



www.ChicagoCorvette.net

1953-62 Catalog

FEBRUARY 2012

TABLE OF CONTENTS

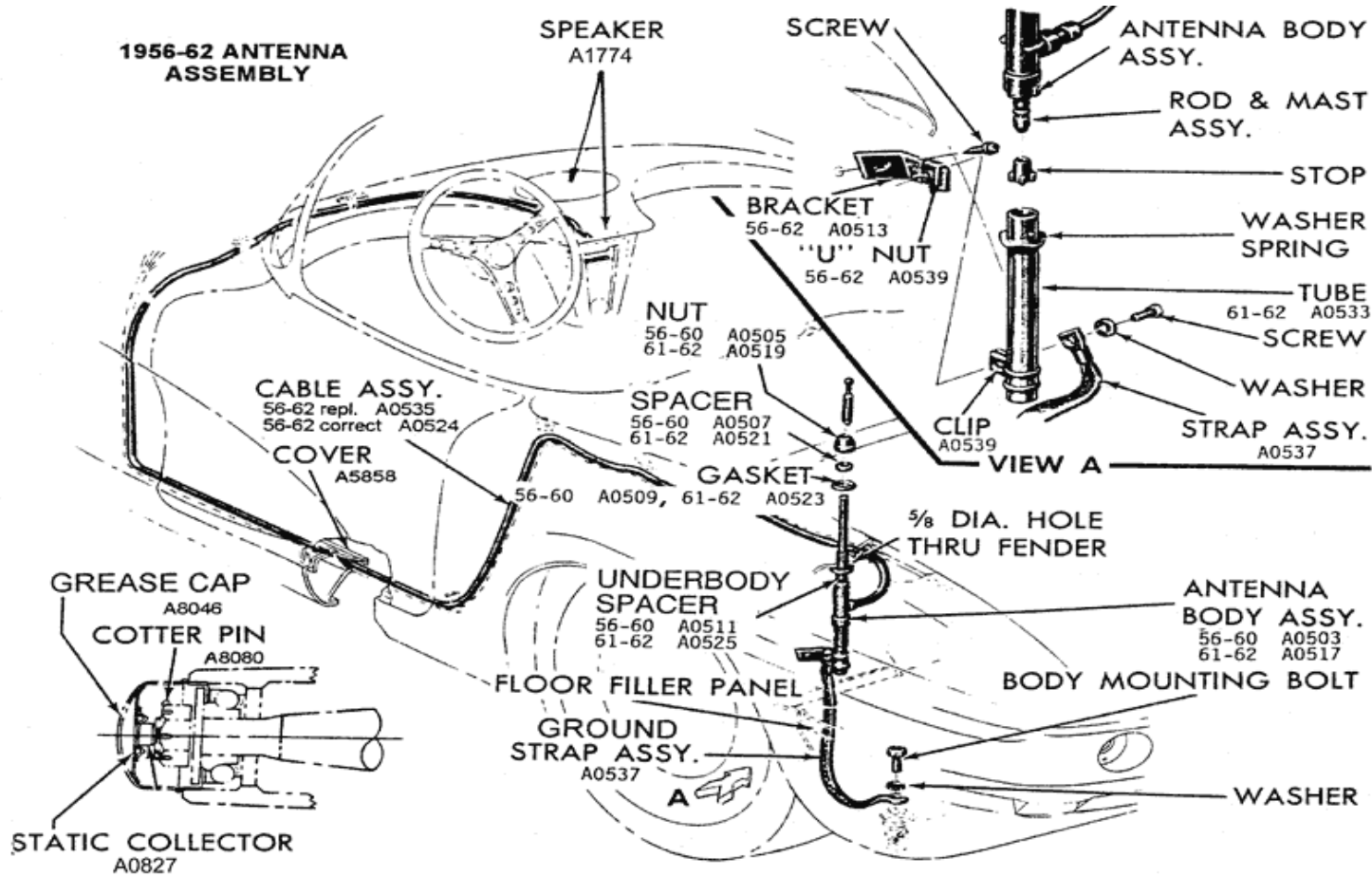
ANTENNA.....	1	GASKETS, SEAL SETS, & RELATED.....	57
BATTERIES, TRAYS, CABLES, & RELATED ACCESSORIES.....	1	GAUGES, GAUGE BEZELS & LENSES.....	58
BODY MOUNTING & REINFORCEMENTS.....	2	GLOVE BOX.....	59
BOOKS, MANUALS & SALES BROCHURES.....	3	GRILLE & GRILLE AREA.....	59
BRAKE SYSTEM, PARKING BRAKE & RELATED PARTS.....	3	HEATER.....	60
BUMPER & BUMPER MOUNTING.....	8	HOOD.....	62
CABLES with HOUSINGS & RELATED.....	10	INTERIOR.....	64
CLOCKS.....	10	LICENSE ASSEMBLY / FRONT & REAR.....	72
CLUTCH.....	11	LIGHTS, LAMPS & RELATED.....	73
CONSOLE.....	12	LOCKS & RELATED.....	75
COOLING SYSTEM.....	13	MIRRORS.....	76
COWL VENT & RELATED.....	15	RADIO & RELATED.....	76
DECALS, INSTRUCTIONS & LABELS.....	15	REAR END.....	78
DECK LID.....	17	SHIFTER.....	79
DOOR: INTERNAL & EXTERNAL, DOOR JAM, HINGE PILLAR, POWER WINDOWS.....	18	STEERING COLUMN.....	80
EMBLEMS.....	22	STEERING WHEEL.....	81
ENGINE ASSEMBLY & COMPONENTS: AIR CLEANERS, ALTERNATORS, BLOCKS, CARBURETORS, DISTRIBUTORS, FUEL PUMPS, HEADS, IGNITION SHIELDING, STARTERS, VALVE COVERS, WATER PUMPS & MORE.....	23	SUSPENSION - FRONT & REAR.....	81
ENGINE COMPARTMENT: SPLASH SHIELDS, HORN SYSTEM, GROMMETS, TIE STRAPS.....	46	SWITCHES & RELATED COMPONENTS-REPLACEMENT & NOS.....	86
EXHAUST.....	48	TOOLS.....	88
EXTERIOR TRIM & MOLDINGS.....	49	TOP ASSEMBLIES & RELATED PARTS.....	89
FIBERGLASS.....	50	TRANSMISSION.....	92
FRAME.....	55	TRUNK, JACKS & RELATED.....	93
GAS DOOR, GAS TANK, & LINES-GAS TANK TO FUEL PUMP.....	55	WEATHERSTRIP.....	94
GAS PEDAL & OTHER PEDAL PADS.....	56	WHEELS, TIRES & HUBCAPS.....	96
		WINDSHIELD FRAME & COMPONENTS.....	98
		WINDSHIELD WIPER SYSTEM.....	98
		WINDSHIELDS, WINDOWS & GLASS.....	100
		WIRE HARNESSSES, FLASHERS & FUSES.....	100

SEE NEXT PAGE FOR DETAILED INDEX

INDEX

2X4 CARBURETORS.....	31	DOOR HINGE.....	19	HOODS.....	50, 62	SHOCKS - FRONT.....	83
A-ARMS, FRONT SUSPENSION.....	81	DOOR LOCK KNOB.....	66	HORN BUTTONS.....	22, 81	SHOCKS - REAR.....	85
ACCELERATOR ARM.....	26	DOOR MOLDINGS.....	21	HORN RELAYS.....	46, 87	SILL PLATES.....	19, 70
ACCELERATOR PEDAL.....	55, 56	DOOR PANEL.....	67	HORN SYSTEM.....	46	SOFT TOP.....	89
ACCELERATOR RODS.....	27	DOOR PANEL TRIM.....	12, 66	HOSE CLAMPS.....	15	SPARE TIRE COVER.....	93
ACCELERATOR SPRINGS, BRACKETS.....	27	DOOR SILL PLATES.....	19, 70	HOSES - EXPANSION TANK OVERFLOW.....	13	SPARK PLUGS & WIRES.....	41
AFB CARBURETOR.....	28	DRIVE SHAFT.....	85	HOSES - HEATER.....	61	SPEAKERS.....	77
AIR CLEANER SYSTEMS.....	35	DRUMS & SHOES.....	4	HOSES - RADIATOR.....	15	SPEED NUTS - EMBLEMS.....	23, 49
ANTENNA.....	1	DUAL QUAD CARBURETORS.....	31	HUBCAPS.....	96	SPEEDOMETER CABLES.....	10
ARM RESTS-DOOR.....	60, 64	DUCTS - HEATER.....	61	IDLER PULLEYS.....	44	SPINDLE - FRONT WHEEL.....	83
ASH TRAY.....	12, 66	DYE, INTERIOR.....	69	IGNITION SHIELDING.....	17	SPLASH SHIELDS.....	46, 96
AXLE.....	84	EMBLEMS.....	22	IGNITION SWITCHES, NUTS & LOCKS.....	87	SPRING - REAR LEAF.....	86
BACKING PLATES - BRAKE DRUMS	4	EMERGENCY BRAKE - see Parking Brake.....	7	IGNITION SYSTEM.....	35	STARTER SOLENOIDS - ORIGINAL	44, 87
BATTERIES.....	1	ENGINE ASSEMBLY COMPONENTS	24	IGNITION WIRES.....	41	STARTERS & RELATED.....	44
BATTERY CABLES.....	1	ENGINE BELTS.....	24	INSTRUCTIONS.....	15	STEERING COLUMNS & BOX.....	80
BATTERY TRAYS.....	2	ENGINE BLOCKS & RELATED.....	24	INSULATION - FIREWALL.....	67	STEERING WHEEL.....	81
BEARINGS - FRONT SPINDLE.....	4, 83	ENGINE MOUNTS.....	42	INTAKE MANIFOLD & RELATED.....	42	SUN VISORS.....	70
BEARINGS - REAR AXLE.....	84	EXHAUST HANGERS.....	48	INTERIOR KITS / PACKAGES.....	68	SUSPENSION - FRONT.....	81
BELL HOUSINGS & BOLTS.....	11	EXHAUST MANIFOLDS, BOLTS & STUDS.....	25	INTERIOR MOLDINGS.....	12, 64	SUSPENSION - REAR.....	84
BELTS - ENGINE.....	24	EXHAUST PIPES.....	48	INTERIOR SCREW SETS.....	68	SUSPENSION BUMPERS.....	85
BLOWER MOTOR - HEATER.....	61	EXHAUST SYSTEM.....	48	JACK.....	93	SUSPENSION BUSHINGS.....	84, 86
BODY MOUNT & REINFORCEMENTS.....	2	EXHAUST SYSTEM CHART.....	48	JACK HANDLE.....	93	SUSPENSION KITS.....	83
BRAKE BLOCKS & HOSES.....	3, 6	EXPANSION TANK.....	13	KICK PANELS.....	68	SWAY BAR - FRONT.....	84
BRAKE DRUMS.....	4	EXTERIOR TRIM - FRONT & FENDER TOP.....	49, 73	KNOBS - WINDSHIELD WIPER.....	65	SWAY BAR - REAR.....	86
BRAKE KITS.....	5, 6	EXTERIOR TRIM - PASSENGER COMPARTMENT.....	21, 49	LABELS.....	4	SWITCHES.....	34, 77, 86
BRAKE LINES.....	5	EXTERIOR TRIM - REAR.....	49	LICENSE AREA - FRONT.....	72	T3 HEADLIGHT BULBS.....	73
BRAKE PEDAL PADS.....	6, 12, 56	EXTERIOR TRIM - SIDE.....	49	LICENSE AREA - REAR.....	72	TACH DRIVE UNITS.....	35
BRAKE SYSTEM - HEAVY DUTY.....	5	FAN BELTS.....	24	LIGHTS.....	65	TACHOMETER.....	58
BRAKE UPGRADES & CONVERSIONS.....	5	FAN ENGINE.....	13	LOCKS - DOOR, GLOVE COMPARTMENT, IGNITION.....	18, 75	TACHOMETER CABLES.....	10
BREATHER TUBE - ENGINE.....	44	FASTENER KITS-INTERIOR.....	68	MASTER CYLINDERS.....	6	TAIL PIPE BEZELS.....	9
BULB KITS & BULBS.....	73, 100	FIBERGLASS.....	50	MIRRORS - EXTERIOR.....	57, 76	TEMPERATURE SENDERS.....	15, 87
BULBS - HEADLIGHT.....	73	FILTER - OIL.....	43	MIRRORS - INTERIOR.....	76	THERMOSTATS & HOUSINGS.....	15, 42
BUMPERS & BRACES/FRONT.....	8	FIREWALL - FIBERGLASS.....	53	MOLDING - SIDE BODY.....	49	TIE ROD ENDS.....	84
BUMPERS & BRACES/REAR.....	9	FIREWALL GROMMETS/SEALS.....	46, 58, 61	MOLDINGS - PASSENGER COMP	18, 59	TIE STRAP KITS.....	46, 99, 104
CABLES - HOOD.....	62	FIREWALL INSULATION.....	67	MOLDINGS - REAR BODY.....	49	TIMING CHAIN, COVERS & BOLTS	45
CABLES - PARKING BRAKE.....	7	FITTINGS - INTAKE.....	42, 61	MOLDINGS - TOP FENDER.....	49, 73	TIRES.....	97
CABLES - SPEEDOMETER & TACHOMETER.....	10	FLASHERS / TURN SIGNALS.....	86, 100	MOTOR - POWER WINDOW.....	18	TOOLS.....	1, 15, 88
CAM ENGINE.....	24	FLOOR MATS.....	67	MOTOR MOUNTS.....	43	TRANSMISSION - GEARS, TAGS.....	92
CAPACITORS - RADIO.....	77, 86	FLOOR PLUGS.....	64	NEUTRAL SAFETY SWITCH.....	87, 93	TRANSMISSION MOUNTS.....	92
CARBURETOR - CARTER "AFB".....	28	FLYWHEEL.....	11	OIL CANASTERS, FILTER & VALVES	24, 43	TRUNK.....	93
CARBURETOR - CARTER "WCFB"	28	FRAME.....	55	OIL FILL TUBES & CAPS.....	43	TRUNK LINER / MATS.....	71
CARBURETOR - CARTER "YH".....	32	FRAME SECTIONS & BRACKETS.....	55	OIL LINES.....	43	TRUNK MOULDINGS 1958.....	49, 94
CARBURETOR LINKAGE.....	27	FRENCH LOCKS.....	25	OIL PANS.....	43	U-JOINTS.....	85
CARBURETOR RESTORATION.....	29	FRESH AIR HOSE.....	61	OIL SYSTEM.....	43	VACUUM ADVANCE.....	38
CARBURETOR TAGS.....	27	FUEL FILTERS & BRACKETS.....	26	P/POSI CASE - REAR END.....	78	VACUUM ADVANCE LINES.....	42
CARBURETORS - WCFB.....	28	FUEL HOSES.....	56	PAINTS & DYES.....	69	VACUUM STUD INTAKE.....	26, 42
CARPET.....	64	FUEL INJECTION.....	33	PARKING BRAKE.....	7	VALVE COVER BOLTS.....	45
CARPET SUPPORTS/WIRE COVERS	64, 103	FUEL LINES - PUMP TO CARB.....	34	PARKING LAMPS.....	74	VENT AREA (COWL).....	15
CHOKE TUBES.....	32	FUEL LINES - TANK TO PUMP.....	56	PCV SYSTEM.....	44	VOLTAGE REGULATORS.....	35
CLEAN AIR TUBES.....	32	FUEL PUMPS.....	33	PEDAL - BRAKE.....	6	WASHER JAR/WINDSHIELD WIPERS.....	99
CLOCKS.....	10	FUEL SENDING UNIT IN TANK.....	56	PEDAL PADS - BRAKES & CLUTCH	6, 12, 56	WATER PUMP & FITTINGS.....	45
CLUTCH - PEDAL TO FIREWALL.....	11	FUEL TANKS.....	56	POWER TOP.....	90	WCFB CARBURERETOR.....	28
CLUTCH LINKAGE-ENGINE	11	FUSE BLOCK & RELATED.....	100	POWER WINDOW SYSTEM.....	22	WEATHERSTRIP CLIPS.....	46, 96
COMPARTMENT.....	21, 49	FUSES.....	87, 100	POWERGLIDE TRANSMISSION.....	92	WEATHERSTRIPS.....	94
COLOR CHARTS - INTERIOR.....	64	GAS DOOR.....	55	PULLEYS.....	44	WHEEL BEARING - FRONT.....	4, 83
CONSOLE-3 SPEED.....	12	GAS PEDALS.....	55, 56	RADIATOR.....	13	WHEEL BEARING - REAR.....	84
CONSOLE-4 SPEED.....	12	GASKETS.....	57	RADIATOR CAPS.....	13, 14	WHEEL CYLINDERS.....	6
CONSOLE-AUTOMATIC.....	12	GASKETS - CARBURETOR TO INTAKE.....	26	RADIATOR COMPONENTS.....	13	WHEELS.....	98
CONVERTIBLE TOP & HARDWARE	89	GAUGES - DASH.....	58	RADIATOR CORE SUPPORTS.....	14	WINDOW CHANNELS.....	20
CONVERTIBLE TOP CANVAS.....	89	GENERATOR & RELATED.....	34	RADIATOR CORE HOSES.....	15	WINDOW CRANKS.....	66
COURTESY LIGHTS.....	64, 74	GLASS / WINDOWS.....	100	RADIATOR OVERFLOW TANKS.....	13	WINDOW GLASS.....	100
COWL VENT.....	15	GLOVE BOX.....	59, 75	RADIATOR SEALS.....	14	WINDSHIELD FRAME.....	98
CRANKCASE VENT TUBES.....	44	GRILLE.....	59	RADIATOR SHROUD.....	14	WINDSHIELD WASHERS/VACUUM CANNISTER.....	99
CROSS GEAR - DISTRIBUTOR.....	39	GROMMETS.....	46, 58, 61	RADIOS.....	76	WIPER MOTOR RESTORATION.....	100
DASH CLUSTER.....	65	GROUND STRAPS.....	35, 77, 101	REAR END.....	78	WIPER MOTORS.....	100
DASH PADS.....	64	HARD TOP & MOUNTING	17, 90	REAR END REBUILD KITS.....	78	WIRE TIE STRAPS & CLIPS.....	46, 99, 104
DECALS, INSTRUCTIONS & LABELS	15	HARDWARE.....	17, 90	RING & PINION.....	78	WIRING DIAGRAMS.....	104
DECK LID.....	17	HARMONIC BALANCERS.....	35, 44	RIVETS.....	2	WIRING HARNESSSES.....	36, 100
DIFFERENTIAL.....	78	HEAD BOLTS & GASKETS.....	24	ROAD DRAFT TUBE.....	44	YH CARBURETOR.....	32
DIMMER SWITCH GROMMET.....	64	HEADLIGHTS & SYSTEMS.....	73	ROCKER PANEL MOLDINGS.....	49	YOKE - REAR END.....	79
DIPSTICKS & TUBES-OIL.....	43	HEADLINERS.....	67	RODS - NOSE & GRILLE.....	3, 46, 60	YOKE - TRANSMISSION.....	85, 93
DISTRIBUTORS.....	36	HEADS.....	35	SEALS - SPINDLE/FRONT.....	83		
DOOR - HINGE PILLAR.....	19	HEAT RISER.....	25	SEAT BELTS & RETAINER.....	70		
DOOR GLASS / WINDOWS.....	100	HEATER BOX - INNER & OUTER.....	61	SEAT COVERS.....	69		
		HEATER CONTROL BEZEL.....	12, 60, 64	SHIFTER & LINKAGE.....	79		
		HEATER CONTROLS.....	60	SHIFTER BOOTS.....	12		
		HEATER CORE.....	61	SHIFTER KNOB.....	79		
		HEATER KNOBS.....	60	SHIFTER TUNNEL/FIBERGLASS.....	12, 50, 54, 92		

ANTENNA



A0504	56-60	ANTENNA ASSEMBLY - w/hardware-w/rings at tip by ball	115.00
A0503	56-60	ANTENNA ASSEMBLY - w/hardware-w/no rings at tip by ball	115.00
A0517	61-62	ANTENNA ASSEMBLY - w/hardware	119.95
A0513	56-62	BRACKET - antenna, lower support (rivets to rear inner fender)	8.45
A0508	56-62	BRACKET - rear wire harness & antenna cable under deck lid, long	6.95
A0510	56-62	BRACKET - rear wire harness & antenna cable under deck lid, short	5.75
A0524	56-62	CABLE ASSEMBLY - antenna, w/correct serrated nut	19.95
A0539	56-62	CLIP, BOLT & NUT - antenna support bracket in trunk (NOS clip)	6.90
A0509	56-60	GASKET - antenna mounting	1.65
A0523	61-62	GASKET - antenna mounting	3.50
A0537	56-62	GROUND STRAP - antenna (included in radio ground strap kit)	10.35
A0562	61-62	INSERT/RETAINER - lower section antenna, allows telescoping action, NOS	12.00
A0506	61-62	LOCK WASHER - lower antenna tube	2.95
A0515	56-60	MOUNT KIT - antenna (3 pc) includes A0505, A0507, A0509	19.25
A0529	61-62	MOUNT KIT - antenna (3 pc) includes A0519, A0521, A0523	19.50
A0505	56-60	NUT - antenna	11.35
A0519	61-62	NUT - antenna	10.25
A0500	56-60	NUT - antenna, inner, metal	3.05
A0507	56-60	SPACER - antenna mounting	5.95
A0521	61-62	SPACER - antenna mounting	8.65
A0511	56-60	SPACER - antenna mounting, under body	13.65
A0525	61-62	SPACER - antenna mounting, under body, NOS	
		W/'WARD' LOGO	16.50
A0533	61-62	TUBE - antenna, w/lock washer, lower	16.85

BATTERIES, TRAYS, CABLES, & RELATED ACCESSORIES

Batteries & Related

The tar top batteries below represent the finest & most correct batteries available anywhere, at any price! They are drop shipped from the factory - prepaid. The batteries are shipped dry. The purchaser must buy and install acid. NO COD's. All batteries carry a 4-year pro-rated warranty.

A0759	53-54	BATTERY - 6 volt, replacement, (Delco not in circle)	229.00
A0727	53-54	BATTERY - Delco tar top #G1, 6 volt	429.00
A0760	55	BATTERY - Delco tar top GM #1890488	235.95
A0761	56	BATTERY - Delco tar top GM #1890587	235.95
A0762	57-59	BATTERY - Delco tar top GM #2SMR53 10/56 - 1/59	235.95
A0763	59-60	BATTERY - Delco tar top GM #2SMR53 2/59 - 8-60	235.95
A0765	61	BATTERY - Delco tar top GM #1980458	235.95
A0766	62	BATTERY - Delco tar top GM #1980458	235.95
A0701	53-54	CAP SET - 6 volt battery, correct (3 pc)	40.25
A0767	55-62	DATING SERVICE - on A0760-A0766 batteries	25.00

NOTE: All batteries were dated from the factory. For example, 8CV (year, month, factory) stands for 58, March, Olath factory.

A0790	53-62	MAT - battery / prevent corrosion	7.25
-------	-------	-----------------------------------	------

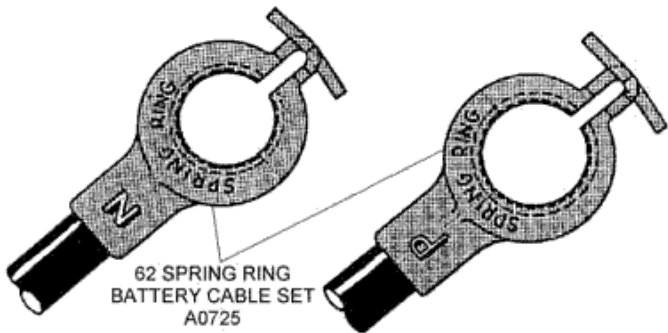
NOTE: A0790 Battery Mat is made of an absorbing and acid neutralizing material designed for use under any lead acid battery. Helps protect the battery box and surrounding area.

A8313	62	PLIERS - battery cable, spring-ring removal	42.45
A8319	53-62	PULLER - battery cable end, standard	3.95

Battery Trays, Cables & Related Accessories

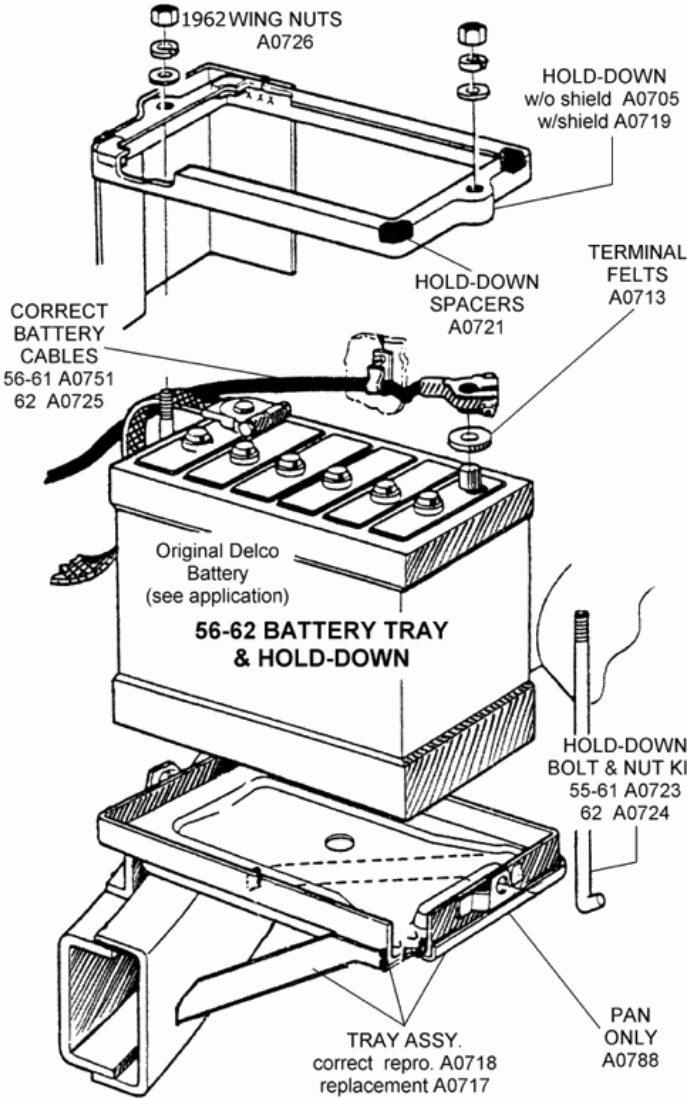
A0707	53-55	BOLT & NUT KIT - battery hold down	9.25
A0723	56-61	BOLT & NUT KIT - battery hold down (6pc)	15.75
A0724	62	BOLT & NUT KIT - battery hold-down	9.50
A0709	53-61	CABLE - battery, ground (replacement)	17.25
A0711	56-61	CABLE - battery, positive (replacement)	10.95
A0751	55-61	CABLE SET - battery, correct, (pr)	78.00



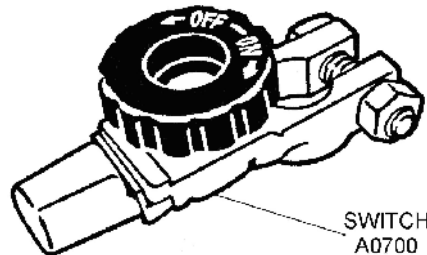


62 SPRING RING
BATTERY CABLE SET
A0725

A0725 62 CABLE SET - battery, spring ring design (pr)87.45



A0713 56-62 FELT SET - battery terminals (pr)2.75
 A0722 53-55 HOLD-DOWN - battery25.75
 A0719 56-62 HOLD-DOWN - battery, w/shield (OEM style) ...28.00
 A0705 56-62 HOLD-DOWN KIT - battery, w/o shield, (includes bolts)15.55
 A0788 56-62 PAN - battery tray (correct)55.00
 A0721 55-62 SPACER SET - battery hold-down (4 pc)4.80



A0700 53-62 SWITCH - battery disconnect, top post style battery13.25
 A0703 53-55 TRAY - battery (6 volt battery)66.50

A0718 55-62 TRAY - battery, w/legs, correct reproduction79.95
 A0714 55-61 TRAY KIT - battery (tray, hold-downs, bolts w/A0718 tray)119.95
 A0731 62 TRAY KIT - battery (correct tray, hold-downs, bolts w/A0718 tray)109.95
 A0726 62 WING NUT SET - battery hold-down (as original on 62s), pr.2.15

BODY MOUNTING & REINFORCEMENTS

A0901 53-57 BODY MOUNT KIT - w/radiator mounting hardware79.95
 A0905 58-62 BODY MOUNT KIT - w/radiator mounting hardware74.95

NOTE: Body Mount Kits (A0901 & A0905) contain all required cushions, shims, generic bolts, nuts, and washers.

A0906 53-62 BOLT SET - body to frame, 'TR' head mark (10 pc) (TR bolts are not included in kits A0901 or A0905)21.55
 A0564 56-62 BOLT SET - body to frame, 'UR' head mark, (10pc)25.65
 A0912 58-62 BOLT SET - nose support rods, 'TR' head mark (2 pc)6.75
 A0969 56-62 BRACKET SET - front body mount reinforcement, (pr)52.00
 A0904 58-62 BRACKET SET - nose support rods, w/rivets (pr)14.95
 A0970 56-62 BRACKET SET- rear body mount reinforcement, (pr)51.00
 A2070 53-62 MOUNTING KIT - radiator support, lower, w/2 carriage bolts16.95

NOTE: A2070 is included in A0901 & A0905.

A5759 61-62 MOUNTING PLATE - under body, seat front, LH, (2 req), (ea)10.00
 A5760 61-62 MOUNTING PLATE - under body, seat front, RH, (2 req), (ea)10.00
 A0976 53-62 PAD SET - body mount, ribbed rubber (8 pc) ..14.95
 A0565 60-62 REINFORCEMENT - inside rear, steel located at base of door striker pillar (steel), LH ..23.00
 A0566 60-62 REINFORCEMENT - inside rear, steel located at base of door striker pillar (steel), RH ..23.00
 A0995 58-62 REINFORCEMENT - seat belt, inside LH, w/rivets & stud22.00
 A0994 56-57 REINFORCEMENT - seat belt, inside LH, w/rivets, w/o stud24.00
 A0998 58-62 REINFORCEMENT - seat belt, inside RH, w/rivets & stud22.00
 A0997 56-57 REINFORCEMENT - seat belt, inside RH, w/rivets, w/o stud24.00
 A0996 58-62 REINFORCEMENT - seat belt, w/weld nuts, outside position (2 req) (ea)20.00
 A0956 56-59 REINFORCEMENT SET - front body mount, w/straps, alum. (pr)59.00
 A0962 60-62 REINFORCEMENT SET - front body mount, w/straps, steel (pr)59.00
 A0990 56-57 REINFORCEMENT SET - lower inner fender to cowl, metal (pr)49.50
 A0991 58-62 REINFORCEMENT SET - lower inner fender to cowl, metal (pr)58.30
 A0958 56-59 REINFORCEMENT SET - rear body mount, aluminum (pr)36.00
 A0930 56-57 REINFORCEMENT SET - upper inner fender to cowl, metal (pr)49.50
 A0932 58-59E REINFORCEMENT SET - upper inner fender to cowl, metal (pr)49.50
 A0933 59L-62 REINFORCEMENT SET - upper inner fender to cowl, metal (pr)58.30
 A6926 56-62 RETAINER - door striker nut plate, 3 hole (behind hinge pillar)17.95
 A0971 61-62 RETAINER PLATE - under body front seat, LH ..8.40
 A0972 61-62 RETAINER PLATE - under body front seat, RH ..8.40
 A5708 53-62 RETAINER PLATE - w/weld nut, seat hold down (56-60 req. 14, 61-62 req. 6 (ea)6.00
 A5710 56-60 RETAINER PLATE KIT - seat hold down, front & rear (14 pc)54.25
 A5712 61-62 RETAINER PLATE KIT - seat hold down, rear (6 pc)23.85
 A0915 61-62 RETAINER PLATE KIT - under body (18 pc)94.95

NOTE: Under body retainer plate kits include plates necessary for seat hold-down, trunk hinges, gas tank strap plates with weld nuts, gas tank strap retainer, and outer seat belt plates with rivets.

A0913 56-60 RETAINER PLATE KIT - under body (22 pc)99.95
 A3910 56-62 RETAINER SET - gas tank straps, front, (pr) .13.80
 A3909 56-62 RETAINER/NUT PLATE - rear under body gas tank strap, rear8.25
 A0909 53-62 RIVET SET - body assembly, counter sunk flat head, aluminum (25 pc)5.95
 A0911 53-62 RIVET SET - body assembly, round head, aluminum (25 pc)5.95

BOOKS, MANUALS & SALES BROCHURES

Assembly Manuals

L0084	56-57	MANUAL - Corvette assembly	19.95
L0085	58	MANUAL - Corvette assembly	19.95
L0086	59	MANUAL - Corvette assembly	19.95
L0087	60	MANUAL - Corvette assembly	19.95
L0088	61	MANUAL - Corvette assembly	19.95
L0089	62	MANUAL - Corvette assembly	19.95

Carburetors and Fuel Injection

L0137	SERVICING THE 1957 CORVETTE ENGINE & R.P.O. EQUIPMENT	12.95
L0140	HOW TO BUILD THE SMALL BLOCK CHEVROLET	33.45

Judging Manuals

L0300	53-55	MANUAL - NCRS Corvette Judging, 4th edition, 97 pages	42.95
L0301	56-57	MANUAL - NCRS Corvette judging, 3rd edition, 111 pages	42.95
L0302	58-60	MANUAL - NCRS Corvette judging, 3rd edition, 120 pages	42.95
L0303	61-62	MANUAL - NCRS Corvette judging, 4th edition, 125 pages	42.95

Miscellaneous

L0153	53-67	1953-67 NCRS CORVETTE SPECIFICATION GUIDE	20.65
-------	-------	---	-------

Owner's Manuals

L0001	53-55	MANUAL - Corvette owner's	9.25
L0002	56	MANUAL - Corvette owner's	9.25
L0003	57	MANUAL - Corvette owner's	9.25
L0004	58	MANUAL - Corvette owner's	9.25
L0005	59	MANUAL - Corvette owner's	9.25
L0006	60	MANUAL - Corvette owner's	9.25
L0007	61	MANUAL - Corvette owner's	9.25
L0008	62	MANUAL - Corvette owner's	9.25

Restoration Guides

L0205	53-62	RESTORATION & TECHNICAL GUIDE, VOLUME 1	110.30
L0208	53-72	CORVETTE CHASSIS RESTORATION GUIDE	33.05
L0237	54	CHEVROLET SERVICE NEWS - APRIL & MAY 1954	5.00

Sales Brochures

L0253	53	SALES BROCHURE - Corvette	9.95
L0254	54	SALES BROCHURE - Corvette	9.95
L0252	55	SALES BROCHURE - Corvette	9.95
L0256	56	SALES BROCHURE - Corvette	9.95
L0257	57	SALES BROCHURE - Corvette	9.95
L0258	58	SALES BROCHURE - Corvette	9.95
L0259	59	SALES BROCHURE - Corvette	9.95
L0260	60	SALES BROCHURE - Corvette	9.95
L0261	61	SALES BROCHURE - Corvette	9.95
L0262	62	SALES BROCHURE - Corvette	9.95

Servicing the Corvette

L0242	TURBO HYDRA-MATIC 350 HANDBOOK	18.75
-------	--------------------------------	-------

BRAKE SYSTEM, PARKING BRAKE & RELATED PARTS

Brake Blocks, Hoses & Line Clips

A1126	53-62	BLOCK - brake line at master cylinder (use w/A1127 & A1060)	18.00
A1128	56-62	BLOCK - brake line, LH, front	18.00
A1130	56-62	BLOCK - brake line, RH, front	18.00
A1132	56-62	BLOCK - brake line, RH, rear axle	18.00

RIVET SET
A0911
A0914

RIVET SET
A0909

A0914 56-62 RIVET SET - round head, 1/8"x3/8", GM #455622 aluminum (25 pc)4.05

A0900 58-62 ROD SET - nose support (pr)24.95

REINFORCEMENTS (pr)
58-59 LH A0958
60-62 LH A0964

REAR

BODY MOUNT BRACKET

BODY MOUNTING and REINFORCEMENTS

FRONT

FRONT BODY MOUNT REINFORCEMENTS W/STRAP (pr)
58-59 A0956
60-62 A0962

"TR" BOLT SET
A0906

UNDER BODY

UNDERBODY

RUBBER PADS

FRAME ASSEMBLY

SHIM SET - METAL
A0927

CARDBOARD SHIM SET
A0927

FRAME ASSEMBLY

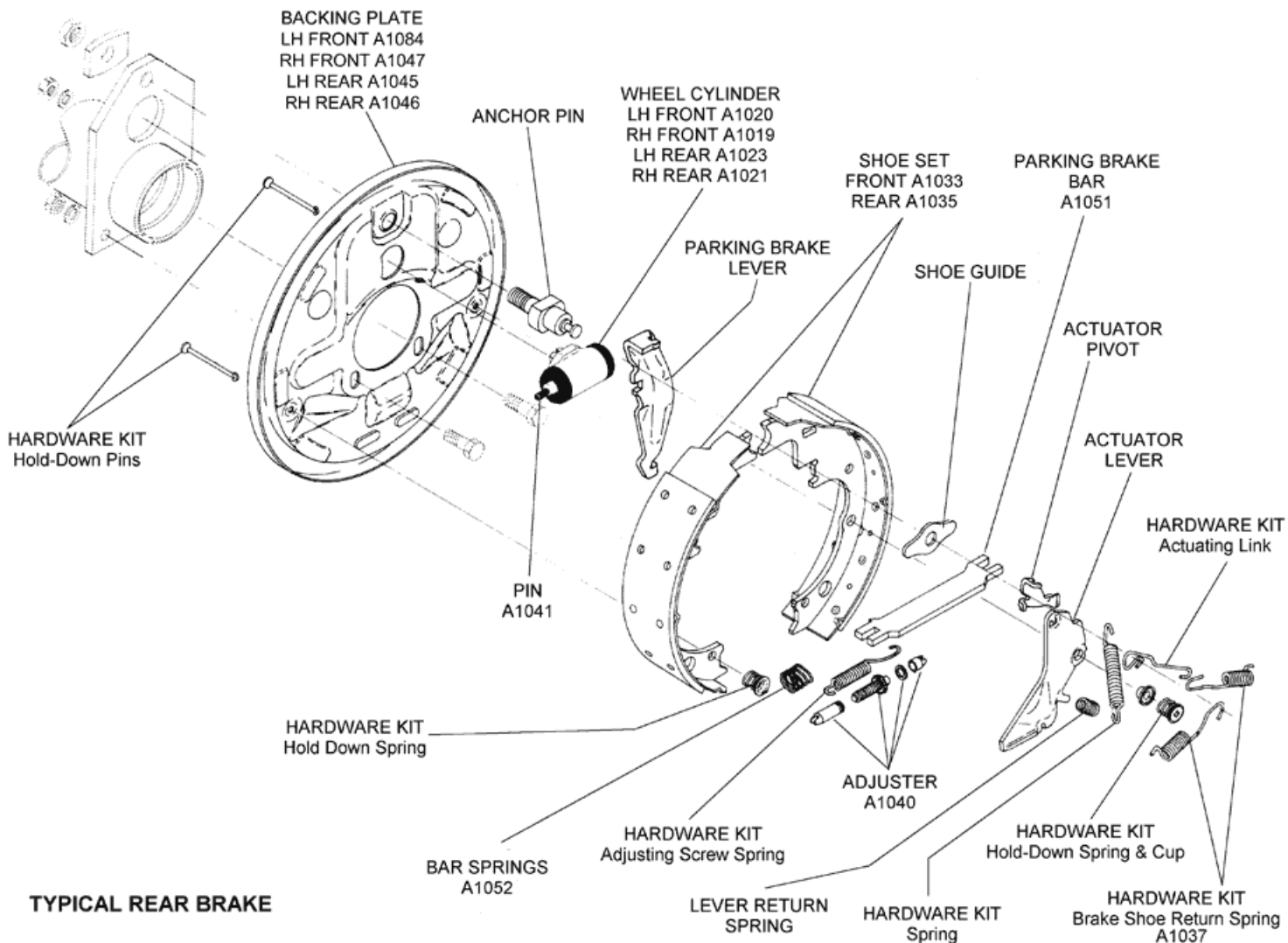
A8564 56-62 SHIELD - drive shaft, under body on fiberglass transmission tunnel cover, must be riveted in place51.00

A0974 53-62 SHIM SET - body mount, cardboard (10 pc)21.00

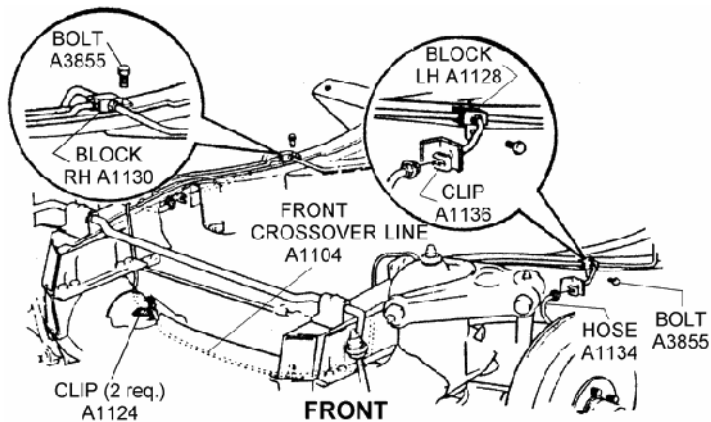
A0927 56-62 SHIM SET - body mount, metal (12 pc)21.00

VISIT US ON THE WEB AT
www.ChicagoCorvette.net

Quality - Service - Price
We have it all. Give us a call.



TYPICAL REAR BRAKE

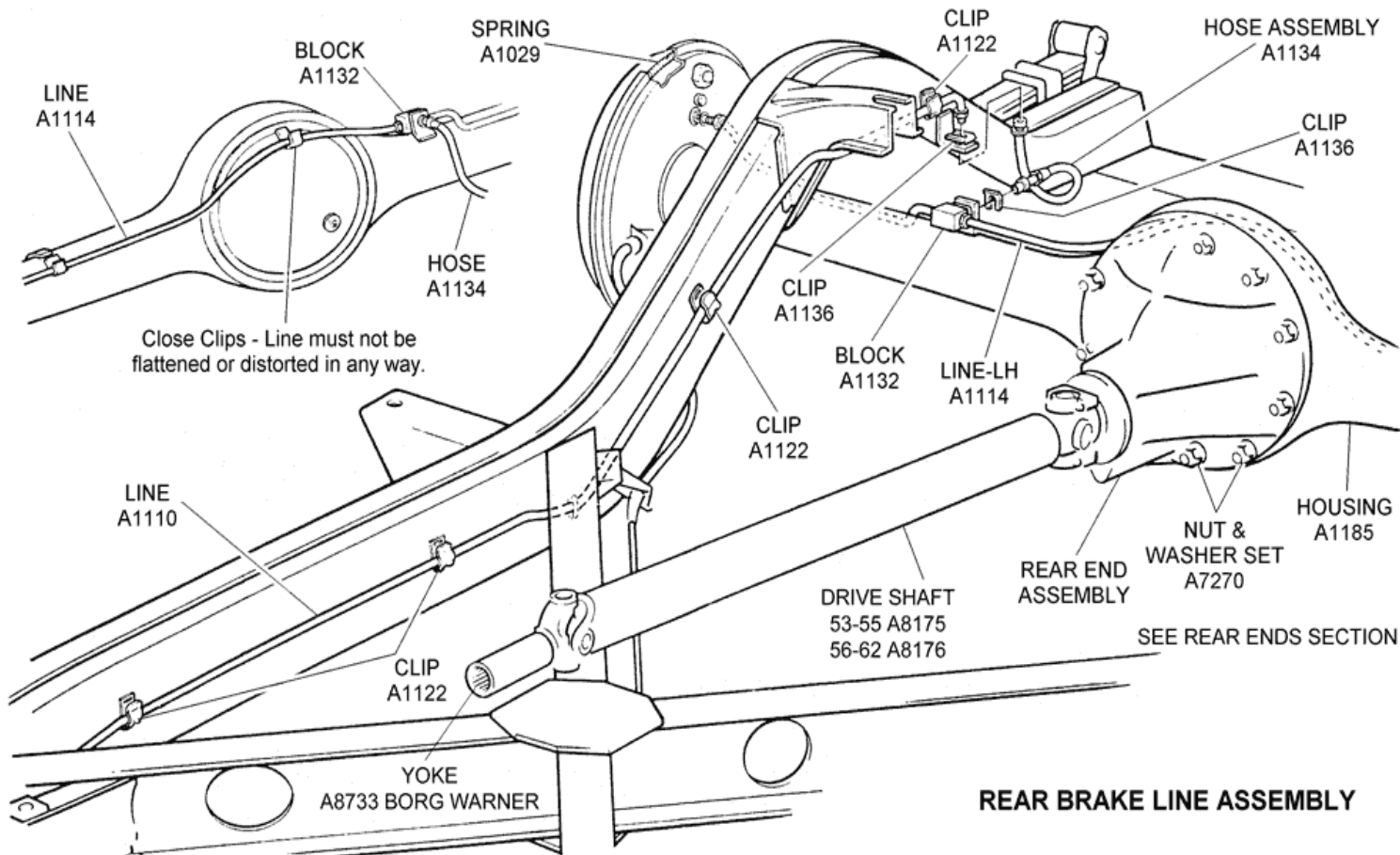


FRONT

A1127 53-62	BOLT - brake block to master cylinder	5.50
A3855 56-62	BOLT SET - front brake line block to frame, 'LG' head mark (4 pc)	4.65
NOTE: A3855 is used for brake line clips or blocks to frame.		
A1136 53-62	CLIP - brake hose, 'U' type (3 req), (ea)	1.45
A1122 58-62	CLIP - brake line, along frame rail (56-57 replacement) (5 req), (ea)	4.45
A1138 56L-58	CLIP - double, fuel/brake, along rail, 3/8'	5.25
A1137 56E	CLIP - double, fuel/brake, along rail, 5/16'	4.55
A1120 58-62	CLIP KIT - brake/fuel lines (11 pc)	29.35
A1124 56-62	CLIP set- brake line, front crossover, 1/4' (pr)	7.25
A1134 53-62	HOSE - brake, rubber, front or rear (3 req), (ea)	14.70
B1196 53-62	WASHER - brake hose, copper (2 req), (ea)	1.50
A1060 53-62	WASHER SET - master cylinder bolt & block (pr)	5.95

Brake Drums, Backing Plates & Related

A1084 53-62	BACKING PLATE - front, LH, reconditioned specify year	46.75
A1047 53-62	BACKING PLATE - front, RH, reconditioned / specify year	46.75
A1045 53-62	BACKING PLATE - rear, LH, reconditioned / specify year	55.00
A1046 53-62	BACKING PLATE - rear, RH, reconditioned / specify year	55.00
A8042 53-62	BALL BEARING & RACE - front inner wheel, original style	54.80
NOTE: Ball bearings were standard, but roller bearings (see parts A8081, A8082, and A8083) provide larger bearing surfaces for longer life, better stability, and better ride.		
A8040 53-62	BALL BEARING & RACE - front outer wheel, original style	34.95
A8072 53-62	BALL BEARING & RACE KIT - inner & outer bearings (does both sides, 4 pc)	145.95
A1051 53-62	BAR - rear brake shoe spreader (2 req), (ea)	18.00
A1027 53-62	BRAKE DRUM - front or rear replacement, no groove for spring	67.50
A1002 53-62	BRAKE DRUM - front or rear, w/spring groove	129.95
A8046 56-62	CAP - front wheel hub - keeps dust & dirt out of the grease & bearings, 'correct' (ea)	8.55
A8017 56-62	CAP - front wheel hub - keeps dust & dirt out of the grease & bearings, replacement, (ea)	4.50
A1031 56-62	COVER SET - brake shoe adjusting holes (4 pc)	4.95
A1037 53-62	HOLD DOWN HARDWARE KIT - brake shoes, return springs & shoe retainers, star wheels, 2 wheels, front	29.95
A1038 53-62	HOLD DOWN HARDWARE KIT-brake shoes, return springs & shoe retainers, star wheels, 2 wheels, rear	29.95
A1159 53-62	HUB - brake drum, front, reconditioned (original)	100.00
A1162 55-62	PAINT - brake drum, gloss black, chemical resistant, 1loz	6.95
A1041 53-62	PIN - wheel cylinder (8 req. per car, 2 per wheel cylinder), (ea)	5.95



A8310 53-62	PLIERS - brake spring installation/removal	7.95
A1076 56-62	PLUS BRAKE KIT - front & rear	382.95
A0567 53-62	RETAINER - Brake shoes (top/center) (ea)	15.25
A8083 53-62	ROLLER BEARING & RACE - front wheel inner	48.75
A8081 53-57	ROLLER BEARING & RACE - front wheel outer	38.35
A8082 58-62	ROLLER BEARING & RACE - front wheel outer	44.85
A1033 53-62	SHOE SET - front brakes (4 pc)	28.95
A1035 53-62	SHOE SET - rear brakes (4 pc)	37.50
A1029 53-62	SPRING - around brake drum, (coil type) (ea)	12.00
A1052 53-62	SPRING SET - brake shoe spreader bar (1 set required per car, not included w/A1037) (pr) (rear only)	4.50
A1075 56-62	STANDARD BRAKE KIT - front & rear	286.95
A1040 53-62	STAR WHEEL ADJUSTER - brakes, front or rear (ea)	12.60
A1001 53-62	STUD/LUG - on brake drum, wheel mounting (1-5/8' OL)	3.65
A1007 60-62	STUD/LUG - on brake drum, wheel mounting (1-7/8' OL)	2.65
A1077 56-62	SUPER BRAKE KIT - front & rear	569.00
A5305 53-62	TOOL (SPOON) - brake adjusting	9.25
A8321 53-62	TOOL - brake shoe hold-down spring compressing, removal & installation	9.75

Brake Lines & Sets

Brake lines/Stainless Steel

A1105 56-62	BRAKE LINE - front crossover, w/22 bends, (stainless steel)	43.35
A1111 56-62	BRAKE LINE - front to rear brake, (stainless steel)	54.00
A1119 56-62	BRAKE LINE - left front w/spiral armor, (stainless steel)	20.00
A1115 56-62	BRAKE LINE - left rear housing brake, (stainless steel)	29.95
A1121 53-62	BRAKE LINE - master cylinder to 1st brake block, (stainless steel)	23.50
A1117 56-62	BRAKE LINE - right front w/spiral armor, (stainless steel)	20.00
A1113 56-62	BRAKE LINE - right rear housing brake, (stainless steel)	25.05
A1118 56-62	BRAKE LINE SET - complete car, (stainless steel)	144.95
A1147 56-62	SUPER BRAKE LINE KIT - complete, (includes all stainless steel lines, hoses and required clips)	214.95

Brake lines/Standard Steel Tubing (as OEM)

All brake lines are Tinned Bundy Weld (TBW) steel tubing with double inverted flares, pressure tested to 200 PSI, pressed to original shape. Some have spiral armor as indicated.

A1104 55-62	BRAKE LINE - front crossover, w/22 bends	30.00
A1110 54-62	BRAKE LINE - front to rear	44.00
A1108 53-62	BRAKE LINE - left front, w/spiral armor	11.00
A1114 56-62	BRAKE LINE - left rear housing brake	22.00
A1102 53-62	BRAKE LINE - master cylinder to 1st block	16.00
A1106 53-62	BRAKE LINE - right front, w/spiral armor	11.00
A1112 56-62	BRAKE LINE - right rear housing	18.15
A1123 53E	BRAKE LINE SET - complete car	134.15
A1125 53L	BRAKE LINE SET - complete car	134.15
A1101 54	BRAKE LINE SET - complete car	134.15
A1103 55	BRAKE LINE SET - complete car	134.15
A1116 56-62	BRAKE LINE SET - complete car	119.95
A1145 56-62	SUPER BRAKE LINE KIT - (includes all lines, hoses and clips required)	184.00

Brake System

Brake System Upgrades & Conversions

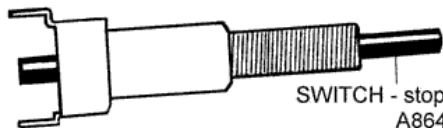
A1100 53-62	CONVERSION KIT - front drum to disc brakes, includes rotors, calipers, brackets, hoses, bearings & more (master cylinder not included)	659.95
A1034 53-62	CONVERSION KIT - master cylinder, converts single master cylinder system to dual master cylinder system, includes bracket, master cylinder	419.95
A1030 53-62	CONVERSION KIT - master cylinder, converts single master cylinder system to dual master cylinder system, includes proportioning valve, bracket lines & master cylinder	595.00

Heavy Duty Components

A1155 59L-62	DUCT/AIR INLET SET - HD brakes, front cooling, behind bumpers, course weave fiberglass (pr)	95.00
A1043 60-62	WHEEL CYLINDER - front, LH, GM casting #5453821, w/HD brakes, NOS	CALL
A1042 60-62	WHEEL CYLINDER - front, RH, GM casting #5453821, w/HD brakes, NOS	CALL
A1036 59-62	WHEEL CYLINDER SET - left and right hand rear, all w/heavy duty Brakes, 7/8' bore, GM casting #5450996, NOS (pr)	695.00

Under Dash / Pedal Bushings & Pads

- A1813 58-62 BRACKET - brake light switch14.50
- A1811 58-62 BRACKET/SUPPORT - brake & clutch pedal, under the dash, used reconditioned107.95
- A1820 56-62 BUMPER - brake pedal & clutch pedal (ea)2.90
- A1139 56-62 BUSHING SET - auto brake pedal (2 pc)9.45
- A4100 58-62 NUT SET - brake light switch, (pr)2.05
- A4106 55-57 PAD - brake pedal and clutch, 3 or 4 speed (ea)5.50
- A4112 58-62 PAD - brake pedal and clutch, 3 or 4 speed (ea)5.20
- A4102 53-57 PAD - brake pedal, automatic transmission ...16.00
- B4114 58-62 PAD - brake pedal, automatic transmission ...6.05
- A1058 58-62 PEDAL ASSEMBLY - brake, 3 or 4 speed (used, reconditioned)76.00
- A1056 56-62 PLATE - brake pedal pull back spring7.00
- A1881 A1881 SHAFT - brake & clutch pedal pivot (used) ...25.00
- A1301 53-62 SPRING - brake pedal return (under dash)7.00
- A8615 53-57 SWITCH - stop/brake light, w/bracket, under dash59.95



SWITCH - stop/brake light
A8641

- A8641 58-62 SWITCH - stop/brake light, w/metal housing, GM #1993509, NOS / NEW39.95
- A8626 58-62 SWITCH - stop/brake light, under dash, replacement9.25

Brake System Kits

1956-62 BRAKE SYSTEM KITS

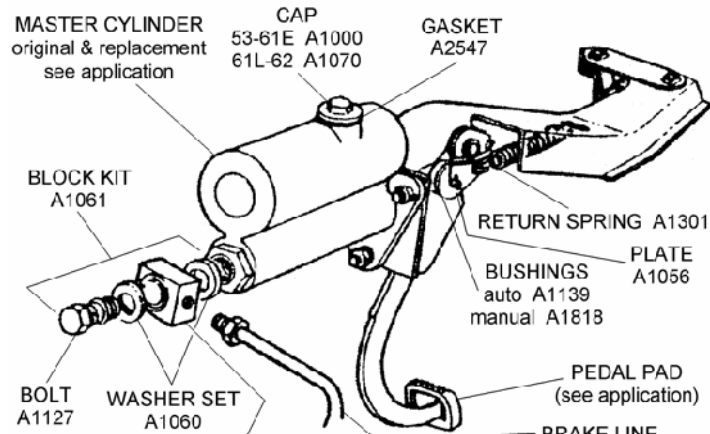
A1075	56-62	STANDARD BRAKE KIT			
A1076	56-62	"PLUS" BRAKE KIT			
A1077	56-62	"SUPER" BRAKE KIT			
A1040		ADJUSTER KIT - brake shoes	4	4	4
A1024		BRAKE FLUID - quart	2	2	2
A1031		COVER SET - brake shoe adjuster hole (4pc)	1	1	1
A1027		DRUM - brake (replacement style)	4		
A1037		HOLD DOWN KIT - brake shoe, front / rear	2	2	2
A1134		HOSE - brake	3	3	3
A1003		MASTER CYLINDER	1	1	
A1033		SHOE SET - front	1	1	1
A1135		SHOE SET - rear	1	1	1
A1136		"U" CLIP - brake hose	3	3	3
A1020		WHEEL CYLINDER - LH front	1	1	1
A1019		WHEEL CYLINDER - RH front	1	1	1
A1023		WHEEL CYLINDER - LH rear	1	1	1
A1021		WHEEL CYLINDER - RH rear	1	1	1

- A1076 56-62 PLUS BRAKE KIT - front & rear382.95
- A1075 56-62 STANDARD BRAKE KIT - front & rear286.95
- A1077 56-62 SUPER BRAKE KIT - front & rear569.00

Master & Wheel Cylinders

- G1095 53-62 BLEEDER KIT - brakes/one man45.95
- A1017 53-62 BLEEDER SCREW - wheel cylinder, 1-11/16"x3/8" hex head (repl/ea)2.95
- A1032 53-62 BLEEDER SCREW SET - wheel cylinder, original design, w/ 5-16 24 threads (4pc) ...39.95
- A1078 53-62 BLEEDER SCREW SET - wheel cylinder, original design, w/3/8-24 threads (4pc)39.95
- A1126 53-62 BLOCK - brake line at master cylinder (use w/A1127 & A1060)18.00
- A1127 53-62 BOLT - brake block to master cylinder5.50
- A1015 53-62 BOOT/SEAL - master cylinder rod, rubber9.95
- A1070 61L-62 CAP - master cylinder, Delco milky semi-opaque plastic, as original19.70
- A1000 53-61E CAP - master cylinder, metal, original (restored original)25.00

- A1061 53-62 CONNECTOR BLOCK KIT - brake line at master cylinder w/bolt & washers (A1126, A1127 & A1060)33.00
- A1025 53-62 FLUID - brake, silicone, DOT 5, quart24.95
- A1024 53-62 FLUID - brake, standard, DOT 3, quart4.50
- A2547 53-62 GASKET - master cylinder cap2.95
- A1190 53-54E MASTER CYLINDER - 5450233 casting (inverted numbers) with correct cap, restored595.00
- A1191 54L-55 MASTER CYLINDER - small 5450233 raised casting, w/correct cap, restored449.95
- A1192 56-57E MASTER CYLINDER - large 5450233 raised casting, 5454480 & 320G stamped end cap & correct fill cap, restored449.95
- A119357L-59E MASTER CYLINDER - small 5456022 casting, 5454480 & 320G stamped end cap w/correct cap restored (thru Jan. '59)449.95
- A119459L-61E MASTER CYLINDER - small 5656022 casting, 5454480 & 320G stamped end cap w/correct cap Restored (from Feb. '59)449.95
- A1195 61L-62 MASTER CYLINDER - large 5456022 casting, 5454480 & 320G stamped end cap w/correct Delco white plastic cap, restored449.95

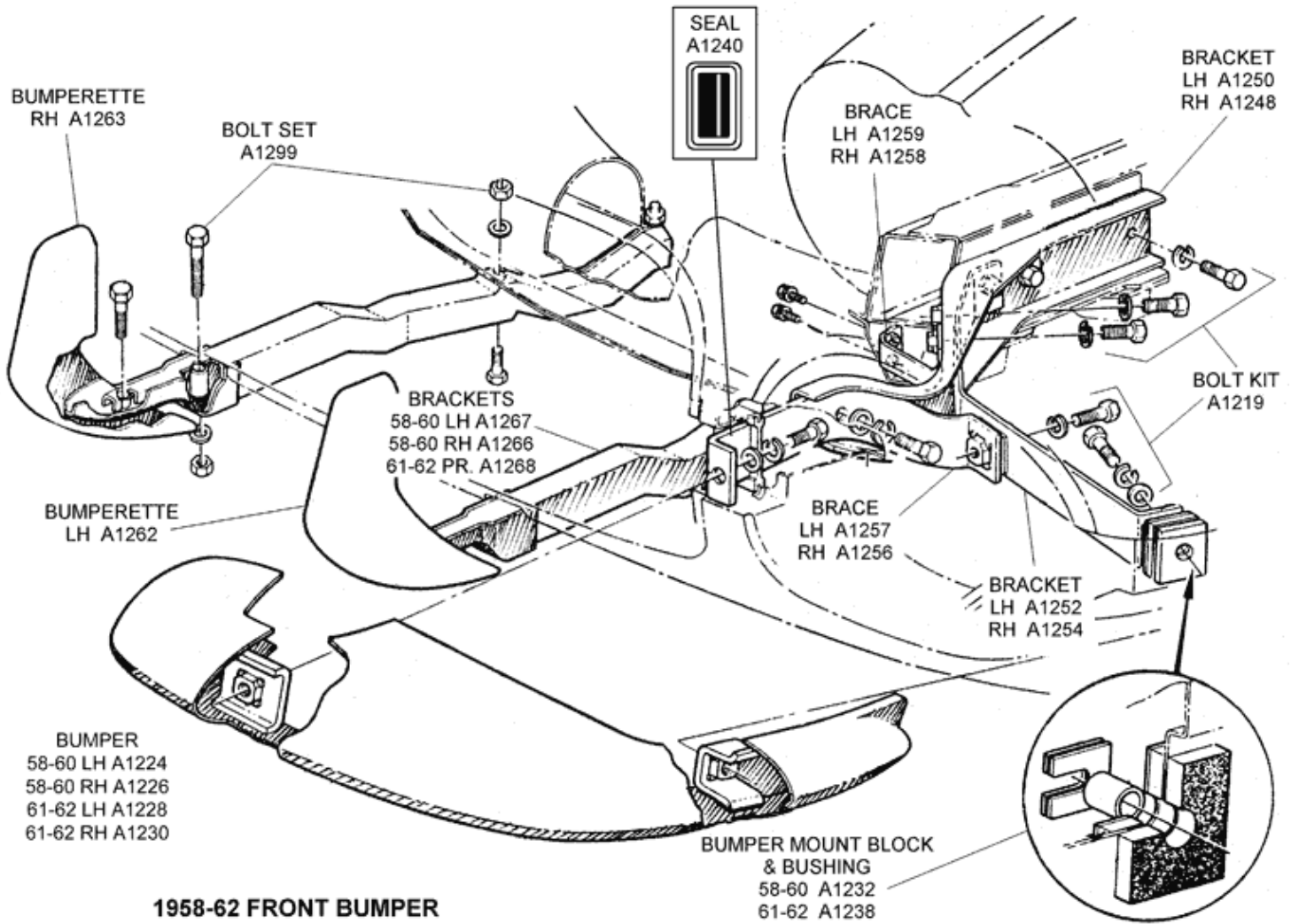


- A1003 53-62 MASTER CYLINDER W/CAP - US made replacement . 99.95
- A1049 56-57 MOUNT KIT - Master cylinder/'TR' bolts - washers (6pc)3.95
- A1048 53-55 MOUNT KIT - master cylinder/nuts - washers (6pc)1.85
- A1079 58-62 MOUNT KIT - master cylinder/nuts-washers (6 pc)1.95
- A1006 53-62 MOUNT KIT - wheel cylinder bolts (4pc)4.65
- A1041 53-62 PIN - wheel cylinder (8 req. per car, 2 per wheel cylinder), (ea)5.95
- A1004 53-62 PUSH ROD - w/washer, master cylinder39.95
- A1026 53-62 REBUILD KIT - front wheel cylinder, 1 1/8' bore9.95
- A1028 53-62 REBUILD KIT - front wheel cylinder, 1 3/16' bore12.95
- A1013 53-62 REBUILD KIT - master cylinder, includes piston, seal, rear boot & snap ring31.75
- A1022 53-62 REBUILD KIT - rear wheel cylinder, 1' bore ...9.95
- A1083 53-62 REBUILD KIT - rear wheel cylinder, heavy duty, 7/8' bore10.45
- A1008 53-62 REBUILD SERVICE WITH SLEEVING SERVICE - master cylinder, stainless steel, w/rebuild 199.95
- A1050 53-62 SEAL - master cylinder to fire wall4.50
- A1060 53-62 WASHER SET - master cylinder bolt & block (pr)5.95
- A1020 53-62 WHEEL CYLINDER - front, (1 1/8' bore), LH ...36.75
- A1019 53-62 WHEEL CYLINDER - front, (1 1/8' bore), RH ...36.75
- A1043 60-62 WHEEL CYLINDER - front, LH, GM casting #5453821, w/HD brakes, NOSCALL
- A1042 60-62 WHEEL CYLINDER - front, RH, GM casting #5453821, w/HD brakes, NOSCALL
- A1023 56-62 WHEEL CYLINDER - rear, (1' bore), LH20.00
- A1021 56-62 WHEEL CYLINDER - rear, (1' bore), RH20.00
- A1016 53-55 WHEEL CYLINDER - rear, (ea), LH or RH57.75
- A1036 59-62 WHEEL CYLINDER SET - left and right hand rear, all w/heavy duty Brakes, 7/8' bore, GM casting #5450996, NOS (pr)695.00
- A8309 53-62 WRENCH - brake bleeder5.95

DO YOU HAVE A TECHNICAL QUESTION?

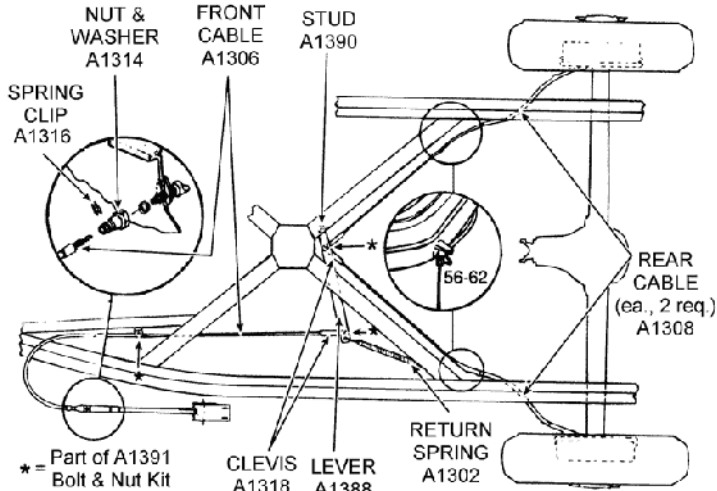
Call our technical department at 708-458-2500 for assistance.





Parking Brake

- A1307 53-62 BOLT ADJUSTING NUT KIT - parking brake cable pivot, (2 special bolts, 6 castle nuts, 3 washers, 3 cotter pins)13.95
- A1080 53-62 BOOT - rear parking brake cable, correct15.10
- A6035 60-62 BULB - parking brake alarm (flashing)2.20



- A1306 53-62 CABLE - parking brake, front56.95
- A1308 56-62 CABLE - parking brake, rear (2 req.), (ea) ...58.90
- A1305 56-62 CABLE KIT - parking brake, (1-A1306, 2-A1308, 1-A1316, 1-A13022-A1315)174.95
- A1318 53-62 CLEVIS - rear parking brake connector, 'L' type (3 req., 1 front, 2 rear), (ea)6.25
- A1136 53-62 CLIP - brake hose, 'U' type (3 req.), (ea)1.45
- A1315 53-62 CLIP - rear parking brake cable (2 required, ea)4.35

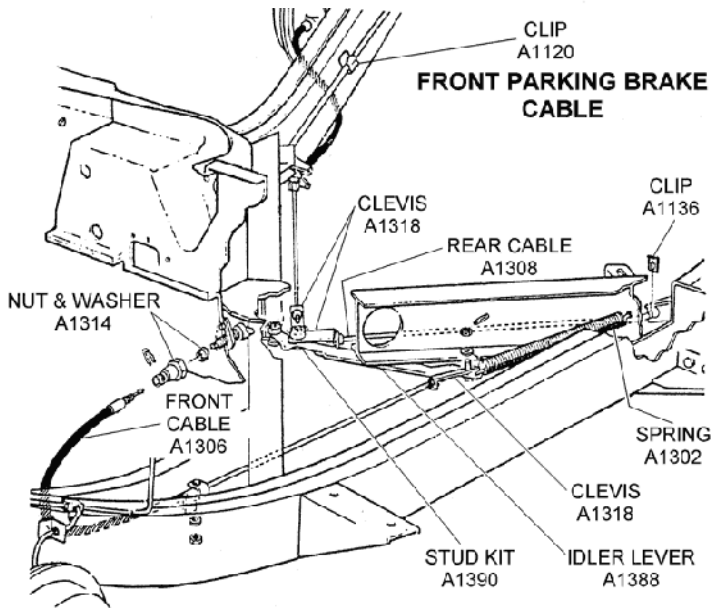
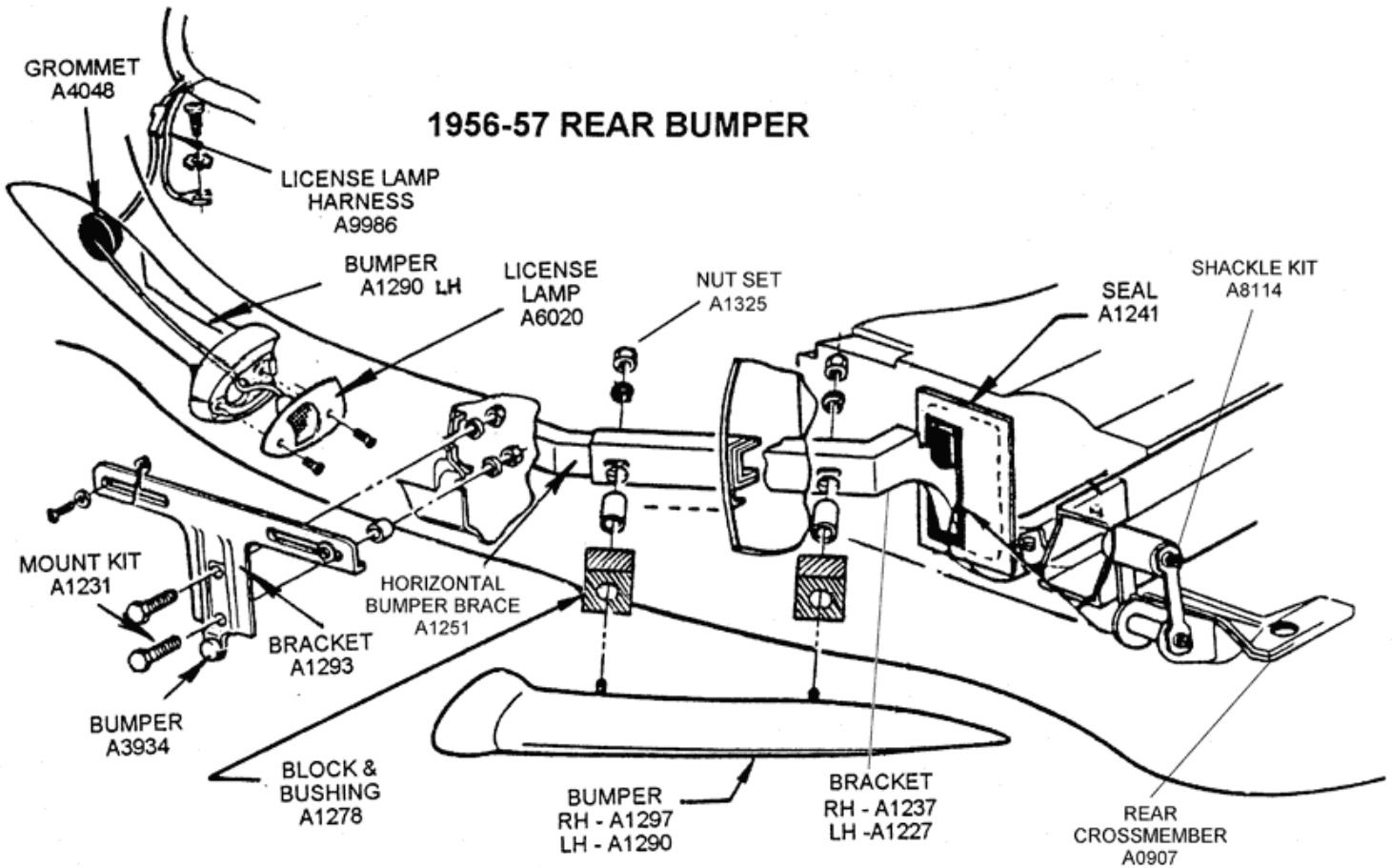
- A1316 56-62 CLIP - retainer spring, parking brake cable, on fire wall, spring type8.60
- A8651 53-55 FLASHER - parking brake alarm, 6 volt, NOS ...CALL
- A8650 55-60 FLASHER - parking brake alarm, 12 volt, NOS / NEWCALL
- A2195 53-57 HANDLE - parking brake36.00

- 53-57 HANDLE 58-62 white letters A1311 58-62 black letters A1310
- A2195



- A1310 58-62 HANDLE - parking brake, w/black letters42.25
- A1311 58-62 HANDLE - parking brake, w/white letters42.25
- A9999 53-54 HARNESS- parking brake16.00
- A9963 55-57 HARNESS - parking brake16.00
- A9971 58-60 HARNESS - parking brake16.00
- A9953 61-62 HARNESS - parking brake16.00
- A5555 53-57 JEWEL (Red) & bezel - parking brake alarm light, used/originalCALL
- A1090 53-62 LEVER & PIN KIT - parking brake, (does both sides)58.20
- A1388 56-62 LEVER - parking brake (on frame)24.40
- A1392 58-62 MOUNT KIT - parking brake handle assembly ...3.35
- A1314 58-62 NUT & WASHER - parking brake handle, on firewall21.95
- A1393 56-57 PARKING BRAKE ASSEMBLY - under dash, bracket & sliding mechanism / chrome handle will probably need to be replaced with a new one - original395.00
- A1312 58-62 PARKING BRAKE ASSEMBLY - under dash, bracket & sliding mechanism / chrome handle will probably need to be replaced with a new one - original249.95
- A1300 53-62 SPRING & PAWL KIT - parking brake10.45

1956-57 REAR BUMPER



A1302 56-62	SPRING - idler lever return, parking brake under car	10.50
A1303 58-62	STOP PIN - parking brake handle	7.10
A1390 53-62	STUD HARDWARE KIT - weld-in, parking brake lever pivot	14.00
A1319 53-57	SWITCH ASSEMBLY - parking brake alarm, w/clamp (used, orig.)	CALL
A1317 58-62	SWITCH ASSEMBLY - parking brake alarm, w/clamp (used, orig.)	CALL

A1160 58-62	BOLT - bumper brace 'TR' HM, (7/16"-14X1-3/8")	2.65
A1261 56-57	BOLT KIT - front crescent bumper installing, 18pc	5.50
A1242 58-62	BOLT KIT - front bumper (66 pc) (replacement)	15.75
A1219 58-62	BOLT SET - bumper attaching side position 'M' head mark, 7/16" x 2 3/4', zinc (pr)	9.00
A1221 58-62	BOLT SET - bumper braces to bumpers, 'TR' head mark (16 pc)	38.95
A1259 58-62	BRACE - cross member to main, LH	25.90
A1258 58-62	BRACE - cross member to main, RH	25.90
A1257 58-62	BRACE - inner front bumper, LH	22.40
A1256 58-62	BRACE - inner front bumper, RH	22.40
A1246 58-62	BRACKET & BRACE SET - front bumper (incl. A1248/1250/1252/1254/1256/1257/1258/1259, 8 pc)	339.95
A1250 58-62	BRACKET - front main bumper, LH	72.85
A1248 58-62	BRACKET - front main bumper, RH	72.85
A1252 58-62	BRACKET - front outer bumper, LH	36.85
A1254 58-62	BRACKET - front outer bumper, RH	36.85
A1208 53-55	BUMPER - bullet, front	184.40
A1210 56-57	BUMPER - crescent, front	189.00
A1224 58-60	BUMPER - front, LH	535.00
A1228 61-62	BUMPER - front, LH	535.00
A1226 58-60	BUMPER - front, RH	535.00
A1230 61-62	BUMPER - front, RH	535.00
A1204 53-55	BUMPER - horizontal, inner front	194.70
A1206 53-55	BUMPER - horizontal, outer front	194.70
A1202 53-55	BUMPER - vertical, front	194.70
A1239 58-60	BUMPER SET - w/installation bolt kit, front, LH & RH	979.00
A1245 61-62	BUMPER SET - w/installation bolt kit, front, LH & RH	979.00
A1236 58-62	CUSHION - bumper (ea)	1.60
G5003 53-62	PAINT - black, semi gloss, 12 oz. aerosol	6.50
A1279 61-62	PAINT SAVER SET - bumper, 16 pc	11.00
A1275 58-60	PAINT SAVER SET - bumper, 8 pc	9.95
A1240 58-62	SEAL - bumper front support (2 req., ea)	8.10
A1234 58-62	SPACER - bumper cushion (side brace)	2.50

BUMPER & BUMPER MOUNTING

Front Bumper, Braces & Related

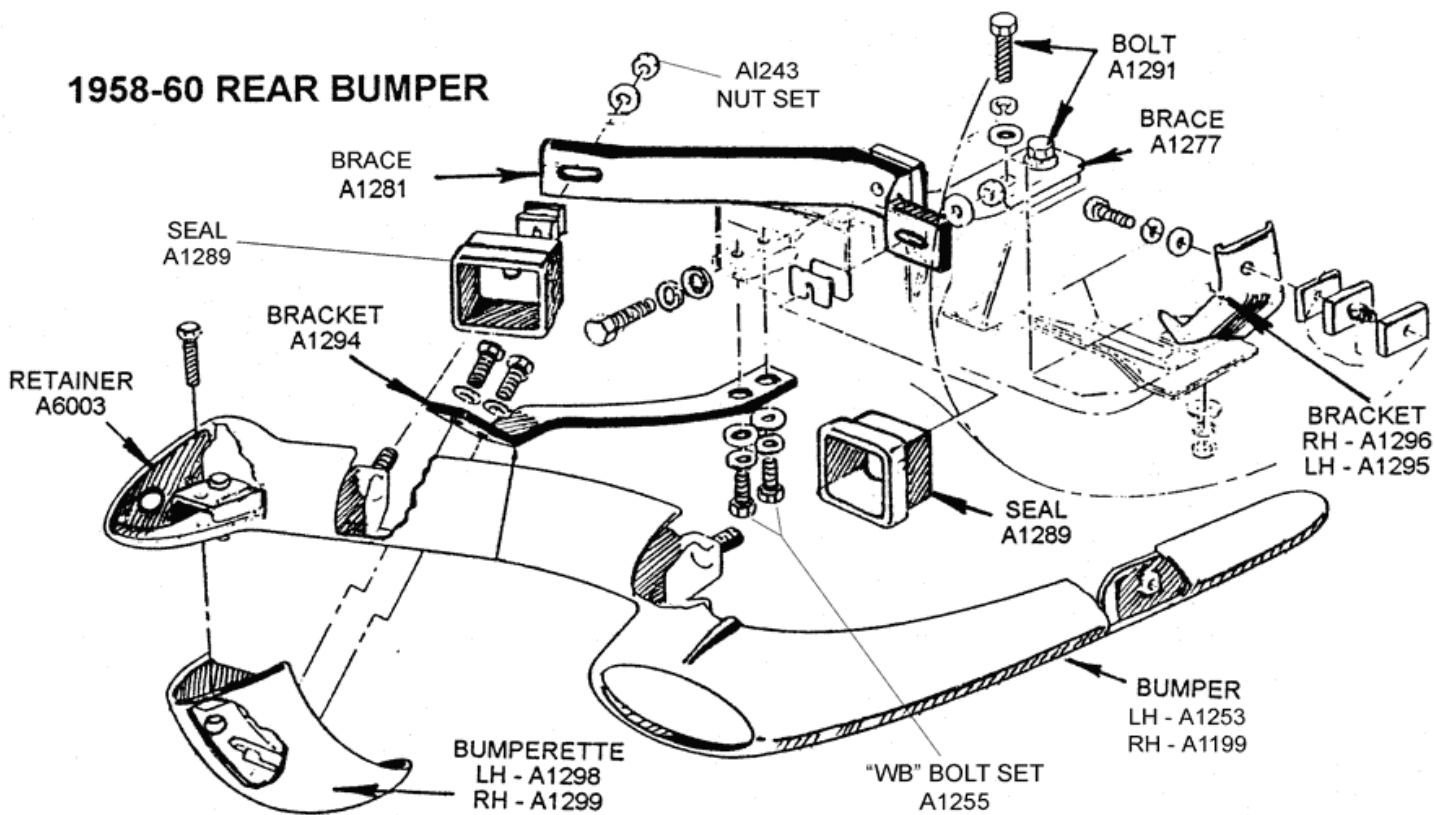
A1232 58-60	BLOCK & BUSHING SET - bumper mount, front & rear	30.45
A1238 58-62	BLOCK & BUSHING SET - bumper mount, front only	14.95

Quality - Service - Price

We have it all. Give us a call.

Rear Bumpers, Braces & Related

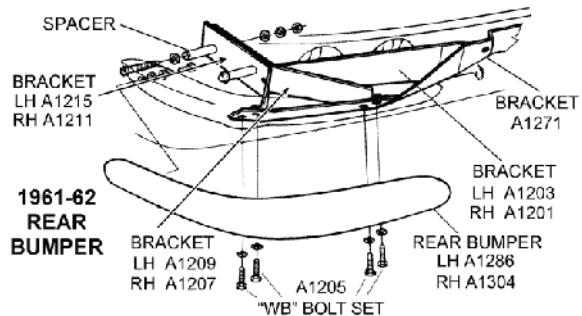
1958-60 REAR BUMPER



A1285 56-57	BEZEL - rear exhaust chrome (2 req. ea)	103.95
A1255 58-60	BOLT & WASHER SET - bumperette braces to lower cross-member, 'WB' head mark (12PC) ...	10.75
A1160 58-62	BOLT - bumper brace 'TR' HM, (7/16"-14X1-3/8')	2.65
A1205 61-62	BOLT KIT - rear bumper attaching, 'WB' head mark (10 pc) (not included in replacement bolt kit A1292)	20.95
A1291 58-60	BOLT KIT - rear bumper mount, replacement, (52 pc)	20.95
A1292 61-62	BOLT KIT - rear bumper mount, replacement, (74 pc)	19.05
A1163 58-60	BOLT KIT - rear bumper, 'TR', 'H', 'UR' head marks, (36pc)	36.95
A1277 59-60	BRACE - rear bumper bracket to frame (2 req., ea) (58 repl)	48.20
A1251 56-57	BRACE - rear horizontal center bumper	65.00
A1294 58-60	BRACKET - lower rear bumperette, (ea), LH or RH	46.25
A1271 61-62	BRACKET - main/rear bumper, reconditioned ..	225.00
A1227 56-57	BRACKET - rear bumper to frame support, LH ..	90.65
A1237 56-57	BRACKET - rear bumper to frame support, RH ..	90.65
A1203 61-62	BRACKET - rear bumper, center, reconditioned, LH	89.95
A1201 61-62	BRACKET - rear bumper, center, reconditioned, RH	89.95
A1209 61-62	BRACKET - rear bumper, inner, reconditioned, LH	89.95
A1207 61-62	BRACKET - rear bumper, inner, reconditioned, RH	89.95
A1215 61-62	BRACKET - rear bumper, outer, reconditioned, LH	89.95
A1211 61-62	BRACKET - rear bumper, outer, reconditioned, RH	89.95
A1281 59-60	BRACKET - rear inner bumper to frame, (58 replacement)	75.85
A1295 58-60	BRACKET - rear outer bumper, (58 replacement), LH	36.25
A1296 58-60	BRACKET - rear outer bumper, (58 replacement), RH	36.95
A1400 58	BRACKET SET - rear bumper, used originals, reconditioned	CALL
A1274 53-55	BUMPER - bullet, rear	184.40
A1276 53-55	BUMPER - center, rear	639.95

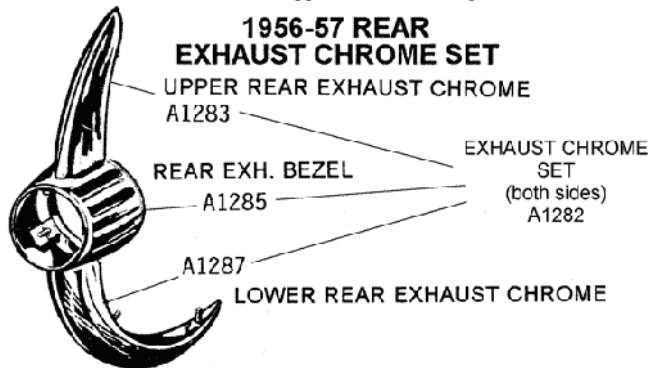
NOTE: Paint Savers were not originally used but will help protect your paint job.

A1269 53-55	BUMPER - horizontal outer	293.55
A1270 53-55	BUMPER - horizontal, rear, inner	153.50
A1290 56-57	BUMPER - inner horizontal, LH / USED	275.00
A1297 56-57	BUMPER - inner horizontal, RH / USED	275.00
A1253 58-60	BUMPER - rear, used, replatable, LH	CALL
A1199 58-60	BUMPER - rear, used, replatable, RH	CALL

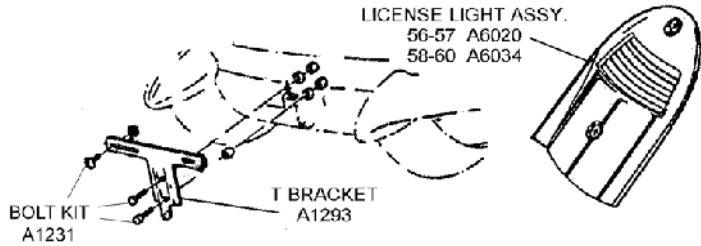


A1286 61-62	BUMPER - rear, used, replatable, LH	CALL
A1304 61-62	BUMPER - rear, used, replatable, RH	CALL
A1272 53-55	BUMPER - vertical, rear	194.70
A1298 58-60	BUMPERETTE - rear, lower, LH	324.95
A1299 58-60	BUMPERETTE - rear, lower, RH	324.95
A1235 61-62	BUMPERETTE / CHROME - around license plate, used, replatable	159.95
A1287 56-57	EXHAUST CHROME - lower rear (2 req., ea) ...	131.25
A1283 56-57	EXHAUST CHROME - upper rear (2 req., ea) ...	61.95

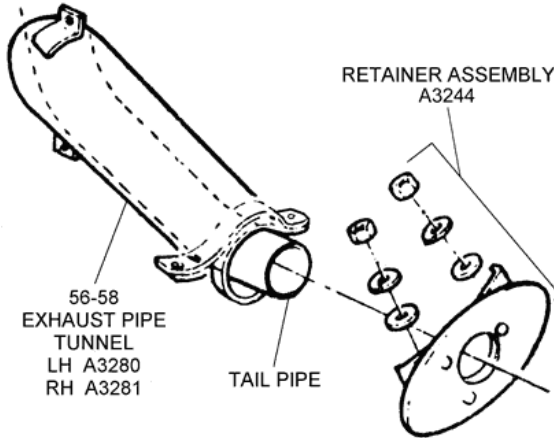
1956-57 REAR EXHAUST CHROME SET



A1282 56-57	EXHAUST CHROME SET - exhaust pipe, w/insulator/retainers, LH & RH (includes two each of A1283, A1285, A1287 and one A3242)	539.95
-------------	--	--------



A6020	56-57	LIGHT ASSEMBLIES - license, w/fasteners, assembled (pr)	96.35
A6034	58-60	LIGHT ASSEMBLIES - license, w/fasteners, assembled (pr)	109.95
A1280	56-60	MOUNT KIT - block & bushing	14.85
A1278	56-57	MOUNT KIT - center bumper, rear block/bushing (4 pc)	23.40
A1249	53-55	MOUNT KIT - rear bumper, rubber (4 w/hole, 1 w/o hole)	70.25
A6003	58-60	NUT PLATE SET - rear license light to rear bumper retainer (pr)	33.90
A1325	56-57	NUT SET - rear bumper mounting, 'Marsden' design, correct (4 pc)	4.65
A1243	58-60	NUT SET - rear bumper mounting, 'Marsden' design, correct (8 pc)	8.35
A1320	53-55	NUT SET - rear bumper mounting, (5 pc)	5.00
G5003	53-62	PAINT - black, semi gloss, 12 oz. aerosol	6.50
A1273	56-57	PAINT SAVER SET - rear exhaust chrome set	11.95
A3242	56-57	RETAINER ASSEMBLIES-rear exhaust bezel w/screws	49.00

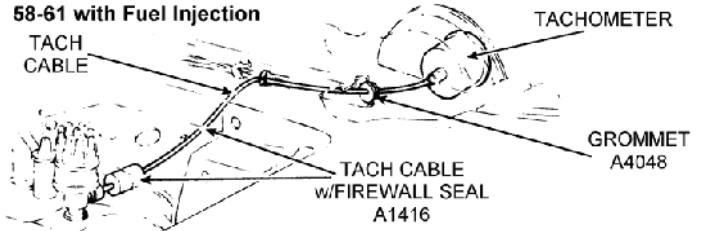


A3244	58-60	RETAINER SET - w/bolt kit, tail pipe in bumper (assembled) (pr)	89.95
A1223	58-60	SCREW KIT - exhaust insulator support bracket (16 pc)	4.85
A1289	58-60	SEAL - bumper to body (4 req., ea)	11.50
A1233	58	SEAL SET - main bumper braces, in trunk (pr)	43.00
A1241	56-57	SEAL SET - rear bumper braces to body, (pr)	18.60

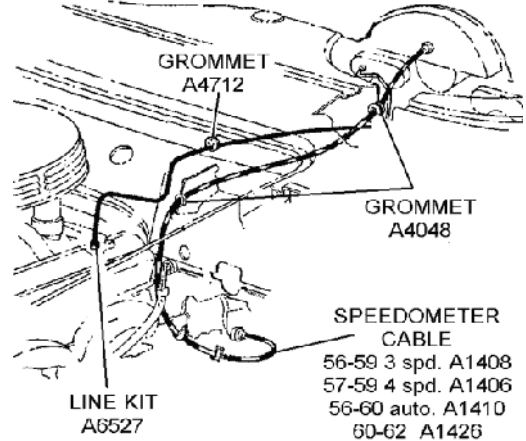
CABLES with HOUSINGS & RELATED

Cables & Housings - Correct Reproductions

A1420	62	BOOT & RETAINER - tachometer cable (at fire wall)	19.95
A1419	62	BOOT - tachometer cable	17.00
A3865	57-58E	CABLE & HOUSING ASSEMBLY - F.I. drive w/hex nut	135.00
A3705	58L-62	CABLE & HOUSING ASSEMBLY - F.I. drive, distributor to pump, w/knurled nut, NOS	83.25
A3951	57-62	CABLE - F.I., high pressure pump, 6 3/4 long, inserts into housing	44.95
A3952	57-62	CABLE - F.I., high pressure pump, 6 5/16 long, inserts into housing	44.95
A1350	53-55	CABLE - speedo, power glide, steel case	36.75
A1408	55-59	CABLE - speedo, 3 speed, steel case, 60'	31.00
A1406	57-59	CABLE - speedo, 4 speed, steel case, 62'	37.90
A1426	60-62	CABLE - speedo, gray case, 61'	29.95
A1402	53-55	CABLE - tachometer (6 cylinder)	54.95
A1404	55-57	CABLE - tachometer, steel case, 39.5'	32.35
A1414	58-59	CABLE - tachometer, steel case, 60'	37.90



A1416	58-61	CABLE - tachometer, F.I., steel case (w/correct firewall seal/grommet) w/ tach drive	76.80
A1415	60-61	CABLE - tachometer, gray case, 61'	35.00
A1424	62	CABLE - tachometer, gray case, with or without F.I., 33'	49.25
A1450	57-62	CABLE - tachometer, w/F.I., w/square drive	75.00
A4047	53-62	CLIP & SCREW KIT - cable to inner fender, (1 1/4' OL - 12pc)	16.95
A4049	53-62	CLIP & SCREW KIT - cable to inner fender, (1 5/8' OL - 14 pc)	21.00
A0424	58	GROMMET - firewall / tach cable, F.I., (not included w/grommet kit)	20.20



A4048	53-62	GROMMET - tach & speedo cable	2.95
A1401	53-62	LUBRICANT - speedo or tach cable	3.75
B1414	53-62	REPAIR KIT - speedo or tach cable	9.95
A1475	62	RETAINER - tachometer cable boot	8.50

Cables & Housings - Replacements

A1412	58-61	CABLE - tachometer, black case	33.70
A1418	62	CABLE - tachometer, steel case	26.50
A1423	62	CABLE - tachometer, steel case w/boot included	59.60
B1414	53-62	REPAIR KIT - speedo or tach cable	9.95

CLOCKS

A1757	53-55	BEZEL - clock, chrome ring	53.95
A4227	56-57	BEZEL - clock, chrome ring	53.95
A1758	58-62	BEZEL - clock, chrome ring	23.60
A4208	53-54	CLOCK ASSEMBLY / restored original	CALL
A4215	55-57	CLOCK ASSEMBLY - restored original	CALL
A1701	58-62	CLOCK ASSEMBLY - new	139.95
A4212	53-57	FACE/LENS - clock, w/numbers	22.50
A4226	58-62	FACE/LENS - clock, w/numbers	21.95
A9960	58-61	HARNES - clock	17.75
A1704	56-57	KNOB - clock	11.00
A1710	58-62	KNOB - clock	9.50
A4210	53-57	LENS - clock	13.50
A1700	58-62	LOCK RING/GROUNDING WASHER - clock	7.00
A1798	55-57	REBUILD SERVICE - clock, quartz	156.95
A1799	58-62	REBUILD SERVICE - clock, quartz	156.95

NOTE: During the restoration process under parts A1798 and A1799, the case, bezel, face, and needle are restored. A new lens and movement are installed. Additional parts are extra. There is a 4-6 week turn-around time.

VISIT US ON THE WEB AT
www.ChicagoCorvette.net

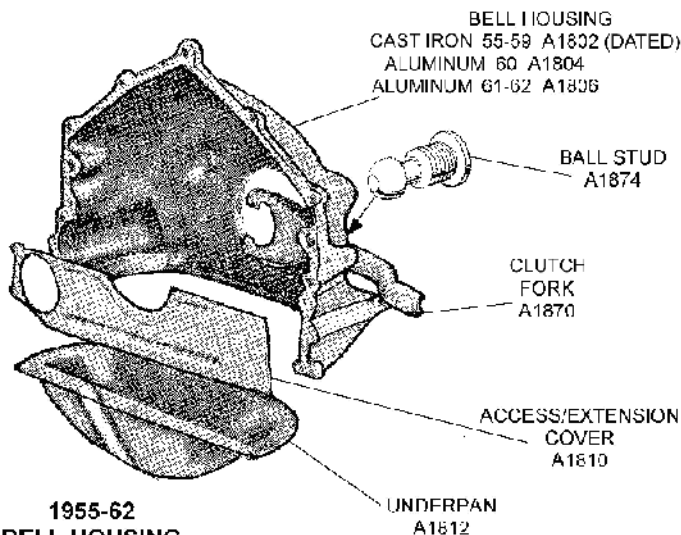
Quality - Service - Price
We have it all. Give us a call.

CLUTCH

Bell Housing & Clutch Assembly

- A1810 55-62 ACCESS/EXTENSION COVER - bell housing/flywheel, under the starter (flat) . . .39.95
- A1874 56-62 BALL STUD - clutch fork pivot, on bell housing15.85
- A1855 55-62 BEARING - clutch throw-out24.00
- A1839 55-62 BEARING - clutch throw-out, NOS, Gm # 90758 . .34.95
- A1802 55-59 BELL HOUSING - #3733365 cast iron, original, used/reconditioned, date coded - many dates available!295.00

NOTE: Call for available dates on A1802 Bell Housings.



1955-62 BELL HOUSING

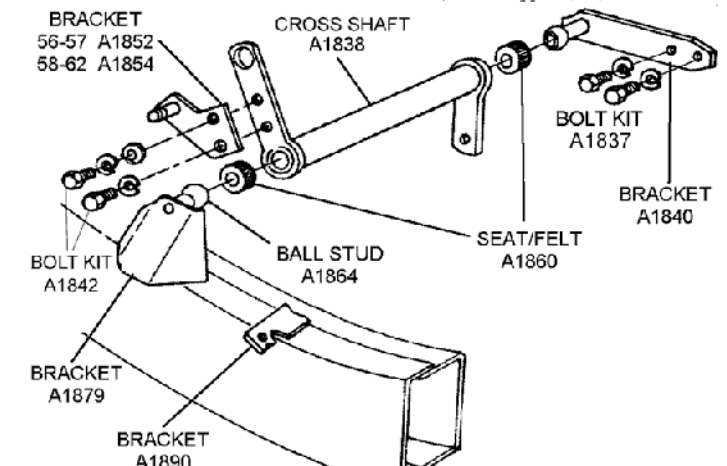
- A1805 55-59 BELL HOUSING - #3733365, cast iron - used reconditioned, date our choice195.00
- A1804 60 BELL HOUSING - #3764591, aluminum, reconditioned original595.00
- A1806 61-62 BELL HOUSING - #3779553, aluminum, reconditioned original549.95
- A1850 55-59 BOLT - bell housing, 'AP' head mark 3/8x16, (7 req, ea)2.00
- A1837 56-62 BOLT KIT - clutch pivot bracket to bell housing, bolts w/lock washers, (4 pc)2.05
- A1849 55-59 BOLT SET - bell housing 'TR', head mark (7pc)8.45
- A1851 55-59 BOLT SET - bell housing, 'AP' head mark 3/8x16 (7 pc)12.45
- A1853 60-62 BOLT SET - bell housing, (6 pc)10.90
- A8707 56-62 BOLT SET - flywheel to crankshaft, grade 8, (6 pc)8.75
- A8703 56-62 BOLT SET - pressure plate to flywheel, grade 5 (6 pc)9.95
- A8731 56-62 BOLT SET - transmission to bell housing, 'TR' head mark, w/nuts & washers (4 pc)8.00
- A1876 56-60 BOOT - clutch fork, leather [1960 replacement]29.20
- A1878 61-62 BOOT - clutch fork, rubber33.80
- A1835 55-62 CLIP - clutch fork repair, spring type9.30
- A1807 56-61 CLUTCH KIT - all w/F.I., w/10' clutch disc & 10 splines174.95
- A1803 56-62 CLUTCH KIT - w/10' clutch disc & 10 splines, 3 finger pressure plate174.95

1956-62 Clutch Kits include: reconditioned pressure plate, new clutch disc, throw out bearings, and pilot bearings.

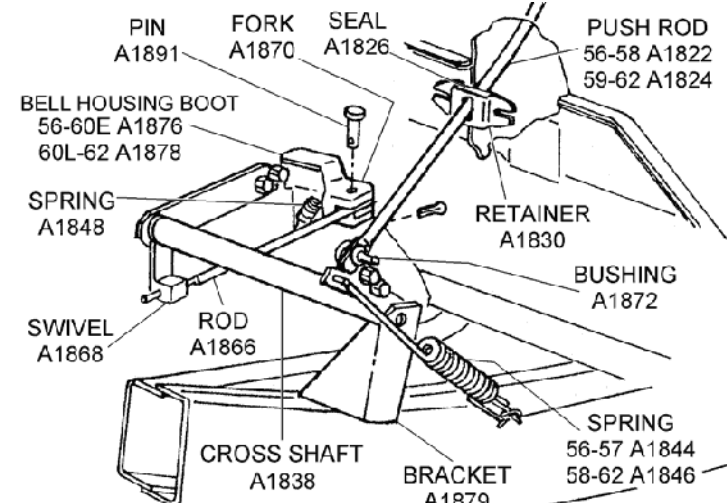
- A1817 55-62 FLYWHEEL - original, resurfaced, casting #3729004199.95
- A1870 56-62 FORK - clutch63.35
- A1827 56-62 PILOT BEARING - inserts in crankshaft (bronze/original)3.95
- A8751 55-62 PILOT BEARING - inserts in crankshaft (needle style)16.90
- A1891 56-62 PIN - clutch fork pivot1.25
- A8705 55-62 RESURFACING SERVICE - of your flywheel69.95
- A1800 56-62 RING GEAR - 11' flywheel22.45
- A1834 55-62 SCREW SET - slotted, clutch housing inspection cover to bell housing (4 pc)3.95
- A1888 56-62 SPACER - clutch pedal .180' thick1.45
- A8320 55-62 TOOL - clutch alignment /economy4.50
- A8304 56-62 TOOL - clutch alignment/deluxe-all metal12.95
- A1812 55-62 UNDERPAN - lower bell housing cover/clutch access58.20

Clutch Linkage - Engine Compartment

- A1864 56-62 BALL STUD - clutch cross shaft pivot, welds on, (ea)7.85
- A1836 56-62 BOLT - clutch push rod to bell crank, shoulder type, correct10.00
- A1832 56-62 BOLT - clutch push rod, shoulder type, w/bushing,20.25
- A1837 56-62 BOLT KIT - clutch pivot bracket to bell housing, bolts w/lock washers, (4 pc)2.05
- A1842 56-62 BOLT KIT - clutch return spring bracket to cross shaft3.25
- A1879 56-62 BRACKET & BALL STUD - clutch pivot, welds to frame22.00
- A1852 56-57 BRACKET - clutch return spring lever, bolts to clutch cross shaft14.60
- A1854 58-62 BRACKET - clutch return spring lever, bolts to clutch cross shaft19.10
- A1890 56-62 BRACKET - clutch return spring, welds to frame16.85
- A1840 55-62 BRACKET - on bell housing, w/pivot stud24.65
- A1856 56-62 BRACKET/LINK - return spring to lever/oval shape6.75
- A1872 56-62 BUSHING - clutch bell crank to push rod14.60
- A8702 56-62 CLIP - shifter/clutch rod, 'G' type (ea)1.00



- A1838 56-62 CROSS SHAFT - bell crank clutch75.85
- A1858 56-62 HOOK - clutch return spring, hairpin type, (56-57, 2 req.), (58-62, 1 req.) (ea)13.45
- A1866 56-62 PUSH ROD - clutch fork31.45
- B1875 56-62 SEAL - clutch cross shaft, felt, (ea)6.00

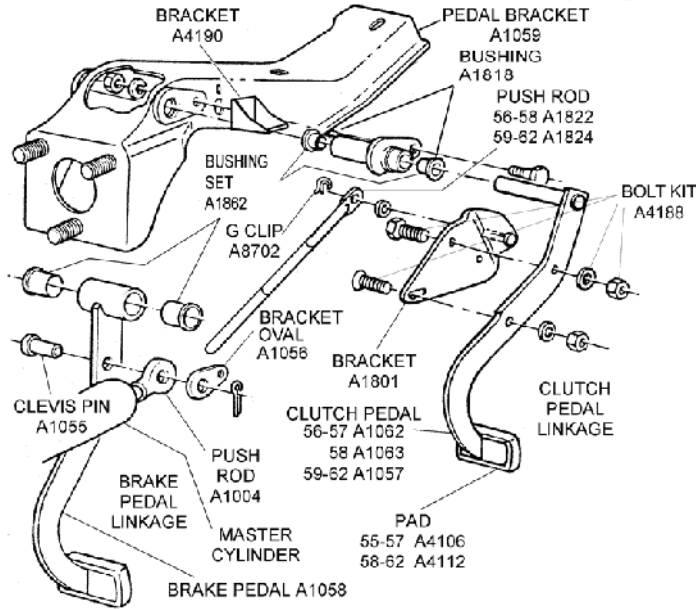


- A1860 56-62 SEAL SET - clutch cross shaft, felt, w/leather skin, (pr)9.80
- A1844 56-57 SPRING - clutch pedal return17.95
- A1846 58-62 SPRING - clutch pedal return14.60
- A1848 56-62 SPRING - clutch rod anti-rattle3.80
- A1868 56-62 SWIVEL/CLEVIS - clutch fork push rod4.85

Clutch Related - Pedal to Firewall

- A4188 59-62 BOLT/NUT/WASHER KIT - clutch pivot bracket to pedal (6 pc)3.50
- A1801 59-62 BRACKET - clutch pedal push rod52.95
- A4190 56-62 BRACKET - clutch pedal, w/bumper set,17.00

- A4189 58-62 BRACKET/SUPPORT - brake and clutch pedals-
under dash (used/reconditioned)135.00
- A1820 56-62 BUMPER - brake pedal & clutch pedal (ea)2.90

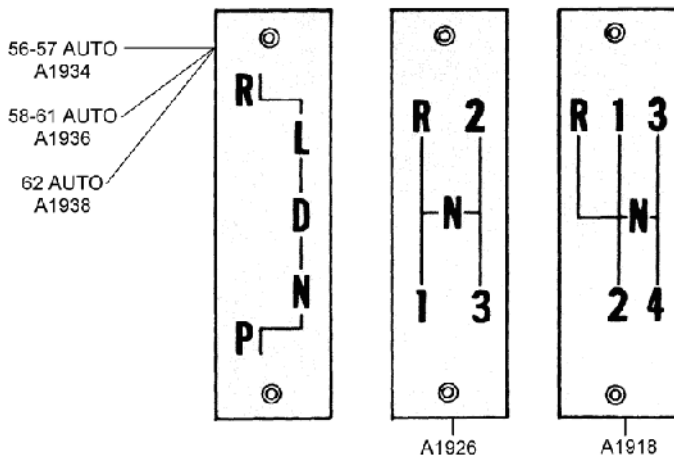


- A1818 56-62 BUSHING - clutch pedal pivot small (2 req.,
ea)4.35
- A1862 56-62 BUSHING SET - brake and clutch pedal pivot
(4 pc, 2 sm, 2 lg)17.70
- A4106 55-57 PAD - brake pedal and clutch, 3 or 4 speed
(ea)5.50
- A4112 58-62 PAD - brake pedal and clutch, 3 or 4 speed
(ea)5.20
- A1062 56-57 PEDAL ASSEMBLY - clutch84.95
- A1063 58 PEDAL ASSEMBLY - clutch84.95
- A1057 59-62 PEDAL ASSEMBLY - clutch76.95
- A1824 59-62 PUSH ROD - clutch pedal23.05
- A1822 56-58 PUSH ROD - clutch pedal, w/hardware30.65
- A1830 58-62 RETAINER - clutch push rod firewall seal13.30
- A1831 56-62 SCREW SET - clutch rod seal retainer, (2
pc)2.50
- A1826 58-62 SEAL (FELT) - clutch push rod on firewall
(ea)2.75
- A1828 56-59 SPRING/WASHER/COTTER PIN KIT - clutch pedal
push rod2.95

CONSOLE

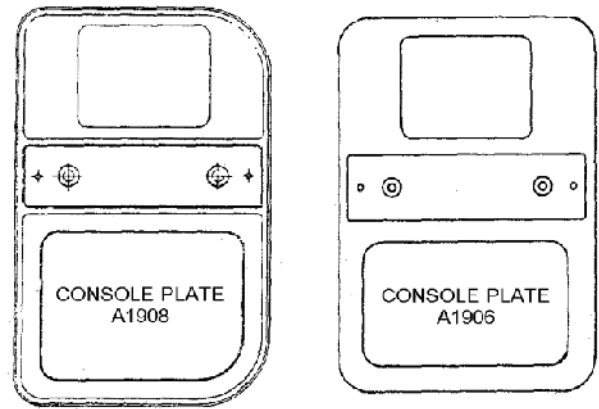
3-Speed Transmission

SHIFT PATTERN / INDICATOR



- A1924 56-62 BOOT - 3 speed shifter26.95
- A1906 56-62 CONSOLE PLATE - 3 speed shifter30.50
- A1926 56-62 PATTERN/INDICATOR - 3 speed shifter,
w/screws12.25

4-Speed Transmission



- A1916 59-62 BOOT - 4 speed shifter, reinforced design ...27.25
- A1906 56-58 CONSOLE PLATE - 4 speed shifter30.50
- A1908 59-62 CONSOLE PLATE - 4 speed shifter37.85
- A1918 57-62 PATTERN/INDICATOR - 4 speed shifter,
w/screws15.85

Ashtray

- A1920 53 ASHTRAY - in door panel29.40
- A1942 54-60E ASHTRAY - w/correct knob, 1954/5 in door
panel38.25
- A1944 60L-62 ASHTRAY - w/correct knob & cigarette holder .28.00
- NOTE: 61L-62 A1944 Ashtray has a cigarette holder, 56-61E A1942 does not.**
- A1990 56-62 CLIP SET - w/screw, ashtray retainer, in
shifter tunnel, (pr)11.05
- A1948 54-62 KNOB - ashtray9.60

Automatic Transmission

- A1924 56-62 BOOT - auto shifter, reinforced design26.95
- A1906 56-62 CONSOLE PLATE - auto shifter30.50
- A1934 56-57 PATTERN/INDICATOR - auto shifter, w/screws .12.75
- A1936 58-61 PATTERN/INDICATOR - auto shifter, w/screws .11.85
- A1938 62 PATTERN/INDICATOR - auto shifter, w/screws .11.85
- A1902 56-62 SCREW SET - shift pattern (pr)2.40

Heater Control Area

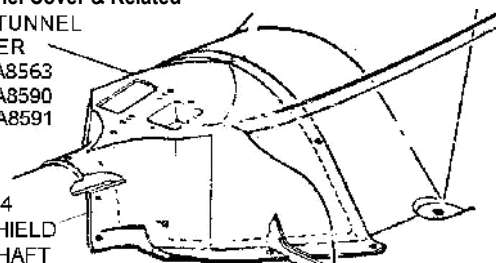
- A1952 58-62 BEZEL/PLATE - heater controls & clock,
chrome119.20
- A1956 58-62 MOLDING - lower center console at carpet,
chrome41.50
- A1915 58-62 MOLDING W/SCREWS- upper center console on
dash pad, lower edge, stainless steel44.95
- A1950 58-62 PANEL/CONSOLE - fiberglass around
radio/heater control bezel108.95
- A5119 58-62 RETAINER SET - heater control bezel, flat
speed nut (6 pc)10.50
- A1958 58-62 SCREW SET - upper & lower console trim (10
pc)4.95

Transmission Tunnel Cover & Related

SHIFTER TUNNEL COVER

- 53-55 A8563
- 56-60 A8590
- 61-62 A8591

A8564 METAL SHIELD DRIVE SHAFT



- A8563 53-55 COVER - transmission tunnel, fiberglass, PM 175.00
- A8595 56-60 COVER - transmission tunnel, hand laid139.95
- A8590 56-60 COVER - transmission tunnel, fiberglass, PM 224.95
- A8591 61-62 COVER - transmission tunnel, fiberglass, PM 224.95
- A1901 56-62 NUT SET - shift console retainer under body
(pr)7.55
- A1902 56-62 SCREW SET - shift pattern (pr)2.40

SHIFTER KNOB
chrome A7316
white A7318

SHIFTER
(see Shifter section)

SCREW KIT
A1902

SHIFT PATTERN
56-62 4 SPEED A1918
56-62 3 SPEED A1926
56-57 AUTO. A1934
58-61 AUTO. A1936
62 AUTO. A1938

BOOT
56-58 4 spd. &
56-62 3 spd.
A1924

BOOT
56-62 auto &
59-62 4 spd.
A1916

ASHTRAY
56-60E A1942
60L-62 A1944

CONSOLE PLATE
56-58 4 spd. A1908
56-62 3 spd. A1906
56-62 auto A1906
59-62 4 spd. A1908

NUT SET
A1901

SCREW KIT
A1904

A1904 56-62 SCREW SET - shifter console plate (pr)1.30
A8564 56-62 SHIELD - drive shaft, under body on fiberglass transmission tunnel cover, must be riveted in place51.00

COOLING SYSTEM

1955-62 Radiators - Aluminum Replacements

A1997 61-62	RADIATOR - aluminum replacement590.00
A2203 60-61	RADIATOR - aluminum replacement / top tank599.00
A1996 55-61E	RADIATOR - aluminum replacement.725.00

1955-62 Radiators - Brass Replacements

A2010 55-61	RADIATOR - brass replacement419.00
-------------	------------------------------	-------------

1960-62 Radiators - Aluminum, Exact Reproduction

A2017 60-61	BRACKET SET W/BOLTS & SEALS - tank top radiator w/bolts and seals (pr)160.00
A2019 60-61	RADIATOR - hi-perf / tank top/aluminum995.00
A2021 61	RADIATOR - specify car serial number879.00

NOTE: Early 1961's through serial number 1500 may have either a 1960 style copper radiator or a 1960 style tank top radiator. 1961 aluminum radiators with 1960 dates are unpainted. 1961 dated units are painted black.

A1994 62E	RADIATOR - used before serial number 9000. Specify car serial #879.00
A1993 62L	RADIATOR - used on serial # 9000 and later. Specify car serial #879.00

1961-62 Expansion Tank

A2205 61-62	BOLT - expansion tank strap to bracket1.60
A2077 61-62	BRACKET - expansion tank support, to exhaust manifold102.60
A2053 61E	CAP - expansion tank, AC W / #362, correct42.00
A2054 61L-62	CAP - expansion tank/radiator, AC-RC307, 13lb., (after Feb '61), (correct)45.30

STUD
A2078

CLAMP KIT
A2090

STRAP
A2076

CAP
A2055 61E RC306
A2054 61L-62 RC307

HOSE
A2082

TIE STRAP
A2920

DECAL
A2337

CLAMP
A2090

HOSE
A2080

HOSE
A2079

OVERFLOW CLAMP
A2081

BRACKET
A2077

EXP. TANK repl.
A2075 dated A2023

A2065 61-62 CLAMP/BRACKET - overflow tank hose3.65
A2079 61-62 HOSE - expansion tank overflow, (ribbed)7.95
A2080 61-62 HOSE - expansion tank to radiator6.95
A2082 61-62 HOSE - expansion tank to water pump6.95
A2027 61-62 REPAIR KIT - expansion tank tube (3 pc)23.85
A2076 61-62 STRAP - expansion tank9.95
A2078 61-62 STUD - expansion tank support, bracket mount on intake manifold5.00

A2023 61-62	TANK - expansion, w/pressed in tubes as original (GM part #3151016) dated (specify date .. when ordering, 1-2 week delivery)169.00
A2075 61-62	TANK - expansion, w/welded-in tubes159.00
A2920 61-62	TIE STRAP - short, expansion tank hose (aluminum)44.95

Fan Related

A2219 53-60	BOLT SET - fan blade to water pump 'S' head mark (4 pc)6.00
A2222 53-60	BOLT SET - fan blade to water pump 'TR' head mark (4 pc)7.85
A2204 53-60	BOLT SET - fan blade to water pump, 'WB' head mark, (4 pc)10.20
A2059 61-62	BOLT SET - fan clutch to water pump, 'Delta' head mark (4 pc)8.25
A2207 61-62	BOLT SET - fan clutch to water pump, 'Delta' HM (fine thread) (4pc)4.90

THERMOSTAT HOUSING
55-62 230, 250, 300HP correct A2013
55-62 230, 250, 300HP repl. A2034
58-61 2x4 FI or 62 340 FI A2035

Part of Hose Clamp Kit

FAN BLADE
55-57E A2007
57L-60 A2009
61-62 A2060

NUT & WASHER KIT
A2001

60-62 FAN CLUTCH
A2062

60 62 BOLTS
A6827

BOLT SET
A2059

LOWER CRANKSHAFT PULLEY

WATER PUMP PULLEY
56-57 A2049
58-62 A2095

HOSE
56-57 A2049
58-62 A2095

FAN BELTS

GENERATOR

FUEL PUMP

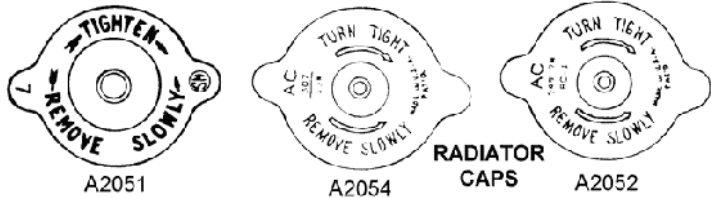
Part of Hose Clamp Kits

A2007 55-57E	FAN BLADE - 17'84.00
A2009 57L-60	FAN BLADE - 17' w/tipped ends, 4 blade (60 w/o F.I.)94.00
A2060 60-62	FAN BLADE - 5 blade (used with A2062 fan clutch, 60 w/F.I.)119.75
A2096 61-62	FAN CLUTCH - non thermal (replacement)39.95
A2062 61-62	FAN CLUTCH - thermal (OEM)134.00
A2097 61-62	FAN CLUTCH - thermal (replacement)48.95
A2001 61-62	NUT & WASHER KIT - fan to clutch1.85
A2206 60	SPACER - fan blade, all w/o fan clutch (used, reconditioned)35.00
A2217 61-62	STUD SET - fan to fan clutch6.00

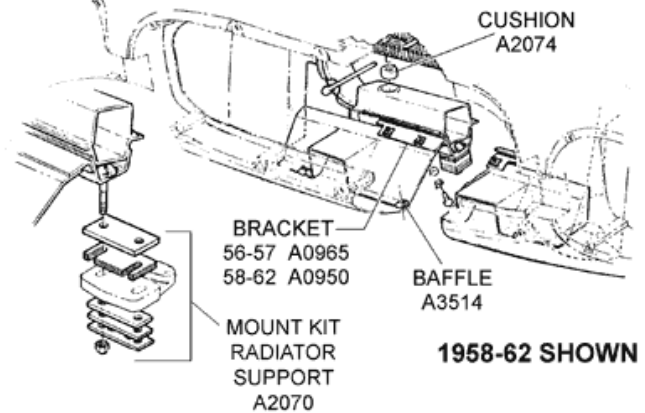
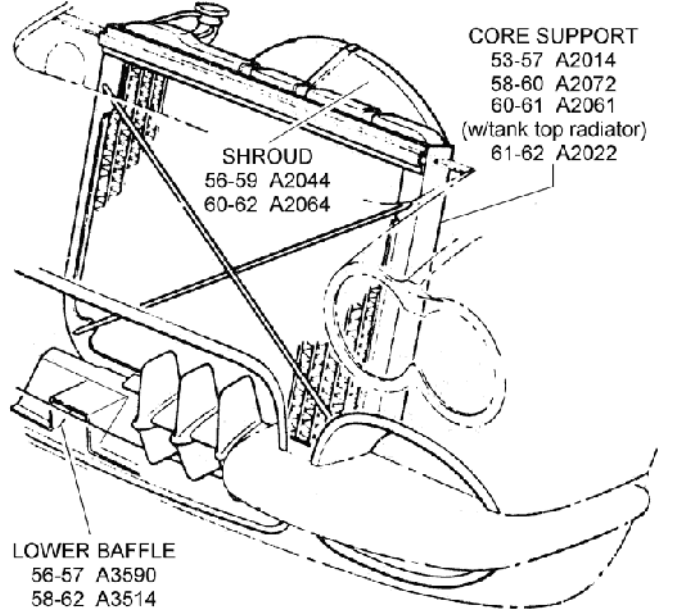
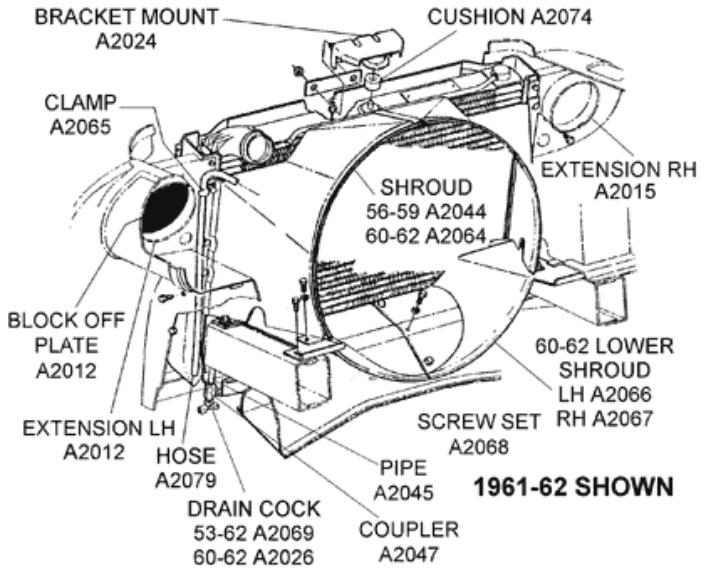
Radiator Fan Shrouds, Radiator Caps & Related

A3590 56-57	BAFFLE/PANEL - in front of core support, fiberglass (PM)87.50
A3514 58-62	BAFFLE/PANEL - in front of core support, fiberglass, white, (PM)79.95
A1959 53-60	BOLT SET - fan blade w/'WB' head mark (4 pc)9.65
A2043 56-62	BOLT SET - fan shroud to core support, core support to inner skirt, w/'E' head mark, correct (8 pc)9.65
A2088 58-62	BOLT SET - lower fan shroud to frame (4 pc)4.40
A2201 61-62	BRACKET - core support, lower, (w/cups)52.00
A0965 56-57	BRACKET - lower radiator fiberglass baffle mount, in front of radiator installs on A3590)46.20
A0950 58-60	BRACKET - on lower radiator fiberglass baffle mount A3514, in front of radiator46.20
A2016 53-54	BRACKET - overflow tank mounting33.75
A2017 60-61	BRACKET SET W/BOLTS & SEALS - tank top radiator w/bolts and seals (pr)160.00
A2024 61-62	BRACKET/MOUNT - radiator top, w/cushion and retainer54.95
A2041 53-55	CAP - radiator, 6 cylinder, RC2 (AC replacement)5.75

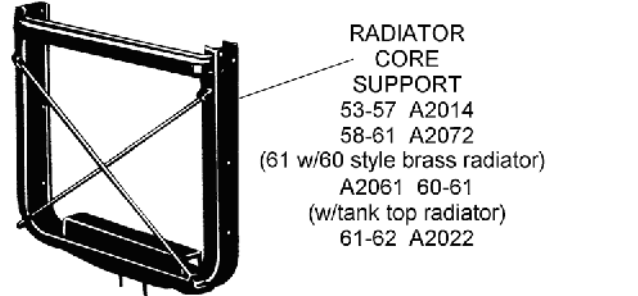
VISIT US ON THE WEB AT
www.ChicagoCorvette.net



	A2051	RADIATOR CAPS	A2052
A1999	53-54	CAP - radiator, (correct)	39.95
A2051	55-60	CAP - radiator, 'SM' logo, (correct)	35.00
A2056	55-61	CAP - radiator, 7 lb. (AC replacement)	10.75
A2052	58-61	CAP - radiator, '549', 7#RC1, copper radiator, (correct)	41.40
A2058	60-62	CAP - radiator, 15 lb. (AC replacement)	14.15
A2053	60-61E	CAP - radiator, w/top tank, aluminum, AC-362, (correct)	42.00
A2055	61E	CAP - radiator, aluminum, AC-RC306, 13lb, exc. top tank radiator (thru Feb.'61), (correct)	42.00
A2054	61L-62	CAP - expansion tank/radiator, AC-RC307, 13lb., (after Feb '61), (correct)	45.30
G9003	53-62	COOLANT ADDITIVE - 'water wetter'	7.95



A2014	53-57	CORE SUPPORT - radiator	294.00
-------	-------	-------------------------	--------



A2072	58-60	CORE SUPPORT - radiator	294.00
A2022	61-62	CORE SUPPORT - radiator	339.00
A2061	60-61	CORE SUPPORT - radiator, all w/tank top radiator	335.00
A2047	61-62	COUPLING FITTING - aluminum, drain cock extension to aluminum drain cock	14.00
A2074	61-62	CUSHION - radiator mount, (3 req), (ea)	2.50
A2026	60-62	DRAIN COCK - drain, all w/aluminum radiator, (correct)	17.95
A2069	53-62	DRAIN COCK - drain, all w/copper radiator	12.00
A2084	56-60	DRAIN COCK - drain, w/extension tube, brass radiator, (3 pc)	12.00
A2040	60-62	DRAIN KIT - aluminum radiator, w/coupling, extension & pet cock	44.25
A2015	58-62	EXTENSION - at core support w/fresh air inlet hole, (metal) RH	69.65
A2012	58-62	EXTENSION - at core support w/fresh air inlet hole, (metal), LH	69.65
A2045	61-62	EXTENSION/PIPE - drain pet cock, aluminum	12.00
A2018	60-61	HOSE - radiator overflow all with tank top radiator	7.75

A2029	53-61	ID PLATE - 'Harrison' brass radiator (up to VIN #1700, 1961) (specify year & date)	42.00
A2346	62L	ID PLATE - 'Harrison' radiator, second design, metal, (not date stamped)	11.00
A2344	60-62E	ID PLATE/METAL - early engine special equipment, stamped 61/62, aluminum Harrison radiator metal plate	22.50

NOTE: The date on a radiator is stamped on radiator top plate.

A2070	53-62	MOUNTING KIT - radiator support, lower, w/2 carriage bolts	16.95
B5035	53-62	PAINT - black/radiator - improves cooling efficiency and gives radiator that factory look, (12 oz aerosol)	14.65
A5198	56-62	PLATE - air block-off on radiator support extension, LH, for all except high horse power F.I. cars	22.35
A2083	60-61E	PLUG - tank top radiator top, clear, w/'T418' marking, as original	40.95
A5124	58-62	SCREEN KIT - fresh air inlet, in front core support area, w/screws (1 or 2 req.), (ea), & all on RH/all w/o hi-perf fuel inj. 58-62 on LH	25.35
A2048	56-59	SCREW SET - fan shroud assembly, lower (18 pc)	11.95
A2068	60-62	SCREW SET - fan shroud assembly, lower (5 pc)	4.95
A1992	60-62	SCREW SET - radiator metal I.D. plate, (pr)	2.75
A2033	53-55	SEAL - lower radiator	29.00
A2071	58-62	SEAL KIT - core support, lower, w/base engine, (3 pc)	9.00
A2073	58-62	SEAL KIT - core support, sides, 2x4/F.I., (pr)	10.00
A2031	60-61	SEAL KIT - hi-performance. top tank radiator, (4 pc)	19.25
A2066	60-62	SHROUD - fan, lower, LH	47.95
A2067	60-62	SHROUD - fan, lower, RH	59.50
A1981	55	SHROUD - fan, upper	179.80
A1982	56-57	SHROUD - fan, upper	179.00
A2044	58-59	SHROUD - fan, upper	179.00
A2064	60-62	SHROUD - fan, upper	197.25
A2046	55-59	SHROUD KIT - fan, lower, w/screws, (55 replacement), (3 pc)	89.00
A2063	60-62	SHROUD KIT - fan, upper, LH & RH lower, w/screw set, (3pc)	255.00
A1983	56-57	SHROUD KIT - fan, w/screws - upper/lower	245.00
A2042	58-59	SHROUD KIT - fan, w/screws, (A2044 & A2046), (4 pc)	265.00

Radiator & Heater Hose Clamp Sets

A2085 59-62	CLAMP - upper radiator hose 2 1/16"/dated	6.95
A2999 56-62	CLAMP KIT - heater hose, corbin type, 3/4", (pr)	2.50
A3000 56-62	CLAMP KIT - heater hose, corbin type, 5/8", (pr)	2.50
A2090 61-62	CLAMP KIT - hoses (16 pc)	36.20
A2089 59L-60	CLAMP KIT - hoses, after VIN #2990 (12 pc)	22.00

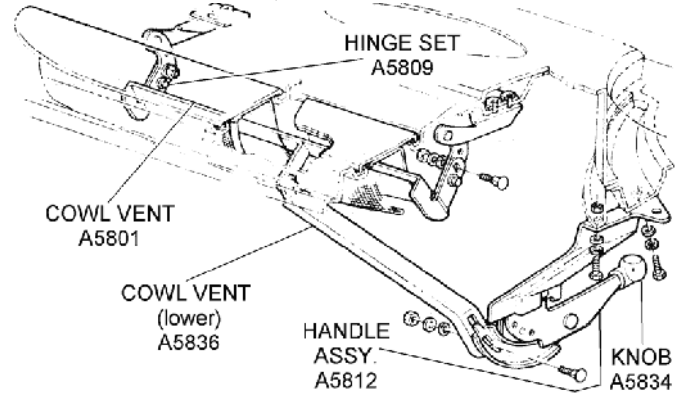
NOTE: In 1959 wire style upper and lower radiator clamps were used through approximately serial #2990. Afterward, the tower style clamps were used.

A3002 61-62	CLAMP KIT - hoses, dated, (specify 1st or 4th quarter), (16pc)	42.50
A2081 58-59E	CLAMP KIT - hoses, to VIN #2990 (12 pc)	10.50
A2087 55-58	CLAMP KIT - hoses, w/ 5/8 heater hose (12 pc)	11.25
A2057 61-62	CLAMP KIT - upper & lower radiator hoses, dated 1 or 4Q, specify (4pc)	55.55
A8313 53-62	PLIERS (CORBIN TYPE) - wire hose clamp removal	42.45

A2025 53-62	THERMOSTAT - 160 degree	6.95
A2037 53-62	THERMOSTAT - 180 degree	6.95
A2000 53-62	THERMOSTAT - 195 degree	6.95

COWL VENT & RELATED

A5855 53-57	HANDLE ASSEMBLY - cowl vent (original reconditioned)	CALL
-------------	--	------



A5812 58-62	HANDLE ASSEMBLY - cowl vent (original reconditioned)	CALL
A5809 53-62	HINGE SET - cowl vent, reconditioned (pr)	CALL
A5834 53-62	KNOB - cowl vent handle	16.85
A5836 58-62	LEVER - cowl vent link, rivets to cowl vent assembly, SS	69.35
A5801 56-62	LID & SCREEN ASSEMBLY - cowl vent (used)	194.95
A5842 53-57	MOUNT KIT - cowl vent & handle, (32 pc)	9.85
A5843 58-62	MOUNT KIT - cowl vent & handle, (35 pc)	10.95
A9292 53-62	WEATHERSTRIP - cowl vent	10.50

Radiator Hoses / Molded Replacements

A2032 55-62	HOSE - lower radiator	26.80
A2036 57-62	HOSE - upper radiator w/F.I.	23.00
A2030 56-62	HOSE - upper radiator w/o F.I.	23.00

Radiator Hoses With GM Logos & Part Numbers

A2049 55-57	HOSE - lower radiator, w/GM #3715183	35.85
A2095 58-62	HOSE - lower radiator, w/GM #3754505	29.35
A2091 56-60	HOSE - upper radiator, 1x4 w/GM #3715184	35.85
A2028 56-60	HOSE - upper radiator, w/2x4, F.I. w/GM #3728490	30.25
A2092 60-61	HOSE - upper radiator, w/spec. hi-perf., F.I. & top tank aluminum radiator w/GM #3777482	30.80
A2093 61-62	HOSE - upper radiator, all 2x4 or F.I. w/GM #3788192	33.75
A2094 61-62	HOSE - upper radiator, all except hi-lift cam w/GM #3788191	29.35

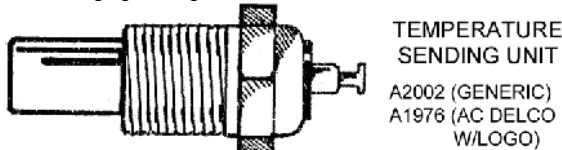
Temperature Sending Units & Related

A2004 56-60E	BRACKET SET - temperature wire on valve cover (pr)	10.60
--------------	--	-------



A2006 60L-62	BRACKET SET - temperature wire on valve cover (pr)	8.00
A0013 56	REPAIR KIT - engine harness, temperature sender wire (orange) w/connector terminal & loom	7.95
A2008 57-62	REPAIR KIT - engine harness, temperature sender wire (dark blue) w/terminal & loom	11.95
A2002 57-62	SENDING UNIT - temperature, in intake (repl)	8.00

NOTE: Temperature sending unit A2002 may vary in calibration causing possible inconsistencies in gauge readings.



A1976 57-62	SENDING UNIT- temperature, intake - w/AC Delco Logo	29.95
-------------	---	-------

Water Outlet / Thermostat Housings

A2039 56-62	BOLT SET - thermostat housing, 'TR' head mark, all w/o special hi-performance (for	6.70
A2034 61-62	GASKET - thermostat housing/water outlet	2.25
A2034 55-62	HOUSING - thermostat, 1x4 intakes, cast iron	34.45
A2035 56-62	HOUSING - thermostat, aluminum, all w/aluminum intake, correctly numbered (as original)	65.00
A2013 55-62	HOUSING - thermostat, GM #3711268, all 1x4 intakes, cast iron	56.35
A1998 55-62	HOUSING - thermostat, GM #3711268, all 1x4 intakes, cast iron, original restored	79.95
A1989 56-62	NUT SET - water outlet housing studs, all w/aluminum intake, (pr)	1.00
A2038 56-62	STUD SET - 2x4, F.I. thermostat housing (stainless steel)(pr)	12.70

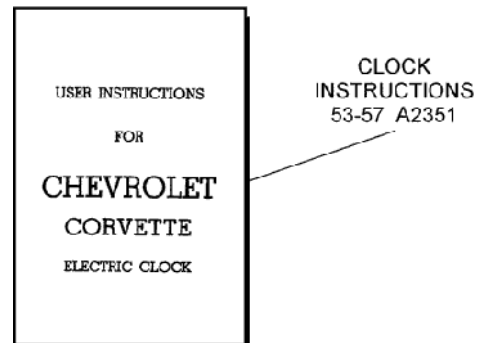
DECALS, INSTRUCTIONS & LABELS

Air Cleaner



AIR CLEANER INSTRUCTION DECAL - A2302		
A2302 58-61	INSTRUCTIONS - F.I. (AC type A77C) AIR CLEANER - original water based type as original-not Mylar	10.95
A2304 62	INSTRUCTIONS - F.I. (AC type A145C) AIR CLEANER	6.00

Clock



A2351 53-57	INSTRUCTIONS - clock	4.65
A2406 58-61E	INSTRUCTIONS - clock warranty folder	6.35
A2407 61L-62	INSTRUCTIONS - clock warranty folder	6.35
A2339 60-62	INSTRUCTIONS - electrically wound clock	4.80

Decal Kits

A2365 56	DECAL KIT - all horsepower, (6 pc)	16.00
A2367 57	DECAL KIT - 220 horsepower, (8 pc)	16.00
A2309 57	DECAL KIT - 245 horsepower, (8 pc)	16.00
A2369 57	DECAL KIT - 250 horsepower, (8 pc)	16.00
A2371 57	DECAL KIT - 270 horsepower, (8 pc)	16.00
A2373 57	DECAL KIT - 283 horsepower, (8 pc)	16.00

A2313	58	DECAL KIT - 230 horsepower, (8 pc)	16.00
A2315	58	DECAL KIT - 245 horsepower, (8 pc)	16.00
A2377	58-60	DECAL KIT - 245 horsepower, (8 pc)	16.00
A2317	58	DECAL KIT - 250 horsepower, (9 pc)	16.00
A2381	59-60	DECAL KIT - 250 horsepower, (9 pc)	16.00
A2319	58	DECAL KIT - 270 horsepower, (8 pc)	16.00
A2383	59-60	DECAL KIT - 270 horsepower, (8 pc)	16.00
A2321	58	DECAL KIT - 290 horsepower, (9 pc)	16.00
A2389	58-60	DECAL KIT - 290 horsepower, (9 pc)	16.00
A2375	59-60	DECAL KIT - 230 horsepower, (8 pc)	16.00
A2340	60	DECAL KIT - 315 horsepower, (9 pc)	16.00
A2341	61	DECAL KIT - 230 horsepower, (8 pc)	20.45
A2342	61	DECAL KIT - 245 horsepower, (8 pc)	20.55
A2343	61	DECAL KIT - 270 horsepower, (8 pc)	20.45
A2345	61	DECAL KIT - 275 horsepower, (9 pc)	20.45
A2349	61	DECAL KIT - 315 horsepower, (9 pc)	20.45
A2390	62	DECAL KIT - 250 horsepower, (11 pc)	20.45
A2391	62	DECAL KIT - 300 horsepower, (11 pc)	20.45
A2392	62	DECAL KIT - 340 horsepower, (9 pc)	20.45
A2393	62	DECAL KIT - 360 horsepower, (10 pc)	20.45

Deck Lid

A2415	53-54	DECAL - convertible top instructions, (is affixed to the underside of the deck lid cover)	7.25
-------	-------	---	------

Distributor ID Tags

A2384	58-62	ID BAND - around distributor under housing, Delco Remy w/date And number 'as original', (specify dist. part # & date, all 230 hp)	30.25
A2382	55-61	ID TAG - with rivets, metal, black 55-56 all, 57-61 with dual point, stamped w/correct part number and date 'as original'	29.95

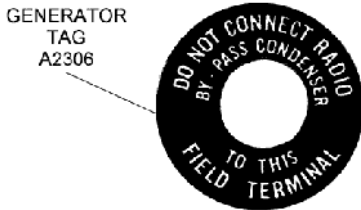
Frame

Gauges

A2307	58-62	TAG - fuel gauge warning, (on back of fuel gauge)	17.90
-------	-------	---	-------

Generator

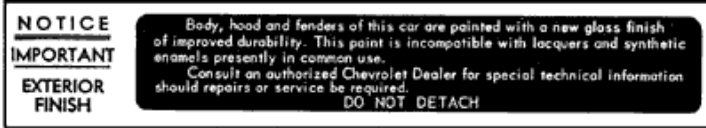
A2380	53-62	TAG - for generator / metal, red w/correct rivets, stamped w/correct part number & date, as original	30.75
-------	-------	--	-------



A2306	53-62	TAG - red circle/cardboard, field pole	3.15
-------	-------	--	------

Glove Box Labels & Inserts

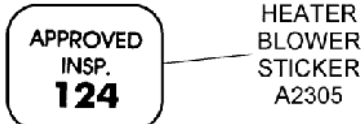
A2310	56-60	CARD - engine break-in	4.15
A2361	53-57E	CARD - lacquer paint care	2.00
A2399	53-54	CARD - quality contact	4.05



GLOVE BOX LABEL - A2308

A2308	57L-61	LABEL - acrylic paint notice, (1957 partial)	3.15
-------	--------	--	------

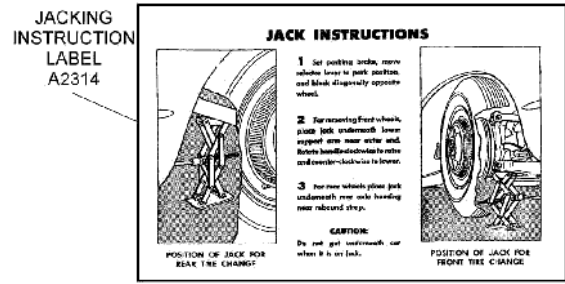
Heater Blower



A2305	56-62	STICKER - heater/blower inspection (on interior side of heater core housing), '#124'	3.65
-------	-------	--	------

Jacking Instructions

A2323	58-62	DECAL - heavy duty brake scoop, (on spare tire board)	45.45
-------	-------	---	-------



A2314	53-60	LABEL - jacking instructions	4.95
A2316	61-62	LABEL - jacking instructions	3.95

Oil Filler Cap

A2324	55-58	DECAL - oil filler cap, orange & black	3.15
-------	-------	--	------

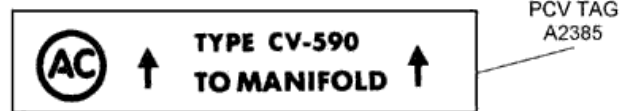


A2326	59-61	DECAL - oil filler cap, black & gold	3.15
-------	-------	--------------------------------------	------

Oil Filter Canister

A2318	56-57	DECAL - oil filter canister, PF-131 instructions	3.50
A2320	58-62	DECAL - oil filter canister, PF-141 instructions	3.45

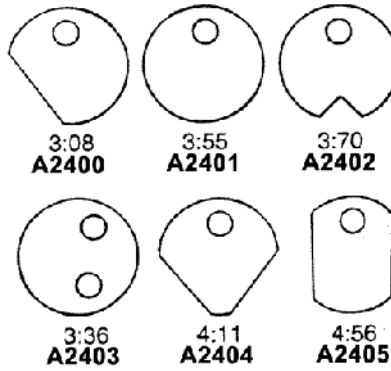
PCV - Positive Crankcase Ventilation System



A2385	62	TAG - CV590, PCV valve, w/closed vent system, (California)	4.95
A2301	61-62	TAG - PCV, hangs from mirror (California)	29.30

Posi-Traction & Rear End

A2328	57-58	DECAL - all w/posi-traction, 'CAUTION'	6.00
A2330	59-62	DECAL - all w/posi-traction, 'CAUTION'	3.95
A2400	55-62	TAG - metal, rear axle ID, 3:08 ratio	8.25
A2403	55-62	TAG - metal, rear axle ID, 3:36 ratio	8.25
A2401	55-62	TAG - metal, rear axle ID, 3:55 ratio	8.25
A2402	55-62	TAG - metal, rear axle ID, 3:70 ratio	8.25
A2404	55-62	TAG - metal, rear axle ID, 4:11 ratio	8.25
A2405	55-62	TAG - metal, rear axle ID, 4:56 ratio	8.25



REAR AXLE TAGS

These metal tags, about 1 1/2" in diameter, were used on the axle housing stud at the 2 o'clock position.

The different shapes show which ratio ring & pinion was installed.

A2332	58-62	TAG - round metal, 'Limited Slip', for rear end	10.10
-------	-------	---	-------

Radiator & Cooling System

A2029	53-61	ID PLATE - 'Harrison' brass radiator (up to VIN #1700, 1961) (specify year & date)	42.00
-------	-------	--	-------



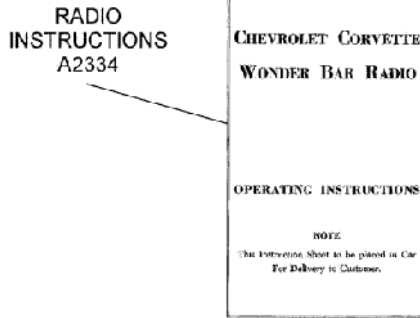
RADIATOR PLATE A2346

A2346	62L	ID PLATE - 'Harrison' radiator, second design, metal, (not date stamped)	11.00
-------	-----	--	-------

A2344 60-62E	ID PLATE/METAL - 'Harrison', aluminum radiator, w/part # & date (specify when ordering)22.50
A2347 60-62	SCREW SET - metal radiator tag (pr)2.20
A2336 55-57	STICKER - 'Caution' on RH side of radiator left of filler neck3.15
A2338 58-61	STICKER - 'Caution' on brass radiator top, just right of center3.70
A2337 61-62	STICKER - 'Caution' on expansion tank, on inner fender, side of the expansion tank under the radiator cap1.75

Radio

A2353 53-57	INSTRUCTIONS - Wonderbar radio operation4.45
-------------	--



A2334 58-62	INSTRUCTIONS - Wonderbar radio operation, GM #72827553.95
-------------	---

Starter

A2386 53-56	ID TAG - red metal, stamped with correct part number and date 'as original' (w/rivets) 29.75
-------------	--

Valve Cover

A2311 53	DECAL - 'Blue Flame Six'8.00
A2312 54	DECAL - 'Blue Flame Six'12.10
A2303 62	DECAL - warranty, 12 month/12,000 mile, inside of hood19.45

NOTE: On 1957-61 Corvettes, only 1 decal was used on the right hand valve cover from the factory.

A2350 57	DECAL SET - '220' horsepower, gold, pr3.95
A2354 58-61	DECAL SET - '230' horsepower, gold, pr3.95
A2356 56-61	DECAL SET - '245' horsepower, w/2x4 BBL (red, pr)3.95
A2358 57-60	DECAL SET - '250' horsepower, w/F.I. (red, pr)3.95

VALVE COVER DECAL A2366



A2366 62	DECAL SET - '250' horsepower, 3273.95
A2360 57-61	DECAL SET - '270' horsepower, 2 x 4 BBL (red, pr)3.95
A2362 61	DECAL SET - '275' horsepower, w/F.I. (red, pr)3.95
A2352 57	DECAL SET - '283' horsepower, w/F.I. (red, pr)3.95
A2355 58-60	DECAL SET - '290' horsepower, w/F.I. (pr)3.95
A2368 62	DECAL SET - '300' horsepower, 327 (pr)3.95
A2364 60-61	DECAL SET - '315' horsepower, w/F.I. (red, pr)3.95
A2370 62	DECAL SET - '340' horsepower, w/solids & 4 BBL (pr)3.95
A2372 62	DECAL SET - '360' horsepower, special hi-performance w/F.I. (pr)3.95
A2374 62	DECAL SET - 'Chevrolet Turbo-Fire' (metal, pr)10.50
B2362 62	DECAL SET - 'Chevrolet Turbo-Fire' (Mylar, pr)5.65
A2865 56-57	STENCIL - valve cover, for painting the 'Chevrolet' script on your valve covers (ea) 13.60

Washer Bottle

WASHER BOTTLE DECAL A2395

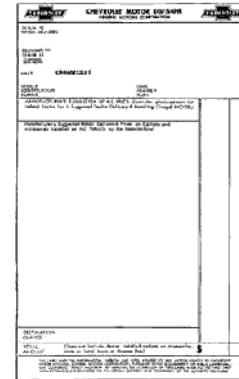


A2395 58-62	DECAL - washer bottle dry cycle adjustment ...3.75
-------------	--

Window: Convertible Top - Rear

A2378 53-56E	TAG - warning, rear window, convertible top . .3.60
A2379 57L-62	TAG - warning, rear window, convertible top . .3.60

Window: Sticker



WINDOW STICKER A2300

A2300 53-64	STICKER - window4.25
-------------	----------------------------

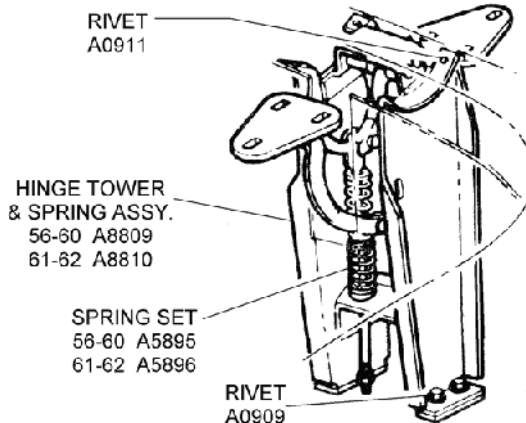
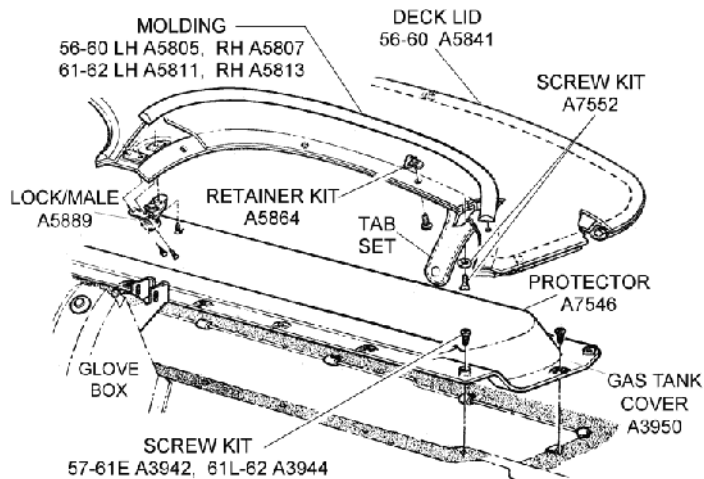
DECK LID

Convertible & Hard Top

A5870 53-62	BEZEL - deck lid open, around push button ...18.95
A4818 56-62	BOLT SET - hard top hold-down (stainless steel) . .6.90
A8568 53-58	BOLT SET - hinge to convertible deck lid, 'TR' head mark, (6 pc)15.30
A5898 59-62	BOLT SET - hinge to convertible deck lid, 'C' head mark, (6 pc)6.85
A8885 53-62	BOLT SET - hinge to deck lid, replacement, (6 pc)6.60
A0508 56-62	BRACKET - rear wire harness & antenna cable under deck lid, long6.95
A0510 56-62	BRACKET - rear wire harness & antenna cable under deck lid, short5.75
A2626 56-62	BUMPER/STOP KIT - deck lid, w/screws (pr) . . .6.75
A5860 53-56	CLIP - holds button w/rod to latch assembly .2.25
A5841 56-60	DECK LID - fiberglass, PM650.00
A5844 61-62	DECK LID - fiberglass, used349.95
A8817 53-55	FELT - window protector, on gas tank cover, tan30.50
A7546 56-62	FELT - window protector, on gas tank cover, black44.00
A4054 56-62	GASKET SET - hard top anchor nut (pr)2.10
A4056 56-62	GASKET SET - soft top latch on rear deck lid (pr)5.00
A8809 56-60	HINGE & SPRING TOWER - trunk & deck lid, (specify LH/RH) (used)195.00
A8810 61-62	HINGE & SPRING TOWER - trunk & deck lid, (specify LH/RH used)195.00
A7506 53-55	LATCH SET - rear, on deck lid (pr)194.75
A7532 56-57	LATCH/LOCK - rear soft top, on deck lid, w/studs, (2 req, ea)149.65
A7534 58-62	LATCH/LOCK - rear soft top, on deck lid, w/o studs (2 req, ea)124.95
A5888 53-57	LATCH/LOCK ASSEMBLY - conv. top deck lid retaining, female, on body175.00
A5887 58-62	LATCH/LOCK ASSEMBLY - conv. top deck lid retaining, female, on body95.00
A5889 58-62	LOCK ASSEMBLY - male, on deck lid, (used) . .127.95

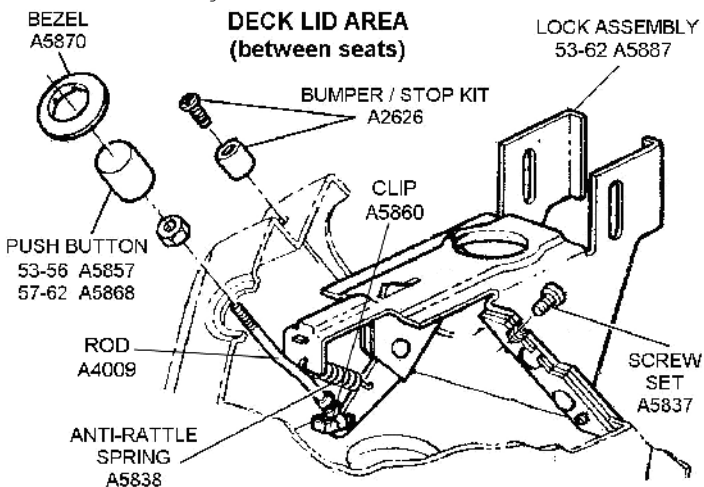
Quality - Service - Price
We have it all. Give us a call.

VISIT US ON THE WEB AT
www.ChicagoCorvette.net



A5805	56-60	MOLDING - seat back, on deck lid, LH, (original, used)	195.00
A5807	56-60	MOLDING - seat back, on deck lid, RH, (original, used)	195.00
A5811	61-62	MOLDING - seat back, on deck lid, LH, (original, used)	195.00
A5813	61-62	MOLDING - seat back, on deck lid, RH, (original, used)	195.00
A4810	56-60	MOUNT KIT - hard top (3 each of A4860/A4818/A4054)	35.95
A4812	61-62	MOUNT KIT - hard top (4 each of A4860/A4818/A4054)	44.35
A4862	56-62	NUT - hard top anchor hold-down, jamb type (ea)	1.00
A4860	56-62	NUT - hard top hold down anchor on deck lid (stainless steel)	6.80
A5875	56-62	PROTECTOR - deck lid, keeps hard top from rubbing on deck lid	28.95

A5895	56-60	SPRING SET - trunk & deck lid hinge, (4 pc) ..	32.50
A5896	61-62	SPRING SET - trunk & deck lid hinge, (4 pc) ..	37.35
A8811	56-62	STOP KIT - deck lid flip-up, w/screws	5.75
A0570	53-57	STRIKER - deck lid lock assembly	19.95
A5897	56-67	STRIKER - male deck lid lock, on deck lid ..	16.50
A7508	53-55	STRIKER PLATE SET - on deck lid (pr)	54.50
A5614	56-57	TAB SET - convertible top, slider type (pr) (specify color)	35.00
A5686	58	TAB SET - convertible top, slider type (pr) (specify color)	48.00
A5631	59-62	TAB SET - convertible top, slider type (pr) (specify color)	36.00
A5671	56-57	TAB SET - convertible top, snap type (pr) (specify color)	35.00
A5672	58	TAB SET - convertible top, snap type (pr) (specify color)	48.00
A5673	59-62	TAB SET - convertible top, snap type (pr) (specify color)	36.00
A9248	53-58	WEATHERSTRIP - deck lid (ea)	16.00
A9250	59-62	WEATHERSTRIP - deck lid (tubular)	15.45
A9251	61-62	WEATHERSTRIP - deck lid - tubular w/3 ribs & molded ends	49.00



A5857	53-56	PUSH BUTTON & ROD - deck lid release (used, may require some replating)	49.95
A5868	56-62	PUSH BUTTON - deck lid opening	21.40
A5864	56-62	RETAINER KIT - 2 moldings, deck lid, 8 clips/screws	46.75
A4009	58-62	ROD & CLIP - deck lid, push button to latch assembly	13.75
A7550	58-62	SCREW & NUT KIT - soft top rear latches on deck lid (16 pc)	6.55
A3942	57-61E	SCREW KIT - gas tank cover, w/J-nuts (54 pc)	17.00
A3944	61L-62	SCREW KIT - gas tank cover, w/J-nuts (45 pc)	29.00
A7552	56-62	SCREW SET - convertible top tabs (8 pc)	3.35
A7597	56-57	SCREW SET - deck lid latch/lock assembly, female on body	3.70
A5871	56-62	SCREW SET - deck lid molding clips (8 pc)	9.30
A5839	58-62	SCREW SET - latch on deck lid, (3 pc)	3.50
A5837	58-62	SCREW SET - latch/lock, deck lid, female, on body, (4 pc)	2.95
A7598	53-57	SHIM - deck lid lock striker (ea)	2.85
A7599	56-62	SHIM SET - deck lid hinge, (6 pc)	15.45
A5675	56-62	SNAP SET - convertible top tab, on body (2 pc)	3.25
A5689	56-62	SNAP SET - slide type for convertible top tab, (pr)	7.85
A5838	56-62	SPRING - anti rattle, female deck lid latch on body	6.30
A8805	58-62	SPRING - deck lid pop-up	9.45

DOOR: INTERNAL & EXTERNAL, DOOR JAM, HINGE PILLAR, POWER WINDOWS

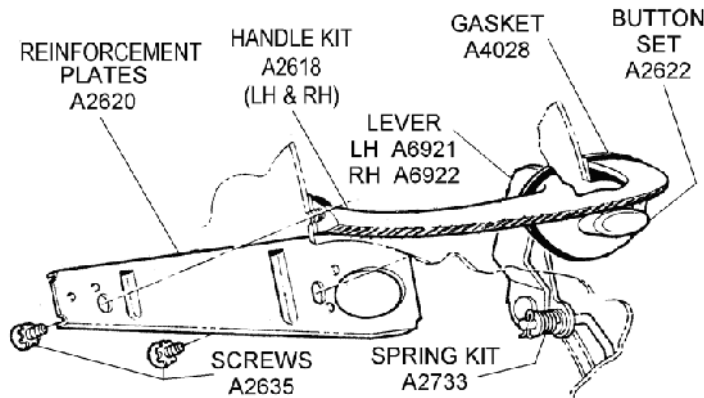
Access Plates Behind Door Panels

A2646	56-57	ACCESS PLATE - inner door, large, LH or RH ..	30.95
A2650	58	ACCESS PLATE - inner door, large, LH	42.95
A2654	59-61	ACCESS PLATE - inner door, large, LH	42.95
A2658	62	ACCESS PLATE - inner door, large, LH	42.95
A2652	58	ACCESS PLATE - inner door, large, RH	42.95
A2656	59-61	ACCESS PLATE - inner door, large, RH	38.00
A2660	62	ACCESS PLATE - inner door, large, RH	42.95
A2662	56-62	ACCESS PLATE - inner door, small	15.30
A2649	56-57	ACCESS PLATE KIT - inner door, w/fasteners (includes A2646, A2648 (2)A2662, A2629)	82.95
A2657	58	ACCESS PLATE KIT - inner door, w/fasteners (includes A2650, A2652, (2)A2662, A2629) ..	104.95
A2659	59-61	ACCESS PLATE KIT - inner door, w/fasteners (includes. A2654, A2656, (2)A2662, A2629) ..	104.95
A2663	62	ACCESS PLATE KIT - inner door, w/fasteners (includes. A2658, A2660, (2)A2662, A2629) ..	104.95
A1655	56-62	COVER KIT - inner door bolt access holes, does both doors, (2pc)	7.35
A5988	56-62	REPAIR KIT - door panel mounting (repairs oversize panel holes in door) (metal reinforcements & pop rivets)	28.60
A2629	56-62	SCREW SET - door access plates, (22 pc)	4.10
G2600	56-62	STRIP CAULK - door access plates, (10 1-foot strips)	6.45

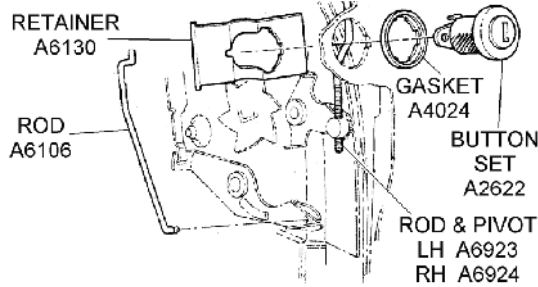
Handle & Door Lock - Exterior & Interior

A6121	56-62	'O' RING SET - door handle push button, (pr)	3.25
A6132	56-62	BEZEL/ESCUTCHEON - door lock (2 req., ea) ..	8.95
A2622	56-62	BUTTON SET - door handles, w/springs (pr) ..	32.95
A6131	56-62	CLIP - door lock pawl retainer (pr)	2.95
A6970	56-62	CONTROL - door lock / LH or RH	31.40
A4024	53-62	GASKET SET - door and trunk locks	3.00
A4028	56-62	GASKET SET - door handles (4 pc)	5.30

VISIT US ON THE WEB AT
www.ChicagoCorvette.net



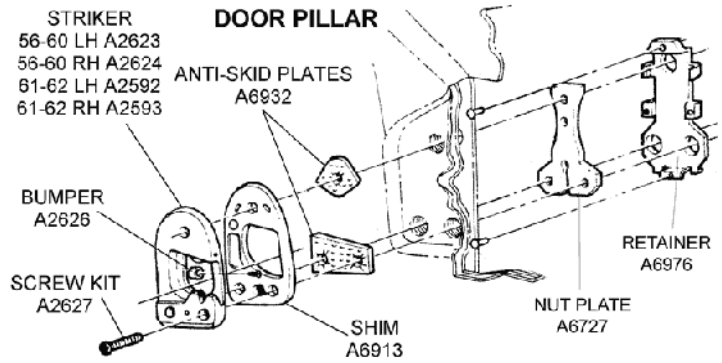
A2618	56-62	HANDLE KIT - outside doors, complete, includes: handles, buttons, gaskets, screws, retainers & springs (pr)	79.95
A6921	56-62	LEVER - door handle push button, LH	14.00
A6922	56-62	LEVER SET - door handle push buttons LH/ RH (pr)	22.50
A6983	56-57	MECHANISM - door opening, used, (reconditioned), LH	CALL
A6984	58	MECHANISM - door opening, used, (reconditioned), LH	CALL
A6987	59-62	MECHANISM - door opening, used, (reconditioned), LH	CALL
A6985	56-57	MECHANISM - door opening, used, (reconditioned), RH	CALL
A6986	58	MECHANISM - door opening, used, (reconditioned), RH	CALL
A6988	59-62	MECHANISM - door opening, used, (reconditioned), RH	CALL
A2620	56-62	REINFORCEMENT PLATE SET - door handles (pr) ..	18.75
A6130	53-62	RETAINER - door lock	8.30
A6980	56-62	RETAINER - door rod, (wire)	8.95
A6123	56-62	RETAINER SET - door handle buttons, (pr)	4.50
A6923	56-62	ROD - door handle push button, w/pivot, LH ..	27.15
A6924	56-62	ROD - door handle push button, w/pivot, RH ..	14.50
A2695	56-58	ROD - door lock control, (stainless steel) ..	9.85
A2697	59-62	ROD - door lock control, (stainless steel) ..	11.10



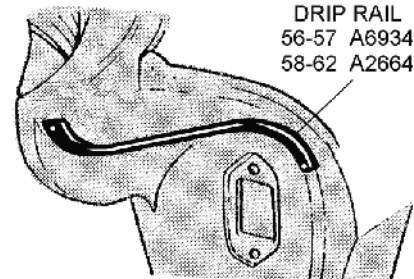
A6106	56-62	ROD - door lock cylinder, down	12.35
A6990	56-62	ROD - door lock mechanism to bell crank rod, stainless steel (ea)	10.50
A6945	56-57	ROD - door open pull, (stainless steel), (ea)	12.60
A6947	58	ROD - door open pull, (stainless steel), (ea)	12.60
A6948	59-62	ROD - door open pull, (stainless steel), (ea)	12.60
A2635	56-62	SCREW SET - door handle mounting (4 pc)	3.40
A6184	56-62	SCREW SET - door handle mounting, clutch head, (4 pc)	5.40
A2665	56-62	SLEEVE KIT - door open pull rods, replacement cloth (pr)	9.20
A2733	56-62	SPRING & WASHER KIT - door handle lever rod ..	9.90
A2647	56-62	SPRING SET - door inside opening mechanism ..	4.75
B2660	56-62	SPRING SET - door pull mechanism (pr)	5.50
A2609	56-62	SPRING SET - door push buttons (2pc)	6.65
A6973	56-62	SPRING SET - inside door opening mechanism, (pr)	5.95

Hinge Pillar, Sill, & Striker Area

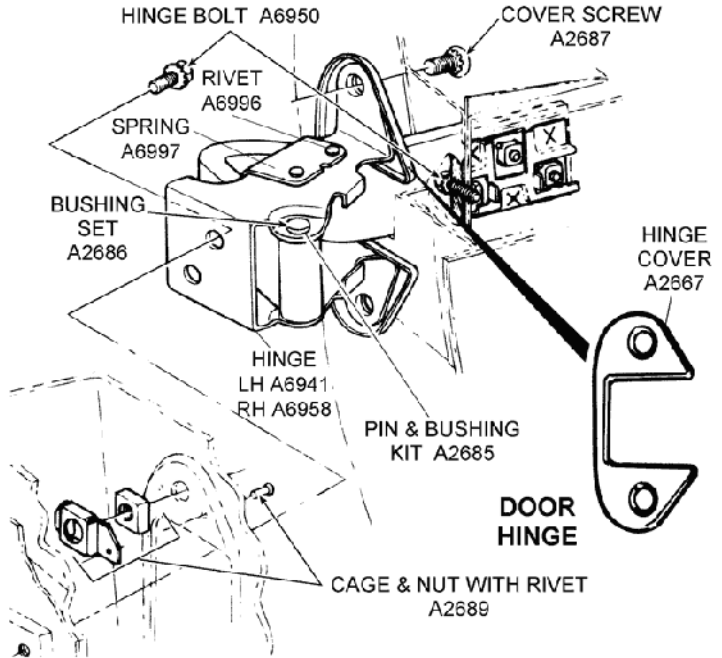
A6950	56-62	BOLT SET - inner door hinge/hinge cowl, hex head bolt, does one door (10 pc)	17.50
-------	-------	--	-------



A2626	56-62	BUMPER/STOP KIT - door striker, w/screws (pr)	6.75
A2686	56-62	BUSHING SET - door hinge pins, (8 pc)	6.00
A2689	56-62	CAGE & NUT ASSEMBLY - (inner door hinge pillar, rivets to door hinge pillar) (ea)	4.50
A2690	56-62	CAGE & NUT ASSEMBLY - (inner door hinge pillar, rivets to door hinge pillar), (8 pc) ..	34.95
A2678	56-62	CONDUIT SET - power window harness at hinge pillars, (pr)	54.95
A2667	56-62	COVER SET - door hinge, welds to existing hinge frame, (4 pc)	33.85



A6934	56-57	DRIP RAIL SET - on hinge pillar (pr)	91.70
A2664	57L-62	DRIP RAIL SET - on hinge pillar, (metal/pr) ..	40.00
A5856	61-62	FILLER STRIP SET - sill plate (pr)	20.90
A5852	53-60	FILLER STRIP SET - sill plate, oak (pr)	23.50
G5107		GREASE - white lithium, all purpose, anti-moisture, 16 oz. aerosol	5.95

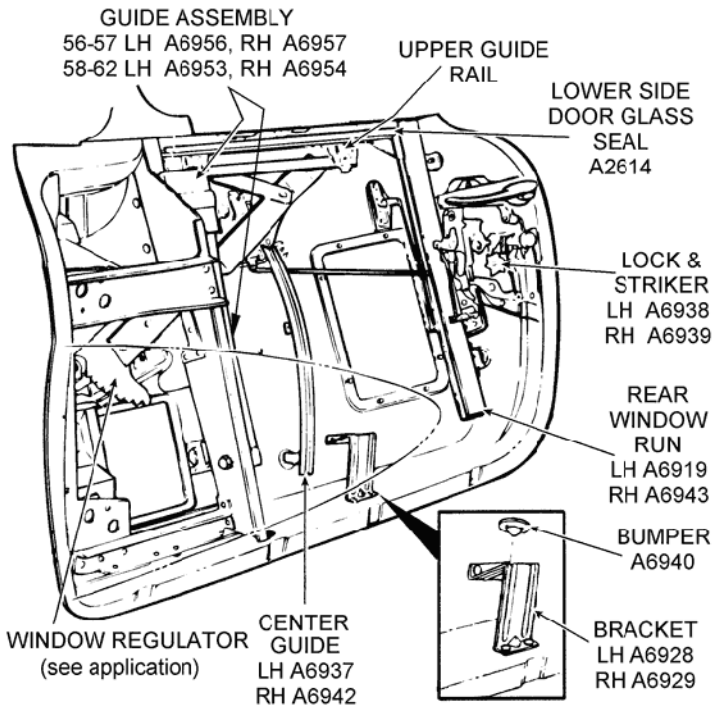


A6941	56-62	HINGE - LH, w/new bushings & pin (original/reconditioned) w/exchange (core \$45.00)	95.00
A6958	56-62	HINGE - RH, w/new bushings & pin (original/reconditioned) w/exchange (core \$45.00)	95.00
A6938	56-59	LOCK & STRIKER ASSEMBLY - on rear of door, LH	109.95
A6939	56-59	LOCK & STRIKER ASSEMBLY - on rear of door, RH	109.95

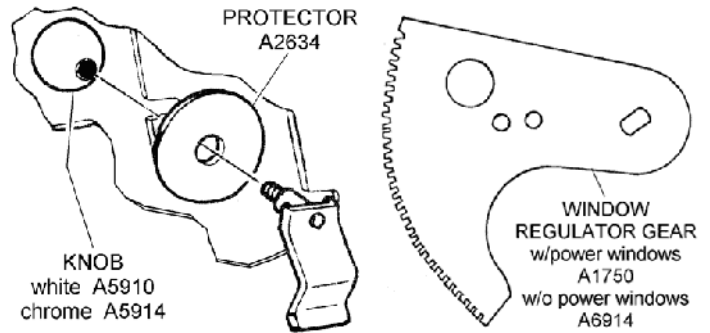


A6968 56-59	LOCK & STRIKER ASSEMBLY SET - on rear of door, LH & RH179.00
A6974 60-62	LOCK & STRIKER ASSEMBLY SET - on rear of door, LH & RH179.00
A6927 56-62	NUT PLATE - door striker retainer, behind door rear hinge pillar, fiberglass held in place by A6926 (reconditioned)CALL
A2685 56-62	PIN & BUSHING KIT - door hinge repair (4 pins & 8 bushings)15.30
A2684 56-62	PIN - door hinge6.85
A6995 56-62	PLATE & SCREW SET - door lock pivot retainer, (pr)19.45
A6932 56-62	PLATE SET - anti skid for door striker, (stainless steel), (4 pc)23.95
A6949 56-62	REINFORCEMENT - upper window stop, in door, (2 req., ea)17.45
A6130 53-62	RETAINER - door lock8.30
A6926 56-62	RETAINER - door striker nut plate, 3 hole (behind hinge pillar)17.95
A2601 56-57	RETAINER PLATE - door hinge to body nut, LH . 15.00
A2607 56-57	RETAINER PLATE - door hinge to body nut, RH . 15.00
A6946 56-62	RETAINER- door lock striker anchor plate/because of it's location this is a difficult part to install14.00
A6996 56-62	RIVET SET - door hinge tension springs, (8pc)3.45
A2687 56-62	SCREW SET - door hinge cover (8 pc)10.80
A2699 56-62	SCREW SET - door latch mounting, rear of door (8 pc)7.65
A2631 56-62	SCREW SET - door lock pivot plate (6 pc)3.45
A6951 56-62	SCREW SET - door post weatherstrip retainer, (6 pc)2.75
A2627 56-62	SCREW SET - door striker (6 pc)9.95
A6900 60-62	SCREW SET - drip rail hinge pillar, wide Phillips head, correct, (8 pc)10.50
A2171 53-60	SCREW SET - for stainless steel serial number plate on LH hinge pillar (2 pc)3.15
A2694 56-62	SCREW SET - hinge pillar drip rails (61/2 replacement 8pc)4.05
A5853 61-62	SCREW SET - sill plates (10 pc)5.70
A5851 56-60	SCREW SET - sill plates (18 pc)6.65
A6913 56-62	SHIM SET - door striker, (pr)21.50
A5848 56-60	SILL PLATE SET - long (pr)195.00
A5854 61-62	SILL PLATE SET - w/filler strips (pr)256.15
A5675 56-62	SNAP SET - convertible top tab, on body (2 pc)3.25
A6997 56-62	SPRING SET - 4 tension type springs, w/8 rivets, door hinge,(does one door)18.75
A5850 56-60	STEP PLATE SET - sill, stainless steel waffled, small square w/screw set, (pr)79.50
A6931 53-55	STRIKER PLATES - door, (pr)424.95
A2623 56-60	STRIKER/CATCH SET - on rear body pillar, LH & RH34.00
A2624 61-62	STRIKER/CATCH SET - on rear body pillar, LH & RH34.00
A2703 56-62	WASHER SET - door hinge bolts, (4 pc)4.75

Internal Components



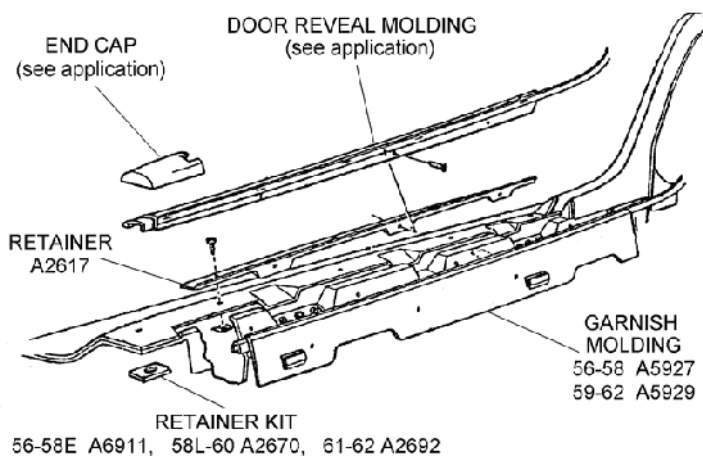
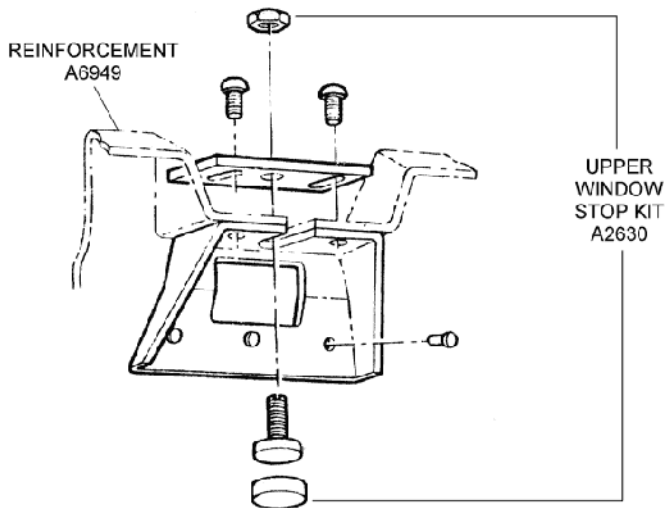
A0637 56-62	ATTACHING KIT - Door glass channel-rivets & screws (does both doors)6.75
A6928 56-62	BRACKET & RIVET KIT - lower internal door glass stop, LH24.25
A6929 56-62	BRACKET & RIVET KIT - lower internal door glass stop, RH24.25
A2628 56-62	BUMPER CAP SET - rubber, upper inner window stop, (4 pc)8.00
A6940 56-62	BUMPER SET - lower door glass stop on bracket, (pr)10.25
A6959 56-62	CLIP SET - door lock rods, (pr)2.95
A6952 56-62	CLIP SET - door pull/lock retainer (rectangular), (pr)3.10
A0888 56-62	FRAME TRACK- door glass, left side lower (reconditioned)59.95
A0889 56-62	FRAME TRACK- door glass, right side lower (reconditioned)59.95
A0890 56-62	FRAME WINDOW - door glass stainless steel LH(used)94.95



A1750 56-62	GEAR - on power window regulator-metal w/teeth29.95
A6914 56-62	GEAR - window regulator, all w/o power windows45.00
G5107	GREASE - white lithium, all purpose, anti-moisture, 16 oz. aerosol can5.95
A6937 56-62	GUIDE - window at front of door (reconditioned), LH95.00
A6942 56-62	GUIDE - window at front of door (reconditioned), RH95.00
A6957 56-57	GUIDE ASSEMBLY - window, front, (reconditioned), LH130.00
A6953 58-62	GUIDE ASSEMBLY - window, front, (reconditioned), LH130.00
A6956 56-57	GUIDE ASSEMBLY - window, front, (reconditioned), RH130.00
A6954 58-62	GUIDE ASSEMBLY - window, front, (reconditioned), RH130.00
A2612 56-62	LINER SET - rear door glass run (pr)10.95
A6188 56-62	RIVET & SCREW KIT - door glass channel attaching kit- car set6.95
A6106 56-62	ROD - door lock cylinder, down12.35
A6902 56-62	ROLLER & RIVET KIT - window regulator repair (6 pc)24.10
A6919 56-62	RUN - rear window guide, LH45.00
A6943 56-62	RUN - rear window guide, RH45.00
A6975 56-62	SCREW SET - door lock control, (6pc)3.65
A6901 56-62	SCREW SET - door open mechanism, (6 pc)3.85
A6920 56-62	SCREW SET - door window frame & upper track (24 pc)4.95
A2698 56-62	SCREW SET - rear window track or regulator (6 pc)4.10
A6961 56-62	SCREW SET - window regulator mounting (6pc) . 3.60
A2644 56-62	SEAL SET - door panel regulator-window crank, foam (behind door panel)(2pc)6.35
A2614 56-62	SEAL SET - door window drain, fits on lower door glass window frame inside door (pr)27.00
A2634 60-62	SHIELD SET - door open mechanism protector (pr)6.00
A6982 56-62	SLEEVE KIT - door rods, cloth, 4pc9.20
A6925 56-62	SPRING KIT - door handle lever rods4.40
A2647 56-62	SPRING SET - door inside opening mechanism . 4.75

CHICAGO CORVETTE

We're your 1-Stop-Shop for 1953-82 Corvette parts and accessories!



- A2630 56-62 STOP SET - upper windows, includes bumpers, bumper screws & retainer plates for 2 doors . 30.45
- A2613 56-62 TAPE SET - side window glass to channel filler (pr)10.95
- A5922 56-62 WASHER/SHIELD SET - interior door lock knob, plastic (pr)3.15
- A6981 56-62 WINDOW REGULATOR / RESTORED - specify side & year, outright249.95
- A6915 56-58 WINDOW REGULATOR RESTORATION - manual windows, LH, exchange, we must have you regulator in advance149.95

NOTE: Now you can economically repair your window regulator using A6914 gear!

- A6916 56-58 WINDOW REGULATOR RESTORATION - manual windows, RH, exchange, we must have you regulator in advance149.95
- A6917 59-62 WINDOW REGULATOR RESTORATION - manual windows, LH, exchange, we must have you regulator in advance149.95
- A6918 59-62 WINDOW REGULATOR RESTORATION - manual windows, RH, exchange, we must have you regulator in advance149.95

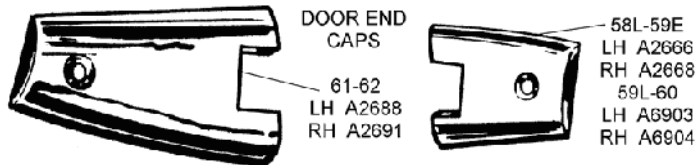
NOTE: Regulators are routinely in stock. In some instances, we may first need your regulator so it can be remanufactured and returned to you. Restoration includes: replacement of gear, window crank gear & rollers as required.

- A5927 56-58 MOUNT KIT - door end cap, w/2 clips, 2 weatherstrip retainers & 2 screws26.80
- A2670 58L-60 MOUNT KIT - door end cap, w/weatherstrip retainer11.00
- A2692 61-62 MOUNT KIT - door end cap7.60
- A2681 59-62 MOUNT KIT - door upper outer reveal molding . 7.00
- A2610 56-62 MOUNT KIT - window run, front5.00
- A5988 56-62 REPAIR KIT - door panel mounting (repairs oversize panel holes in door) (metal reinforcements & pop rivets)28.60
- A2676 59-62 RETAINER - door end cap (ea)2.00
- A6909 56-58E RETAINER - door end cap mount, LH10.45
- A6910 56-58E RETAINER - door end cap mount, RH10.45
- A2617 56-60 RETAINER SET - w/screws & clips, upper outer door reveal molding, LH & RH46.20

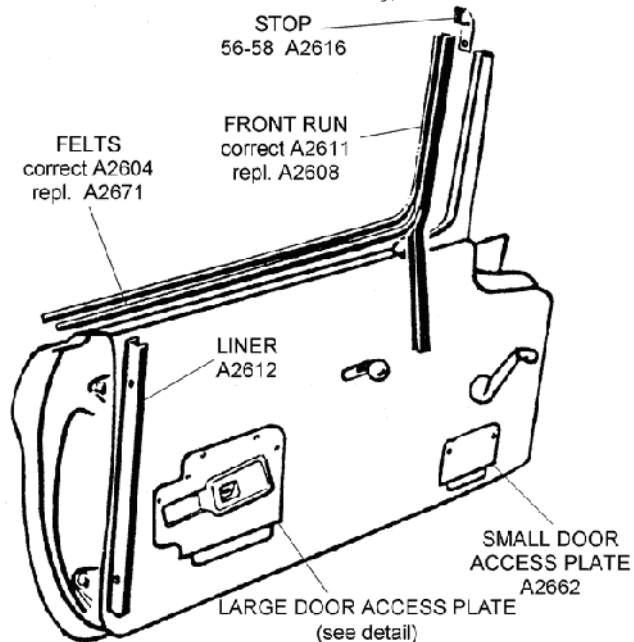
NOTE: Deluxe sets include 2 door upper and inner stainless steel moldings with correct large bead felts installed, correct window run, rear liners and mounting kit.

Moldings, Upper Trim & Seals - Exterior

- A6600 56-58 DOOR POST - chrome, used, LH375.00
- A6601 56-58 DOOR POST - chrome, used, RH375.00
- A6602 59-62 DOOR POST - chrome, used, LH375.00
- A6603 59-62 DOOR POST - chrome, used, RH375.00



- A2666 56-58E END CAP - upper door, w/o hole, LH47.95
- A2668 56-58E END CAP - upper door, w/o hole, RH47.95
- A267358L-59E END CAP - upper door, w/hole, LH42.00
- A267258L-59E END CAP - upper door, w/hole, RH42.00
- A6903 59L-60 END CAP - upper door, w/hole & ridge, LH42.00
- A6904 59L-60 END CAP - upper door, w/hole & ridge, RH42.00
- A2688 61-62 END CAP SET- upper door, w/screw & nut kit, LH/RH-stainless steel89.95
- A2604 56-62 FELT/WINDOW SEAL KIT - large bead, inner & outer, correct (4 pc)90.50
- A6905 56-58 MOLDING - door reveal, upper outer, LH-stainless steel59.00
- A6906 56-58 MOLDING - door reveal, upper outer, RH-stainless steel59.00
- A6907 59-62 MOLDING - door reveal, upper outer, LH-stainless steel59.00
- A6908 59-62 MOLDING - door reveal, upper outer, RH-stainless steel59.00

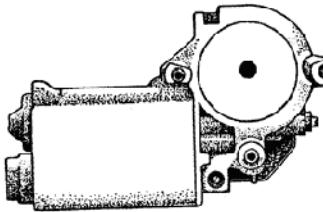


- A2611 56-62 RUN SET - front window posts, 'correct' (in post) w/white stitching, (pr)79.00
- A2603 56-62 RUN/FELT MOUNT KIT - w/white stitched front window run & large Bead seals, includes: A2604, A2606, A2610, A2611, A2612 (does both doors) 164.95
- A2635 56-62 SCREW SET - door handle mounting (4 pc)3.40
- A2631 56-62 SCREW SET - door lock pivot plate (6 pc)3.45
- A2683 56-62 SCREW SET - door upper inner garnish molding (10 pc)4.10
- A6944 56-62 SCREW SET - rear window tracks, (6 pc)4.10
- A2606 56-62 STAPLE SET - inner & outer door horizontal felt installation, (25 pc)4.95
- A2616 56-58 STOP SET W/RIVETS - window, upper, door post, (4pc)33.85



Power Window System & Components

- A2682 56-62 BEZEL - double power window switch, (original)CALL
- A2680 56-62 BEZEL - single power window switch, (original)75.00
- A2678 56-62 CONDUIT SET - power window harness at hinge pillars, (pr)54.95
- A2615 56-62 GEAR - power window motor head, nylon, (used original)29.95
- A1750 56-62 GEAR - on power window regulator-metal w/teeth29.95
- A9941 56-57 HARNESS - power window system144.50
- A9948 58 HARNESS - power window system144.00
- A9942 59-62 HARNESS - power window system144.00
- B2656 56-62 MOTOR - power window regulator, LH, (rectangular body)94.95
- B2657 56-62 MOTOR - power window regulator, RH, (rectangular body)94.95



POWER WINDOW MOTOR
LH A2675
RH A2677

- A2675 56-62 MOTOR - power window regulator, LH, reman., (w/exchange-\$30 core charge)79.95
- A2677 56-62 MOTOR - power window regulator, RH, reman., (w/exchange-\$30 core charge)79.95
- A2705 56-62 MOTOR - power window regulator, LH, restored original (round body), each.99.95
- A2709 56-62 MOTOR - power window regulator, RH, restored original (round body), each.99.95

Not all Power Window Motors were created equal. Originally, all 1956-62 Power Window Motors featured a round body. 1963 and later motors feature a rectangular body to save space and are interchangeable with the round body motors.

- A1751 56-62 PLATE - power window gear attaching59.95

NOTE: With this plate you can convert any standard regulator to a power window regulator gear. A1750 is also required.

- A2600 56-62 POWER WINDOW SYSTEM - complete489.00
- A2643 56-58 REGULATOR - power windows, LH, reconditioned, exchange174.95
- A6967 56-58 REGULATOR - power windows, RH, reconditioned, exchange174.95
- A6912 59-62 REGULATOR - power windows, LH, reconditioned, exchange174.95
- A2653 59-62 REGULATOR - power windows, RH, reconditioned, exchange174.95

NOTE: Power or manual window regulators are appropriate for exchange. Includes new gear and motor plate (if manual windows).

- A2633 56-62 RETAINER - single power window switch bezel to door panel, original29.95
- A6964 56-62 SCREW SET - power windows motor, (6 pc)3.95
- A6966 56-62 SWITCH - power window, double/LH, restored/original149.95
- A6965 56-62 SWITCH - power window, single/RH, restored/original74.95

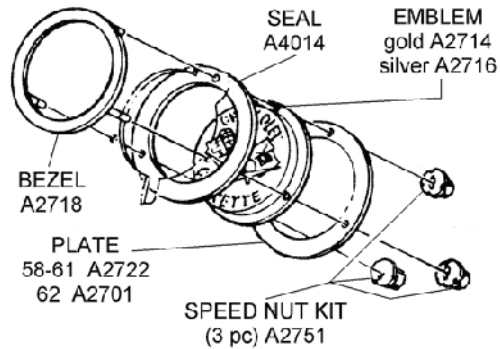
EMBLEMS

1958-62 EMBLEM KITS (front or rear)			
A2739	1958-60 FRONT / 1958-61 REAR		
A2741	1962 REAR ONLY		
A2714	58-62 EMBLEM - gold lettered	1	1
A2418	BEZEL - chrome	1	1
A4014	SEAL / GASKET	1	1
A2722	60-61 BACKING PLATE - aluminum		1
A2701	62 BACKING PLATE - black	1	
A2751	58-62 WINGED SPEED NUTS (3 pc.)	1	1

VISIT US ON THE WEB AT
www.ChicagoCorvette.net



- A2722 58-61 BACKING PLATE - front/rear emblem (aluminum) (ea)26.95
- A2701 62 BACKING PLATE - emblem, black/steel (rear) . .29.00
- A2710 56-57 BEZEL - front or rear emblem32.50
- A2718 58-62 BEZEL - front (1958-60), rear (1958-62) emblem41.80
- A2702 53-55 EMBLEM - front, (w/bezel)111.95
- A2704 53-55 EMBLEM SET - side, 'Chevrolet' script (pr) .119.95
- A2706 55 EMBLEM - gold V's (pr)189.00



- A2708 56-57 EMBLEM - front or rear50.25
- A2712 57 EMBLEM - 'Fuel Injection' (3 req., ea)39.95
- A2726 57-60 EMBLEM SET - crossed flags, front fender side, show quality (pr)67.75
- A2714 58-62 EMBLEM - front or rear, gold letters (original)67.50
- A2739 58-61 EMBLEM KIT - 58-60 front / 58-61 rear / emblem, chrome bezel, gasket, silver backing plate & speed nuts128.70
- A2728 58-61 EMBLEM SET - 'Fuel Injection', side fenders (pr)87.50
- A2732 61 EMBLEM - front53.80
- A2539 61 EMBLEM KIT - 2 'Corvette' (A2736) side emblems, w/4 sidebars (A2734)83.95
- A2734 61 EMBLEM SET - side bars (4 pc)70.50
- A2736 61 EMBLEM SET - 'CORVETTE', side plate (2 pc) .34.95
- A2730 61-62 EMBLEM - 'CORVETTE' front letter set66.60
- A2738 62 EMBLEM - front80.95
- A2741 62 EMBLEM KIT - rear / emblem, chrome bezel, gasket, black backing plate & speed nuts .114.75
- A2740 62 EMBLEM SET - crossed flags, side fender, front, thin, (pr)57.95
- A2742 62 EMBLEM SET - 'Fuel Injection', front side fender (pr)67.50
- A2700 56-57 GASKET - emblem bezel to body3.00
- A2752 53-55 HORN BUTTON - emblem assembly65.20
- A2751 56-62 NUT KIT - emblem bezel speed nut, correct (3 pc)5.00

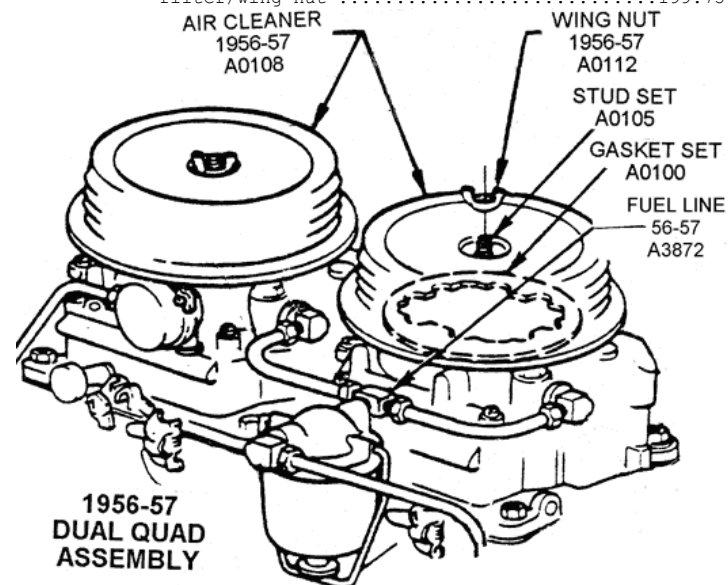
A4014	58-62	SEAL/GASKET - front or rear emblem	3.00
A2744	58	SPEED NUT KIT - all exterior trim & emblems (60 pc)	12.10
A2746	59-60	SPEED NUT KIT - all exterior trim & emblems (64 pc)	12.85
A2750	62	SPEED NUT KIT - all exterior trim & emblems (65 pc)	12.50
A2748	61	SPEED NUT KIT - all exterior trim & emblems (97 pc)	12.95
A2715	58-62	TOOL - winged speed nut installation, 1/8' & 3/16' size, used w/A2751 & other fasteners	10.95

**ENGINE ASSEMBLY & COMPONENTS:
AIR CLEANERS, ALTERNATORS,
BLOCKS, CARBURETORS,
DISTRIBUTORS, FUEL PUMPS, HEADS,
IGNITION SHIELDING, STARTERS,
VALVE COVERS, WATER PUMPS &
MORE**

Air Cleaners

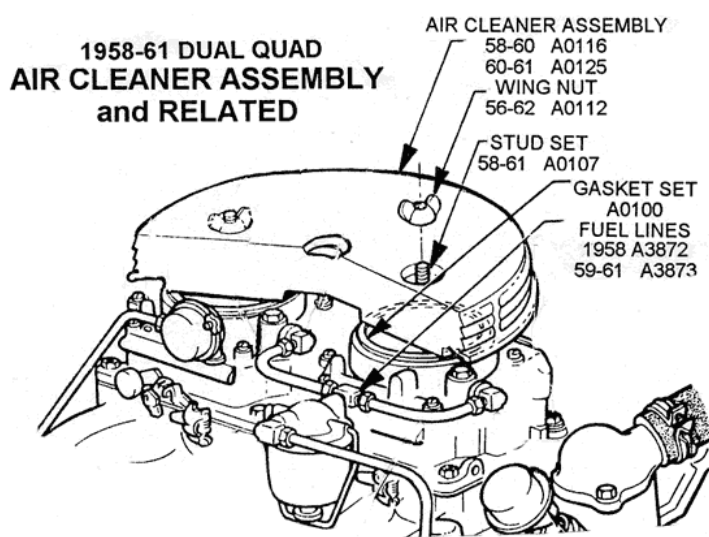
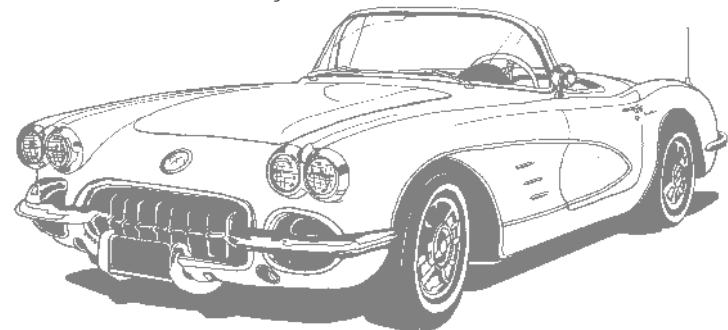
Engines w/Carburetors

A0840	55	AIR CLEANER - 1 x 4	CALL
A0841	56-57	AIR CLEANER - 1 x 4	CALL
A0114	57L-60	AIR CLEANER - 1x4 sealed type w/wing nut (sealed air cleaners were used thru serial # 900 approximately)	189.00
A0118	60-62	AIR CLEANER - 1x4 open type w/foam filter, zigzag design & wing nut - as original	199.00
A0119	60-62	AIR CLEANER - 1x4 open type w/paper filter/wing nut	199.75

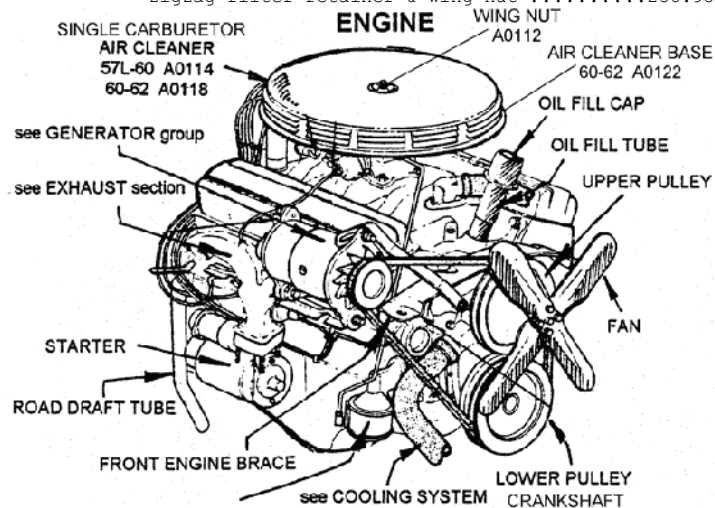


1956-57 DUAL QUAD ASSEMBLY

A0108	56-57	AIR CLEANER - 2x4, w/wing nut (2 req) (ea)	109.00
NOTE: Some 1957s with single 4 barrel may have been equipped with a single dual quad air cleaner (#A0108) from the factory.			
A0116	58-60	AIR CLEANER - 2x4 sealed type w/wing nut	219.95
A0124	60-61	AIR CLEANER - 2x4 open type w/paper filter/wing nut	199.00



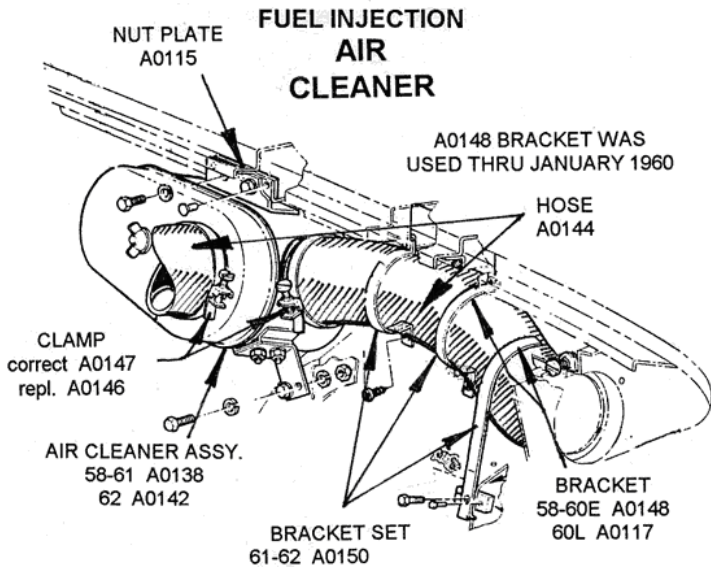
A0125	60-61	AIR CLEANER - 2x4, open type w/foam filter, zigzag filter retainer & wing nut	238.95
-------	-------	---	--------



A0122	60-62	BASE - 1x4 air cleaner	64.95
A0123	60-62	BASE - 2x4 air cleaner	69.95
A0644	53-54	ELEMENT - bullet air cleaner	74.95
A0132	60-62	ELEMENT/FILTER - air cleaner / foam, correct extruded shape	17.95
A0136	60-62	ELEMENT/FILTER - air cleaner, paper replacement	11.35
A0130	60-62	FILTER & SCREEN - air cleaner, foam	50.25
A0149	55-57	GASKET - air cleaner to carburetor, 1x4 WCFB	4.50
A0126	58-62	GASKET - air cleaner to carburetor, 1x4 WCFB	4.35
A3847	62	GASKET - air cleaner to carburetor, AFB	2.60
A0100	56-61	GASKET SET - dual quad carburetors to air cleaners (pr)	8.95
A0134	60-62	SCREEN - 1x4 & 2x4 air cleaner filter, replacement	27.50
A0133	60-62	SCREEN - 2x4 air cleaner filter w/correct zigzag pattern wire mesh	52.05
A0104	55-57	STUD & WING NUT KIT - air cleaner, all 1x4	5.15
A0105	56-61	STUD & WING NUT KIT - air cleaners, all 2x4, (pr)	14.40
A0128	58-62	STUD - air cleaner, WCFB/AFB, (except dual quads)	7.85
A0129	60-62	TOP/LID - 1x4 air cleaner (aluminum)	145.00
A0572	60-61	TOP/LID - 2x4 air cleaner (aluminum)	155.00
A0112	56-62	WING NUT - air cleaner (ea)	2.95

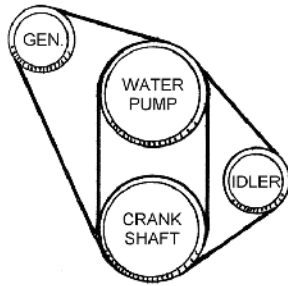
Quality - Service - Price
We have it all. Give us a call.

Fuel Injection



A0113	58-62	ADAPTER - air meter, for air cleaner hose	86.75
A0138	58-61	AIR CLEANER - F.I., (metal)	1,295.95
A0142	62	AIR CLEANER - F.I., (metal)	825.00
A0148	58-60	BRACKET - F.I. air cleaner hose	13.25
A0117	60E	BRACKET - F.I. air cleaner hose	11.85
A0150	61-62	BRACKET KIT - F.I. air cleaner hose, (used on cars after may 1960) (3 pc)	38.75
A0147	58-62	CLAMP - F.I. air cleaner hose, (correct)	25.65
A0146	58-65	CLAMP - F.I. air cleaner hose, (replacement)	9.85
A0140	58-61	ELEMENT (FILTER) - F.I. air cleaner	96.50
A0111	57	FILTER - F.I. air cleaner, (ea)	14.10
A0143	62	FOAM ELEMENT - F.I. air cleaner	58.35
A0144	58-62	HOSE SET - F.I. air cleaner, (2 pc)	54.25
A0115	58-62	NUT PLATE - air cleaner mounting, LH inner fender	21.75
A0145	62	SCREEN - F.I. air cleaner filter	131.95

Belts - Engine / Original



Licensed GM Restoration Parts. Assuring you authenticity and high quality.



Correct wrapped belts with GM part number stamped on outer edge just like the original.

A4500	53	BELT - blue flame, 6 cylinder, short, 39.3'	28.15
A4509	53	BELT - blue flame, 6 cylinder, long, 40.4'	28.15
A4570	54-55	BELT - blue flame, 6 cylinder, long, 40.4'	28.15
A4506	54-55	BELT - blue flame, 6 cylinder, short, 39.3'	28.15
A4511	55	BELT - V8	31.40
A4513	56-57	BELT - 2x4 & F.I.	31.40
A4512	56-57	BELT - base 283	52.35
A4514	58E	BELT - early 58 carburetor, (before 5/58)	31.45

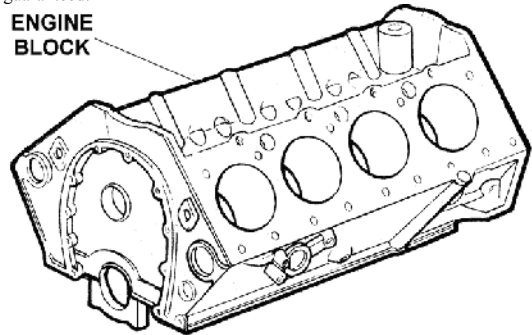
A4515	58E	BELT - early 58 fuel injected, (before 4/58)	31.45
A451658L-59E		BELT - mid 58, early 59 carburetor, (before 5/59)	31.45
A451758L-59E		BELT - mid 58, early 59 F.I., (before 5/59)	32.50
A4518	59L-60	BELT - mid 59, all 1960	31.45
A4590	61	BELT - w/standard camshaft	32.50
A4520	61-62	BELT - w/high lift camshaft, (hi-performance)	34.70
A4591	62	BELT - w/standard camshaft	36.75
G5102		BELT DRESSING - prevents squeaking & stripping/Extends belt life 16 oz. Aerosol can	3.95

Belts - Engine Replacements

A4501	53-55	BELT - fan and generator, w/6 cylinder	12.95
A4502	56-57	BELT - fan and generator, 1x4	14.95
A4503	56-56	BELT - fan and generator, 2x4	14.95
A4504	57-62	BELT - fan and generator, 2x4	14.95
A4508	59-60	BELT - fan and generator, w/F.I.	14.95
G5102		BELT DRESSING - prevents squeaking & stripping/Extends belt life 16 oz. Aerosol can	3.95

Blocks - Engine

All blocks are cleaned and magna-fluxed for cracks. Many will have cylinders bored! All are guaranteed.



A2802	55	BLOCK - engine, '265' casting #3703524	CALL
A2804	56	BLOCK - engine, '265' casting #3720991	CALL
A2806	57	BLOCK - engine, '283' casting #3731548	CALL
A2807	58	BLOCK - engine, '283' casting #3737739	CALL
A2808	59-61	BLOCK - engine, '283' casting #3756519	CALL
A2810	62	BLOCK - engine, '327' casting #3782870	CALL

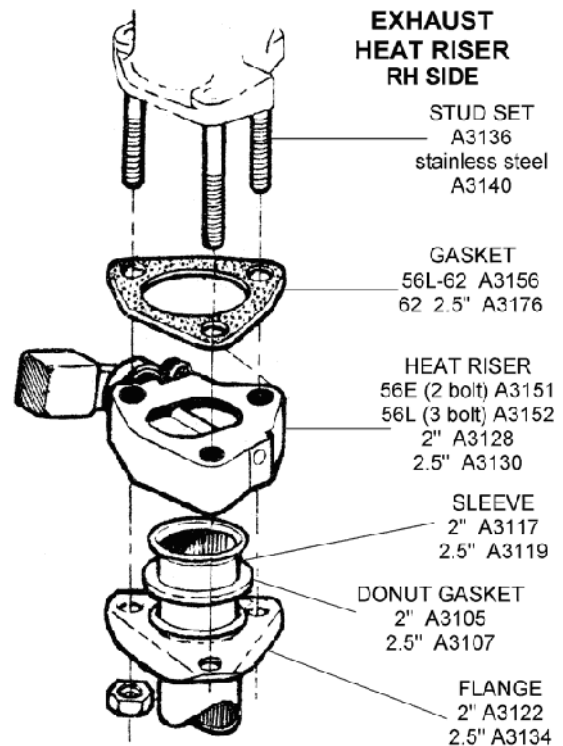
Blocks - Engine Rebuilding Components

A2879	55-61	BOLT SET - heads (does 2 heads, reconditioned), (32 pc)	65.00
A2885	62	BOLT SET - heads (does 2 heads, reconditioned), (32 pc)	65.00
A2798	55-56	CAM SHAFT - all single 4 barrel / GM# 3711354 replica	199.95
A2799	56	CAM SHAFT - all with dual quads / GM# 3734077 replica	199.95
A2896	58-62	CAM SHAFT - hydraulic, 230/245/250hp	79.95
A6545	56-62	CANISTER - oil breather/crank case vent, in lifter galley, (recond.)	39.00
G1100	53-62	COSMOLINE - metal surface protector, (12 oz)	6.95
A2882	53-55	CRANK SHAFT - 6 cylinder, w/'P' forged on #5 arm, used/original	225.00
A2873	57-61	CRANK SHAFT KIT - steel, 283 remanufactured w/new rod & main bearings (exchange)	249.95
A2888	62	CRANK SHAFT KIT - 327, remanufactured, w/new rod & journal bearings (exchange)	249.95
G5101		FORM-A-GASKET - Permatex no. 2 sealant, non-hardening sealant for use w/cut gaskets, 1.5 oz. tube	4.10
G5100		FORM-A-GASKET - Permatex no.1 sealant, hard setting sealant for rigid materials and flanges, 1.5 oz. tube	4.10
A2897	57-62	FREEZE PLUG SET - 8 pc	7.50
A3751	57-62	GASKET - fuel pump plate to block	2.95
A3785	57-62	GASKET - fuel pump to fuel pump plate	2.95
A2823	55-56	GASKET KIT - engine, complete	73.95
A2835	57-62	GASKET KIT - engine, complete	61.95
A2894	53-54	GASKET KIT - engine, complete 6 cylinder	54.95
A3103	56-62	GASKET SET - exhaust manifolds to engine (not originally used by Chevrolet) they prevent exhaust leaks between exhaust manifold and heads	11.95
A2920	57-62	GASKET SET - HEADS	44.95
G5107		GREASE - white lithium, all purpose, anti-moisture, 16 oz. aerosol can	5.95
A2815	55-62	LIFTER SET - hydraulic, 230/250hp, 16pc	129.95
A2821	55-62	LIFTER SET - solid for hi-perf. engines (ea)	1.1

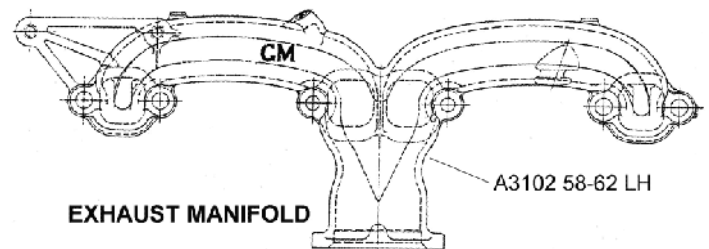
G5108	LUBRICANT - anti-seize, Permatex, use during assembly to prevent corrosion seizing, 1 oz. tube3.60
B9434 53-62	PAINT - aluminum cast, 12 oz. Aerosol6.50
G5025 53-62	PAINT - black, gloss, 12 oz. aerosol6.50
G5003 53-62	PAINT - black, semi gloss, 12 oz. aerosol6.50
G0114 53-62	PAINT - gray cast iron blast, 12 oz. aerosol6.50
G5002 53-62	PAINT - gray cast iron, hi-temp., 12 oz. aerosol6.50
G0045 53-62	PAINT - orange, Chevy, hi-temp., 12 oz. aerosol6.95
A2951 58-62	PICK UP & SCREEN - oil (in oil pan)21.95
A3893 55-62	PLATE - fuel pump mount10.90
A2801 57-62	PUMP - oil, hi-pressure45.45
A2898 57-62	PUMP - oil, standard35.85
A2817 57-62	PUSH ROD - (16 req) (ea)4.35
A3631 55-62	PUSH ROD - fuel pump, in block14.10
A2819 57-62	ROCKER ARM - w/ball & nut (16 req) (ea)5.05
A2841 57-61	ROD - 283 engine, used original (8 req) (ea) . 12.00
A2843 62	ROD - 327 engine, 250/300hp, used original (8 req) (ea)16.00
A2845 62	ROD - 327 engine, 340/360hp, used original (8 req) (ea)26.00
A2820 59-62	ROD/SHAFT - oil pump drive14.00
A2871 55-58	SEAL - engine rear main, neoprene, stop those rear main leaks forever with our new seal that replaces raditional OEM rope seal30.95
A2900 55-58	SEAL - rear engine, main, rope type7.95
G5106	SEALANT - blue RTV, Permatex, makes reliable formed-in-place gaskets, 3 oz. tube . 4.60
G5105	SEALANT - thread, Permatex, seals and resists pressure in fittings, general purpose, 1 oz. tube4.60
G5104	SILICONE - hi-temp RTV, Permatex, sensor safe RTV gasket, 3 oz. tube5.40
A2826 55-62	SPRING SET - valves in head, 265/283/327 (16 pc)60.90
A2809 55-62	STUD & NUT KIT - oil pump retaining9.66
G5109	TEFLON TAPE - Loctite PST, liquid, lubes, locks & seals pipe threads, temp. to 400 degrees, 50 ml. Tube (**not to be used on carburetor fittings**)10.50
G5111	THREADLOCKER - Loctite 242, blue, medium strength for bolts & nuts up to 3/4', 6 mi. tube . 5.65
G5110	THREADLOCKER - Loctite 271, red, high strength for bolts & nuts up to 1', 6 mi. tube 6.40
G5110	THREADLOCKER - Loctite 271, red, high strength for bolts & nuts up to 1', 6 mi. tube 6.40
A2811 57-62	TIMING CHAIN & GEAR SET - engine29.00
A2805 57-62	TIMING CHAIN & GEAR SET - engine, double roller24.00

Exhaust Manifolds & Related Parts

A3121 55	BOLT & WASHER SET - V8 exhaust manifolds 'M' HM, (24 pc)24.00
A3137 62	BOLT & STUD KIT - exhaust manifolds to heads, w/'double circle' head mark (12 pc) . 22.45
A3120 56-61	BOLT SET - exhaust manifolds, 'double circle' head mark, (12 pc)19.25
A3127 55-56	BOLT SET - exhaust manifolds, w/washer, 'M' head mark25.95
A3114 57-62	CHOKE TUBE - inside exhaust manifold, w/o F.I. (stainless steel)10.00
A3105 56-62	DONUT/SEAL - exhaust manifold to pipe, 2'3.00
A3107 62	DONUT/SEAL - exhaust manifold to pipe, 2.5' . 3.45
G0056	HOT STUFF - exhaust manifold dress15.99
G0155 53-62	DRESSING - 'Calyx' manifold conditioner (stick)10.30
G0003 53-62	DRESSING - 'Calyx' manifold conditioner, (jar)23.25
A3122 56-62	FLANGE - exhaust pipe, 2'4.50
A3123 56-57	FLANGE - exhaust, 3 bolt (flat type)11.45
A3134 62	FLANGE - exhaust pipe (flat type), 2.5',8.75
A3160 53-57	FLANGE SET - exhaust pipes to exhaust manifold, 6 cylinder, cast iron, (pr)129.00
A3125 56-62	FRENCH LOCK SET - exhaust manifold, standard steel, (4 pc)17.60
A3142 56-62	FRENCH LOCK SET - exhaust manifold, stainless steel, (4 pc)13.80
A3156 56L-62	GASKET - heat riser, 2'4.85
A3176 62	GASKET - heat riser, 2.5'3.95
A3103 56-62	GASKET SET - exhaust manifolds to engine (not originally used by Chevrolet) they prevent exhaust leaks between exhaust manifold and heads . 11.95



A312955L-56E	HEAT RISER - exhaust manifold / 2 bolt exhaust manifoldCALL
A3152 56L	HEAT RISER - for 3 hole exhaust manifolds . 102.00
A3128 57-62	HEAT RISER - exhaust, 2'42.95
A3130 62	HEAT RISER - exhaust, 2.5'48.75
A3118 53-54	MANIFOLD - exhaust, dual, used originalCALL
A0574 55	MANIFOLD - exhaust, RH, used original125.00
A0576 56E	MANIFOLD - exhaust, 2 bolt, LH/RHCALL
A3143 56L	MANIFOLD - exhaust, 3 bolt, #3731557, LH . 250.95
A3144 56L	MANIFOLD - exhaust, 3 bolt, #3731558, RH . 308.15
A3148 56L	MANIFOLD SET - exhaust, #3731558/3731557, (pr)545.00
A3145 57	MANIFOLD - exhaust, LH, #3731975238.45
A3153 57	MANIFOLD - exhaust, LH, #3733975, reconditioned originalCALL
A3147 57	MANIFOLD - exhaust, RH, #3731976, w/F.I. . 229.00
A3133 57	MANIFOLD - exhaust, RH, #3731976, w/F.I, originalCALL
A3146 57	MANIFOLD - exhaust, RH, #3731976, w/o F.I. . 229.00
A3154 57	MANIFOLD - exhaust, RH, #3733976, reconditioned original175.00



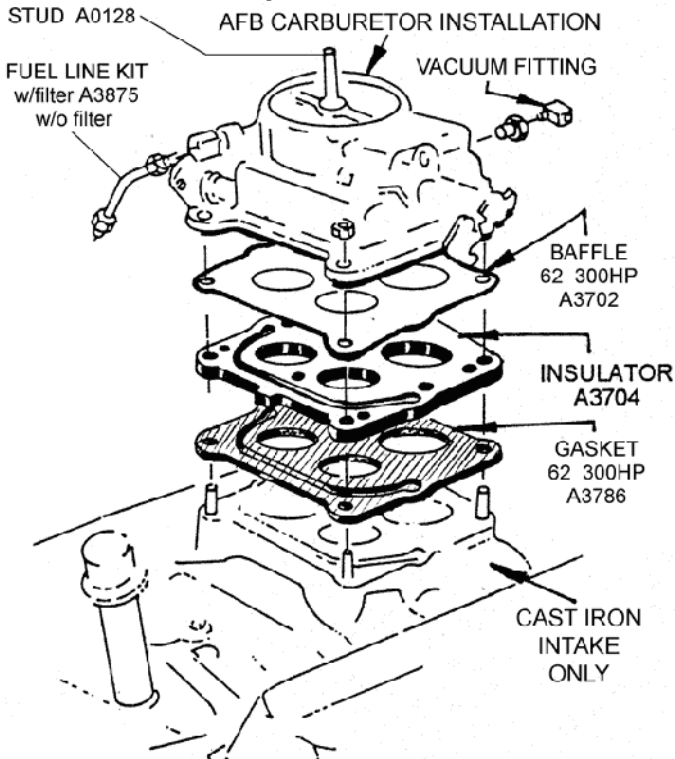
A3102 58-62	MANIFOLD - exhaust, LH, #3749965, 2'179.30
A3101 58-62	MANIFOLD - exhaust, LH, #3749965, 2', reconditioned original,CALL
A3104 58-62	MANIFOLD - exhaust, RH, #3750556, 2', w/choke222.25
A3106 58-61	MANIFOLD - exhaust, RH, #3750556, 2', w/F.I.209.00
A3138 58-61	MANIFOLD - exhaust RH w/FI #3750556, 2', originalCALL
A3108 62	MANIFOLD - exhaust, LH, #3797901, 2.5', . 235.35
A3111 62	MANIFOLD - exhaust, LH, 2.5', #3797901, used, restored231.85
A3110 62	MANIFOLD - exhaust, RH, 2.5', #3797902 . 258.00
A3113 62	MANIFOLD - exhaust, RH, 2.5', #3797902, used, restoredCALL
A3112 62	MANIFOLD - exhaust, RH, 2.5', #3797902, w/FI, w/o choke tube hole240.95
A3139 62	MANIFOLD - exhaust, RH 2.5' #3797902 w/FI, w/o choke tube hole originalCALL
A3109 62	MANIFOLD - exhaust, RH, 2.5', w/o #3797902 . 240.95
A3149 56-62	NUT SET - exhaust manifold studs, brass (6 pc)5.95
A3141 56-62	NUT SET - exhaust manifold studs-correct 'Top Lock' type4.80

A3135	56	SHIELD SET - heat, 3 hole exhaust manifold, (pr)	90.00
A3117	56-62	SLEEVE - exhaust donut, alignment, 2'	7.50
A3119	62	SLEEVE - exhaust donut, alignment, 2.5'	7.75
A3126	58-62	SPACER - replaces 2' heat riser valve	28.00
A3132	62	SPACER - replaces 2.5' heat riser valve, (all w/F.I.)	37.00
A3136	56-62	STUD & NUT KIT - exhaust manifold to exhaust pipe, (12 pc)	12.50
A3140	56-62	STUD & NUT KIT - exhaust manifold to exhaust pipes, stainless steel, (12 pc)	24.50
A3764	62	STUD - lower clean air tube to exhaust manifold	8.00
A3161	53-55	WASHER SET - exhaust & intake manifold retaining, 4 large, 2 small, all w/6 cylinder, (6 pc)	150.00
A3116	57-62	WASHER SET - exhaust manifold bolts, (8 pc) ..	6.95

Fuel System - Carburetors, Parts & Tags, Fuel Filters & Pumps, Lines & Accelerator Linkage

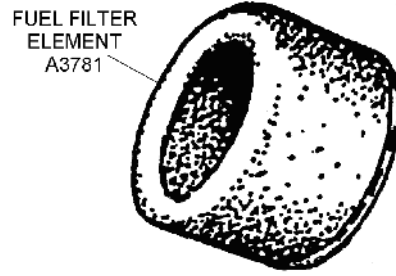
Carburetor Intake Gaskets, Mounting Hardware, Spacers & Baffles

A3782	55-61	GASKET - Carburetor to intake, 1x4 WCFB	6.50
A3703	56-61	GASKET - carburetor to intake, 2x4 WCFB	4.50
A3788	62	GASKET - carburetor to aluminum intake, 340hp, CARTER AFB	8.95
A3786	62	GASKET - carburetor to cast iron intake, 327/300hp, AFB	7.25
A3784	62	GASKET - carburetor to intake, 1x4 WCFB 327/250HP	4.95
A3039	53-54	INSULATOR/SPACER - between carburetor & intake (3 req., ea)	41.60

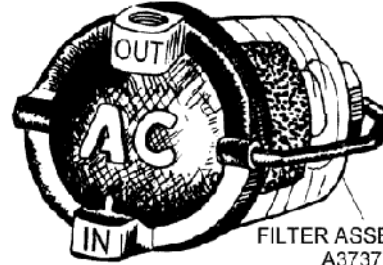


A3704	62	INSULATOR/PLATE - carburetor, between gasket & stainless steel baffle plate, w/300hp, CARTER AFB	29.15
A3702	62	PLATE - baffle, AFB, 300hp, stainless steel ..	8.95
B1558	55-62	STUD & NUT KIT - carburetor to intake mounting, exc. '62 300 & 340hp, (vacuum advance hollow stud not included)	9.60
A3845	56-61	STUD & NUT KIT - carburetor to intake, all w/2x4, (16 pc)	16.45
A3859	62	STUD & NUT KIT - carburetor to intake, w/300hp (vacuum advance hollow stud not incl) ..	6.00
A3706	58-62	STUD (hollow) KIT - vacuum advance mounting & carburetor mounting w/230/250hp, w/nut (1 req.)	11.75
A3787	62	STUD (hollow) KIT - vacuum advance, carburetor mounting w/300hp, left rear to corner location w/nut (1 req.)	10.75

Carburetor Fuel Filters

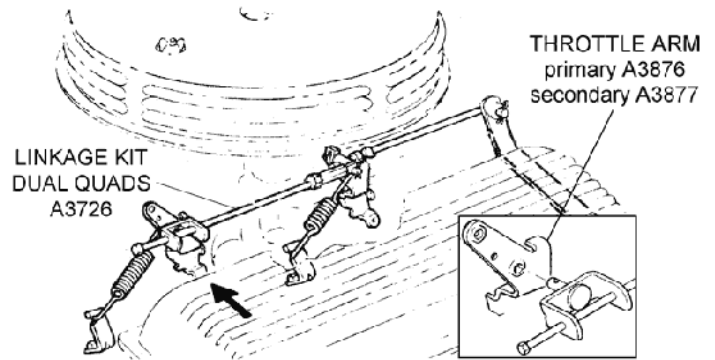


A3781	55-62	FILTER - fuel, original molded GF124, brown colored, NOS	39.95
A3731	55-62	FILTER - fuel, GF124, replacement paper style	9.95
A3768	62	FILTER - fuel, F.I., GF 90/silver finish w/red script	42.95
A3843	59-62	FILTER - WCFB 1x4 carburetor, installs behind fuel inlet nut on carburetor lid/bronze metal	4.75

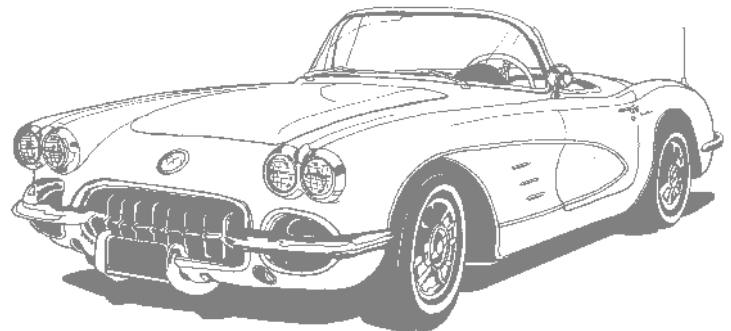


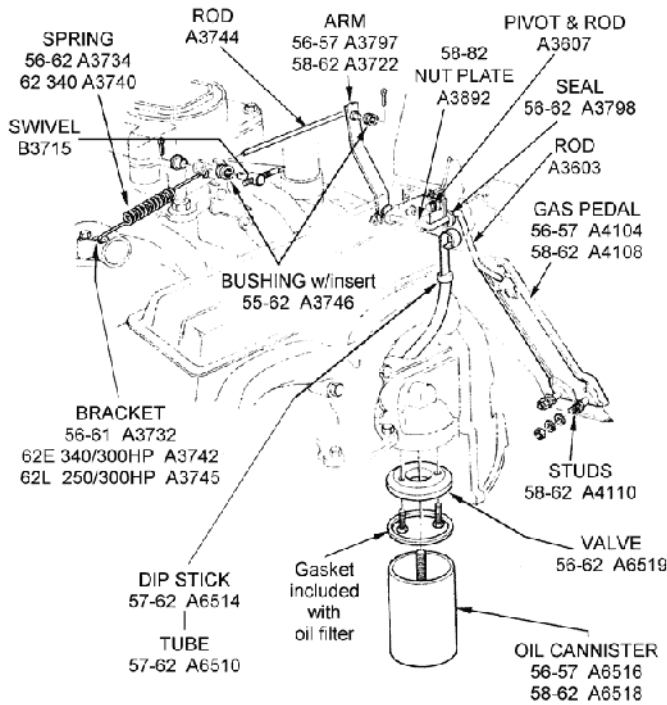
A3737	53-58	FILTER ASSEMBLY - fuel, domed, w/large 'AC' w/internal filter	72.50
A3765	53-58	FILTER ASSEMBLY - fuel, original large 'AC' on top, glass bowl w/ac logo & new NOS brown filter/ restored	149.95
A3790	59-61	FILTER ASSEMBLY - fuel, original 'AC' TM on flat surface not on fuel passageway, used with A3731 fuel filter, recondition, without internal filter	64.95
A3766	53-62	FILTER ASSEMBLY - fuel, 1x4 and 2x4 w/filter element, AC logo GF-48, but not as original	39.95
A3780	55-61	STRAINER - fuel, WCFB 1x4, under 3/4 aluminum nut on carburetor lid	1.95

Carburetor Linkage - Firewall to Carburetor



A3797	56-57	ARM - throttle, at firewall	34.00
A3722	58-62	ARM - throttle, at firewall	21.95
A3641	56-62	BOLT & NUT - accelerator lever, 'TR' head mark	4.55
A3738	56-62E	BRACKET - throttle return spring, 1x4 accelerator	17.30





Carburetor Tags - Generic

Generic Carburetor Brass Identification Tag with raised Carter carburetor part numbers, dividers and borders. No GM part numbers, date or inspection punches. Aluminum tags were used starting in 1959. Initial usage varied based on model. All 1960 and up were aluminum.

A1530	55L	TAG - carburetor, 2351 S, (generic)	15.95
A1536	56	TAG - carburetor, 2362 S, rear 2x4, (generic)	15.95
A1532	56-57E	TAG - carburetor, 2366 S, (generic)	15.95
A1534	56	TAG - carburetor, 2419 S, front 2x4, (generic)	15.95
A1538	57	TAG - carburetor, 2655 S, 220hp, (generic) ..	15.95
A1552	59-61	TAG - carburetor, 3059S, 230hp, (generic) ..	15.95
A1554	62	TAG - carburetor, 3191S, 250hp, (generic) ..	15.95
A1556	62	TAG - carburetor, 3269S, 300, 340hp, (generic)	15.95
A1560	53-62	TAG - carburetor, originals, 100s available ..	CALL

Carburetor Tags 1953-59 as original / Brass



Brass carburetor tags, with rolled edges, date coded and inspection stamp punched.

Original tags available in many cases. We have a large selection of used tags. Give us a call!

A1560	53-62	TAG - carburetor, originals, 100s available ..	CALL
A1535	53E	TAG - carburetor, 2066S, Carter YH/ 1 barrel. Available May 1953 Only	28.00
A1537	53L-55	TAG - carburetor, 2066SA, Carter YH/ 1 barrel. Specify: month & year (for 1953's available September 1953 - December 1954)	28.00
A1539	55E	TAG - carburetor, 2218S, Carter 4 barrel WCFB Specify: month & year	28.00
A1541	55L	TAG - carburetor, 2351S, Carter 4 barrel WCFB Specify: month & year	28.00
A1561	56-57E	TAG - carburetor, 2362S, Carter 4 barrel 2x4 rear, 225/245HP Specify: month & year ..	28.00
A1543	56-57E	TAG - carburetor, 2366SA, Carter 4 barrel WCFB Specify: month & year	28.00
A1559	56-57E	TAG - carburetor, 2419S, Carter 4 barrel 2x4, Front 225/245HP Specify: month & year ..	28.00
A1545	57	TAG - carburetor, 2655S, Carter 4 barrel WCFB. Specify: month & year	28.00
A1557	58	TAG - carburetor, 2669S, Carter 4 barrel 1x4, 230hp WCFB. Specify: month & year	28.00
A1562	57-59E	TAG - carburetor, 2626S, Carter 4 barrel 2x4 front, 245HP - 270HP (2626S & 2627S carburetors were used on 270HP cars thru Dec. 1957) Specify: month & year	28.00
A1563	57-59E	TAG - carburetor, 2627S, Carter 4 barrel 2x4 rear, 245HP - 270HP (2626S & 2627S carburetors were used on 270HP cars thru Dec. 1957) Specify: month & year	28.00
A1564	58L-59E	TAG - carburetor, 2613S, Carter 4 barrel 2x4 front, 270 HP (Starting January thru April 1958) Specify: month & year	28.00
A1565	58L-59E	TAG - carburetor, 2614S, Carter 4 barrel 2 x 4 rear (Starting January thru April 1958) Specify: month & year	28.00
A4019	ANY	TAG ID - ANY PART NUMBER OR DATE FOR USE ON ALL 1959 AND OLDER CARTER CARBURETORS - 1, 2 OR 4 BARREL-FOR GM, FORD, CHRYSLER OR PACKARD APPLICATIONS	29.95

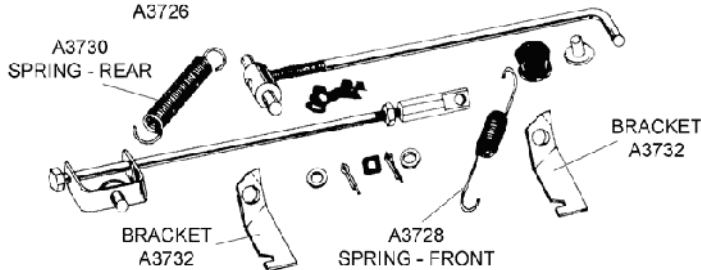
Carburetor Tags 1959-62 as original / Aluminum

Aluminum tags (using original blanks / various colors as original) with Carter and GM numbers, date coded and inspection stamp punched.

A1560	53-62	TAG - carburetor, originals, 100s available ..	CALL
A3770	ANY	TAG - ALUMINUM - WITH ANY PART NUMBER OR DATE - 1,2 OR 4 BARREL CARTER CARBURETOR/GM, FORD, MOPAR, PACKARD OR AMC	39.95
A1568	58-59	TAG - carburetor 2613S, Carter 4 barrel, front, 270HP (May 59 - Aug 59) Large characters. Specify: month & year	39.95
A1569	58-59	TAG - carburetor 2614S Carter 4 barrel, rear, 270HP (May 59 - Aug 59) Large characters. Specify: month & year	39.95
A1570	59-60	TAG - carburetor 2818S Carter 4 barrel,	

A3742	62	BRACKET - throttle return spring, 1x4 accelerator, all 340hp, early 300hp thru 3/7/62 ..	12.65
A3732	56-61	BRACKET - throttle return spring, 2x4 front or rear	7.00
A3745	62	BRACKET - throttle return spring, all 250hp, late 300hp	10.00
A3746	56-62	BUSHING & INSERT KIT - accelerator rod	3.80
A3947	56-61	CARBURETOR KIT - WCFB 2x4, Dual quad (2 req ea)	32.95
A3611	56-61	CLIP - throttle rod, 1/4' RH, (56-61 2x4 linkage), (ea)	1.50
A3747	56-62	INSTALLATION KIT - accelerator rod (2 grommets, 2 sleeves w/swivel & cotter keys) ..	13.80
A0577	53-55	LINKAGE KIT - between carburetor, 6 cylinder-2nd design, after serial # 1136- 2 cross links,	109.95

**1956-61 DUAL FOUR LINKAGE KIT
A3726**

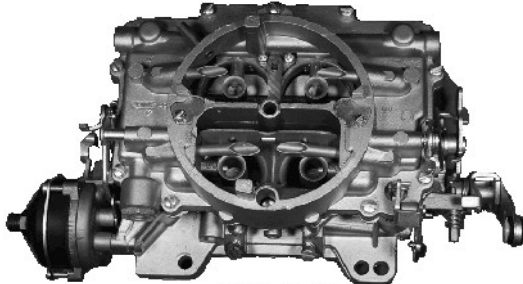


A3726	56-61	LINKAGE KIT - 2x4, w/all rods, brackets, springs and hardware	61.65
A3892	58-62	NUT PLATE - accelerator pivot on firewall ..	8.95
A3607	58-62	PIVOT & ROD - accelerator system at firewall (includes A3605 & A3603)	47.85
A3605	58-62	PIVOT - accelerator rod at firewall	16.30
A3638	56-57	ROD & BRACKET - accelerator pedal to arm/ pre-owned	165.00
A3603	58-62	ROD - accelerator pedal to pivot	31.60
A3744	55-62	ROD - accelerator, all single 4 barrels	15.35
A3666	56-62	SCREW - ground strap to accelerator lever ..	1.00
A3798	56-62	SEAL - accelerator rod linkage, at firewall located under firewall insulation (2-1/2' OD 3/4' thick)	8.95
A3733	53-55	SPRING - accelerator return, 6 cylinder	18.95
A3729	55-60	SPRING - accelerator return, 1x4, black	10.85
A3728	56-61	SPRING - accelerator return, 2x4, front	10.95
A3730	56-61	SPRING - accelerator return, 2x4, rear	10.95
A3734	61-62	SPRING - accelerator return, 1x4, except 1962 340hp, lime green	9.25
A3740	62	SPRING - accelerator return, 1x4, 340hp, white	10.25
B3715	56-62	SWIVEL - accelerator rod, on linkage	6.20

A1566 59L-60	WCFB 230HP. Specify month & year39.95
	TAG - carburetor 2626S, Carter 4 barrel, front, 245HP. Specify: month & year39.95
A1567 59L-61	TAG - carburetor 2627S, Carter 4 barrel, rear, 245HP. Specify: month & year39.95
A1665 60	TAG - carburetor # 2613S Carter 4 barrel, front 270HP, (after August 1959) (Small characters, Carter & GM numbers) Specify month & year39.95
A1571 60-61	TAG - carburetor 3059S Carter 4 barrel, WCFB 230HP. Specify month & year39.95
A1664 60-61	TAG - carburetor, #2614S, Carter 4 Barrel, rear, 270 HP, (after August 1959) (Small characters, Carter & GM numbers) Specify month & year39.95
A1977 61	TAG - carburetor 3181 Carter 4 barrel WCFB, 245HP front. Specify year & month39.95
A1978 61	TAG - carburetor 3182 Carter 4 barrel WCFB, 270HP front. Specify year & month39.95
A1660 62E	TAG - carburetor # 3190S Carter 4 barrel WCFB, 250HP, w/auto trans. Specify month & year39.95
A1572 62	TAG - carburetor 3191S Carter 4 barrel, WCFB 250HP. Specify year & month39.95
A1573 62	TAG - carburetor 3269S Carter 4 barrel, AFB, 300/340 HP w/MT. Specify month & year [3269S TAGS WERE NOT DATED UNTIL MARCH 1962] 39.95
A1574 62	TAG - carburetor 3310S Carter 4 barrel, AFB, 300HP w/AT. Specify year & month, [3310S TAGS WERE NOT DATED UNTIL MARCH 1962]39.95

Carburetors: AFB & WCFB / Restored or Remanufactured - 1 x 4

CARTER AFB CARBURETORS
A1518 - 1962 MANUAL TRANS
A1520 - 1962 AUTO TRANS



300/340 HP

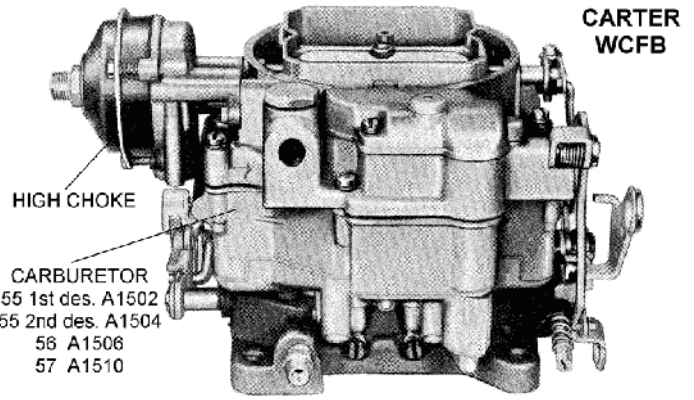
The following carburetors have the "Ultimate Restoration":

A1518 62	CARBURETOR - AFB # 3269S 300/340hp, manual trans - RESTORED895.00
A1520 62	CARBURETOR - AFB # 3310S 300hp, automatic trans - RESTORED795.00

We have the largest selection of dated Carter AFB's #3269 and #3310 in the country.

Call us with your serial number and we'll find you a perfect match.

N3362 62	CARBURETOR - AFB 3269s/3310s clone w/correct throttle shaft arm/looks just like the real thing but not numbers matching - RESTORED595.00
B1601 62	CARBURETOR - AFB, #3269 (not numbers matching/call for details) remanufactured replacement, all 300/340 hp w/manual transmission425.00
B1600 62	CARBURETOR - AFB, #3310 (not numbers matching/call for details) remanufactured replacement, all 300hp w/auto. trans.425.00
A1586 55-56	CARBURETOR - WCFB / rebuilt, w/1956 style arm495.00
A1587 57-58	CARBURETOR - WCFB - rebuilt595.00
A1588 59-61	CARBURETOR - WCFB - rebuilt595.00
A1589 62	CARBURETOR - WCFB - rebuilt525.00

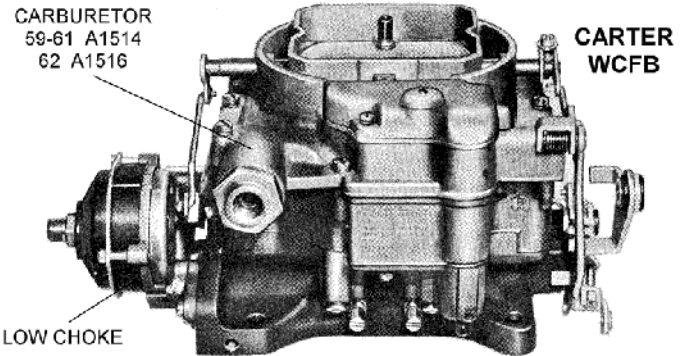


CARTER WCFB

HIGH CHOKE

CARBURETOR
 55 1st des. A1502
 55 2nd des. A1504
 58 A1506
 57 A1510

A1502 55	CARBURETOR - WCFB, 1st design, (w/bell crank included) - RESTORED749.95
A1504 55	CARBURETOR - WCFB, 2nd design - RESTORED ...695.00
A1506 56	CARBURETOR - WCFB - RESTORED595.00
A1510 57	CARBURETOR - WCFB - RESTORED795.00
A1512 58	CARBURETOR - WCFB - RESTORED695.00



CARTER WCFB

LOW CHOKE

A1514 59-61	CARBURETOR - WCFB - RESTORED695.00
A1516 62	CARBURETOR - WCFB - RESTORED624.95
A3511 53-62	REGULATOR - fuel pressure47.35

Carburetors: AFB & WCFB Rebuilding Kits / Standard



A3735 53-54	CARBURETOR KIT - Carter 1 barrel 'YH' (3 req) (ea)47.95
A3947 55-57	CARBURETOR KIT - WCFB 1x4, (ea)32.95
A3947 56-61	CARBURETOR KIT - WCFB 2x4, Dual quad (2 req ea)32.95
A3948 58-62	CARBURETOR KIT - Carter 4 barrel WCFB32.95
A3720 62	CARBURETOR KIT - AFB #3269/#331031.95

NOTE: Carburetor Kits include needle & seat, gaskets, pump, and pin spring.

A1599 53-62	PAINT - Carburetor renew-Bronze/for main bodies choke bases (5oz)15.95
A1590 53-62	PAINT - Carburetor renew-Silver/for steel parts/ aluminum (5oz)15.95

Carburetors: AFB & WCFB Rebuilding Super Kits & More

CARBURETOR SUPER KITS - Include superior quality standard kit parts inventory plus primary jets, idle mixture screws, pump return and vacuum piston spring, check ball and top hat.

A3701 53-54	CARBURETOR SUPER KIT - 6 cylinder - tri-power YH's, services all 3 carburetors . 207.95
A3700 55	CARBURETOR SUPER KIT - Carter WCFB #2218/2351, 1x469.95
A3711 56	CARBURETOR SUPER KIT - Carter WCFB #2366, 1x469.95
A3717 56	CARBURETOR SUPER KIT - Carter WCFB #2362/2419, services both carburetors - includes metering rods and jets189.95
A3719 57	CARBURETOR SUPER KIT - Carter WCFB #2655, 1x486.95
A3721 57-61	CARBURETOR SUPER KIT - Carter WCFB #2626/2627 or #2627/3181, 2x4, 245hp, services both carburetors - includes metering rods and jets189.95

CHICAGO CORVETTE SUPPLY

We're your 1-Stop-Shop for 1953-82 Corvette parts and accessories!

A3725	58	CARBURETOR SUPER KIT - Carter WCFB #2669, 1x4	69.95
A3723	58L-61	CARBURETOR SUPER KIT - Carter WCFB #2613/2614 or #2614/3182, 2x4, 270hp, services both carburetors - includes metering rods and jets	189.95
A3727	59-62	CARBURETOR SUPER KIT - Carter WCFB #2818, 3059, 3190, 3191, 1x4	69.95
A3707	62	CARBURETOR SUPER KIT - AFBs #3269 / 3310	69.95
A4052	55-62	RECOLORING - Carter WCFB 4 barrel carburetor - main body & choke base (you send in your parts degreased - we final clean & recolor w/chromic acid to like new condition)	85.00
A4050	53-55	RECOLORING - Carter YH carburetor, main body & cover -(you send in your parts degreased - we final clean & recolor w/chromic acid to like new condition)	85.00
A3849	55-62	SCREW KIT - Phillister head type, replaces all Phillister screws on WCFB carb. (1 set required per carb)	10.50
A3857	62	SCREW KIT - replaces all on AFB carburetors, Phillister head	10.95
A3955	55-62	CARBURETOR STAND KIT - elevates carb 2' (4pc)	5.95

Carburetors: AFB & WCFB Restoration w/Rebuilding or Traditional Rebuilding

THE CARBURETOR RESTORATION PROCESS

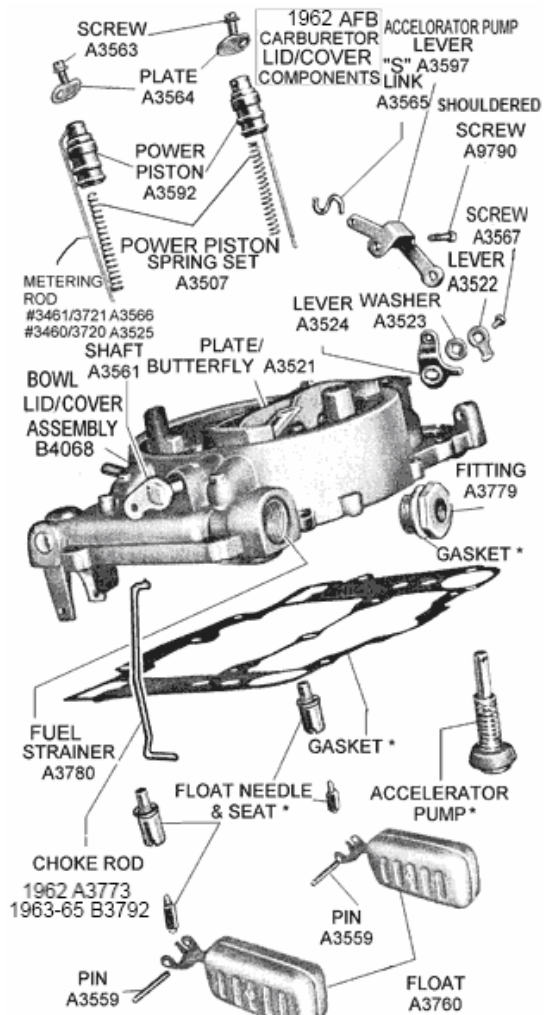
To ensure you get the best possible carburetor restoration, the process includes:

1. Disassembly
2. Cleaning of all parts & review for surface warpage and damage. All machine work is performed. Damaged parts are replaced (at additional cost).
3. All pot metal parts / main bodies / bowls & choke bases dipped in caustic soda for cleaning then re-colored in a chromic acid solution - produces yellow / golden-green color and seals metal, prohibiting oxidation (chalking).
4. All aluminum parts treated to bring back original color.
5. All steel plates are re-plated with a silver, yellow, or copper finish as appropriate.
6. Choke cover is restored (if applicable).
7. Carburetor base plate restored / bushed as appropriate.
8. Carburetor is assembled using the best rebuilding components available.
9. Carburetor is run tested on an engine to ensure drivability and reduce defects (in most cases).
10. Carburetor is guaranteed for 1 year. Looks as good as, or better than new!

3 - 4 weeks lead time.

See our website at www.ChicagoCorvette.net for more details.

A9898	53-55	CARBURETOR REBUILDING - 1 barrel Carter YH .	195.00
A9899	55-62	CARBURETOR REBUILDING - 4 barrel, Carter WCFB (singles or dual quads) & AFB	199.95
A1501	53-55	CARBURETOR RESTORATION - 1 barrel, YH Carter	245.00
A1500	55-62	CARBURETOR RESTORATION - 4 barrel, Carter WCFB (singles or dual quads) & AFB (ea)	359.95



* Part of Rebuild Kit

NOTE: A majority of these AFB parts are reconditioned originals.

A3609	62	ACCELERATOR PUMP - AFB	17.95
A3578	62	AUXILIARY AIR VALVE	39.95
A3574	62	BAFFLE/SHIELD - splash, fuel/in bowl (2 req, ea)	3.75
A3743	62	BASE, PISTON ASSEMBLY & LINKAGE ARM - choke, mounts to carburetor main body, AFB ..	79.95
A3572	62	CAM - fast idle	27.95
A3955	62	CARBURETOR STAND KIT - elevates carb 2' / 4pc	5.95
A3598	62	CHECK BALL & SPRING ASSEMBLY - AFB main body outside of accelerator pump well	15.95
A3736	62	CHOKE COVER - Carter AFB w/brass insert	42.95
A4025	62	CHOKE COVER - electric / all w/AFB	22.95
A3519	62	CLIP - accelerator pump rod, lower	1.00
A3585	62	CLUSTER - primary venturi, LH	39.95
A3586	62	CLUSTER - primary venturi, RH	39.95
A3587	62	CLUSTER - secondary venturi, LH	24.95
A3588	62	CLUSTER - secondary venturi, RH	24.95
A3568	62	COMPENSATOR - idle air, reconditioned original	24.95
A3779	62	FITTING - fuel inlet, AFB, screws directly into air horn, casting 3/4" hex brass, 1/8" N.P.T. inlet	10.50
A3760	62	FLOAT - Carter AFB, carburetor, brass (2 req., ea)	9.95
B0109	62	GASKET - air cleaner to carburetor, AFB	3.35
A3788	62	GASKET - carburetor to aluminum intake, 340hp, CARTER AFB	8.95
A3786	62	GASKET - carburetor to cast iron intake, 327/300hp, AFB	7.25
A3968	62	GASKET - choke cover to choke base, WCFB	2.50
B3555	62	GASKET - fuel inlet	1.00

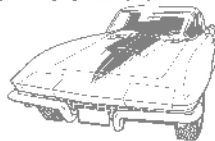
ORDER BY PHONE:

1-800-872-2446



ORDER BY FAX:

708-458-2662



TECHNICAL QUESTIONS:

708-458-2500



CUSTOMER SERVICE:

708-458-6577

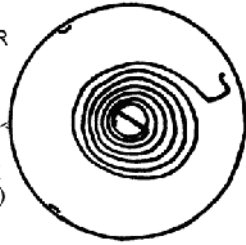
QUESTIONS ABOUT YOUR ORDER:

708-458-2500



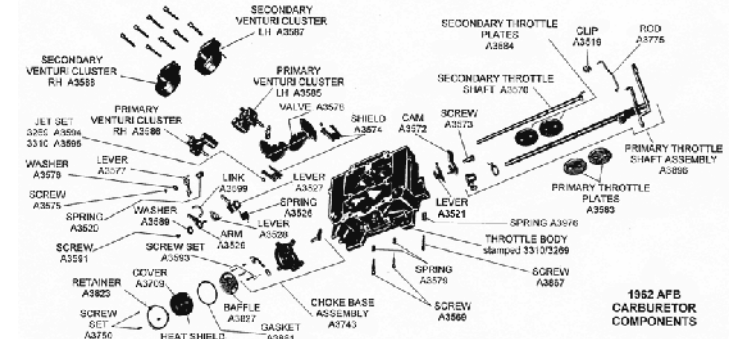


1955-56
CHOKE COVER
A3891



HEAT BAFFLE
(choke actuator)
A3890

- A3890 62 HEAT BAFFLE/SHIELD - inserts in AFB choke cover with retainer spring24.50
- A3747 56-62 INSTALLATION KIT - accelerator rod (2 grommets, 2 sleeves w/swivel & cotter keys) .13.80
- A3594 62 JET KIT - AFB #3269, (4 pc)19.95
- A3595 62 JET KIT - AFB #3310, (4 pc)19.95
- A3597 62 LEVER - accelerator pump, AFB carburetor9.95
- A3524 62 LEVER - choke shaft, inner LH side13.50
- A3522 62 LEVER - choke shaft, outer, LH side9.95
- A3571 62 LEVER - lockout, secondary throttle, LH side22.75
- A3528 62 LEVER - primary throttle shaft spring pick-up, RH8.00
- A3527 62 LEVER - primary throttle shaft, secondary throttle trip15.85
- A3577 62 LEVER - secondary6.85
- A3560 62 LID - bowl assembly, 3269/3310 Carter AFB, w/small peg air cleaner guides, bare, reconditioned199.95
- A3565 62 LINK - accelerator pump lever, 'S' shape4.95
- A3599 62 LINK - primary to secondary throttle shaft ...3.95
- A3566 62 METERING ROD SET - Carter AFB #3269 (pr) ...39.95
- A3525 62 METERING ROD SET - Carter AFB #3310 (pr) ...34.00
- A3509 62 NEEDLE & SEAT ASSEMBLY - 2 required, each ...6.95
- A3517 62 NEEDLE & SEAT SET - advanced roto design / holds up under 10psi from fuel pump [no need to worry about your fuel pump again], 2 pc ...13.95
- A3559 62 PIN - float, Carter AFB (2 req., ea)1.75
- A3702 62 PLATE - baffle, AFB, 300hp, stainless steel .8.95
- A3704 62 INSULATOR/PLATE - carburetor, between gasket & stainless steel baffle plate, w/300hp, CARTER AFB29.15
- A3827 62 PLATE - secondary baffle, in choke housing, slotted steel11.40
- A3583 62 PLATE - throttle, primary (2 req., ea)9.95
- A3584 62 PLATE - throttle, secondary (2 req., ea)9.95
- A3521 62 PLATE/BUTTERFLY - on choke shaft15.00
- A3564 62 PLATE/COVER - power piston, reconditioned ...5.00
- A3592 62 POWER PISTON - metering rod6.50
- A3823 62 RETAINER - Carter WCFB/AFB choke cover9.00
- A3775 62 ROD - accelerator pump lever, AFB12.00
- A3773 62 ROD - choke butterfly shaft base to choke lever, AFB8.00
- A3749 62 ROD - choke butterfly shaft to lockout cam, LH14.00
- A9790 62 SCREW - accelerator pump lever4.95
- A3900 62 SCREW SET - choke butterfly to choke cross shaft / 2pc1.80
- A3567 62 SCREW - choke shaft end, LH, lever retainer .2.00
- A3573 62 SCREW - fast idle cam & lockout lever6.95
- A3867 62 SCREW - fast idle, AFB carburetor3.95
- A3569 62 SCREW - idle mixture, Carter AFB (2 req), (ea)6.00
- A3591 62 SCREW - primary throttle shaft, RH outer1.75
- A3575 62 SCREW - secondary throttle shaft, RH1.75
- A3857 62 SCREW KIT - replaces all on AFB carburetors, Phillister head10.95
- A3593 62 SCREW SET - choke base to carb, (3 pc)2.75
- A3750 62 SCREW SET - choke cover retainer, phillister head, (3 pc)1.25
- A3562 62 SCREW SET - choke flap, (2 pc)1.50
- A3563 62 SCREW SET - power piston cover plates1.25
- A3901 62 SCREW SET - throttle shaft butterflies (8pc)2.75
- A3561 62 SHAFT - choke, AFB/reconditioned original ...29.95
- A3570 62 SHAFT - secondary/rear throttle bores/used original29.95



- A3896 62 SHAFT - throttle, w/arm, AFB #3269/3310 carburetor79.95
- A3976 62 SPRING - fast idle screw, AFB carburetor2.25
- A3526 62 SPRING - primary throttle shaft, RH7.50
- A3520 62 SPRING - secondary throttle shaft, RH side ...4.50
- A3579 62 SPRING SET - idle air screw (pr2.50
- A3507 62 SPRING SET - power piston/metering rod (pr ...8.00
- A3780 62 STRAINER - fuel, AFB, behind fuel inlet nut ..1.95
- A3625 62 THERMOSTATIC SPRING - choke, inserts in choke cover10.50
- A3523 62 WASHER - levers, choke shaft, LH4.95
- A3589 62 WASHER - primary throttle shaft, RH, outer ...4.75
- A3576 62 WASHER - secondary throttle shaft, RH4.50

Carburetors: WCFB Dual Quad System Kits - 2 x 4 / RESTORED ORIGINALS

- All systems come with a restored pair of correct carburetors, w/number matching intake, new air cleaner(s), gaskets, vent tubes, fasteners, fuel lines, filter and linkage.
- A1580 56E DUAL QUAD KIT - 220hp, Carter WCFB 2362S & 2419S4,695.00
 - A158156L-57E DUAL QUAD KIT - 220/245hp, Carter WCFB 2nd design 2362S & 2419S (also 57E 270HP)4,495.00
 - A3983 57 DUAL QUAD KIT - 245hp & 270HP, Carter WCFB #2626S & #2627S (270HP thru Dec 1957)4,095.00
 - A3986 58 DUAL QUAD KIT - 245hp, Carter WCFB #2626S & #2727S, also used on 270HP thru DEC 1957 (when AC#4445 fuel pump is used)4,095.00
 - A3985 58L DUAL QUAD KIT - 270hp, Carter WCFB #2613S & #2614S, used starting January 1958 (w/ AC#4445) (fuel pump)4,095.00
 - A1582 59 DUAL QUAD KIT - 245hp, Carter WCFB 2626S & 2627S4,095.00
 - A1584 59 DUAL QUAD KIT - 270hp, Carter WCFB 2613S & 2614S4,095.00
 - A3981 60-61 DUAL QUAD KIT - 245hp, Carter WCFB #2626S & #2627S4,095.00
 - A3982 60-61 DUAL QUAD KIT - 270hp, Carter WCFB #2613S & #2614S4,095.00
 - A1583 61 DUAL QUAD KIT - 245hp, Carter WCFB 2626S & 3181S4,095.00
 - A1585 61 DUAL QUAD KIT - 270hp, Carter WCFB 2613S & 3182S4,095.00

Carburetors: WCFB Dual Quad Systems - 2 x 4, CLONES/LOOK-A-LIKES

- This is our latest innovation for the cost-conscious restorer or the guy who wants "the look" for the street. These pairs of 2x4 Carter WCFB's can't be told from the originals, from 2 feet away. They feature correct throttle arms, brass crossover vent tubes, correct chokes, etc. They are beautiful and functional.
- A3349 56-61 DUAL QUAD PRIMARY/CLONE CARBURETOR - specify year & horsepower/restored895.00
 - A0848 56-57E DUAL QUAD CLONE CARBURETOR SET - 225/245HP w/idle air screws on base LH rear rear / RESTORED W/BRASS CROSSOVER VENT TUBES1,695.00
 - A1591 57E-61 DUAL QUAD CLONE CARBURETOR SET - 245HP / RESTORED W/BRASS CROSSOVER VENT TUBES1,595.00
 - A1592 58L-61 DUAL QUAD CLONE CARBURETOR SET - 270HP RESTORED W/BRASS CROSSOVER VENT TUBES ...1,595.00

DO YOU HAVE A TECHNICAL QUESTION?

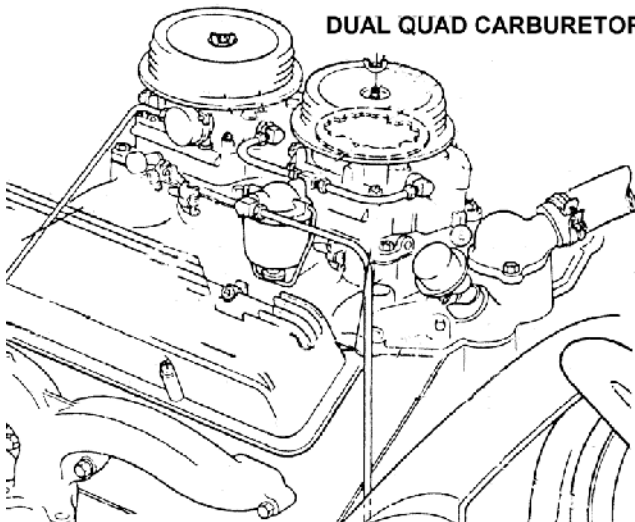
Call our technical department at 708-458-2500 for assistance.



CHICAGO CORVETTE SUPPLY

We're your 1-Stop-Shop for 1953-82 Corvette parts and accessories!

Carburetors: WCFB Dual Quads - 2 x 4 / Individual Carbs



DUAL QUAD CARBURETOR KITS

The following carburetors are restored and available individually, only from Chicago Corvette.

A1529	56E	CARBURETOR - dual quad, 2x4, 225hp primary, Carter #2362S, w/idle air screw in base, restored	1,895.00
A1531	56E	CARBURETOR - dual quad, 2x4, 225hp secondary (w/o choke), Carter #2419S, w/idle air screw in base, restored	1,895.00
A152656L-57E		CARBURETOR - dual quad, 2x4, 245hp primary, Carter #2362S, restored	1,895.00
A152756L-57E		CARBURETOR - dual quad, 2x4 245HP Secondary Carter #2419S, restored	1,895.00
A1515	57L-61	CARBURETOR - dual quad, 2x4, 245hp primary, Carter #2627S, restored (also used on 270HP thru Dec. 1957)	1,895.00
A1517	57L-61	CARBURETOR - dual quad, 2x4, 245hp secondary (w/o choke), Carter #2626S, restored	1,895.00
A1521	58-61	CARBURETOR - dual quad, 2x4, 270hp primary, Carter #2614S, restored (starting Jan. 1958)	1,895.00
A1525	58-61	CARBURETOR - dual quad, 2x4, 270hp secondary (w/o choke), Carter #2613S (starting Jan. 1958)	1,895.00
A1519	61	CARBURETOR - dual quad, 2x4, 245hp secondary, Carter #3181S, restored	1,895.00
A1503	61	CARBURETOR - dual quad, 2x4, 270hp secondary (w/o choke), Carter #3182S, restored	1,895.00

Carburetors: WCFB Parts & Fittings - Single 4 Barrel / 1X4

A3883	55L	ARM - throttle, mounts on primary throttle shaft on #2351 Carter WCFB	59.95
A3890	57-62	BAFFLE/HEAT SHIELD - w/retainer spring, inserts in choke cover, all 1x4 carburetors	24.50
A3333	55-56E	BASE/HOUSING - choke, (orig./recond.)	59.95
A3835	56L-58	BASE/HOUSING - choke (original, reconditioned)	85.00
A3724	59-62	BASE/HOUSING - choke, w/piston & link, WCFB carburetor, (recond.)	69.95
A3791	55E	BELL CRANK KIT - w/rod & stud mount on Carter WCFB #2218	74.00
L0128		BOOK - 'Carter Carburetors: Performance, Street & Off Road Applications'	26.15
A3778	55-62	BRACKET - metering rods / WCFB	8.95
A3973	62	BOWL/MAIN BODY - WCFB casting # 1451 reconditioned	95.00
A3746	56-62	BUSHING & INSERT KIT - accelerator rod	3.80
A3955	55-62	CARBURETOR STAND KIT - elevates carb 2' (4pc)	5.95
A3891	55-56	CHOKE COVER - Carter #AB238S, (all 1x4 as OEM) (correct as original)	24.95
A3709	57-62	CHOKE COVER - Carter WCFB (w/brass insert)	42.95
A4025	55-62	CHOKE COVER - electric / all w/WCFB	22.95
A4037	55-62	CHOKE FLAP - all WCFB	16.95
A0099	56L	CHOKE KIT - choke base w/ cover, choke cross shaft, piston & link, butterfly & installation hardware, as original	97.50
A3960	55-58	CHOKE LINKAGE KIT - LH side of carburetor from base plate to choke shaft, links, cam, dog legs, rod & lock out, (7pc)	59.95
A3667	59-62	CHOKE LINKAGE KIT - LH side of carburetor from base plate to choke shaft, links, cam, dog legs, rod & lockout (7 pc)	69.95

A3625	55-62	CHOKE THERMOSTATIC SPRING - inserts in choke cover	10.50
A4057	55-62	CLAMP/RETAINER - choke shaft, (LH)	16.95
A3668	59-62	CROSS SHAFT - choke flap	24.95
A4088	55-62	COVER - metering rods, WCFB 4 barrel w/pop up vent, used	29.95
A3843	59-62	FILTER - WCFB 1x4 carburetor, installs behind fuel inlet nut on carburetor lid/bronze metal	4.75
A3783	59-62	FITTING - fuel inlet, WCFB	7.25
A3714	58-62	FITTING - vacuum, for washer system or automatic transmission, installs on carburetor at rear	12.50
A3837	55-62	FLOAT - front 55/62, rear 55/56, WCFB carburetor, (original/reconditioned), guaranteed	39.95
A3887	57-62	FLOAT - rear w/saddle, WCFB, carburetor, (orig./recond.), guaranteed	39.95
A0126	58-62	GASKET - air cleaner to carburetor, WCFB	4.35
A3968	55-62	GASKET - choke cover to choke base, WCFB	2.50
A3555	59-62	GASKET - fuel inlet	1.00
A3882	57-62	GASKET - inserts between choke heat shield & choke cover, WCFB/AFB	2.50
A3693	55-58	GASKET - lid/top to wcfb main body	2.65
A0149	55-57	GASKET - WCFB, air cleaner to carburetor	4.50
A3747	56-62	INSTALLATION KIT - accelerator rod (2 grommets, sleeve & swivel)	13.80
A3694	58-62	LOCKOUT CAM - auxiliary air valve, LH side	12.95
A4045	58-62	LEVEL - accelerator pump cross shaft on lid	7.95
A4039	55-62	LEVER - vent bowl opener on accelerator pump cross shaft	24.95
A3627	55	LID - WCFB # 2218S OR 2351S - casting # 1020 reconditioned	174.95
A3509	55-62	NEEDLE & SEAT ASSEMBLY - 2 required, each	6.95
A3517	55-62	NEEDLE & SEAT SET - advanced roto design / holds up under 10psi from fuel pump [no need to worry about your fuel pump again], 2 pc.	13.95
A1533	55-58	NUT - hex, carburetor top, Carter/ WCFB aluminum	15.00
A3427	55-62	PISTON - vacuum/metering rods, WCFB	19.95
A3827	55-62	PLATE - secondary baffle, in choke housing, slotted steel	11.40
A3823	57-62	RETAINER - Carter WCFB choke cover	9.00
A3697	55-62	ROD - accelerator pump/front LH corner	12.00
A3969	59-62	ROD - choke lever (behind choke base) to choke cross shaft, WCFB	7.00
A3692	55-62	ROD - choke LH - choke cross shaft to lockout	9.00
A3941	55-62	SCREW - fast idle, WCFB carburetor	3.65
A3695	58-62	SCREW - fastens lockout cam to auxiliary air valve shaft	1.00
A3849	55-62	SCREW KIT - Phillister head type, replaces all Phillister screws on WCFB carb. (1 set required per carb)	10.50
A3750	58-62	SCREW SET - choke cover retainer, phillister head, (3 pc)	1.25
A3900	55-62	SCREW SET - choke butterfly to choke cross shaft / 2pc	1.80
A3971	59-61	SCREW SET - choke housing to carburetor, WCFB, (3 pc.)	1.95
A0043	55-62	SCREWS - fast idle on LH side of carburetor	5.95
A4041	58-65	SHAFT - accelerator pump actuating / on lid	32.00
A3897	55L	SHAFT - throttle, w/arm, Carter #2351 WCFB	149.95
A3582	55-62	SIGHT PLUG - WCFB main body, 2 required, aluminum, original, each	5.95
A4043	56-62	SPRING - accelerator pump cross shaft on lid	5.00
A3976	55-62	SPRING - fast idle screw, WCFB carburetor	2.25
A4029	55-62	SPRING - metering rods / holds metering rods to T bracket	7.50
A3780	55-58	STRAINER - fuel, WCFB 1x4, under 3/4 nut on carburetor lid	1.95
B3176	59-62	SPRING - fuel filter	1.50
A3450	55-62	SPRING - under accelerator pump	7.95
A3440	55-62	SPRING - under metering rod piston	5.95
A3625	55-62	THERMOSTATIC SPRING - choke, inserts in choke cover	10.50
A2531	55-62	TOOL - carburetor idle air adjusting.flexible	5.95

Carburetors: WCFB Parts & Fittings - WCFB Dual Quad / 2x4

A3878	56-57E	AIR VALVE - secondary throttle bore, 225/245hp, short arm, thin weight, w/throttle plate & screws (pr)	156.95
A3879	57L-61	AIR VALVE - secondary throttle bore, 245hp, short arm, large weight, w/throttle plate & screws (pr)	149.95
A3880	58L-61	AIR VALVE - secondary throttle bore, 270hp, long arm, large weight, w/throttle plate & screws /used starting January 1958, pr	149.95
A3957	56-61	BRACKET - metering rods / WCFB	8.95

A3808 56-61	CARBURETOR KIT - all w/dual quads (2 req) (ea)39.95		secondary/front carburetor, throttle, front dual quad, stamped #819, (short arm)129.95
A3717 56	CARBURETOR SUPER KIT - Carter WCFB #2362/2419, ... services both carburetors - including metering rods and jets189.95	A3899 56-61	SHAFT & ARM W/O THROTTLE PLATES & SCREWS- primary carburetor, throttle, rear dual quad, Stamped #820, (long arm)129.95
A3721 57-61	CARBURETOR SUPER KIT - Carter WCFB #2626/2627 or #2627/3181, 2x4, 245hp, services both carburetors - includes metering rods and jets189.95	A3979 56-61	SHAFT - choke, link, piston & butterfly(insert in choke base) used55.00
A3723 58L-61	CARBURETOR SUPER KIT - Carter WCFB #2613/2614 or #2614/3182, 2x4, 270hp, services both carburetors - includes metering rods and jets189.95	A3728 56-61	SPRING - accelerator return, 2x4, front10.95
A3333 56E	CHOKE BASE/HOUSING - original/reconditioned59.95	A3730 56-61	SPRING - accelerator return, 2x4, rear10.95
A3821 56L-61	CHOKE BASE/HOUSING - w/side provision for heat tube (orig./recond.)85.00	A0045 56-61	SPRING - lockout WCFB4.95
A3891 56-61	CHOKE COVER - Carter #AB238S, (all 2x4 as OEM) (correct as original)24.95	A4029 56-61	SPRING - metering rods / holds metering rods to T bracket7.50
A4025 56-61	CHOKE COVER - electric / all w/WCFB22.95	A3955 56-61	STAND KIT - carburetor, elevates carburetor 2' to facilitate servicing it, throttle shafts easily open, (4 pc.)5.95
A4037 56-61	CHOKE FLAP - all 2X4 WCFB16.95	A3780 55-61	STRAINER - fuel, WCFB 1x4, under 3/4 aluminum nut on carburetor lid1.95
A0099 56L-61	CHOKE KIT - choke base w/ cover, choke cross shaft, piston & link, butterfly & installation hardware, as original97.50	A3845 56-61	STUD & NUT KIT - carburetor to intake, all w/2x4, (16 pc)16.45
A3960 56-61	CHOKE LINKAGE KIT - LH side of carburetor from base plate to choke shaft, links, cam, dog legs, rod & lock out, (7 pc)59.95	A3625 56-61	THERMOSTATIC SPRING - choke, inserts in choke cover10.50
A4057 56-61	CLAMP/RETAINER - left end of choke shaft, w/screw, (orig./recond.)16.95	A3531 56-61	THROTTLE PLATE SET - primary throttle shaft, front or rear 2X4 carburetor, [20-204], 2pc11.95
A4088 56-61	COVER - metering rods, WCFB 4 barrel w/pop up vent, used29.95	A3360 56L	Top/lid dual quad carburetor 6-1156 casting w/provision for choke395.00
A3715 56	FITTING - rear carburetor vacuum take-off ...13.95	A4895 57	TOP - dual quad carburetor 6-1203 casting w/provision for choke395.00
A3714 58-61	FITTING - rear carburetor vacuum take-off hex head w/pipe for windshield washer vacuum / automatic transmission12.50	A3557 57-61	TOP - dual quad carburetor 6-1299 casting, primary w/provision for choke, reconditioned 374.95
A3837 56-61	FLOAT - front, WCFB carburetor, (orig./recond.) guaranteed39.95	A3752 56-61	TUBE - choke, 2x4 engine14.00
A3887 56-61	FLOAT - rear w/saddle, WCFB, carburetor, (orig./recond.), guaranteed39.95	A3708 56-61	VENT TUBE - brass, front, (either carb), 2x4, (ea)14.95
A3703 56-61	GASKET - carburetor to intake, 2x4 WCFB4.50	A3710 56-61	VENT TUBE - brass, rear, (either carb), 2x4, (ea)14.95
A3693 56-61	GASKET - lid/top to wcfb main body2.65	A0055 56-61	VENT TUBE SET - Brass - does 2 carburetors (4pc)56.05
A0100 56-61	GASKET SET - dual quad carburetors to air cleaners (pr)8.95		
A3881 56-61	GASKET- choke cover, WCFB33.00		
A4039 55-62	LEVER - vent bowl opener on accelerator pump cross shaft24.95		
A3987 56	METERING ROD & JET KIT - 2 dual quad carburetors, 225hp (includes: 4 metering rods, 8 jets & 2 springs)103.45		
A3958 57-61	METERING ROD & JET KIT - 2 dual quad carburetors, 245hp, (includes: 4 metering rods, jets & 2 springs)103.45		
A3959 58L-61	METERING ROD & JET KIT - 2 dual quad carburetors, 270hp, (includes 4 metering rods, jets & 2 springs)103.45		
A3509 56-61	NEEDLE & SEAT ASSEMBLY - 2 required, each ...6.95		
A3517 56-61	NEEDLE & SEAT SET - advanced roto design / holds up under 10psi from fuel pump [no need to worry about your fuel pump again], 2 pc ...13.95		
A1533 56-61	NUT - hex, carburetor top, Carter/ WCFB aluminum15.00		
A3427 56-61	PISTON - vacuum/metering rods, WCFB19.95		
A3554 56-61	PLATE SET - w/screws, auxiliary air valves, all w/2x422.95		
A4085 56-61	PLUG SET - aluminum, WCFB base plate, (2 pc)6.50		
A4087 56-61	PLUG SET - aluminum, WCFB lid/cover, (3 pc) .4.95		
A4086 55-61	PLUG SET - aluminum, WCFB main body, large and small sizes, Included9.95		
A0029 56-61	RETAINER/CLIP & SPRING KIT - fastens link & rods (12pc) (round push on & twist retainers) 16.85		
A3697 56-61	ROD - accelerator pump12.00		
A3692 56-61	ROD - choke LH - from choke shaft to lockout9.00		
A4001 56-57E	SCREW & SPRING - idle air in base LH/rear side60.35		
A3505 56-61	SCREW - idle fuel mixture adjusting, long brass, (2 req. per carb.)7.95		
A3849 56-61	SCREW KIT - Phillister head type, replaces all Phillister screws on WCFB carb. (1 set required per carb)10.50		
A3900 56-61	SCREW SET - choke butterfly to choke cross shaft / 2pc1.80		
A3864 56-61	SCREW SET - throttle shaft butterflies, AFB / WCFB, (8 pc)3.50		
A3842 55-61	SCREW/CHOKE - lock out cam, LH side of carburetor, w/shoulder15.00		
A0043 56-61	Screws fast idle on LH side of carburetor ...5.95		
A0028 56-61	SHAFT & ARM SET - main shaft front & rear carbs/stamped #819 & 820 w/o throttle plates199.95		
A3898 56-61	SHAFT & ARM W/O THROTTLE PLATES & SCREWS -		

Carburetors: YH Carter 1 Barrels / Restored

A3980 53-55	CARBURETOR - Carter YH 1 barrel (1 of 3), restored379.95
-------------	--

Carburetors: YH Parts & Fittings - Carter Side Draft

A3357 53-54	CHOKE TOWER w/clamp (ea)94.95
A3014 53-54	COVER - fuel bowl79.95
A3927 53-54	FLOAT - Carter YH, original, cleaned, checked & guaranteed55.00
A3009 53-54	JET - low speed49.95
A3024 53-54	METERING ROD & JET KIT - (3 rods & 3 jets / 6pc)145.00
A3352 53-54	NEEDLE & SEAT / BALL BEARING TYPE - prevents flooding (ea)17.50
A3900 53-54	SCREW SET - choke butterfly to choke cross shaft / 2pc1.80

Choke Tube - Original Tined Steel Tubing

A3752 56-61	TUBE - choke, 2x4 engine14.00
A3754 57-58	TUBE - choke, 1x4 high choke, Carter WCFB ...14.00
A3756 59-62	TUBE - choke, 1x4 low choke, Carter WCFB, 250HP, 1x414.00
A3758 62	TUBE - choke, 300/340hp Carter AFB,14.00

Choke Tubes - Stainless Steel Tubing

A3752 56-61	TUBE - choke, 2x4 engine14.00
A3754 57-58	TUBE - choke, 1x4 high choke, Carter WCFB ...14.00
A3756 59-62	TUBE - choke, 1x4 low choke, Carter WCFB, 250HP, 1x414.00
A3758 62	TUBE - choke, 300/340hp Carter AFB,14.00

Clean Air Tubes

Tube from beneath exhaust manifold to top of engine near valve cover with rubber hose.	
A3759 62	HOSE - clean air tube3.50
A3764 62	STUD - lower clean air tube to exhaust manifold8.00
A3763 62	TUBE - clean air, lower w/bracket, carbureted engines, original steel tubing ...28.00
A3762 62	TUBE - clean air, lower w/bracket, carbureted engines, stainless steel31.50

Conditioners & Cleaners

A3977	CARBURETOR CLEANER4.95
G0115	FUEL STABILIZER - (8 oz)5.95
A3978	FUEL SYSTEM CONDITIONER8.95

Fuel Injection - Air Cleaner & Fuel Filter

A3451 58-62	ADAPTER - air cleaner on air meter (pr)	91.50
A3964 59-61	ADAPTER - fuel meter inlet to fuel filter	17.25
A3422 62	BRACKET - air cleaner adapter mounting	18.95
A3739 57-58	BRACKET - fuel filter	145.00
A5134 58-62	CLAMP - fresh air hose, AC to air meter (correct)	18.05
A3421 57	FILTER - air, black	20.60
A3925 57-58	FILTER - fuel canister	115.00
A3928 59-61	FILTER - fuel canister (repl.)	9.60
A3768 62	FILTER - fuel, F.I., GF 90/silver finish w/red script	42.95
A3769 57-58	FITTING - fuel injection fuel filter	4.00
A3600 59-61	FITTING/ADAPTER - GAS/FUEL INJECTION FILTER	8.70
A3913 59-61	FUEL FILTER ASSEMBLY	CALL
A0642 57E	FUEL FILTER ASSEMBLY - w/bracket (round boss)	674.95
A3767 57L-58	FUEL FILTER ASSEMBLY - w/bracket, (square boss)	579.00
A3458 58-62	GASKET - FI air cleaner adapter to air meter	4.60
A3452 57	PLUG SET - air cleaner tube caps on air cleaner (pr)	5.20
A0579 57-58	STUD & SET- Fuel filter bracket, (generic)	5.25
A3861 57-58	STUD SET - fuel filter bracket w/'O' head mark (pr)	25.25

Fuel Injection - Air Meter & Choke Assembly

A3793 57	COVER W/HARNESS - choke, #7014360, 7014520, 7014800, 7041800R & 7014960	249.95
A3794 58-61	COVER W/HARNESS - choke, #7014900, 7014900R, 7017200, 7017250, 7017300, 7017310 & 7017320	249.95
A9954 57	HARNESS - fuel injection choke leads	16.00
A9955 58-61	HARNESS - fuel injection choke leads	16.50
A9956 62	HARNESS - fuel injection choke leads	16.50

Fuel Injection - Fuel Meter

A3865 57-58E	CABLE & HOUSING ASSEMBLY - F.I. drive w/hex nut	135.00
A3705 58L-62	CABLE & HOUSING ASSEMBLY - F.I. drive, distributor to pump, w/knurled nut, NOS	83.25
A3952 57-62	CABLE - F.I., high pressure pump, 6 5/16 long, inserts into housing	44.95
A3951 57-62	CABLE - F.I., high pressure pump, 6 3/4 long, inserts into housing	44.95
A3363 57-62	RESTORATION - fuel meter hi pressure pump [price range \$245-345 depending on service required] used pump must be sent in for service	349.95
A3362 57-59	RESTORATION - solenoid on air meter / used solenoid must be sent in for reconditioning	69.95
A0581 57E	TAG - Fuel meter identification F.I. # 7014360	45.00
A0582 57	TAG - Fuel meter identification F.I. # 7014520	45.00
A0583 57	TAG - Fuel meter identification F.I. # 7014800	45.00
A0585 58	TAG - Fuel meter identification F.I. # 7014800R	45.00
A0586 58	TAG - Fuel meter identification F.I. # 7014900	45.00
A0584 57L	TAG - Fuel meter identification F.I. # 7014960	45.00
A0590 59	TAG - Fuel meter identification F.I. # 7017200	45.00
A0592 59	TAG - Fuel meter identification F.I. # 7017250	45.00
A0593 59	TAG - Fuel meter identification F.I. # 7017300	45.00
A0594 59	TAG - Fuel meter identification F.I. # 7017300R	45.00
A0595 60-61	TAG - Fuel meter identification F.I. # 7017310	45.00
A0596 60-61	TAG - Fuel meter identification F.I. # 7017320	45.00
A0597 62	TAG - Fuel meter identification F.I. # 7017355	45.00
A0598 62	TAG - Fuel meter identification F.I. # 7017360	45.00

When ordering 1957-62 Fuel Injection fuel meter tags, specify year and month required.

A0587 58	TAG - Fuel meter identification F.I. # 704900R	45.00
----------	--	-------

Fuel Injection - Intake Manifold

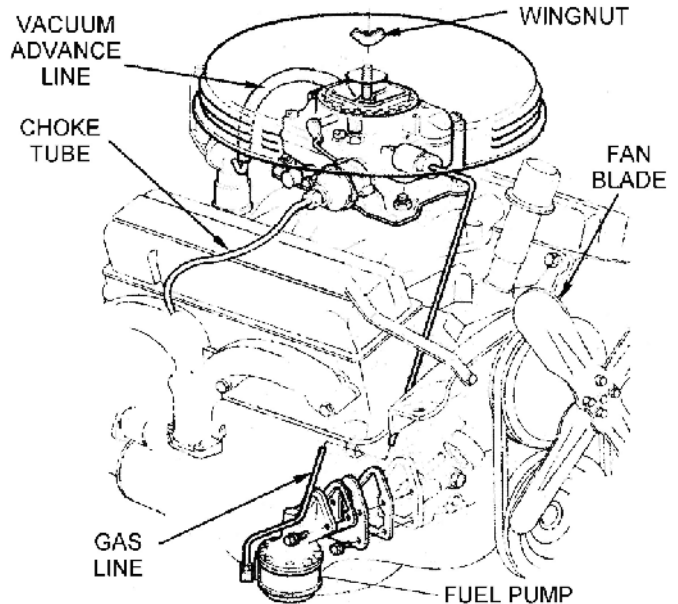
A5501 57-62	GASKET SET - intake manifold to heads, w/F.I., correct 'kormetal' w/dark gray color & round tab	25.00
A3659 57-62	NUT SET - intake manifold studs (8 pc)	2.00
A3601 57-61	STUD SET - fuel injection base plate to	

plenum attaching (8 pc)	12.00
-----------------------------------	-------

Fuel Injection - Other

A5428 57-62	BRACKET - coil, w/F.I.	19.25
A3656 57-59	REBUILD KIT - fuel injection unit, 57 all, 59/7300 series	189.95
A3858 58-62	REBUILD KIT - fuel injection unit	189.95
NOTE: A3656 and A3858 Rebuild Kits are the "Cadillac" of fuel injection rebuilding kits. Hundreds of correct parts, even down to the magnesium main control valve diaphragm stiffener.		
A9746 58-62	SHIELD - heat, F.I., washer, aluminum	79.95
A2038 56-62	STUD SET - 2x4, F.I. thermostat housing (stainless steel) (pr)	12.70
A3949 58-62	VALVE - cranking signal on 58-61 plenum, on 62 fuel meter	225.00

Fuel Pumps: New & AC Replacements



A3602 53-55	PUMP - fuel pump, 6 cylinder	61.25
A3604 55-56L	PUMP - fuel pump, all V8	31.95
A3606 56L-58	PUMP - fuel, late '56-early, '58 short screw	69.00
A3608 56L-58	PUMP - fuel, long screw, non AC replacement	59.95
A3610 59-62	PUMP - fuel pump, all V8	59.95

NOTE: Restored fuel pumps are recommended on all 1955-62 WCFB applications because those carburetors tolerate only 4.5 lbs. of fuel pressure. Some new pumps produce more pressure and may require a pressure regulator when used with a WCFB carburetor.

A3511 53-62	REGULATOR - fuel pressure	47.35
-------------	-------------------------------------	-------

Fuel Pumps: Remanufactured / Restored AC Pumps w/AC Logo, correct numbers & related installation components

A3884 57-62	BOLT SET - fuel pump mount plate, (pr)	3.50
A3792 55-62	BOLT SET - fuel pump to block, 265/283/327, w/'RSC' hm (2pc)	2.95
A3815 56L-62	FITTING - flexible gas line to pump, special correct 45 degree (56 2x4 only)	26.40
A3862 58-62	FITTING - flexible gas line, special 45 degree (replacement)	5.20
A3751 57-62	GASKET - fuel pump plate to block	2.95
A3785 57-62	GASKET - fuel pump to fuel pump plate	2.95
A3860 56-62	HOSE - fuel pump to front to rear line/flexible rubber w/fittings	12.95
A3893 55-62	PLATE - fuel pump mount	10.90
A3612 53	PUMP - fuel, 6 cylinder, AC #9797	239.95
A3614 54-55	PUMP - fuel, 6 cylinder, AC #4132	199.95
A3616 55E	PUMP - fuel, early 55, V8, AC #4150	179.95
A361755L-56E	PUMP - fuel, late 55, early 56 V8, AC #4262	142.75
A3620 56L-57	PUMP - fuel, long screw, AC #4346	279.00
A3621 58	PUMP - fuel, only, AC #4445, in/out 180 degree	239.95
A3622 59-62	PUMP - fuel, all, AC #4656	149.95
A3631 55-62	PUSH ROD - fuel pump, in block	14.10
A3974 55-56E	REBUILD KIT - fuel pump, AC #4150/4262	56.75
A3772 56-57	REBUILD KIT - fuel pump, AC #4346 / dual diaphragm, six valve	109.55
A3894 58-62	REBUILD KIT - fuel pump, AC #4445/4656	56.75
A3889 53-62	RECOLORING - fuel pump	35.00

Fuel Pumps: Vacuum Lines

A3626	53-54	LINE - vacuum, pump to intake manifold	40.95
A3630	53-54	LINE - vacuum, pump to intake manifold, (stainless steel)	44.95
A3624	53-54	LINE - vacuum, pump to wiper motor hose	40.95
A3628	53-54	LINE - vacuum, pump to wiper motor hose, (stainless steel)	44.95

Gas Line Kits - Pump to Carburetor - Original Tined Steel Tubing

Gas lines are steel tubing with double inverted flares and steel nuts, same as O.E.M. All are pre-bent into exact original shape.

A3813	53-55	LINE KIT - gas, 6 cyl., 5 steel lines, 2 fittings, 7pc	78.00
A3870	55-56	LINE KIT - gas, 195/210hp w/filter, 3 fittings	28.50
A3881	55-56	LINE KIT - gas, 195/210hp, w/o fuel filter, 3 fitting	33.00
A3872	56-58L	LINE KIT - gas, dual quad, 3 lines, 5 fittings & filter	79.95
A3903	56-58E	LINE KIT - gas, dual quad, 3 lines, 5 fittings w/o filter assembly	48.00
A3873	58L-61	LINE KIT - gas, dual quad, 3 lines, 5 fittings & filter assembly	79.95
A3741	58L-61	LINE KIT - gas, dual quad, 3 lines, 5 fittings w/o filter assembly	48.00
A3871	57-58	LINE KIT - gas, 220/230hp w/filter, 3 fittings (w/#4445 fuel pump)	79.95
A3866	57-58	LINE KIT - gas, F.I. 2 piece w/4 fittings (w/#4445 fuel pump)	49.00
A3874	58L-62	LINE KIT - gas, 230/250hp single carb, fitting (w/#4656 fuel pump)	24.50
A3868	59-61	LINE KIT - gas, F.I. w/fitting, uses canister filter	25.25
A3875	62	LINE KIT - gas, 300/340 w/filter, 3 fittings	69.95
A3807	62	LINE KIT - gas, 300/340 w/o filter, 3 fittings	36.00
A3869	62	LINE KIT - gas, F.I. w/fittings and GF 90 filter	64.95
A3805	62	LINE KIT - gas, F.I. w/fittings, w/o filter	28.00

Gas Line Kits - Pump to Carburetor - Stainless Steel Tubing

Gas lines are steel tubing with double inverted flares and steel nuts, same as O.E.M. All are pre-bent into exact shape as original.

A3801	54-55	LINE KIT - gas, 5 stainless steel lines / original fittings must be used (5pc)	79.95
A3802	55-56	LINE KIT - gas, 195/210hp w/filter, 3 fittings (SS)	35.65
A3804	57-58	LINE KIT - gas, 220/230hp w/filter, 3 fittings (SS)	35.00
A3806	59-62	LINE KIT - gas, 230/250hp single carburetor fitting (SS)	21.25
A3810	56-58	LINE KIT - gas, dual quad, 3 lines, 5 fittings, filter (SS)	74.95
A3718	56-58	LINE KIT - gas, dual quad, 3 lines, 5 fittings-no filter assembly (SS)	39.95
A3812	59-61	LINE KIT - gas, dual quad, 3 lines, 5 fittings, w/filter (SS)	74.95
A3748	59-61	LINE KIT - gas, dual quad, 3 lines, 5 fittings, w/o filter, (SS)	39.95
A3814	57-58	LINE KIT - gas, F.I. 2 piece w/4 fittings (SS)	41.50
A3816	59-61	LINE KIT - gas, F.I. w/fitting, uses canister filter (SS)	29.95
A3822	62	LINE KIT - gas, 300/340hp w/filter, 3 fittings (SS)	74.95
A3824	62	LINE KIT - gas, 300/340hp w/o filter, 3 fittings, (SS)	36.00
A3818	62	LINE KIT - gas, F.I. w/fittings and correct GF 90 filter (SS)	84.50
A3820	62	LINE KIT - gas, F.I. w/fittings, w/o filter (SS)	35.00

Generator & Related

A0450	53-62	BEARING - generator pulley end	9.25
A0452	53-61	BEARING - generator tach drive end	9.25
A0460	56-62	BOLT & WASHER KIT - generator adjusting, 'WB' head mark	3.00
A0455	58-62	BOLT & WASHER KIT - generator pivot 'UR' HM, all 58-61 F.I., all 1962 w/solid mount end plates	6.10
A0405	56-61	BOLT & WASHER KIT - generator pivot 'UR' HM, w/o F.I., w/stove nuts (pr)	6.10
A0413	58-61	BOLT KIT - generator 'U' bracket to plate/plate to manifold	10.95
A0433	56-61	BOLT SET - tach drive unit to generator	3.25
A0438	55-57	BRACE - generator adjusting	45.35
A0440	58-62	BRACE - generator adjusting	24.95
A0599	53-55	BRACE - generator adjusting, 6 cylinder	35.75
A0431	56-62	BRACKET - capacitor #1911095 on generator	

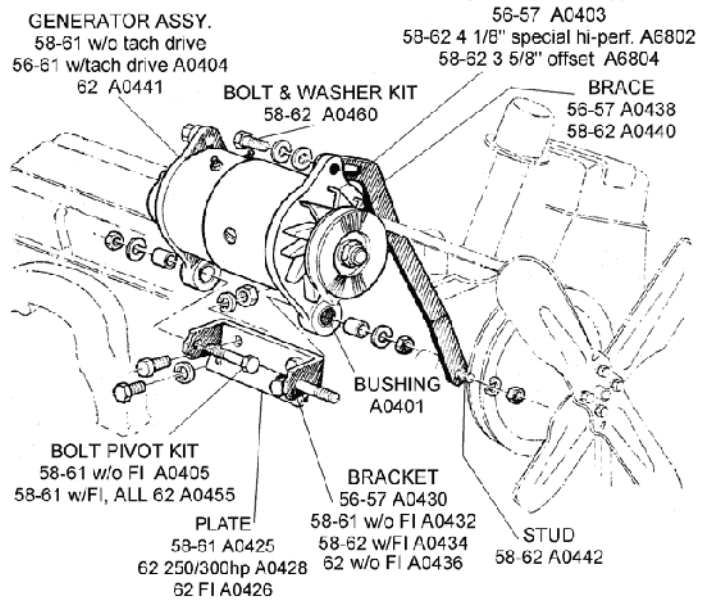
(replacement)1.25

A0459	56-62	BRACKET - capacitor #1911095 on generator, restored	10.00
A0458	56-62	BRACKET - capacitor on voltage regulator, restored	5.00
A0498	53-55	BRACKET - generator / all w/6 cylinder	39.95
A0430	56-57	BRACKET - generator mount	38.75
A0432	58-61	BRACKET - generator mount, w/o F.I. (hydraulic lifters & generators w/solid mount end plates, 6-5/8' long)	34.75
A0436	62	BRACKET - generator mount, w/o F.I.	39.00
A0434	58-62	BRACKET- generator mount, w/F.I. (except hydraulic lifters & generators/solid mount end plates. 7-1/8' long)	30.00
A5158	58-62	BRACKET - heater hose, on generator	14.60
A0401	56-62	BUSHING & SLEEVE - generator mount, rubber	6.85
A7113	56-62	CAPACITOR & BRACKET - generator, GM #1911095, w/Delco logo & part number	21.95
A7178	56-62	CAPACITOR - generator, GM #1911095, restored original w/Delco logo & part number . CALL	
A3854	58L-62	CLIP SET - fuel line to frame (4 pc)	7.00
A6000	56-61	GASKET - Tach drive unit housing	4.15
A0414	56-61	GEAR - tach drive unit, large, fiber	44.95
A0415	56-61	GEAR - tach drive unit, large, nylon, replaces standard fiber gear	20.05
A0416	56-61	GEAR - tach drive unit, small, metal	23.35
A0425	53-54	GENERATOR - #1102793, 6 volt w/correct numbered original tag (specify)	350.00
A0421	55	GENERATOR - #1102025, restored, tach drive w/correctly numbered (specify) dated tag (w/o tach drive unit)	375.00
A0423	56-61	GENERATOR - #1102043, restored, tach drive, w/correctly numbered (specify) dated tag, (w/o tach drive unit)	375.00
A0419	57-59	GENERATOR - #1102059. restored w/correct number & dated Specify tag, non-tach drive, w/o pulley	365.00
A0407	59-61	GENERATOR - #1102173, restored, w/correctly numbered and dated Specify tag, w/o pulley, (non tach drive)	495.00
A0409	62	GENERATOR - #1102174, restored, 250/300hp w/correctly numbered and dated Specify tag, w/o pulley, non tach drive unit	439.95

NOTE: All dated generators are a special order. Allow 2-3 weeks for delivery.

A0441	62	GENERATOR - #1102268, restored, correctly numbered & dated, Specify tag, w/o pulley, 340/360hp, non-tach drive	495.00
A0406	56-61	GENERATOR - tach drive, outright price, no exchange	295.00

GENERATOR and PULLEY ASSEMBLY PULLEY & FAN ASSY.



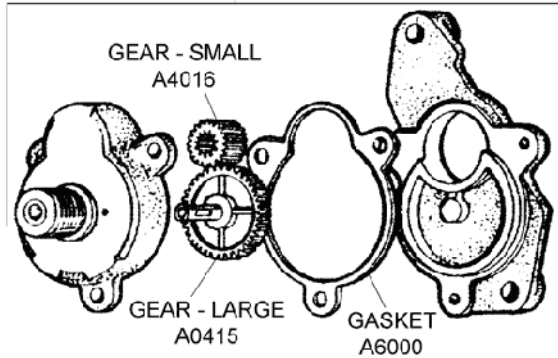
Early 1958s w/RH hood support do not use a generator mount plate.

The mount bracket bolts directly to the exhaust manifold.

A0404	56-61	GENERATOR - tach drive, rebuilt, w/o pulley, w/exchange	179.95
G5107		GREASE - white lithium, all purpose, anti-moisture, 16 oz. aerosol	5.95
A0448	53-62	GROMMET & BUSHING SET - voltage regulator mounting. (3 pc)	8.65
A0602	55-62	MOUNT KIT - regulator harness to generator (includes: bolt for capacitor & nuts for generator	

	harness posts) (3pc)	4.40
A0426 58-62	MOUNT PLATE - generator, 1958-61 all / 1962 w/F.I.	13.45
A0428 62	MOUNT PLATE - generator, all except F.I. 250 / 300 / 340hp	13.45
B0405 53-62	NUT & WASHER KIT - generator pulley	5.00
A6891 53-55	PULLEY - generator, cast iron w/fan, 6 cyl .	295.00
A6890 53-55	PULLEY - generator, cast iron, w/o fan, 6 cyl	239.00
A6897 55-56E	PULLEY - generator, (55 all), (56 195/225hp)	34.95
A0403 56-57	PULLEY - generator 3 5/8" diameter, deep groove	89.95
A6804 58-62	PULLEY - generator 3 5/8" w/offset exc. F.I	124.95
A6802 58-62	PULLEY - generator 4 1/8" F.I./spec HI perf w/HL cam	128.90
A0412 56-61	REPAIR KIT - tach drive unit: shaft & gasket	28.00
A0463 53-62	RESTORATION - voltage regulator	109.95
A0604 53-61	RESTORATION KIT - generator, w/2 terminal posts, 2 brushes, 1 order assembly, 2 bearings, 2 bushings & 2 oil caps.	49.95
A2527 53-61	RIVET SET - Delco generator tag, (pr)	2.00
A0443 56-62	SCREW SET - voltage regulator mounting (3 pc)	3.65
A0420 56-57	SHIELD - heat, generator	15.00
A0422 58-60	SHIELD - heat, generator	15.00
A0462 56-62	SLEEVE - generator mount bushing	2.75
A0442 58-62	STUD - generator brace to water pump mount .	13.00
A0408 55-61	TACH DRIVE UNIT - w/o gears	104.00

**TACH DRIVE UNIT
w/gears A0410
w/o gears A0408**



A0410 56-61	TACH DRIVE UNIT KIT - w/2 gears	168.05
-------------	---------------------------------------	--------

**GENERATOR
ID TAG
A2380**



A2380 53-62	TAG - for generator / metal, red w/correct rivets, stamped w/correct part number & date, as original	30.75
-------------	--	-------

NOTE: The generator ID tag is right side up from the drivers side. It is upside down as you look at the tag over the passenger fender.

A2306 53-62	TAG - red circle/cardboard, field pole	3.15
A0418 55-62	TAG SET - Delco ID unstamped, w/rivets, (3 pc)	18.65
A0495 53-55	VOLTAGE REGULATOR - 6 volt	39.95
A0444 53-55	VOLTAGE REGULATOR - 6 volt, Delco W/logo	69.95
A0447 56-57	VOLTAGE REGULATOR - (reconditioned original), #1119001 / call for dates available, special order	CALL
A0417 58-62	VOLTAGE REGULATOR - (reconditioned original), #1119001 / call for dates available, special order	CALL
A0603 62	VOLTAGE REGULATOR - DELCO REMY (reconditioned original), #1119002E / call for dates available, special order	CALL
A0449 55-62	VOLTAGE REGULATOR - replacement	39.95
A0446 55-61	VOLTAGE REGULATOR - 12 volt, Delco W/logo ..	49.95
A0411 62	VOLTAGE REGULATOR - 12 volt, Delco W/logo ..	59.95

Ground Strap Kits - Radio

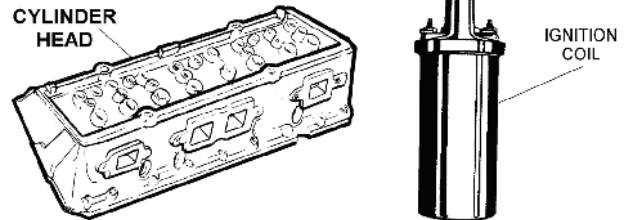
A7102 55-60	GROUND STRAP KIT - radio	25.95
A7107 61-62	GROUND STRAP KIT - radio	25.95

Harmonic Balancers

A2803 62	BOLT SET - harmonic balancer mounting, 327 w/sp. hi-performance, (or crank w/threaded end),	
----------	---	--

	(3 pc)	11.65
A6827 60-62	BOLT SET - pulley to balancer, 'E' head mark (3 pc)	9.15
A6896 53-54	HARMONIC BALANCER & PULLEY - 6 cylinder, reconditioned	179.95
A6801 55-57	HARMONIC BALANCER w/PULLEY	190.00
A6814 56-58E	HARMONIC BALANCER - w/special deep groove pulley riveted on (exch.) 56 240hp, 57 245-270hp, 58E 230-270E	325.85
A2800 57-61	HARMONIC BALANCER - crankshaft, riveted, restored, except 59-61 270-315hp	235.95
A2824 57-62	HARMONIC BALANCER - crankshaft	157.50
A2813 59-61	HARMONIC BALANCER - crankshaft, all 270/315hp	343.10
A2825 62	HARMONIC BALANCER - crankshaft, 340/360hp (current GM replacement)	171.25
A2880 62	HARMONIC BALANCE - crankcase 250/300hp	195.00
A2827 62	HARMONIC BALANCER - finned as original, 340/360hp	369.00
A8308 53-62	PULLER - harmonic balancer, heavy duty	18.95
A0606 58-62	REBUILD KIT - Harmonic balancer, 6 rivets, 2 special molded rubber cushions	45.00
A0605 53-62	REPAIR SLEEVE - Harmonic balancer-renew area where seal rides non balancer (w/adhesive & instructions)	7.95
A0607 55-58	SLINGER DEFLECTOR - crankcase oil-between timing chain gear & spacer, A2828 on crankshaft between seal, keeps oil away from balance seal ...	14.25
A2828 56-62	SPACER - harmonic balancer, stamped steel ...	8.65

Heads



Heads are unmodified, cleaned, magna-fluxed, bare and guaranteed rebuild-able. Priced individually. Call on date availability. We have access to over 1000 heads. Modified #3782461X heads sometimes available at reduced price.

A2830 55	CYLINDER HEAD - #3703520	CALL
A2832 56	CYLINDER HEAD - #3725306, except late 245hp (ea)	CALL
A2834 56L	CYLINDER HEAD - #3731762, w/245hp, 2x4 (ea) ..	CALL
A2836 57	CYLINDER HEAD - #3731539, w/FI (ea)	CALL
A2838 57	CYLINDER HEAD - #3740997, w/o FI (ea)	CALL
A2840 58	CYLINDER HEAD - #3748770 (ea)	CALL
A2842 59	CYLINDER HEAD - #3755550 / staggered valve cover bolt pattern, production ended APRIL 1959 (ea)	CALL
A2844 59L	CYLINDER HEAD - #3767465 / straight across valve cover bolt pattern, production started MAY 1959 (ea)	CALL
A2846 60-61	CYLINDER HEAD - #3774692 (ea)	CALL
A2848 61	CYLINDER HEAD - #3782461X, w/FI (ea)	CALL
A2884 62	CYLINDER HEAD - #3782461X, 300/340/360hp (ea)	CALL
A2850 62	CYLINDER HEAD - #3795896, 250hp (ea)	CALL
A8328 57-62	FEELER GAUGE - for setting valve lash	2.95
A0608 56-62	HEAD GASKET SET - composite w/steel core center	14.95

Ignition System

Coils, Ballast Resistors, & Leads

All coils are show quality restored with correct embossed numbers on original Delco units.

A8608 55-62	BALLAST RESISTOR - on firewall, Delco D1111 w/black dot	27.25
B0437 53-62	BOLT SET - coil bracket mounting all 'E' head mark (pr)	6.25
A0461 56-62	BRACKET - capacitor on coil, restored	6.00
A0609 53-55	BRACKET - coil, 6 cylinder	29.95
A5427 56-57	BRACKET - coil, figure '8'	94.75
A5424 56-62	BRACKET - coil, RH w/shield support, w/o FI .	26.95
A5428 57-62	BRACKET - coil, w/F.I.	19.25
A7184 56-57	CAPACITOR - coil, GM #1929070, restored original w/Delco logo & part number	CALL
A7129 58-62	CAPACITOR - coil, GM #1947452, restored original w/Delco logo & part number	39.95
A2570 53-55	COIL - 6 volt, '394' (#1115394)	245.00
A2569 53-54	COIL - 6 volt, NOS Delco, w/correct script on lid (service unit)	89.95
A2490 56-60	COIL - all w/carburetor '091' #1115091 / MADE IN USA	160.00

A2491 61-62	COIL - all w/carburetor '091' #1115091 / MADE IN USA160.00
A2572 56-62	COIL - all w/carburetor '091' #1115091 / imported89.95
A2492 57-60	COIL - all w/fuel injection, '107' #1115107 / MADE IN USA160.00
A2493 61-62	COIL - all w/fuel injection, '107' #1115107 / MADE IN USA160.00
A2573 57-62	COIL - all w/fuel injection, '107' #1115107 / imported89.95
A2508 55-62	COIL - 12 volt/correct size & height, replacement28.00
A5401 56-62	SCREW & WASHER KIT - coil bracket (2 pc)1.85
A2560 56-60	SCREW - coil ballast resistor to firewall, clutch head (ea)3.20
A2587 61-62	SCREW & WASHER - coil ballast resistor to firewall, Philips head (ea)1.95
A9901 55	WIRE - coil to ballast resistor lead, braided24.00
A9902 58-62	WIRE - coil to ballast resistor lead11.00

Complete Distributors & Identification Material

A2578 53-54	DISTRIBUTOR - tach drive / restored originalCALL
A2470 56E	DISTRIBUTOR - GM #1110872 dual point w/dated tag, RESTORED394.95
A2471 56L	DISTRIBUTOR - GM #1110879 dual point w/dated tag, RESTORED394.95
A2558 57-61	DISTRIBUTOR - GM #1110891, dual point, rebuilt w/exchange119.95
A2475 58	DISTRIBUTOR - GM #1110890, remanufactured w/correct vacuum advance where vacuum advance line screws into it and there is a curved oil tube w/cap & dated identification band215.00
A2476 59-61	DISTRIBUTOR - GM #1110946, remanufactured w/correct dated tag, correct distributor with round vacuum advance & side oiler distributor body215.00
A2483 58-61	DISTRIBUTOR - GM #1110914 W/FI, w/hi-perf. 290/315hp, w/tach driveCALL
A2484 58-61	DISTRIBUTOR - GM #1110915 W/FI, w/hi-perf. 250/275hp, w/o tach drive, restoredCALL
A2485 62E	DISTRIBUTOR - GM #1110990 W/FICALL
A2486 62L	DISTRIBUTOR - GM #1111011 W/FICALL
A2526 62	DISTRIBUTOR - rebuilt/exchange, your 1962 model tach drive distributor139.95
A2522 62	DISTRIBUTOR - tach drive, 250/300hp, new, single point, w/cap & rotor379.95
A2562 62	DISTRIBUTOR - tach drive, 250/300hp, single point (reconditioned, w/o exchange)279.95
A6659 62	DISTRIBUTOR - tach drive, 250/300hp, single point, with side oiler cap in body. 1962 only (reconditioned, w/o exchange)294.95
A2524 62	DISTRIBUTOR - tach drive, original, 340hp dual point, restored279.95
B0005 62	DISTRIBUTOR - tach drive, w/electronic ignition, single wire lead, can not be told from a point distributor from the outside379.95
A2446 62	DISTRIBUTOR - tach drive, new w/Pertronix Ignitor II ignition system519.00
B0489 58-61	DISTRIBUTOR - w/electronic ignition, w/o tach drive, ignition, single wire lead, can not be told from a point distributor from the outside (1110890/1110946 style)299.95
A2384 58-62	ID BAND - (58-61 230hp, 62 all except F.I.) 'Delco Remy' w/date and distributor part # as original, (all 230 hp)30.25
A2518 58-62	ID PLATE - FI distributor with part number and production date94.85



DISTRIBUTOR ID TAG A2382

A2382 55-61	ID TAG - with rivets, metal, black 55-56 all, 57-61 with dual point, stamped w/correct part number and date 'as original'29.95
-------------	--

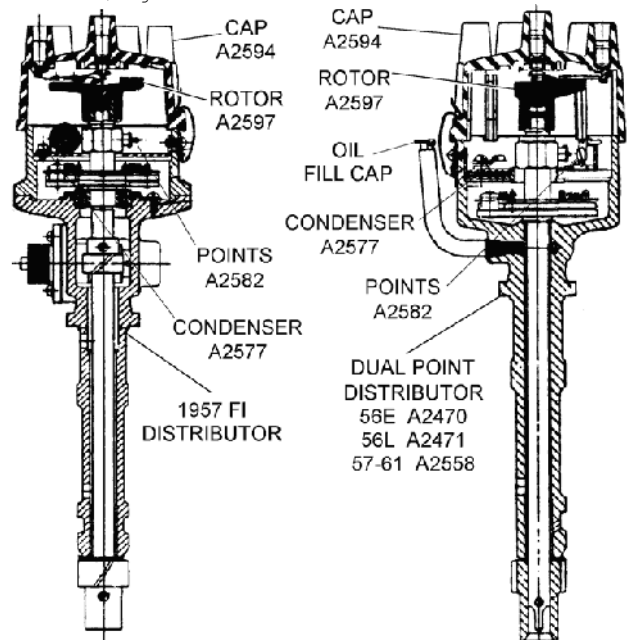
Distributor - 1953-54 6 Cylinder

A2517 53-54	CAP - distributor, 6 cyl., Delco D306 w/logo, NOS12.95
A2519 53-54	CAP - distributor, 6 cylinder, generic6.95
A1770 53-54	CAP & ROTOR KIT/NOS DELCO - 6 cylinder /in sealed Delco box17.95
A2577 53-54	CONDENSER - distributor5.95
A2567 53-54	CONDENSER - distributor, Delco #1928111 w/logo, NOS7.95
A2636 53-54	LUBRICANT - point opening cam3.95
A2563 53-54	MAIN SHAFT - distributor w/side adapter and

A2529 53-54	adapter plate250.00
A2527 53-61	POINTS - NOS Delco #19258529.95
A2515 53-54	RIVET SET - Delco generator tag, (pr)2.00
A0612 53-54	ROTOR - Delco #1924245 w/logo, NOS9.95
A9985 53-54	ROTOR - replacement4.75
	WIRE - distributor to coil11.00

Distributor - 1955 & Dual Point 1956-61 Without Fuel Injection

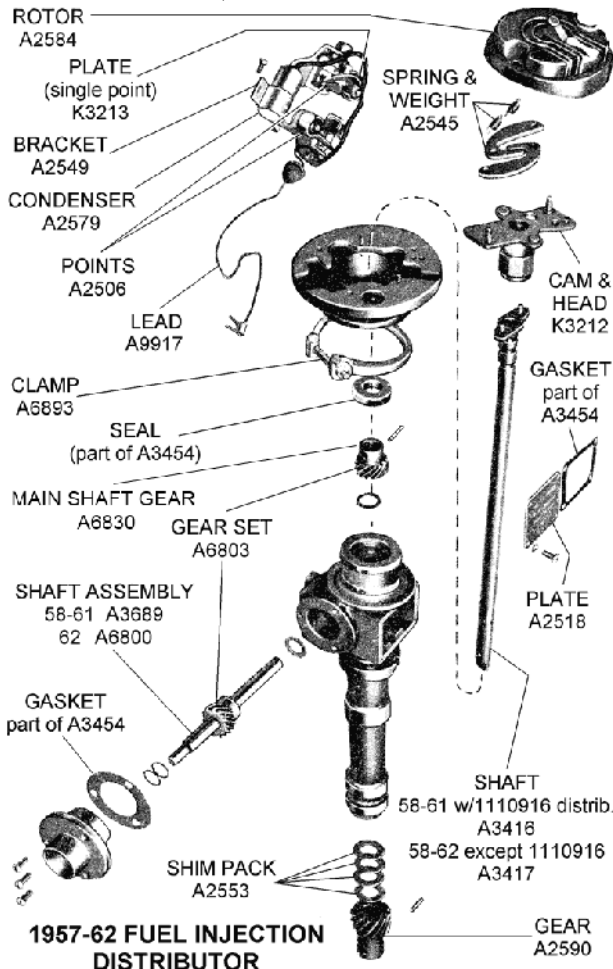
A2594 55-61	CAP - distributor (1955-57 all engines, 1957-61 dual point distributor #1110891), GM #1917247, w/Delco logo **NOS**79.95
A2544 55-61	CAP - distributor (1955-57 all engines, 1957-61 dual point, 1110891, (replacement)15.50
A2561 57-61	CLAMP (SOLID) 'A' shaped & BOLT - distributor hold-down10.50
B2512 60-62	CLAMP (WIRE) & BOLT - distributor hold-down10.35
A2438 55-61	CLIP & RETAINER - distributor cap, #'s 1110872, 1110879 & 1110891 / 2 required per distributor, each6.75
A2577 55-61	CONDENSER - distributor5.95
A2567 55-61	CONDENSER - distributor, Delco #1928111 w/logo NOS7.95



A2434 55	DISTRIBUTOR - GM #1110855 (recond.)499.95
A2470 56E	DISTRIBUTOR - GM #1110872 dual point w/dated tag, RESTORED394.95
A2471 56L	DISTRIBUTOR - GM #1110879 dual point w/dated tag, RESTORED394.95
A2558 57-61	DISTRIBUTOR - rebuilt, dual point #1110891 w/exchange - includes new points, condenser, bushings (as required), cap w/rotor & detailing. dated tags available at an additional cost [CORE CHARGE \$224.95]119.95
A8328 55-61	FEELEER GAUGE - for setting point gap2.95
A2547 55-61	GASKET - distributor to intake2.95
A2590 55-61	GEAR - lower distributor drive19.95
A2581 55-61	GROMMET - distributor lead wire/rubber3.00
A2382 55-61	ID TAG - with rivets, metal, black 55-56 all, 57-61 with dual point, stamped w/correct part number and date 'as original'29.95
A2436 56-61	JUMPER - wire lead/between points, distributors #1110872, 1110879 & 111089111.95
A2636 55-61	LUBRICANT - point opening cam3.95
A0613 55-61	PIN / RETAINER - lower distributor gear1.00
A2511 55	POINTS - distributor Delco, GM #1938340, w/logo, NOS11.95
A2513 56-61	POINTS - distributor, all 56-57 & 56-61 w/1110891, GM #1938330, NOS, (2 req. ea)27.95
A2582 56-61	POINTS - distributor/dual point (2 require, ea.)23.00
A2510 55-61	REBUILD SERVICE - dual point distributor, 220/245/270hp (includes: 2 sets new points, condenser, rotor & cap- bushings if required)119.95
A2527 55-61	RIVET SET - Delco distributor tag (pr)2.00
A2585 55	ROTOR - distributor NOS DELCO #19172499.95
A2583 55-61	ROTOR - distributor, 55-57 all, 57-61 dual point4.25
A2597 55-61	ROTOR - distributor, 56-57 1x4, 56-61 dual point, Delco #1927393 / D407 w/logo, ** NOS**9.95
A0617 55-62	SCREW SET - ignition points1.00

A2553 55-61	SHIM PACK - between housing & bottom gear (4 pc)	5.60
A0614 56-61	TUBE - w/cap wick-oil fill	34.65
A9917 55-61	WIRE - distributor to coil	9.00
Distributor - 1957-62 With Fuel Injection		
A2549 55-62	BRACKET - condenser	1.50
A3865 57-58E	CABLE & HOUSING ASSEMBLY - F.I. drive w/hex nut	135.00
A3705 57L-62	CABLE & HOUSING ASSEMBLY - F.I. drive, distributor to pump, w/knurled nut, NOS	83.25
A3951 57-62	CABLE - F.I., high pressure pump, 6 3/4 long, inserts into housing	44.95
A3952 57-62	CABLE - F.I., high pressure pump, 6 5/16 long, inserts into housing	44.95
A1416 58-61	CABLE - tachometer, F.I., steel case (w/correct firewall seal/grommet) w/ tach drive	76.80
A1450 57-62	CABLE - tachometer, w/F.I., w/square drive	75.00
K3212 58-62	CAM & HEAD - distributor shaft (point opening cam w/weight support plate)	32.95
A2544 57	CAP - distributor	15.50
A2594 57	CAP - distributor, #1917247 w/Delco logo, **NOS**	79.95
A2546 58-62	CAP - distributor, single point, (replacement)	13.00
A2445 58-62	CAP - distributor w/correct 'DELCO REMY PATENT PENDING' logo/as original/all w/single point	63.95
A2543 58-62	CAP - distributor, W/'DELCO REMY PATENT PENDING' logo as original/all w/dual points, 2 windows/copper contacts, Delco D324, NOS	124.95
A3419 57-59	CAP - tachometer drive on distributor, hex	35.00
A2561 57-62	CLAMP (SOLID) 'A' shaped & BOLT - distributor hold-down	10.50
B2512 60-62	CLAMP (WIRE) & BOLT - distributor hold-down	10.35
A6893 58-62	CLAMP - top half distributor to bottom coupler, w/fastener	60.00
A2438 1957	CLIP & RETAINER - distributor cap, #'s 1110889, 1110905 & 1110906 / 2 required per distributor, each	6.75

A6892 57-62	w/logo	8.95
A6892 57-62	COUPLER/FITTING - distributor pump drive cable	85.00
A6895 57-62	CROSS GEAR SET - distributor, main & cross shaft	150.00
A3689 58-61	CROSS SHAFT - #1110914 distributor, w/ gear	89.95
A6894 62	CROSS SHAFT - #1110990/#1111011 distributor, w/o gear	95.00
A2504 57-58E	DISTRIBUTOR - w/F.I. w/vacuum advance, #1110906	CALL
A2503 57-58E	DISTRIBUTOR - w/F.I. w/o vacuum advance, #1110905	CALL
A2505 57-58E	DISTRIBUTOR - w/F.I. dual drive, #1110908	CALL
NOTE: Various distributor dates available on A2470, A2471 and A2558.		
A2483 58-61	DISTRIBUTOR - GM #1110914 W/FI, w/hi-perf. 290/315hp, w/tach drive	CALL
A2484 58-61	DISTRIBUTOR - GM #1110915 W/FI, w/hi-perf. 250/275hp, w/o tach drive, restored	CALL
A2485 62E	DISTRIBUTOR - GM #1110990 W/FI	CALL
A2486 62L	DISTRIBUTOR - GM #1111011 W/FI	CALL
A8328 55-62	FEELER GAUGE - to set point gap	2.95
A3453 57-62	FITTING - distributor tachometer drive coupler	25.00
A3454 58-62	GASKET & SEAL KIT - fuel injection distributor	38.65
A2547 55-62	GASKET - distributor to intake	2.95
A3921 58-62	GASKET KIT - fuel injection distributor (5 pc)	8.45
A2590 58-61	GEAR - lower distributor drive	19.95
A6830 58-62	GEAR - main shaft / drives cross gear	175.00
A2581 61	GROMMET - distributor lead/rubber	3.00
A0424 58	GROMMET - firewall / tach cable, F.I., (not included w/grommet kit)	20.20
A9917 55-62	LEAD WIRE - distributor to coil	9.00
A3963 57	LINE KIT - oil, 1110889/905/906/908 distributors, includes fitting	28.00
A6528 57-62	LINE KIT - oil, F.I. distributor, used w/A6527	24.00
A2636 58-62	LUBRICANT - point opening cam	3.95
A2551 58-62	LUBRICATOR KIT - point opening cam, (retainer w/wick)	10.35
A3420 58	NUT - fuel meter pump drive cable, hex, narrow	25.00
A3965 57	NUT - fuel meter pump drive cable, hex, wide	22.95
A0613 57-62	PIN/RETAINER - lower distributor gear to shaft	1.00
K3213 58-62	PLATE - distributor, that points & condenser mount to, (single point)	24.95
A2506 58-62	POINTS - distributor	7.00
A2509 58-62	POINTS - distributor, Delco, NOS D106 W/logo	14.95
A2582 57-61	POINTS - distributor, (dual point)	23.00
A2513 57	POINTS - distributor, GM # 1938330 / DISTRIBUTOR #'S 1110905, 1110906 & 1110908	27.95
A2507 58-62	POINTS - distributor, heavy duty, NOS Delco D106hp w/logo	22.95
A2533 58-62	POINTS/CONDENSER KIT - NOS Delco (A2509 & A2568)	19.95
A3661 57-62	RESTORATION SERVICE - FI DISTRIBUTOR/all new gaskets & seals, points, condenser, rotor & cap-detailing & setup/other hard parts	185.00
A2527 57	RIVET SET - Delco distributor tag (pr)	2.00
A2584 62	ROTOR - distributor	6.00
A2583 55-61	ROTOR - distributor, 55-57 all, 57-61 dual point	4.25
A2589 62	ROTOR - distributor, black, Bakelite, Delco Remy #D409, NOS/NEW	13.95
A2597 57	ROTOR - distributor, Delco #1927393 w/logo **NOS**	9.95
A0617 57-62	SCREW SET - Points (2 pc)	1.00
A3417 58-62	SHAFT - distributor main, all except #1110915	195.00
A3416 58-61	SHAFT - distributor main, for #1110915	215.00
A2553 55-62	SHIM PACK - between housing & bottom gear, (4 pc.)	5.60
A2554 58-62	SMALL PARTS KIT - distributor includes, grommets, nylon spacer, 4 screws, snap ring & roll pin (9pc)	7.80
A3923 58-62	SPACER & GASKET KIT - between distributor and intake	57.00
A2545 58-62	SPRING & WEIGHT KIT - top of distributor (2 of each)	14.95
A2477 58-62	TUNE-UP KIT - single point distributor / points, condenser, cap & rotor	23.00
A0646 57	VACUUM ADVANCE - #1110906 distributor (repl.)	22.45



1957-62 FUEL INJECTION DISTRIBUTOR

A2577 57	CONDENSER - distributor	5.95
A2579 62	CONDENSER - distributor	4.65
A2567 57	CONDENSER - distributor, Delco #1928111 w/logo, NOS	7.95
A2568 58-62	CONDENSER - distributor, NOS Delco #1932004	

A2431 59	VACUUM ADVANCE - #1116134 for #1110915 distributor	CALL
A2432 60-61	VACUUM ADVANCE - #1116146 for #1110915 distributor	CALL

A2586	62	VACUUM ADVANCE - distributor	14.00
A2711	57-61	VACUUM ADVANCE RESTORATION - includes replating	49.95

Distributor - 1958-61 Rebuilding Components - Non-Tach Drive, Non-Fuel Injection, Non-Dual Point

A2549	58-61	BRACKET - condenser	1.50
A2541	58-61	BUSHING - distributor main shaft, lower	10.40
A2599	58-61	BUSHING - distributor main shaft, upper	8.00
K3212	58-61	CAM & HEAD - distributor shaft (point opening cam w/weight support plate)	32.95
B2512	60-61	CLAMP & BOLT - distributor hold-down	10.35
A2561	57-61	CLAMP (SOLID) 'A' shaped & BOLT - distributor hold-down	10.50
A2579	58-61	CONDENSER - distributor	4.65
A2568	58-61	CONDENSER - distributor, NOS Delco #1932004 w/logo	8.95
A2475	58	DISTRIBUTOR - GM #1110890, remanufactured w/correct vacuum advance where vacuum advance line screws into it and there is a curved oil tube w/cap & dated identification band	215.00
A2476	59-61	DISTRIBUTOR - GM #1110946, remanufactured w/correct dated tag, correct distributor with round vacuum advance & side oiler distributor body	215.00
A2445	58-61	DISTRIBUTOR CAP - w/correct 'DELCO REMY PATENT PENDING' logo/as original	63.95
A2546	58-61	DISTRIBUTOR CAP - single point, (replacement)	13.00



A0992	58-61	ELECTRONIC IGNITION CONVERSION SYSTEM Say goodbye to Point-Type Ignition... Without replacing distributor, modifying harness or compromising appearance! The Break Less SE ignition kit is designed to convert 1958-61 GM V8 distributors, originally equipped with breaker points and window-style distributor caps (single or dual point), to solid-state electronic ignition. Unlike competitive systems, this is a single wire system. No additional wires protrude from the distributor, only the single, original point wire. The result is a state-of-the-art ignition with a totally stock look. Includes step by step instructions. 3 year warranty. Made in USA. * Single wire operation. * No Chance of mis-wiring your distributor and damaging the module. * Auto shut off feature.* Hall Effect rotary-vane sensor * Over voltage protected * Operates down to 6 volts for cold weather starting. * Can be installed with distributor remaining in car. * Maintenance Free * Legal for use on emission controlled vehicles. *W recommend use of your original factory wiring, ... window-type distributor and stock coil. ...	169.50
A2547	55-61	GASKET - distributor to intake	2.95
A2590	58-61	GEAR - lower distributor drive	19.95
A2581	58-61	GROMMET - distributor lead wire/rubber	3.00
A2462	58-61	GROUND WIRE W/TERMINAL - distributor point plate	3.95
A2384	58-61	ID BAND - Delco Remy w/date and distributor part # as original, (all 230 HP)	30.25
A2636	58-61	LUBRICANT - point opening cam	3.95
A2551	58-61	LUBRICATOR KIT - point opening cam, (retainer w/wick)	10.35
A0613	55-61	PIN / RETAINER - lower distributor gear	1.00
K3213	58-61	PLATE - distributor, that points & condenser mount to, (single point)	24.95
A2506	58-61	POINTS - distributor (replacement)	7.00
A2509	58-62	POINTS - distributor, Delco, NOS D106 W/logo	14.95
A2533	58-61	POINTS/CONDENSER KIT - NOS Delco, (A2509 & A2568)	19.95
A2514	58-61	REBUILD SERVICE - GM #1110946 distributor, includes new points, condenser, bushings/ tested	89.95
A2584	58-61	ROTOR - distributor	6.00
A2589	58-61	ROTOR - distributor, NOS, heavy black Bakelite, original Delco, D409	13.95
A0617	58-61	SCREW SET - Points (2 pc)	1.00
A2574	58-61	SHAFT - distributor, used, guaranteed	15.00

A2553	55-61	SHIM PACK - between housing & bottom gear (4 pc)	5.60
A2481	58-61	SLEEVE - distributor shaft head pin (underside)	2.50
A2554	58-61	SMALL PARTS KIT - distributor includes, grommets, nylon spacer, 4 screws, snap ring & roll pin (9pc)	7.80
A2477	58-61	TUNE-UP KIT - single point distributor / points, condenser, rotor & cap	23.00
A2580	58	VACUUM ADVANCE - all ho's, GM #1116118, w/PN, w/threaded vacuum line port, hexagon end, NOS	79.95
A2596	58	VACUUM ADVANCE - distributor w /threaded hex end, (replacement)	25.00
A2586	58-61	VACUUM ADVANCE - distributor	14.00
A2430	59	VACUUM ADVANCE - GM #1116148 for 1110946 distributor	79.95
A2429	60-61	VACUUM ADVANCE - GM #1116201 for 1110946 distributor / NOS	41.40
A2711	58-61	VACUUM ADVANCE RESTORATION - includes replating	49.95
A9917	55-61	WIRE - distributor to coil	9.00

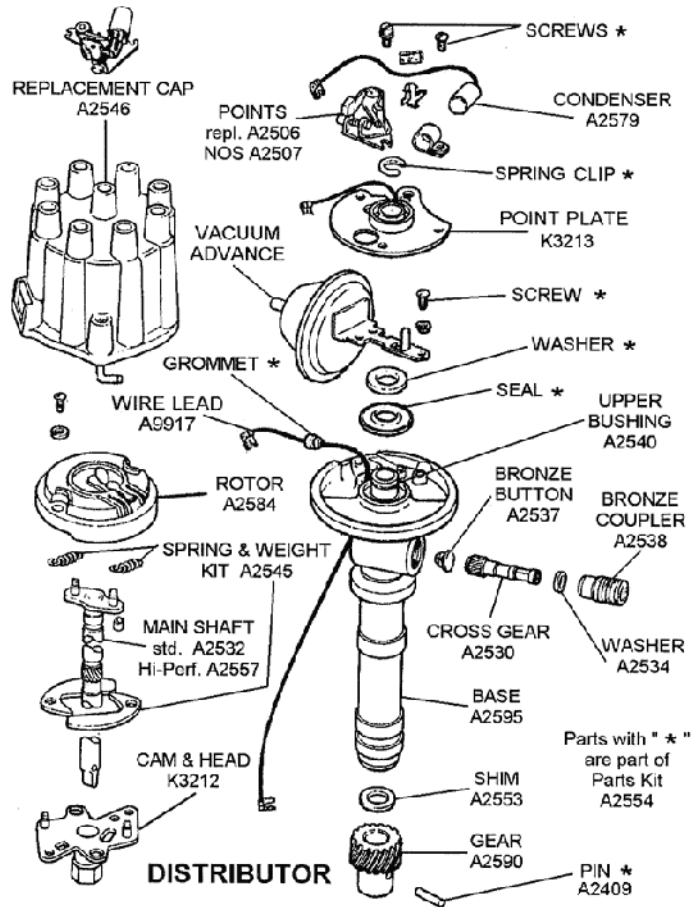
Distributor - 1962 Tach Drive Rebuilding Components

A2474	62	ADAPTER - distributor for tachometer cable, eliminates kinks in cable	69.95
-------	----	---	-------

Adapter A2474 eliminates premature failure of tach / speedo cables due to sharp bends. This 90-degree adapter offers a sensible solution to problems attaching tach / speedo cables in confined spaces, without affecting the accuracy of your gauges.

A2549	62	BRACKET - condenser	1.50
A2541	62	BUSHING - distributor main shaft, lower	10.40
A2540	62	BUSHING - distributor main shaft, upper, w/special notch	15.75
A2537	62	BUTTON - cross gear/bronze	5.00
A2410	62	BUTTON - cross gear/nylon	2.50

NOTE: A2537 and A2410 can only be used on distributors with a hole in the housing. Housings can be modified to upgrade.



K3212	62	CAM & HEAD - distributor shaft (point opening cam w/weight support plate)	32.95
B2512	62	CLAMP & BOLT - distributor hold-down	10.35
A2579	62	CONDENSER - distributor	4.65
A2568	62	CONDENSER - distributor, NOS Delco #1932004 w/logo	8.95
A2538	62	COUPLER - tach drive distributor cross gear, bronze	19.95
A2526	62	DISTRIBUTOR - rebuilt/exchange, your 1962	

A2522	62	tach drive, distributor139.95
		DISTRIBUTOR - tach drive, 250/300hp, new, single point, w/cap & rotor379.95
A2562	62	DISTRIBUTOR - tach drive, 250/300hp, single point (reconditioned, w/o exchange)279.95
A6659	62	DISTRIBUTOR - tach drive, 250/300hp, single point, with side oiler cap in body. 1962 only (reconditioned, w/o exchange)294.95
A2524	62	DISTRIBUTOR - tach drive, original, 340hp dual point, restored279.95
A2445	62	DISTRIBUTOR CAP - w/correct 'DELCO REMY PATENT PENDING' logo/as original/all w/single point63.95
A2546	62	DISTRIBUTOR CAP - distributor, single point, (replacement)13.00
A2543	62	DISTRIBUTOR CAP - 'DELCO REMY PATENT PENDING' LOGO w/o 'R' w/copper contacts, all w/dual points, 2 windows, F.I. & 62 hi-performance, Delco D324124.95
A0992	62	ELECTRONIC IGNITION CONVERSION SYSTEM Say goodbye to Point-Type Ignition... Without replacing distributor, modifying harness or compromising appearance! The Break Less SE ignition kit is designed to convert 1962 GM V8 distributors, originally equipped with breaker points and window-style distributor caps (single or dual point), to solid-state electronic ignition. Unlike competitive systems, this is a single wire system. No additional wires protrude from the distributor, only the single, original point wire. The result is a state-of-the-art ignition with a totally stock look. Includes step by step instructions. 3 year warranty. Made in USA. * Single wire operation. No Chance of mis-wiring your distributor and damaging the module. * Auto shut off feature. Hall Effect rotary-vane sensor * Over voltage protected * Operates down to 6 volts for cold weather starting. * Can be installed with distributor remaining in car. * Maintenance Free Legal for use on emission controlled vehicles We recommend use of your original factory wiring, window-type distributor and stock coil169.50
A2547	62	GASKET - distributor to intake2.95
A2565	62	GEAR & COUPLER KIT - incl. OEM cross gear, coupler, thrust washer & bronze button, (4 pc)52.95
A2590	62	GEAR - lower distributor drive19.95
A2530	62	GEAR - tach drive distributor cross gear29.95
A2581	62	GROMMET - distributor lead wire/rubber3.00
A2462	62	GROUND WIRE W/TERMINAL - distributor point plate3.95
A2564	62	HOUSING/BASE - distributor #1110985, dual point / used124.95
A2595	62	HOUSING/BASE - distributor #1110984, single point / used199.95
A2384	62	ID BAND - Delco Remy Embossed w/date and distributor part # as original30.25
A9917	62	LEAD WIRE - distributor to coil9.00
A2636	62	LUBRICANT - point opening cam3.95
A2551	62	LUBRICATOR KIT - point opening cam (retainer w/wick)10.35
A2559	62	MAIN SHAFT - tach drive distributor, hi-performance, 300 & 340HP59.95



DISTRIBUTOR MAIN SHAFT

A2532 250 HP
A2559 300-340 HP

A2532	62	MAIN SHAFT - tach drive distributor, standard, 250 & 300HP59.95
K3213	62	PLATE - distributor, that points & condenser mount to, (single point)24.95
A2506	62	POINTS - distributor (replacement)7.00
A2509	62	POINTS - distributor, Delco D106P w/logo, NOS (1 or 2 sets required, ea.)14.95
A2533	62	POINTS/CONDENSER KIT - NOS Delco (A2509 & A2568)19.95
A2412	62	REPAIR KIT - Hi-Perf / tach drive distributor 5pc, cross gear, hi perf main shaft, cross gear washer, coupler & button / 340-450hp ..99.95
A2413	62	REPAIR KIT - Standard / tach drive distributor 5pc, cross gear, standard main shaft, cross gear washer, coupler & button / 250-300hp ..99.95
A2437	62	REBUILD KIT/TACH DRIVE DISTRIBUTOR - coupler, cross gear, thrust washer & button / button may not be required, 4pc49.95
C2552	62	REBUILD KIT - tach drive distributor

A2409	62	(w/cross gear, bushings, Installation tools) 59.95
		ROLL PIN - lower distributor drive gear retainer1.50
A2584	62	ROTOR - distributor6.00
A2589	62	ROTOR - distributor, black, Bakelite, Delco Remy #D409, NOS/NEW13.95
A0617	62	SCREW SET - Points (2 pc)1.00
A2553	62	SHIM PACK - between housing & bottom gear, (4 pc.)5.60
A2481	62	SLEEVE - distributor shaft head pin (underside)2.50
A2554	62	SMALL PARTS KIT - distributor includes, grommets, nylon spacer, 4 screws, snap ring & roll pin (9pc)7.80
A2545	62	SPRING & WEIGHT KIT - (2 of each)14.95
A2477	62	TUNE-UP KIT - single point distributor / points, condenser, rotor & cap23.00
A2429	62	VACUUM ADVANCE - GM #1116201 for 250/300hp distributor 111098441.40
A2586	62	VACUUM ADVANCE - distributor14.00
A2711	62	VACUUM ADVANCE RESTORATION - includes replating49.95
A2534	62	WASHER - tach drive cross gear1.75
A8324	62	WRENCH - distributor loosening/adjusting tool14.95

Distributor Brushing Installation Tools & More

A2550	55-62	TOOL - distributor bushing installation9.25
A2555	62	TOOL - tap guide insert, set screw, tach drive distributor5.95
A2556	62	TOOL - threaded drill guide, tach drive distributor8.75

Ignition: Shielding Kits / Complete

1956-62 265/283/327 IGNITION SHIELDING KITS WITHOUT FUEL INJECTION

A5402	56-58E	SHIELDING KIT - w/o F.I.			
A5425	58L-59	SHIELDING KIT - w/o F.I.			
A5403	60	SHIELDING KIT - w/o F.I.			
A5405	61	SHIELDING KIT - w/o F.I.			
A5407	62	SHIELDING KIT - w/o F.I.			
A5406	56-60	SHIELD - ignition, top, w/o F.I.	1	1	1
A5408	61	SHIELD - ignition, top, w/o F.I.	1		
A5410	62	SHIELD - ignition, top, w/o F.I.	1		
A5429	56-58E	SHIELD - ignition, vertical, RH			1
A5434	58L-62	SHIELD - ignition, vertical, RH	1	1	1
A5430	58-59	SHIELD - ignition, vertical, LH			1
A5432	60-62	SHIELD - ignition, vertical, LH	1	1	1
A5438	56-61	SHIELD SET - lower, horizontal, LH & RH	1	1	1
A5439	62	SHIELD SET - lower, horizontal, LH & RH	1		
A5420	56-61	BOLT - top ignition shield, hex chrome	3	3	3
A5422	56-62	BRACKET - top ignition shield, LH	1	1	1
A5424	56-62	BRACKET - top ignition shield, RH w/o F.I. coil	1	1	1
A5436	56-62	BRACKET - lower ignition shield, LH	1	1	1
A5448	56-62	GROMMET - spark plug wire	4	4	4
A5423	56-62	LOCK WASHER SET	1	1	1
A5442	56-62	BRACKET - lower horizontal shield	4	4	4
A5446	56-62	WING NUT - ignition shield	6	6	6

A5402	56-58E	IGNITION SHIELDING KIT - all with carburetor(s) / 1x4 or 2x4 - for details see449.00
A5425	58L-59	IGNITION SHIELDING KIT - all with carburetor(s) / 1x4 or 2x4 - for details see

A5403	60	diagram at left	449.00
A5405	61	IGNITION SHIELDING KIT - all with carburetor(s) / 1x4 or 2x4 - for details see diagram at left	449.00
A5407	62	IGNITION SHIELDING KIT - all with carburetor(s) / 1x4 or 2x4 - for details see diagram at left	449.00

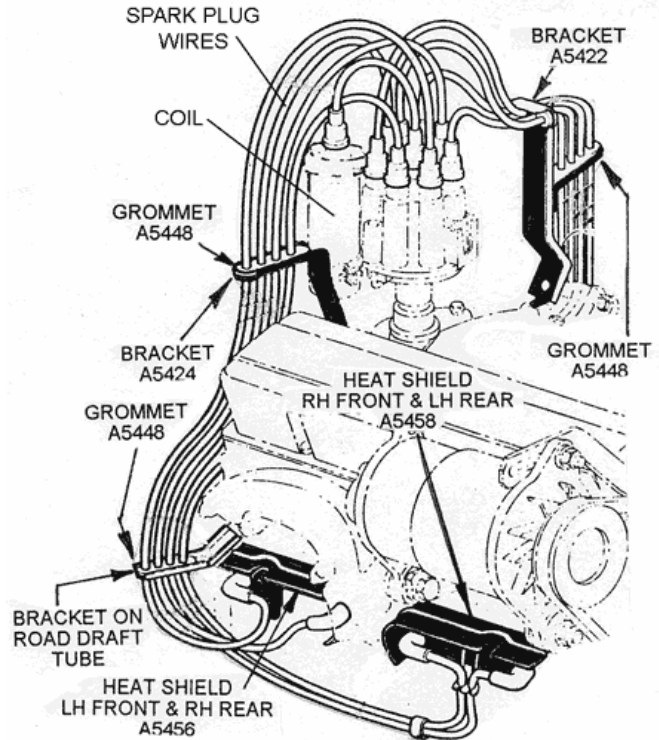
1957-62 283/327 IGNITION SHIELDING KITS WITH FUEL INJECTION

A5404	57	SHIELDING KIT - w/F.I.					
A5411	58E	SHIELDING KIT - w/F.I.					
A5431	58L-59	SHIELDING KIT - w/F.I.					
A5413	60	SHIELDING KIT - w/F.I.					
A5415	61	SHIELDING KIT - w/F.I.					
A5417	62	SHIELDING KIT - w/F.I.					
A5412	57	SHIELD - ignition, top w/F.I.					1
A5414	58-60	SHIELD - ignition, top w/F.I.	1	1	1		
A5416	61	SHIELD - ignition, top w/F.I.	1				
A5418	62	SHIELD - ignition, top w/F.I.	1				
A5429	57-58E	SHIELD - ignition, vertical, RH					1 1
A5434	58L-62	SHIELD - ignition, vertical, RH	1	1	1	1	
A5430	57-59	SHIELD - ignition, vertical, LH					1 1
A5432	60-62	SHIELD - ignition, vertical, LH	1	1	1	1	
A5438	57-61	SHIELD SET - lower, horiz., LH & RH	1	1	1	1	1
A5439	62	SHIELD SET - lower, horiz., LH & RH	1				
A5420	56-61	BOLT - top ignition shield, hex chrome	3	3	3	3	3
A5422	57-62	BRACKET - top ignition shield, LH	1	1	1	1	1
A5426	57-62	BRACKET - top ignition shield, RH w/F.I. coil	1				
A5436	57-62	BRACKET - lower ignition shield, LH	1	1	1	1	1
A5448	57-62	GROMMET - spark plug wire	4	4	4	4	4
A5423	57-62	LOCK WASHER SET	1	1	1	1	1
A5442	57-62	BRACKET - lower, horizontal shield	4	4	4	4	4
A5446	57-62	WING NUT - ignition shield	6	6	6	6	6
A5404	57	IGNITION SHIELDING KIT - all with fuel injection - for details see diagram at left	489.00				
A5411	58E	IGNITION SHIELDING KIT - all with fuel injection - for details see diagram at left	489.00				
A5431	58L-59	IGNITION SHIELDING KIT - all with fuel injection - for details see diagram at left	489.00				
A5413	60	IGNITION SHIELDING KIT - all with fuel injection - for details see diagram at left	489.00				
A5415	61	IGNITION SHIELDING KIT - all with fuel injection - for details see diagram at left	489.00				
A5417	62	IGNITION SHIELDING KIT - all with fuel injection - for details see diagram at left	489.00				

Ignition: Shielding - Individual Components

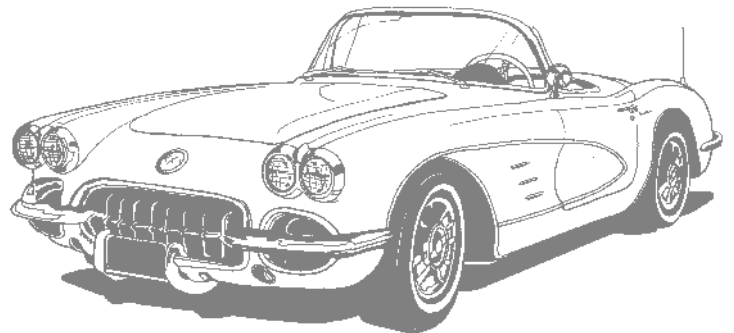
A5420	56-61	BOLT - top ignition shield hex, chrome (3 req) (ea)	1.75
A0626	62	BOLT - top ignition shield hex, chrome (3 req) (ea)	1.80
A5449	57-62	BOLT SET - 4 heat shields above spark plugs 6pc	5.10
A5427	56-57	BRACKET - coil, figure '8'	94.75
A5424	56-62	BRACKET - coil, RH w/shield support, w/o FI ..	26.95
A5428	57-62	BRACKET - coil, w/F.I.	19.25
A5436	56-62	BRACKET - lower horizontal ignition shielding, LH	15.10
A5442	56-62	BRACKET - lower ignition shields (4	

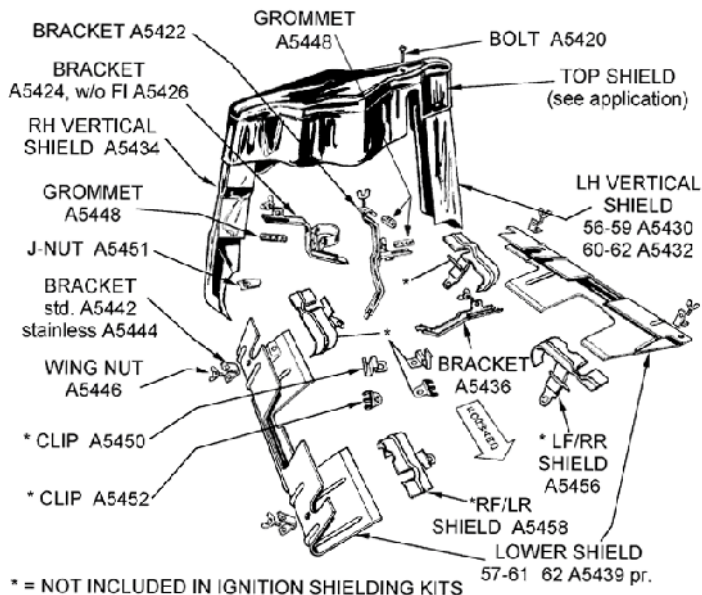
A5422	56-62	BRACKET - top ignition shield, LH	3.65
A5426	57-62	BRACKET - top ignition shield, RH, w/F.I.	17.95
A5444	56-62	BRACKET SET- spark plug shields (standard steel) (4pc)	19.50
A5452	56-62	CLIP/SUPPORT - spark plug wire, on block (2 req) (ea)	5.70
A5450	56-62	CLIP/SUPPORT - spark plug wire, on oil pan (2 req) (ea)	4.20
A5448	56-62	GROMMET - spark plug wires, oval (ea)	2.50
A5419	56-57	GROMMET SET - spark plug 'U' heat shields (8 pc)	6.40
A5423	56-62	LOCK WASHER SET - ignition shielding wing nuts, (4 pc)	1.00
A5451	56-62	NUT - ignition shield, 'J' type (ea)	1.25
A5401	56-62	SCREW & WASHER KIT - coil bracket (2 pc)	1.85



SPARK PLUG WIRE SHIELDS and BRACKETS

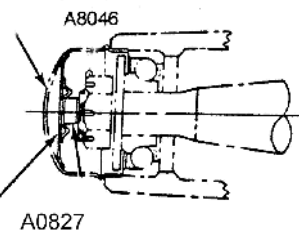
A5456	57-62	SHIELD - heat, spark plug, LH front & RH rear	12.00
A5458	57-62	SHIELD - heat, spark plug, RH front & LH rear	12.00
A5412	57	SHIELD - ignition, top, w/F.I.	239.00
A5414	58-60	SHIELD - ignition, top, w/F.I.	239.00
A5416	61	SHIELD - ignition, top, w/F.I.	239.00
A5418	62	SHIELD - ignition, top, w/F.I.	230.00
A5406	56-60	SHIELD - ignition, top, w/o F.I.	214.35
A5408	61	SHIELD - ignition, top, w/o F.I.	199.00
A5410	62	SHIELD - ignition, top, w/o F.I.	199.00





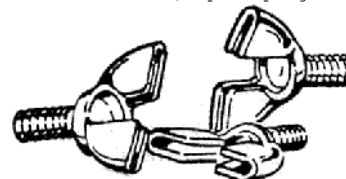
- A5430 56-59 SHIELD - ignition, vertical LH (stamped steel)48.30
- A5432 60-62 SHIELD - ignition, vertical LH (stamped steel)32.60
- A5429 56-58E SHIELD - ignition, vertical RH, w/'J' nut, round lower mounting hole49.50
- A5434 56-62 SHIELD - ignition, vertical RH, w/'J' nut, oval lower mounting hole54.00

GREASE CAP



STATIC COLLECTOR

- A0827 56-62 STATIC COLLECTOR - front wheels under grease cap (2 req ea)28.00
- A5421 62 SUPPORT - RH lower, spark plug wire w/PCV ...17.25



WING NUTS A5446

- A5446 56-62 WING NUT - ignition shield (ea)1.25

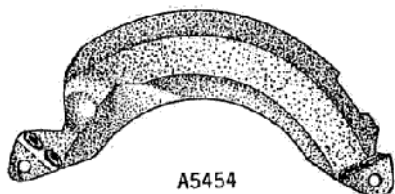
Ignition: Tune Up Kits

- A0980 53-55 TUNE UP KIT - 6 cylinder87.95
- A0981 55-57 TUNE UP KIT - 8 cylinder124.00
- A0982 58-62 TUNE UP KIT - 8 cylinder, Dual point distributor126.95
- A0639 58-61 TUNE UP KIT - 8 cylinder, dual point w/o F.I.105.95
- A0638 58-62 TUNE UP KIT - 8 cylinder, single point distributor94.00

SPARK PLUG WIRE HEAT SHIELD KITS

A5409	56-57 HEAT SHIELD KIT		
A5443	58-62 HEAT SHIELD KIT		
A5450	56-62 CLIP - spark plug wire, on pan	2	2
A5452	56-62 CLIP - spark plug wire, on block	2	2
A5458	56-62 SHIELD - spark plug wire	2	2
A5456	56-62 SHIELD - spark plug wire	2	2
A5454	56-57 GUIDES - block, lower		1

- A5409 56-57 SHIELD KIT - heat, spark plug wire108.80
- A5443 58-62 SHIELD KIT - heat, spark plug wire84.60
- A5453 53-55 SHIELD KIT - ignition, 6 cyl. upper & lower, metal w/correct stress lines (as original) & brackets1,249.00
- A5437 55 SHIELD KIT - V8CALL
- A0844 57-62 SHIELD SET - heat, above spark plugs, (4 pc)39.95
- A5438 57-61 SHIELD SET - spark plug, horizontal LH & RH, lower114.00
- A5439 62 SHIELD SET - spark plug, horizontal LH & RH, lower114.00



1956-57 SPARK PLUG WIRE GUIDE

- A5454 56-57 SHIELD/GUIDE - lower spark plug wires to block, 'U' shaped with grommets (pr)35.95

Spark Plug Wire Sets & Related

- Correct spark plug wires contain the correct factory script and dates as well as the correct spark plug boots. Order by date (example: 1968 cars built September 1967 through February 1968 use 3Q67 wires; cars built March 1968 through August 1968 use 1Q68 wires). All prices are for a complete set of spark plug wires.
- A5452 56-62 CLIP/SUPPORT - spark plug wire, on block (2 req) (ea)5.70
 - A5450 56-62 CLIP/SUPPORT - spark plug wire, on oil pan (2 req) (ea)4.20
 - G5112 56-62 SEALANT - Delco, spark plug boots to plugs ...5.05
 - A4402 55 SPARK PLUG WIRE SET - V8 w/metal braiding ...160.00
 - A4403 56-57 SPARK PLUG WIRE SET - all w/o F.I.75.00
 - A4404 57 SPARK PLUG WIRE SET - all w/F.I.75.00
 - A4406 58 SPARK PLUG WIRE SET - all w/F.I.75.00
 - A4405 58 SPARK PLUG WIRE SET - all w/o F.I.75.00
 - A4407 59-61E SPARK PLUG WIRE SET - all75.00
 - A4408 61L SPARK PLUG WIRE SET - all (1Q61)75.00
 - A4412 62 SPARK PLUG WIRE SET - all (1Q62)75.00
 - A4410 62 SPARK PLUG WIRE SET - all (3Q61)75.00
 - A4409 56-62 SPARK PLUG WIRE SET - exact fit replacement . 48.30

Spark Plugs, AC NOS & Replacements

- A0648 53-62 DIELECTRIC GREASE- promotes contact & ease of removal of spark plug boot4.10
- C8301 53-62 GAUGE SET - spark plug gap adjuster2.95
- A8302 53-62 PULLER - spark plug boot & cable3.00
- A8317 53-62 REPAIR KIT - spark plug threads in head (14 mm)11.95
- A0622 53-55 SPARK PLUG SET - (current replacement) (6pc)19.95
- A0623 55-57 SPARK PLUG SET - (current replacement) (8pc)19.95
- A0624 58-62 SPARK PLUG SET - (current replacement) (8pc)19.95

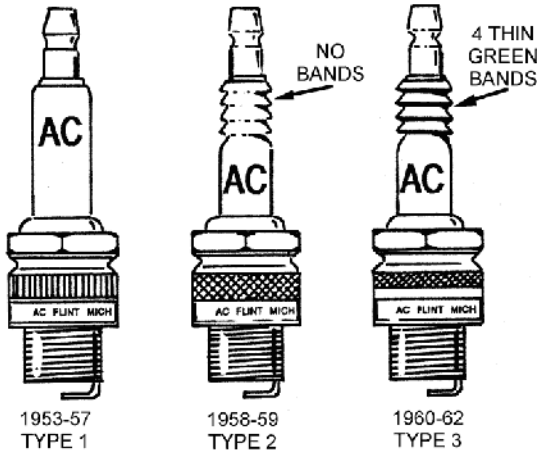
DO YOU HAVE A TECHNICAL QUESTION?

Call our technical department at 708-458-2500 for assistance.



VISIT US ON THE WEB AT
www.ChicagoCorvette.net

NOS ORIGINAL SPARK PLUG SETS



- A4480 53-55 SPARK PLUG SET - NOS, AC 43-5, type 1, (6 pc)60.00
 - A4411 55-62 SPARK PLUG SET - NOS, AC 44, replacement (8 pc)59.95
 - A4400 55-62 SPARK PLUG SET - NOS, AC R44, replacement (8 pc)39.95
 - A4476 56-57 SPARK PLUG SET - NOS, AC C-43, std. equip., type 1 (8 pc)CALL
 - A4474 60-62 SPARK PLUG SET - NOS, AC 45, city use, type 3 (8 pc)40.00
- NOTE:** N.O.S. plugs are subject to availability. Some may show slight signs of oxidation due to age. AC 45 & 46 plugs run progressively hotter than AC 44, and are ideal for cars that are infrequently driven.
- A4475 60-62 SPARK PLUG SET - NOS, AC 46, city use, type 3 (8 pc)40.00

Vacuum Advance Related Components

- A3332 58 FITTINGS & LINE - vacuum advance8.75
- B2565 58-62 HOSE - vacuum advance, w/white strip, 7'3.50
- A3774 53-54 LINE - vacuum advance, all 6 cylinder35.50
- A3706 59-62 STUD (hollow) KIT - vacuum advance mounting & carburetor mounting w/230/250hp, w/nut (1 req.)11.75
- A3787 62 STUD (hollow) KIT - vacuum advance, carburetor mounting w/300hp, left rear to corner location w/nut (1 req.)10.75
- A3776 58-62 STUD - hose & nut kit, vacuum advance, 210/230hp w/fitting14.25

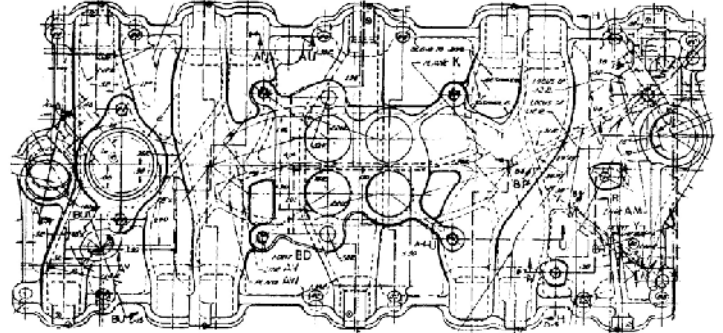
Intake Manifold Water Outlet / Thermostat Housing & Related

- A2039 56-62 BOLT SET - thermostat housing, 'TR' head mark, all w/o special hi-performance (for A2034)6.70
- A2003 56-62 GASKET - thermostat housing/water outlet2.25
- A2034 55-62 HOUSING - thermostat, 1x4 intakes, cast iron34.45
- A2011 55-57 HOUSING - thermostat, all w/dual quads or F.I., cast iron intakes70.85
- A1998 55-62 HOUSING - thermostat, GM #3711268, all 1x4 intakes, cast iron, original restored79.95
- A2013 55-62 HOUSING - thermostat, GM #3711268, all 1x4 intakes, cast iron56.35
- A2035 56-62 HOUSING - thermostat, aluminum, all w/aluminum intake, correctly numbered (as original)65.00
- A2038 56-62 STUD SET - 2x4, F.I. thermostat housing (stainless steel) (pr)12.70
- A2025 53-62 THERMOSTAT - 160 degree6.95
- A2037 53-62 THERMOSTAT - 180 degree6.95
- A2000 53-62 THERMOSTAT - 195 degree6.95

Intake Manifolds & Related

- A5518 55-62 BOLT SET - intake manifold, 'AP' head mark (12 pc)12.65
- A2039 56-62 BOLT SET - thermostat housing, 'TR' head mark, all w/o special hi-performance (for A2034) 6.70
- A5156 59-62 FITTING - heater hose, on intake manifold, 1/2' N.P.T.12.95
- A5162 56-62 FITTING - heater hose, on intake manifold, 3/8' N.P.T.9.80
- A5520 56-62 FITTING/ADAPTER - heater hose, 1/2' to 3/8' N.P.T.5.60
- A5522 61-62 FITTING/ADAPTER - heater hose, 3/4' to 1/2' N.P.T.7.00
- A2003 56-62 GASKET - thermostat housing/water outlet2.25
- A5516 55-62 GASKET SET - intake manifold21.95
- A5500 56-62 GASKET SET - intake manifold (except 60-62

- w/F.I.), correct 'kormetal' material color & round tab30.35
- A5501 57-62 GASKET SET - intake manifold to heads, w/F.I., correct 'kormetal' w/dark gray color & round tab25.00
- A3626 53-54 LINE - vacuum, pump to intake manifold40.95
- A5509 53-54 MANIFOLD - intake, 3x1, aluminum695.00

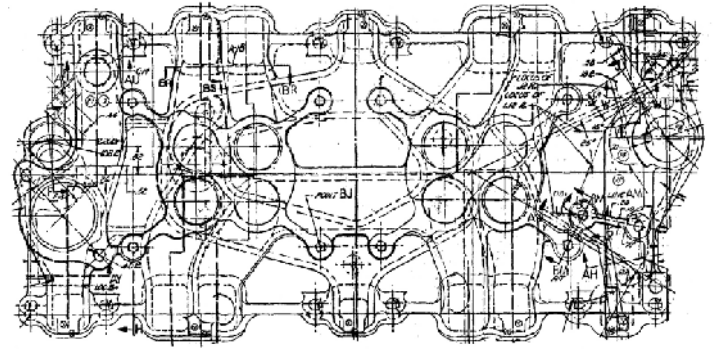


INTAKE MANIFOLD - A5502

- A5502 55 MANIFOLD - intake, 1x4, #3711348, dated, call for available dates275.00
- A5504 56 MANIFOLD - intake, 1x4, #3735448/3837109, dated, call for available dates175.00
- A5506 57 MANIFOLD - intake, 1x4, #3731398, dated, call for available dates185.00
- A5508 58-61 MANIFOLD - intake, 1x4, #3746829, 230hp, dated, call for available dates195.00
- A5510 62 MANIFOLD - intake, 1x4, #3783244, 250hp, dated, call for available dates165.00
- A5514 62 MANIFOLD - intake, 1x4, #3795397, 340hp, aluminum895.00

NOTE: 1955-62 cast iron intake manifolds are dated. Most dates available, call. Aluminum intakes are also dated but the date is located under the oil galley splash pan.

- A5512 62 MANIFOLD - intake, 1x4, #3799349, 300hp, dated, call for available dates275.00



INTAKE MANIFOLD - A5527

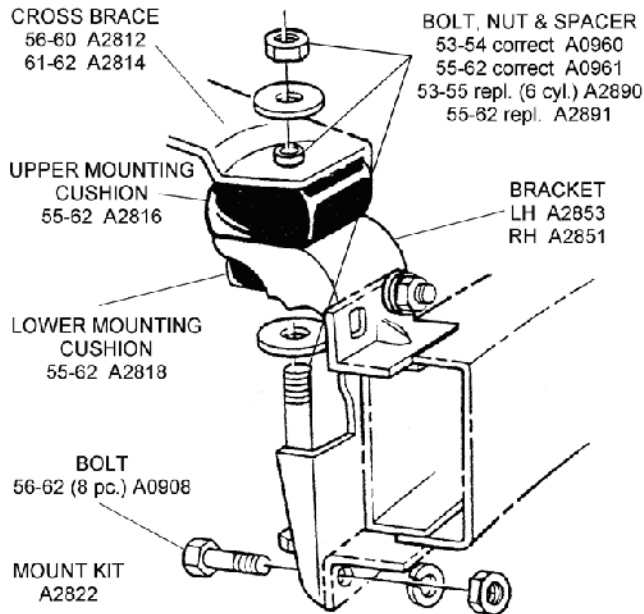
- A5527 56E MANIFOLD - intake, 2x4, #3728725, original, reconditioned595.00
- A5528 56L MANIFOLD - intake, 2x4, #3731394, original, reconditioned425.00
- A5526 57-61 MANIFOLD - intake, 2x4, #3739653, original, reconditioned425.00
- A5503 56-61 PAN - oil splash- 2x4 intake/ faces oil gallery, w/ installation rivets39.95
- A9107 59-62 PLUG - intake manifold and water pump - for heater delete cars5.85
- A2038 56-62 STUD SET - 2x4, F.I. thermostat housing (stainless steel) (pr)12.70
- A2025 53-62 THERMOSTAT - 160 degree6.95
- A2037 53-62 THERMOSTAT - 180 degree6.95
- A2000 53-62 THERMOSTAT - 195 degree6.95
- A5525 56-62 WASHER SET - aluminum intake manifold bolts, stainless steel8.35

NOTE: These thin stainless steel washers (A5525) reduce intake manifold damage caused by bolt heads digging into manifold. Not originally used.

- A5529 53-55 WASHER SET - intake & exhaust manifolds, (4 large, 2 small)124.00

Motor Mounts

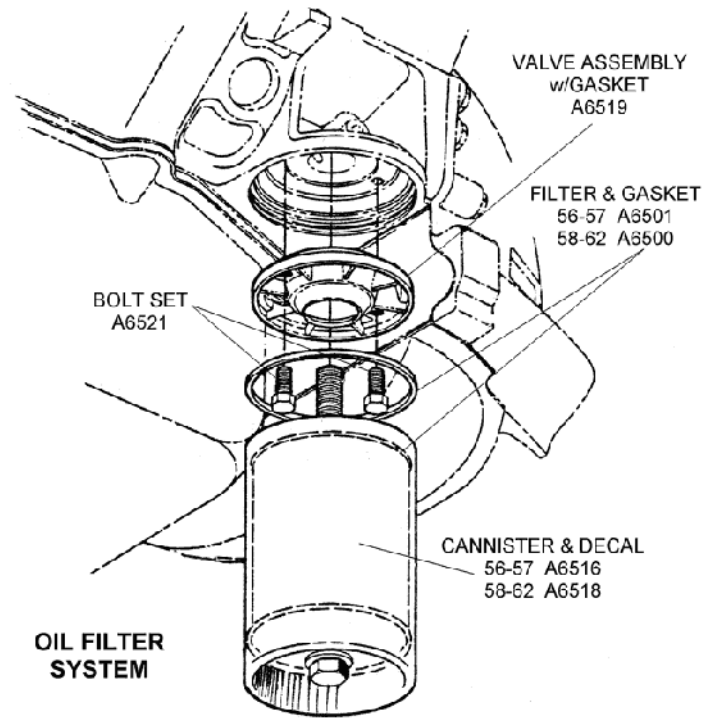
- A0908 56-62 BOLT SET - engine mounting brackets to frame, 'TR' HM (10 pc)13.45
- A0961 55-62 BOLT, NUT & SPACER KIT - 'WB-2C' head mark 8 cylinder28.50
- A0960 53-55 BOLT, NUT & SPACER KIT - 'WB-2C' head mark, 6 cyl28.50
- A2890 53-55 BOLT, NUT & SPACER KIT - motor mount, (6 cyl, generic)21.00
- A2891 55-62 BOLT, NUT & SPACER KIT - front motor mount (generic)16.65



- A2853 55-62 BRACKET - engine mount on frame, front, LH .169.95
- A2851 55-62 BRACKET - engine mount on frame, front, RH .169.95
- A2857 55-58E CROSS BRACE - motor mount, front, w/o notch for access to freeze plug149.00
- A2812 58L-60 CROSS BRACE - motor mount, front102.95
- A2814 61-62 CROSS BRACE - motor mount, front, w/bypass notch88.00
- A2818 55-62 MOTOR MOUNT - engine, front lower, rubber, (ea)14.95
- A2816 55-62 MOTOR MOUNT CUSHION KIT - engine, 2 UPPER AND 2 LOWER CUSHIONS / w/correct part numbers cast into rubber & parting seam55.25
- A2822 56-62 MOUNT MOUNT CUSHION KIT W/FASTNERS - engine, front/ 2 upper & 2 lower cushions w/bolt & spacer kit / cushions have the correct part numbers on them along w/mold seam56.75

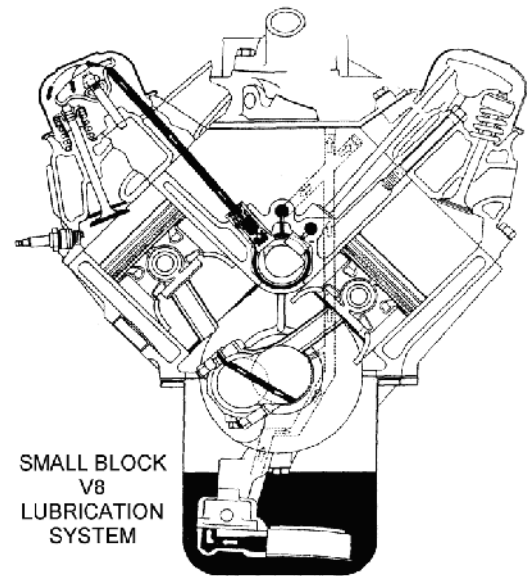
Oil System

- A6543 60-62 BAFFLE - oil pan, all w/6 quart oil pan34.50
- A6530 56-62 BOLT - w/star washer oil pan to block 1/4x20x3/8 'L' head mark1.00
- A6521 56-62 BOLT SET - oil filter bypass valve 'Delta' head mark, (2 pc)4.00
- A6533 56-62 BOLT SET - oil pan, 265/283, 18 pc)12.50
- A6545 56-62 CANISTER - oil breather/crank case vent, in lifter galley, (recond.)39.00
- A6516 56-57 CANISTER - oil filter, w/AC decal (PF131) .103.95
- A6518 58-62 CANISTER - oil filter, w/AC decal (PF141) .96.00
- A6502 56L-58 CAP - oil, vented, w/hydraulic lifter48.00
- A6503 56-58 CAP - oil, non-vented w/solid lifter & hi-performance, (also 1956 thru serial #3500) 42.25
- A6504 59-61 CAP - oil, vented, 230/250hp, (cadmium finish)42.25
- A6505 59-61 CAP - oil, non-vented, 270/315hp, (cadmium finish)42.25
- A650661L-62E CAP - oil, vented w/hydraulic lifter, oil/AC, (cadmium finish)36.25
- A650761L-62E CAP - oil, non-vented w/solid lifter, oil/AC, (cadmium finish)38.00
- A6508 62 CAP - oil, vented, chrome, oil/AC, 250/300hp, chrome54.30
- A6509 62 CAP - oil, non-vented, chrome, oil/AC, 340/360hp, chrome54.30
- G6500 53-62 CLEANER - concrete degreaser, removes oil & grease stains from concrete driveway & garage floors, (64 oz. bottle)6.95
- A6539 57-62 CONVERSION KIT - spin on oil filter kit29.95
- A6514 56-62 DIP STICK - engine oil20.60



OIL FILTER SYSTEM

- A6501 56-57 FILTER - engine oil8.95
- A6500 58-62 FILTER - engine oil8.95
- C6503 57-62 FILTER - oil, PF25 (spin-on replacement)16.95
- A6540 56-62 FITTING - oil pressure line, 1/8 x 1/8 N.P.T.3.00
- A6511 56-62 GASKET - oil filter bypass valve4.25
- A6532 57-62 GASKET KIT - oil pan, 283/32717.95
- A0651 53-62 GASKET- oil pan drain plug2.15
- A4712 56-62 GROMMET - oil pressure line, 4 holes5.95
- A0635 53-55 LINE KIT - Block to oil gauge, 6 cylinder ...12.95
- A6527 56-62 LINE KIT - oil, block to oil gauge/copper lines12.00
- A6528 57-62 LINE KIT - oil, F.I. distributor, used w/A652724.00



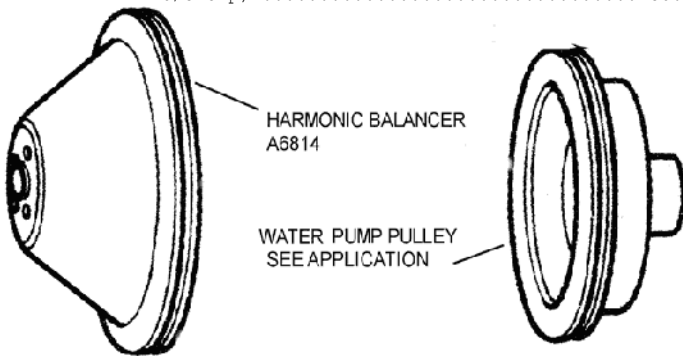
SMALL BLOCK V8 LUBRICATION SYSTEM

- A6542 56 PAN - engine oil77.55
- A6520 57-62 PAN - engine oil, 6 quart w/baffle / original595.00
- B0433 56L-62 PAN - replacement / non corvette69.95
- A6536 56-62 PLUG - oil drain, in oil pan6.25
- B6523 57-62 PLUG - oil drain, magnetic5.95
- A6544 62 STUD - oil pan baffle (5 req) (ea)17.95
- A0636 53-55 TUBE - oil dipstick, 6 cylinder15.95
- A6512 57-62 TUBE - oil dipstick13.80
- A6546 57-62 TUBE - oil dipstick, chrome, (w/dipstick) ...12.95
- A6538 56-62 TUBE - oil dipstick, lower, in block13.95
- A6510 57-62 TUBE - oil fill21.70
- A6519 56-62 VALVE - oil filter by-pass w/gasket (mounts to block)35.75



Pulleys & Related

A0619	62	BEARING - idler pulley	31.00
A6829	62	BOLT & WASHER KIT - idler pulley mounting	2.00
A6827	60-62	BOLT SET - pulley to balancer, 'E' head mark (3 pc)	9.15
A6896	53-54	HARMONIC BALANCER & PULLEY - 6 cylinder, reconditioned	179.95
A6801	55-57	HARMONIC BALANCER w/PULLEY	190.00
A6898	59-61	HARMONIC BALANCER - crankshaft, (all 270/315hp)	230.00



A6814	56-58E	HARMONIC BALANCER - w/special deep groove pulley riveted on (exch.) 56 240hp, 57 245-270hp, 58E 230-270E	325.85
A6811	55-62	PULLEY - balancer, single groove, w/FI & hl cam, GM repl)	53.50
A6816	57-58E	PULLEY - balancer, w/F.I. & HL cam #991, bolt-on	105.00
A6818	58-62	PULLEY - balancer, #328	217.70
A6822	62	PULLEY - balancer, 340hp/F.I., 2 groove #987, correct	104.65
A6820	62	PULLEY - balancer, w/sp. hi-perf. & F.I., 2 groove	58.00
A6891	53-55	PULLEY - generator, cast iron w/fan, 6 cyl ..	295.00
A6890	53-55	PULLEY - generator, cast iron, w/o fan, 6 cyl	239.00
A6897	55-57	PULLEY - generator, (55 all), (56 195/225hp)	34.95
A0403	56-57	PULLEY - generator 3 5/8' diameter, deep groove	89.95
A6804	58-62	PULLEY - generator 3 5/8' w/offset exc. F.I ..	124.95
A6802	58-62	PULLEY - generator 4 1/8' F.I./spec HI perf w/HL cam	128.90
A6824	62	PULLEY - idler, 340/360hp	140.85
A6805	53-54	PULLEY - water pump, 6 cylinder	84.00
A6815	55-57	PULLEY - water pump, 55 all, 56 195/225hp, 57 220hp	68.00
A6809	55-62	PULLEY - water pump, single groove	84.95
A6806	56-58E	PULLEY - water pump, stepped #974	74.00

NOTE: Early 1958 production with RH Hood Support used 56-58E style water pump and crankshaft pulleys.

A6808	58-62	PULLEY - water pump, #816, (except 62 hi-performance)	86.00
A6812	62	PULLEY - water pump, 327 2 deep grooves 7 1/8' diameter, # 3770245 / all w/idle pulley ..	159.00
A6828	62	PULLEY - water pump, 340/360hp, 2 groove ..	88.40
A6810	58-62	REINFORCEMENT - water pump pulley	6.95
A6826	62	STUD - idler pulley bracket mount	19.35

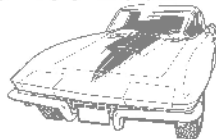
ORDER BY PHONE:

1-800-872-2446



ORDER BY FAX:

708-458-2662



TECHNICAL QUESTIONS:

708-458-2500



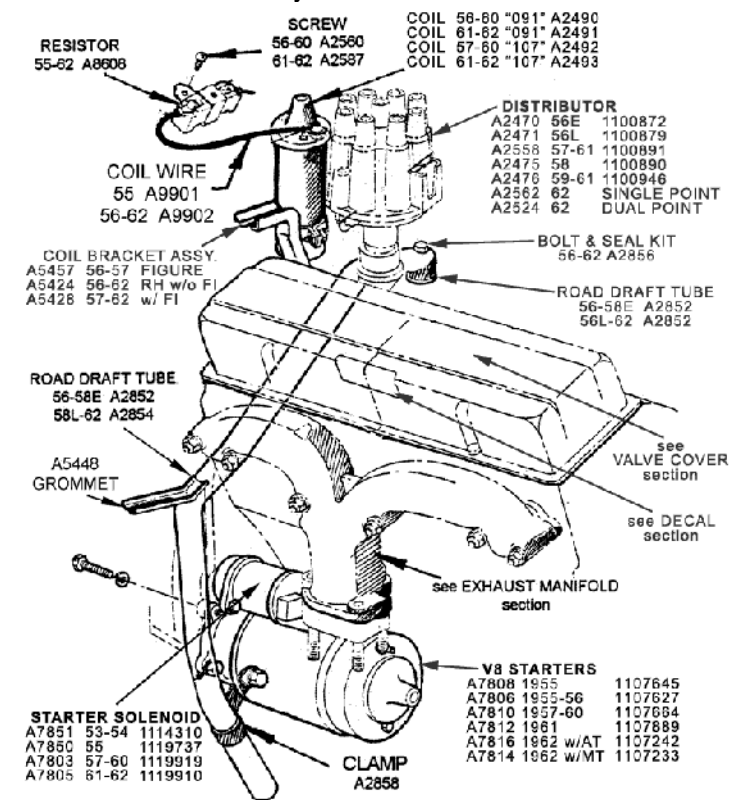
CUSTOMER SERVICE:

708-458-6577

QUESTIONS ABOUT YOUR ORDER:

708-458-2500

Road Draft / Crankcase Vent System



A2878	62	ADAPTER FITTING - 90 degree for PVC, (California)	4.50
A2856	56-62	BOLT & SEAL KIT - road draft/crankcase vent tube	4.25
A2858	58-62	CLAMP - lower end road draft tube	13.00
A2876	62	PVC VALVE - replacement, (California)	16.00
A2385	62	TAG - CV590, PCV valve, w/closed vent system, (California)	4.95
A2859	62	TUBE - crankcase vent, (California emissions only)	34.95
A2852	56-58E	TUBE - road draft	105.10
A2854	58L-62	TUBE - road draft	102.95

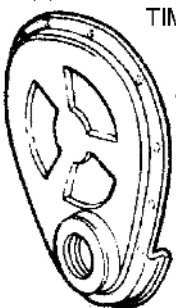
Starters / Original - Remanufactured & Related

B0437	57-62	BOLT SET - starter brace 2pc	6.25
A0634	56-62	BOLT SET - starter mounting (3pc)	5.45
A7860	53-56	BOOT - starter solenoid/rubber	14.00
A7818	57-62	BRACE - starter motor, (except 1962 w/power glide)	14.50
A7875	62	BRACE - starter motor, (w/power glide)	13.00
A7817	57-62	CAP - starter solenoid w'/Delco made in USA' logo/NOS	9.95
A2386	53-56	ID TAG - red metal, stamped with correct part number and date 'as original' (w/rivets) ..	29.75
A0631	53-62	NUT & WASHER SET - starter solenoid terminals	2.10
G0114	53-62	PAINT - cast iron blast, for starter nose, 12oz aerosol can	6.50
G5025	53-62	PAINT - gloss black, for starter case, 12oz aerosol can	6.50
A7811	57-62	REBUILD KIT - starter, includes brushes, bushings, washers, snap rings & starter drive ..	19.95
A7801	53-62	REMANUFACTURING SERVICE - of your starter unit w/new brushes, starter drive & solenoid / warranty	89.95
A7800	53-62	RESTORATION - of your original starter unit, includes: disassembly & cleaning, field inspection & repair, reconditioned armature, new starter drive, solenoid & bushings, assembly & outer case detailing/testing	99.95
A2527	53-56	RIVET SET - Delco starter tag, (pr)	2.00
A7851	53-54	SOLENOID - starter, GM #1114310, NOS	CALL
A7850	55	SOLENOID - starter, GM #1119767, NOS	79.95
A7803	57-60	SOLENOID - starter, GM #1119919, original restored with correct Bakelite cap w/Delco logo ..	89.95
A7805	61-62	SOLENOID - starter, GM #1119910, original restored with correct Bakelite cap w/Delco logo ..	89.95
A7820	55-56	SOLENOID - starter, generic replacement	38.95
A7821	57-62	SOLENOID - starter, generic replacement	38.95
A7813	57-62	STARTER - correct 3 hole nose generic replacement, remanufactured w/new solenoid ..	99.95

A7802 53-54E	STARTER - w/new solenoid, #1107109299.95
A7804 54L-55	STARTER - w/new solenoid, 6 cylinder, #1110835299.95
A7808 55	STARTER - w/new solenoid, #1107645, restored299.95
A7806 56	STARTER - w/new solenoid, #1107627, restored299.95
NOTE: A7802, A7804 and A7806 starters have their part number and date stamped on a red metal ID tag (A2386). 1957-62 starters have their parts number and date stamped on the case.		
A7810 57-60	STARTER - w/new solenoid, all engines, #1107664190.00
A7812 61	STARTER - w/new solenoid, all engines, #1107889190.00
A7816 62	STARTER - w/new solenoid, automatic transmission #1107242259.95
A7814 62	STARTER - w/new solenoid, manual transmission #1107233 - original - call on date availabilityCALL

Timing Chain Cover & Related

A2895 55-62	BOLT SET - timing chain cover, 'L' head mark bolts w/sems washers w/special Star washers, (10 bolts & 10 washers)7.85
A2883 55-62	COVER - timing chain (62 w/o 8' balancer) (reconditioned)74.50



TIMING CHAIN COVER

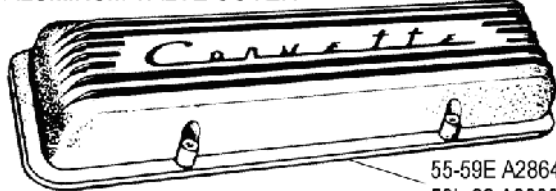
A2860 62 HP
A2883 55-62 EXCEPT HP

A2860 62	COVER - timing chain with 8 inch balancer, special hi-perf119.95
A0632 53-62	DOWEL PIN SET - timing chain cover, installs in lock(2pc)3.15
A2861 55-62	GASKET SET - timing chain cover, 265/28316.50
A6541 55-59	SCREW SET - timing chain cover - pan head screws w/special washers (10 screws & 10 washers)6.90
A2862 62	TAB - timing cover, 340/360hp, 8' balancer20.20

Valve Covers

A0633 53-55	BOLT & REINFORCEMENT SET - valve cover, 6 cylinder (8pc)7.50
A2868 56-59E	BOLT SET - valve covers, aluminum (8 pc)3.95
A2870 59L-62	BOLT SET - valve covers, aluminum (8 pc)3.95
A2872 55-62	BOLT SET - valve covers, steel (8 pc)17.95
A2004 56-60E	BRACKET SET - temperature wire on valve cover (pr)10.60
A2006 60L-62	BRACKET SET - temperature wire on valve cover (pr)8.00
A2867 56-62	GASKET SET - valve covers, cork (pr)14.00
A2874 55-62	REINFORCEMENT SET - steel valve cover bolts (8 pc)6.95
A2865 56-57	STENCIL - valve cover, for painting the 'Chevrolet' script on your valve covers (ea)	13.60
A2864 55-59E	VALVE COVER - aluminum, staggered holes, 7 fin, this design was first used in 195972.95
A2849 56-57E	VALVE COVER - aluminum, 9 fin w/low relief 'Corvette' script, used, reconditioned295.00
A2855 57L-58	VALVE COVER - aluminum, 7 fin staggered holes, low relief 'Corvette', used, reconditioned154.95
A289958L-59E	VALVE COVER - aluminum, staggered holes, high relief 'Corvette', used, reconditioned89.95
A3321 59L-62	VALVE COVER - aluminum w/o casting seam thru 'O' / new169.95

ALUMINUM VALVE COVER

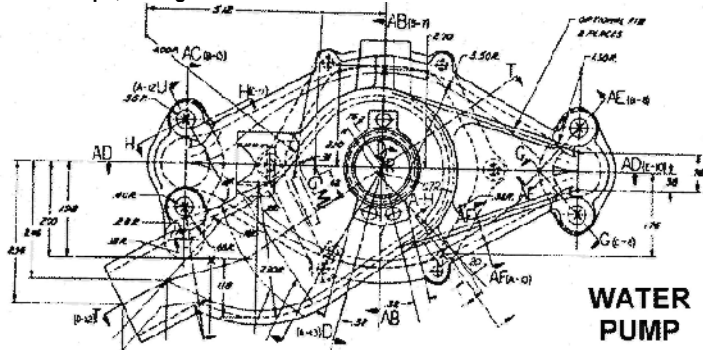


55-59E A2864
59L-62 A2866

A2866 59L-62	VALVE COVER - aluminum, original, w/casting seams thru 'O' (ea)77.95
--------------	---	------------

A2881 59L-62	VALVE COVER - aluminum, original, w/o casting seam thru 'O', (as original) used, reconditioned, nice original (each)174.95
A2877 56-59E	VALVE COVER SET - steel, 'Chevrolet', staggered holes, used unrestored, (pr)135.00
A2833 59L-61	VALVE COVER SET - steel, 'Chevrolet', straight across holes, used unrestored (pr)	135.00
A2829 62	VALVE COVER SET - steel, 250/300hp, restored (pr)135.00

Water Pumps, Fittings & Related



WATER PUMP

A5107 55-62	BOLT & STUD KIT - water pump mounting, 'TR' head mark (4 pc)13.75
A5131 55-62	BOLT - water pump, 3/8'x16x1 3/4', 'TR' head mark (3 req), (ea)2.95
A9150 56-62	BOLT - water pump, lower RH, 'TR' head mark (1 req.)4.35
A5109 58-62	BOLT KIT - water pump attaching (4 pc)16.25
A5152 61-62	FITTING - top water pump fitting, 90 degree19.05
A5154 58L-62	FITTING - water pump, lower, curved, 1/2' N.P.T.16.85
A5153 55-58E	FITTING - water pump, lower, curved, 5/8'18.50
G5101	FORM-A-GASKET - Permatex no. 2 sealant, non-hardening sealant for use w/cut gaskets, 1.5 oz. tube4.10
G5100	FORM-A-GASKET - Permatex no.1 sealant, hard setting sealant for rigid materials and flanges, 1.5 oz. tube4.10
A9101 55-62	GASKET SET - water pump, small block (pr)3.65
A5145 53-55	HOUSING/BACK PLATE - 6 cylinder water pump	479.95
A9107 59-62	PLUG - intake manifold and water pump - for heater delete cars5.85
A9100 55-56	REBUILD (Super) KIT - water pump, includes correct pan head screws, star lock washers, rear flat steel plate, gaskets, impeller, bearing seal & shaft58.35
A9105 63-67	REBUILD (Super) KIT - water pump, includes correct pan head screws, star lock washers, rear flat steel plate, gaskets, impeller, bearing seal & shaft69.95
A9112 57-62	REBUILD KIT - water pump, w/bearing, seal, correct backing plate screws, gaskets & instructions69.95
A9171 53-54	REBUILD SERVICE - your water pump, 6 cylinder176.75
A9109 55-62	REBUILD SERVICE - your water pump, small block79.95
A0653 56-62	SCREW SET - water pump backplate, slotted (6pc)6.20
A0442 58-62	STUD - generator brace to water pump mount13.00
A5143 53-55	WATER PUMP - 6 cylinder619.00
A9102 55	WATER PUMP - casting #3704911, restored w/o bypass boss, w/gaskets99.95
A9104 56	WATER PUMP - casting #3704911, restored w/bypass boss w/gaskets99.95
A9106 57-60	WATER PUMP - casting #3736493, restored w/gaskets131.95
A9108 61-62	WATER PUMP - casting #3782609, restored w/gasketsCALL
A9110 55-60	WATER PUMP - remanufactured (repl.)49.95
A9103 61-62	WATER PUMP - reman. w/correct 1/2' pipe top outlet (repl)69.95

All water pumps shown here are totally remanufactured with correct hubs. Guaranteed for one year.

ENGINE COMPARTMENT: SPLASH SHIELDS, HORN SYSTEM, GROMMETS, TIE STRAPS

Grommets - Firewall

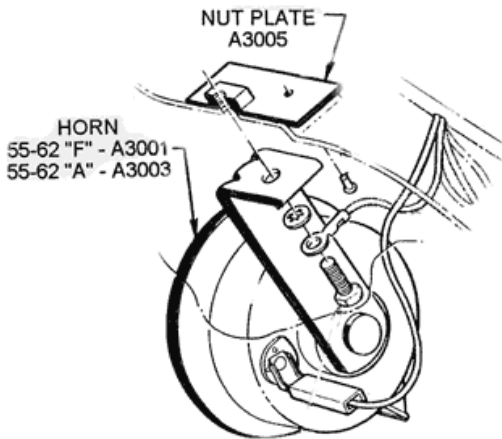
A4708 56-62	GROMMET - firewall / heater hose thru firewall (2 req. 53-55) (1 req. 56-62)	5.00
A0424 58	GROMMET - firewall / tach cable, F.I., (not included w/grommet kit)	20.20
A4048 53-62	GROMMET - firewall, 1 hole, 1", small 7/8 diameter	2.95
A4709 56-62	GROMMET - firewall, 1 hole, large 1 3/8 diameter	5.50



A4712 56-62	GROMMET - firewall, 4 holes	5.95
A4714 58-62	GROMMET - firewall/windshield washer hoses, 2 holes	7.00
A4713 53-57	GROMMET - headlight bucket wire harness	5.25
A4717 53-55	GROMMET - washer hose, 3 hole	4.85
A0654 53-54	GROMMET SET - firewall & body (19pc)	69.95
A4702 56-57	GROMMET SET - firewall & body (24 pc)	51.40
A4704 58-62	GROMMET SET - firewall & body (contains A4708, A4709, A4048, A4712, A4714 & A4716) (25 pc)	52.95
A4716 58-62	GROMMET SET - hood release cable (pr) (A4716 comes without a hole. Cable is pushed through it.)	7.00

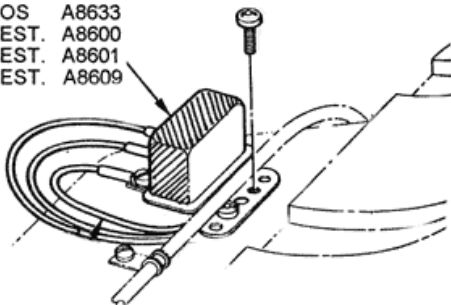
Horn System

A3004 56-62	BOLT & WASHER KIT - horn (6pc)	3.95
-------------	--------------------------------------	------



HORN and HORN RELAY

HORN RELAY	
53-54 REPL.	A8603
55-62 REPL.	A8624
53-54 NOS	A8629
58-62 NOS	A8633
53-54 REST.	A8600
55-57 REST.	A8601
58-62 REST.	A8609



A3003 55-62	HORN - 'A' (high note) (Delco repl., not original in appearance)	46.30
B8675 53-62	HORN RESTORATION - send in your motor for mechanical and cosmetic reconditioning	125.00

A3001 56-62	HORN SET - Delco look-a-likes with universal brackets	130.00
A3005 56-62	NUT PLATE KIT - horn mount, w/rivets	7.95
A8603 53-54	RELAY - horn, 6 volt	17.95
A8624 55-62	RELAY - horn, 12 volt	19.95
A8629 53-54	RELAY - horn, Delco #1116775, NOS / NEW	79.95
A8600 53-54	RELAY - horn, Delco #1116775, restored	69.95
A8627 55-57	RELAY - horn, Delco #1116913, NOS / NEW	85.00
A8601 55-57	RELAY - horn, Delco #1116913, restored	59.95
A8633 58-62	RELAY - horn, Delco #1116781, NOS / NEW	CALL
A8609 58-62	RELAY - horn, Delco #1116781, restored	79.95

NOTE: A8600, A8601, and A8609 are cleaned, re-plated and fully tested.

A3085 58-62	REPAIR KIT - horns, for servicing of 2 original horns, includes rivets & gaskets ...	16.50
A2915 58-62	TIE STRAP - wiper cable, white plastic (1), horn wire (ea)	2.60
A9983 53-62	WIRE - horn, inserts through steering column	12.50

Miscellaneous Engine Compartment Components

A5711 56-62	BOLT SET - engine compartment, 'E' head mark (8 pc)	9.65
A0912 58-62	BOLT SET - nose support rods, 'TR' head mark (2 pc)	6.75
A0904 58-62	BRACKET SET - nose support rods, w/rivets (pr)	14.95
A9962 56-62	CLIP & SCREW SET - under hood wire harness/cable, (6 short & 14 long clips w/screws)	41.95
A9980 58-62	CLIP SET - headlight wire harness connector, to nose panel (4 pc)	13.95
A0990 56-57	REINFORCEMENT SET - lower inner fender to cowl, metal (pr)	49.50
A0991 58-62	REINFORCEMENT SET - lower inner fender to cowl, metal (pr)	58.30
A0900 58-62	ROD SET - nose support (pr)	24.95

Paint

B9434 53-62	PAINT - aluminum cast, 12 oz. Aerosol	6.50
G5003 53-62	PAINT - black, semi gloss, 12 oz. aerosol ...	6.50
A1162 55-62	PAINT - brake drum, gloss black, chemical resistant, 1loz	6.95
G0114 53-62	PAINT - cast iron blast, 12 oz. aerosol	6.50
G5025 53-62	PAINT - gloss black, 12 oz. aerosol	6.50
G5002 53-62	PAINT - gray cast iron, hi-temp., 12 oz. aerosol	6.50
G0045 53-62	PAINT - orange, Chevy, hi-temp., 12 oz. aerosol	6.95

Splash Shields & Pans

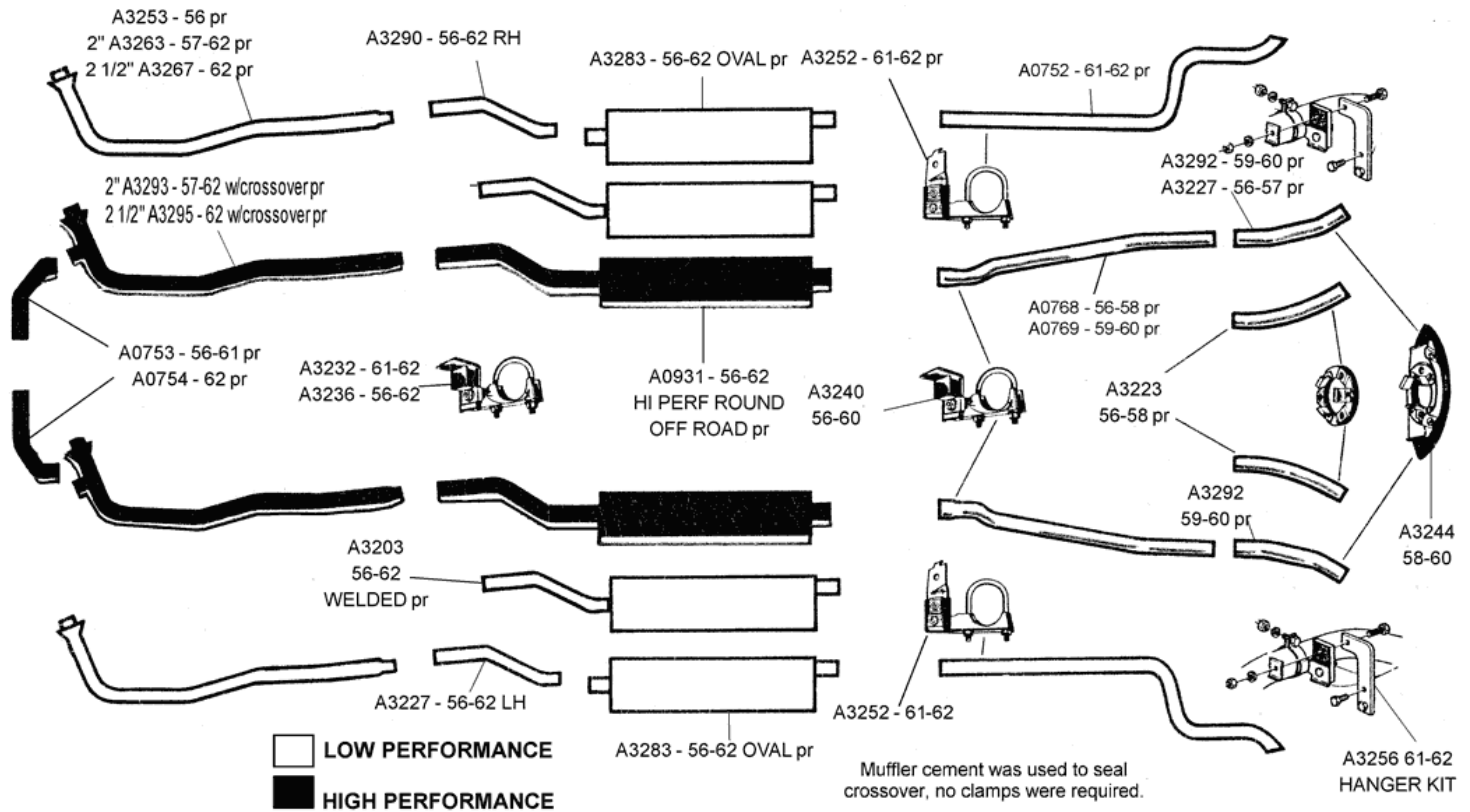
A9299 56-62	CLIP SET - weatherstrip retainer, push-in type (8 pc)	5.25
A2919 60-62	MOUNT KIT - splash shields, (48 pc)	15.45
A2918 58-59	MOUNT KIT - splash shields, clutch head, (52 pc)	17.10
A2905 56-57	MOUNT KIT - splash shields, clutch head, (68 pc)	19.95
A2904 57	SPLASH SHIELD SET - w/hardware, (4 pc)	74.95
A2921 53-55	SPLASH SHIELD SET - w/hardware, (pr)	159.95
A2902 56	SPLASH SHIELD SET - w/hardware, (pr)	59.95
A2906 58-62	SPLASH SHIELD SET - w/hardware, (pr)	90.00
A9293 53-57	WEATHERSTRIP - splash shield (pr)	18.00
A9297 58-62	WEATHERSTRIP - splash shield (pr)	21.75

Tie Straps & Kits

A2916 61-62	TIE STRAP - aluminum, short, w/wiper hose ...	22.50
A2913 53-57	TIE STRAP - copper, oval end	3.40
A2914 58-60	TIE STRAP - copper, square end	3.40
A2915 58-62	TIE STRAP - wiper cable, white plastic (1), horn wire (ea)	2.60
A2910 53-57	TIE STRAP KIT - wire harness, windshield wiper nose, and heater hose (8 pc)	19.60
A2911 58-60	TIE STRAP KIT - wire harness, windshield wiper hose, and heater hose (10 pc)	50.20
A2912 61-62	TIE STRAP KIT - wire harness, windshield wiper hose, and heater hose (10 pc)	23.50

Voltage Regulators

A0443 56-62	SCREW SET - voltage regulator mounting (3 pc)	3.65
A0447 56-57	VOLTAGE REGULATOR - (reconditioned original), #1119001 / call for dates available, special order	CALL
A0417 58-62	VOLTAGE REGULATOR - (reconditioned original), #1119001 / call for dates available, special order	CALL
A0655 62	VOLTAGE REGULATOR - (reconditioned original), #11199002E	CALL



YEAR	APPLICATION	MUFFLER TYPE	MUFFLER NO. LH & RH PAIRS	SYSTEM #
53-55	All 6 Cylinder	Oval	A3235	A3237
55	V-8	Oval	A3233	A3207
56	3 Bolt Manifold, Welded Flange, no Crossover	Round Off Road	A0931	A3243
57	All except 283 HP, no Header Crossover	Round Off Road	A0931	A3245
56-58 (3 Bolt Manifold)	Low Performance, All 1x4 Carbs	Welded Oval Original	A3203	A3202
	All with Header Crossover	Welded Oval Original	A3203	A3205
	Hi Perf. Sp. Hi Perf. 2x4 Carbs & F.I.	Welded Oval Original	A0931	A3206
59-60	Low Performance, All 1x4 carbs	Welded Oval Original	A3203	A3209
	All with Header Crossover	Welded Oval Original	A3203	A3210
	Hi Perf. Sp. Hi Perf. 2x4 Carbs & F.I.	Round Off Road	A0931	A3211
61-62	Low Performance, All 1x4 carbs	Welded Oval Original	A3203	A3214
	All (2") with Header Crossover	Welded Oval Original	A3203	A3215
	Hi Perf. Sp. Hi Perf. 2x4 Carbs & F.I. (2")	Round Off Road	A0931	A3217
62	Hi Perf. Sp. Hi Perf. W/2-1/2" Manifolds, no Crossovers (not original)	Welded Oval Original	A3201	A3255
		Round Off Road	A0931	A3251
	Hi Perf. Sp. Hi Perf. W/2-1/2" Manifolds with Crossovers	Welded Oval Original	A3203	A3219
		Round Off Road	A0931	A3221

A0446 55-61 VOLTAGE REGULATOR - 12 volt, Delco W/Logo . . .49.95
 A0411 62 VOLTAGE REGULATOR - 12 volt, Delco W/Logo . . .59.95
NOTE: Specify year and month when ordering dated original voltage regulators.
 A0444 53-55 VOLTAGE REGULATOR - 6 volt, Delco W/Logo . . .69.95

VISIT US ON THE WEB AT
www.ChicagoCorvette.net

EXHAUST

Aluminized Exhaust System Kits

Aluminized Exhaust Systems outlast standard carbon tubing systems two-to-one. These exhaust systems are specifically designed to accurately represent all exhaust systems with a crossover between the front header pipes. It may not be able to be installed if you have an incorrect oil pan, fuel pump or other non-stock components on your engine. If an installation problem should exist related to improper mechanical components on the engine, the purchaser is responsible for all shipping on the exhaust system back to our factory and for the original shipping to their address.

A3237	53-55	EXHAUST SYSTEM - 6 cylinder / oval mufflers	353.15
A3207	55	EXHAUST SYSTEM - V8	342.95
A3243	56	EXHAUST SYSTEM - round off road mufflers / 3 bolt flange - no crossover	345.00
A3245	57	EXHAUST SYSTEM - round off road mufflers / all except 283HP - no crossover	312.55
A3202	56-58	EXHAUST SYSTEM - w/welded oval mufflers as original / single 4 barrel - low performance	323.40
A3205	56-58	EXHAUST SYSTEM - welded oval original mufflers/crossover	377.45
A3206	56-58	EXHAUST SYSTEM - hi-perf/sp hi-perf / 2x4 carbs or fi / round off road mufflers	377.45
A3211	59-60	EXHAUST SYSTEM - hi-perf / sp hi-perf -2x4 carburetors & fi / w/round off road mufflers	377.45
A3209	59-60	EXHAUST SYSTEM - low performance 1x4 carburetor / w/welded oval mufflers as original	323.40
A3210	59-60	EXHAUST SYSTEM - all w/header crossover / w/welded oval mufflers - as original	377.45
A3214	61-62	EXHAUST SYSTEM - low performance 1x4 carburetor / w/welded oval mufflers as original	345.00
A3217	61-62	EXHAUST SYSTEM - w/2' pipe / hi-perf - sp hi-perf / 2x4 carbs & fi - round off road mufflers as original	382.25
A3215	61-62	EXHAUST SYSTEM - all w/2' pipe w/crossover / w/welded oval mufflers/original	393.70
A3219	62	EXHAUST SYSTEM - w/2.5' pipe hi-perf & sp hi-perf w/crossover & welded oval mufflers as original	394.95
A3221	62	EXHAUST SYSTEM - w/2.5' pipe hi-perf - sp hi perf w/crossover & round off road mufflers as original	393.70
A3255	62	EXHAUST SYSTEM - w2.5' pipe / hi-perf - sp hi-perf & no cross over w/welded oval mufflers as original	366.65
A3251	62	EXHAUST SYSTEM - 2.5' pipe off road mufflers / no crossover	366.65

Bezels, Clamps & Extensions

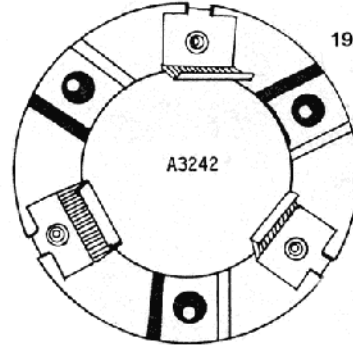
A3268	53-55	BEZEL SET - rear exhaust, (pr)	94.00
A3162	56-62	CLAMP - exhaust, 2 1/2', heavy duty	3.30
A3157	56-62	CLAMP - exhaust, 2 1/4', heavy duty	2.70
A3270	56-62	CLAMP/'U' BOLT - 1 3/4', stainless steel (ea)	7.95
A3272	56-62	CLAMP/'U' BOLT - 1 7/8', stainless steel (ea)	7.95
A3274	56-62	CLAMP/'U' BOLT - 2', stainless steel (ea)	7.95
A3276	56-62	CLAMP/'U' BOLT - 2 1/4', stainless steel (ea)	7.95
A3278	56-62	CLAMP/'U' BOLT - 2 1/2', stainless steel (ea)	7.95
A3512	56-62	CLAMP/'U' BOLT - exhaust, 1 3/4'	3.00
A3513	56-62	CLAMP/'U' BOLT - exhaust, 1 7/8'	3.00
A3510	56-62	CLAMP/'U' BOLT - exhaust, 2' (ea)	2.50
A3159	56-62	CLAMP/'U' BOLT - exhaust, 2 1/2' (ea)	1.50
A3515	56-62	CLAMP/'U' BOLT - exhaust, 2 1/4'	3.00
A3264	53-54	EXTENSION SET - exhaust, w/o baffle (pr)	325.00
A3266	54-55	EXTENSION SET - exhaust, w/baffle (pr)	650.00

Hangers

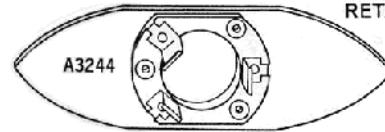
Correct "U" Bolts are exactly what the judges are looking for. We now offer these fine threaded, zinc plated "U" bolts for 1956-62 exhaust systems.

A3257	56-60	'U' BOLT KIT - exhaust, fine thread, low performance, (10 pc)	30.00
A3258	56-60	'U' BOLT KIT - exhaust, fine thread, high performance, (12 pc)	23.15
A3261	61-62	'U' BOLT KIT - exhaust, fine thread, high performance, (10 pc)	32.00
A3259	61-62	'U' BOLT KIT - exhaust, fine thread, low performance, (8 pc)	26.00
A3855	61-62	BOLT SET - rear tail pipe, 'L' bracket to frame (4 pc)	4.65
A3238	53-62	BRACKET - center at X-frame (pr)	11.10
A3248	58-60	BRACKET - exhaust retainer support	19.65
A3260	61-62	BRACKET - tailpipe hanger frame (pr)	16.80
A3232	53-55	HANGER KIT - center at X-frame or rear (pr)	110.20
A3236	56-62	HANGER KIT - center at X-frame (pr)	46.95

A3234	56-60	HANGER KIT - complete, w/clamps, incl. A3240, A3236	101.85
A3580	56-60	HANGER KIT - complete, w/clamps, stainless steel	124.90
A3250	61-62	HANGER KIT - complete, w/clamps, incl. A3236, A3252 & A3256	142.40
A3581	61-62	HANGER KIT - complete, w/clamps, stainless steel	169.00
A3252	61-62	HANGER KIT - rear over axle (muffler) (pr)	45.65
A3240	56-60	HANGER KIT - rear, over axle (pr)	45.65
A3254	61-62	HANGER KIT - tailpipe (pr)	47.60
A3256	61-62	HANGER KIT - tailpipe, W/frame brackets & hardware	45.65



1956-57 EXHAUST PIPE RETAINER IN EXHAUST CHROME



1958-60 EXHAUST PIPE RETAINER IN BUMPER

A3242	56-57	RETAINER KIT - tail pipe, in bumper (pr)	49.00
A3244	58-60	RETAINER SET - w/bolt kit, tail pipe in bumper (assembled) (pr)	89.95
A3262	58-60	SCREW SET - exhaust insulator support bracket (16 pc)	4.85
A3280	56-58	TUNNEL - exhaust pipe, rear wheel well, fiberglass, LH or RH, 2PC / upper & lower	95.00
A3281	56-58	TUNNEL - exhaust pipe, rear wheel well, fiberglass, RH	95.00

Mufflers

G5113	53-62	CEMENT - muffler, 6 oz	4.05
A8307	53-62	CHISEL - muffler removal	9.95
A3283	56-62	MUFFLERS - SET, oval, low noise, as original, pr	168.00
A0931	56-62	MUFFLERS - SET, round, high performance, off road, pr	168.00

Pipe Kits - Stainless Steel Without Mufflers

A3204	56-60	EXHAUST KIT - 2'	349.95
A3208	56-60	EXHAUST KIT - 2' hi-perf w/crossover	379.95
A3212	61-62	EXHAUST KIT - 2'	349.95
A3216	61	EXHAUST KIT - 2' hi-perf w/crossover (w/o mufflers)	269.95
A3220	62	EXHAUST KIT - 2.5' hi-perf w/crossover w/o mufflers	399.95

Pipes - Aluminized

A3227	56-62	PIPE - exhaust, front extension (each) (LH)	42.00
A3290	56-62	PIPE - exhaust, front extension (each) (RH)	42.00
A0753	56-61	PIPE SET - exhaust crossover (pr)	34.95
A0754	62	PIPE SET - exhaust crossover (pr)	34.95
A3223	56-58	PIPE SET - exhaust, tail extension, (pr)	92.65
A3292	59-60	PIPE SET - exhaust, tail extension (pr)	95.85
A0768	56-58	PIPE SET - exhaust, tail pipe (pr)	85.95
A0769	59-60	PIPE SET - exhaust, tail pipe (pr)	85.95
A0752	61-62	PIPE SET - exhaust, tail pipe (pr)	98.95
A3253	56	PIPE SET - exhaust/front header, (pr)	154.50
A3263	57-62	PIPE SET - exhaust/front, 2 inch w/o crossover	154.50
A3293	57-62	PIPE SET - exhaust/front, 2 inch with crossover	189.95
A3267	62	PIPE SET - exhaust/front, 2 inch w/o crossover	166.50
A3295	62	PIPE SET - exhaust/front, 2 1/2 inch with crossover	189.95

EXTERIOR TRIM & MOLDINGS

Fastener Kits

A2744	58	SPEED NUT KIT - all exterior trim & emblems (60 pc)	12.10
A2746	59-60	SPEED NUT KIT - all exterior trim & emblems (64 pc)	12.85
A2748	61	SPEED NUT KIT - all exterior trim & emblems (97 pc)	12.95
A2750	62	SPEED NUT KIT - all exterior trim & emblems (65 pc)	12.50

Front & Fender Top

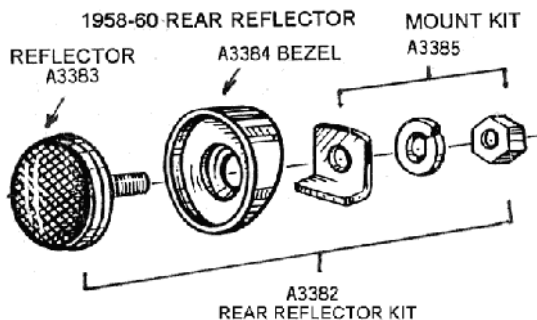
A4950	61-62	EXTENSION SET - headlight ring (pr)	42.25
A4916	56-57	GASKET SET - headlight chrome ring/bezel (pr)	9.45
A3314	53-55	GULL WING MOLDING SET - (pr)	379.00
A3374	58-62	MOLDING - top fender (2 req.), (ea)	115.95
A3399	58	REINFORCEMENT - top fender molding (under fender fits 59-62 for additional strength) ..	95.00
A3380	56-57	RETAINER SET - upper fender chrome scoops (4pc)	2.45
A3330	56-57	RING - headlight, chrome	69.00
A4920	58-60	RING - headlight, chrome	79.95
A3326	53-55	SCREEN SET - headlight, chromed (pr)	114.95
A4927	58-62	SCREW SET - headlight bezel mounting (8 pc) ..	3.75
A4926	56-57	SCREW SET - headlight bezel mounting, includes 'J' nuts (12 pc)	3.65
A3348	58-62	SPEED NUT SET - top fender molding, (22 pc) ..	4.40
A3328	56-57	UPPER FENDER SCOUPS - chrome LH/RH (pr)	199.95

Passenger Compartment

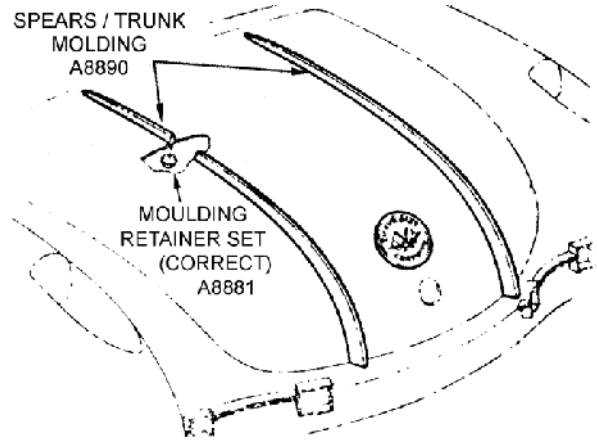
A2666	56-58E	END CAP - upper door, w/o hole, LH	47.95
A2668	56-58E	END CAP - upper door, w/o hole, RH	47.95
A2673	58L-59E	END CAP - upper door, w/hole, LH	42.00
A2672	58L-59E	END CAP - upper door, w/hole, RH	42.00
A6903	59L-60	END CAP - upper door, w/hole & ridge, LH	42.00
A6904	59L-60	END CAP - upper door, w/hole & ridge, RH	42.00
A2688	61-62	END CAP SET- upper door, w/screw & nut kit, LH/RH-stainless steel	89.95
A4872	59-60	INSERT SET - hard top receivers on body, rubber (pr)	59.60
A3322	53-55	MOLDING SET - flipper, late (pr)	155.00
A3342	56-57E	MOLDING SET - hard top receiver (pr)	52.00
A3344	57L-58	MOLDING SET - hard top receiver (pr)	47.85
A3346	59-60	MOLDING/RECEIVER KIT - w/rubber insert & mount kit for hard top installation (pr) ..	130.45
A2692	61-62	MOUNT KIT - door end cap	7.60
A6911	56-58E	MOUNT KIT - door end cap, w/2 clips, 2 weatherstrip retainers & 2 screws	26.80
A2670	58L-60	MOUNT KIT - door end cap, w/weatherstrip retainer	11.00
A4804	56-60	NUT SET - hard top receiver (2 pc)	4.05
A2676	59-62	RETAINER - door end cap (ea)	2.00
A6909	56-58E	RETAINER - door end cap mount, LH	10.45
A6910	56-58E	RETAINER - door end cap mount, RH	10.45

Rear

A3316	53-55	BEZEL - rear license	339.00
-------	-------	----------------------------	--------

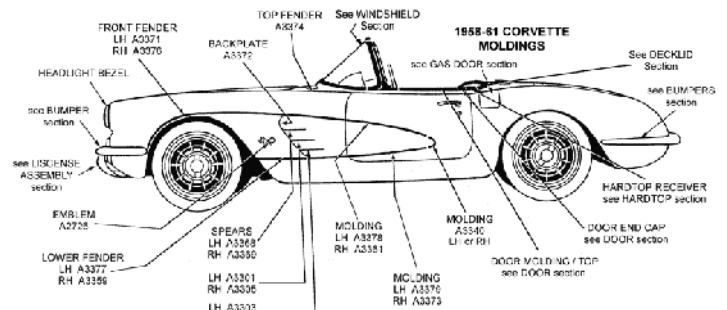


A3384	58-60	BEZEL - rear reflector	18.45
A3268	53-55	BEZEL SET - rear exhaust, (pr)	94.00
A1235	61-62	BUMPERETTE / CHROME - around license plate, used, replatable	159.95
A3318	53-55	COVER - rear license plexiglass	69.00
A3320	53-55	GASKET - rear license cover lens	13.00
A3385	58-60	MOUNT KIT - rear reflector	5.25
A3383	58-60	REFLECTOR - rear	19.60
A3382	58-60	REFLECTOR KIT- rear (2 reflectors, 2 bezels, 1 mount kit)	69.95
A8881	58	RETAINER/NUT SET-trunk molding/flat speednuts-does one molding (6pc)	10.85

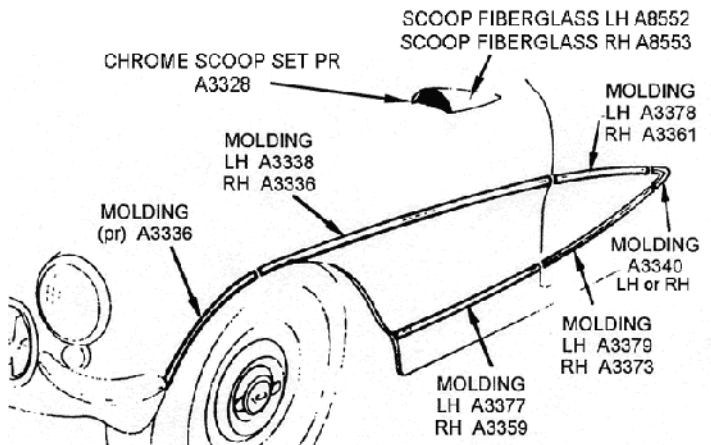


A8890	58	TRUNK MOLDING (SPEARS) SET - chrome/thin wall as original, (pr)	2,995.00
-------	----	---	----------

Side

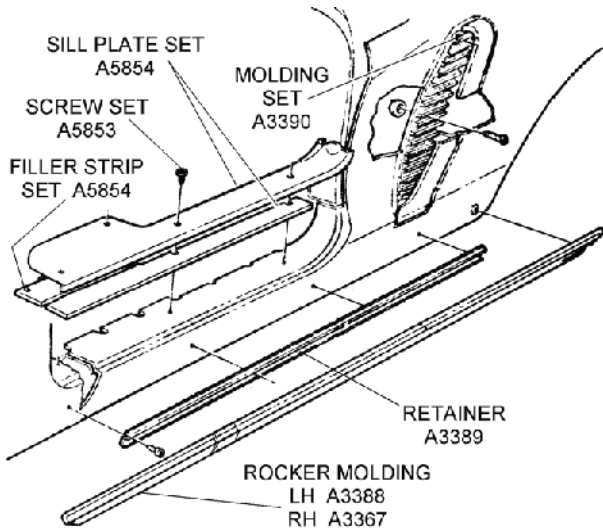


A3372	58-61	BACKPLATE INSERT SET - side spears (pr)	20.45
A3345	56-62	BOLT - side trim mounting, 'T' type	3.25
A3312	53-55	CLIP - side chrome, 'U' type	3.95
A2726	57-60	EMBLEM SET - crossed flags, front fender side, show quality (pr)	67.75
A3340	56-61	MOLDING - 'C', on door, LH or RH (ea)	19.95
A3336	56-57	MOLDING - front wheel well (pr)	94.65
A3379	56-61	MOLDING - lower door side, LH	40.25
A3377	56-61	MOLDING - lower fender side, LH	38.95
A3359	56-61	MOLDING - lower fender side, RH	38.95
A3304	53-55	MOLDING - lower front, side fender (2 req. ea)	61.75
A3311	53-55	MOLDING - lower side, door, LH	106.00
A3313	53-55	MOLDING - lower side, door, RH	106.00
A3388	62	MOLDING - rocker, LH	154.95
A3367	62	MOLDING - rocker, RH	154.95
A3338	56-57	MOLDING - upper fender side, LH	94.65
A3339	56-57	MOLDING - upper fender side, RH	86.75



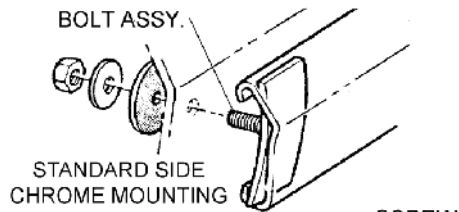
1956-57 SIDE MOLDINGS

A3378	56-61	MOLDING - upper door side, LH	37.95
A3361	56-61	MOLDING - upper door side, RH	37.95
A3371	58-61	MOLDING - upper fender side, LH	114.65
A3376	58-61	MOLDING - upper fender side, RH	114.65
A3334	56-57	MOLDING KIT - complete side set, LH & RH 12pc	479.00
A3375	58-61	MOLDING KIT - complete side set, LH & RH, 10pc	469.00



1962 SIDE EXTERIOR MOLDINGS

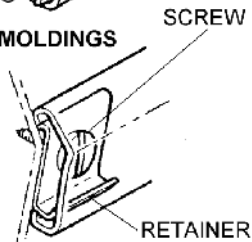
A3390	62	MOLDING SET - side cove, aluminum finned (pr)	379.95
A3310	53-55	MOUNT KIT - side chrome	51.35
A3397	62	MOUNT KIT - side cove molding insert, (18 pc)	5.00



1956-61 SIDE MOLDINGS

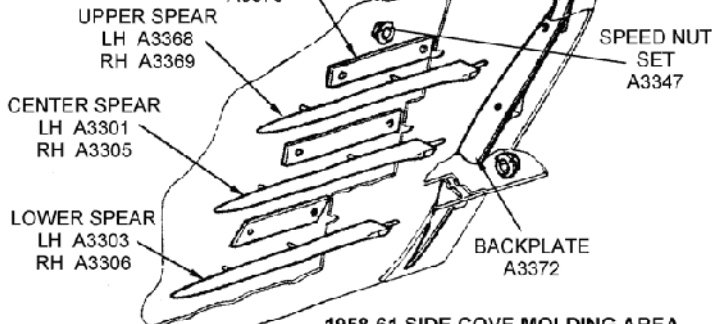
PART OF MOUNT KIT
A3381

Blind spot side chrome mounting



A3381	56-61	MOUNT KIT - side moldings, w/nuts & washers .	62.95
A3370	58-61	REINFORCEMENT PLATE SET - side spears, black (6 pc)	19.95
A3319	56-61	RETAINER - flat, side chrome mount	1.65
A3335	62	62 RETAINER - rocker panel molding / long one piece, 1 required per side	13.95
A3389	62	RETAINER - rocker panel molding (8 req., ea)	5.65
B0565	62	RETAINER STRIP - rocker molding, 2 require, each	22.40
A6407	53-62	SCREW - outside mirror, socket head, (ea)	2.85
A3396	62	SCREW KIT - rocker moldings (52 pc)	13.75
A5871	56-62	SCREW SET - deck lid molding clips (8 pc)	9.30

REINFORCEMENT



1958-61 SIDE COVE MOLDING AREA

A3301	58-61	SPEAR MOLDING - LH, side, center w/speed nuts	28.50
A3303	58-61	SPEAR MOLDING - LH, side, lower w/speed nuts	28.50
A3368	58-61	SPEAR MOLDING - LH, side, upper w/speed nuts	28.50
A3305	58-61	SPEAR MOLDING - RH, side, center w/speed nuts	28.50

A3306	58-61	SPEAR MOLDING - RH, side, lower w/speed nuts	28.50
A3369	58-61	SPEAR MOLDING - RH, side, upper w/speed nuts	28.50
A3365	58-61	SPEAR MOLDING SET - LH and RH, w/backing plates and speed nuts (6 pc)	174.95
A3347	58-61	SPEED NUT SET - 6 side spears (18 pc)	2.95
A3348	58-62	SPEED NUT SET - top fender molding, (22 pc) ..	4.40

FIBERGLASS

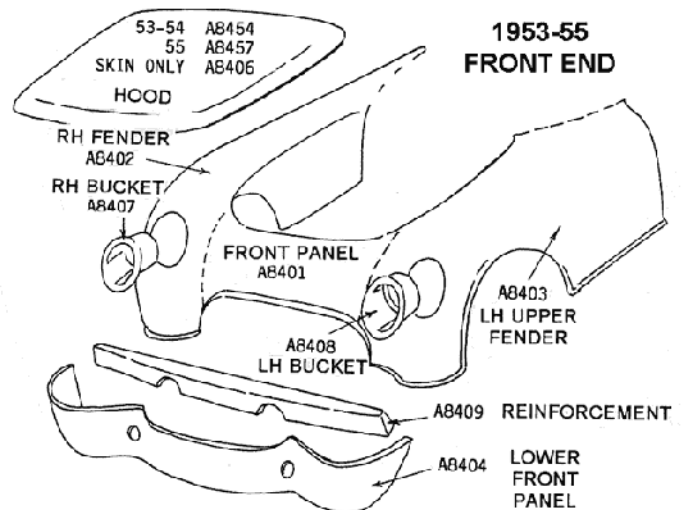
Fiberglass Bonding Adhesive

Vette Bond II is formulated for all types of fiberglass including GM's new sheet molded compound fiberglass panels. Bailey's is a general use fiberglass bonding adhesive.

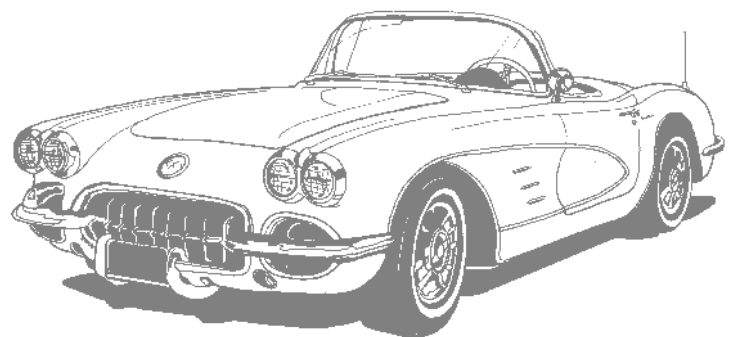
G0314	BAILEY'S BOND II - gallon	78.85
G0320	BONDING PUTTY - pigmented polyester based ..	96.55
G0310	VETTE BOND II - gallon	80.35
G0312	VETTE BOND II - quart	43.90

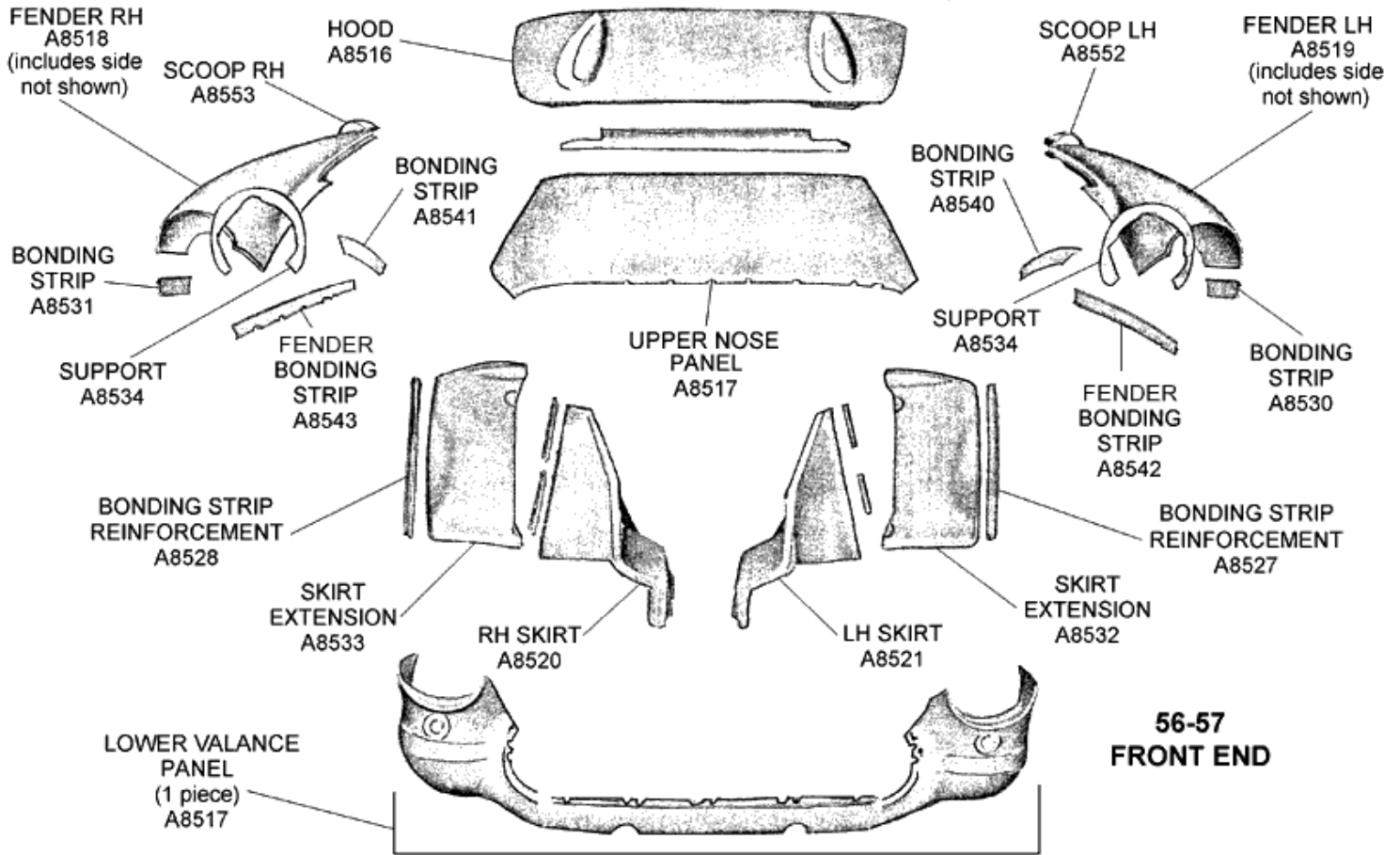
Front & Rear Body - 1953-55

A8399	53-55	BODY PANEL - rear tail light housing (HL) ..	184.50
-------	-------	--	--------



A8408	53-55	BUCKET - headlight, fiberglass, LH	155.00
A8407	53-55	BUCKET - headlight, fiberglass, RH	100.00
A8563	53-55	COVER - transmission tunnel, fiberglass, PM ..	175.00
A8403	53-55	FENDER - front, upper LH	515.00
A8402	53-55	FENDER - front, upper RH	575.00
A8400	53-55	FENDER - side, hood surround to seam	557.50
A8441	53-55	FRONT END ASSEMBLY - complete, to include over dash, behind windshield	2,295.00
A8406	55	HOOD - outer skin	250.00
A8457	53-55	HOOD ASSEMBLY - (HL) (hand layed) **drop shipped truck freight**	899.00
A8454	53-54	HOOD ASSEMBLY - HL (hand layed) **drop shipped truck freight**	554.25
A8401	53-55	PANEL - front, center	399.00
A8404	53-55	PANEL - front, lower	399.00
A8458	53-55	PANEL - upper surround	1,029.00
A8409	53-55	REINFORCEMENT - 1 baffle, lower, radiator support	153.50
A8521	53-57	SKIRT - inner fender, LH	329.00
A8483	53-54	SKIRT - inner fender RH	339.00
A8405	53-55	SURROUND - hood, center wheel, forward	569.00

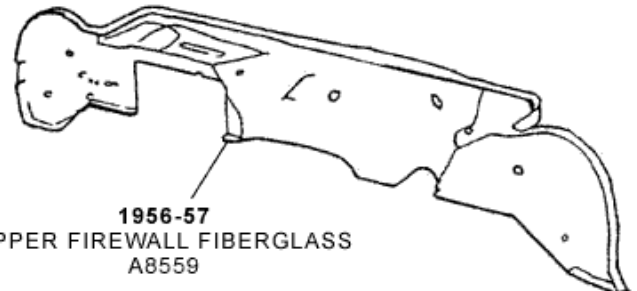




**56-57
FRONT END**

Front Body - 1956-57

A8950 56-57	BAFFLE - in front of core support, fiberglass (PM)	119.00
A8951 56-57	BOLT - fender skirt reinforcement/retainer, 'TR' HM (10 req) (ea)	1.15
A8536 56-57	BONDING STRIP - side fender, to top fender, PM, white, LH	75.85
A8537 56-57	BONDING STRIP - side fender, to top fender, PM, white, RH	75.85
A8543 56-57	BONDING STRIP - upper fender to lower corner, PM, white, RH	81.40
A8542 56-57	BONDING STRIP - upper fender to lower corner, PM, white, LH	81.40
A8530 56-57	BONDING STRIP - upper fender, front wheel well, PM, white, LH	39.00
A8531 56-57	BONDING STRIP - upper fender, front wheel well, PM, white, RH	39.00
A8540 56-57	BONDING STRIP - upper grille open corner, LH	40.20
A8541 56-57	BONDING STRIP - upper grille open corner, RH	40.20
A8523 56-57	BONDING STRIP - upper radiator support	24.95
A8524 56-57	BONDING STRIP - upper radiator support, PM, white	58.35
A8527 56-57	BONDING STRIP - vertical radiator support, PM, white, LH	64.25
A8528 56-57	BONDING STRIP - vertical radiator support, PM, white, RH	64.25
A0965 56-57	BRACKET - lower radiator fiberglass baffle mount, in front of radiator installs on A3590)	46.20
A8522 56-57	CORE SUPPORT - radiator (fiberglass)	335.00
A8532 56-57	EXTENSION - skirt, PM, white, LH	88.00
A8533 56-57	EXTENSION - skirt, PM, white, RH	88.00
A8519 56-57	FENDER - side, RH lower, PM	409.00
A8518 56-57	FENDER - side, LH lower, PM	409.00
A8504 56-57	FENDER - upper LH, press molded	308.00
A8505 56-57	FENDER - upper RH, press molded	308.00



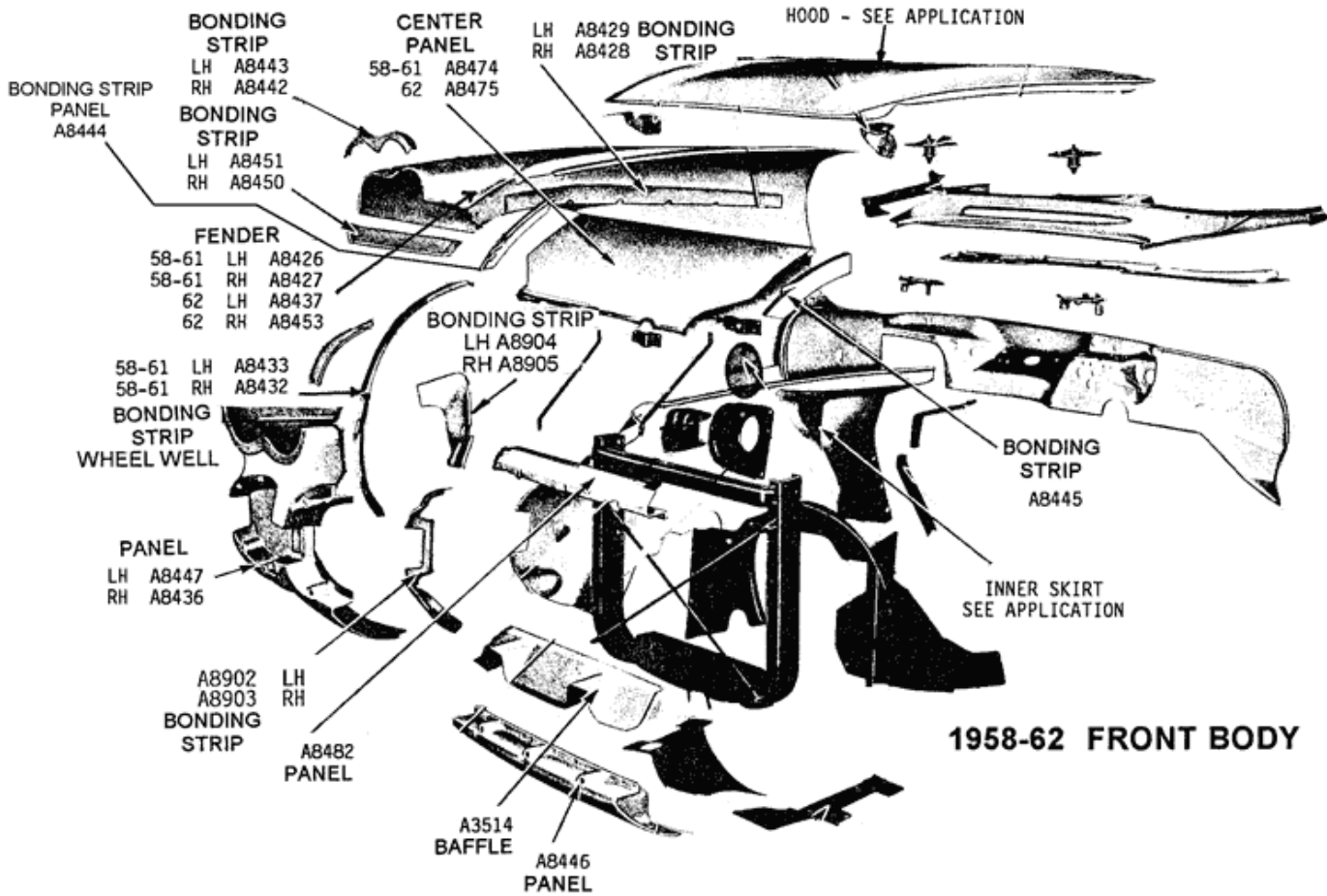
**1956-57
UPPER FIREWALL FIBERGLASS
A8559**

A8559 56-57	FIREWALL (COWL) - upper	220.00
A8397 56-57	FLOOR SUPPORT - center LH / fiberglass	80.00
A8396 56-57	FLOOR SUPPORT - center RH / fiberglass	80.00
A8529 56-57	FRONT END - with cowl & upper dash	1,550.00
A8514 56-57	HOOD - inner frame work	325.00
A8512 56-57	HOOD - outer skin	277.10
A8513 56-57	HOOD - outer skin, PM, white	475.00
A8516 56-57	HOOD ASSEMBLY - PM, white	695.00
A8398 56-57	HOOD SURROUND - press molded fiberglass	995.00
A8517 56-57	NOSE PANEL - hood to grille lower	147.75
A8558 56-57	PANEL - front lower, headlights down, & around lower grille, PM white	379.00
A0990 56-57	REINFORCEMENT SET - lower inner fender to cowl, metal (pr)	49.50
A0930 56-57	REINFORCEMENT SET - upper inner fender to cowl, metal (pr)	49.50
A8556 56-57	RETAINER - fender scoop molding, LH	28.00
A8557 56-57	RETAINER - fender scoop molding, RH	28.00
A8554 56-57	RETAINER - fender scoop molding, PM, white, LH	52.50
A8555 56-57	RETAINER - fender scoop molding, PM, white, RH	52.50

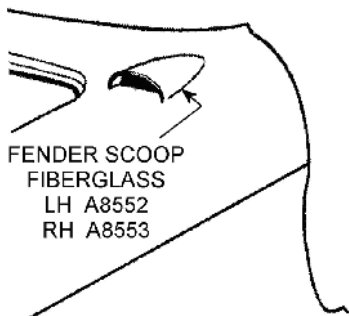
**DO YOU HAVE A
TECHNICAL QUESTION?**

Call our technical department at 708-458-2500 for assistance.

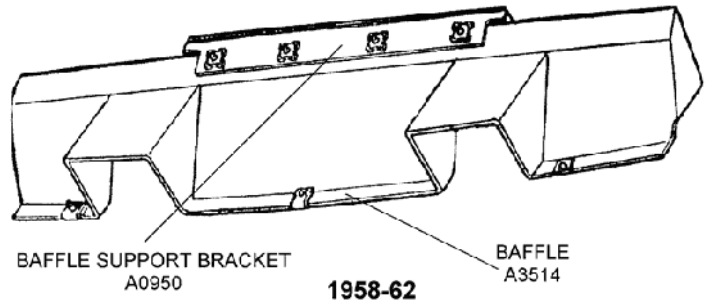




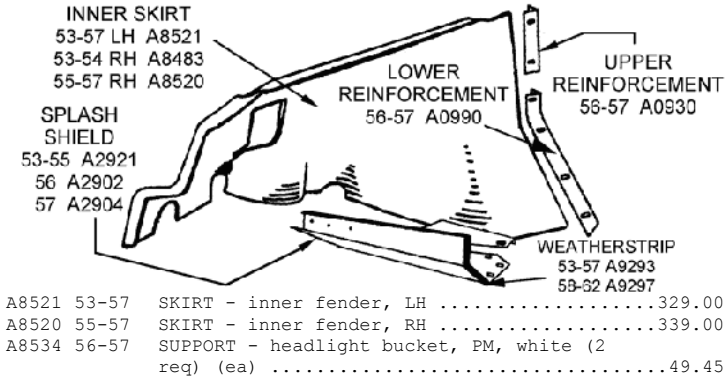
Front Body - 1958-62



- A8552 56-57 SCOOP - fender, LH95.00
- A8553 56-57 SCOOP - fender, RH95.00



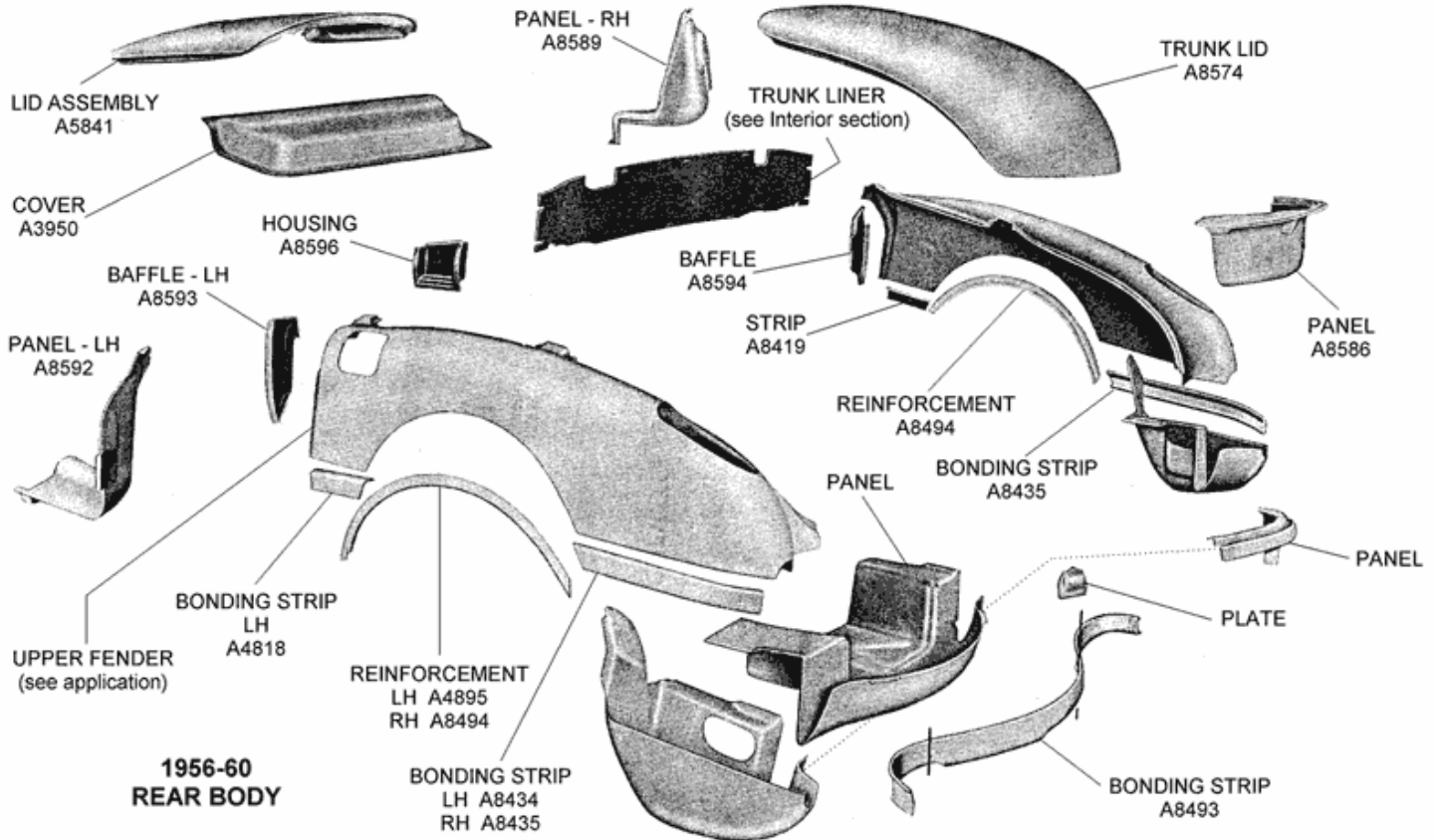
- A3514 58-62 BAFFLE/PANEL - in front of core support, fiberglass, white, (PM)79.95
- A8571 58-62 BONDING STRIP - center panel lower to lower corner cap, LH52.50
- A8573 58-62 BONDING STRIP - center panel lower to lower corner cap, RH52.50
- A8431 58-61 BONDING STRIP - fender cowl to wheel well opening, LH75.85
- A8430 58-61 BONDING STRIP - fender cowl to wheel well opening, RH75.85
- A8429 58-61 BONDING STRIP - fender cowl to wheel well opening, white, (PM) LH79.00
- A8428 58-61 BONDING STRIP - fender cowl to wheel well opening, white, (PM), RH79.00
- A8445 58-62 BONDING STRIP - fender inner to center nose panel, white, (PM) LH29.00
- A8444 58-62 BONDING STRIP - fender inner to center nose panel, white, (PM) RH29.00
- A8451 58-62 BONDING STRIP - front panel to lower corner front, PM white, LH39.00
- A8450 58-62 BONDING STRIP - front panel to lower corner front, PM white, RH39.00
- A8439 58-62 BONDING STRIP - front panel/surround outer, PM, white, LH37.35
- A8438 58-62 BONDING STRIP - front panel/surround outer, PM, white, RH37.35
- A8433 58-61 BONDING STRIP - front wheel opening, PM, white, LH64.00
- A8432 58-61 BONDING STRIP - front wheel opening, PM, white, RH64.00
- A8460 58-62 BONDING STRIP - inner skirt, front, LH64.25



DO YOU HAVE A TECHNICAL QUESTION?

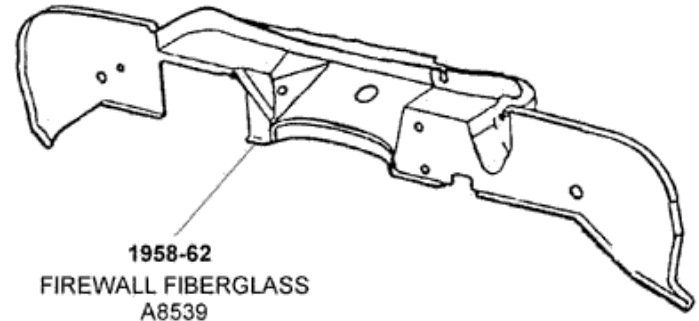
Call our technical department at 708-458-2500 for assistance.



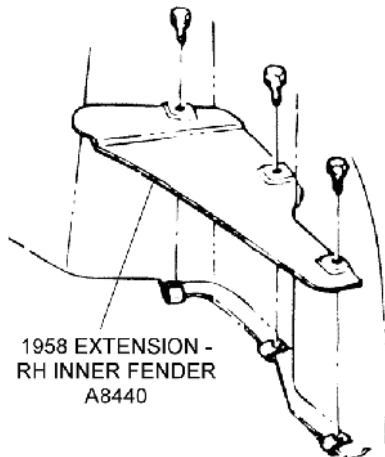


A8459	58-62	BONDING STRIP - inner skirt, front, RH	64.25
A8462	58-62	BONDING STRIP - inner skirt, front, PM, white, LH	64.25
A8461	58-62	BONDING STRIP - inner skirt, front, PM, white, RH	64.25
A8902	58-62	BONDING STRIP - lower side to lower center nose, LH	39.00
A8903	58-62	BONDING STRIP - lower side to lower center nose, RH	39.00
A8904	58-62	BONDING STRIP - nose, corner, LH	39.00
A8905	58-62	BONDING STRIP - nose, corner, RH	39.00
A8481	62	BONDING STRIP - side fender, PM, white, LH	79.00
A8480	62	BONDING STRIP - side fender, PM, white, RH	79.00
A8443	58-62	BONDING STRIP - upper headlight opening, PM, white, LH	29.25
A8442	58-62	BONDING STRIP - upper headlight opening, PM, white, RH	29.25
A0950	58-60	BRACKET - on lower radiator fiberglass baffle mount A3514, in front of radiator	46.20
A8570	58-62	DASH	257.25

A8456	58-61	FILLER- side fender, PM, white, LH	40.85
A8455	58-61	FILLER - side fender, PM, white, RH	40.85
A0666	62	FILLER - side fender, PM, white, LH	55.00
A0667	62	FILLER - side fender, PM, white, RH	53.00
A8859	58-60	FIREWALL - (COWL) - upper	339.00



A8539	61-62	FIREWALL - (COWL) - upper	339.00
A8397	58-62	FLOOR SUPPORT - center LH / fiberglass	80.00
A8396	58-62	FLOOR SUPPORT - center RH / fiberglass	80.00
A8410	58-61	FRONT END ASSEMBLY - (one piece)	1,424.95
A8469	62	FRONT END ASSEMBLY - (one piece)	1,474.95
A8575	58-61	FRONT END ASSEMBLY KIT - all components (unassembled panels & bonding strips) for door to door, as original front end, includes inner fenders, PM white	4,295.00
A8772	62	FRONT END ASSEMBLY - all components (unassembled panels & bonding strips) for door to door, as original front end, incl. inner fenders, PM white	4,295.00
A0668	58-61	FRONT END ASSEMBLY KIT - All components shown in A8575, jig assembled	5,495.00
A0669	62	FRONT END ASSEMBLY - All components shown in A8772, jig assembled	5,495.00
A8411	58-61	FRONT END ASSEMBLY - w/o lower side fenders	1,195.00
A8468	62	FRONT END ASSEMBLY - w/o lower side fenders	995.00
A8415	58-60	HOOD - inner sub-frame	495.00
A8416	61-62	HOOD - inner sub-frame	495.00
A8412	58	HOOD - skin	575.00
A8413	59-62	HOOD - skin	595.00
A8414	59-62	HOOD - skin, PM, white	575.00
A8417	58	HOOD ASSEMBLY - HL (hand layed)	875.00
A8579	59	HOOD ASSEMBLY - PM, white	1,050.00
A8585	60	HOOD ASSEMBLY - PM, white	1,050.00
A8464	61-62	HOOD ASSEMBLY - PM, white	1,050.00
A8471	62	PANEL - front	420.00
A8421	58-62	PANEL - hood surround HL (hand layed)	467.50



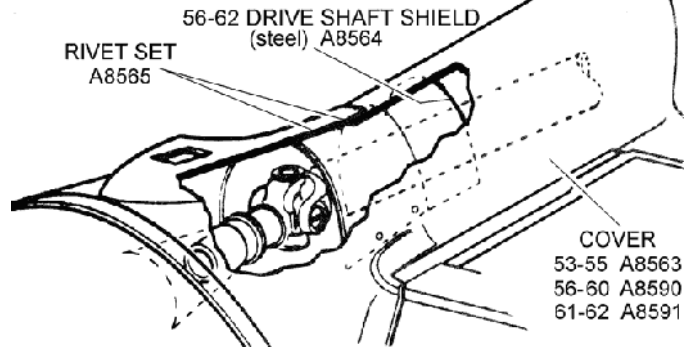
A8440	58	EXTENSION - inner fender skirt, RH	72.40
A8566	58-61	FENDER - side w/rocker panel, PM, white, LH	437.50
A8567	58-61	FENDER - side w/rocker panel, PM, white, RH	437.50
A8425	58-61	FENDER - side, PM, white LH	369.00
A8424	58-61	FENDER - side, PM, white RH	369.00
A8473	62	FENDER - side, PM, white, LH	369.00
A8472	62	FENDER - side, PM, white, RH	369.00
A8426	58-61	FENDER - top, PM, white, LH	339.00
A8427	58-61	FENDER - top, PM, white, RH	339.00
A8437	62	FENDER - top, PM, white, LH	339.00
A8453	62	FENDER - top, PM, white, RH	339.00

A8420	58-62	PANEL - hood surround, PM, white	895.00
A8446	58-62	PANEL - lower center nose, PM, white	129.00
A8423	58-61	PANEL - lower front/center headlight, down	699.00
A8422	58-62	PANEL - lower nose front/center headlight down, PM, white (truck only)	700.00
A8535	58-62	PANEL - lower nose, front bumpers down, PM white	689.00
A8447	58-62	PANEL - side nose, PM, white, LH	329.00
A8436	58-62	PANEL - side nose, PM, white, RH	456.50
A8478	62	PANEL - wheel opening front, LH	45.50
A8479	62	PANEL - wheel opening front, RH	45.50
A8477	62	PANEL - wheel opening front, PM, white, LH	66.00
A8476	62	PANEL - wheel opening front, PM, white, RH	66.00
A8482	58-62	PANEL CENTER - upper nose panel extension PM, white	64.00
A8474	58-61	PANEL CENTER - upper nose, PM, white	175.00
A8475	62	PANEL CENTER - upper nose, PM, white	175.00
A8584	58-62	PLATE KIT - hood hinge mounting in hood, w/rivets	87.50
A8562	58-62	REINFORCEMENT - cowl upper	115.00
A0991	58-62	REINFORCEMENT SET - lower inner fender to cowl, metal (pr)	58.30
A0932	58-59E	REINFORCEMENT SET - upper inner fender to cowl, metal (pr)	49.50
A0933	59L-62	REINFORCEMENT SET - upper inner fender to cowl, metal (pr)	58.30
A8952	58-62	SCREW & WASHER - fender skirt reinforcement to firewall retainer, 'E' head mark (24 req) (ea)	1.00
A0934	58-62	SCREW SET - inner fender reinforcement, upper & lower (48 pc)	14.45
A8538	58-62	SKIRT - inner fender, front half, PM, LH	187.60
A8569	58-62	SKIRT - inner fender, front half, PM, RH	187.60
A8449	58-62	SKIRT - inner fender, LH - HL	279.00
A8448	58-62	SKIRT - inner fender, RH - HL	279.00
A8561	58-62	SKIRT - inner fender, PM, white, LH (truck freight only)	529.00
A8560	58-62	SKIRT - inner fender, PM, white, RH (truck freight only)	529.00

Rear Body - 1953-60

A8434	56-60	BONDING STRIP - fender cap to lower panel, LH	71.10
A8435	56-60	BONDING STRIP - fender cap to lower panel, RH	71.10
A8418	56-60	BONDING STRIP - fender cap to rocker panel, LH	50.50
A8419	56-60	BONDING STRIP - fender cap to rocker panel, RH	50.50
A8493	56-60	BONDING STRIP - rear body	68.95
A8586	56-60	COVER - center rear trunk	205.00
A3950	56-62	COVER - gas tank/fiberglass	195.00
A8563	53-55	COVER - transmission tunnel, fiberglass, PM	175.00
A8590	56-60	COVER - transmission tunnel, fiberglass, PM	224.95
A8595	56-60	COVER - transmission tunnel, hand laid	139.95
A5841	56-60	DECK LID - fiberglass, PM	650.00
A8544	56-57	DOOR SKIN - LH, HL	199.00
A8545	56-57	DOOR SKIN - RH, HL	199.00
A8486	58-60	DOOR SKIN - LH, HL	319.00
A8485	58-60	DOOR SKIN - RH, HL	319.00
A8548	56-57	FENDER - rear (bumper up), LH	275.00
A8549	56-57	FENDER - rear (bumper up), RH	275.00
A8488	58-60	FENDER - rear (bumper up), LH	399.00
A8487	58-60	FENDER - rear (bumper up), RH	399.00
A8592	56-62	FILLER - door jamb, LH	199.00
A8589	56-62	FILLER - door jamb, RH	199.00
A8596	56-60	FILLER - gas door area	59.95
A8593	56-60	FILLER - rear splash, LH	81.50
A8594	56-60	FILLER - rear splash, RH	81.50
A8587	58E	FILLER PANEL/COVER - bumper brace/wheel well, LH	32.00
A8588	58E	FILLER PANEL/COVER - bumper brace/wheel well, RH	32.00
A8467	58-62	KICK PANEL - fiberglass, unpainted, LH	79.95
A8466	58-62	KICK PANEL - fiberglass, unpainted, RH	79.95
A8465	58-62	KICK PANEL SET - fiberglass, unpainted, (pr), LH & RH	149.95
A2164	58-62	PACKAGE TRAY - white fiberglass, press-molded	65.00
A8578	53-57	PANEL - lower dash fiberglass w/o metal	260.00
A8492	56-60	PANEL - rear lower w/trunk floor section (truck only)	375.00
A8583	56-60	PANEL - repair panel, rear wheel well opening 6', PM, white, LH	200.85
A8582	56-60	PANEL - repair panel, rear wheel well opening 6', PM, white, RH	200.85
A8491	56-60	PANEL / VALANCE - outer skin, rear lower, HL (truck only)	369.00
A8394	56-62	PANEL-INNER ROCKER - LH/PM fiberglass	100.00
A8395	56-62	PANEL-INNER ROCKER - LH/PM fiberglass	100.00

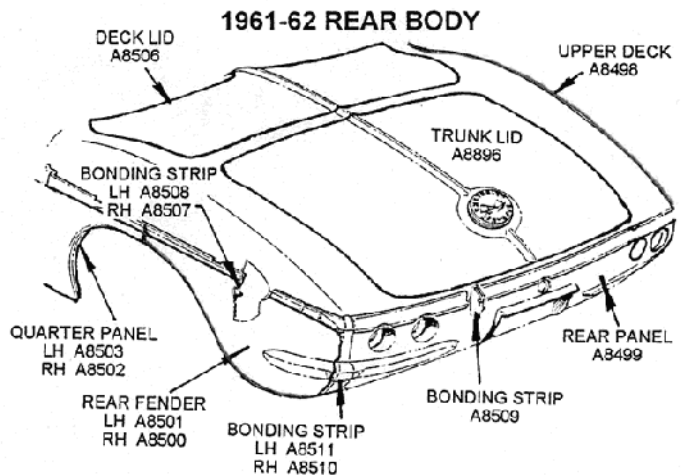
A1950	58-62	PANEL/CONSOLE - fiberglass around radio/heater control bezel	108.95
A8484	58-60	REAR END - upper body section, one piece	899.00
A8495	56-60	REINFORCEMENT BONDING STRIP - rear wheel opening, PM white, LH	58.75
A8494	56-60	REINFORCEMENT BONDING STRIP - rear wheel opening, PM white, RH	58.75
A8565	53-59	RIVET SET - steel shield to trans tunnel (6 pc)	2.00
A8546	56-57	ROCKER PANEL - LH	175.00
A8490	56-60	ROCKER PANEL - LH, PM	195.00
A8550	61-62	ROCKER PANEL - PM, white, LH	175.00
A8551	61-62	ROCKER PANEL - PM, white, RH	175.00
A8547	56-57	ROCKER PANEL - RH	175.00
A8489	56-60	ROCKER PANEL - RH, PM	195.00



A8564	56-62	SHIELD - drive shaft, under body on fiberglass transmission tunnel cover, must be riveted in place	51.00
A2160	58-62	SUPPORT & HEATER COVER - package tray support, fiberglass, Press molded	124.95
A8616	56-60	SUPPORT - inner rocker panel/metal - LH	139.95
A8618	56-60	SUPPORT - inner rocker panel/metal - RH	139.95
A8574	56-60	TRUNK LID - specify year, fiberglass (PM)	534.00
A3280	56-58	TUNNEL - exhaust pipe, rear wheel well, fiberglass, LH or RH, 2PC / upper & lower	95.00

Rear Body - 1961-62

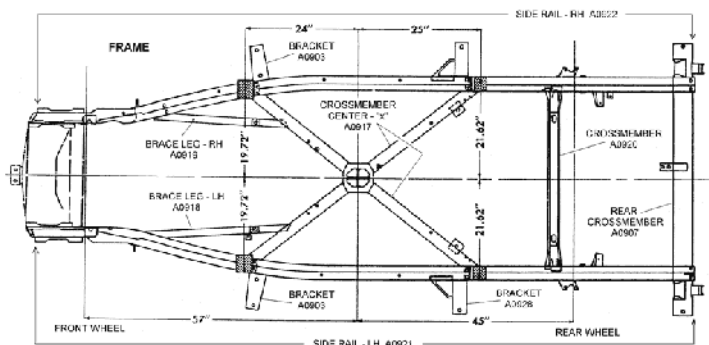
A8511	61-62	BONDING STRIP - corner, vertical, PM, white, LH	73.00
A8510	61-62	BONDING STRIP - corner, vertical, PM, white, RH	73.00
A8509	61-62	BONDING STRIP - rear upper, PM, white	109.00
A8508	61-62	BONDING STRIP - upper fender, PM, white, LH	99.00
A8507	61-62	BONDING STRIP - upper fender, PM, white, RH	99.00
A8591	61-62	COVER - shifter tunnel, fiberglass, PM	224.95
A8506	61-62	DECK LID - convertible top / used - original	425.00
A8592	56-62	FILLER - door jamb, LH	199.00
A8589	56-62	FILLER - door jamb, RH	199.00
A8597	61-62	FILLER - gas assembly	59.95
A3990	61-62	HOUSING - gas door compartment / fiberglass pm/white	139.95
A8581	61-62	PANEL - full rear quarter, (truck freight only), LH, PM	365.00
A8580	61-62	PANEL - full rear quarter, (truck freight only), RH, PM	365.00
A8503	61-62	PANEL - rear fender, front lower, LH	194.70
A8502	61-62	PANEL - rear fender, front lower, RH	194.70



A8501	61-62	PANEL - rear fender, rear lower, PM white, LH	205.00
-------	-------	---	--------

A8500 61-62	PANEL - rear fender, rear lower, PM white, RH	205.00
A8498 61-62	PANEL - rear upper, PM	907.50
A8572 61-62	PANEL - repair wheel opening, 8', PM white, LH	199.00
A8576 61-62	PANEL - repair wheel opening, 8', PM white, RH	199.00
A8499 61-62	PANEL - tail light	469.00
A8550 61-62	ROCKER PANEL - PM, white, LH	175.00
A8551 61-62	ROCKER PANEL - PM, white, RH	175.00
A8497 61	SKIN - door, LH	319.00
A8496 61	SKIN - door, RH	379.00
A8525 62	SKIN - door, LH	319.00
A8526 62	SKIN - door, RH	319.00
A8616 61-62	SUPPORT - inner rocker panel/metal - LH	139.95
A8618 61-62	SUPPORT - inner rocker panel/metal - RH	139.95
A8896 61-62	TRUNK LID - used original	425.00

FRAME



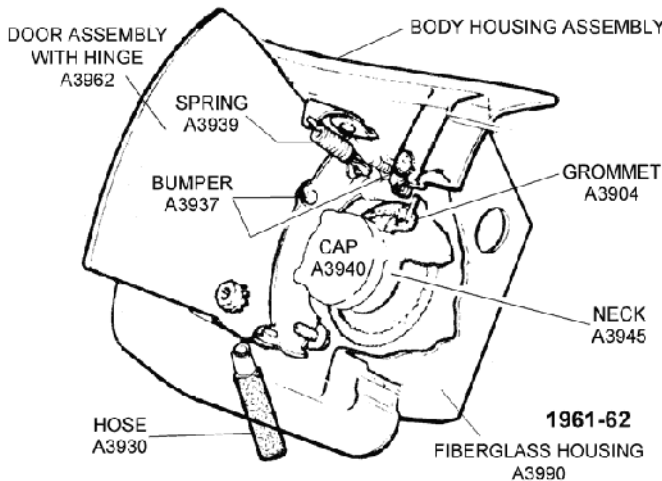
A0918 53-62	BRACE LEG - front X-member, LH	134.00
A0919 53-62	BRACE LEG - front X-member, RH	134.00
A2853 55-62	BRACKET - engine mount on frame, front, LH	169.95
A2851 55-62	BRACKET - engine mount on frame, front, RH	169.95
A0903 53-62	BRACKET - front body mount, side frame	44.00
A0938 53-62	BRACKET - rear axle rebound rubber bumpers	30.20
A0928 53-62	BRACKET - rear body mount, side frame, LH	65.00
A0929 53-62	BRACKET - rear body mount, side frame, RH	65.00
A0937 53-62	BRACKET - rebound strap on frame, rear (2 req., per side) (ea)	23.95
A0936 53-62	BRACKET-rebound strap on frame, rear, w/o lip (2 req. per side, ea)	18.10
A0935 55-62	BRACKET/REINFORCEMENT SET - front side motor mounts, 'L', w/o gussets, welds to frame (2 req. per side)	49.00
A0917 53-62	CROSSMEMBER - center 'X'	695.00
A0920 53-62	CROSSMEMBER - rear above shocks	358.95
A0907 53-62	CROSSMEMBER - rear of frame (53-55 replacement only)	279.00
A0770 53-55	DETAILING KIT - chassis	109.50
A0771 56-62	DETAILING KIT - chassis	133.25
A0951 53-55	FRAME - complete, ** (TRUCK FREIGHT)** w/6 cylinder motor	5,385.00
A0916 55-57	FRAME - complete** (TRUCK FREIGHT)**	5,995.00
A0952 58	FRAME - complete** (TRUCK FREIGHT)**	5,995.00
A0845 59	FRAME - complete** (TRUCK FREIGHT)**	5,995.00
A0953 60-62	FRAME - complete** (TRUCK FREIGHT)**	5,995.00
A0973 53-62	FRAME - complete, tubular	6,395.00
G5012 53-62	PAINT - frame & chassis, asphalt based, black, quart	19.95
A0923 53-62	RAIL - frame, front half, LH **truck freight**	925.00
A0924 53-62	RAIL - frame, front half, RH **truck freight**	925.00
A0921 53-62	RAIL - frame, front to rear, LH side **truck freight**	1,675.00
A0922 53-62	RAIL - frame, front to rear, RH side **truck freight**	1,675.00
A0925 53-62	RAIL - frame, rear half, LH **truck freight**	675.00
A0926 53-62	RAIL - frame, rear half, RH **truck freight**	675.00
A0902 56-62	RIVET SET - rear cross member to frame	6.15
A2005 58-62	SUPPORT SET - body on frame, in front of kick-up on rail (pr)	74.95

GAS DOOR, GAS TANK, & LINES-GAS TANK TO FUEL PUMP

A3855 56-62	BOLT SET - fuel line frame clip set, 'LG' head mark (4 pc)	4.65
-------------	--	------

NOTE: A3855 is used for brake line clips or blocks to frame. Early Corvettes are prone to gas tank fume problems in the passenger compartment. Double-checking your tank vent hose, clamps and gas cap can help prevent the problem.

A3907 53-62	BOLT SET - gas tank strap mount (4 pc)	2.95
A3934 61-62	BUMPER - gas door stop, rubber (2 req) (ea)	2.45
A3940 53-62	CAP - gas (replacement)	19.95
A3936 57-58	CAP - gas / correct	43.75
A3931 53-62	CAP - gas, locking, chrome plated w/2 keys (repl.)	19.95
G2600 53-57	CAULK - steering column cowl plate, (10 1-foot strips)	6.45
A3922 53-62	CLAMP SET - connector filler hose (pr)	5.00
A3926 56-62	CLIP & SCREW KIT - gas tank vent hose	4.10
A1138 56L-58	CLIP - double, fuel/brake, along rail, 3/8'	5.25
A1137 56E	CLIP - double, fuel/brake, along rail, 5/16'	4.55
A3819 61L-62	CONNECTOR - ribbed rubber hose w/clamps, meter to main gas line (3 pc)	16.55
A3811 53-57E	CONNECTOR/FITTING - long tank to pump gas line	3.75
A381757L-61E	CONNECTOR/FITTING - long tank to pump gas line	3.75
A3950 56-62	COVER - gas tank/fiberglass	195.00
A7546 56-62	FELT - window protector, on gas tank cover, black	44.00
A0772 53-55	FELT - window protector, on gas tank cover, tan	44.00
A3815 56-62	FITTING - flexible gas line to pump, special correct 45 degree (56 2x4 only)	26.40
A3862 58-62	FITTING - flexible gas line, special 45 degree (replacement)	5.20
A3961 56-60	GAS DOOR & HINGE ASSEMBLY	166.95



A3962 61-62	GAS DOOR & HINGE - original, reconditioned	149.95
A4101 53-55	GAS PEDAL	31.95
A4104 56-57	GAS PEDAL	22.50
A4108 58-62	GAS PEDAL	23.00
A3918 56-62	GASKET - gas tank sending unit	5.30

ORDER BY PHONE:

1-800-872-2446



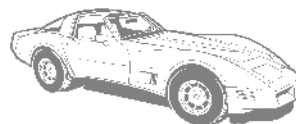
ORDER BY FAX:

708-458-2662



TECHNICAL QUESTIONS:

708-458-2500



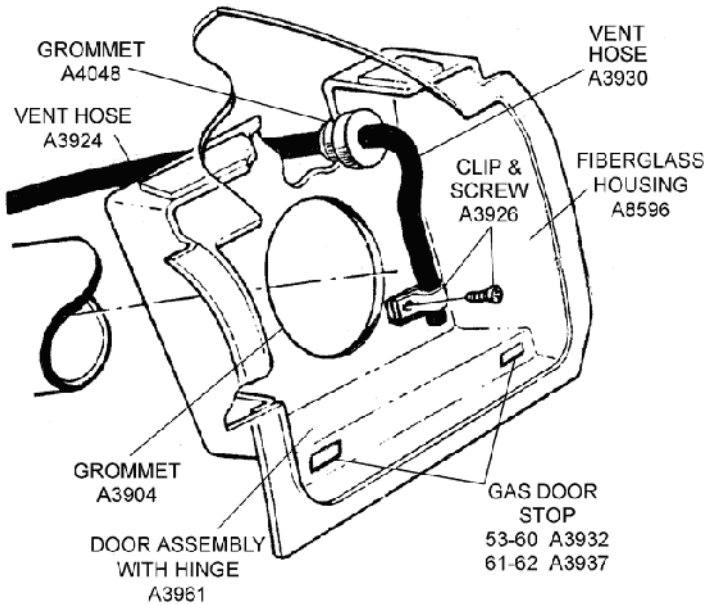
CUSTOMER SERVICE:

708-458-6577

QUESTIONS ABOUT YOUR ORDER:

708-458-2500

VISIT US ON THE WEB AT
www.ChicagoCorvette.net



A3904 53-62	GROMMET - gas neck	10.75
A4048 53-62	GROMMET - gas tank vent hose	2.95
A3930 56-62	HOSE - gas tank filler overflow, drain	5.00
A3924 57-62	HOSE - gas tank vent	9.30
A3860 56-62	HOSE - fuel pump to front to rear fuel line/rubber w/fittings	12.95
A3920 56-62	HOSE KIT - gas tank to filler neck, w/correct clamps	17.95
A3853 61-62	HOSE KIT - ribbed fuel line to sending unit, w/clamps	16.55

NOTE: On the 1953-62 metering/ sending unit connectors: 1953-61E uses a brass connector fitting on the top of the gas line to connect the frame line to the meter. Late 1961 and 62s use a rubber connector hose at this location. 5/16" and 3/8" diameter steel line from gas tank to fuel pump on engine. Includes special armor protector where appropriate. All lines are TBW steel unless noted otherwise. All gas lines can be shipped UPS.

A3946 61-62	HOSE KIT - rubber fuel tank sender to long line w/2 tower clamps	12.10
A3990 61-62	HOUSING - gas door compartment /fiberglass pm/white	139.95
A3800 53	LINE - gas (2 pc)	77.75
A3838 56-57	LINE - gas, 3/8' front section only	27.50
A3844 58-61E	LINE - gas, 3/8' front to rear w/spiral armor	40.95
A3836 56-57	LINE - gas, 3/8' middle section only	20.00
A3840 56-57	LINE - gas, 3/8' stainless steel, tank-to-pump set (3 pc)	78.50
A3839 56-57	LINE - gas, 3/8' steel, tank-to-pump set (3 pc)	54.50
A3834 56-61E	LINE - gas, 3/8' top tank line only	18.35
A3830 56E	LINE - gas, 5/16' front section only	18.35
A3828 56E	LINE - gas, 5/16' middle section only	21.70
A3832 56E	LINE - gas, 5/16' stainless steel, tank-to-pump set (3 pc)	77.50
A3831 56E	LINE - gas, 5/16' steel w/union, tank-to-pump (3 pc)	77.50

NOTE: Some early 1958's may have used a gas line (3pc). Rubber fuel lines are not included.

A3826 56E	LINE - gas, 5/16' top tank line only	18.35
A3856 55-56	LINE - gas, flexible, 8 cylinder with 5/16'	13.95
A3846 58-61E	LINE - gas, stainless steel 2 pc. tank to pump set	66.75
A3848 61L-62	LINE - gas, tank to pump, rubber hose connection at rear (2 pc)	40.95
A3852 61L-62	LINE - gas, tank to pump, stainless steel (2 pc)	66.75
A3825 54	LINE - gas, tank to pump, w/union (2 pc)	77.75
A3850 61L-62	LINE - gas, top tank	18.35
A3803 55	LINE - gas, w/union (2 pc)	63.25
A3933 56-60	NECK - gas filler	49.75
A3945 61-62	NECK - gas filler	59.00
B0443 56-62	NIPPLE - gas filler drain hose	4.50

NOTE: B0443 is a replacement if yours is gone / damaged. It will have to be glued into the bottom of your filler door housing.

A4106 55-57	PAD - brake pedal and clutch, 3 or 4 speed (ea)	5.50
A4112 58-62	PAD - brake pedal and clutch, 3 or 4 speed (ea)	5.20
A4102 53-57	PAD - brake pedal, automatic transmission	16.00
B4114 58-62	PAD - brake pedal, automatic transmission	6.05
A3912 56-62	PAD/INSULATOR SET - gas tank, anti-squeak (pr)	8.95
A3908 53-62	RETAINER SET - gas tank strap, rear (pr)	7.00
A0773 53-55	RETAINER SET - gas tank straps (pr)	11.00

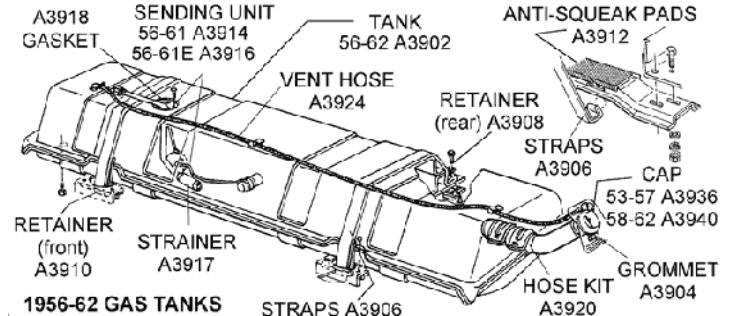
A3910 56-62	RETAINER SET - gas tank straps, front, (pr)	13.80
A3909 56-62	RETAINER/NUT PLATE - rear under body gas tank strap, rear	8.25
A4000 56-62	SCREW KIT - gas door hinge to body (4pc)	2.40
A3944 61L-62	SCREW KIT - gas tank cover, w/J-nuts (45 pc)	29.00
A3942 57-61E	SCREW KIT - gas tank cover, w/J-nuts (54 pc)	17.00
A3905 53-62	SCREW SET - sending unit to gas tank (5 pc)	6.95
A3914 56-60	SENDING (METERING) UNIT - gas tank	69.95

NOTE: A3914 and A3916 due not include: strainer (A3917), screws (A3905) or gasket (A3918).

A3916 61-62	SENDING (METERING) UNIT - gas tank	69.95
A0774 53-55	SENDING (METERING) UNIT - gas tank w/ gaskets & screws	139.95
A3939 61-62	SPRING - gas door	5.45
A3937 61-62	STOP - gas door, (ea)	6.30
A3932 53-60	STOP KIT - gas door, w/screws (pr)	6.95
A3917 56-62	STRAINER - gas tank sending/metering unit pick-up (not included with sending units)	8.75
A3906 53-62	STRAP SET - gas tank w/retainer and washers (pr)	39.00

Now Available from Chicago Corvette Supply! The only, all original, 1956-62 Gas Tanks with O.L. Anderson logo. These tanks come with a new sending unit gasket.

A4110 58-62	STUD KIT - gas pedal/nuts, washers & retainer (9pc)	13.95
A3650 53-55	TANK - gas, w/'O.L. Anderson' logo, w/o vent pipe or baffles. This is our 1956 tank which will accept your 1953-55 sending unit and be a functional replacement for a non-functional original 1953-55 tank (thru 11/15/56)	251.05
A3999 61L-62	TANK - gas, w/'O.L. Anderson' logo, w/vent pipe & baffles	251.05
A365157L-61E	TANK - gas, w/'O.L. Anderson' logo, w/vent pipe, w/o baffles	251.05
A3989 61L-62	TANK - gas, w/vent pipe & baffles, identical to A3999 except w/o O.L. Anderson logo, (also a great 56-61E replacement tank because of the internal baffles and vent which prevent vapors in passenger Compartment (The best overall tank!)	199.00



A363557L-61E	TANK - gas, w/vent pipe - identical to A3651 except w/o O.L. Anderson logo. Will fit any 1956-62	199.00
A0775 56-57E	TANK KIT	389.95
A077657L-61E	TANK KIT	389.95
A0777 61L-62	TANK KIT	389.95

NOTE: Tank kits include a new tank w/o logo, sending (metering) unit, neck, hose, straps, pads, new gas cap, gas neck grommet and vent hose.

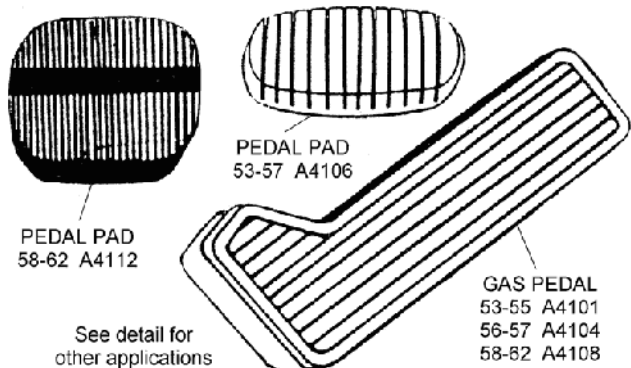
A3935 56-62	WASHER SET - rear gas tank strap retainer (pr)	5.25
-------------	--	------

NOTE: 1953-62 Corvette passenger components are prone to fuel fume problems. Double checking your tank hose connection and cap will limit this problem.

GAS PEDAL & OTHER PEDAL PADS

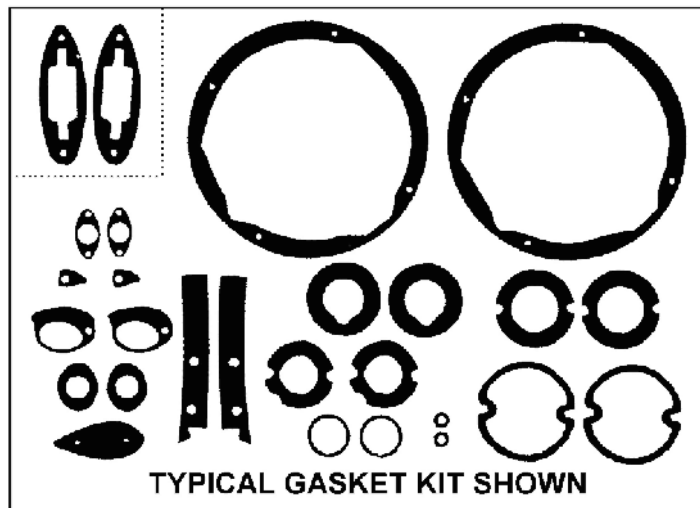
A4101 53-55	GAS PEDAL	31.95
A4104 56-57	GAS PEDAL	22.50
A4108 58-62	GAS PEDAL	23.00
A4106 55-57	PAD - brake pedal and clutch, 3 or 4 speed (ea)	5.50





- A4112 58-62 PAD - brake pedal and clutch, 3 or 4 speed (ea)5.20
- A4102 53-57 PAD - brake pedal, automatic transmission16.00
- B4114 58-62 PAD - brake pedal, automatic transmission6.05
- A4110 58-62 STUD KIT - gas pedal/nuts, washers & retainer (9pc)13.95
- A4109 58-62 SUPPORT PLATE - gas pedal studs6.25

GASKETS, SEAL SETS, & RELATED

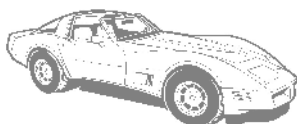


ORDER BY PHONE:
1-800-872-2446



ORDER BY FAX:
708-458-2662

TECHNICAL QUESTIONS:
708-458-2500

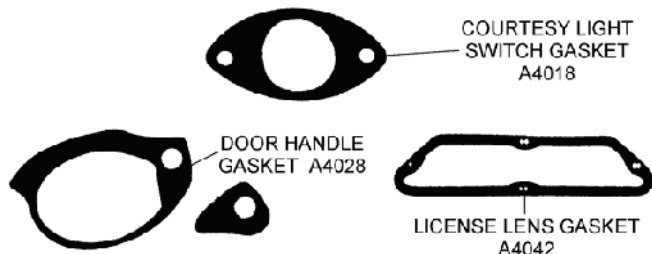


CUSTOMER SERVICE:
708-458-6577

QUESTIONS ABOUT YOUR ORDER:
708-458-2500

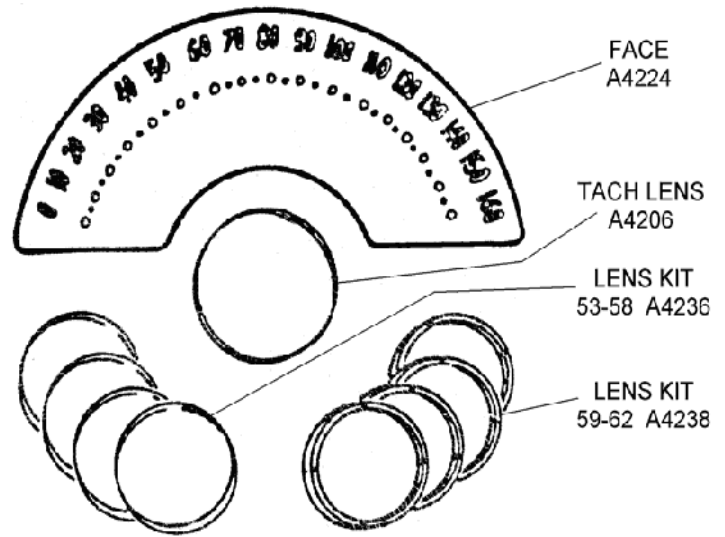
1953-62 BODY GASKET SETS			
A4075	56-57	29 PC. SET	
A4076	58-60	33 PC. SET	
A4077	61-62	33 PC. SET	
A4008		WIPER SPACER (pr)	1
A4010		TAIL LIGHT LENS	1
A4012		MIRROR	1 1 1
A4018		COURTESY LIGHT SWITCH (pr)	1 1 1
A4020		PARKING LAMP LENS (pr)	1 1 1
A4022		WIPER NOZZLE	1 1 1
A4024		DOOR & TRUNK LOCK (3 req.)	1 1 1
A4026		TAIL LAMP TO BODY	1 1
A4056		SOFT TOP LATCH ON DECK LID (pr)	1 1 1
A4032		LICENSE LENS (pr)	1 1
A4004		PARK LAMP TO BODY (pr)	1
A4916		HEADLIGHT BEZEL (pr)	1
A4054		TOP ANCHOR NUT (pr)	2 2 2
A4028		DOOR HANDLE (pr)	1 1
A4034		PARK LAMP TO BODY (pr)	1 1
A4036		WIPER ARM SPACER	1 1
A4038		OUTER TAIL LAMP LENS (pr)	2
A4040		INNER TAIL LAMP LENS	4 2
A4042		LICENSE LIGHT LENS	1
A4044		TAIL LAMP HOUSING	1
A4014		EMBLEM SEAL (2 req.)	1 2

- A4075 56-57 BODY GASKET KIT - (29 pc)46.95
- A4076 58-60 BODY GASKET KIT - (33 pc)49.95
- A4077 61-62 BODY GASKET KIT - (33 pc)49.95
- A3458 58-62 GASKET - FI air cleaner adapter to air meter4.60
- A6098 61-62 GASKET - license light assembly to body5.65
- A4042 61-62 GASKET - license light lens (white)4.95
- A4012 53-62 GASKET - outside mirror2.00
- A8197 53-62 GASKET - rear end drain plug2.20
- A4002 53-55 GASKET - rear license Plexiglas cover15.20
- A4040 61-62 GASKET - tail light lens, cork (ea)6.80
- A4018 53-62 GASKET SET - courtesy light switches (pr)3.35
- A4024 53-62 GASKET SET - door and trunk locks3.00



- A4028 56-62 GASKET SET - door handles (4 pc)5.30
- A4054 56-62 GASKET SET - hard top anchor nut (pr)2.10
- A4918 53-57 GASKET SET - headlight bucket to body (pr)9.25
- A4916 56-57 GASKET SET - headlight chrome ring/bezel (pr)9.45
- A4032 56-60 GASKET SET - license light lens (pr)4.10
- A4020 53-62 GASKET SET - parking lamp lens (pr)4.10
- A4004 53-57 GASKET SET - parking lamps to body (pr)4.45
- A4034 58-62 GASKET SET - parking lights to body (pr)4.10
- A4056 56-62 GASKET SET - soft top latch on rear deck lid (pr)5.00
- A4044 61-62 GASKET SET - tail light housing to body, gray (4 pc)8.10
- A4010 56-57 GASKET SET - tail light lens (pr)4.10
- A4038 58-60 GASKET SET - tail light lens, outer (pr)6.10
- A4026 56-60 GASKET SET - tail light to body (pr)3.60

A4022	53-62	GASKET SET - windshield washer nozzles, pr	1.75
A4008	53-57	GASKET SET - wiper arm chrome spacers (pr)	2.95
A4036	58-62	GASKET SET - wiper arm chrome spacers (pr)	2.75
A4708	56-62	GROMMET - firewall / heater hose thru firewall (2 req. 53-55) (1 req. 56-62)	5.00
A0424	58	GROMMET - firewall / tach cable, F.I., (not included w/grommet kit)	20.20
A4712	56-62	GROMMET - firewall, 4 holes	5.95
A4714	58-62	GROMMET - firewall/windshield washer hoses, 2 holes	7.00
A4713	53-57	GROMMET - headlight bucket wire harness	5.25
A4048	53-62	GROMMET - one hole, 7/8"	2.95
A4717	53-55	GROMMET - washer hose, 3 hole	4.85
A4702	56-57	GROMMET SET - firewall & body (24 pc)	51.40
A4704	58-62	GROMMET SET - firewall & body (contains A4708, A4709, A4048, A4712, A4714 & A4716) (25 pc)	52.95
A4716	58-62	GROMMET SET - hood release cable (pr) (A4716 comes without a hole. Cable is pushed through it.)	7.00
A0778	53-55	SEAL SET - windshield end frame (2pc)	4.75
A4014	58-62	SEAL/GASKET - front or rear emblem	3.00
A9291	56-62	SEAL/SHIM SET - windshield end frames (6 pc)	10.50



A4224	58-62	FACE - speedometer, w/numbers	36.35
A4204	53-57	FACE SET - speedometer (2 pc. w/numbers)	44.95
A4219	53-57	FILTER SET - dash bulbs, 2 green and 1 red (3 pc)	6.95
A4284	53-62	GEAR - odometer, plastic	11.95
A2100	58-62	LENS/FILTERS - brake/beam dash bulbs (pr)	24.95
A2101	58-62	LENS/FILTERS - dash turn signal blinker, green, (pr)	4.95
A0780	53-62	SCREW SET - gauge face mount (2pc)	2.50
A0779	58-62	SCREW SET - speedometer to dash cluster housing	3.60

GAUGES, GAUGE BEZELS & LENSES

Lens Kits - All Instruments

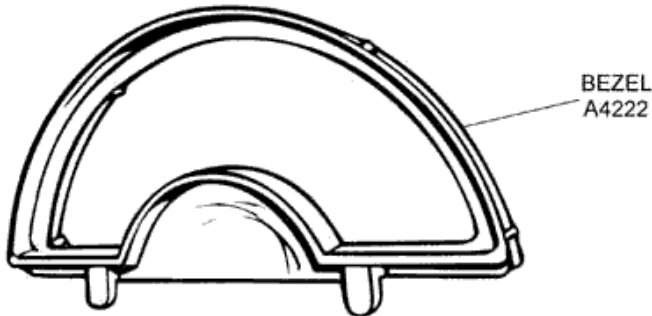
A4216	53-54	LENS KIT - instruments (10 pc)	134.95
A4218	55-57	LENS KIT - instruments (9 pc)	134.95
A4240	58	LENS KIT - instruments (8 pc) 230/250hp	124.95
A4242	59-62	LENS KIT - instruments (7 pc)	84.95

Small Gauges & Components

A4209	53-62	BEZEL - 2 side by side small gauge (2 req.) (ea)	41.85
A4221	53-62	CUSHION - instrument mounting, tachometer or speedometer	4.90
A4253	53-58	FACE - amp (battery) gauge	34.95
A4255	53-58	FACE - fuel gauge	34.95
A4249	53-58	FACE - oil gauge	34.95
A4251	53-58	FACE - temperature gauge	34.95
A4228	53-62	FILTER SET - makes gauge type show through in red (does all small gauges) (4 pc)	9.75
A4016	60	GAUGE - amp (battery), w/o housing, bezel or lens	98.75
A4005	61-62	GAUGE - amp (battery), w/o housing, bezel or lens	98.75
A4017	60	GAUGE - fuel, w/o housing, bezel or lens	98.75
A4003	61-62	GAUGE - fuel, w/o housing, bezel or lens	98.75
A4021	60	GAUGE - oil, w/o housing, bezel or lens	98.75
A4007	61-62	GAUGE - oil, w/o housing, bezel or lens	98.75
A4023	60	GAUGE - temperature 220 degree, w/o housing, bezel or lens	98.75
A4011	61-62E	GAUGE - temperature 220 degree, w/o housing, bezel or lens	98.75
A4015	62L	GAUGE - temperature 240 degree, w/o housing, bezel or lens	98.75
A4236	53-58	LENS KIT - small gauge (4 pc)	13.95
A4238	59-62	LENS KIT - small gauge (4 pc)	17.50

Speedometer

A4223	53-57	BEZEL - speedometer face	191.20
-------	-------	--------------------------	--------



A4222	58-62	BEZEL - speedometer face	69.95
A4221	53-62	CUSHION - instrument mounting, tachometer or speedometer	4.90

Tachometer & Related

Complete restored tachometers ready to install, correct in every detail.

A4221	53-62	CUSHION - instrument mounting, tachometer or speedometer	4.90
A4248	59-62	POINTER/NEEDLE - TACHOMETER	19.95
A0783	53-62	SCREW SET - mounting (2pc)	1.75
A4201	53-55	TACHOMETER - 5000 rpm / 6 cylinder	425.00
A4203	55-57	TACHOMETER - 6000 rpm	425.00
A4207	58	TACHOMETER - (230/245/250HP), generator driven	425.00
A4211	58	TACHOMETER - 270 HP / 8000 rpm	425.00
A4213	58	TACHOMETER - (290 HP) distributor driven	425.00
A4289	59	TACHOMETER - 5500 redline, generator driven	369.00
A4290	59	TACHOMETER - 6500 redline, generator driven	369.00
A4291	59	TACHOMETER - 6500 redline, distributor driven	369.00
A4292	60E	TACHOMETER - 5500 redline, generator driven	369.00
A4293	60E	TACHOMETER - generator driven 6500 rpm	369.00
A4294	60E	TACHOMETER - 6500 redline, distributor driven	369.00
A4295	61L	TACHOMETER - 5500 redline, generator driven	369.00
A4296	61L	TACHOMETER - generator driven / 6500rpm	369.00
A4297	60L-61E	TACHOMETER - 6500 redline, distributor driven	369.00
A4298	61L-62	TACHOMETER - 6500 redline, distributor driven	369.00
A4299	62	TACHOMETER - 5500 redline, distributor driven	369.00

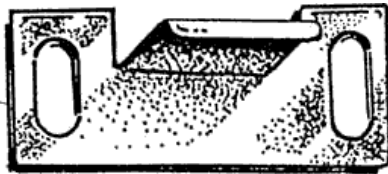
Tachometer: Faces, Bezels, Lenses & Other

A4229	53-62	BEZEL - tachometer	42.95
A4202	53-55	FACE - tachometer, w/numbers (55 6 cyl)	31.95
A4220	55-58	FACE - inner tachometer, w/dots, (53-54 replacement)	25.95
A4214	55-57	FACE - tachometer, w/numbers (all V8)	27.30
A4234	58	FACE - tachometer, inner (8000 RPM w/dots)	27.30
A4230	58	FACE - tachometer, w/numbers (6000 RPM)	41.95
A4232	58	FACE - tachometer, w/numbers (8000 RPM)	44.50
A4269	59	FACE - 5500 redline tachometer	53.75
A4270	59	FACE - 6500 redline tachometer	53.75
A4271	60E	FACE - 5500 redline tachometer. W/white numbers	53.75
A4272	60E	FACE - 6500 redline tachometer. W/white numbers	53.75
A4200	60L-61E	FACE - 5500 redline tachometer, W/green numbers	53.75
A4205	60L-61E	FACE - 6500 redline tachometer, W/green numbers	53.75
A4217	61L-62	FACE - 5500 redline tachometer	53.75
A4231	61L-62	FACE - 6500 redline tachometer	53.75
A4206	53-62	LENS - tachometer, outer	12.85
A4274	53-62	SEAL - outer tach lens	4.25

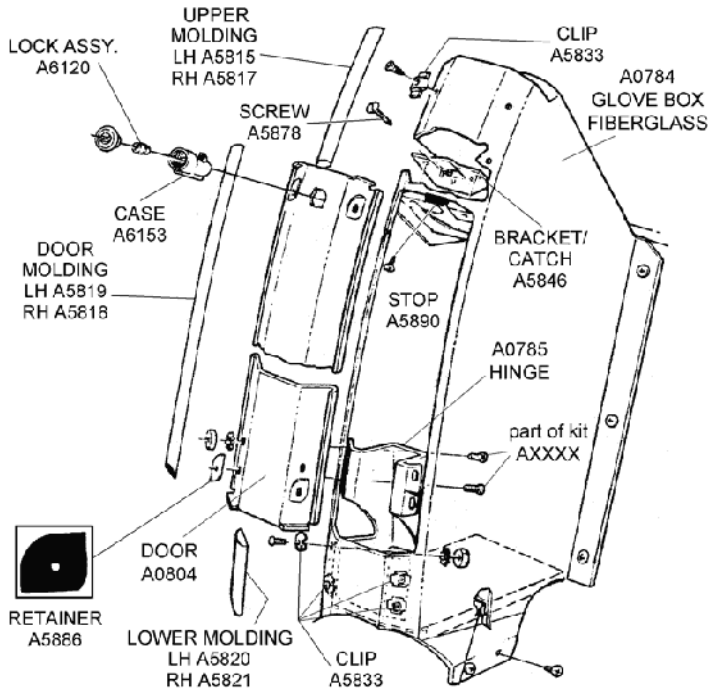
VISIT US ON THE WEB AT
www.ChicagoCorvette.net

GLOVE BOX

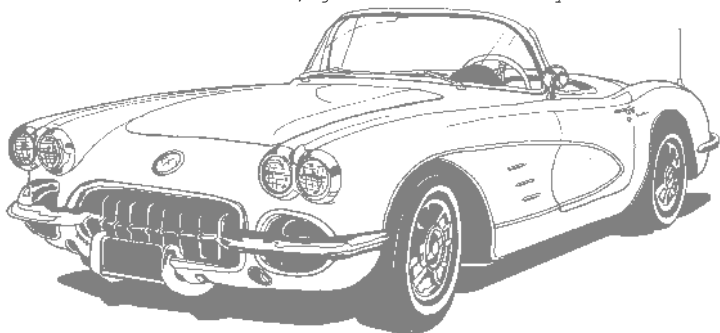
56-57
GLOVE BOX
CATCH
A5846



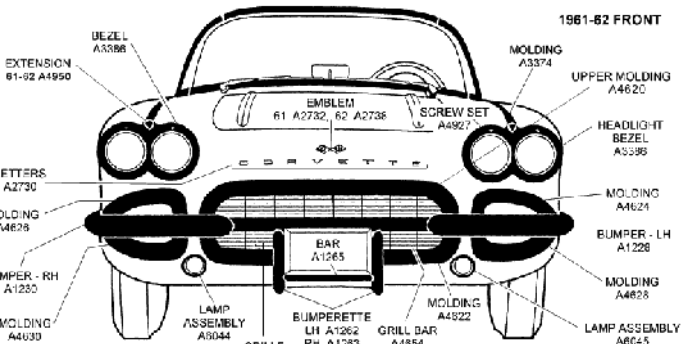
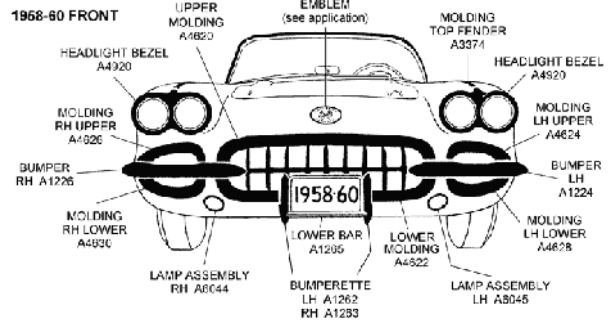
- A5846 56-57 CATCH/BRACKET - glove box lock, on body23.95
- A5833 56-62 CLIP - glove box separator, lower/upper moldings (ea)16.85
- A5800 56-62 CLIP - seat separator molding, above & below glove box (8 req) (ea)3.90
- A5886 56-62 CLIP SET/RETAINER - glove box moldings (4 pc)12.70
- A0804 56-62 DOOR - glove box/metal95.00



- A0784 56-62 GLOVE BOX ASSEMBLY-fiberglass/3pc229.00
- A5863 56-62 GLOVE BOX MOLDING & FASTNER KIT - 6 moldings & all the clips and fasteners needed to install them208.95
- A0785 56-62 HINGE - glove box47.25
- A5815 56-62 MOLDING - above glove box door, LH32.55
- A5817 56-62 MOLDING - above glove box door, RH32.55
- A5820 56-62 MOLDING - below glove box, LH29.95
- A5821 56-62 MOLDING - below glove box, RH29.95
- A5818 56-62 MOLDING - glove box door, LH46.95
- A5819 56-62 MOLDING - glove box door, RH46.95
- A5805 56-60 MOLDING - seat back, on deck lid, LH, (original, used)195.00
- A5807 56-60 MOLDING - seat back, on deck lid, RH, (original, used)195.00
- A5811 61-62 MOLDING - seat back, on deck lid, LH, (original, used)195.00
- A5813 61-62 MOLDING - seat back, on deck lid, RH, (original, used)195.00
- A5868 56-62 PUSH BUTTON - deck lid opening21.40
- A5864 56-62 RETAINER KIT - 2 moldings, deck lid, 8 clips/screws46.75
- A5878 58-62 SCREW - glove box door catch9.65
- A5877 56-62 SCREW, NUT & WASHER KIT - glove box door hinge & molding clips (26pc)6.15
- A5890 56-62 STOP - rubber, glove box door on body6.40

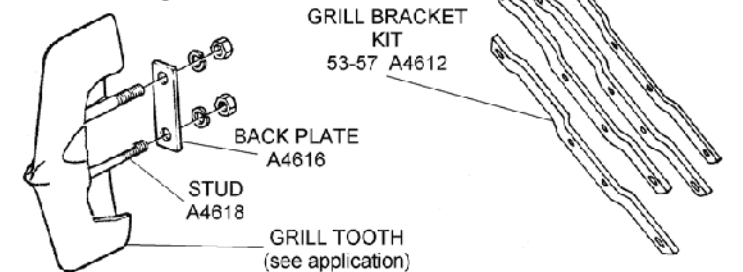
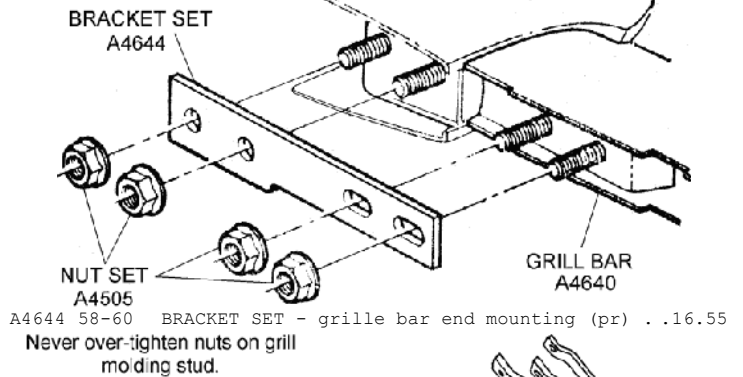


GRILLE & GRILLE AREA



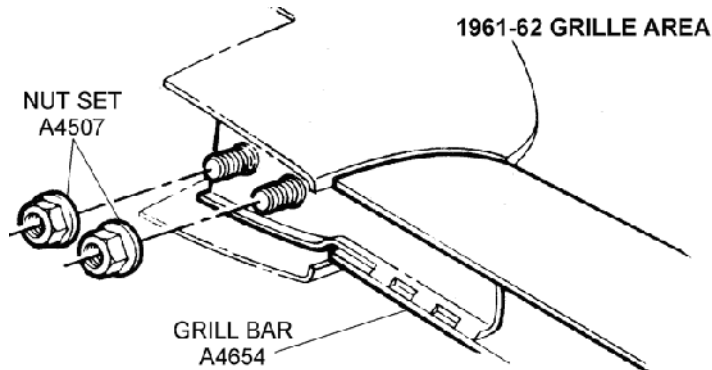
- A4616 53-60 BACKPLATE - grille teeth2.25
- A4661 58-62 BOLT SET - grille panel support rod, 'TR' head mark (pr)6.75

1958-60 GRILLE AREA

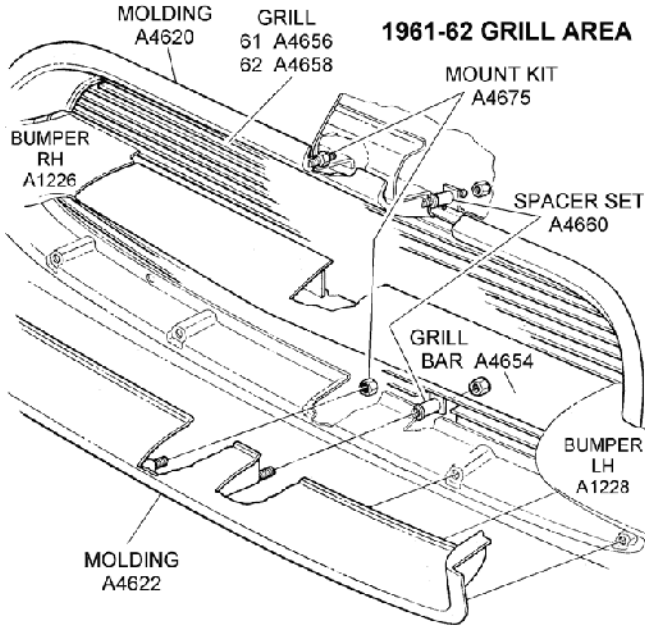


- A4612 53-57 BRACKET SET - grille mounting (5 pc)44.50
- A0904 58-62 BRACKET SET - nose support rods, w/rivets (pr)14.95
- A0656 53-62 CLIP & SCREW SET - wire harness/cables to inner fender/short (1-1/4' OL) (6 req) (ea)2.00
- A0657 53-62 CLIP & SCREW SET - wire harness/cables to inner fender/long (1-5/8'OL) (14 req) (ea)2.00
- A4610 53-57 GRILLE - bar205.00
- A4640 58-60 GRILLE - bar107.40

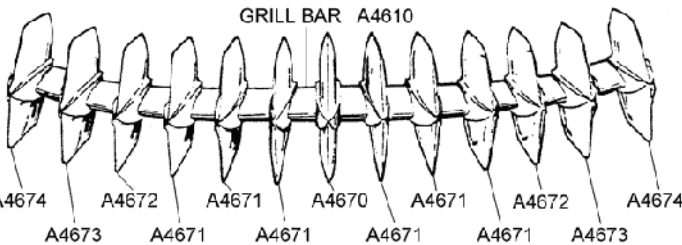
Quality - Service - Price
We have it all. Give us a call.



A4654	61-62	GRILLE - bar	103.95
A4656	61	GRILLE - clear anodized aluminum	389.00
A4658	62	GRILLE - black anodized	419.00

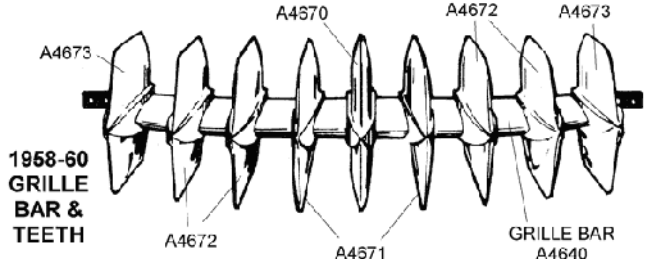


A4604	53-57	GRILLE ASSEMBLY - (w/bar, teeth, back plates, bar mounting brackets) complete	418.95
-------	-------	---	--------



A4601	53-57	GRILLE ASSEMBLY - complete (includes: grill oval - A4602 & grill assembly - A4634)	1,229.00
A4634	58-60	GRILLE ASSEMBLY - complete (w/bar, teeth, studs, back plates, Bar mounting brackets)	265.00
A4602	53-57	MOLDING - grille, oval / chrome plated / stamped brass	1,129.00
A4622	58-62	MOLDING - grille, lower center/main, chrome	499.95
A4620	58-62	MOLDING - grille, upper/main center, chrome	464.95
A4628	58-62	MOLDING - lower outer, below bumper, LH	64.95
A4624	58-62	MOLDING - upper outer, above bumper, LH	64.95
A4626	58-62	MOLDING - upper outer, above bumper, RH	64.95
A4630	58-62	MOLDING - lower outer, below bumper, RH	64.95
A4632	58-62	MOLDING KIT - grille (6 pc, 2 main, 4 outer) w/mount kit	1,050.00
A4675	58-62	MOUNT KIT - grille moldings, nut & washer (84 pc)	6.40
A4657	53-57	MOUNT KIT - grille oval, retainer plate set	25.50
A4614	53-57	MOUNT KIT - grille teeth (13 backing plates, 26 studs)	36.95
A4642	58-60	MOUNT KIT - grille teeth (9 backing plates, 18 studs)	24.95
A4505	58-60	NUT SET - grille bar to bumper (8 pc)	2.25
A4507	61-62	NUT SET - grille bar to bumper (4 pc)	1.25
A0900	58-62	ROD SET - nose support (pr)	24.95
A4660	62	SPACER SET - grille (8 pc)	12.00
A4618	53-60	STUD - grille teeth (ea)	1.50
A4611	53-57	STUD SET - grille oval molding	15.75
A4674	53-57	TOOTH - grille (ea)	24.00

A4670	53-60	TOOTH - grille (ea)	24.00
-------	-------	---------------------	-------



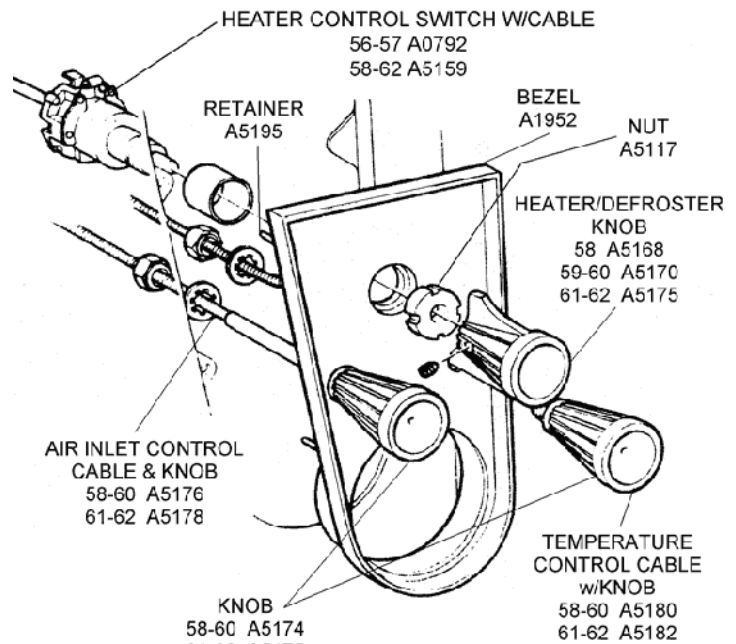
A4671	53-60	TOOTH - grille (ea)	24.00
A4672	53-60	TOOTH - grille (ea)	24.00
A4673	53-60	TOOTH - grille (ea)	24.00
A4606	53-57	TOOTH KIT - grille, w/mount kit	249.00
A4636	58-60	TOOTH KIT - grille, w/mount kit	170.00

HEATER

Controls

A1952	58-62	BEZEL/PLATE - heater controls & clock, chrome	119.20
A5176	58-60	CABLE - air inlet control w/knob	59.95
A5178	61-62	CABLE - air inlet control w/knob	71.20
A5180	58-60	CABLE - temperature control w/knob	71.20
A5182	61-62	CABLE - temperature control w/knob	71.20
A5129	58-62	CLIP - heater defroster cable	2.25

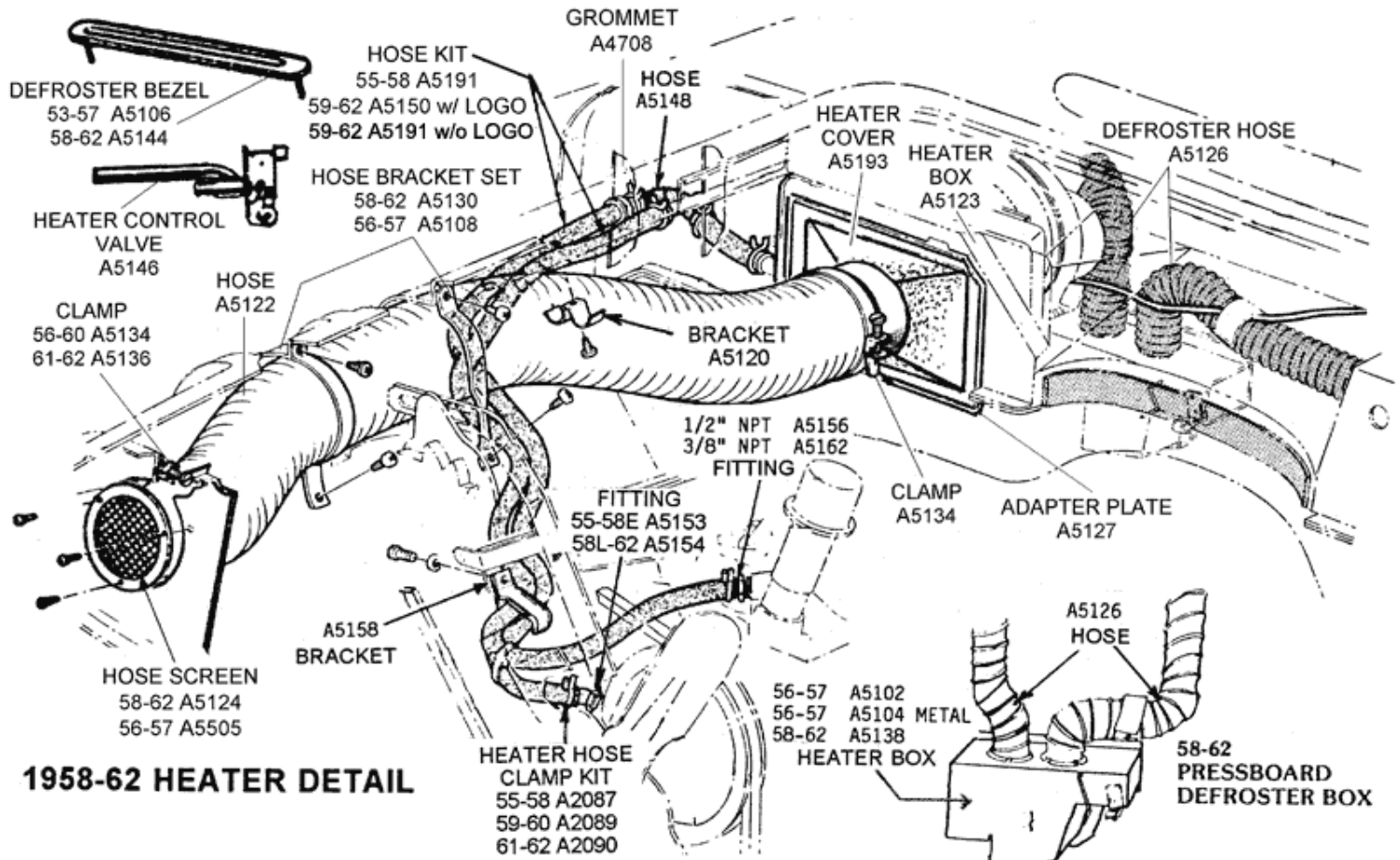
1958-62 HEATER CONTROL



A5174	58-60	KNOB - air inlet or temperature control cable knob	21.00
A5175	61-62	KNOB - air inlet or temperature control cable knob	19.65
A5168	58	KNOB - heater switch & defroster control	23.65
A5170	59-60	KNOB - heater switch & defroster control	23.65
A5172	61-62	KNOB - heater switch & defroster control	28.25
A5105	58	KNOB SET - heater controls (3 pc)	53.70
A5133	59-60	KNOB SET - heater controls (3 pc)	44.85
A5137	61-62	KNOB SET - heater controls (3 pc)	58.40
A5117	58-62	NUT - heater control switch	17.70
A5195	58-62	RETAINER (flat speed nut) - heater control bezel (4 req), (ea)	137.60
A0791	58-62	SPACER - heater switch	7.60
A0792	55-57	SWITCH & CONTROL - heater & defroster,	159.50
A5159	58-62	SWITCH & CONTROL - heater & defroster,	159.50

Defroster Heater Box, Ducts, Bezels & Related

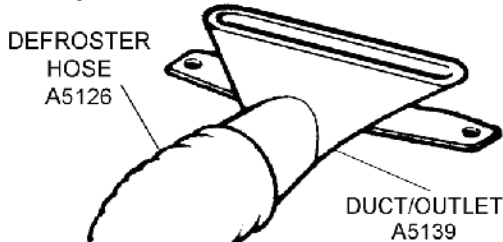
A5106	53-57	BEZEL - defroster outlet, chrome (ea)	21.55
A5144	58-62	BEZEL - defroster outlet on upper dash (paint as required) (ea)	17.80
A5128	56-62	BRACKET - defroster hose support on defroster box	12.15
A5129	58-62	CLIP - heater defroster cable	2.25
A5102	56-57	DEFROSTER BOX W/HOSES - pressed board as original	221.45



1958-62 HEATER DETAIL

A5104	56-57	DEFROSTER BOX - metal [w/o hoses]	99.95
A5138	58-62	DEFROSTER BOX W/HOSES - pressed board, as original	159.95

A5153	55-58E	FITTING - water pump, lower, curved, 5/8"	18.50
A5520	56-62	FITTING/ADAPTER - heater hose, 1/2" to 3/8" N.P.T.	5.60
A5522	61-62	FITTING/ADAPTER - heater hose, 3/4" to 1/2" N.P.T.	7.00
A4708	56-62	GROMMET - firewall / heater hose thru firewall (2 req. 53-55) (1 req. 56-62)	5.00
A5122	56-62	HOSE - fresh air / cowl to heater	44.95
A5191	55-58	HOSE KIT - heater, ribbed style	43.50
A5150	59-62	HOSE KIT - heater, ribbed w/GM logo	50.95
A5198	56-62	PLATE - air block-off on radiator support extension, LH, for all except high horse power F.I. cars	22.35
A5505	56-57	SCREEN ASSEMBLY - fresh air inlet	74.80
A5124	58-62	SCREEN KIT - fresh air inlet, in front core support area, w/screws (1 or 2 req.), (ea), & all on RH/all w/o hi-perf fuel inj. 58-62 on LH	25.35
A2912	61-62	TIE STRAP KIT - wire harness, windshield wiper hose, and heater hose (10 pc)	23.50



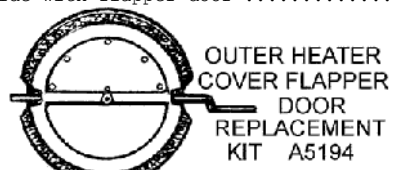
A5139	56-62	DUCT/OUTLET - defroster under dash, aluminum (reconditioned)	145.00
A5160	56-62	DUCT/OUTLET - defroster under dash, plastic reproduction	84.95
A5126	56-62	HOSE SET - defroster (2 pc) (does both sides)	34.40

Engine Compartment

A5108	56-57	BRACKET - fresh air hose	19.30
A5130	58-62	BRACKET SET - fresh air hose (pr)	16.90
A5120	56-62	BRACKET - heater hose, 'Y' type (gull wing), inner fender (53-55 2 req., 56-57 3 req., 58-62 1 req.) original steel material	12.25
A5165	56-62	BRACKET - heater hose, 'Y' type (gull wing), inner fender, SS	13.50
A5158	58-62	BRACKET - heater hose, on generator	14.60
A5134	56-62	CLAMP - fresh air hose / correct	18.05
A5136	61-62	CLAMP - fresh air hose / correct	36.10
A5132	56-62	CLAMP - fresh air hose (GM replacement)	9.95
A5142	59-62	ELBOW - heater hose to heater 3/4" to 5/8" hose, brass	15.75
A0795	56-58	ELBOW - heater hose to heater, brass	11.50
A2015	58-62	EXTENSION - at core support w/fresh air inlet hole, (metal) RH	69.65
A2012	58-62	EXTENSION - at core support w/fresh air inlet hole, (metal), LH	69.65
A5156	59-62	FITTING - heater hose, on intake manifold, 1/2" N.P.T.	12.95
A5162	56-62	FITTING - heater hose, on intake manifold, 3/8" N.P.T.	9.80
A5152	61-62	FITTING - top water pump fitting, 90 degree	19.05
A5154	58L-62	FITTING - water pump, lower, curved, 1/2" N.P.T.	16.85

Heater Assembly

A5177	55-62	BLOWER MOTOR - heater blower, w/plate & original fan, restored original	174.95
A5101	53-62	BLOWER MOTOR - RESTORATION & REBUILD SERVICE - your heater motor 6 or 12 volt	79.95
A5123	58-62	BOX - under dash heater (fiberglass)	110.00
A5121	56-62	BRACKET - defroster hose on defroster box (not included w/box)	13.20
A5151	58-62	CORE - heater	206.65
A5193	56-62	COVER ASSEMBLY - heater, engine compartment side with flapper door	175.70



A5194	56-62	DOOR KIT - outer heater cover, w/rod & seal	32.50
A5111	53-62	GASKET - heater blower motor to mounting plate	6.05
A5110	56-62	GASKET KIT - heater	20.00
A5148	58-62	HOSE - 90 degree control valve to heater core connector	13.00

A5135 58-62	MOUNT KIT - heater cable, for outer door cover, includes cable clamp & speed nut w/screws to hold cable to outer heater cover	2.55
A5184 56-57	PLATE - heater block-off, no heater car	89.95
A5186 58-59E	PLATE - heater block-off, no heater car	89.95
A5179 59L-62	PLATE - heater block-off, no heater car	89.95
A5127 56-62	PLATE - outer heater cover adapter	31.25
A0786 58-62	RETAINER/CLIP - heater cable (ea)	2.00
A0789 56-62	SCREW SET - heater defroster box to blower housing	3.50
A5113 56-57	SEAL KIT - heater valve	28.45
A5116 56-62	SEAL SET - heater hose at firewall	5.20
A5125 56-62	STUDS - w/rivets & nut kit, heater box	19.35
A0787 56-57	VALVE - heater control	71.35
A5146 58-62	VALVE - heater control	57.65

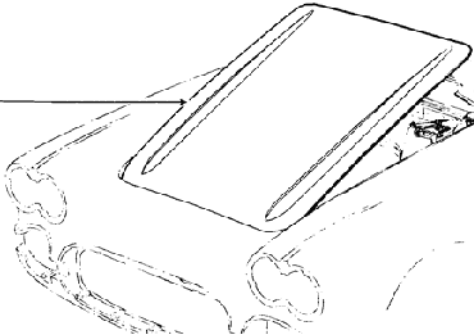
HOOD

Hood Assemblies - Fiberglass

A8457 53-55	HOOD ASSEMBLY - (HL) (hand layed) **drop shipped truck freight**	899.00
A8454 53-54	HOOD ASSEMBLY - HL (hand layed) **drop shipped truck freight**	554.25
A8515 56-57	HOOD ASSEMBLY - (HL) hand layed, white) **drop shipped truck freight**	787.50
A8516 56-57	HOOD ASSEMBLY - PM, white	695.00

HOOD ASSEMBLY

53-54 A8577
55 A8457
56-57 A8515
58 A8417
59 A8579
60 A8585
61-62 A8464



A8417 58	HOOD ASSEMBLY - HL (hand layed)	875.00
A8579 59	HOOD ASSEMBLY - PM, white	1,050.00

NOTE: 1959 and 1960 hoods are not interchangeable. The inner frame of the '60 hood is angled in the area above the radiator to provide clearance for the correct 1960 radiator support of hi-performance cars equipped with top tank radiator.

A8585 60	HOOD ASSEMBLY - PM, white	1,050.00
A8464 61-62	HOOD ASSEMBLY - PM, white	1,050.00

NOTE: PM = Press Molded. HL = Hand Layed. All hoods are shipped truck freight from our manufacturer. Orders must be prepaid! Also see Front Body / Fiberglass for other hood components.

Latches, Locks & Hinge Supports

A5206 53-57	BLOCK KIT - hood stabilizer, w/screws (pr) (53-55 replacement)	21.50
A5225 53-57	BOLT KIT - hood support, 8pc	4.85
A5237 56-57	BOLT KIT - hood support / 4 1/4x20x9/16 bolts & 4 lock washers, 8 pc	5.50
A5216 53-58	BOLT KIT - male hood lock attaching, 8 'C' head mark grade 5 bolts & 8 split & flat washers, 24 pc	7.65
A5270 58-59	BOLT & BUMPER KIT - hood adjusting, 2 bolts, 2 bumpers w/nuts	9.35
A5271 60-62	BOLT & BUMPER KIT - hood adjusting (2 bolts & 2 .. bumpers)	9.35
A5250 53-57	BOLT SET - female hood lock, 'TR' head mark (8 req.) (2 pc)	7.75
A5200 53-57	BOLT SET - hood hinge to hood 'WB-1C' head mark (4 pc)	9.00
A5213 58-62	BOLT SET - hood hinge to hood, '3' dot head mark (10 pc)	22.00
A5222 53-59	BOLT SET - hood locks, 'TR' head mark (used for 53-58E male & 58-62 female hood locks) (6 pc)	5.95
A5242 58-62	BOLT SET - hood locks, female, 'TR' head mark (pr)	6.75
A5247 58-62	BOLT SET - male hood locks, indented hex w/'C' head mark (58 only w/5/16x18 holes in hood) (6 pc)	14.00
A5210 53-62	BUMPER SET - hood stop bolt adjuster, rubber (pr)	4.95
A5208 56-57	CABLE ASSEMBLY - hood latch release, w/bracket	140.10
A5234 58-62	CABLE ASSEMBLY - hood release, w/handle & nut	84.05
A5257 53-57	CLIP - hood release cable to firewall (2 req) (ea.)	11.00

A4716 58-62	GROMMET SET - hood release cable (pr) (A4716 comes without a hole. Cable is pushed through it.)	7.00
A5219 53-57	HINGE SET - hood (pr)	353.60

Our 1958-62 Hood Supports and Hood Hinges have the correct lock washers.

Early 1958 hood support was located on the RH side (mounted to radiator support) until February 1958 when it was changed to the left side.

AIR DAM SEAL
59-60 A5707
Seal A5707 was only used on '59's after serial #3500.

HOOD HINGE
58-62 LH A5233
58-62 RH A5232

HINGE BOLT KIT
A5213

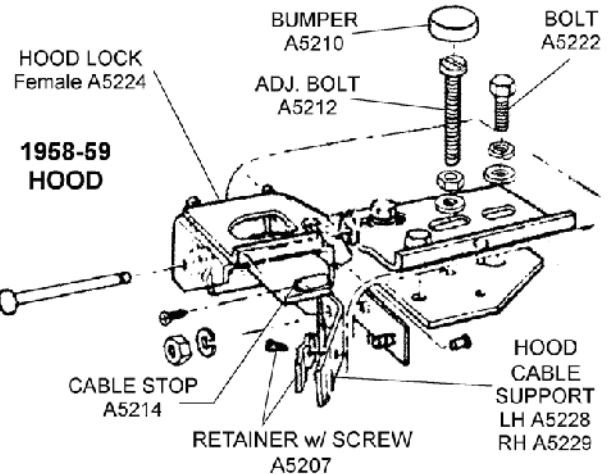
HOOD SUPPORT
53-57 A5245
58E A5201
58L-62 A5230

SCREW SET
A5231

A5233 58-62	HINGE - hood, LH	27.25
A5232 58-62	HINGE - hood, RH	27.25
A5201 53-57	HOOD SUPPORT	81.25
A5245 58E	HOOD SUPPORT - mounted, RH	79.75
A5230 58L-62	HOOD SUPPORT - mounted, LH	70.45

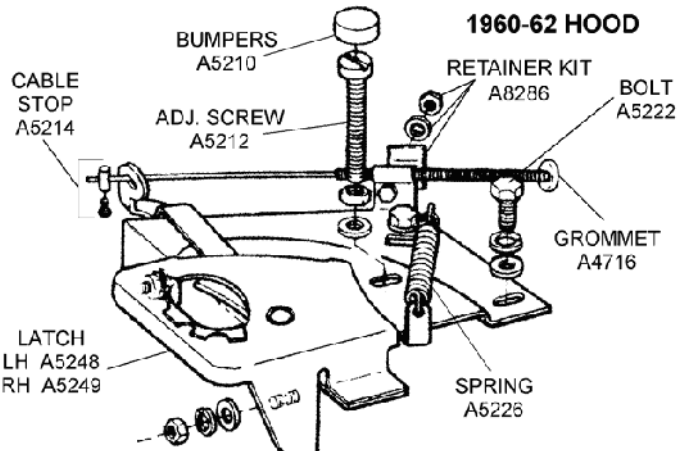
NOTE: Early 1958 hood support was located on the RH side (mounted to radiator support) until February 1958 when it was changed to the left side.

A5251 53-57	LEVER - female hood lock, LH	33.60
A5252 53-57	LEVER - female hood lock, RH	33.60
A5285 58E	LEVER - female hood lock, short, LH or RH, (used approximately thru 12/1/57)	21.70
A5221 58L-59	LEVER - female hood lock, LH or RH	21.30



1958-59
HOOD

A5224 58-59	LOCK ASSEMBLY - female, hood (2 req. ea)	71.75
-------------	---	-------

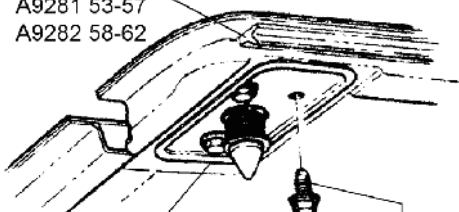


1960-62 HOOD

A5248 60-62	LOCK ASSEMBLY - female, hood, (on firewall), (restored, original) LH	175.00
-------------	--	--------

- A5249 60-62 LOCK ASSEMBLY - female, hood, (on firewall), (restored, original) RH175.00
- A5280 53-57 LOCK ASSEMBLY - female, hood, LH (on firewall)92.10
- A5281 53-57 LOCK ASSEMBLY - female, hood, RH (on firewall)99.45

HOOD LEDGE WEATHER STRIP
 A9281 53-57
 A9282 58-62

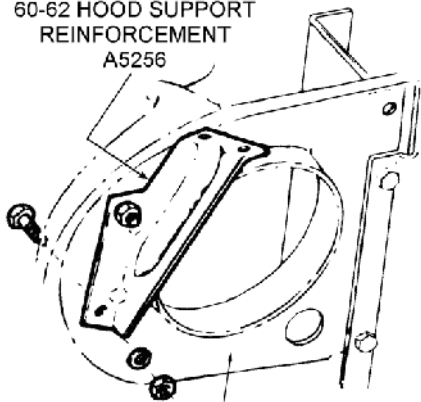


MALE HOOD LOCK ASSY.
 58-59 A5220
 60-62 A5223

BOLT SET
 A5211

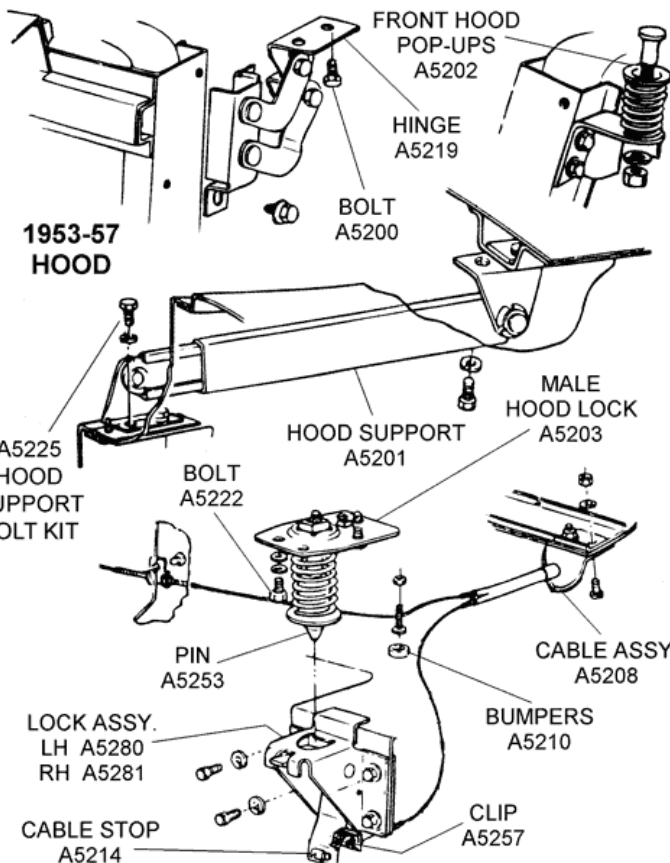
- A5220 58-59 LOCK ASSEMBLY - male, hood (2 req. ea.)71.50
- A5223 60-62 LOCK ASSEMBLY - male, hood (2 req. ea.)65.00
- A5203 53-57 LOCK SET - on latch hood, male (pr)78.45
- A5236 58-62 NUT & WASHER - hood release cable3.25
- B5207 53-62 PIN - hood support, prevents hood from closing in the wind8.10
- A5272 58-59 PIN - hood lock / male, each15.95
- A5238 59L-62 PIN - hood lock / male, each16.35
- A5202 53-57 POP-UP SET - hood, front (pr)84.05

60-62 HOOD SUPPORT REINFORCEMENT
 A5256

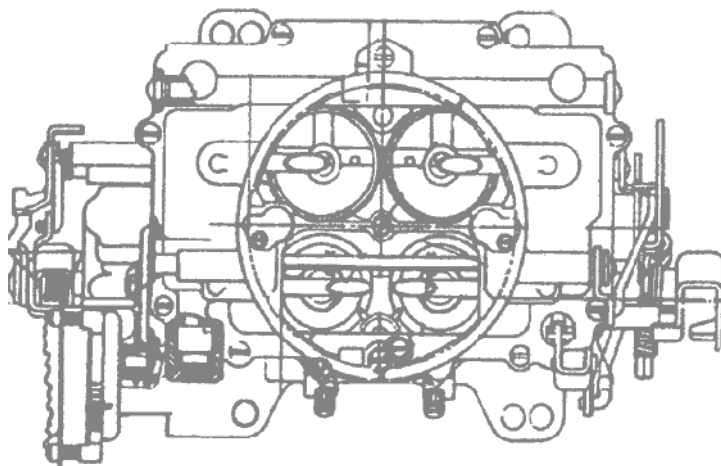


CORE SUPPORT EXTENSION
 A2012 LH
 A2015 RH

- A5256 60-62 REINFORCEMENT - hood support (on inner fender)31.75
- A2500 53-57 REPAIR KIT - female hood lock (spring, pin & clip) (does one lock)12.00
- A2501 58-59 REPAIR KIT - female hood lock (spring, pin & clip) (does one lock)12.00
- A5217 53-62 REPAIR KIT - hood support, semi-tubular rivet & spring washer5.00
- A8286 60-62 RETAINER & SCREW KIT - hood release cable on female hood catch (8pc)10.95



- A5207 58-59 RETAINER & SCREW KIT - hood release cable to female latch (4pc)10.50
- A5209 53-57 RETAINER/CLIP - hood release cable on firewall (4 req., ea)4.00
- A5227 53-57 RETAINER/CLIP - hood release cable, on firewall (4 pc) (does not include Part A5665) 14.00
- A5214 53-62 RETAINER/STOP/GUIDE - hood release cable, w/clutch head screw (pr)6.00
- A5218 53-62 SCREW SET - cable guide, clutch head (pr)1.15
- A5215 56-57 SCREW SET - hood stabilizer blocks (4 pc)2.65
- A5231 58-62 SCREW SET - hood support, clutch head (8 pc)3.65
- A5707 59-60 SEAL/AIR DAM - hood, front (after 1959 serial #3500)33.80
- A5118 60-62 SEAT - male hood lock spring7.25
- A5226 58-59 SPRING - female hood lock (ea)11.75
- A5235 53-57 SPRING - hood pop up, ea18.40
- A5241 60-62 SPRING - male hood lock (ea)8.25
- A5204 53-57 SPRING SET - female hood lock (pr)13.00
- A5240 60-62 SPRING SET - female hood lock tension (pr) ...9.00
- A5228 58-59 SUPPORT - hood cable, w/clamp and screw, near female latch, LH18.45
- A5229 58-59 SUPPORT - hood cable, w/clamp and screw, near female latch, RH18.45



ORDER BY PHONE:

1-800-872-2446



ORDER BY FAX:

708-458-2662

TECHNICAL QUESTIONS:

708-458-2500



CUSTOMER SERVICE:

708-458-6577

QUESTIONS ABOUT YOUR ORDER:

708-458-2500

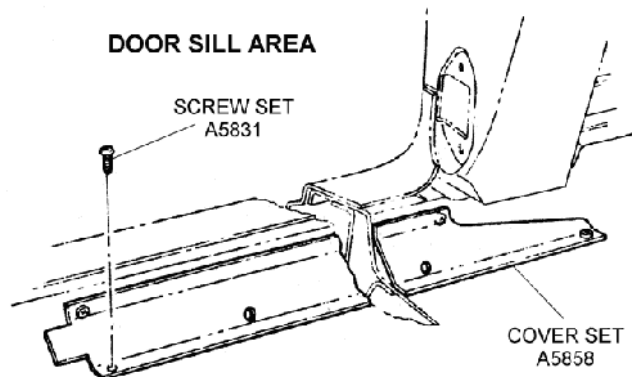
INTERIOR

Carpet Related Accessories

INTERIOR COLOR CODES		
YEAR	COLOR	CODE
1953	BLACK (trunk)	BLK
	RED	RED
1954	BEIGE	BEG
	BLACK (trunk)	BLK
1955	BLACK (trunk)	BLK
	DARK BEIGE	DBE
	LIGHT BEIGE	LBE
1956	BEIGE	BEG
	BLACK (trunk)	BLK
	RED	RED
1957	BEIGE	BEG
	BLACK (trunk)	BLK
1958	BLACK	BLK
	CHARCOAL	CHL
	RED	RED
	SILVER BLUE	SBU
1959	BLACK	BLK
	FROST BLUE	FRB
	RED	RED
	TURQUOISE	TUR
1960	BLACK	BLK
	FROST BLUE	FRB
	RED	RED
	TURQUOISE	TUR
1961	BLACK	BLK
	FAWN BEIGE	FBE
	JEWEL BLUE	JBL
	RED	RED
1962	BLACK	BLK
	FAWN BEIGE	FBE
	RED	RED
	WHITE (hardtop)	WHT

A5849 53-62 BARRIER KIT - heat, pre-cut, reduces interior temperature up to 50%, 1/8" thick . 109.95

DOOR SILL AREA



A5858 58-62	COVER SET - wire harness floor plates, under carpet along sill plate, Stainless Steel (pr)	47.10
A5667 53-62	GROMMET - dimmer switch, correct, rubber	11.00
A1956 58-62	MOLDING - lower center console at carpet, chrome	41.50
A5641 53-62	PADDING - carpet underlay, (sound deadener) .	82.80
A5891 58-62	PLUG SET - floor pan, under carpet (2 pc) . . .	5.00
A3439 58-62	SCREW & WASHER KIT - carpet trim (4 pc)	3.50
A5831 58-62	SCREW SET - wire cover floor plates (8 pc) . . .	2.65

Carpet Sets

A5633 53-55	CARPET SET - low loop	309.00
A5635 56-57	CARPET SET - Daytona weave, correct, original type	475.00
A5634 56-57	CARPET SET - Daytona weave (replacement) . . .	289.00

NOTE: The 56-59 replacement Daytona weave listed is the correct pattern and color. Not 100% correct for N.C.R.S. type show cars, but very high quality replacement for the cost.

A5636 58-59	CARPET SET - Daytona weave, correct, original type	415.00
A5637 58-59	CARPET SET - Daytona weave (repl.)	299.00
A0797 58-60	CARPET SET - 80/20 replacement	209.95
A5639 59L-60	CARPET SET - salt and pepper	219.95
A0798 61-62	CARPET SET - 80/20 replacement	169.95
A5640 61-62	CARPET SET - salt and pepper	239.00

NOTE: 1961-62 black salt & pepper carpet sets were originally black & olive green. Our black carpet is an exact match of this unusual color blend.

Dash

Center - Heater Console, Radio, Speaker

A1952 58-62	BEZEL/PLATE - heater controls & clock, chrome	119.20
A5810 58-62	HOUSING, BEZEL & LENS - courtesy light	47.10
A2183 53-57	KNOB - heater	45.00
A5816 58-62	LENS & GASKET - courtesy light	12.05
A5814 58-62	LIGHT ASSEMBLY - courtesy, w/socket and wire	18.50
A1956 58-62	MOLDING - lower center console at carpet, chrome	41.50
A1915 58-62	MOLDING W/SCREWS- upper center console on dash pad, lower edge, stainless steel	44.95
A1907 58-62	MOUNT KIT - courtesy light, screws & 'J' nuts (4 pc)	2.30
A1950 58-62	PANEL/CONSOLE - fiberglass around radio/heater control bezel	108.95
A6071 53-62	SCREW SET - courtesy light switches, (4 pc) . . .	2.60
A1958 58-62	SCREW SET - upper & lower console trim (10 pc)	4.95
A9957 58-62	SOCKET - courtesy light, w/wires	15.65

Dash Pads & Overall Dash Area

A5804 53-57	BASE & SOCKET - courtesy light assembly, (base, harness, bezel, and lens (pr)	121.40
A5806 53-57	BEZEL - courtesy light, w/lens (pr)	45.95
A5144 58-62	BEZEL - defroster outlet on upper dash (paint as required) (ea)	17.80
A5106 53-57	BEZEL - defroster outlet, chrome (ea)	21.55
A5655 53-55	COVER - dash rail	39.95
A5656 56-57	COVER - dash rail	39.95
A5676 58	COVER - grab bar (specify color)	29.00
A5677 59-62	COVER - grab bar (specify color)	24.00
A5950 58	DASH PAD - pebble grain (specify color) . . .	549.00
A5658 59-62	DASH PAD - black or red/specify color	399.95
A5859 59-62	DASH PAD - fawn, frost blue or turquoise (specify year & color)	579.00

A2148 59-62	END CAP - dash, LH	17.95
A2150 59-62	END CAP SET - dash, RH & LH, pair	39.95
A5808 56-57	LENS - courtesy light (pr)	8.00
A8578 53-57	PANEL - lower dash fiberglass w/o metal . . .	260.00

A5963 53-57 RAIL - dash, w/cover installed, fiberglass

	(specify color)	251.00
A2152 58-62	SCREW SET - dash end caps (4 pc)	2.50
A2134 58-62	SCREW SET - grab bar end caps (4 pc)	2.50
A2199 58-62	SCREW SET - grab bar retainer, clutch head (4 pc)	9.95
A2162 58-62	SCREW SET - heater cover/package tray support (6 pc)	4.65

Left Hand - Instrument Cluster & Parking Brake

A2110 58-62	BACKING PLATE - ignition indicator bezel	14.50
A2108 58-60	BACKING PLATE KIT - dash indicator bezel, (4 pc)	31.35
A2104 56-57E	BEZEL - ignition, w/chrome backplate	14.50
A2106 57L	BEZEL - ignition, w/o chrome backplate	10.95
A2102 53-57	BEZEL - steering column w/parking brake light hole	68.95
A2174 61-62	BEZEL KIT - dash, behind switches, aluminum, (3 pc)	44.95
A2198 58-62	BOLT SET - dash cluster housing to dash, 'c' head mark, (5 pc)	5.45
A2197 58-62	BOLT SET - speedometer upper dash housing to lower small gauge cluster housing, (3pc)	3.45
A6035 60-62	BULB - parking brake alarm (flashing)	2.20
A2193 56-62	ELEMENT - cigarette lighter	7.95
A2169 58-62	FASTENER KIT - speedometer to dash cluster (3pc)	3.85
A2195 53-57	HANDLE - parking brake	36.00
A1310 58-62	HANDLE - parking brake, w/black letters	42.25
A1311 58-62	HANDLE - parking brake, w/white letters	42.25
A2158 58-62	HOUSING - cigarette lighter in dash w/light & wire	29.00
A2121 58-60	HOUSING SET - upper & lower, dash cluster, used original, (2 pc)	795.00
A2124 61-62	HOUSING SET - upper & lower, dash cluster, used original, (2 pc)	795.00
A7525 56-57	KNOB & ROD - power top switch	41.00
A5834 53-62	KNOB - cowl vent handle	16.85
A2125 56-57	KNOB - headlight switch	24.75
A2105 58-60	KNOB - headlight switch, w/rod	26.00
A2107 61-62	KNOB - headlight switch, w/rod	27.85
A2132 56-57	KNOB - wiper switch	24.50
A2109 58-60	KNOB - wiper switch, w/o windshield washers	23.95
A2111 58-60	KNOB - wiper switch, w/windshield washers (w/push button)	35.90
A2117 61-62	KNOB - wiper switch w/washers (button) w/shaft, used	20.00

NOTE: A2125, A2132 and A2133 are die-cast. Customer must paint rear of knob black to replicate original.

A2100 58-62	LENS/FILTERS - brake/beam dash bulbs (pr)	24.95
A2101 58-62	LENS/FILTERS - dash turn signal blinker, green, (pr)	4.95
A5830 53-60	LEVER - turn signal, w/jamb nut	20.00
A7950 61-62	LEVER - turn signal, w/jamb nut	20.90
A2154 58-60	LIGHTER - cigarette, w/element	32.00
A2172 61-62	LIGHTER - cigarette, w/element	29.95
A2118 58-60	NUT - headlight switch	12.85
A2120 61-62	NUT - headlight switch	15.45
A2116 60-62	NUT/BEZEL - ignition switch	14.60
A2122 58-60	NUT - wiper switch	12.00
A2123 61-62	NUT - wiper switch	9.95
A2112 56-59	NUT/BEZEL - ignition switch, locking	12.85
A2194 56-57	PLUG - parking brake flasher hole, chrome, (inserts in A2102)	6.40
A2113 58-62	SCREW SET - dash housing to dash (5 pc)	4.10
A2171 53-60	SCREW SET - for stainless steel serial number plate on LH hinge pillar (2 pc)	3.15
A2115 53-62	SHIELD - cigarette lighter bulb	11.40
A2156 58-60	SPACER - cigarette lighter, chrome, (included w/lighter)	7.35
A2114 58-62	SPACER/FERRULE - ignition switch	11.95
A2180 53-57	SPRING - emergency brake jewel	7.95
A2182 61-62	WRENCH - headlight & wiper switch nut removal	11.95
A2179 60-62	WRENCH - ignition switch nut	7.95

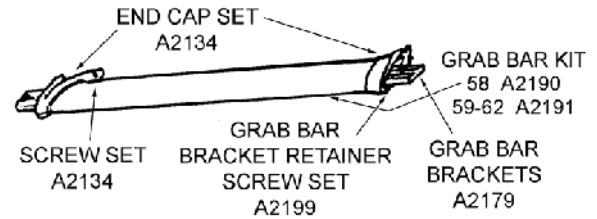
Right Hand - Dash Insert, Grab Bar, Package Tray, Speaker

A2138 60-62	BARS/EMBLEM SET - red & blue colored, for dash insert, w/nuts (pr)	39.00
A2178 58-62	BRACKET SET - grab bar end mounting (pr)	39.10
A2168 59-62	BRACKET SET - package tray (3pc)	9.95
A2275 58	DASH INSERT ASSEMBLY - white lettering / includes aluminum insert, stainless trim & backing	221.00
A2276 59	DASH INSERT ASSEMBLY - black lettering / includes aluminum insert, stainless trim & backing	221.00
A2277 60-62	DASH INSERT ASSEMBLY - black lettering / includes aluminum insert w/bars, stainless trim & backing	244.00
A2128 58	DASH INSERT - behind grab bar/passenger	

A2136 59	DASH INSERT - behind grab bar/passenger side/aluminum	59.00
A2151 60-62	DASH INSERT W/BARS INSTALLED - behind grab bar/passenger side/aluminum	89.95
A2137 60-62	DASH INSERT W/PREPUNCHED HOLES FOR BARS - behind the grab bar/passenger side/aluminum	59.00
A2131 58-62	DASH INSERT RESTORATION SERVICE (60/2 INSERT BARS ARE EXTRA)	165.00

NOTE: Dash Insert Restoration Service. Send in your old dash insert assembly. We will refinish the housing and stainless steel trim and install a new aluminum insert (new bars installed on 1960-62 insert for an additional \$35.60).

A2126 58-62	END CAP SET W/SCREWS - grab bar ends/chrome	59.00
-------------	---	-------



A2130 58	GRAB BAR - w/cover installed (specify color)	89.95
A2190 58	GRAB BAR KIT - w/ A2130, A2176, A2178, A2126, A2134 (specify color)	166.95
A2140 59-62	GRAB BAR - w/cover installed (specify color)	89.85
A2191 59-62	GRAB BAR KIT - w/ A2140, A2176, A2178, A2126, A2134 (specify color)	166.95
A2165 58-62	MOUNT KIT - dash insert housing, (15pc)	3.50
A2176 58-62	NUT & SCREW KIT - grab bar retainer	19.95
A2164 58-62	PACKAGE TRAY - white fiberglass, press-molded	65.00
A2127 58	RESTORATION SERVICE - dash insert	139.95
A2166 59-62	SCREW KIT - package tray installation (19pc)	8.40
A2134 58-62	SCREW SET - grab bar end caps (4 pc)	2.50
A2199 58-62	SCREW SET - grab bar retainer, clutch head (4 pc)	9.95
A2162 58-62	SCREW SET - heater cover/package tray support (6 pc)	4.65
A2160 58-62	SUPPORT & HEATER COVER - package tray support, fiberglass, Press molded	124.95
A2170 59-62	TRIM - package tray edge (stainless steel)	19.00

Deck Lid

A7552 56-62	SCREW SET - convertible top tabs (8 pc)	3.35
A5675 56-62	SNAP SET - convertible top tab, on body (2 pc)	3.25
A5614 56-57	TAB SET - convertible top, slider type (pr) (specify color)	35.00
A5671 56-57	TAB SET - convertible top, snap type (pr) (specify color)	35.00
A5686 58	TAB SET - convertible top, slider type (pr) (specify color)	48.00
A5672 58	TAB SET - convertible top, snap type (pr) (specify color)	48.00
A5631 59-62	TAB SET - convertible top, slider type (pr) (specify color)	36.00
A5673 59-62	TAB SET - convertible top, snap type (pr) (specify color)	36.00

NOTE: Slider type fasteners are correct for 1956-62's.

Door Panel Arm Rests

A5601 58	ARM REST SET - complete (specify color) (pr)	269.99
A5602 59-61	ARM REST SET - complete (specify color) (pr)	259.99

NOTE: A5601 and A5602 include chrome ends, arm rest base, fasteners and cover installed.

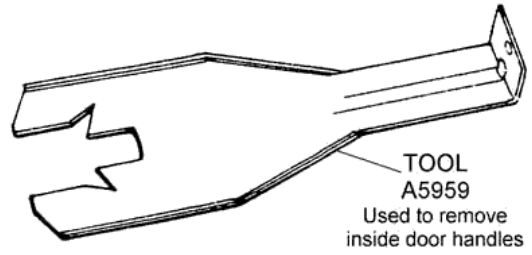
A5603 58-61	ARM REST SET - complete - less covers/unassembled (pr)	176.95
A5605 62	ARM REST ASSEMBLY - complete w/cover, (specify color) ea, LH or RH, 2 required	65.00
A5956 58-61	BASE SET - arm rest, plastic (pr)	59.95
A5958 62	BASE SET - arm rest, chrome (pr)	39.00
A5678 58	COVER SET - arm rests (pr)	40.00
A5679 59-61	COVER SET - arm rests (pr)	24.00
A5680 62	COVER SET - arm rests (pr)	11.95
A5954 58-61	END SET - arm rest, chrome w/screws (pr)	118.35
A5610 62	SCREW SET - arm rest pad to chrome bases (4 pc)	2.75
A5961 58-61	SCREW SET - arm rest to door (6 pc)	4.40
A5962 62	SCREW SET - arm rest (4 pc)	3.75

Door Panel Assemblies, Deluxe 1956-62 With Trim

You can order your 56-62 door panels completely assembled and ready to install. These door panels come complete (where applicable) with all trim, sheet metal, reflectors, bezels, & uppers installed. Arm rests not included.

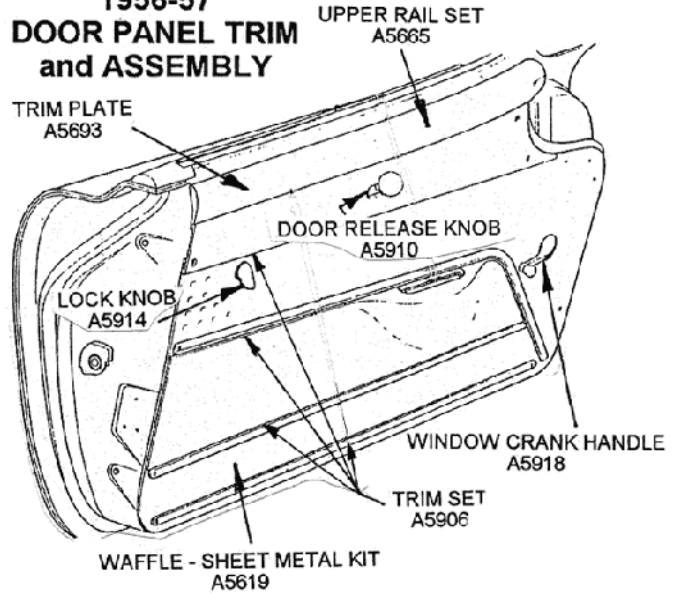
A1942 53-61E	ASHTRAY - in door panel, (2 req), (ea)	38.25
A5904 53-55	BEZEL - ashtray bezel, in door panel	12.60
A5900 53-55	BEZEL SET - door open control, pr	54.95
A5946 58-61	BEZEL SET - door open, on door panel, pr	22.95
A5948 62	BEZEL SET - door open, on door panel, pr	16.95
A5901 56-57	BRACKET - door pull cup support on arm rest	25.35
A5995 58-61	BRACKET KIT - door panel reflectors	12.85
A5996 62	BRACKET KIT - door panel reflectors	12.30
A5926 56-62	CLIP SET - window crank/lock knob retainer, 4pc	1.85
A5970 56-57	CUP - door pull (2 req., ea)	16.50
A5918 56-62	HANDLE - window crank	12.50
A5914 56-62	KNOB - door lock, inside	16.90
A5910 53-62	KNOB SET - door release, white (pr)	6.90
A5617 56-57	PANEL KIT - door, complete assembly w/chrome	1,489.00
A5695 58	PANEL KIT - door, deluxe, lower only (pr)	1,069.00
A5696 59	PANEL KIT - door, deluxe (pr)	1,059.00
A5697 60	PANEL KIT - door, deluxe (pr)	1,069.00
A5698 61	PANEL KIT - door, deluxe (pr)	1,069.00
A5699 62	PANEL KIT - door, deluxe (pr)	719.00
A5942 58-61	REFLECTOR SET - door panels, w/brackets & nuts	50.00
A5944 62	REFLECTOR SET - door panels, w/brackets & nuts	82.15
A5988 53-62	REPAIR KIT - door panel mounting (repairs oversize door panel screw holes in door)	28.60
A0799 56-58	RETAINER SET - front door upper rail (pr)	12.10
A5690 56-57	SCREW SET - door panel mounting (24 pc)	8.00
A5691 58-62	SCREW SET - door panel mounting, w/finish washers (26 pc)	7.25
A2644 56-62	SEAL SET - door panel regulator-window crank, foam (behind door panel) (2pc)	6.35
A5623 58	SHEET METAL KIT- door & kick panel inserts, pre-punched	285.00
A5626 59	SHEET METAL KIT- door & kick panel inserts, pre-punched	285.00
A5628 60	SHEET METAL KIT- door & kick panels & kick panel inserts, pre-punched	285.00
A5629 61	SHEET METAL KIT - door & kick panel inserts, pre-punched	309.00
A5619 56-57	SHEET METAL KIT- lower door & kick panel, waffle design (pr)	246.85
A2634 60-62	SHIELD SET - door open mechanism protector (pr)	6.00
A5922 56-62	SPACER/BEARING - window crank, plastic, (ea)	3.15
A2605 56-62	SPRING SET - window crank spacer (pr)	8.00
A5624 59-62	SUPPORT SET - upper door panel, metal (pr)	59.00
A5959 56-62	TOOL - window crank and door lock knob removal	5.65
A5693 56-57	TRIM PLATES - metal (unpainted) upper middle door panel (door knob passes thru) (pr)	201.75
A5906 56-57	TRIM SET - door panel, lower, stainless moldings (6 pc)	176.50
A5938 58-61	TRIM SET - door panels, 'S' type, around aluminum trim (does two door panels), (12 pc)	305.00
A5940 62	TRIM SET - door panel, stainless (does two door panels), (6 pc)	184.20
A5692 58-62	WASHER KIT - door panel, flush type (8 pc)	5.50
A5922 56-62	WASHER/SHIELD SET - interior door lock knob, plastic (pr)	3.15

A5691 58-62	SCREW SET - door panel mounting, w/finish washers (26 pc)	7.25
A2644 56-62	SEAL SET - door panel regulator-window crank, foam (behind door panel) (2pc)	6.35
A5619 56-57	SHEET METAL KIT- lower door & kick panel, waffle design (pr)	246.85
A5623 58	SHEET METAL KIT- door & kick panel inserts, pre-punched	285.00
A5626 59	SHEET METAL KIT- door & kick panel inserts, pre-punched	285.00
A5628 60	SHEET METAL KIT- door & kick panels & kick panel inserts, pre-punched	285.00
A5629 61	SHEET METAL KIT - door & kick panel inserts, pre-punched	309.00
A2634 60-62	SHIELD SET - door open mechanism protector (pr)	6.00
A5922 56-62	SPACER/BEARING - window crank, plastic, (ea)	3.15
A2605 56-62	SPRING SET - window crank spacer (pr)	8.00
A5624 59-62	SUPPORT SET - upper door panel, metal (pr)	59.00



A5959 56-62	TOOL - window crank and door lock knob removal	5.65
A5693 56-57	TRIM PLATES - metal (unpainted) upper middle door panel (door knob passes thru) (pr)	201.75

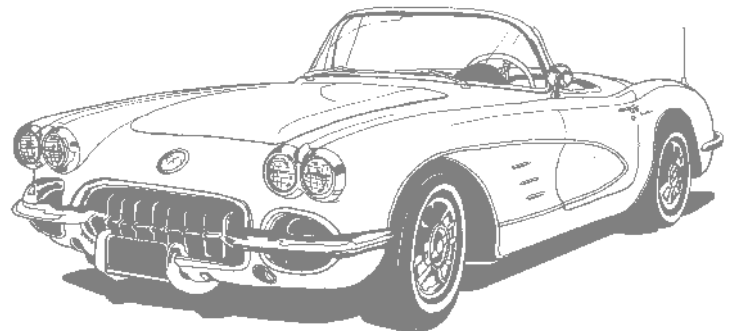
1956-57 DOOR PANEL TRIM and ASSEMBLY



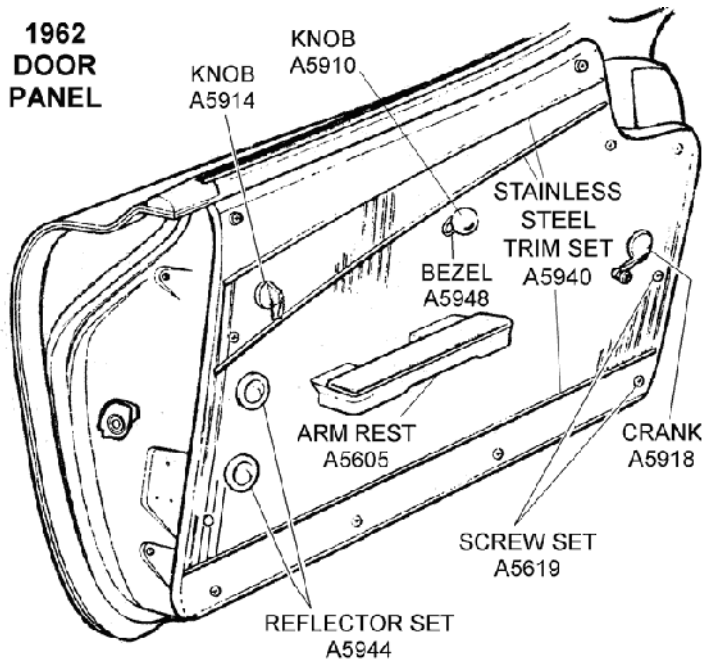
A5906 56-57	TRIM SET - door panel, lower, stainless moldings (6 pc)	176.50
A5938 58-61	TRIM SET - door panels, 'S' type, around aluminum trim (does two door panels), (12 pc)	305.00

Door Panel Trim & Accessories

A1920 53	ASHTRAY - in door panel	29.40
A1942 54-55	ASHTRAY - in door panel	38.25
A5904 53-55	BEZEL - ashtray bezel, in door panel	12.60
A5900 53-55	BEZEL SET - door open control, pr	54.95
A5946 58-61	BEZEL SET - door open, on door panel, pr	22.95
A5948 62	BEZEL SET - door open, on door panel, pr	16.95
A5901 56-57	BRACKET - door pull cup support on arm rest	25.35
A5995 58-61	BRACKET KIT - door panel reflectors	12.85
A5996 62	BRACKET KIT - door panel reflectors	12.30
A5926 56-62	CLIP SET - window crank/lock knob retainer, 4pc	1.85
A5970 56-57	CUP - door pull (2 req., ea)	16.50
A5918 56-62	HANDLE - window crank	12.50
A5914 56-62	KNOB - door lock, inside	16.90
A5910 53-62	KNOB SET - door release, white (pr)	6.90
A5942 58-61	REFLECTOR SET - door panels, w/brackets & nuts	50.00
A5944 62	REFLECTOR SET - door panels, w/brackets & nuts	82.15
A5988 53-62	REPAIR KIT - door panel mounting (repairs oversize door panel screw holes in door)	28.60
A0799 56-58	RETAINER SET - front door upper rail (pr)	12.10
A5690 56-57	SCREW SET - door panel mounting (24 pc)	8.00



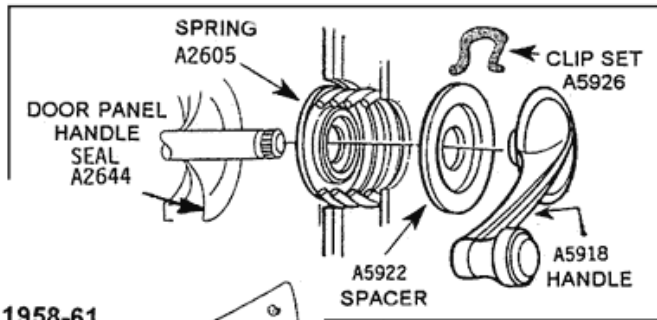
**1962
DOOR
PANEL**



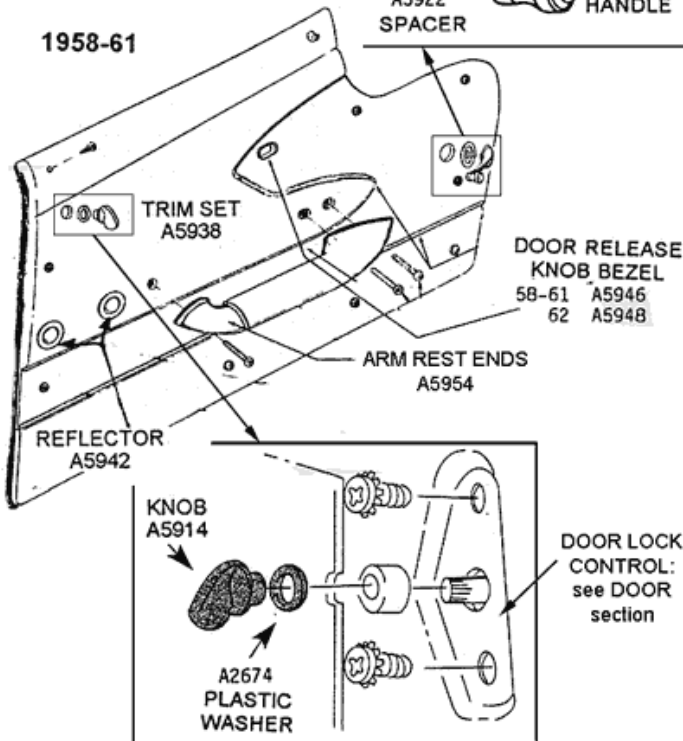
- A5940 62 TRIM SET - door panel, stainless (does two door panels), (6 pc)184.20
- A5692 58-62 WASHER KIT - door panel, flush type (8 pc) ...5.50
- A5922 56-62 WASHER/SHIELD SET - interior door lock knob, plastic (pr)3.15

Door Panels - Cardboard and/or Reinforcements

- A5615 53-55 PANEL KIT - door, vinyl covering (pr)269.00



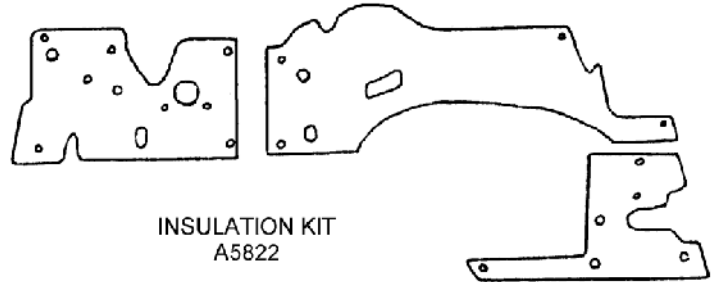
1958-61



- A5997 56-57 CARDBOARD KIT - door panel (pr)34.00
- A5616 56-57 PANEL KIT - door (lower) w/o chrome trim, vinyl mounted to arm rest and cardboard (pr) 675.00
- A5618 56-57 PANEL KIT - door, vinyl covering (pr)349.00
- A5620 58 PANELS - door (lower only) (pr)325.00

- A5785 58 PANELS - door, w/upper extension & metal w/trim installed (pr)995.00
- A5625 59 PANELS - door (pr)158.35
- A6215 59 PANELS - door, w/upper metal installed (pr) 274.00
- A5627 60-61 PANELS - door (pr)210.00
- A6216 60-61 PANELS - door, w/upper metal installed (pr) 279.00
- A5630 62 PANELS - door (pr)167.30
- A6217 62 PANELS - door, w/upper metal installed (pr) 289.00
- A5665 56-57 RAIL SET - upper door, padded steel w/trim (pr), specify color279.00
- A5622 58 PANEL SET - upper door metal only - pr115.00
- A5621 58 PANEL SET - upper door panel metal w/vinyl trim installed, pr194.00

Firewall Insulation



- A5828 56-62 FASTENER KIT - firewall insulation (12 pc) ..24.65
- A5827 53-55 INSULATION KIT - firewall, 6 cyl., w/o fasteners (3 pc)154.45
- A5829 55 INSULATION KIT - firewall, 8 cyl., w/o fasteners (3 pc)154.45
- A5822 56E INSULATION KIT - firewall, w/fasteners (3 pc)141.95
- A5823 56L-57 INSULATION KIT - firewall, w/fasteners (3 pc)141.95
- A5825 58-61 INSULATION KIT - firewall, w/fasteners w/F.I. (3 pc)154.45
- A5824 58-61 INSULATION KIT - firewall, w/fasteners w/o F.I. (3 pc)154.45
- A5869 58-61 INSULATION KIT - firewall, w/fasteners, w/heater delete224.95
- A5892 62 INSULATION KIT - firewall, w/fasteners w/o F.I. (3 pc)141.95
- A5826 62 INSULATION KIT - firewall, w/fasteners w/F.I. (3 pc)141.95
- A5840 53-62 TOOL - firewall insulation fasteners/plug installation7.35

Floor Mats

- A5632 56-59 FLOOR MAT SET - Daytona weave (pr)119.00
- A0800 56-59 FLOOR MAT SET - Daytona weave carpet w/embroidered logo (pr) specify color119.00
- A5604 58-62 FLOOR MAT SET - floor, 80/20 carpet, w/Corvette logo (pr)139.95
- A0802 58-62 FLOOR MAT SET - floor, 80/20 carpet, w/embroidered logo (pr)69.95
- A5662 58-62 FLOOR MAT SET - salt & pepper, w/Corvette logo (pr)96.60
- A0801 58-62 FLOOR MAT SET - salt & pepper, w/embroidered logo (pr)89.95

Head-Liners - Hard Top

- A5652 56-57 HEAD-LINER - hardtop / waffle pattern (specify color)399.00
- A5653 58 HEAD-LINER - hardtop / pebble grain pattern (specify color)399.00
- A5654 59-60 HEAD-LINER - hardtop (specify color)399.00
- A5998 61-62 HEADLINER - hardtop / white399.00

Interior - Miscellaneous

- G0005 53-62 ADHESIVE - trim, carpet, dash or pad brush-on, quart17.95
- G0007 53-62 ADHESIVE - trim, carpet, dash or pad, spray type18.25
- A5675 56-62 SNAP SET - convertible top tab, on body (2 pc)3.25
- A5689 56-62 SNAP SET - slide type for convertible top tab, (pr)7.85
- A5614 56-57 TAB SET - convertible top, slider type (pr) (specify color)35.00
- A5671 56-57 TAB SET - convertible top, snap type (pr) (specify color)35.00
- A5686 58 TAB SET - convertible top, slider type (pr) (specify color)48.00
- A5672 58 TAB SET - convertible top, snap type (pr) (specify color)48.00

- A5631 59-62 TAB SET - convertible top, slider type (pr)
(specify color)36.00
- A5673 59-62 TAB SET - convertible top, snap type (pr)
(specify color)36.00

NOTE: The slider style tabs are considered to be correct.

Interior Fastener Kits

1956-62 FASTENER KITS				
A5884	56-57	FASTENER KIT		
A5881	58	FASTENER KIT		
A5882	59-60	FASTENER KIT		
A5883	61-62	FASTENER KIT		
A5961	58-62	ARM REST	1	1 1
A7552	56-62	VERTIBLE TOP TAB	1	1 1
A1958	58-62	CONSOLE TRIM - upper / lower	1	1 1
A2152	58-62	DASH END CAP	1	1 1 1
A5690	56-57	DOOR PANEL		1
A5691	58-62	DOOR PANEL FINISH WASHERS	1	1 1
A2134	58-62	GRAB BAR END CAP	1	1 1
A2162	58-62	HEATER COVER	1	1 1
A5688	58-62	KICK PANEL	1	1 1
A5687	56-57	KICK PANEL		1
A2166	59-62	PACKAGE TRAY	1	1
A1904	56-62	SHIFTER CONSOLE	1	1 1 1
A1902	56-62	SHIFTER PATTERN	1	1 1 1
A5851	56-60	SILL PLATE		1 1 1
A5853	61-62	SILL PLATE	1	
A5661	58-62	SUN VISOR SUPPORT	1	1 1
A7548	56-62	TOP LATCH (convertible or hard top)	1	1 1 1
A5692	58-62	DOOR PANEL WASHER	1	1 1
A9758	56-62	WINDSHIELD FRAME	1	1 1 1

- A5884 56-57 FASTNER KIT - interior / see table for details27.90
- A5881 58 FASTNER KIT - interior / see table for details44.85
- A5882 59-60 FASTNER KIT - interior / see table for details44.85
- A5883 61-62 FASTNER KIT - interior / see table for details65.00

1956-62 CLUTCH HEAD SCREWS				
A2992	56-57	SCREW KIT - clutch head		
A2993	58	SCREW KIT - clutch head		
A2994	59	SCREW KIT - clutch head		
A2995	60	SCREW KIT - clutch head		
A2996	61-62	SCREW KIT - clutch head		
	56-58	VERTIBLE WELL OPENING		10 10
	56-57	DECK LID LATCH		2
	56-59	FAN SHROUD		5 5 5
	58-62	FRONT LICENSE	2 2 2 2	
	56-57	ARM REST PLATE		4
	56-62	HEADLIGHT BUCKETS	14 14 14 14	8
	56-62	HOOD CABLE STOP	2 2 2 2	2
	58-62	HOOD SUPPORT	2 2 2 2	
	56-60	RESISTOR ON FIREWALL	1 1 1 1	
	56-62	SPLASH PANS	15 15 15 15	10
		TRUNK DIVISION		7 7 8

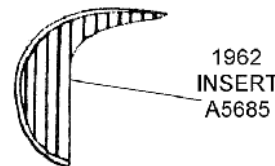
- A2992 56-57 SCREW KIT - clutch head/car kit82.10
- A2993 58 SCREW KIT - clutch head/car kit80.75
- A2994 59 SCREW KIT - clutch head/car kit81.40
- A2995 60 SCREW KIT - clutch head/car kit56.70
- A2996 61-62 SCREW KIT - clutch head/car kit56.85

Interior Packages: Carpet, Door Panels & Carpet

- A5770 53-55 INTERIOR KIT - carpet, door panels & seat covers1,139.00
- A5771 56-57 INTERIOR PACKAGE - vinyl seat covers, door panels w/o trim & carpet1,195.00
- A5772 58 INTERIOR PACKAGE - vinyl seat covers/pebble grain, door panels w/o trim & carpet1,199.00
- A5774 59 INTERIOR PACKAGE - vinyl seat covers, door panels w/o trim & carpet919.95
- A5776 59 INTERIOR PACKAGE / SPECIAL - vinyl seat covers, door panels w/o trim, carpet & dash padCALL
- A5775 60 INTERIOR PACKAGE - vinyl seat covers, door panels w/o trim & salt & pepper carpet899.95
- A5777 60 INTERIOR PACKAGE / SPECIAL - vinyl seat covers, door panels w/o trim, salt & pepper carpet & dash padCALL
- A5778 61 INTERIOR PACKAGE - vinyl seat covers, door panels w/o trim & salt & pepper carpet849.95
- A5780 62 INTERIOR PACKAGE - vinyl seat covers, door panels w/o trim & salt & pepper carpet849.95

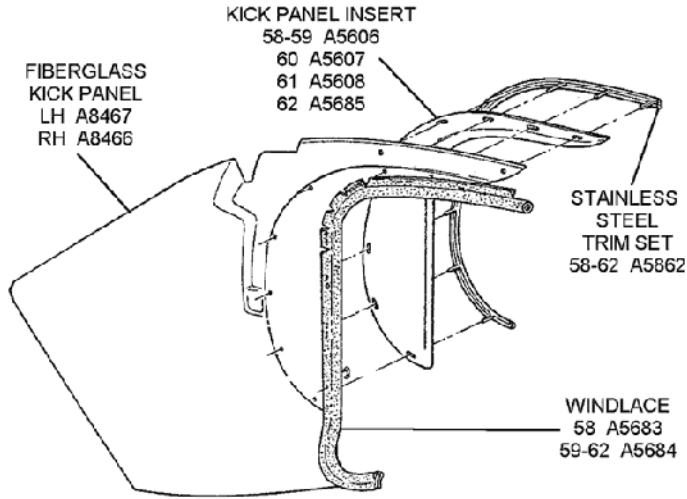
Kick Panel & Related

- A5971 56-62 BRACKET SET - kick panel26.55



- A5685 62 INSERT KIT - kick panel (specify color) (pr) . 62.95
- A5606 58-59 INSERT KIT - kick panel, sheet metal (pr) . . .94.95
- A5607 60 INSERT KIT - kick panel, sheet metal (pr) . . .94.95
- A5608 61 INSERT KIT - kick panel, sheet metal (pr) . . .94.95





1958-62 KICK PANEL

A8467	58-62	KICK PANEL - fiberglass, unpainted, LH	79.95
A8466	58-62	KICK PANEL - fiberglass, unpainted, RH	79.95
A5681	53-55	KICK PANEL - vinyl/cardboard (pr) (specify color)	124.00
A5682	56-57	KICK PANEL - vinyl/cardboard (pr) (specify color)	65.00
A5964	58	KICK PANEL ASSEMBLY - deluxe, complete (pr)	459.00
A5965	59	KICK PANEL ASSEMBLY - deluxe, complete (pr)	469.95
A5966	60	KICK PANEL ASSEMBLY - deluxe, complete (pr)	469.95
A5967	61	KICK PANEL ASSEMBLY - deluxe, complete (pr)	469.95
A5968	62	KICK PANEL ASSEMBLY - deluxe, complete (pr)	469.95
A8465	58-62	KICK PANEL SET - fiberglass, unpainted, (pr), LH & RH	149.95
A5988	53-62	REPAIR KIT - kick panel hole repair (20 plates w/rivets)	28.60
A5687	56-57	SCREW SET - kick panels (12 pc)	4.40
A5688	58-62	SCREW SET - kick panels (20 pc)	6.40
A0805	56-62	STAPLE SET - kick panel windlace	5.30
A5862	58-62	TRIM SET - kick panel, stainless steel, half-moon shaped (pr)	66.95
A5683	58	WIND LACE KIT - kick panel (pr) (specify color)	29.95
A5684	59-62	WIND LACE KIT - kick panel (pr) (specify color)	23.00

Paint & Dye

A5664	56-62	DYE - vinyl, aerosol (specify color)	20.70
A5666	56-62	DYE - vinyl, quart (specify color)	79.30
A5669	53-62	PRIMER - to use vinyl dye on metal parts	7.50
A5668	53-62	PRIMER - to use vinyl dye on plastic parts (aerosol)	20.45

Seat Cover Sets & Installation Kits

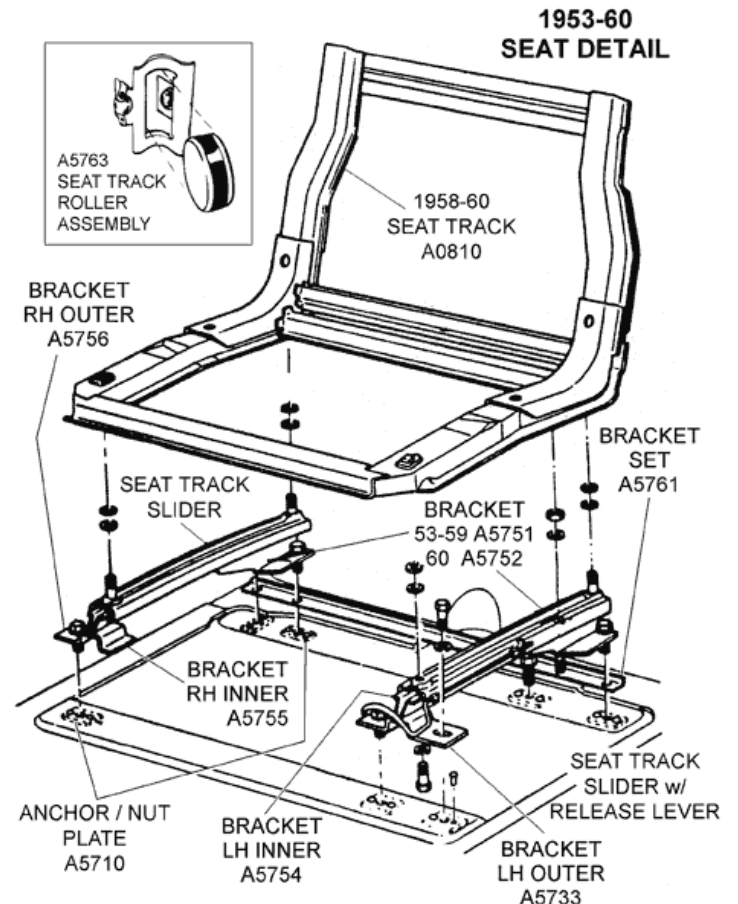
A5725	53-62	HOG RING SET - seat cover mounting (25 pc)	1.50
A5577	53-55	INSTALLATION KIT - seat covers	20.25
A5578	56-57	INSTALLATION KIT - seat covers	30.35
A5750	58	INSTALLATION KIT - seat covers	30.35
A5728	59-60	INSTALLATION KIT - seat covers	34.50
A5731	61-62	INSTALLATION KIT - seat covers	34.50
A5719	53-62	PLIERS - hog ring, seat cover installation (economy model)	6.95
A5768	53-62	PLIERS - hog ring, seat cover installation (pro model)	29.30
A5767	53-62	PLIERS - hog ring, seat cover installation (spring loaded)	22.00
A5714	53-55	SEAT COVER SET - vinyl (4 pc) (specify color)	535.00
A5716	56-57	SEAT COVER SET - vinyl (4 pc) (specify color)	369.95
A5718	58	SEAT COVER SET - vinyl (4 pc) (specify color)	495.95
A5720	59	SEAT COVER SET - vinyl (4 pc) (specify color)	339.95
A5722	60	SEAT COVER SET - vinyl (4 pc) (specify color)	339.95
A5724	61	SEAT COVER SET - vinyl (4 pc) (specify color)	339.95
A5726	62	SEAT COVER SET - vinyl (4 pc) (specify color)	339.95
A5579	56-60	VIDEO - seat cover installation, by Al Knock Interiors	59.95

Seat Foam , Spring Units & Related

A5765	56-58	BOTTOM ASSEMBLY/FRAME - seat, w/spring set LH	609.00
A5766	59-60	BOTTOM ASSEMBLY/FRAME - seat, w/spring set LH	609.00
A0815	56-58	BOTTOM ASSEMBLY/FRAME - seat, w/spring set RH	609.00
A0816	59-60	BOTTOM ASSEMBLY/FRAME - seat, w/spring set RH	609.00
A0818	61-62	BOTTOM ASSEMBLY/FRAME - seat, w/sprint set LH	609.00
A0819	61-62	BOTTOM ASSEMBLY/FRAME - seat, w/sprint set RH	609.00
A5584	53-55	PAD (cotton) & BURLAP KIT - seat	30.05
A5585	56-62	PAD (cotton) & BURLAP KIT - seat	28.80
A5581	53-55	RETAINER RING - seat bottom hold down w/rods (ea)	175.00
A5582	56-58	RETAINER RING - seat bottom hold down w/rods (ea)	149.00
A5583	59-60	RETAINER RING - seat bottom hold down w/rods (ea)	142.00
A5590	61 62	RETAINING RING - seat bottom hold down w/rods (ea)	139.00
A5764	53-55	SEAT BOTTOM ASSEMBLY W/FRAME & CUSHION ASSEMBLY - LH	842.00
A0814	53-55	SEAT BOTTOM ASSEMBLY W/FRAME & SPRING UNIT - RH	629.00
A5734	59-60	SEAT FOAM SET - 4 pc	229.00
A5782	61	SEAT FOAM SET - 4 pc	229.00
A5783	62	SEAT FOAM SET - 4pc	229.00
A5580	53-55	SEAT FOAM SET - Correct / 4 pc	249.00
A5742	56-57	SEAT FOAM SET - Correct / 4 pc	285.00
A5743	58	SEAT FOAM SET - Correct / 4 pc	285.00
A0820	59-60	SEAT FOAM SET - Correct / 4 pc	285.00
A0821	61	SEAT FOAM SET - Correct / 4 pc	285.00
A0822	62	SEAT FOAM SET - Correct / 4 pc	285.00
A5792	56-60	SPRING UNIT - seat bottom, correct as original (2 required/ea)	109.00
A5740	56-62	SPRING UNIT - universal type, for seat bottom (cut to fit)	40.00
A5791	53-55	SPRING UNIT SET - seat bottom, correct as original (pr)	309.00
A5793	61-62	SRPING UNIT - seat bottom, correct as original (2 required/ea)	340.45

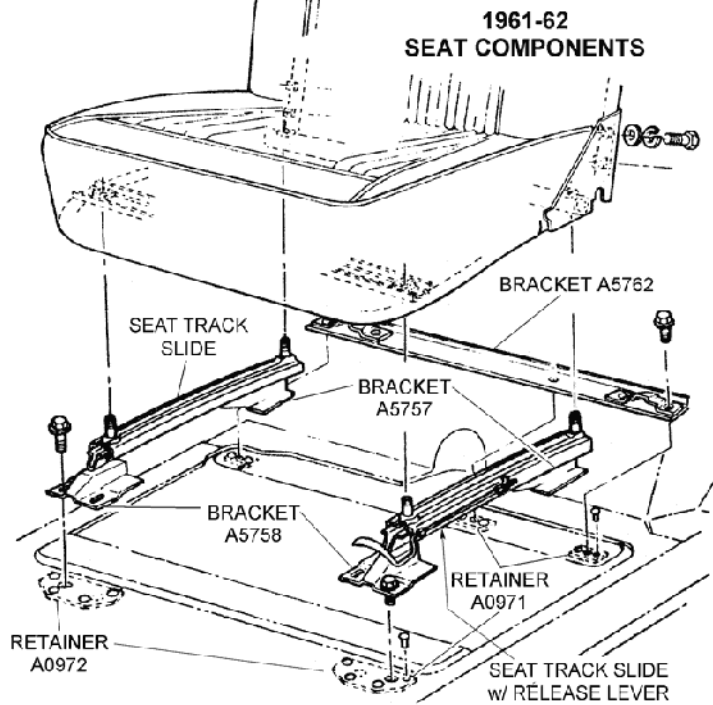
A5791, A5792, and A5793 feature 6 different diameter springs, as original.

Seat Frames, Brackets and Related



A5711 56-62 BOLT SET - seat mount, 'E' head mark (8 pc) . .9.65
NOTE: 1956-60 use 7 bolts per seat. 1961-62 use 5 bolts per seat.

- A5762 61-62 BRACKET - rear seat support, on floor (2 req), (ea)36.15
 - A5761 58-60 BRACKET - rear seat support, on floor (pr) ..64.25
 - A5758 61-62 BRACKET - seat adjuster, front, (4 req per car), (ea)25.00
- NOTE:** for bracket retainers on body for seat brackets, see Body group.
- A5754 56-60 BRACKET - seat adjuster, front, LH inner, 1 per car15.00
 - A5753 56-60 BRACKET - seat adjuster, front, LH outer, 1 per car15.00
 - A5756 56-60 BRACKET - seat adjuster, front, RH inner, 1 per car15.00
 - A5755 56-60 BRACKET - seat adjuster, front, RH outer, 1 per car15.00
 - A5751 53-59 BRACKET - seat adjuster, rear (53-55 2 per car) (LH seat only), (56-59 4 req.), cadmium plated, (ea)24.00
 - A5752 60 BRACKET - seat adjuster, rear, (4 req per car), (ea)20.75



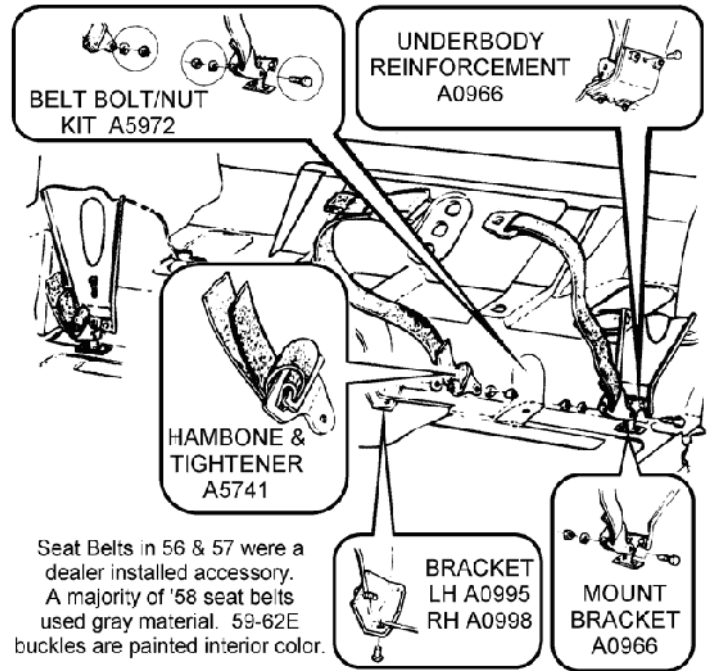
- A5757 61-62 BRACKET - seat adjuster, rear, (4 req per car), (ea)24.00
- A5708 53-55 RETAINER PLATE - w/weld nut, seat hold down (56-60 req. 14, 61-62 req. 6 (ea)6.00
- A5710 56-60 RETAINER PLATE KIT - seat hold down, front & rear (14 pc)54.25
- A5763 56-62 ROLLER ASSEMBLY - seat track (4 req. per seat), (ea)36.40
- A0810 56-60 SEAT FRAME - w/o lower track (used) (specify LH or RH)CALL
- A5799 56-62 SPRING - seat adjuster (per seat) (ea)12.10

Seats & Seat Belts

- A5972 56-62 BOLT SET - seat belt mounting, 'WB' head mark6.05
- A5741 56-62 BRACKET & TIGHTENER SET - seat belts, floor, ham bone shaped (pr)29.45
- A5790 56-62 BRACKET - inside seat belt, outside position (2 req), (ea)24.00
- A5700 56-62 CINCH PLATE - seat belt, (4 req per car), (ea)6.00
- A5706 58-62 LABEL SET - seat belt, 'Irving Air chute', specify year & VIN # (pr)12.35
- A0995 58-62 REINFORCEMENT - seat belt, inside LH, w/rivets & stud22.00
- A0994 56-57 REINFORCEMENT - seat belt, inside LH, w/rivets, w/o stud24.00
- A0998 58-62 REINFORCEMENT - seat belt, inside RH, w/rivets & stud22.00
- A0997 56-57 REINFORCEMENT - seat belt, inside RH, w/rivets, w/o stud24.00

Seat Belt Assembly Kits are excellent replacements for originals. They include correct material, mount brackets, buckle assemblies (similar to original) and fasteners. Available in the colors listed below.

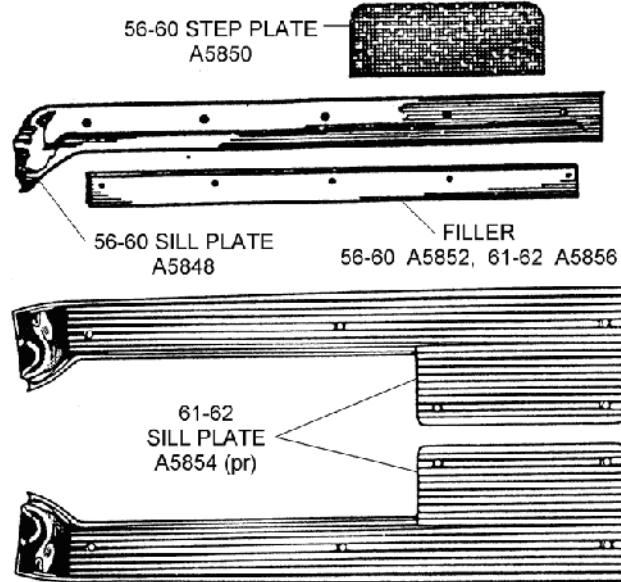
www.ChicagoCorvette.net



- A0996 58-62 REINFORCEMENT - seat belt, w/weld nuts, outside position (2 req) (ea)20.00
- A5717 61-62 SEAT BELT ASSEMBLY KIT - fawn beige, replacement99.95
- A5705 58-60 SEAT BELT ASSEMBLY KIT - light blue, replacement99.95
- A5704 56-62 SEAT BELT ASSEMBLY KIT - red, replacement99.95

Sill Plates

- A5852 53-60 FILLER STRIP SET - sill plate, oak (pr)23.50
- A5856 61-62 FILLER STRIP SET - sill plate (pr)20.90
- A5988 53-62 REPAIR KIT - sill plate mounting (20 rivets w/plates)28.60
- A5853 61-62 SCREW SET - sill plates (10 pc)5.70
- A5851 56-60 SCREW SET - sill plates (18 pc)6.65

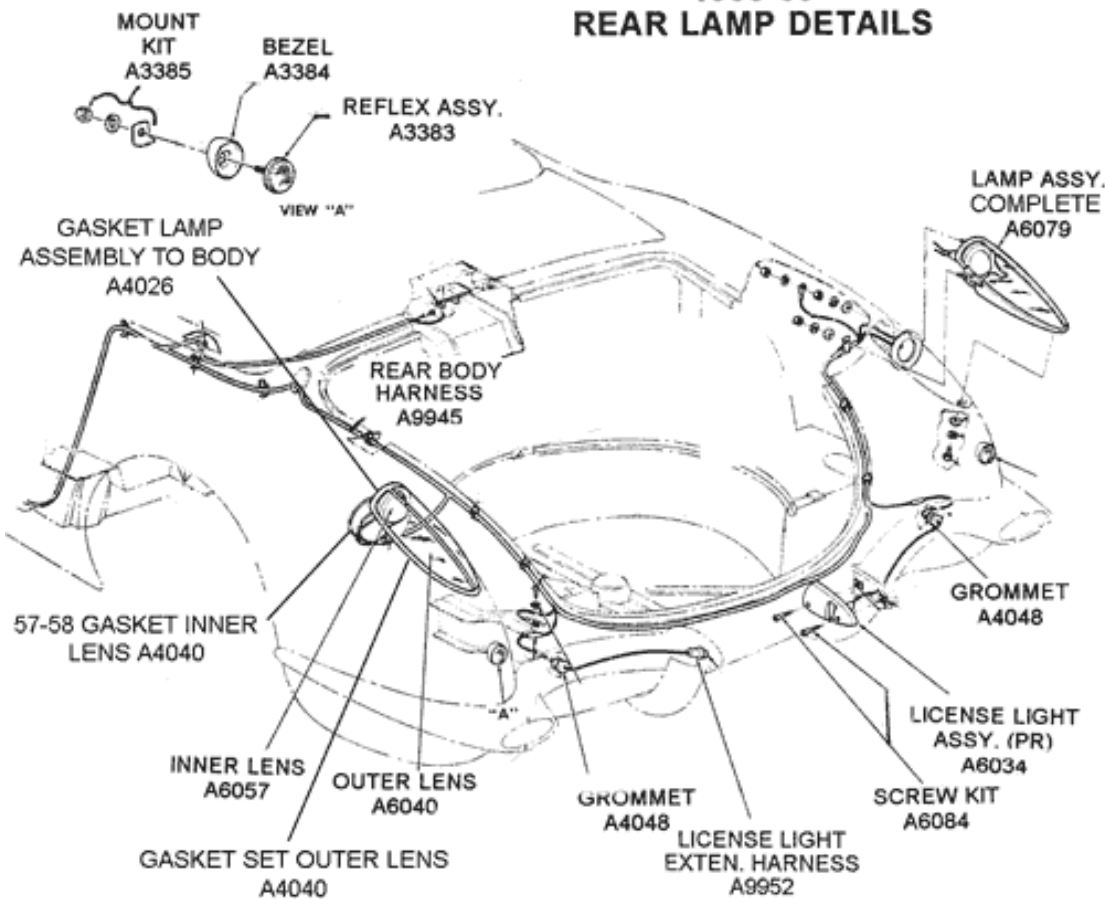


- A5848 56-60 SILL PLATE SET - long (pr)195.00
- A5854 61-62 SILL PLATE SET - w/filler strips (pr)256.15
- A5850 56-60 STEP PLATE SET - sill, stainless steel waffled, small square w/screw set, (pr)79.50

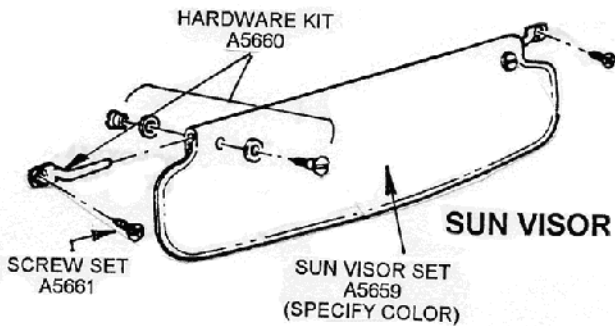
Sun-Visors

- A5663 59-62 HARDWARE KIT - 2 sun visors (partially stainless steel)27.00
- A5660 59-62 HARDWARE KIT - 2 sun-visors15.95
- A5788 59-62 PIVOT - sun visors (4 req) (ea)2.00
- A5661 59-62 SCREW SET - sun-visor supports (4 pc)3.75

1958-60
REAR LAMP DETAILS



PIGTAIL CONNECTOR
A6036

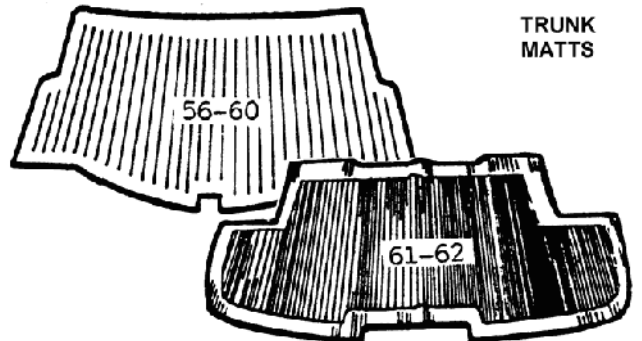


	59-60 shade	89.00
A8806	58-60 TRUNK LINER - w/o power top, molded	129.00
A8807	60 TRUNK LINER - flat/black	105.00
A8812	61-62 TRUNK LINER - flat, replacement, (black only)	89.00
A8837	61-62 TRUNK LINER - w/o power top, molded	129.00
A8808	61-62 TRUNK LINER - w/power top, molded	129.00
A3195	53-55 TRUNK MAT - black	CALL

A5659	59-62 SUN-VISOR SET - w/o hardware kit, specify color (pr)	95.00
A5789	59-62 WASHER SET - sun visor (8 pc)	2.85

Trunk

A5670	53-55 BAG - side window storage	120.00
A5969	56-62 BRACKET SET - trunk liner mount	16.90
A8833	53-55 CLIP SET - side curtain bag (pr)	7.75
A8815	56-62 CLIP SET - trunk liner, 'S' type, w/correct diamond stamped logo (4 pc)	12.10
A8814	56-62 CLIP SET - trunk liner, 'S' type, (4 pc)	5.20
A8819	61-62 SCREW SET - trunk access cover plate attaching, special shallow Phillips head (2 req. per plate), (4 pc)	4.50
A8801	56-59 SCREW SET - trunk liner, clutch head (14 pc)	8.85
A8878	59 SCREW SET - trunk liner, Phillips head, replacement, (14 pc)	4.40
A8880	60-62 SCREW SET - trunk liner, Phillips head (7 pc)	4.65
A8851	60-62 SCREW SET - trunk liner, Phillips, w/wide head (7 pc)	9.25
A8882	56-60 SCREW SET - trunk panel, rear inner (17 pc)	6.40
A3196	53-55 TRUNK LINER - black	99.00
A8813	53 55 TRUNK LINER - red	99.00
A8802	56-57 TRUNK LINER - w/o power top, molded (56 all)	129.00
A8804	57-60 TRUNK LINER - w/power top, molded	129.00
A8825	56-60 TRUNK LINER - flat, red or black/red is	



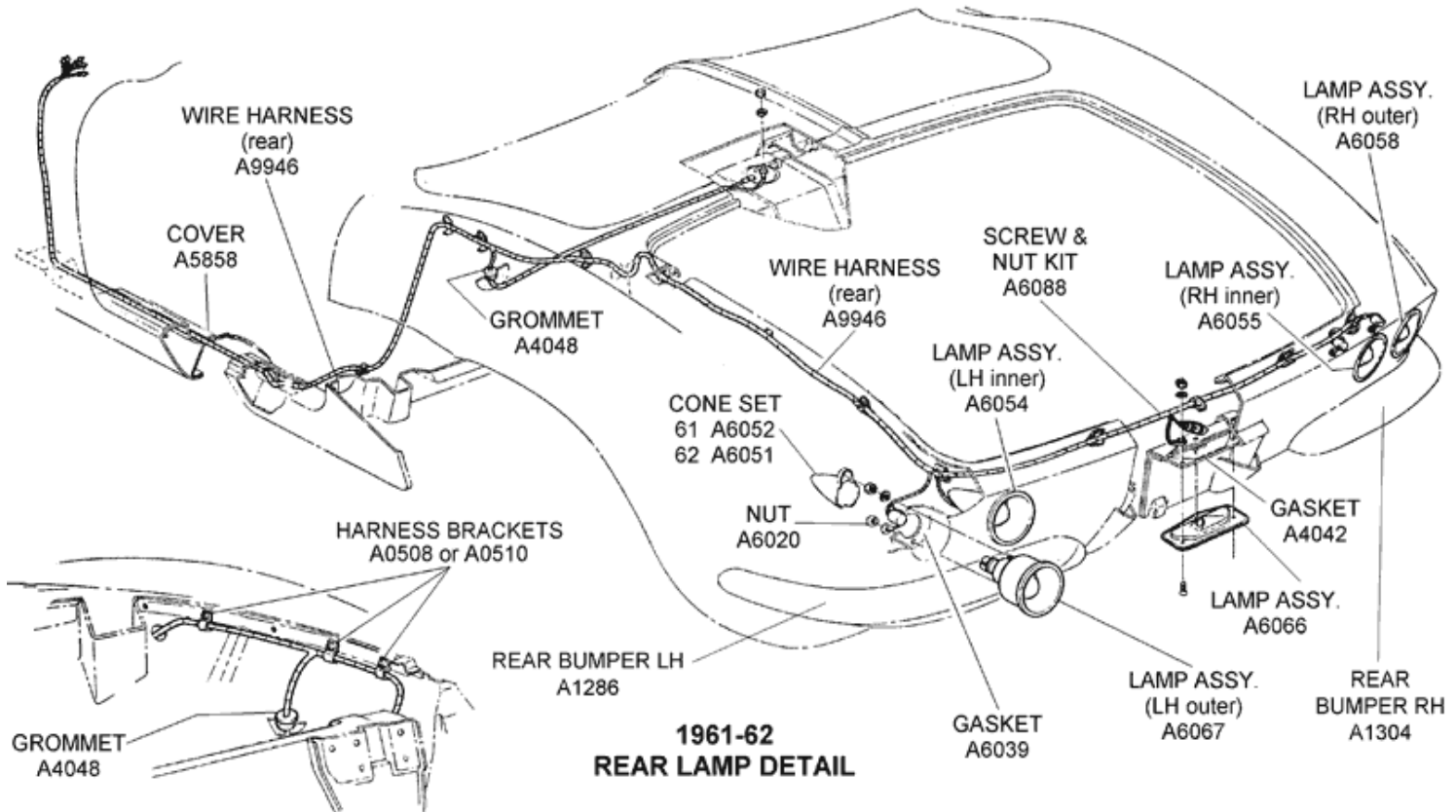
TRUNK MATTS

A8857	53-55 TRUNK MAT - Red	CALL
A8818	56-57 TRUNK MAT - red	239.00
A8820	58 TRUNK MATT - specify color	239.00
A8822	59 60 TRUNK MAT - red or black	239.00
A8824	60 TRUNK MAT - w or w/o power top-blue or turquoise	269.00
A8826	61-62 TRUNK MAT - (specify color)	295.00

NOTE: 1956-60 cars used molded trunk liners. Flat liners are simply a replacement and will not match up properly with the trunk mats.

CHICAGO CORVETTE

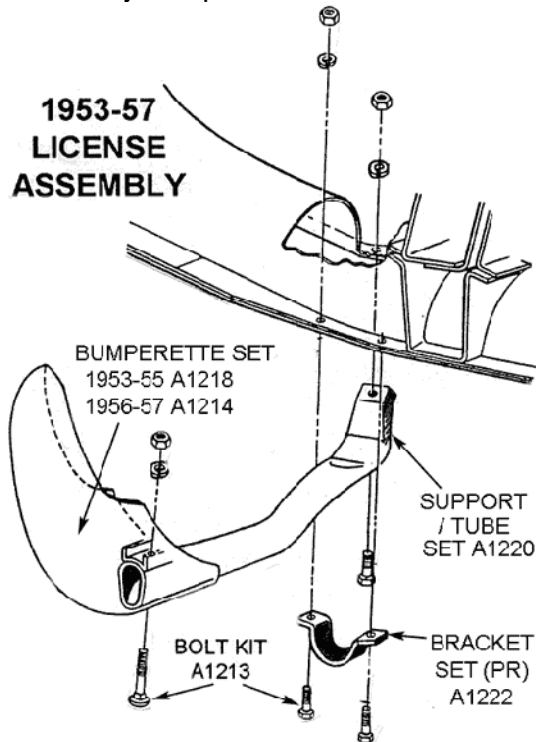
We're your 1-Stop-Shop for 1953-82 Corvette parts and accessories!



LICENSE ASSEMBLY / FRONT & REAR

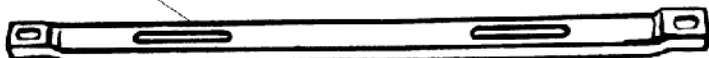
Front License Assembly & Components

1953-57 LICENSE ASSEMBLY



- A1264 58-62 BACK PLATE - front, behind license plate45.00
- A1265 58-62 BAR - front license bracket, lower, center ..25.00

LICENSE BAR WITH "GUIDE" LOGO A1216



- A1216 53-57 BAR - license, front, stamped 'Guide'35.00
- A1229 58-62 BOLT & SPACER KIT - front license bumperette, 'WB' and 'TR' head mark, (24 pc) 12.85
- A1213 53-57 BOLT KIT - license bumperette assembly (28 pc)5.85
- A1222 53-57 BRACKET SET - front license bumperette tube, 'U' type (pr)17.75

- A1266 58-60 BRACKET SET - front license bumperette, LH/RH (pr)70.00
- A1268 61-62 BRACKET SET - front license bumperette, LH/RH (pr)70.00
- A3934 58-62 BUMPER - front license plate, rubber2.45
- A1200 58-62 BUMPER - front license plate, rubber, correct6.40
- A1156 53-55 BUMPERETTE ASSEMBLY - front license w/bolt kit285.00
- A1218 53-55 BUMPERETTE SET - license front LH/RH chrome 169.00
- A1214 56-57 BUMPERETTE SET - license, front LH/RH chrome174.95
- A1262 58-62 BUMPERETTE SET - license, front, LH/RH chrome (pr)169.00
- A1212 56-57 LICENSE BUMPERETTE ASSEMBLY - front (incl. (2) A1214, A1216, (2) A1222, A1250, A1218 & A1213285.00
- A1157 58-60 LICENSE BUMPERETTE ASSEMBLY - front, w/bolt kit299.00
- A1158 61-62 LICENSE BUMPERETTE ASSEMBLY - front w/bolt kit299.00
- A6061 56-62 MOUNT KIT - front license plate, (w/nuts) ...2.55
- A1220 53-57 SUPPORT TUBE - license bumperette w/bracket, front, LH/RH [pr]86.95

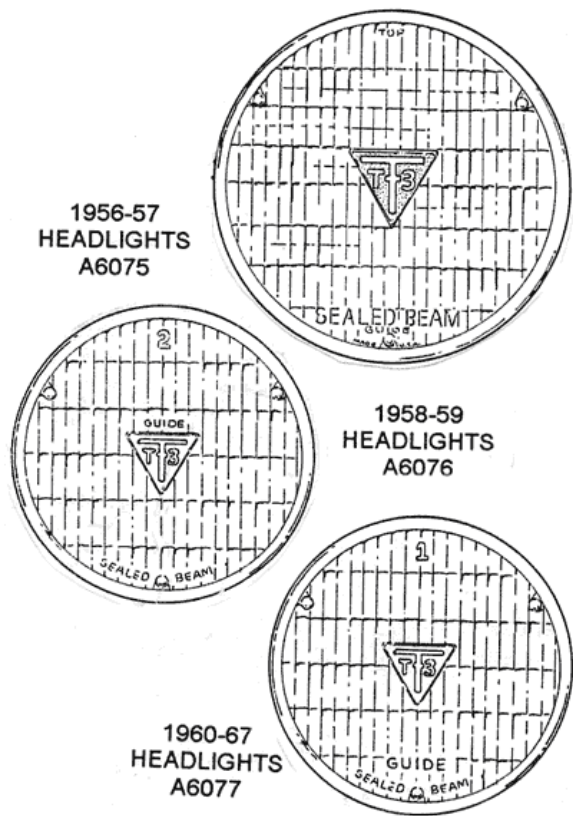
Rear License Assembly

- A1231 56-60 BOLT SET - license plate bracket to body, 'TR' head mark (pr)5.20
- A1293 56-60 BRACKET - rear license plate, 'T' shaped19.95
- A1217 61-62 BRACKET - rear license plate50.00
- A6053 56-60 BUMPER - rear license plate, rubber, correct1.70
- A6065 61-62 BUMPER - rear license plate, rubber, correct1.85
- A1235 61-62 BUMPERETTE / CHROME - around license plate, used, replatable159.95
- A6098 61-62 GASKET - license light assembly to body5.65
- A4042 61-62 GASKET - license light lens (white)4.95
- A6099 61-62 LENS - license light18.45
- A6068 61-62 LENS KIT - license light, correct, w/white gasket & screws24.25
- A7075 53-55 LENS SET - license lights pr84.35
- A6020 56-57 LIGHT ASSEMBLIES - license, w/fasteners, assembled (pr)96.35
- A6034 58-60 LIGHT ASSEMBLIES - license, w/fasteners, assembled (pr)109.95
- A6066 61-62 LIGHT ASSEMBLY - license, (base, gasket, lens & screws), (ea)97.95
- A6061 56-62 MOUNT KIT - front license plate, (w/nuts) ...2.55
- A6003 58-60 NUT PLATE SET - rear license light to rear bumper retainer (pr)33.90
- A6086 61-62 SCREW SET - license light lens, Phillips head (4 pc)4.75

LIGHTS, LAMPS & RELATED

Bulbs & Bulb Kits

A6038	58-59	BULB - headlight, Guide T3, hi beam, 2 prong	34.95
A6043	58-59	BULB - headlight, Guide T3, hi-lo beam, 3 prong	49.95
A6093	60-62	BULB - headlight, Guide T3, hi beam, 2 prong	35.00
A6007	58-62	BULB - headlight, hi beam, halogen (ea)	11.95
A6009	58-62	BULB - headlight, hi-low beam, halogen (ea)	11.95
A6006	58-62	BULB - headlight, hi-low beam, standard replacement (ea)	9.95
A6025	53-54	BULB KIT - all bulbs except headlights (19 pc)	16.95
A6031	55-57	BULB KIT - all bulbs except headlights (19 pc)	16.95
A6035	60-62	BULB - parking brake alarm (flashing)	2.20
A6032	58-59	BULB KIT - all bulbs except headlights (17 pc)	16.95
A6041	60	BULB KIT - all bulbs except headlights (17 pc)	16.95
A6042	61-62	BULB KIT - all bulbs except headlights (18 pc)	16.95



A6075	56-57	BULB SET - headlight, Guide T3 (pr)	119.95
A6076	58-59	BULB SET - headlight, Guide T3, Hi/Low beam (4 pc)	159.95
A6077	60-62	BULB SET - headlight, Guide T3, Hi/Low beam (4 pc)	129.95

ORDER BY PHONE:
1-800-872-2446

ORDER BY FAX:
708-458-2662

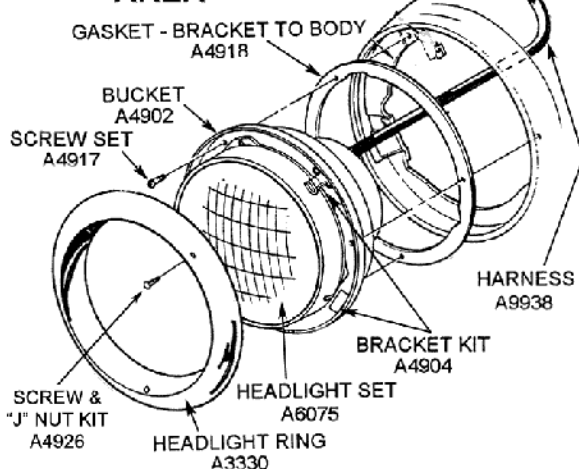
TECHNICAL QUESTIONS:
708-458-2500

CUSTOMER SERVICE:
708-458-6577

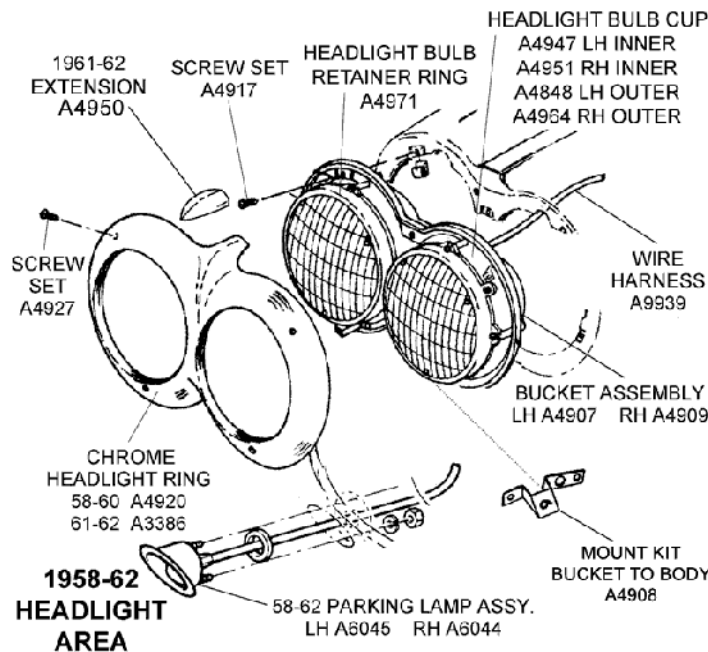
QUESTIONS ABOUT YOUR ORDER:
708-458-2500

Front: Headlight

1956-57 HEADLIGHT AREA



A4912	58-62	ADJUSTER / SUPPORT ASSEMBLY - headlight capsule, w/screw	3.10
A0823	53-55	BUCKET - headlight LH, potmetal	CALL
A0824	53-55	BUCKET - headlight RH, potmetal	CALL
A4902	56-57	BUCKET - headlight, w/cup & ring	98.95



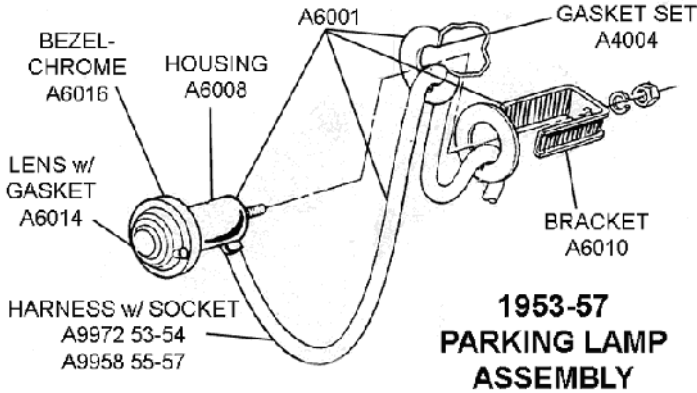
A4907	58-62	BUCKET ASSEMBLY - headlight, w/o cups or rings, LH	103.95
A4909	58-62	BUCKET ASSEMBLY - headlight, w/o cups or rings, RH	103.95
A4905	58-62	BUCKET SET - headlights (pr)	225.00
A9980	58-62	CLIP SET - headlight harness connector, to inner fender (4 pc)	13.95
B4947	58-62	CUP - headlight bulb retaining, inner, LH	16.50
B4951	58-62	CUP - headlight bulb retaining, inner, RH	16.50
B4948	58-62	CUP - headlight bulb retaining, outer, LH	16.50
B4964	58-62	CUP - headlight bulb retaining, outer, RH	16.50
A4950	61-62	EXTENSION SET - headlight ring (pr)	42.25
A4918	53-57	GASKET SET - headlight bucket to body (pr)	9.25
A4916	56-57	GASKET SET - headlight chrome ring/bezel (pr)	9.45
A4713	53-57	GROMMET - headlight bucket wire harness	5.25
A4904	56-57	MOUNT KIT - headlight ring brackets (2 buckets)	37.25
A4932	58-62	MOUNT KIT - headlight bucket to body 'J' nut & Phillips screw kit (28 pc) (will also work on 1956-57)	26.40
A4908	58-62	MOUNT KIT - headlight ring brackets (8 pc/ 2 buckets)	30.95
A4911	56-57	RING - headlight bulb retaining, stainless steel	19.95
A4931	58-62	RING - headlight bulb retaining, stainless steel (4 req.) (ea)	22.60
A3330	56-57	RING - headlight, chrome	69.00

A4920 58-60	RING - headlight, chrome	79.95
A3386 61-62	RING - headlight, paint as required	67.95
A4929 53-55	SCREEN SET - headlight (pr)	161.95
A4934 58-62	SCREW - headlight capsule adjustment	1.75
A4927 58-62	SCREW SET - headlight bezel mounting (8 pc) ..	3.75
A4926 56-57	SCREW SET - headlight bezel mounting, includes 'J' nuts (12 pc)	3.65
A4917 56-62	SCREW SET - headlight bucket to body, clutch head, 1956/7 requires 8pc, 1958/62 14pcs (14 pc)	7.95
A4930 58-62	SCREW SET - headlight bulb retaining ring (6 pc)	2.45
A4903 58-62	SPRING - headlight capsule tension, offset type	4.80
A4910 58-62	SPRING - headlight capsule tension, straight type	2.50

Front: Parking Lamp Assembly & Components

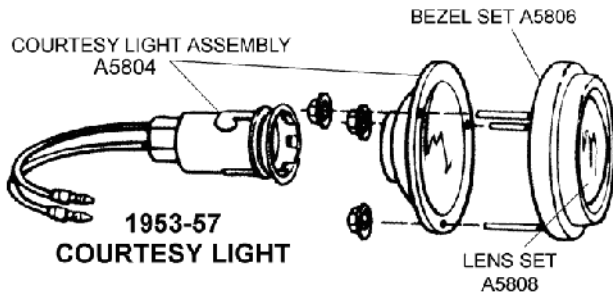
A6016 53-57E	BEZEL - park lamp lens, round edge, chrome ..	14.45
A6046 57L-62	BEZEL - park lamp lens, chrome	15.00
A6010 53-57	BRACKET - parking lamp housing, 'U' shape ..	20.60
A4020 53-62	GASKET SET - parking lamp lens (pr)	4.10

PARKING LAMP ASSY. & HARNESS

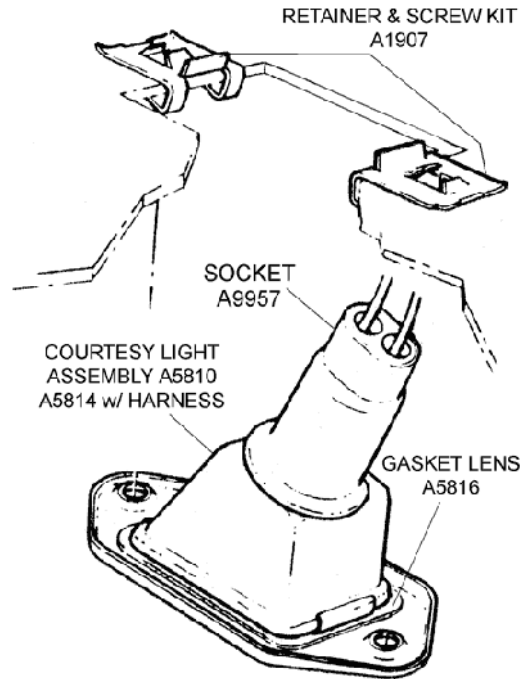


A6014 53-62	LENS & GASKET - parking lamp, each	21.15
A6069 53-57	NUT SET - parking lamp bezels, barrel style (4 pc)	12.80
A6001 55-57	PARKING LAMP ASSEMBLY SET - 2 lamp assemblies / harness's, retainers, nuts, lenses, bezels and housings	249.95
A6045 58-62	PARKING LAMP ASSEMBLY - LH	108.80
A6044 58-62	PARKING LAMP ASSEMBLY - RH	108.80
NOTE: A6044 and A6045 contain the housing, lens bezel, socket, wire harness, and fasteners.		
A6073 58-62	SCREW SET - parking light lens (4 pc)	5.45
A6015 53-54	SOCKETS W/WIRE HARNESS - parking lamps	99.95
A6008 55-57	SOCKETS W/WIRE HARNESS - parking lamps	99.95
A6018 58-62	SOCKETS W/WIRE HARNESS - parking lamps	50.50

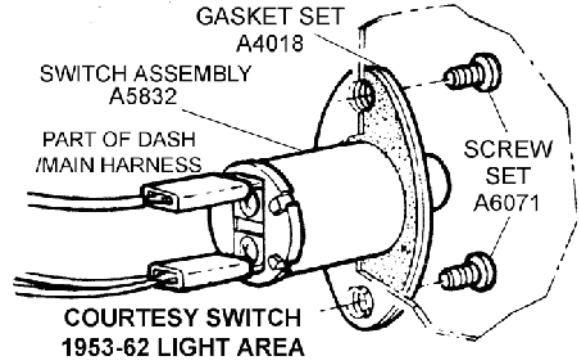
Interior: Courtesy Lights



A5804 53-57	BASE & SOCKET - courtesy light assembly, (base, harness, bezel, and lens (pr)	121.40
A5806 53-57	BEZEL - courtesy light, w/lens (pr)	45.95
A4018 53-62	GASKET SET - courtesy light switches (pr) ..	3.35



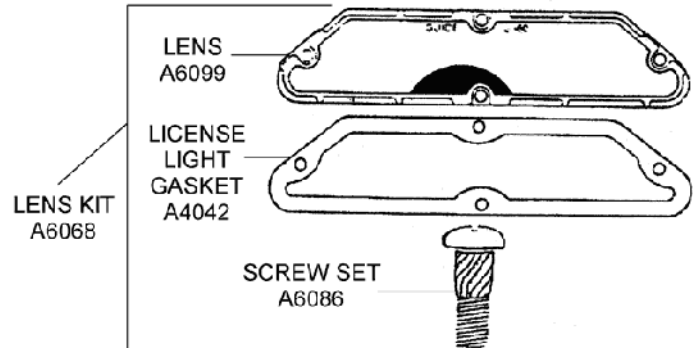
A5810 58-62	HOUSING, BEZEL & LENS - courtesy light	47.10
A5816 58-62	LENS & GASKET - courtesy light	12.05
A5808 56-57	LENS - courtesy light (pr)	8.00
A5814 58-62	LIGHT ASSEMBLY - courtesy, w/socket and wire	18.50
A1907 58-62	MOUNT KIT - courtesy light, screws & 'J' nuts (4 pc)	2.30
A6071 53-62	SCREW SET - courtesy light switches, (4 pc) ..	2.60
A9957 58-62	SOCKET - courtesy light, w/wires	15.65



A5832 53-62	SWITCH KIT - courtesy lights, w/gaskets & screws (pr)	44.75
-------------	--	-------

Rear: License Light

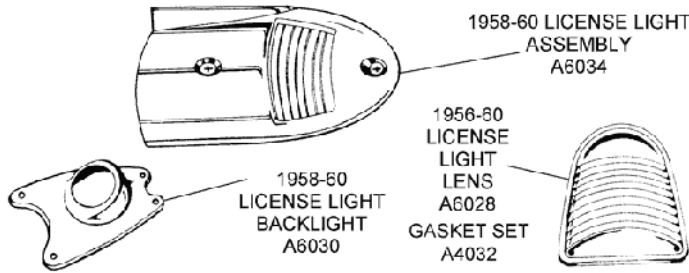
A6030 56-60	BACKPLATE - license light lens	7.75
A4032 56-60	GASKET SET - license light lens (pr)	4.10
A6098 61-62	GASKET - license light assembly to body	5.65
A4042 61-62	GASKET - license light lens (white)	4.95
A4048 53-62	GROMMET - license light lead through body ..	2.95
A6028 56-60	LENS - license light (ea)	13.75



A6099 61-62	LENS - license light	18.45
A6068 61-62	LENS KIT - license light, correct, w/white gasket & screws	24.25
A7075 53-55	LENS SET - license lights pr	84.35



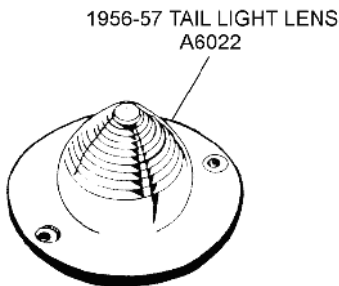
- A6087 53-55 LIGHT ASSEMBLY - license, triangular rear metal base, lens, bezel, gasket, (used)CALL
- A6020 56-57 LIGHT ASSEMBLIES - license, w/fasteners, assembled (pr)96.35



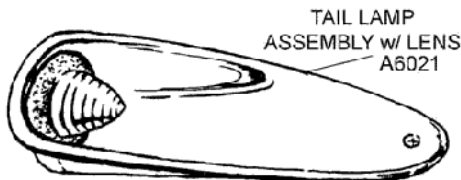
- A6034 58-60 LIGHT ASSEMBLIES - license, w/fasteners, assembled (pr)109.95
- A6066 61-62 LIGHT ASSEMBLY - license, (base, gasket, lens & screws), (ea)97.95
- A6003 58-60 NUT PLATE SET - rear license light to rear bumper retainer (pr)33.90
- A6036 53-62 PIGTAIL - tail light connector, turn/stop, w/wires11.50
- A6084 56-60 SCREW SET - license light housings (4 pc)2.75
- A6088 61-62 SCREW SET - license light housings to body (9 pc)4.25
- A6086 61-62 SCREW SET - license light lens, Phillips head (4 pc)4.75

Rear: Tail Light

- A6051 61-62 CONE SET - protector / tail light connector 4pc37.95
- A6083 53-55 LENS - tail light90.65



- A6022 56-57 LENS - tail light29.50
- A6057 58-60 LENS - tail light / clear, inner13.90
- A6040 58-60 LENS tail light - red, outer w/correct trim, (w/screw kit)62.95
- A6062 61-62 LENS - tail light (ea)13.20
- A6090 58-60 SCREW KIT- tail light lens, outer, w/nylon washer (8 pc)8.40
- A6082 56-57 SCREW SET - tail light housings to body (2 pc)2.95
- A6074 56-62 SCREW SET - tail light lens (4 pc)3.05
- A6029 61-62 SPEED NUT SET - rear tail lights (8 pc)2.95
- A6002 53-55 TAIL LAMP ASSEMBLY - (w/ bezel) LH OR RHCALL
- A6055 61-62 TAIL LAMP ASSEMBLY - inner, LH94.00
- A6054 61-62 TAIL LAMP ASSEMBLY - inner, RH94.00
- A6067 61-62 TAIL LAMP ASSEMBLY - outer, LH94.00
- A6058 61-62 TAIL LAMP ASSEMBLY - outer, RH94.00



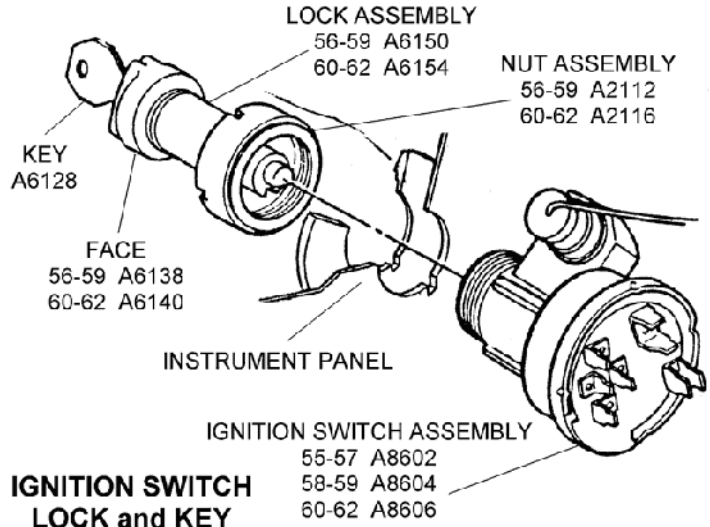
- A6021 56-57 TAIL LAMP ASSEMBLY SET - w/lenses, (pr)599.00
- A6079 58-60 TAIL LAMP ASSEMBLY SET - w/all 4 lenses & fasteners, (pr)619.00
- A6078 61-62 TAIL LAMP KIT - all rear lamps (4 pc)329.00
- A6059 61-62 WICK SET - tail light lens drains (4 pc)3.95

LOCKS & RELATED

All locks have correct faces, sets are keyed alike with original type key. All lock sets come with correct keys.

- A6132 56-62 BEZEL/ESCUTCHEON - door lock (2 req., ea)8.95
- A6134 56-62 BEZEL/ESCUTCHEON - trunk lock42.50

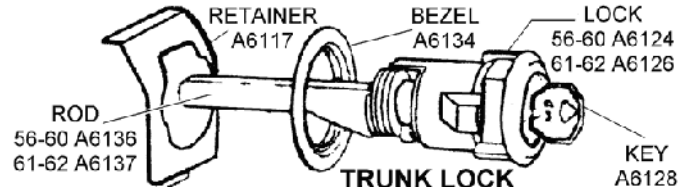
- A5846 56-57 CATCH/BRACKET - glove box lock, on body23.95
- A6151 56-59 CYLINDER - ignition lock, correct37.35
- A6152 60-62 CYLINDER - ignition lock, correct, (w/key)29.90
- A6138 56-59 FACE - ignition lock cylinder14.60
- A6140 60-62 FACE - ignition lock cylinder w/single hole13.90
- A4024 53-62 GASKET SET - door and trunk locks3.00
- A6129 56-62 KEY BLANK - glove box, original round type4.95
- A6155 56-62 KEY BLANK - ignition/door/trunk, original hex type, Briggs & Stratton/GM, NOS10.95
- A6128 56-62 KEY BLANK - ignition/door/trunk, original hex type, GM replacement.4.95
- A6921 56-62 LEVER - door handle push button, LH14.00
- A6922 56-62 LEVER SET - door handle push buttons LH/ RH (pr)22.50
- A6120 56-62 LOCK - glove box, w/key & retainer nut42.95



- A6150 56-59 LOCK - ignition cylinder, w/key34.65
- A6154 60-62 LOCK - ignition cylinder, w/key33.00
- A6124 56-60 LOCK - trunk, w/o rod43.15
- A6126 61-62 LOCK - trunk, w/o rod37.50
- A6114 56-60 LOCK SET - doors (pr)50.75
- A6116 61-62 LOCK SET - doors (pr)49.00
- A6101 53-55 LOCK SET - ignition & trunk80.00
- A6108 56-60 LOCK SET - ignition & doors72.95
- A6102 56-59 LOCK SET - ignition, doors, trunk, & glove box cylinder115.95
- A6111 60 LOCK SET - ignition, doors, trunk, & glove box cylinder115.95
- A6104 61-62 LOCK SET - ignition, doors, trunk, & glove box cylinder94.65
- A6103 56-59 LOCK SET - super kit157.95
- A6113 60 LOCK SET - super kit157.95
- A6105 61-62 LOCK SET - super kit157.95

NOTE: The Super Lock Set Kits contain the ignition cylinder, 2 door locks with bezel and retainers, glove box w/case and retainer nut, trunk lid with bezel, retainer rod, gaskets and keys.

- A6122 56-62 NUT - glove box lock retainer10.50
- A2116 60-62 NUT/BEZEL - ignition switch14.60
- A2112 56-59 NUT/BEZEL - ignition switch, locking12.85
- A6118 56-62 PAWL - door lock cylinder, tear drop shape3.85
- A6130 53-62 RETAINER - door lock8.30

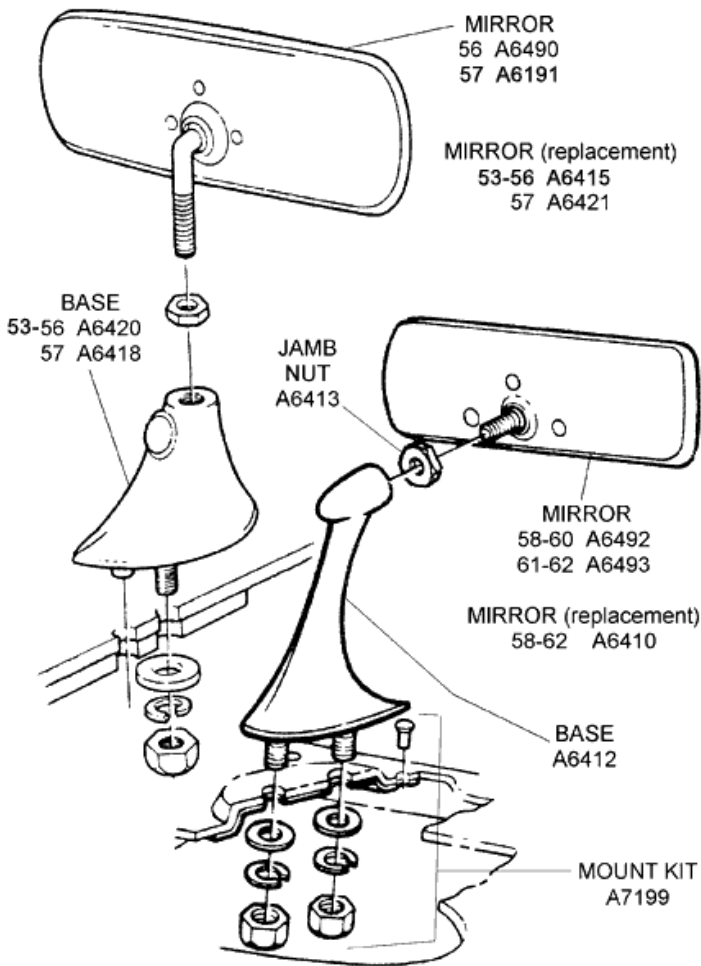


- A6117 53-62 RETAINER - trunk lock9.85
- A6100 56-62 RETAINER/CLIP - pawl, door lock2.00
- A6923 56-62 ROD - door handle push button, w/pivot, LH27.15
- A6924 56-62 ROD - door handle push button, w/pivot, RH14.50
- A6106 56-62 ROD - door lock cylinder, down12.35
- A6136 56-60 ROD - lock, trunk8.95
- A6137 61-62 ROD - lock, trunk6.50
- A6925 56-62 SPRING KIT - door handle lever rods4.40

VISIT US ON THE WEB AT
www.ChicagoCorvette.net

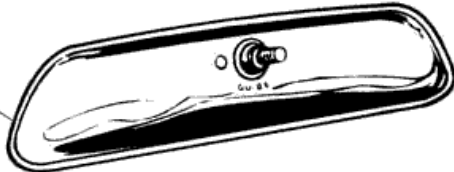
MIRRORS

Inside - Rear View



A6418	57	BASE/SUPPORT - mirror, rear view	44.50
A6412	58-62	BASE/SUPPORT - mirror, rear view	35.95
A6420	53-56	BASE/SUPPORT - mirror, rear view, w/o thumb screw (53-55 repl.)	44.40
A6400	53-54	MIRROR - with base	495.00
A6415	53-56	MIRROR - rear view, die cast reproduction (53-55 repl.)	57.95
A6490	56	MIRROR - rear view, stainless steel back/correct reproduction	90.00
A6491	57	MIRROR - rear view, stainless steel back/correct reproduction	90.00
A6421	57	MIRROR - rear view, die cast reproduction	57.95
A6410	58-62	MIRROR - rear view (replacement)	48.20
A6492	58-60	MIRROR - rear view, stainless steel back/correct reproduction S logo	97.50

61-62 MIRROR
A6493



A6493	61-62	MIRROR - rear view/inside	49.95
A6413	58-62	NUT - inside mirror head, jamb nut	1.80
A6411	53-56	SCREW - rear view mirror base, thumb type (53-55 repl)	13.65
A6425	53-62	SCREW SET - mirror bracket to door	2.15

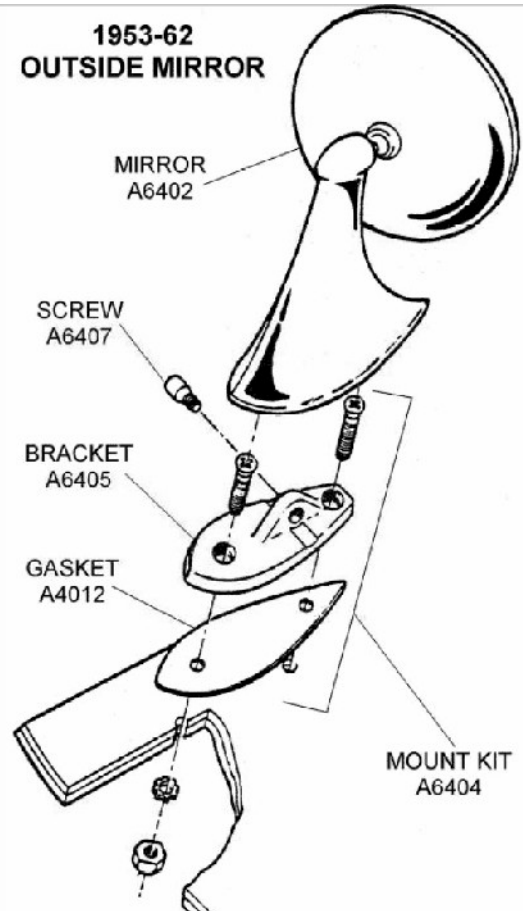
DO YOU HAVE A TECHNICAL QUESTION?

Call our technical department at 708-458-2500 for assistance.



Outside

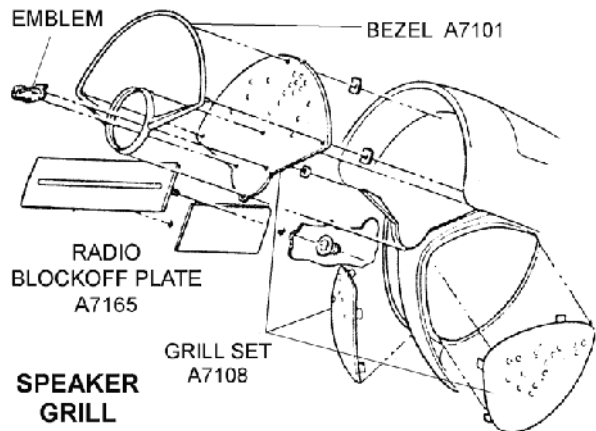
1953-62 OUTSIDE MIRROR



A4012	53-62	GASKET - outside mirror	2.00
A6402	53-62	MIRROR - outside, Guide Y-50 w/mount kit - LH	98.00
A6422	53-62	MIRROR - outside, Guide Y-50 w/mount kit - RH	89.95
A6404	53-62	MOUNT KIT - Guide Y-50 mirror bracket, w/gasket & 3 screws	12.40
A6407	53-62	SCREW - outside mirror, socket head, (ea)	2.85

RADIO & RELATED

A7110	56-57	BACK PLATE KIT - radio indicators w/chrome backplate (pr)	28.50
A7112	56-57	BACK PLATE KIT - radio indicators, w/o chrome back plates (pr)	22.35
A7136	58	BACK PLATE KIT - radio indicator back plates (pr)	47.20
A7138	59-60	BACK PLATE KIT - radio indicator back plates (pr)	14.95
A7157	61-62	BACK PLATE/BEZEL KIT - radio	44.45
A7140	59-60	BEZEL - radio knob, chrome (ea)	10.55
A7120	60-62	BEZEL - speaker	46.75



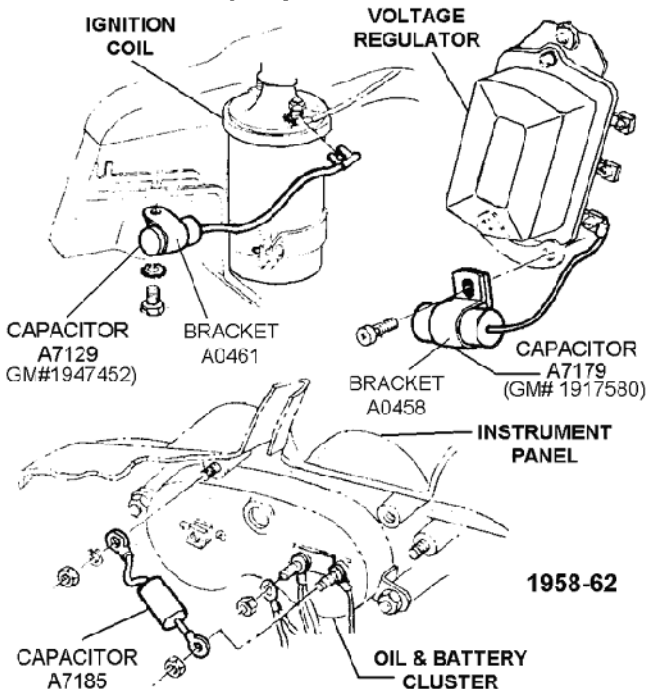
A7101	53-57	BEZEL - speaker grille / chrome	73.45
A7164	58-62	BLOCK-OFF PLATE - radio, pre-owned	CALL

- A0459 56-62 BRACKET - capacitor #1911095 on generator, restored10.00
- A0431 56-62 BRACKET - capacitor #1911095 on generator (replacement)1.25
- A0461 56-62 BRACKET - capacitor on coil, restored6.00
- A0458 56-62 BRACKET - capacitor on voltage regulator, restored5.00
- A7155 53-57 BRACKET - radio support13.95
- A7122 58-62 BRACKET - radio support13.95
- A7184 56-57 CAPACITOR - coil, GM #1929070, restored original w/Delco logo & part numberCALL
- A7111 56-57 CAPACITOR & BRACKET - coil, GM #1929070, w/Delco logo & part number21.95

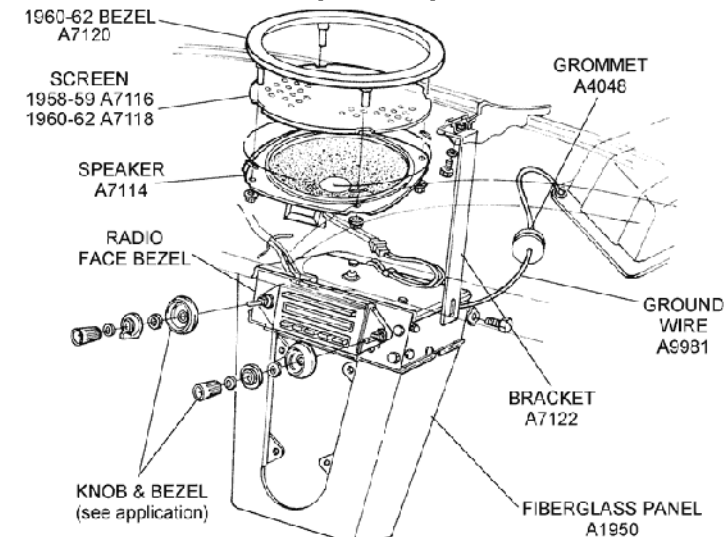
- A7179 56-62 CAPACITOR - voltage regulator, GM #1917580, restored w/Delco logo & part numberCALL
- A7115 56-62 CAPACITOR - voltage regulator, GM #1917580, w/Delco logo & part number21.95
- A7186 56-57 CAPACITOR & BRACKET SET/RADIO - original capacitors restored w/brackets stamped w/GM #'s 1911095, 1917580 & 1929070CALL
- A7187 58-62 CAPACITOR & BRACKET SET/RADIO - original capacitors restored w/brackets stamped w/GM #'s 1911095, 1917580 & 1947452CALL
- A7158 58-60 FACE KIT - radio (black letters)155.00
- A7159 58-60 FACE KIT - radio (white letters)155.00
- A7160 61-62 FACE KIT - radio155.00

NOTE: Radio Face Kits contain: chrome face plate with new lens installed, wonder bar push bar and 5 push buttons.

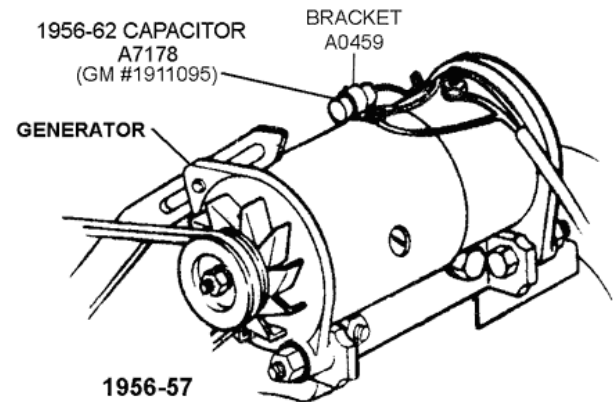
- A7108 53-57 GRILLE SET - speaker (3 pc)70.00



- A7129 58-62 CAPACITOR - coil, GM #1947452, restored original w/Delco logo & part number39.95
- A7185 58-62 CAPACITOR - dash, rear of oil/battery gauge cluster GM #7270568/USED ORIGINAL135.00
- A7178 56-62 CAPACITOR - generator, GM #1911095, restored original w/Delco logo & part number . CALL
- A7113 56-62 CAPACITOR & BRACKET - generator, GM #1911095, w/Delco logo & part number21.95



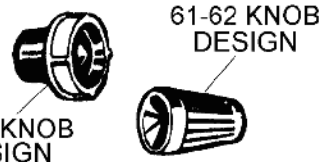
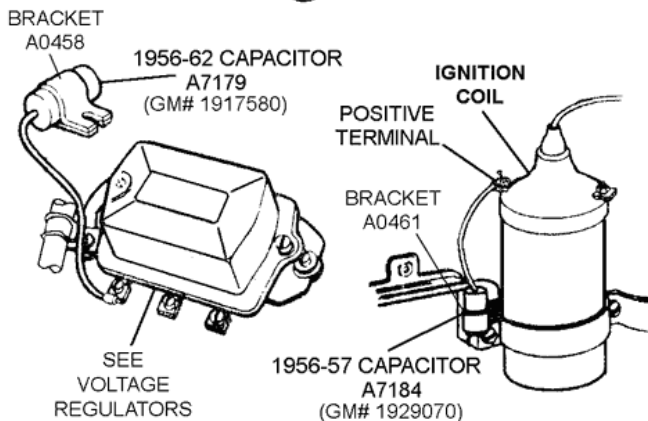
- A7116 58-59 GRILLE/SCREEN - speaker, raised type39.00
- A7118 60-62 GRILLE/SCREEN - speaker, flat type17.00
- A4048 53-62 GROMMET - on firewall for ground wire, 1" single hole2.95
- A7102 55-60 GROUND STRAP KIT - radio25.95
- A7107 61-62 GROUND STRAP KIT - radio25.95
- A9981 58-62 GROUND WIRE - radio to valve cover11.00
- A9919 58-62 HARNESS SET - radio to speaker20.00
- A7132 59-60 KNOB & SPACERS - tone knob & volume spacer (pr)15.90



- A7128 61-62 KNOB - radio (ea)17.95
- A7126 58-60 KNOB - radio, RH (1958 1 req.) (1959-60 2 req.) (ea)19.65
- A7161 58 KNOB - tone control18.75
- A7142 58 KNOBS, BEZELS & BACKPLATE SET89.00
- A7144 59-60 KNOBS, BEZELS & BACKPLATE SET79.00
- A7176 61-62 KNOBS, BEZELS & BACKPLATE SET75.00
- A7131 56-57 KNOB SET - radio / 2pc43.50
- A7150 53 LENS - radio face bezel40.50
- A7151 54-55 LENS - radio face bezel40.50
- A7152 56-57 LENS - radio face bezel30.95
- A7153 58-62 LENS - radio face bezel29.00
- A7162 56-62 NUT SET - radio shafts (pr)3.05

NOTE: A7118 and A7120 may also be used on 1958-59's as a replacement.

- A7166 58 RADIO W/KNOBS & BACKPLATES - wonder bar replica / see features695.00
- A7167 59-60 RADIO W/KNOBS & BACKPLATES - wonder bar replica / see features695.00
- A7168 61-62 RADIO W/KNOBS & BACKPLATES - wonder bar replica / see features695.00
- A7114 58-62 SPEAKER & TRANSFORMER33.65
- G0294 58-62 SPEAKER - 4' dual, pre-wired, replaces original unit completely for upgraded sound . 85.95
- A0827 56-62 STATIC COLLECTOR - front wheels under grease cap (2 reg ea)28.00
- A7181 58-59 STUD & NUT KIT - radio speaker installation . 14.05
- A7163 56-62 WASHER SET - felt, radio knob (pr)3.85
- A7147 56-57 WING KNOB SET - used, prCALL



REAR END

Cases: Posi-Traction "P"

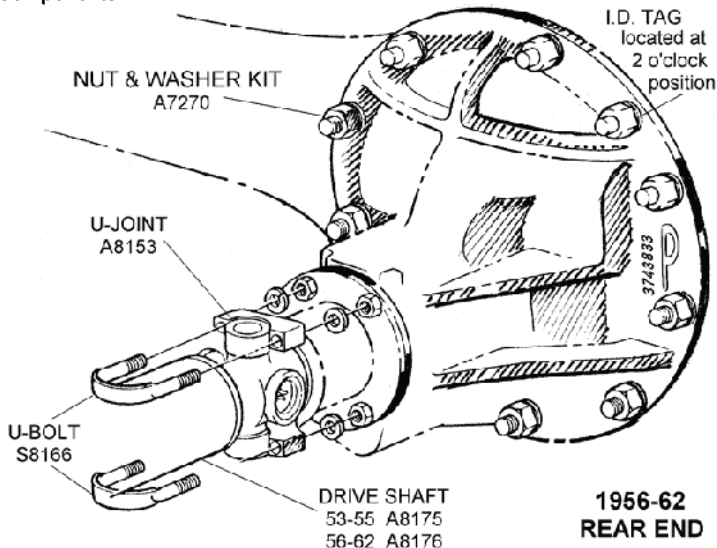
NOTE: Chevrolet began production of posi-traction rear ends in December 1956. Cases produced from December 1956 thru October 1960 feature casting part #3743833. From November 1960 thru August 1962 they carried part #3789812. December 1956 cases are known to have an "O" on the curved portion of the housing (LH side), while January, February and March cases have an "X" by the case casting number to indicate posi-traction. In April 1957, Chevrolet adopted the large "P" by the case casting number on the case. We have the largest selection of these cases in the country. Call for details.

- A7271 57E 'NO X OR P' CASE - rear end, posi GM casting #3743833 / CALL FOR DATES AVAILABLE - USED ONLY IN DECEMBER 1956895.00
- A7272 57M 'X' CASE - rear end, posi GM casting #3743833 / CALL FOR DATES AVAILABLE - USED ONLY IN JANUARY THRU MARCH 1957795.00
- A7290 57 'P' CASE - rear end, posi GM casting #3743833 / CALL FOR DATES AVAILABLE - USED STARTING IN APRIL 1957795.00



- A7291 58 'P' CASE - rear end, posi GM casting #3743833 / CALL FOR DATES AVAILABLE595.00
- A7292 59 'P' CASE - rear end, posi GM casting #3743833 / CALL FOR DATES AVAILABLE595.00
- A7293 60-61 'P' CASE - rear end, posi GM casting #3743833 / CALL FOR DATES AVAILABLE - October 1960 was the last usage for the 3743833 case.595.00
- A7294 61 'P' CASE - rear end, posi GM casting #3789812 / used November 1960 & later - CALL FOR DATES AVAILABLE575.00
- A7295 62 'P' CASE - rear end, posi GM casting #3789812 / CALL FOR DATES AVAILABLE575.00
- A2332 58-62 TAG - round metal, 'Limited Slip', for rear end10.10

Components



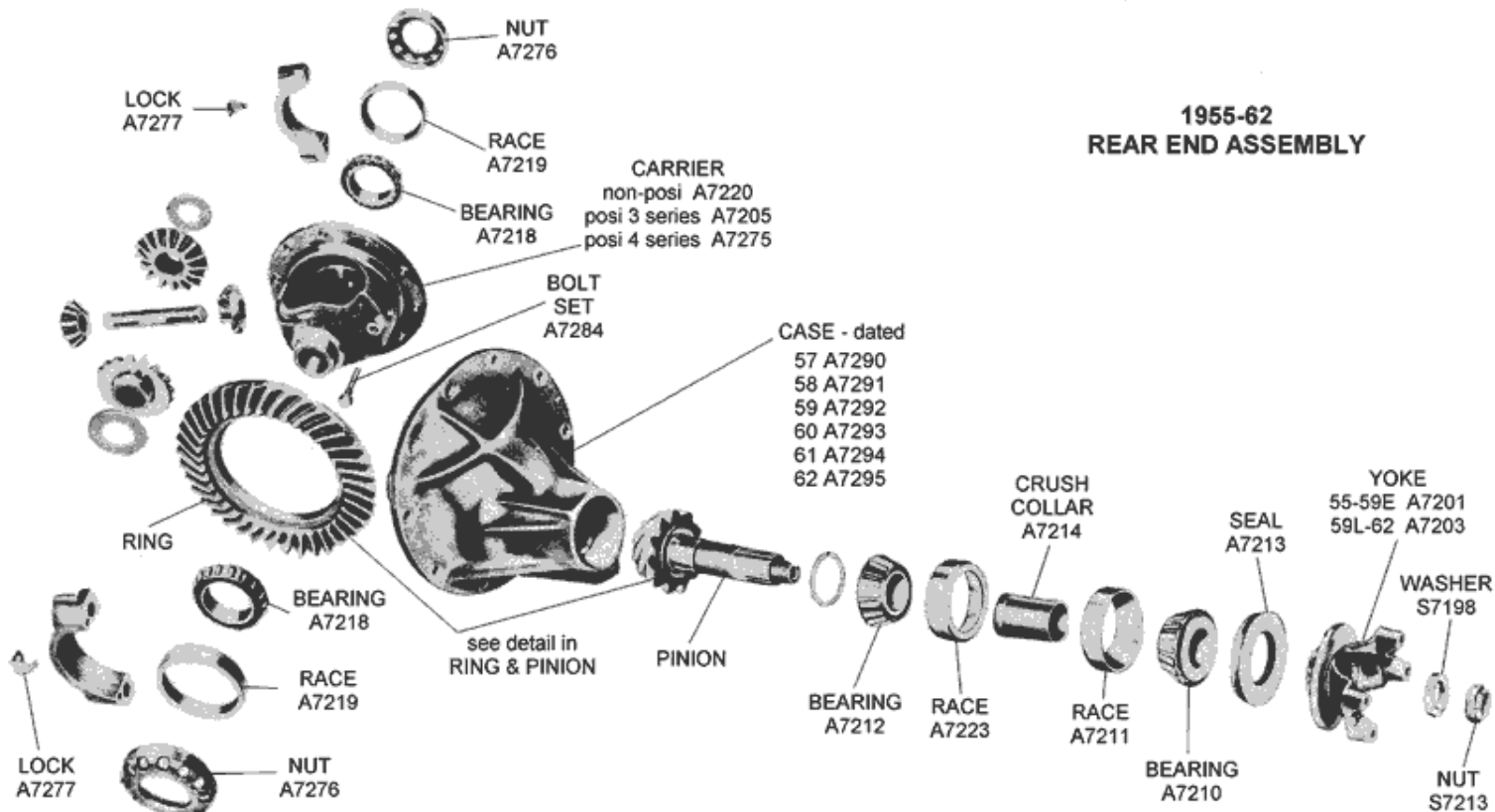
- S7242 57-62 ADDITIVE - posi-traction rear end lubricant fluid16.30
- A7218 53-62 BEARING - carrier side (2 required) (ea)20.60
- A7210 53-62 BEARING - pinion front58.05
- A7212 56-62 BEARING - pinion rear26.00
- A7289 53-62 'U' BOLT - drive shaft to transmission & rear end yoke (2 req.), (ea)6.40
- A7288 59-62 BOLT SET - posi carrier44.95
- A7284 53-62 BOLT SET - ring gear to pinion (10 pc)12.10
- A7263 53-62 BOLT SET - side carrier locks (pr)1.00
- A7364 53-62 CARRIER REBUILD KIT - non-posi rear end, includes spyder gears, side gear set, thrust washers & spyder gear pin280.50

- A7214 53-62 CRUSH COLLAR19.85
- A8170 57-62 FITTING - vent line, posi-traction rear end . .3.35
- A8197 53-62 GASKET - rear end drain plug2.20
- A7266 53-55 GASKET - rear end to banjo housing14.95
- A8119 56-62 GASKET - rear end to banjo housing/thin paper as original7.40
- A0835 53-55 HOUSING - rear end (used)CALL
- A0836 56-58 HOUSING - rear end (used)475.00
- A0837 59 HOUSING - rear end (used)475.00
- A8155 60-62 HOUSING - rear end carrier/banjo(used)475.00
- A8150 57-62 LINE - posi rear end vent11.00
- A8152 57-62 LINE - posi rear end vent (stainless steel) . 12.00
- A7277 53-62 LOCK - side carrier nut, reconditioned original (2 req.) (ea)4.95
- S7303 53-62 LUBRICANT - high-temp synthetic, for posi (does not require posi additive) & non-posi rear ends, 1 quart (2 req., ea)12.95
- S7241 53-62 LUBRICANT - rear end, quart (2 quarts req., ea)5.00
- A7220 56-62 NON POSI CARRIER ASSEMBLY - 3 series, used, guaranteed95.00
- A7270 53-62 NUT & COPPER WASHER KIT - rear end to axle housing (20 pc)15.00
- S7213 53-62 NUT - pinion8.25
- A7276 53-62 NUT - side lock, reconditioned (2 req.) (ea)9.95
- A7224 53-64 PLUG - rear end drain, in banjo housing16.75
- A7205 57-62 POSI CARRIER ASSEMBLY - 3 series, used, guaranteed495.00
- A7275 57-62 POSI CARRIER ASSEMBLY - 4 series, used, guaranteed425.00
- A7215 57-62 POSI CLUTCH PACK - 10 pc102.50
- A7211 53-62 RACE - front pinion bearing11.05
- A7223 53-62 RACE - rear pinion bearing19.90
- A7224 53-62 RACE - rear pinion bearing16.75
- A7219 53-62 RACE - side bearing (2 req.) (ea)18.15

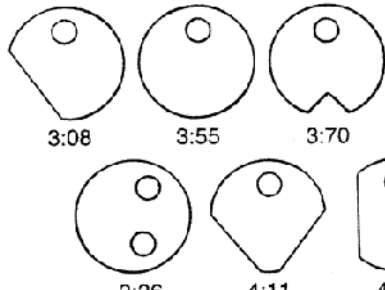
1956-62 REAR END REBUILD KITS

A7222	57-62	POSI KIT		
A7299	56-62	NON-POSI KIT		
A7210		BEARING - pinion, front	1	1
A7212		BEARING - pinion, rear	1	1
A7218		BEARING - side	2	2
A7214		CRUSH COLLAR	1	1
A8119		GASKET - rear end to banjo housing	1	1
S7241		LUBRICANT - rear end	2	2
S7213		NUT - pinion shaft	1	1
A7215		POSI CLUTCH PACK		1
S7242		POSI ADDITIVE		1
A7211		RACE - front pinion bearing	1	1
A7223		RACE - rear pinion bearing	1	1
A7219		RACE - side bearing	2	2
A7213		SEAL - pinion	1	1
S7240		VENT - rear end		1

- A7222 57-62 REBUILD KIT - rear end - w/positraction ...240.15
- A7299 56-62 REBUILD KIT - rear end - w/o positraction ...198.00
- A7281 56-62 RING & PINION - 3:08 (used & guaranteed) ...175.00
- A7282 56-62 RING & PINION - 3:36 (used & guaranteed) ...125.00
- A7202 56-62 RING & PINION - 3:55 (new)319.95
- A7209 56-62 RING & PINION - 3:55 (used & guaranteed) ...179.95
- A7204 56-62 RING & PINION - 3:70 (new)299.95
- A0520 56-62 RING & PINION - 3:70 (used & guaranteed)CALL
- A7206 56-62 RING & PINION - 4:11 (new)289.95
- A7265 56-62 RING & PINION - 4:11 (used & guaranteed)CALL
- A7208 53-62 RING & PINION - 4:56 (new)299.95
- A7221 56-62 RING & PINION - 4:56 (used & guaranteed) ...149.95
- A7267 56-62 RING & PINION - 4:88 (used & guaranteed) ...149.95
- A7269 56-62 RING & PINION - 5:57 (used & guaranteed) ...149.95
- A7268 56-62 RING & PINION - 5:38 (used & guaranteed) ...149.95
- A7225 53-55 SEAL - pinion / rear end46.00
- A7213 56-62 SEAL - pinion17.00



**1955-62
REAR END ASSEMBLY**



REAR AXLE TAGS
(see application)

These metal tags, about 1 1/2" in diameter, were used on the axle housing stud at the 2 o'clock position.

The different shapes show which ratio ring & pinion was installed.

NOTE: A7240 - A7254 Posi Rear Ends totally restored with all new bearings, races and Posi Pack. Prices are outright! All feature 90 day warranty subject to certain conditions. 3:70 / 4:11 / 4:56 with used ring & pinions subject to availability.

A7261 57-62 RESTORATION SERVICE - rear end, posi, total restoration of your Rear end, includes disassembly, cleaning, all new bearing/races/seals/posi-pack/set-up549.95

A2400 55-62	TAG - metal, rear axle ID, 3:08 ratio8.25
A2403 55-62	TAG - metal, rear axle ID, 3:36 ratio8.25
A2401 55-62	TAG - metal, rear axle ID, 3:55 ratio8.25
A2402 55-62	TAG - metal, rear axle ID, 3:70 ratio8.25
A2404 55-62	TAG - metal, rear axle ID, 4:11 ratio8.25
A2405 55-62	TAG - metal, rear axle ID, 4:56 ratio8.25
A2332 58-62	TAG - round metal, 'Limited Slip', for rear end10.10

NOTE: A2400-A2405 were used as an ID tag on all rear ends (posi or non).

S7355 53-62	VENT - rear end / metal - all w/o posi-traction / installs on banjo housing	..26.00
S7240 57-62	VENT - differential5.90
S7198 53-62	WASHER - behind pinion nut6.60
A7201 55-59E	YOKE - pinion, rear end, small, original, reconditioned89.95
A7203 59L-62	YOKE - pinion, rear end, large, original, reconditioned89.95

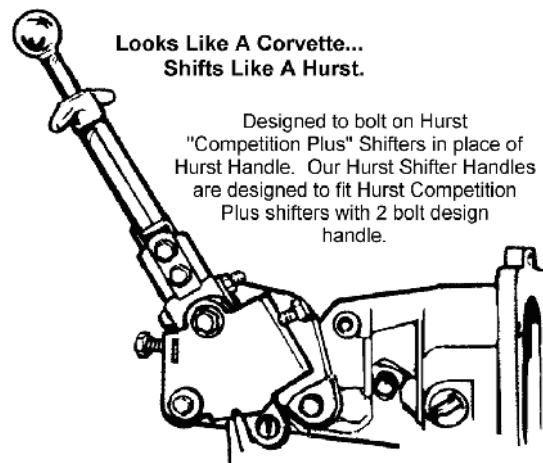
Rear End Assemblies: Non-Posi - Restored

A7255 53-62	REAR END - 3:08 ratio595.00
A7256 53-62	REAR END - 3:36 ratio595.00
A7257 53-62	REAR END - 3:55 ratio595.00
A0826 56-62	REAR END - 3:70 ratio695.00
A7258 53-62	REAR END - 3:70 ratio, w/new ring & pinion	.795.00
A7259 53-62	REAR END - 4:11 ratio, w/new ring & pinion	.795.00
A7260 53-62	REAR END - 4:56 ratio795.00
A7262 53-62	RESTORATION SERVICE - rear end, non-posi	..424.95

Rear End Assemblies: Posi Traction - Restored / in non "P" Case

A7250 56-62	REAR END - 3:08 ratio995.00
A7251 56-62	REAR END - 3:36 ratio995.00
A7252 56-62	REAR END - 3:55 ratio995.00
A7296 56-62	REAR END - 3:55 ratio, w/new ring & pinion	1,195.00
A0843 56-62	REAR END - 3:70 ratio995.00
A7253 56-62	REAR END - 3:70 ratio, w/new ring & pinion	1,195.00
A7254 56-62	REAR END - 4:11 ratio, w/new ring & pinion	1,195.00
A7280 56-62	REAR END - 4:56 ratio995.00

SHIFTER



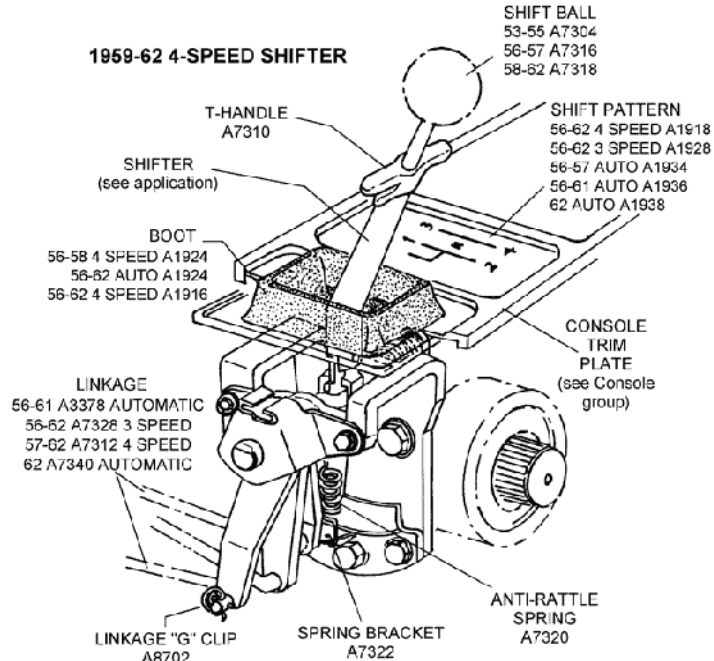
**Looks Like A Corvette...
Shifts Like A Hurst.**

Designed to bolt on Hurst "Competition Plus" Shifters in place of Hurst Handle. Our Hurst Shifter Handles are designed to fit Hurst Competition Plus shifters with 2 bolt design handle.

A7382 56-62	BOLT SET- shifter mount2.90
A7322 57-62	BRACKET - 4-speed shifter anti-rattle spring5.85
A7301 56-62	BUSHING SET - Hurst shifter5.90
A7302 56-62	CLEVIS & PIN KIT - 3 or 4 speed shifter linkage1.00
A8702 56-62	CLIP - shifter/clutch rod, 'G' type (ea)1.00
A7313 59-62	COVER - 4 speed shifter handle47.80
A7310 59-62	HANDLE - 4 speed., w/shifter reverse lockout & cable, 'T' type54.30
A7342 56-58	HANDLE ASSEMBLY- 4 speed shifter (looks original fits Hurst shifter, uses stock shifter boot)66.35
A7346 59-62	HANDLE ASSEMBLY- 4 speed shifter (looks original fits Hurst shifter, uses stock shifter boot)120.95
A7304 53-55	KNOB - shifter36.75
A7316 56-57	KNOB - shifter, chrome25.75
A7318 56-62	KNOB - shifter, white13.95

- A7303 54-61 LEVER - auto shifter on transmission109.00
- A7305 56-62 LEVER - on trans., 3 speed shifter for 1st & reverse shifting68.40
- A7307 56-62 LEVER - on trans., 3 speed shifter for 2nd & 3rd shifting68.40
- A7328 56-62 LINKAGE KIT - 3 speed shifter rodsCALL
- A7312 57-62 LINKAGE KIT - 4 speed shifter, BW85.75
- A7314 57-62 LINKAGE KIT - 4 speed shifter, Muncie91.45
- A7340 62 LINKAGE KIT - auto shifter39.95
- A7324 56 SHIFTER - 3 speed, w/knob315.00
- A7326 57-58 SHIFTER - 3 speed, w/knob303.45
- A7360 59-62 SHIFTER - 3 speed, w/knob289.00
- A7306 57-58 SHIFTER - 4 speed, w/knob308.00

1959-62 4-SPEED SHIFTER



- A7308 59-62 SHIFTER - 4 speed, w/knob369.00
- A7300 53-55 SHIFTER - automatic, w/knob & linkageCALL
- A7332 56 SHIFTER - auto, w/knob311.35
- A7334 57-61 SHIFTER - auto, w/knob301.75
- A7336 62 SHIFTER - auto, w/knob311.35
- A7607 56-58 SHIFTER ASSEMBLY - Hurst (BW trans.), w/correct handle439.00
- A7609 56-58 SHIFTER ASSEMBLY - Hurst (63-68 Muncie trans.), w/correct handle479.00
- A7611 56-58 SHIFTER ASSEMBLY - Hurst (69-82 Muncie trans.), w/correct handle485.00
- A7613 59-62 SHIFTER ASSEMBLY - Hurst (BW trans.), w/correct handle415.00
- A7615 59-62 SHIFTER ASSEMBLY - Hurst (63-68 Muncie trans.), w/correct handle479.00
- A7617 59-62 SHIFTER ASSEMBLY - Hurst (69-82 Muncie trans.), with correct handle485.00

NOTE: Hurst 4-speed Shifter Assemblies include shifter, linkage and Hurst reproduction shifter handle.

- A7320 59-62 SPRING - anti-rattle, 4 speed shifter6.75

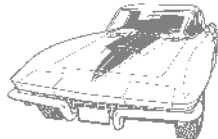
ORDER BY PHONE:

1-800-872-2446



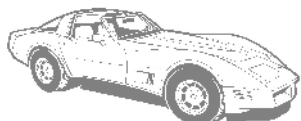
ORDER BY FAX:

708-458-2662



TECHNICAL QUESTIONS:

708-458-2500



CUSTOMER SERVICE:

708-458-6577

QUESTIONS ABOUT YOUR ORDER:

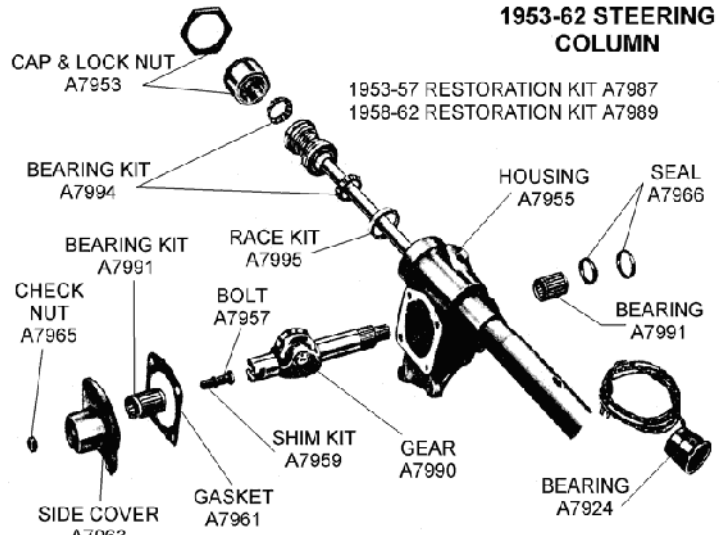
708-458-2500

STEERING COLUMN

Rebuilding Components & Assembly

- A7922 53-62 BEARING & SEAL KIT - steering box (no ball bearings included)79.95

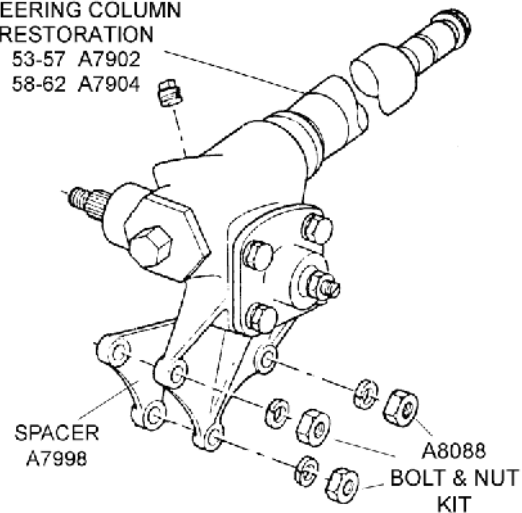
1953-62 STEERING COLUMN



- A7924 53-62 BEARING W/HORN WIRE- upper steering column . .68.20
- A7957 53-62 BOLT - lock adjuster (steering column)9.00
- A7965 53-62 CHECK NUT1.50
- A7963 53-62 COVER - side, gear box housing (reconditioned original)69.95
- A7996 53-62 GASKET - housing side cover5.50
- A7955 53-62 HOUSING - gear box (reconditioned original) 195.00
- A7953 53-62 LOCK NUT & CAP - worm gear adjuster (reconditioned original)69.95
- A7913 53-62 LUBRICANT - steering column10.50

STEERING COLUMN RESTORATION

- 53-57 A7902
- 58-62 A7904



- A7902 53-57 RESTORATION - steering column, (w/exchange) 749.95
- A7904 58-62 RESTORATION - steering column, (w/exchange) 749.95

NOTE: On A7902 and A7904, restorations include the installation of A7987 or A7989.

- A7987 53-57 RESTORATION SUPER KIT - steering column ...449.95
- A7989 58-62 RESTORATION SUPER KIT - steering column ...449.95

NOTE: A7987 and A7989 include new sector and worm gear, main shaft, bearings, races, seals, gaskets and lube kit.

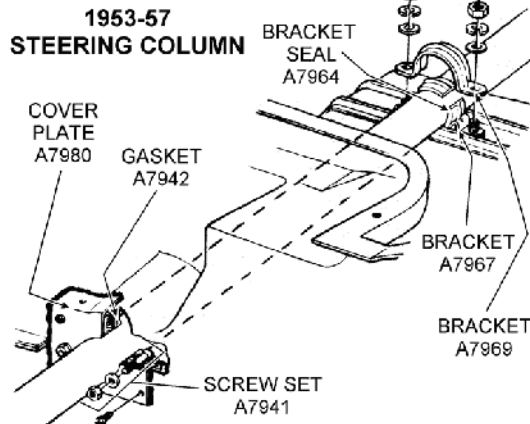
- A7959 53-62 SHIM KIT - lock adjuster18.50
- A7911 53-62 SPRING - upper steering column bearing6.40
- A7931 53-57 TUBE & HOUSING - gear box, steering column, (used)249.95
- A7933 58-62 TUBE & HOUSING - gear box, steering column, (used)249.95
- A9983 53-62 WIRE - horn, inserts through steering column12.50

DO YOU HAVE A TECHNICAL QUESTION?

Call our technical department at 708-458-2500 for assistance.

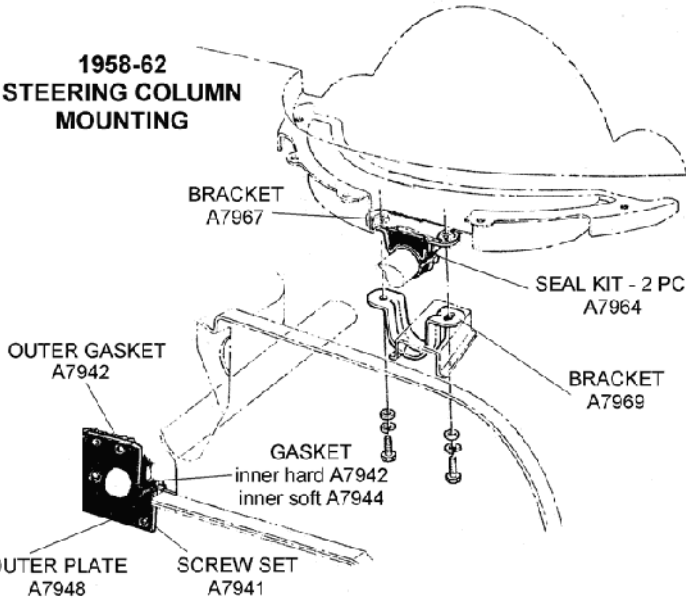


Steering Column Mounting



- A2102 53-57 BEZEL - steering column w/parking brake light hole68.95
- A8088 53-62 BOLT SET - lower steering column to frame (9 pc)12.70
- A7940 58-62 BRACKET - lower steering column cover18.70
- A8041 56-62 BRACKET - steering box stop, on frame66.30
- A7969 53-62 BRACKET - steering column mount under dash, 'U' type (recond. original)28.30
- A7967 53-62 BRACKET - steering column mounting, under dash (53-57 lower, 58-62 upper)26.20
- G2600 53-57 CAULK - steering column cowl plate, (10 1-foot strips)6.45
- A7938 58-62 COVER & SCREW - lower steering column40.70
- A7993 53-62 COVER - steering column wiring14.95
- A7936 58-62 COVER, BRACKET & SCREW - lower steering column134.50

1958-62 STEERING COLUMN MOUNTING

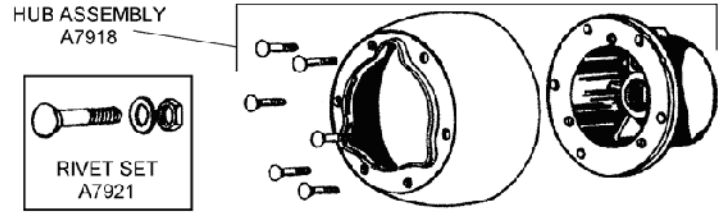


- A7942 56-62 GASKET - inner steering column, hard36.75
- A7944 56-62 GASKET - inner steering column, soft6.50
- A7946 56-62 GASKET - outer steering plate, soft6.75
- A5555 53-57 JEWEL (Red) & bezel - parking brake alarm light, used/originalCALL
- A7980 53-57 PLATE - steering column passage on engine side of firewall36.75
- A7948 58-62 PLATE - steering column passage on engine side of firewall12.85
- A7968 56-57 PLUG (CHROME) - parking brake flasher light hole6.40
- A7952 58-62 SCREW - steering column lower cover3.00
- A7941 56-62 SCREW SET - steering column inner gasket/plate (6 pc)5.90
- A7964 53-62 SEAL - steering column mount bracket under dash (2 pc)20.60
- A7901 58-62 SHIM SET- steering column mount bracket (3pc)10.85
- A7998 53-62 SPACER - between steering box and frame (reconditioned)85.00

STEERING WHEEL

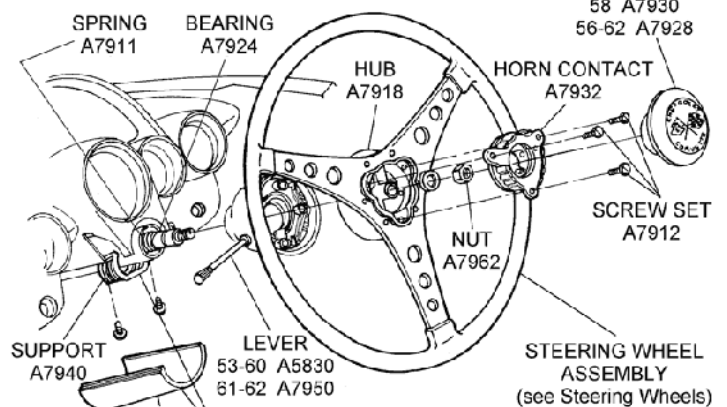
Steering Wheel & Horn

- A7982 53-62 BELL - turn signal, w/switch assembly, used .59.95
- A7954 56-62 BOLT - turn signal canceling switch pivot11.25
- A7934 56-62 BRUSH - horn contact9.35
- A7932 56-62 CONTACT - horn29.15
- A2752 53-55 HORN BUTTON - emblem assembly65.20
- A7930 58 HORN BUTTON - horn (white lettering)45.35
- A7928 56-62 HORN BUTTON - (black lettering)44.00
- A7908 53-55 HORN RING449.00

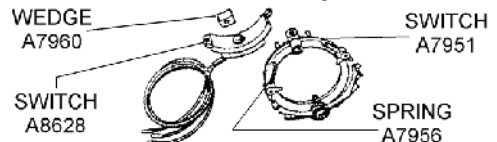


- A7918 56-62 HUB ASSEMBLY - steering wheel, w/fasteners .127.95
- A7915 56-62 JAMB NUT - turn signal handle (ea)1.65

1958-62 STEERING WHEEL ASSEMBLY



- SCREW A7952 COVER, BRACKET & SCREW A7938
- A5830 53-60 LEVER - turn signal, w/jamb nut20.00
- A7950 61-62 LEVER - turn signal, w/jamb nut20.90
- A7962 56-62 NUT - steering wheel hub mount12.15
- A8312 53-62 PULLER - steering wheel hub20.50
- A7979 53-62 RIVET SET - horn contact, plastic (3 pc)2.50
- A7921 56-62 RIVET SET - steering wheel to hub, screw type (6 pc)23.35
- A7912 56-62 SCREW SET - horn contact w/washers (6 pc)2.90
- A7926 56-62 SPRING - steering column bearing, upper5.50
- A7945 56-62 SPRING - turn signal canceling switch, 'W' shape9.65
- A7956 56-62 SPRING - turn signal canceling switch, flat centering9.65
- A7943 56-62 SPRING SET - turn signal canceling switch pivot (pr)4.95
- A7916 56-57 STEERING WHEEL - Venetian red459.00
- A7970 56-57 STEERING WHEEL - shoreline beige459.00
- A7972 58 STEERING WHEEL - signet red459.00
- A7973 58-60 STEERING WHEEL - frost blue459.00
- A7975 58-62 STEERING WHEEL - black459.00
- A7976 59-62 STEERING WHEEL - red449.00
- A7974 59-60 STEERING WHEEL - turquoise459.00
- A7977 61 STEERING WHEEL - jewel blue475.00
- A7978 61-62 STEERING WHEEL - fawn beige459.00



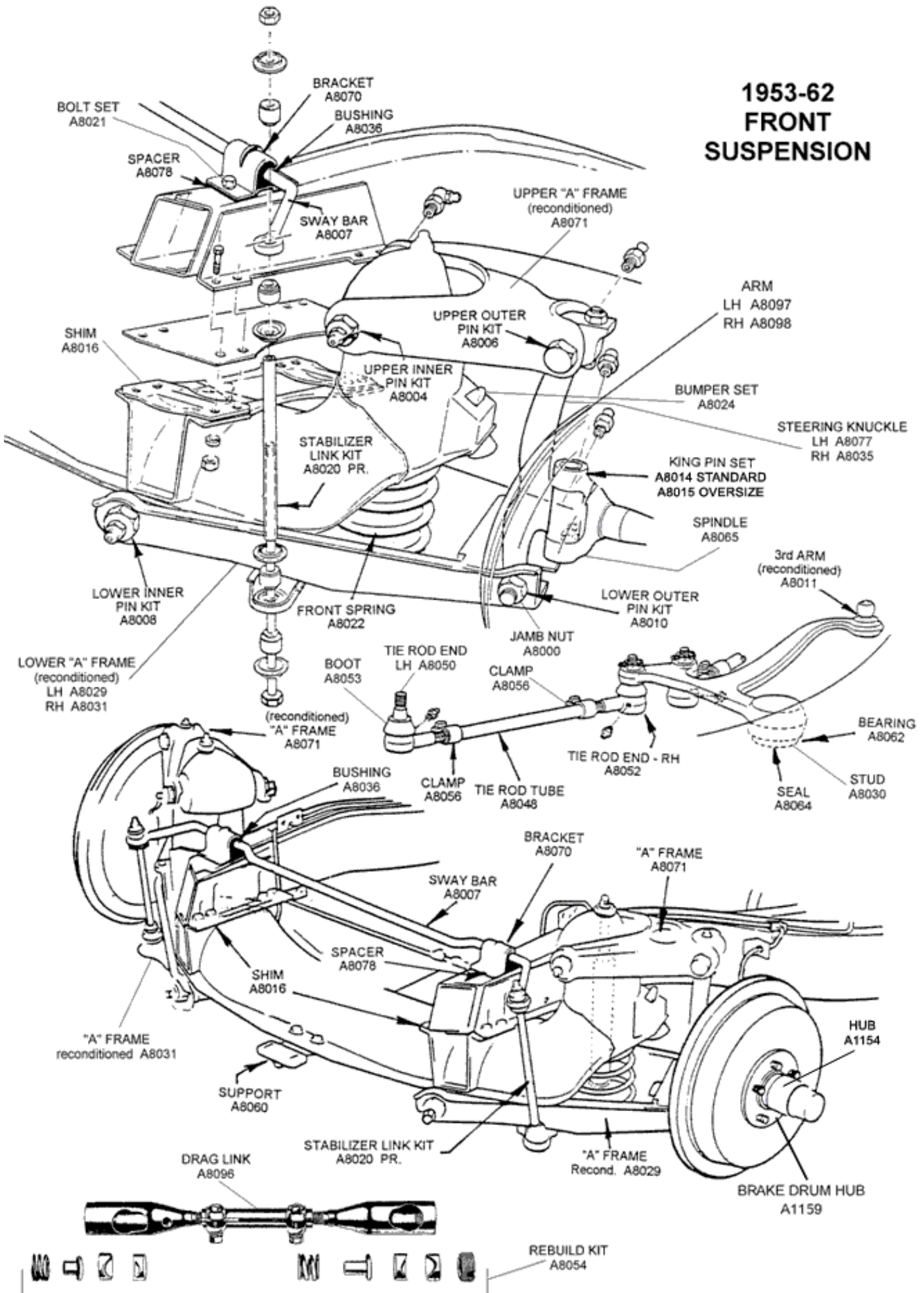
- A7951 56-62 SWITCH ASSEMBLY - turn signal canceling76.75
- A8628 55-62 SWITCH ASSEMBLY - turn signal, w/wire harness (12 volt)26.25
- A7960 56-62 WEDGE - turn signal housing lock, (w/screw)9.00

SUSPENSION - FRONT & REAR

Front Suspension: A Arms & Related Components

- A8029 53-62 'A' FRAME - lower, LH, used/reconditioned .239.95
- A8031 53-62 'A' FRAME - lower, RH, used/reconditioned .239.95
- A8071 53-62 'A' FRAME - upper, used/reconditioned LH

1953-62 FRONT SUSPENSION



	or RH) (ea)	119.95
A8019 53-62	BOLT SET - lower inner shafts to cross member, 'TR' hm (24 pc)	20.15
A8034 53-62	BRACKET - front lower shock mount	20.00
A0831 53-62	BUSHING/INSERT SET - upper inner shaft 'A' arm thread repair	34.85
A8099 53-62	GREASE FITTING KIT - services all 8 pin kits, 22 pc	20.50
A8000 53-62	JAM NUT SET - outer lower 'A' arm shafts (2pc)	8.35
A8023 53-62	MOUNT KIT - front shock absorber (does 1 shock)	10.95
A8008 53-62	PIN (SHAFT) KIT - lower inner w/grease fitting	93.95
A8010 53-62	PIN (SHAFT) KIT - lower outer w/grease fitting	40.25
A8004 53-62	PIN (SHAFT) KIT - upper inner w/grease fitting	34.95
A8006 53-62	PIN (SHAFT) KIT - upper outer w/grease fitting	47.85
A8073 53-62	SEAL KIT - 8 front end shafts (16 pc)	25.40
A8025 53-62	SHOCK - front, gas	34.40
A8032 53-62	SHOCK - front, standard, (replacement)	31.75
A8022 53-62	SPRING - front, standard	39.95
A8323 53-62	SPRING COMPRESSOR - front coil springs/to allow disassembly of front end	69.95

Front Suspension: Crossmember

A8018 53-62	BOLT & NUT KIT - front cross member to frame, course thread, 'TR' head mark, (48 pc)	22.85
A8026 53-62	BUMPER SET - control arm, lower (pr)	11.95
A8028 53-62	BUMPER SET - control arm, upper (pr)	12.95
A8024 53-62	BUMPER SET - suspension, front upper/lower (4 pc)	19.95
A8047 53-62	CROSSMEMBER - front (used)	349.95
A8005 53-62	REPAIR BUSHING - threaded insert, for upper tower hole repair where upper inner shaft goes thru (pr)	34.75

NOTE: Repair bushing A8005 should only be done by a qualified suspension expert.

A8016 56-62	SHIM - front, aluminum (2 req), (ea)	19.95
-------------	--	-------

Front Suspension: Rebuild Kits 4 Types

FRONT SUSPENSION REBUILD KITS				
A8002	53-62	STANDARD KIT		
A8049	53-62	PLUS KIT		
A8003	53-62	SUPER KIT		
A8067	53-62	PRO KIT		
A8004		PIN (SHAFT) KITS - upper, inner	2	2
A8006		PIN (SHAFT) KITS - upper, outer	2	2
A8008		PIN (SHAFT) KITS - lower, inner	2	2
A8010		PIN (SHAFT) KITS - lower, outer	2	2
A8050		TIE RODS - LH	2	2
A8052		TIE RODS - RH	2	2
A8014		KING PIN SET (pr)	1	1
A8020		STABILIZER BAR LINK KIT (pr)	1	1
A8048		TIE ROD TUBES	2	2
A8056		CLAMPS - tie rod tube	4	4
A8062		BEARING - third arm	1	1
A8064		SEAL - third arm	1	1
A8024		BUMPER SET - upper/lower "A" arms, rubber	1	1
A8016		SHIMS - aluminum	2	2

A8002 53-62	FRONT SUSPENSION STANDARD REBUILDING KIT - see table at left for details	439.00
A8049 53-62	FRONT SUSPENSION PLUS REBUILDING KIT- see table at left for details	469.00
A8003 53-62	FRONT SUSPENSION SUPER REBUILDING KIT - see table at left for details	549.00
A8067 53-62	FRONT SUSPENSION PRO REBUILDING KIT - see table at left for details	579.00

Front Suspension: Spindle Related

A8042 53-62	BALL BEARING & RACE - front inner wheel, original style	54.80
A8040 53-62	BALL BEARING & RACE - front outer wheel, original style	34.95
A8072 53-62	BALL BEARING & RACE KIT - inner & outer bearings (does both sides, 4 pc)	145.95

NOTE: For roller bearings, see below.

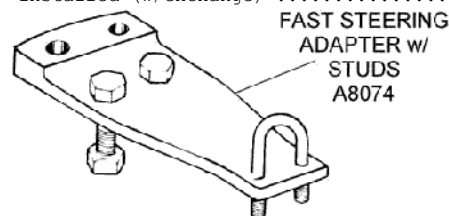
A8102 53-62	BEARING KIT/ROLLER TYPE - 2 FRONT SPINDLES (4pc)	217.20
A8046 56-62	CAP - front wheel hub - keeps dust & dirt out of the grease & bearings, 'correct' (ea) ..	8.55
A8017 56-62	CAP - front wheel hub - keeps dust & dirt out of the grease & bearings, replacement, (ea) ..	4.50
A8080 53-62	COTTER PIN SET - spindle nut (pr)	1.05
A1159 53-62	HUB - brake drum, front, reconditioned (original)	100.00
A8014 53-62	KING PIN SET - both sides, w/thrust bearings (does both sides)	44.95
A8015 53-62	KING PIN SET - both sides, oversized pin bearings, w/thrust bearings, may require some reaming of your spindle, does both sides ..	139.95
A8035 53-62	KNUCKLE - steering, attaches to spindle, LH, #3733449, recond. (53-55 repl.)	225.00
A8077 53-62	KNUCKLE - steering, attaches to spindle, RH, #3733450, recond. (53-55 repl.)	225.00
A9406 53-62	LUG NUT - wheel	1.00
A9461 56-62	LUG NUT SET - does four wheels, (20 pc)	14.45
S8025 53-62	NUT - spindle (2 req, ea)	5.20
A8083 53-62	ROLLER BEARING & RACE - front wheel inner ..	48.75

NOTE: Ball bearings were standard, but roller bearings, as shown under part A8081, A8082, and A8083, provide larger bearing surfaces for longer life, better stability and ride.

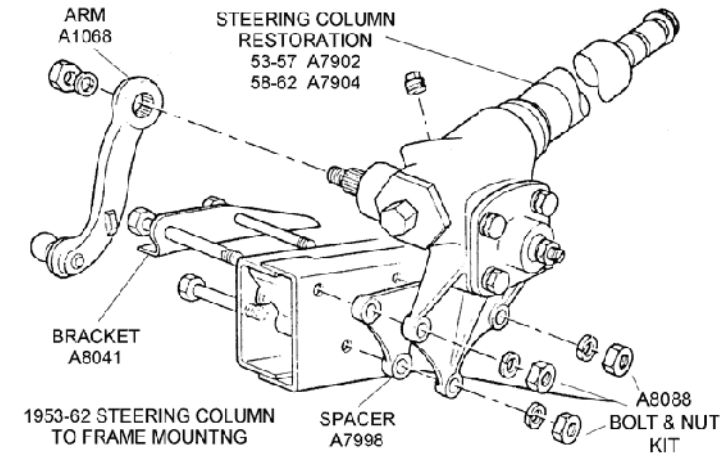
A8081 53-57	ROLLER BEARING & RACE - front wheel outer ..	38.35
A8082 58-62	ROLLER BEARING & RACE - front wheel outer ..	44.85
A8044 53-62	SEAL - front inner wheel bearing (2 req. ea.)	13.95
A8065 53-62	SPINDLE - front hub/used-reconditioned	135.00
S8065 53-62	SPINDLE FASTENER KIT - includes nut, washer & cotter key, (6 pc)	6.50
A0827 56-62	STATIC COLLECTOR - front wheels under grease cap (2 req ea)	28.00
A1001 53-62	STUD/LUG - on brake drum, wheel mounting (1-5/8" OL)	3.65
A1007 60-62	STUD/LUG - on brake drum, wheel mounting (1-7/8" OL)	2.65
S8056 53-62	WASHER - bearing retainer, front spindle	3.00

Front Suspension: Steering Rack

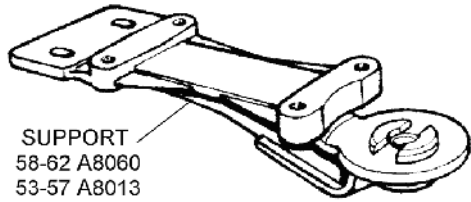
A8011 53-62	3rd ARM - reconditioned w/new ball stud installed (w/exchange)	125.00
-------------	--	--------



A8074 56-62	ADAPTER - fast steering, w/studs	160.00
A8097 53-62	ARM - front steering, #3733451 - wheel backing plate (LH)	46.95
A8098 53-62	ARM - front steering, #3733452 - wheel backing plate (RH)	46.95
A8012 53-62	BALL STUD - third arm or steering box arm (ea)	42.95
A8062 53-62	BEARING - third arm & steering column (ea) ..	42.95
A8063 53-62	BOLT & NUT KIT - steering knuckle pinch, upper	4.25
A8039 53-62	BOLT & NUT KIT - tie rod clamps, 'UR' head mark (8pc)	7.95
A8089 53-62	BOLT & WASHER KIT - third arm bearing support to cross member 8 pc	6.95
A8088 53-62	BOLT SET - lower steering column to frame (9 pc)	12.70
A8041 56-62	BRACKET - steering box stop, on frame	66.30
A8056 53-62	CLAMP - tie rod end (4 req.) (ea)	8.25
A8096 53-62	DRAG LINK - reconditioned, w/rebuild kit ..	149.95
A8053 53-62	DUST BOOT/GREASE SEAL - tie rod, rubber, (included w/new tie rod ends)	3.95
A8059 53-62	DUST BOOT/GREASE SEAL SET - tie rods, polyurethane (2 pc)	8.00
A8079 53-62	NUT - 3rd arm bearing stud	4.50
A8043 53-62	NUT - pitman arm	7.45
A8066 53-62	NUT - tie rod end, castle/slotted type (ea) ..	1.75



- A1068 53-62 PITMAN ARM - steering box, w/new ball stud installed, reconditioned, w/exchange125.00
- A8054 53-62 REBUILD KIT - for pitman arm/drag link (seat, springs, cap)109.95
- A8058 53-62 SEAL - pitman arm & drag link (not included in A8054), (2 req.)12.25
- A8064 53-62 SEAL - third arm bearing4.50
- A8009 53-62 SNAP RING - 3rd arm bearing10.95
- A7998 53-62 SPACER - between steering box and frame (reconditioned)85.00
- A8030 53-62 STUD - 3rd arm bearing, mounts inside bearing & attaches to 3rd arm support27.75
- A8069 56-62 STUD/U-BOLT KIT - fast steering adapter62.00
- A8013 56-57 SUPPORT - bearing, 3rd arm, bolts to cross member300.00



- A8060 58-62 SUPPORT - bearing, 3rd arm, bolts to cross member300.00
- A8050 56-62 TIE ROD END - LH19.85
- A8052 56-62 TIE ROD END - RH19.85
- A8048 53-62 TIE ROD SLEEVE - (2 required, ea)26.70

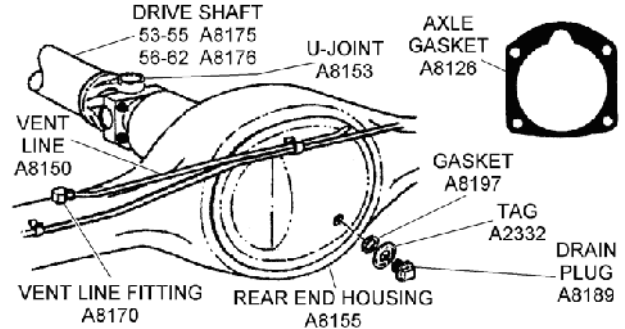
Front Suspension: Sway/Stabilizer Bar

- A8021 56-62 BOLT SET - front stabilizer bar to top of frame rail attaching, 'TR' head mark, (4 pc) 11.50
- A8070 53-62 BRACKET - front stabilizer bar bushing (2 req. ea)12.25
- A8051 57-62 BUSHING - front sway bar, 57-59 heavy duty, 60-62 all 1' size17.25
- S8356 53-62 BUSHING SET - front stabilizer link kit, polyurethane, (8 pc.)18.95
- A8037 56-62 BUSHING SET - front sway bar, 1' polyurethane, (2 pc)24.00
- A8038 60-62 BUSHING SET - front sway bar 13/16 polyurethane29.95
- A8036 53-59 BUSHING SET- front or rear sway bar, 5/8' (2pc)17.50
- A8075 56-62 BUSHING SET - stabilizer links (rubber) (8 pc)13.25
- A8020 53-62 LINK KIT - stabilizer, front (pr)25.75
- A8078 53-62 PLATE/SPACER - front stabilizer bar bushing . .8.55
- A8076 53-59 SWAY BAR - front (original, reconditioned) .210.00
- A8087 60-62 SWAY BAR - front 7/8' (original, reconditioned)210.00
- A8007 56-62 SWAY BAR - front, 1' (replacement)174.00

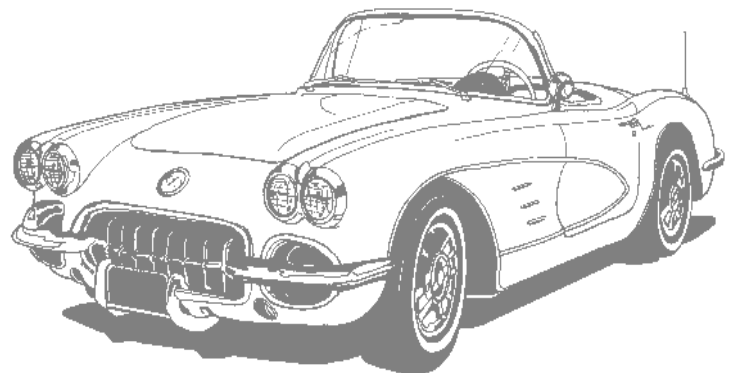
Rear Suspension: Axle Housing & Components

- A0838 53-62 'U' BOLT & NUT SET - rear axle (4 axle 'U' bolts & 8 nuts)42.00
- A8138 53-62 'U' BOLT & NUTS - rear axle (4 req), (ea) ...12.95
- A8201 53-55 AXLE - rear end, RH (29 1/2' OL/17 spline), reconditioned, original225.95
- A8203 56 AXLE - rear end, RH (30 5/16' OL/17 spline), reconditioned, original225.95
- A8200 53-55 AXLE - rear end, LH (28 1/2' OL/17 spline), reconditioned, original225.95
- A8202 56 AXLE - rear end, LH (28 13/16' OL/17 spline), reconditioned, original225.95

- A8204 57-62 AXLE - rear end, LH (28 13/16' OL/17 spline), reconditioned, original225.95
- A8205 57-62 AXLE - rear end, RH (30 5/16' OL/17 spline), reconditioned, original225.95
- A8121 56 BEARING - rear wheel54.25
- A8123 57 BEARING - rear wheel62.95
- A8124 58-62 BEARING - rear wheel74.95
- A8170 57-62 FITTING - vent line, posi-traction rear end . .3.35
- A8119 53-62 GASKET - rear end7.40
- A8197 53-62 GASKET - rear end drain plug2.20
- A8126 56-62 GASKET - rear end outer axle housing5.95



- A0835 53-55 HOUSING - rear end (used)CALL
- A0836 56-58 HOUSING - rear end (used)475.00
- A0837 59 HOUSING - rear end (used)475.00
- A8155 60-62 HOUSING - rear end carrier/banjo(used)475.00
- A8150 57-62 LINE - posi rear end vent11.00
- A8152 57-62 LINE - posi rear end vent (stainless steel) . 12.00
- A9406 53-62 LUG NUT - wheel1.00
- A8136 53-62 MOUNT KIT - rebound straps, rear, (does 2) .15.50
- A7270 53-62 NUT & COPPER WASHER KIT - rear end to axle housing (20 pc)15.00
- A8140 53-62 NUT - rear axle 'U' bolt, (ea)3.45
- A8141 53-62 NUT KIT - rear axle 'U' bolts, (8 pc)13.80
- G5003 53-62 PAINT - black, semi gloss, 12 oz. aerosol6.50
- G5025 53-62 PAINT - gloss black, 12 oz. aerosol6.50
- A8189 58-62 PLUG - rear end drain, fine thread7.20
- A8139 56-62 RETAINER - rear bearing, used, reconditioned25.00
- A8127 53-55 SEAL - rear wheel bearing9.30
- A8129 56 SEAL - rear wheel bearing18.70
- A8103 56-57 SEAL - rear wheel bearing, heavy duty9.50
- A8105 57-59 SEAL - rear wheel bearing, (w/o posi) (w/o heavy duty)74.95
- A8181 60-62 SEAL - rear wheel bearing w/o posi10.20
- A8109 60-62 SEAL - rear wheel bearing w/posi11.40
- A8157 53-58 STRAP SET - w/hardware kit rebound rear axle (pr)68.95
- A8159 59 STRAP SET - w/hardware kit rebound rear axle (pr)67.95
- A8169 60E STRAP SET - w/hardware kit rebound rear axle (thru June60) (pr)68.95
- A8117 60L-62 STRAP SET - w/hardware kit rebound, rear axle (pr)68.95
- A8134 53-62 STRAP - rear rebound (GM replacement) (ea) .29.95
- A1001 53-62 STUD/LUG - on brake drum, wheel mounting (1-5/8' OL)3.65
- A1007 60-62 STUD/LUG - on brake drum, wheel mounting (1-7/8' OL)2.65



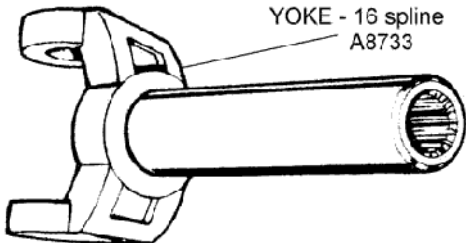
Rear Suspension: Drive Shaft

- A7289 53-62 'U' BOLT - drive shaft to transmission & rear end yoke (2 req), (ea)6.40
- A8153 56-62 'U' JOINT - drive shaft16.50
- A8176 56-62 DRIVE SHAFT - 'U' joints, 2.5' diameter, w/u joints installed / original209.95
- A8175 53-55 DRIVE SHAFT - 'U' joints, 6 cylinder209.95
- A8177 56-62 DRIVE SHAFT - 2' diameter w/ 'U' joints & 16 spline split yoke280.00
- A8178 56-62 DRIVE SHAFT - w/slip yoke & 'U' joints, Muncie trans, (ea)269.95
- A8135 56-62 STENCIL - drive shaft18.30

BORG WARNER TRANSMISSION

YOKE - 16 spline

A8733



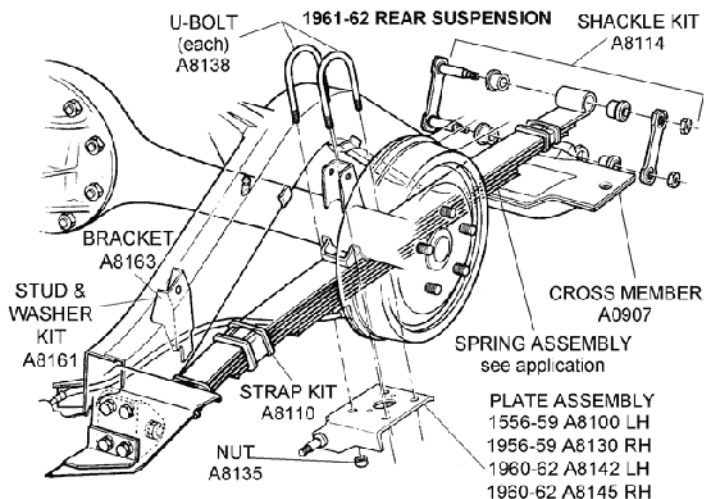
- A8733 56-62 YOKE - drive shaft, inserts into Borg Warner trans., 16 spline135.50
- A8143 56-62 YOKE - drive shaft, inserts into rear of Muncie transmissions that have been retro-fitted into early cars190.00
- A8190 57-59 YOKE - rear end pinion, reconditioned44.95
- A8191 60-62 YOKE - rear end pinion, reconditioned39.95

Rear Suspension: Frame Related

- A3855 56-62 BOLT SET - rear axle bumper mount, 'LG' head mark (4 pc)4.65

NOTE: A3855 is used for brake line clips or block to frame.

- A8154 53-58 BUMPER SET - over axle (pr)42.00
- A8156 57-58 BUMPER SET - front (over axle) (pr)42.00
- A8158 59-62 BUMPER SET - rear axle, 1962 w/o HD suspension (pr)42.00



- A0907 53-62 CROSSMEMBER - rear of frame (53-55 replacement only)279.00
- A0902 56-62 RIVET SET - rear cross member to frame6.15

ORDER BY PHONE:

1-800-872-2446



ORDER BY FAX:

708-458-2662

TECHNICAL QUESTIONS:

708-458-2500



CUSTOMER SERVICE:

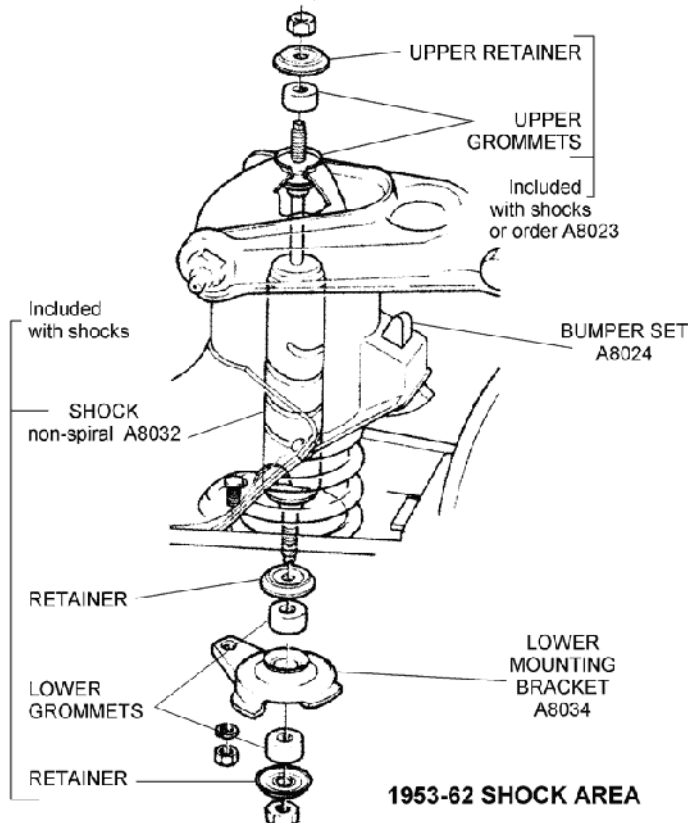
708-458-6577

QUESTIONS ABOUT YOUR ORDER:

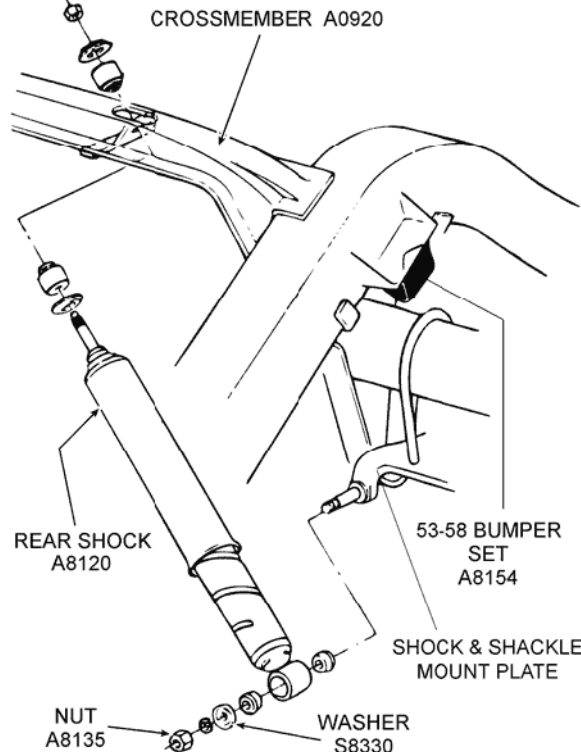
708-458-2500



Rear Suspension: Shock Absorber System



- A8122 56-58 COVER SET/PAPER - upper shock mount (pr)3.00
- A8174 53-62 MOUNT KIT - rear shock (does 1 shock)5.80
- A8172 53-62 NUT & LOCK WASHER KIT - rear spring eyelet pin (pr)3.90
- A8140 53-62 NUT - rear shock lower (ea)3.45



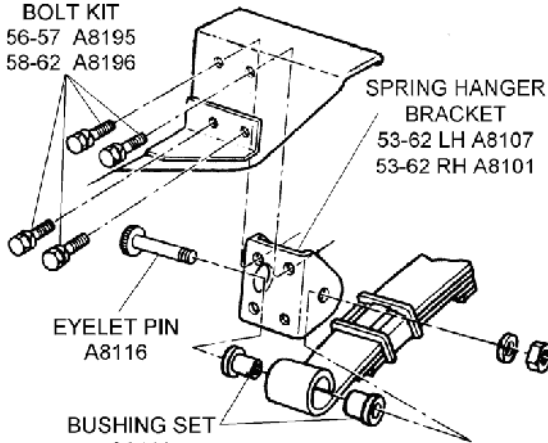
- A8100 56-59 PLATE - spring/lower shock, LH52.00
- A8130 56-59 PLATE - spring/lower shock, RH52.00
- A8142 60-62 PLATE - spring/lower shock w/stud, LH57.65
- A8145 60-62 PLATE - spring/lower shock w/stud, RH57.65
- A8182 53-58 SHIELD SET - rear shock, gravel guard (pr) ...8.40
- A8120 53-62 SHOCK - rear, standard, replacement, (each) . 29.95
- A8173 56-62 STUD - rear shock, for reconditioning of shock plate50.70
- S8330 53-62 WASHER - shock, rear, lower, cupped2.35

Rear Suspension: Springs

S7929 53-62 BOLT & NUT - rear spring center5.50

BOLT KIT

56-57 A8195
58-62 A8196



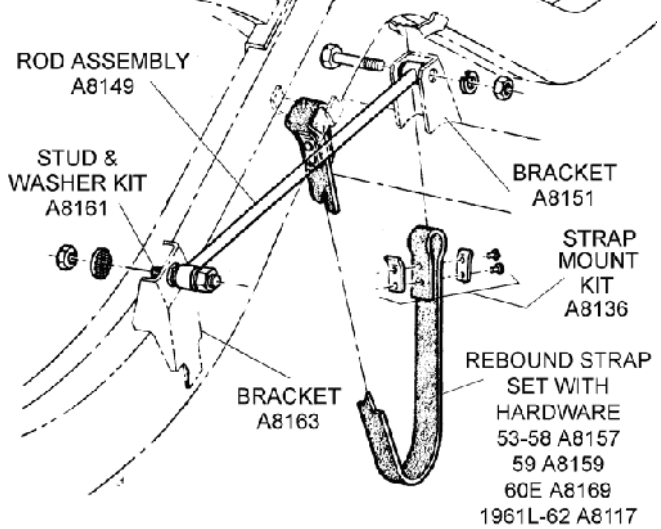
BUSHING SET
A8112

A8195 56-57 BOLT KIT - rear spring frame hanger, bracket 'TR' head mark27.45
 A8196 58-62 BOLT KIT - rear spring frame hanger, bracket 'O' head mark14.60
 A8107 53-62 BRACKET/SADDLE - rear spring, front hanger, LH54.00
 A8101 53-62 BRACKET/SADDLE - rear spring, front hanger, RH54.00
 A8137 56-62 BUSHING - rear spring front eyelet (2 req) (ea)6.20
 A8133 56-62 BUSHING - rear spring shackle2.00
 A8112 53-62 BUSHING SET - rear spring (12 pc)28.70
 A8171 53-62 BUSHING SET - rear spring, w/sleeves, polyurethane (14 pc)42.95
 A8198 53-62 LINER SET - heavy duty rear spring, woven material w/metal tips Correct (5 leaf)84.95
 A8108 53-62 LINER SET - standard rear spring, woven material w/metal tips) Correct (4 leaf)80.00
 A8206 53-62 NUT SET - Marsden, rear spring shackle (pr) . .2.80
 A8186 53-62 NUT SET - rear spring eyelet pins (pr)3.35
 A8116 53-62 BOLT/PIN - rear spring front mounting w/nut, eyelet type24.25
 A8193 56-62 REBUILD KIT - rear spring, correct liners, bands, rubber & bolts139.95
 A8114 53-62 SHACKLE KIT - rear spring (2 req), (ea)29.95
 A8106 53-62 SPRING - rear, 5 leaf, replacement, (ea) . .139.00
 A8104 53-62 SPRING - rear, standard 4 leaf, replacement, (ea)120.85
 A8199 53-62 SPRING SET - rear, original w/grooved leaves, restored (pr)1,095.00
 A8110 53-62 STRAP KIT - rear spring25.00

A8160 60-62 BRACKET - sway bar, corner, 'U' type13.75
 A8036 60-62 BUSHING - rear stabilizer bar (4 req.)17.50
 A8162 60-62 RETAINER/SPACER - sway bar inner6.25
 A8164 60-62 SPACER/SHIM - sway bar outer5.00
 A8168 60-62 STABILIZER BAR KIT - (includes A8146, A8148 (4), A8160 (2), A8162 (2), A8164 (2), A8166, S8119 (2)209.95
 A8146 60-62 STABILIZER LINK KIT - rear (pr)21.70

Rear Suspension: Strut Rod

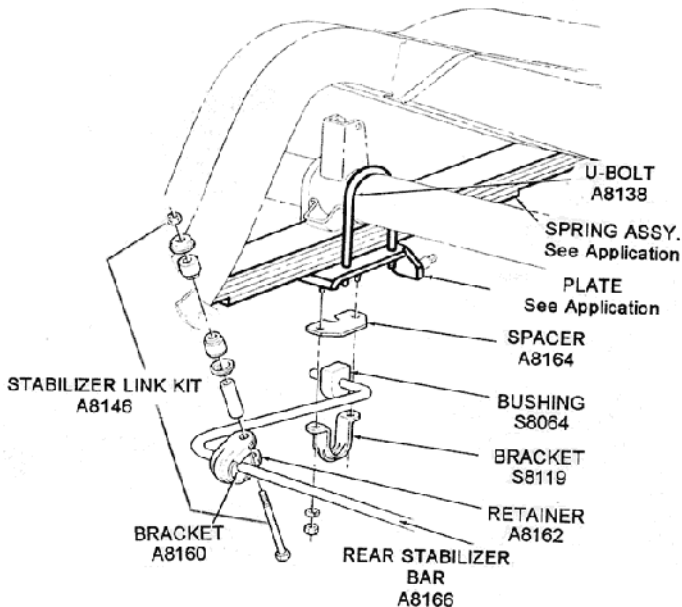
1961-62 REAR AXLE REBOUND STRAP and STRUT ROD



A8151 59-62 BRACKET SET - rear strut rod mount, welds to rear end housing (pr)124.00
 A8163 59-62 BRACKET SET -strut rod mount, welds to frame (pr)119.95
 A8144 59-62 BUSHING - rear strut (radius) rod22.25
 A8128 59-62 HARDWARE KIT - rear strut rod mounting7.60
 A8149 59-62 STRUT ROD - rear, w/bushings (2 req) (ea) . .62.05
 A8147 59-62 STRUT ROD SET - original, reconditioned w/new bushings (pr)295.00
 A8161 59-62 STUD & WASHER KIT - rear strut rod to frame . 29.20

Rear Suspension: Stabilizer Bar - 1960-62

1960-62 REAR STABILIZER



A8166 60-62 BAR - rear stabilizer128.35
 A8194 60-62 BRACKET - inner sway bar, welds to frame . .11.00
 S8119 60-62 BRACKET - sway bar, 'U' type10.00

SWITCHES & RELATED COMPONENTS- REPLACEMENT & NOS

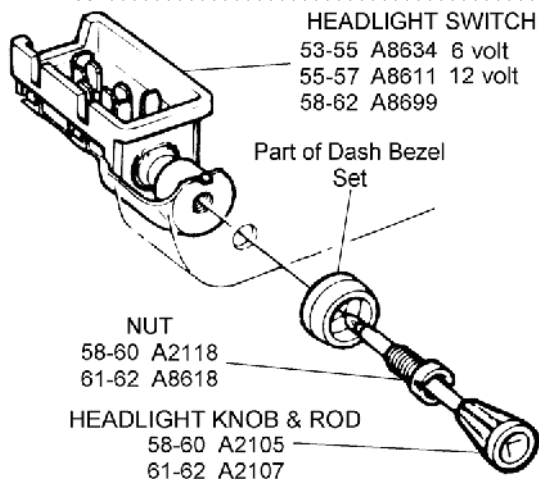
Switches - Delco / GM - NOS / NEW & Restored

A0459 56-62 BRACKET - capacitor #1911095 on generator, restored10.00
 A0461 56-62 BRACKET - capacitor on coil, restored6.00
 A0458 56-62 BRACKET - capacitor on voltage regulator, restored5.00
 A7184 56-57 CAPACITOR - coil, GM #1929070, restored original w/Delco logo & part numberCALL
 A7129 58-62 CAPACITOR - coil, GM #1947452, restored original w/Delco logo & part number39.95
 A7178 56-62 CAPACITOR - generator, GM #1911095, restored original w/Delco logo & part number . CALL
 A7179 56-62 CAPACITOR - voltage regulator, GM #1917580, restored w/Delco logo & part numberCALL
 A7185 58-62 CAPACITOR - dash, rear of oil/battery gauge cluster GM #7270568/USED ORIGINAL135.00
 A7186 56-57 CAPACITOR & BRACKET SET/RADIO - original capacitors restored w/brackets stamped w/GM #'s 1911095, 1917580 & 1929070CALL
 A7187 58-62 CAPACITOR & BRACKET SET/RADIO - original capacitors restored w/brackets stamped w/GM #'s 1911095, 1917580 & 1947452CALL
 A8651 53-55 FLASHER - parking brake alarm, 6 volt, NOS . .CALL
 A8650 55-60 FLASHER - parking brake alarm, 12 volt, NOS / NEWCALL
 A8676 53-54 FLASHER - turn signal, Tung Sol #535, 6 volt, etched lettering, 3 prong, long bronze can, NOS/NEW19.95
 A8696 53-54 FLASHER - turn signal / 6 volt (replacement)7.50
 A8670 55-60 FLASHER - turn signal, 2 bulb, Signal Stat #ZN232, NOS/NEW, original49.95
 A8691 55-57 FLASHER - turn signal, ink stamped Tung Sol AP273, dated, NOS (dates available: 3-56, 4-56) supplies limited! NOS/NEW34.95

A8672 57L-60	FLASHER - turn signal, round Tung Sol #AP273, embossed, NOS/NEW	19.95
A8675 61-62	FLASHER - turn signal, 3 bulb, Signal Stat #ZN332, NOS/NEW original	CALL
A1014 58-62	NUT SET - brake light switch, (pr)	2.50
A8629 53-54	RELAY - horn, Delco #1116775, NOS / NEW	79.95
A8600 53-54	RELAY - horn, Delco #1116775, restored	69.95
A8627 55-57	RELAY - horn, Delco #1116913, NOS / NEW	85.00
A8601 55-57	RELAY - horn, Delco #1116913, restored	59.95
A8633 58-62	RELAY - horn, Delco #1116781, NOS / NEW	CALL
A8609 58-62	RELAY - horn, Delco #1116781, restored	79.95

NOTE: A8600, A8601 and A8609 are cleaned, painted, re-plated and fully tested.

A7851 53-54	SOLENOID - starter, GM #1114310, NOS	CALL
A7850 55	SOLENOID - starter, GM #1119767, NOS	79.95
A7803 57-60	SOLENOID - starter, GM #1119919, original restored with correct Bakelite cap w/Delco logo	89.95
A7805 61-62	SOLENOID - starter, GM #1119910, original restored with correct Bakelite cap w/Delco logo	89.95
A8656 53-54	SWITCH - headlight dimmer, Delco #1997008, NOS	29.95
A8657 55-57	SWITCH - headlight dimmer, Delco #1997021, NOS	29.95
A8658 58-60	SWITCH - headlight dimmer, Delco #1997023, NOS	34.95



HEADLIGHT SWITCH AREA

A8634 53-55	SWITCH - headlight, Delco 6 volt GM# 1995041, NOS/NEW	99.50
A8612 55-57	SWITCH - headlight, Delco #1995082, 12 volt, NOS	99.95
A8698 58-62	SWITCH - headlight, Delco #1995096, NOS	CALL
A8636 53	SWITCH - ignition, GM #1116551, NOS	49.95
A8637 54	SWITCH - ignition, GM #1116478, NOS	95.00
A8639 58-59	SWITCH - ignition, GM #1116547, NOS/NEW	89.95
A8620 62	SWITCH - neutral safety, power glide trans, NOS GM # 1993566	295.00
A8641 58-62	SWITCH - stop/brake light, w/metal housing, GM #1993509, NOS / NEW	39.95
A1319 53-57	SWITCH ASSEMBLY - parking brake alarm, w/clamp (used, orig.)	CALL
A1317 58-62	SWITCH ASSEMBLY - parking brake alarm, w/clamp (used, orig.)	CALL

ORDER BY PHONE:

1-800-872-2446



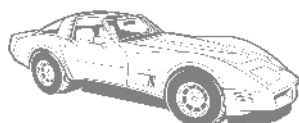
ORDER BY FAX:

708-458-2662



TECHNICAL QUESTIONS:

708-458-2500



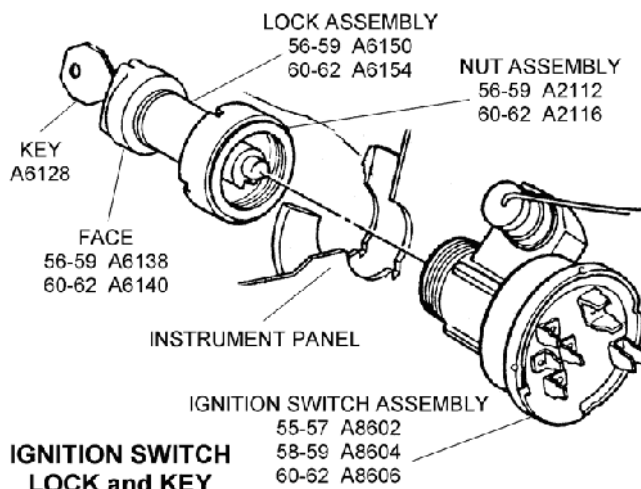
CUSTOMER SERVICE:

708-458-6577

QUESTIONS ABOUT YOUR ORDER:

708-458-2500

Switches, Current Production & Related Components



IGNITION SWITCH LOCK and KEY

A8750 53-60	BRACKET & MOUNT KIT - neutral safety switch	89.00
A8679 55-60	FLASHER - turn signal, 2 bulb (replacement)	7.95
A8681 61-62	FLASHER - turn signal, 3 bulb (replacement)	5.25
A9900 53-55	FUSE AND FLASHER KIT - generic, 6 volt, (8pc)	26.00
A9909 55-57	FUSE & FLASHER KIT - generic, 12 volt, (13 pc)	14.95
A9911 58-62	FUSE & FLASHER KIT - generic, (11 pc)	14.95
NOTE: Fuse and flasher kits contain enough fuses and flashers to replace all those in your Corvette, plus provide you with a spare of each variety. Includes a fuse removal tool.		
A2118 58-60	NUT - headlight switch	12.85
A2120 61-62	NUT - headlight switch	15.45
A2112 56-59	NUT/BEZEL - ignition switch, locking	12.85
A2116 60-62	NUT/BEZEL - ignition switch	14.60
A2122 56-60	NUT - wiper switch	12.00
A2123 61-62	NUT - wiper switch	9.95
A1014 58-62	NUT SET - brake light switch, (pr)	2.50
A8680 53-62	PLUG & TERMINAL - dimmer switch	4.00
A8603 53-54	RELAY - horn, 6 volt	17.95
A8624 55-62	RELAY - horn, 12 volt	19.95
A8736 54-60	ROD/LINK - neutral safety switch, power glide transmission	35.20
A8678 53-62	SCREW SET - dimmer switch (2 pc)	2.60
A2002 56-62	SENDING UNIT - temperature, in intake (repl)	8.00

NOTE: Temperature sending units may vary in calibration causing possible inconsistencies in gauge reading.

B8636 53-60	SHIELD - neutral safety switch	9.00
A8611 55-57	SWITCH - headlight	50.70
A8699 58-62	SWITCH - headlight	29.95
A8655 53-55	SWITCH - headlight dimmer, 6 volt	24.00
A8610 55-62	SWITCH - headlight dimmer	16.95
A8634 53-55	SWITCH - headlight, Delco 6 volt GM# 1995041, NOS/NEW	99.50
A8602 55-57	SWITCH - ignition	67.95
A8604 58-59	SWITCH - ignition	77.25
A8606 60-62	SWITCH - ignition	87.50
A8643 55-57	SWITCH - ignition, w/cylinder & keys	83.95
A8644 58-59	SWITCH - ignition, w/cylinder & keys	87.95
A8761 53-55	SWITCH - neutral safety, power glide transmission	81.95
A8767 56-57	SWITCH - neutral safety, power glide transmission	81.95
A8732 58-60	SWITCH - neutral safety, power glide transmission	81.95
A8615 53-57	SWITCH - stop/brake light, w/bracket, under dash	59.95
A8626 58-62	SWITCH - stop/brake light, under dash, replacement	9.25
A9719 53-62	RESTORATION SERVICE / WIPER SWITCH - windshield wiper, restored w/new cable (exchange - you must send in your cable to be redone)	69.95
A7951 56-62	SWITCH ASSEMBLY - turn signal canceling	76.75
A8628 55-62	SWITCH ASSEMBLY - turn signal, w/wire harness (12 volt)	26.25
A5832 53-62	SWITCH KIT - courtesy lights, w/gaskets & screws (pr)	44.75

VISIT US ON THE WEB AT
www.ChicagoCorvette.net

TOOLS

Battery

- A8313 53-62 PLIERS (CORBIN TYPE) - wire hose clamp removal42.45
- A8319 53-62 PULLER - battery cable end, standard3.95

Brakes

- A8332 53-62 HONE - wheel cylinder / 3 stone12.00

BRAKE SPRING PLIERS - A8310



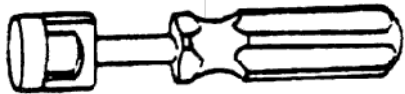
- A8310 53-62 PLIERS - brake spring installation/removal ...7.95



**UNIVERSAL BRAKE ADJUSTER
A8305**

- A8305 53-62 TOOL (SPOON) - brake adjusting9.35

**COMBINATION BRAKE SPRING COMPRESSOR
A8321**



- A8321 53-62 TOOL - brake shoe hold-down spring compressing, removal & installation9.75
- A8309 53-62 WRENCH - brake bleeder5.95

Carburetor

- A3955 61 STAND KIT - carburetor, elevates carburetor 2' to facilitate servicing it, throttle shafts easily open (4 pc)5.95

Clutch

- A8304 56-62 TOOL - clutch alignment/deluxe-all metal12.95

Cooling System

- A8313 53-62 PLIERS (CORBIN TYPE) - wire hose clamp removal42.45

Dash

- A2182 61-62 WRENCH - headlight & wiper switch nut removal11.95
- A2179 60-62 WRENCH - ignition switch nut7.95

Engine

- A8328 57-67 FEELER GAUGE - for setting valve lash or setting point gap2.95

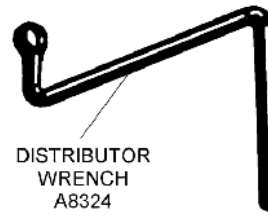
**HARMONIC BALANCER PULLER
A8308**



- A8308 53-62 PULLER - harmonic balancer, heavy duty18.95
- A8302 53-62 PULLER - spark plug boot & cable3.00
- A8317 53-62 REPAIR KIT - spark plug threads in head (14 mm)11.95
- A8329 53-62 SWITCH - remote control of your starter, w/leads8.95
- A2550 55-62 TOOL - distributor bushing installation9.25
- A2531 58-62 TOOL - distributor point adjusting (dwell), flexible, w/special hex head5.95

NOTE: A2531 is not designed for high collar, dual point distributor. Will work on all 1962 tach drive units.

- A2555 62 TOOL - tap guide insert, set screw, tach drive distributor5.95
- A2556 62 TOOL - threaded drill guide, tach drive distributor8.75



**DISTRIBUTOR
WRENCH
A8324**

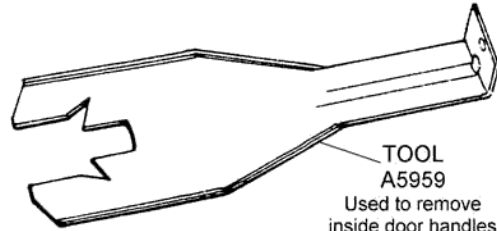
- A8324 53-62 WRENCH - distributor loosening/adjusting tool14.95

Exhaust

- A8307 53-62 CHISEL - muffler removal9.95

General

- A8300 53-62 BRUSH - parts cleaning3.25
- S8394 53-62 DIAL INDICATOR KIT - universal114.95
- A8326 53-62 MIRROR - telescopic, great for looking at casting dates & numbers in remote locations ..4.95



**TOOL
A5959
Used to remove
inside door handles**

- A5959 56-62 TOOL - window crank and door lock knob removal5.65
- A9788 53-62 TOOL - windshield wipers escutcheon, nut retainer8.55
- A2715 58-62 TOOL - winged speed nut installation, 1/8' & 3/16' size, used w/A2751 & other fasteners 10.95
- S8393 53-62 TOOL SET - brass punches, 8', 6' 4'34.95
- A4834 56-62 WRENCH - for hard top installation, supplied w/all hard top equipped cars, 1/2 x 9/16 exact reproduction28.00

Interior

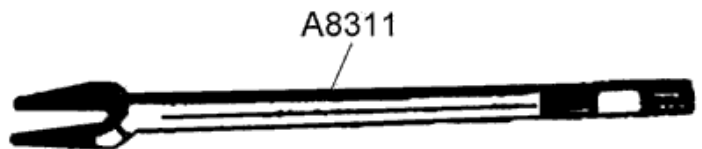
- A5719 53-62 PLIERS - hog ring, seat cover installation (economy model)6.95
- A5768 53-62 PLIERS - hog ring, seat cover installation (pro model)29.30
- A5767 53-62 PLIERS - hog ring, seat cover installation (spring loaded)22.00
- A5840 53-62 TOOL - firewall insulation fasteners/plug installation7.35
- A5959 56-62 TOOL - window crank and door lock knob removal5.65

Steering Wheel

- A8312 53-62 PULLER - steering wheel hub20.50

Suspension

**TIE ROD END & SHOCK LINK PULLER
A8311**

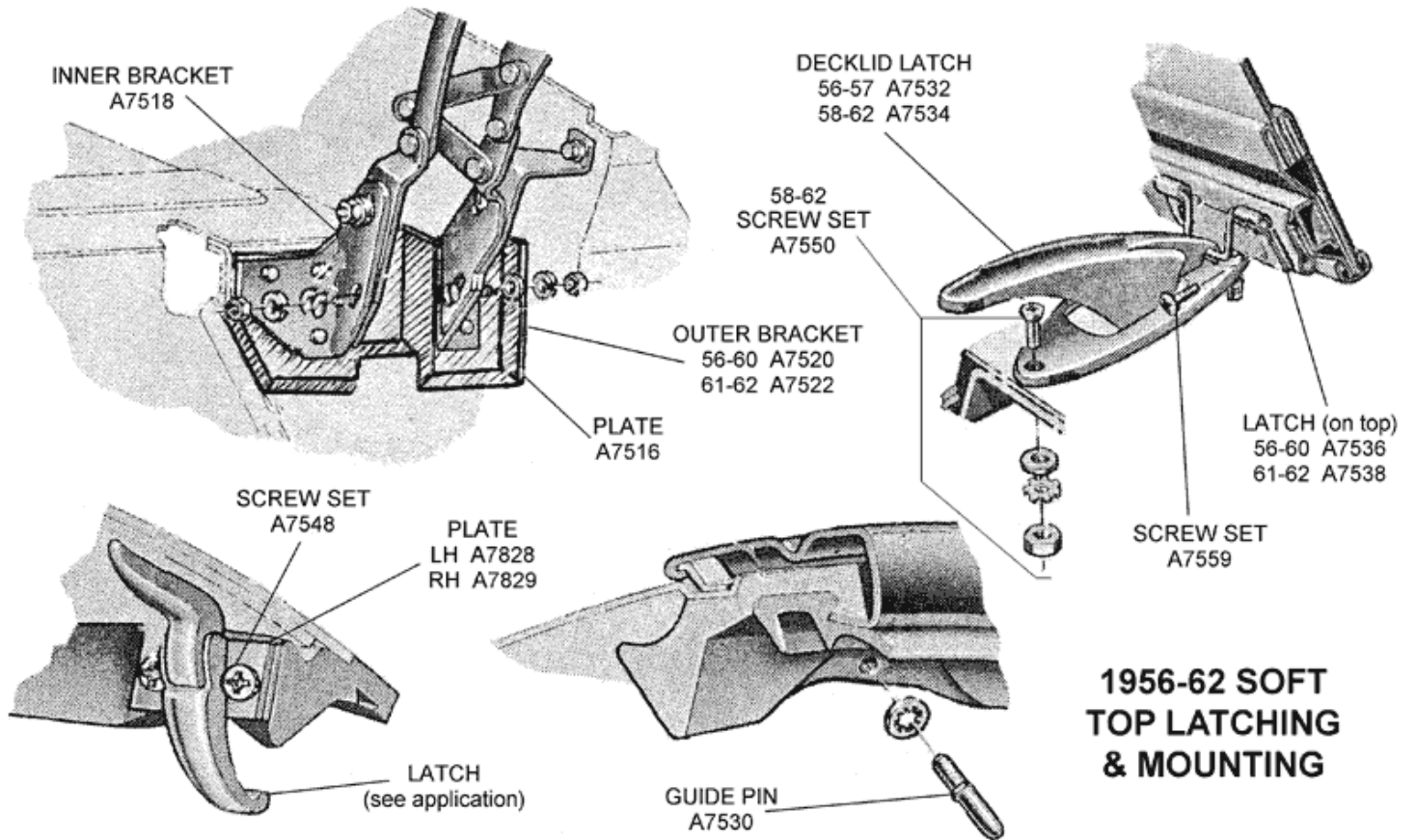


- A8311 53-62 FORK - tie rod removal15.50
- A8327 53-62 PLIERS SET - install & remove internal & external snap rings8.65

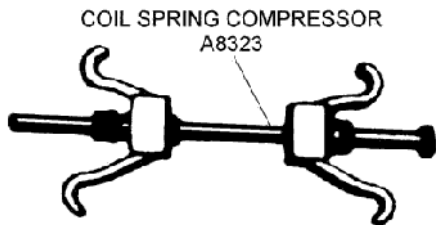
**PITMAN ARM
PULLER
A8322**



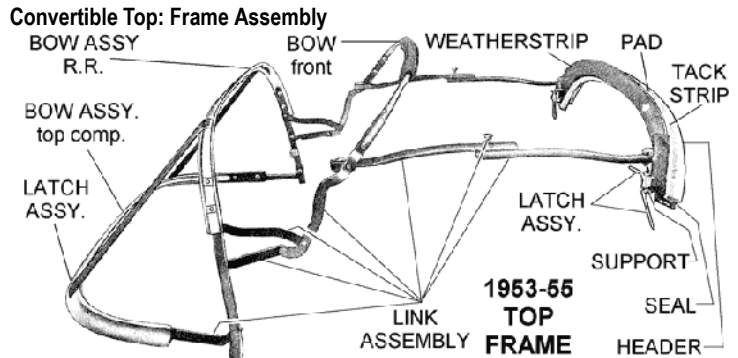
- A8322 53-62 PULLER - pitman arm39.50



1956-62 SOFT TOP LATCHING & MOUNTING



A8323 53-62 SPRING COMPRESSOR - front coil springs/to allow disassembly of front end69.95



TOP ASSEMBLIES & RELATED PARTS

Convertible Top: Cover Kit

A5609	53-55	CONVERTIBLE TOP KIT - CANVAS - w/DATED REAR WINDOW / SPECIFY BLACK OR TAN	849.95
A5642	53-55	CONVERTIBLE TOP KIT - CANVAS / SPECIFY BLACK OR TAN	799.00
A5599	55	CONVERTIBLE TOP KIT - Vinyl, (white)	315.00
A5611	56-59	CONVERTIBLE TOP - ORIGINAL TYPE - UNDATED REAR WINDOW	299.00
A5612	60	CONVERTIBLE TOP - ORIGINAL TYPE - UNDATED REAR WINDOW	319.00
A5613	61-62	CONVERTIBLE TOP - ORIGINAL TYPE - UNDATED REAR WINDOW	319.00
A5643	56-59	CONVERTIBLE TOP KIT - OEM type - UNDATED REAR WINDOW	509.00
A5645	60	CONVERTIBLE TOP KIT - OEM type - UNDATED REAR WINDOW	489.00
A5646	61-62	CONVERTIBLE TOP KIT - OEM type - UNDATED REAR WINDOW	489.00

NOTE: Convertible top kits A5642, A5643, A5644, and A5645 include OEM type top, pads, straps and finish strip with tips. Original type soft tops are 38-40 oz. material with electro sealed window if applicable.

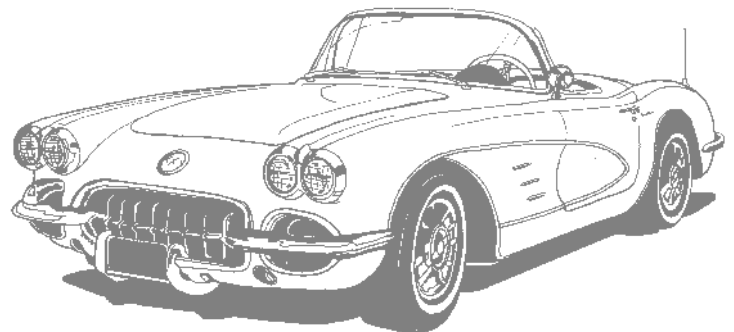
A2378	53-56E	TAG - warning, rear window, convertible top	.3.60
A2379	57L-62	TAG - warning, rear window, convertible top	.3.60
A7579	56-62	CONVERTIBLE TOP INSTALLATION DVD **NO RETURNS ON DVD**	79.95
A7580	56-62	CONVERTIBLE TOP INSTALLATION DVD **\$35 REFUND WILL BE MADE UPON RETURN OF THIS DVD**	69.95
A5600	56-62	WINDOW DATING - convertible top rear window, as original (specify date) (3-4 week delivery with top purchase)	100.00

A7577	53-54E	FRAME - soft top (straight style/ w/o canvas, weatherstrip, latches, etc.)	1,950.00
A7555	54L	FRAME - soft top (straight style/ w/o canvas, weatherstrip, latches, etc.)	1,950.00
A7529	56-60	FRAME - complete, soft top (w/o canvas, weatherstrip, latches, etc.)	2,295.00
A7562	56-60	FRAME ASSEMBLY - complete, soft top	2,995.00
A7531	61-62	FRAME - complete, soft top (w/o canvas, weatherstrip, latches, etc.)	2,295.00

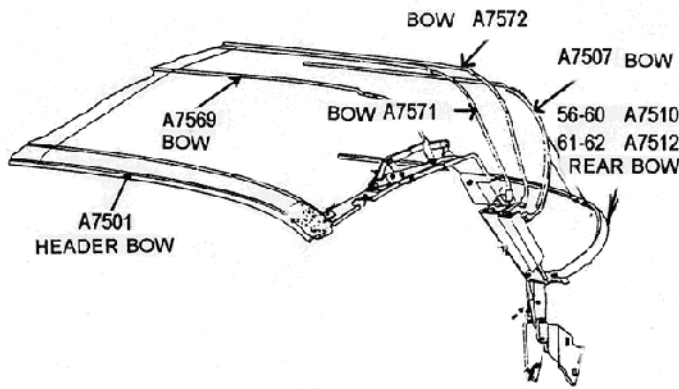
NOTE: Frame assemblies (A7562 and A7564) include everything needed: frame, soft top, bows, pads, straps, front and rear latches, weatherstrip kit with retainers, new OEM canvas, bolts, and screws. Specify color.

A7564	61-62	FRAME ASSEMBLY - complete, soft top	2,995.00
-------	-------	-------------------------------------	----------

NOTE: When mounting frame assemblies on a Corvette not originally equipped with a soft top, it will be necessary to install the six body mounts behind the seat and deck lid clamps. See Latch section for details. These body mount components behind the seats are not supplied with our soft top assemblies.



Convertible Top: Frame Parts



A7521 56-58	ARM - front, soft top, LH	166.75
A7523 56-62	ARM - front, soft top, RH	166.75
A7578 56-62	BOLT - rear bow, (ea)	16.00
A7501 56-62	BOW - front header, aluminum	607.95
A7569 56-62	BOW - round, first	179.00
A7571 56-62	BOW - round, second	179.00
A7572 56-62	BOW - round, third	179.00
A7507 56-62	BOW - round, fourth	259.00
A7510 56-60	BOW - soft top, rear, rests on deck lid	398.35
A7512 61-62	BOW - soft top, rear, rests on deck lid	334.95
A7561 56-59	BRACKET - header bow to side frame, LH	166.70
A7581 56-59	BRACKET - header bow to side frame, RH	166.70
A7565 60-62	BRACKET - header bow to side frame, LH	34.50
A7583 60-62	BRACKET - header bow to side frame, RH	34.50
A7574 56-62	CHANNEL - bow, fourth	325.00
A7588 56-58	HARDWARE KIT - soft assembly (w/all bolts, bushings and fasteners)	133.50
A7503 59-60	HARDWARE KIT - soft top assembly (w/all bolts, bushings, and fasteners)	129.95
A7505 61-62	HARDWARE KIT - soft top assembly (w/all bolts, bushings, and fasteners)	129.95
A7547 56-62	NUT - soft top frame, acorn style	2.40
A7563 56-62	PIVOT - body, inner	80.00
A7567 56-62	PIVOT - body, outer	150.00
A7514 56-62	SCREW - body pivot, side rail, (ea)	4.35
A7582 56-62	SCREW SET - body pivot, rail top kit, (8 pc)	29.85
A7558 56-62	SCREW SET - rear soft top latches on top (8pc)	3.75
A7590 56-62	SCREW SET - side rail to front header, Phillips head, stainless steel, (4 pc)	4.35

Convertible Top: Latches

Got 1 or 2 bumps by the header bow on your soft top? A typical cause is the wrong soft top latches. Original latches had short handles, while current GM replacements have long handles that push up into the top.

A7502 53-55	LATCH SET - front, on top (pr)	385.00
A7500 56-62	LATCH - front, soft top w/short (correct) handle, LH	121.50
A5713 56-62	LATCH - front, soft top w/short (correct) handle, RH	121.50
A7536 56-60	LATCH SET - on rear bow, w/adjust plates (pr)	94.00
A7538 61-62	LATCH SET - on rear bow, w/adjust plates (pr)	84.50
A7506 53-55	LATCH SET - rear, on deck lid (pr)	194.75
A7504 53-55	LATCH SET - rear, on top (pr)	385.00
A7532 56-57	LATCH/LOCK - rear soft top, on deck lid, w/studs, (2 req, ea)	149.65
A7534 58-62	LATCH/LOCK - rear soft top, on deck lid, w/o studs (2 req, ea)	124.95
A7530 56-62	PIN - front hard top guide	6.85
A7528 56-62	PLATE - latch adjuster, front, under latch, soft top (pr)	41.55
A7550 58-62	SCREW & NUT KIT - soft top rear latches on deck lid (16 pc)	6.55
A7559 56-62	SCREW SET - rear soft top latches on top (8 pc)	4.95
A7548 56-62	SCREW SET - soft top/hard top front latches (4 pc)	3.50
A7508 53-55	STRIKER PLATE SET - on deck lid (pr)	54.50

Convertible Top: Miscellaneous Parts

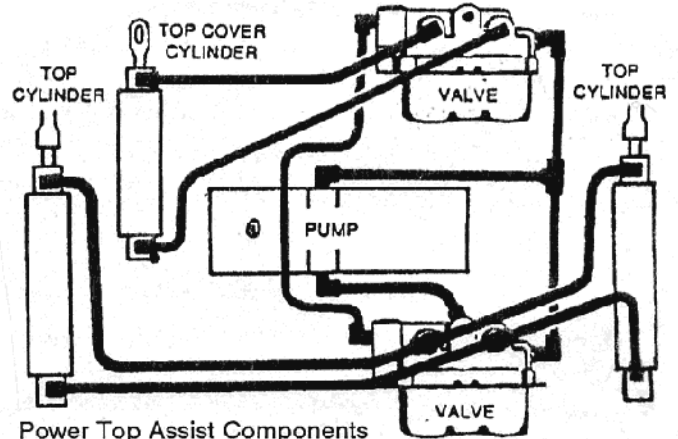
A5694 56-62	CAP KIT - rear window trim bead end, stainless steel, 2 caps/screws	9.95
A5651 61-62	CORD - rear bow weatherstrip hold-in	6.95
A5674 56-62	HARDWARE KIT - fold-up strap, rear bow	9.00
A5648 56-62	PAD SET - soft top (pr)	49.95

A5873 56-62	PROTECTOR - deck lid, keeps soft top from rubbing on deck lid	31.00
-------------	---	-------

NOTE: Deck Lid Protectors prevent your top from leaving scratches and unsightly marks on your Corvette's rear deck. These protectors are static cling film (no adhesives needed), die cut to your model year. They cover the area where your top comes in contact with your rear deck.

A7589 61-62	RETAINER KIT - soft top strap, w/screws (pr)	36.25
A5647 56-62	SCREW & WASHER SET - soft top pad installation	13.75
A7554 56-62	SNAP SET - convertible top, on body (2 pc)	3.15
A5649 56-62	STRAP SET - rear window hold-up (pr)	14.95
A5650 56-62	STRAP SET - snap, each side of rear window (pr)	16.65
A7584 56-60	TACK STRIP KIT - header bar, as original	37.85
A7586 61-62	TACK STRIP KIT - header bar, as original	47.60
A7585 56-60	TACK STRIP KIT - header bar, replacement	59.60
A7587 61-62	TACK STRIP KIT - header bar, replacement	84.70

Convertible Top: Power Assist Parts



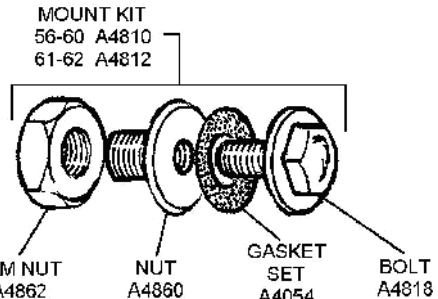
Power Top Assist Components

A7573 56-62	BRACKET - power top pump	198.35
A7539 56-62	CONVERSION KIT - power top	1,395.00
A7568 56-62	CYLINDER - power top raising	189.70
A9984 56-62	GROUND STRAP - power top	18.50
A7566 56-62	HOSE SET - power top (specify year)	439.95
A7525 56-57	KNOB & ROD - power top switch	41.00
A7570 56-62	PUMP - power top	298.45
A7537 56-62	YOKE - power top cylinder	34.95

Convertible Top: Top Mounting Brackets & Hardware (on body behind seats)

A7518 56-62	BRACKET - inner top mounting (pr)	129.95
A7520 56-60	BRACKET - outer top mounting (pr)	109.95
A7522 61-62	BRACKET - outer top mounting (pr)	109.95
A7553 56-62	FASTNER KIT - soft top frame to interim brackets, 32 pieces	6.95
A7557 56-62	FASTNER KIT - soft top brackets to bulkhead, 36pcs	12.50
A7516 56-62	PLATE - large support bracket (pr)	189.95

Hard Top: Latches & Hold-Downs



A4818 56-62	BOLT - hard top hold-down (stainless steel)	6.90
-------------	---	------



1961-62 SIDE MOUNT BRACKETS

A4814 61-62	BRACKET SET -side, on hard top, hold-down mounting (pr)	172.45
-------------	---	--------

**POWERGLIDE
KICKDOWN LINKAGE**
55-57 1X4 A8700
56-57 2X4 A8709

SPEEDOMETER CABLE
SEE CABLES

AUTOMATIC SHIFTER
56 #20813 A7332
57-61 #20814 A7334
62 #20815 A7336

SWITCH ROD
A8736

SHIFTER LEVER
A7303

**NEUTRAL SAFETY SWITCH
BRACKET & HARDWARE**
53-60 A8750

NEUTRAL SAFETY SWITCH
53-55 6V A8761
55-57 12V A8767
62 A8620

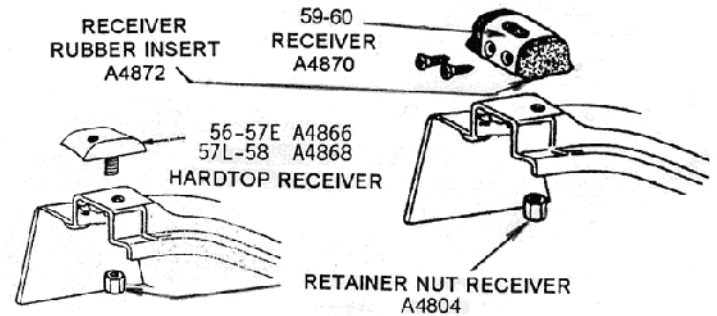
**1956-62
AUTO
TRANSMISSION**

SWITCH SHEILD B8636

A4054 56-62	GASKET SET - hard top anchor nut (pr)	2.10
G0078 56-62	HOIST - hard top, attaches to your garage or rafters, keeps your hardtop up and out of the way, includes hardware & instructions ...	39.95
Got 1 or 2 dimples in the headliner of your hard top? A typical cause is the wrong soft top latches. Original latches had short handles while current GM replacements have long handles that push up into the headliner.		
A4800 56-62	LATCH - front header, w/short (original) style handle, LH	119.00
A4805 56-62	LATCH - front header, w/short (original) style handle, RH	119.00
A4810 56-60	MOUNT KIT - hard top (3 each of A4860/A4818/A4054)	35.95
A4812 61-62	MOUNT KIT - hard top (4 each of A4860/A4818/A4054)	44.35
A4862 56-62	NUT - hard top anchor hold-down, jamb type (ea)	1.00
A4860 56-62	NUT - hard top hold down anchor on deck lid (stainless steel)	6.80
A7530 56-62	PIN - front hard top guide	6.85
A5875 56-62	PROTECTOR - deck lid, keeps hard top from rubbing on deck lid	28.95

A4891 56-60	MOLDING - hard top, interior, above door, LH or RH (stainless steel), used	345.00
A4892 61-62	MOLDING - hard top, interior, above door, LH or RH (stainless steel), used	345.00
A4893 56-62	MOLDING - hard top, interior, above rear window, LH or RH, used	200.00
A4801 57-62	RETAINER - front hard top moldings	68.45
A7556 56-62	SCREW SET - hard top headliner trim (8 pc) ...	3.10

Hard Top: Receiver Parts On Body Between Deck Lid & Door



**1956-62 HARD TOP
RECEIVED ON BODY BETWEEN
DOOR & DECK LID**

NOTE: Deck Lid Protectors prevent your top from leaving scratches and unsightly marks on your Corvette's rear deck. These protectors are static cling film (no adhesives needed), die cut to your model year. They cover the area where your top comes in contact with your rear deck.

A7548 56-62	SCREW SET - soft top/hard top front latches (4 pc)	3.50
A4834 56-62	WRENCH - for hard top installation, supplied w/all hard top equipped cars, 1/2 x 9/16 exact reproduction	28.00

Hard Top: Moldings - Exterior & Interior

A4832 56-62	MOLDING - 90 degree, outer rear upper corners (stainless steel)	11.20
A4820 57-62	MOLDING - front outer center (stainless steel)	17.25
A4826 56-62	MOLDING - hard top interior, above rear window, center (stainless steel)	9.25
A4828 56-58	MOLDING - hard top, 'Y', lower side, LH (stainless steel)	22.35
A4830 56-58	MOLDING - hard top, 'Y', lower side, RH (stainless steel)	22.35

A7591 56-62	HARDWARE KIT - hard top rebuild kit, includes all rivets & screws required when restoring your hard top	58.10
A4872 59-60	INSERT SET - hard top receivers on body, rubber (pr)	59.60
A4871 59-60	MOUNT KIT - hard top receiver (10 pc: bolts, screws, washers, nuts)	3.00
A4804 56-60	NUT SET - hard top receiver (2 pc)	4.05
A4866 56-57E	RECEIVER SET - hard top, on upper door jamb w/studs & nuts (pr)	52.95
A4868 57L-58	RECEIVER SET - hard top, on upper door jamb w/studs & nuts (pr)	52.75
A4870 59-60	RECEIVER SET - hard top, w/rubber & mounting kit (pr)	184.40

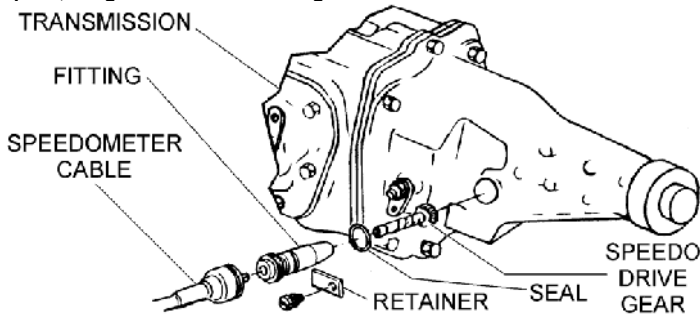
Hard Top: Windows

A4880 56-62	NUT SET - barrel style, rear window (24 req) (6pc)	27.50
A4887 56-62	RETAINER - rear window, 'U' shaped w/2 holes, stainless steel (56-60 req 1, 61-62 req 2), (ea)	5.45
A4886 56-60	WINDOW - rear, Plexiglas w/date code	319.95
A4884 61-62	WINDOW - rear, Plexiglas w/date code	319.95
A4873 56-60	WINDOW SET - side, hard top, dated, Plexiglas (pr)	83.35
A4875 61-62	WINDOW SET - side, hard top, dated, Plexiglas (pr)	83.35
A4874 56-60	WINDOW SET - side, hard top, Plexiglas undated (pr)	59.95
A4876 61-62	WINDOW SET - side, hard top, Plexiglas / undated (pr)	59.95

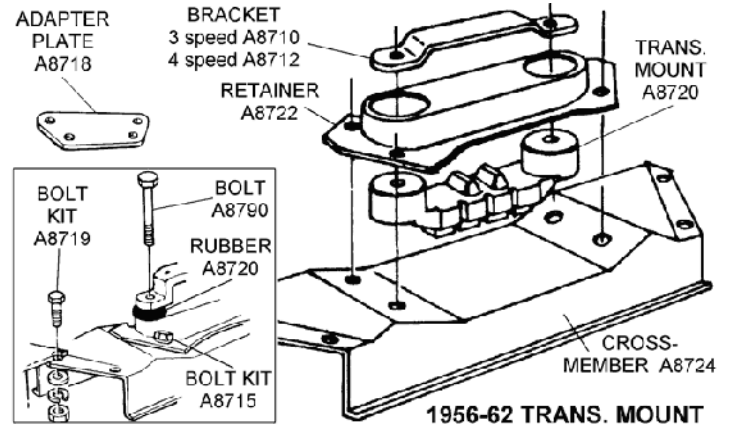
NOTE: Dated windows are drop shipped directly from our manufacturer, therefore the windows must be prepaid.

TRANSMISSION

3 Speed, Borg Warner T10 & Powerglide



A8740 57-62	BEARING - main or rear (T-10 transmission) ..	47.60
A8707 56-62	BOLT SET - flywheel to crankshaft, grade 8, (6 pc)	8.75
A8719 53-62	BOLT SET - transmission cross member to frame	8.20
A8715 56-62	BOLT SET - transmission cushion mount retainer to cross member	8.20
A8742 56-61	BOLT SET - transmission mount bracket to transmission, 'AP' head Mark, (2pc)	5.10
A8790 56-62	BOLT SET - transmission mount, 'TR' head mark (2 pc)	7.20
A8713 53-62	BOLT SET - transmission mount, 'UR' head mark (2 pc)	9.00
A8731 56-62	BOLT SET - transmission to bell housing, 'TR' head mark, w/nuts & washers (4 pc)	8.00
A8710 56-61	BRACKET - 3 speed transmission mount	17.00
A8712 56-62	BRACKET - 4 speed transmission mount	33.60
A8714 55-61	BRACKET - automatic transmission mount	97.95
A8734 55-61	BRACKET KIT - neutral safety switch, power glide transmission, w/bushings & bolts ..	72.40
A1814 56-62	BUSHING - transmission housing slip yoke, T10	18.50
A8702 56-62	CLIP - shifter/clutch rod, 'G' type (ea)	1.00
A8741 56-62	CLIP SET/HAIRPIN TYPE - neutral safety switch/power glide (4pc)	1.00
A8779 57-62	CONVERSION - Borg Warner T-10 to Super T-10 transmission internals, prevents breakage in high stress situations, add cost to A8773 to A8778	350.00
A8763 57-62	COUNTER SHAFT - Borg Warner T-10 transmission	17.95
A8591 61-62	COVER - shifter tunnel, fiberglass, PM	224.95
A8563 53-55	COVER - transmission tunnel, fiberglass, PM ..	175.00
A8590 56-60	COVER - transmission tunnel, fiberglass, PM ..	224.95



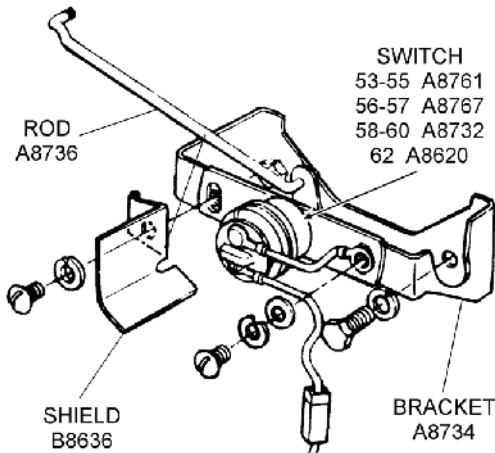
A8724 53-62	CROSSMEMBER - transmission mount	140.75
A1403 56-60	EXTENSION - speedometer drive gear, in transmission	7.00
A8711 62	FILTER & GASKET KIT - power glide transmission	7.95
A3714 55-62	FITTING - vacuum, for auto transmission, (on the carb)	12.50
A8749 53-55	FLYWHEEL - Powerglide transmission, used original	179.95
C8845 55-62	GASKET SET - 3 speed transmission	17.95
C8847 57-62	GASKET SET - Borg Warner T-10 transmission ..	32.95
A8791 56-62	GEAR - speedo drive (18 tooth, brown) 3:08 RATIO	9.95
A8792 61-62	GEAR - speedo drive (20 tooth, blue) 3:36 RATIO	8.95
A8793 61-62	GEAR - speedo drive (21 tooth, red) 3:55 RATIO	8.95
A8794 61-62	GEAR - speedo drive (22 tooth, green) 3:70 RATIO	8.95
A8795 61-62	GEAR - speedo drive (24 tooth, yellow) 4:11 RATIO	9.95
A8771 57-62	GEAR - Speedo in transmission (3:08-3:55) (reconditioned)	36.50
A8770 57-62	GEAR - Speedo in transmission (4:56-4:88) (reconditioned)	69.95
A8755 61-62	HOSE - modulator	2.00
A8700 55-57	LINKAGE KIT - 1x4, power glide kick-down ..	170.00
A8709 56-57	LINKAGE KIT - 2x4, power glide kick-down ..	249.95
A8720 53-62	MOUNT - transmission, rubber	42.95



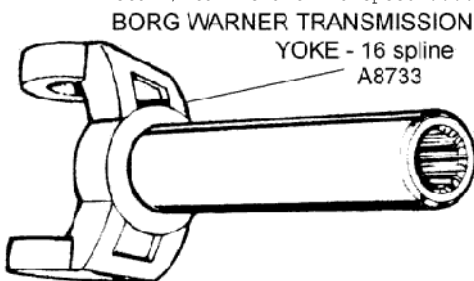
A8718 62	PLATE - transmission mount adapter, 3 & 4 speed	16.95
----------	---	-------

NOTE: A8718 Transmission Mount Plate doubles as the plate you need to install a Muncie transmission in your early car.

A8780 53-54	REBUILD KIT - Powerglide transmission	259.95
A8784 55	REBUILD KIT - power glide transmission	259.95
A8785 56	REBUILD KIT - power glide transmission	259.95
A8701 57	REBUILD KIT - Powerglide transmission	259.95
A8782 58-61	REBUILD KIT - Powerglide transmission	259.95
A8783 62	REBUILD KIT - Powerglide transmission, w/aluminum case	259.95
Powerglide Rebuild Kits include all gaskets, "O" rings, upper seals, clutches, friction seals, front and rear seals and sealing rings.		
A8725 57-62	REBUILD KIT - T10 transmission (new seals, bearings, counter shaft, syncros, gaskets, shims & small parts)	169.95
A8754 55-61	RELAY - power glide transmission	84.95
A8797 56-62	RETAINER - speedo gear fitting	3.80
A8722 53-62	RETAINER - transmission mount	26.00
A8736 54-60	ROD/LINK - neutral safety switch, power glide transmission	35.20
A1816 56-62	SEAL - transmission housing slip yoke, T10 ..	10.00
B8636 53-60	SHIELD - neutral safety switch	9.00
A8737 55-61	SHIFTING ARM - power glide	121.85
A8756 57-58E	SIDE COVER - Borg Warner T-10 transmission/aluminum-as original w/no webbing, A-356 alloy treated to T6 hardness	695.00
A8729 57-62	SMALL PARTS KIT - Borg Warner T-10 / needle bearings, shims, snap rings (included in part A8725)	32.95



A8761	53-55	SWITCH - neutral safety, power glide transmission	81.95
A8767	56-57	SWITCH - neutral safety, power glide transmission	81.95
A8762	57-62	SYNCHRONIZER RING KIT - Borg Warner T-10 trans. (4pc)	16.25
A8717	53-54	TAIL SHAFT HOUSING - automatic transmission - conversion / exchange	CALL
A8716	55-61	TAIL SHAFT HOUSING - automatic transmission / original, used	CALL
A8727	62	TAIL SHAFT HOUSING - automatic transmission, 3 hole shifter mount	CALL
A0852	57-62	TRANSMISSION - Borg Warner replacement, restored, service dated	1,695.00
A8773	57	TRANSMISSION - Borg Warner T-10, dated, completely restored & correct, specify close or wide ratio	CALL
A8774	58	TRANSMISSION - Borg Warner T-10, dated, completely restored & correct, specify close or wide ratio	CALL
A8775	59	TRANSMISSION - Borg Warner T-10, dated, completely restored & correct, specify close or wide ratio	CALL
A8776	60	TRANSMISSION - Borg Warner T-10, dated, completely restored & correct, specify close or wide ratio	CALL
A8777	61	TRANSMISSION - Borg Warner T-10, dated, completely restored & correct, specify close or wide ratio	CALL
A8778	62	TRANSMISSION - Borg Warner T-10, dated, completely restored & correct, specify close or wide ratio	CALL
A8760	62	TUBE - dip stick, power glide	40.00
A8706	53-54	VACUUM LINE - transmission modulator, steel	25.00
A8708	53-54	VACUUM LINE - transmission modulator, stainless steel	30.00
S7355	58-62	VENT - metal / tail shaft - 3 speed	26.00

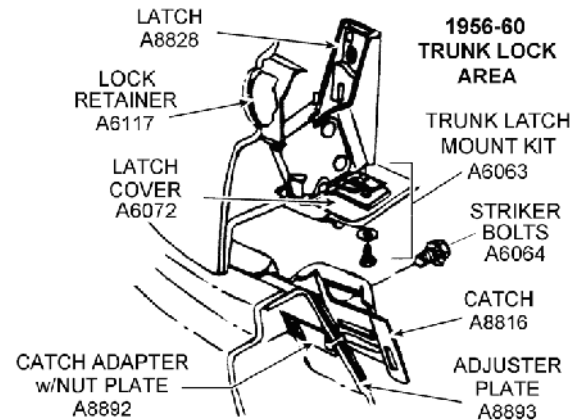


A8733	56-62	YOKE - drive shaft, inserts into Borg Warner trans., 16 spline	135.50
A8728	53-54	YOKE - Powerglide transmission	375.00

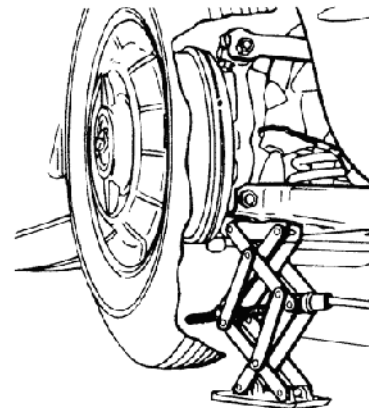
TRUNK, JACKS & RELATED

A8892	56-60	ADAPTER & NUT PLATE - lower trunk catch, on body	20.35
A8861	53-60	BOARD - spare tire carrier	49.95
A8865	61-62	BOARD - spare tire carrier	49.95
A8856	53-62	BOLT - spare tire hold-down	15.15
A8568	53-58	BOLT SET - trunk hinge to trunk lid, 'TR' head mark (6 pc)	15.30
A8885	53-62	BOLT SET - trunk hinge to trunk lid, replacement, (6 pc)	6.60
A8897	58-62	BOLT SET - trunk lid hinge to floor, '¢' head mark (8 pc)	9.00

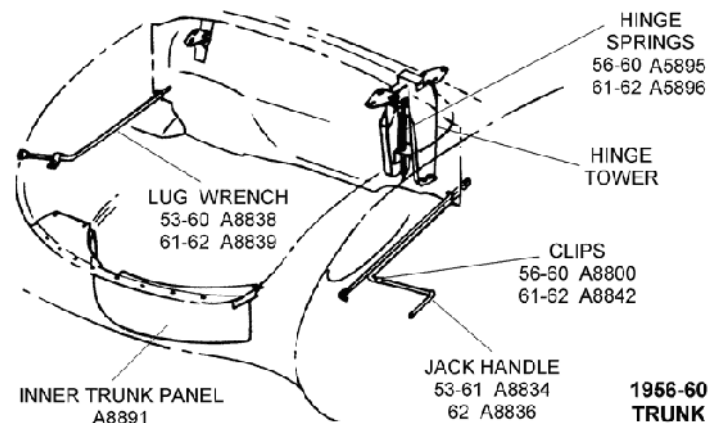
A5898	59-62	BOLT SET - trunk lid to hinge, 'C' head mark (6 pc)	6.85
A8876	61-62	BUMPER - trunk lid pop-up spring	4.15



A8816	56-60	CATCH - lower trunk, on body, reconditioned original	59.95
A8800	56-60	CLIP SET - jack handle & lug wrench (pr)	18.65
A8842	61-62	CLIP KIT W/FASTNERS - jack handle & lug wrench	13.25
A8814	56-62	CLIP SET - trunk liner, 'S' type, (4 pc)	5.20
A8815	56-62	CLIP SET - trunk liner, 'S' type, w/correct diamond stamped logo (4 pc)	12.10
A8858	53-62	CUP W/INSTALLATION SCREWS - spare tire board, w/correct diamond shaped logo stamp	14.00
A8862	53-62	CUSHION - spare tire bolt-on frame	10.05
A8854	53-62	CUSHION SET - spare tire board, foam, (3 pc)	8.55
A8587	58E	FILLER PANEL/COVER - bumper brace/wheel well, LH	32.00
A8588	58E	FILLER PANEL/COVER - bumper brace/wheel well, RH	32.00

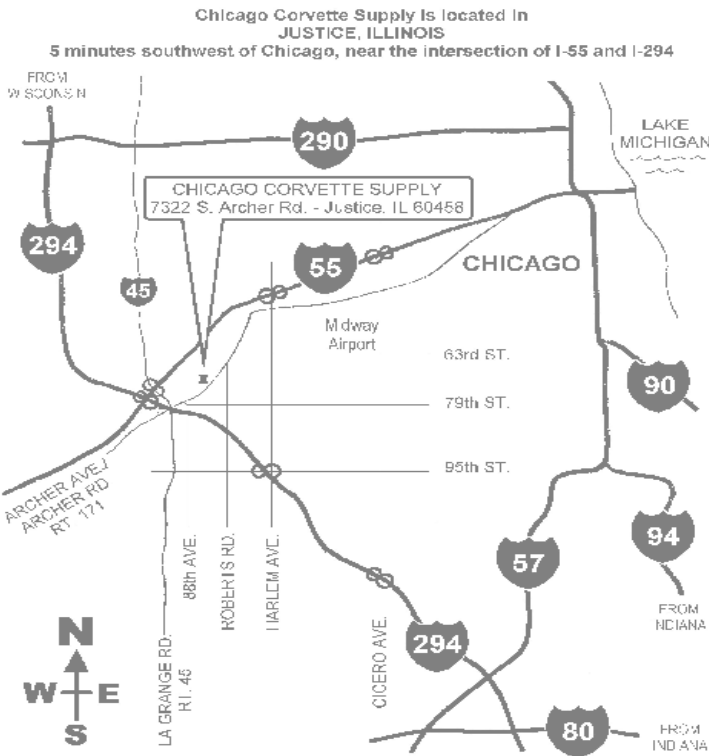


A8834	53-61	HANDLE - jack	39.95
A8836	62	HANDLE - jack	39.95
A8809	56-60	HINGE & SPRING TOWER - trunk & deck lid, (specify LH/RH) (used)	195.00
A8810	61-62	HINGE & SPRING TOWER - trunk & deck lid, (specify LH/RH used)	195.00
A8841	61-62	HOSE & GROMMET SET - trunk lid drain and grommet	4.65
A8830	53-61	JACK - exact reproduction	215.25
A8832	62	JACK - exact reproduction	229.95
A2314	53-60	LABEL - jacking instructions	4.95
A2316	61-62	LABEL - jacking instructions	3.95
A8883	61-62	LATCH MECHANISM - trunk lid, (pre-owned)	49.00
A8828	56-60	LOCK - latch mechanism, trunk lid	98.40



1956-60 TRUNK

- A8838 53-60 LUG WRENCH - exact reproduction40.95
- A8839 61-62 LUG WRENCH - exact reproduction40.95



- A8823 56-60 req), (ea)1.00
- SCREW SET - jack handle/lug wrench clip (10 pc)4.95
- A8819 61-62 SCREW SET - trunk access cover plate attaching, special shallow Phillips head (2 req. . per plate), (4 pc)4.50
- A8801 56-59 SCREW SET - trunk liner, clutch head (14 pc)8.85
- A8882 56-60 SCREW SET - trunk panel, rear inner (17 pc) . .6.40
- A8878 59 SCREW SET - trunk liner, Phillips head, replacement, (14 pc)4.40
- A8880 60-62 SCREW SET - trunk liner, Phillips head (7 pc)4.65
- A8851 60-62 SCREW SET - trunk liner, Phillips, w/wide head (7 pc)9.25
- A8829 56-62 SHIM - trunk lid hinge (ea)14.00
- A8872 61 SPRING - pop-up, w/bumper, trunk lid10.50
- A8874 62 SPRING - pop-up, w/bumper, trunk lid10.50
- A5895 56-60 SPRING SET - trunk & deck lid hinge, (4 pc) .32.50
- A5896 61-62 SPRING SET - trunk & deck lid hinge, (4 pc) .37.35
- A8574 56-60 TRUNK LID - specify year, fiberglass (PM) .534.00
- A8896 61-62 TRUNK LID - used original425.00
- A8890 58 TRUNK MOLDING (SPEARS) SET - chrome/thin wall as original, (pr)2,995.00

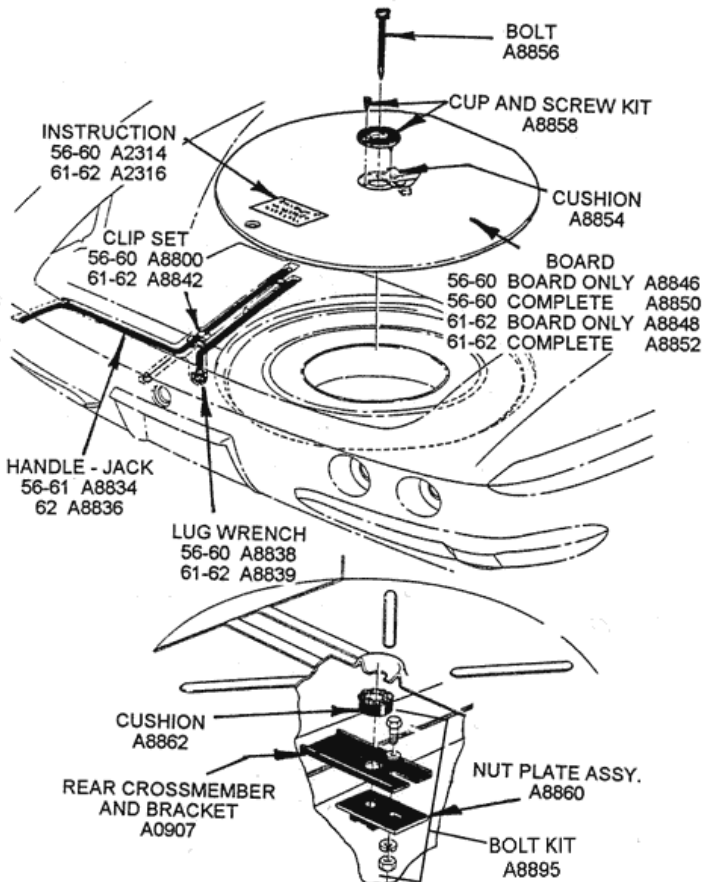
WEATHERSTRIP

Adhesives & Attaching

- G0001 56-62 ADHESIVE - weatherstrip, 3M Super, black (5 oz)8.45
- G0009 56-62 ADHESIVE - weatherstrip, 3M Super, yellow (5 oz)7.45

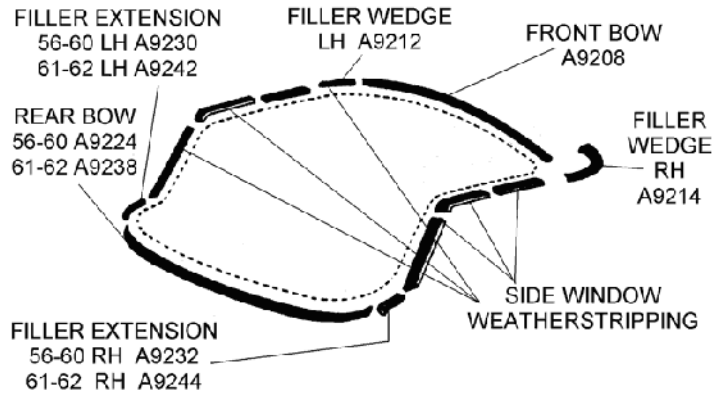
NOTE: Yellow adhesive was originally used.

Body Weatherstrip Kits



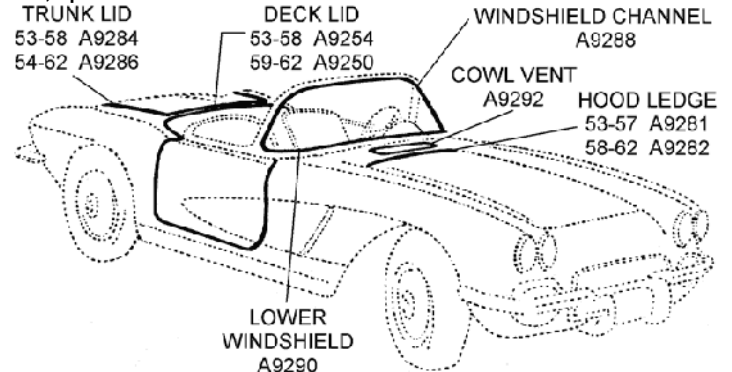
- A8860 53-62 NUT PLATE - spare tire bolt/on frame8.50
- A8844 61-62 PAD SET - jack handle5.95
- A8891 56-60 PANEL - fiberglass, rear inner (incl. lower trunk lock catch rein)157.00
- A8893 56-60 PLATE - lower trunk catch adjuster15.00
- A8870 61-62 PLATE KIT - access, trunk floor (w/screws) (pr)18.50
- A8881 58 RETAINER/NUT SET-trunk molding/flat speednuts-does one molding (6pc)10.85
- A6136 56-60 ROD - lock, trunk8.95
- A6137 61-62 ROD - lock, trunk6.50
- A8952 56-60 SCREW & WASHER - trunk lock to trunk lid (2

1956-62 BODY WEATHERSTRIP KITS					
A9200	56-57	WEATHERSTRIP KIT			
A9203	58	WEATHERSTRIP KIT			
A9205	59E	WEATHERSTRIP KIT			
A9207	59L-60	WEATHERSTRIP KIT			
A9221	61-62	WEATHERSTRIP KIT - with correct deck lid weatherstrip			
A9209	61-62	WEATHERSTRIP KIT - with replacement deck lid weatherstrip			
A9248	56-58	DECK LID			1 1
A9258	56-58	DOOR MAIN, LH			1 1
A9260	56-58	DOOR MAIN, RH			1 1
A9268	56-59E	DOOR AUX., LH			1 1 1
A9270	56-59E	DOOR AUX, RH			1 1 1
A9292	56-60	COWL VENT, ALL	1	1	1 1 1 1
A9281	56-57	HOOD LEDGE			1
A9284	56-58	TRUNK LID			1 1
A9250	59-62	DECK LID	1	1	1
A9251	61-62	DECK LID - w/correct ends	1		
A9264	59-60	DOOR MAIN, RH		1	1 1
A9282	56-57	HOOD LEDGE	1	1	1 1 1
A9286	59-62	TRUNK LID	1	1	1
A9262	59-60	DOOR MAIN, LH		1	1 1
A9272	59L-62	DOOR AUX, RH	1	1	1
A9273	59L-62	DOOR AUX, LH	1	1	1
A9265	61-62	DOOR MAIN, LH	1	1	
A9267	61-62	DOOR MAIN, RH	1	1	



- A9244 61-62 WEATHERSTRIP - filler extension, rear bow, RH27.10
- A9245 53-55 WEATHERSTRIP - front header bow / inner14.00
- A9243 53-55 WEATHERSTRIP - front header bow / outer23.35
- A9208 56-62 WEATHERSTRIP - front header20.00
- A9226 56-57 WEATHERSTRIP - rear bow, tan mohair42.95
- A9228 57-58 WEATHERSTRIP - rear bow, black mohair36.00
- A9224 56-60 WEATHERSTRIP - rear bow, rubber, (56-58 replacement)21.75
- A9238 61-62 WEATHERSTRIP - rear bow14.65
- A9218 56-62 WEATHERSTRIP - side rail, vertical, LH12.65
- A9237 56-62 WEATHERSTRIP - soft top (lh/frt) horizontal . 14.00
- A9239 56-62 WEATHERSTRIP - soft top (rh/frt) horizontal . 14.00
- A9235 56-62 WEATHERSTRIP - soft top (lh/rr) horizontal . 14.00
- A9236 56-62 WEATHERSTRIP - soft top (rh/rr) horizontal . 14.00
- A9240 53-55 WEATHERSTRIP - soft top front corners (2pc) . 33.60
- A9216 56-62 WEATHERSTRIP KIT - side rails (56-59E replacement) (6 pc)69.95
- A9202 56-57E WEATHERSTRIP KIT - soft top w/beigh mohair rear bow weatherstrip w/o Retainers, 12 pc . 159.00
- A9204 57L-58 WEATHERSTRIP KIT - soft top w/black mohair rear bow weatherstrip w/o retainers, 12 pc) 155.00
- A9206 59-60 WEATHERSTRIP KIT - soft top (w/o retainers) (12 pc)139.95
- A9234 61-62 WEATHERSTRIP KIT - soft top (w/o retainers) (12 pc)139.95
- A9223 56-62 WELL NUT - convertible top, side rail weatherstrip attaching1.25

Cowl, Splash Shield & Related



- A9292 53-62 WEATHERSTRIP - cowl vent10.50
- A9293 53-57 WEATHERSTRIP - splash shield (pr)18.00
- A9297 58-62 WEATHERSTRIP - splash shield (pr)21.75

Deck Lid - For Convertible Top

- A2626 56-62 BUMPER/STOP KIT - deck lid, w/screws (pr)6.75
- A9248 53-58 WEATHERSTRIP - deck lid (ea)16.00
- A9250 59-62 WEATHERSTRIP - deck lid (tubular)15.45



- A9251 61-62 WEATHERSTRIP - deck lid - tubular w/3 ribs & molded ends49.00

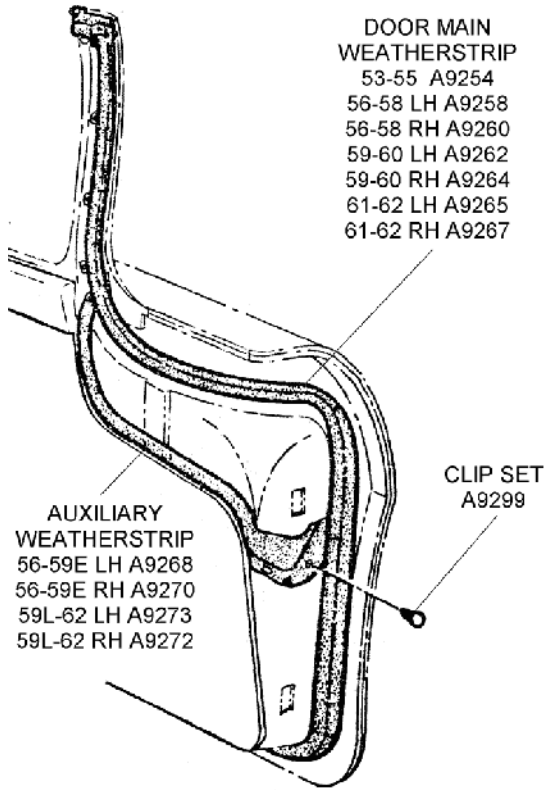
- A9200 56-57 WEATHERSTRIP KIT - body / see table for details149.00
- A9203 58 WEATHERSTRIP KIT - body / see table for details149.00
- A9205 59E WEATHERSTRIP KIT - body / see chart for details159.00
- A9207 59L-60 WEATHERSTRIP KIT - body / see chart for details159.00
- A9221 61-62 WEATHERSTRIP KIT - body / see chart for details - w/correct deck lid weatherstrip . .205.00
- A9209 61-62 WEATHERSTRIP KIT - body / see chart for details - w/replacement deck lid weatherstrip179.00

Convertible Top

- A5651 61-62 CORD - rear bow weatherstrip hold-in6.95
- A9212 56-62 FILLER WEDGE - front header end, LH8.00
- A9214 56-62 FILLER WEDGE - front header end, RH8.00
- A7595 59-62 RETAINER - header bow weatherstrip, 1 pc23.85
- A9220 56-62 RETAINER KIT - side rail (6 pc)24.15
- A9210 56-58 RETAINER SET W/SCREWS - header bow weatherstrip, stainless steel, (2 pc)30.45
- A7594 56-62 SCREW & 'T' NUT SET - header bow weatherstrip retainer (24 pc)11.00
- A9222 56-62 SCREW & NUT KIT - weatherstrip, soft top side rail retainer (34 pc)21.95
- A7560 56-62 SCREW SET - soft top front weatherstrip retainer (10 pc)3.70
- A9230 56-60 WEATHERSTRIP - filler extension, rear bow, LH27.10
- A9232 56-60 WEATHERSTRIP - filler extension, rear bow, RH27.10
- A9242 61-62 WEATHERSTRIP - filler extension, rear bow, LH27.10

VISIT US ON THE WEB AT
www.ChicagoCorvette.net

Door



- A9299 56-62 CLIP SET - weatherstrip retainer, push-in type (8 pc)5.25
- A9215 56-58E MOUNT KIT - door end cap, w/weatherstrip retainer27.60
- A2670 58L-60 MOUNT KIT - door end cap, w/weatherstrip retainer11.00
- A9274 61-62 MOUNT KIT - door end cap, w/weatherstrip retainer7.60
- A9211 56-58E RETAINER CLIP SET - door, weatherstrip end, w/screws (pr)7.55
- A6665 61-62 RETAINER SET - Door weatherstrip mount hole (40pc)12.10

NOTE: Weatherstrip clip sets include clips, wire retainers, and screws. Our clips were designed to add the correct look to the reproduction door weatherstrips. Yes, the original clips did have a "Fish Hook" barb, but that was to hook the clip to the reinforcement wire which was molded into the original door weatherstrips. The reproduction door weatherstrips with plastic push pins do not have this wire.

- A9263 59-60 RETAINER SET - door post weatherstrip, w/screws (22 pc)41.05
- A9261 61-62E RETAINER SET - door post weatherstrip, w/screws (18 pc)34.00
- A9266 62L RETAINER SET - door post weatherstrip (22 pc)39.95
- A6951 56-62 SCREW SET - door post weatherstrip retainer, (6 pc)2.75
- A9248 53-55 WEATHERSTRIP - door main (ea)16.00
- A9268 56-59E WEATHERSTRIP - door auxiliary, LH19.95
- A9270 56-59E WEATHERSTRIP - door auxiliary, RH15.80
- NOTE:** A9268 and A9270 were used in 1959 thru serial #6300 (approximately).
- A9273 59L-62 WEATHERSTRIP - door auxiliary, LH67.50
- A9272 59L-62 WEATHERSTRIP - door auxiliary, RH19.95
- A9262 59-60 WEATHERSTRIP - door main, LH45.90
- A9264 59-60 WEATHERSTRIP - door main, RH45.90
- A9265 61-62 WEATHERSTRIP - door main, LH55.95
- A9267 61-62 WEATHERSTRIP - door main, RH55.95
- A6664 56-58 WEATHERSTRIP SET - Door mains LH/RH pair67.50
- A9259 59-60 WEATHERSTRIP SET - Door mains LH/RH pair98.95
- A9258 61-62 WEATHERSTRIP SET - Door mains with plastic push pins LH/RH (pr)102.95
- A9256 53-55 WEATHERSTRIP - drip rail38.45

Hard Top Weatherstrip

- A9269 56-62 RETAINER & RIVET KIT - front bow weatherstrip/hardtop (18pc)36.60
- A9275 56-62 WEATHERSTRIP - front bow19.35
- A9276 56-62 WEATHERSTRIP - horizontal over side window, LH72.35
- A9283 56-62 WEATHERSTRIP - horizontal over side window, RH72.35

1956-62 HARD TOP



- A9279 56-60 WEATHERSTRIP - rear bow & rear window (61-62 replacement)199.00
- A9229 61-62 WEATHERSTRIP - rear window & rear bow324.95
- A9277 56-62 WEATHERSTRIP - side rail vertical, LH (56-59E replacement)33.80
- A9278 56-62 WEATHERSTRIP - side rail vertical, RH (56-59E replacement)33.80

Hood

- A5707 59-60 SEAL/AIR DAM - hood, front (after 1959 serial #3500)33.80
- A9281 53-57 WEATHERSTRIP - hood ledge10.95
- A9282 58-62 WEATHERSTRIP - hood ledge9.95

Trunk Lid

- A9284 53-58 WEATHERSTRIP - trunk lid23.00
- A9286 59-62 WEATHERSTRIP - trunk lid (tubular)19.95
- A9255 59-62 WEATHERSTRIP - trunk lid, tubular, w/3 longitudinal ribs26.50

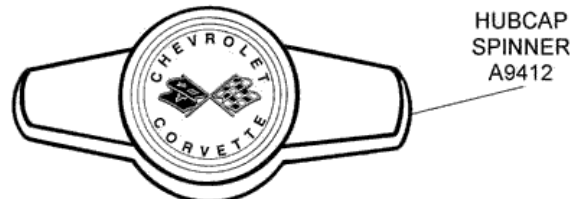
NOTE: Chicago Corvette Supply now offers the correct trunk and deck lid weatherstripping for 1959-62. It has the 3 longitudinal ribs as described in the NCRS judging manual.

Windshield

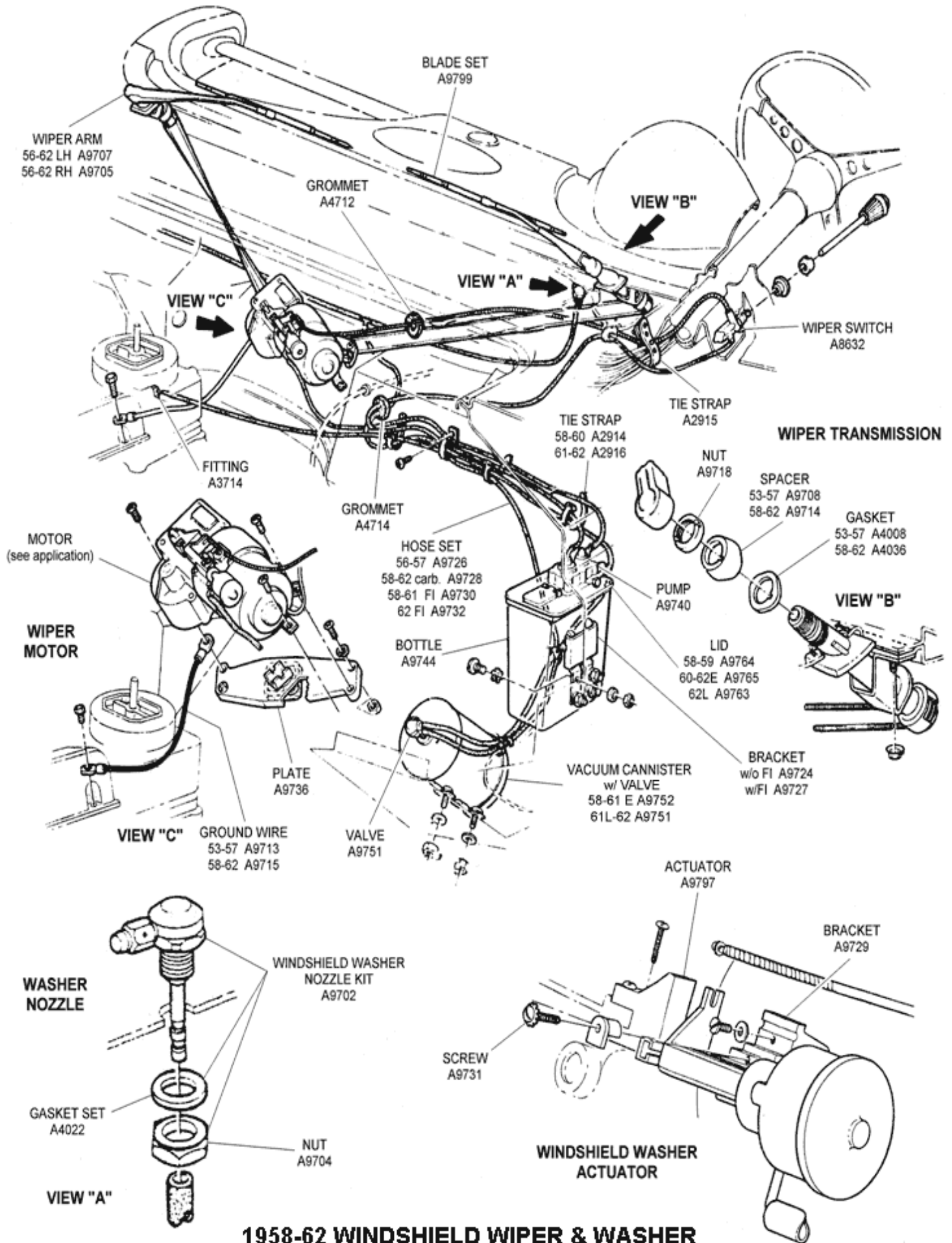
- A9217 56-62 FILLER STRIP - upper windshield to frame8.40
- A9298 53-55 SEAL SET - windshield end frame/rubber (2pc)5.65
- A9291 56-62 SEAL/SHIM SET - windshield end frames (6 pc)10.50
- A9287 53-55 WEATHERSTRIP - windshield channel38.75
- A9288 56-62 WEATHERSTRIP - windshield channel36.20
- A9290 53-62 WEATHERSTRIP - windshield frame to body14.25
- A9271 56-62 WEATHERSTRIP KIT - windshield (includes A9288, A9291, A9290 & A9217)57.95

WHEELS, TIRES & HUBCAPS

- A9460 56-62 CAP SET - valve stem, metal (5 pc)6.25
- G9801 53-62 DRESSING - tire, specially formulated to produce a smooth black even appearance on tires side walls, 23 oz. Spray6.50
- A9402 53-55 FLIPPER SET - hub cap (8 pc)94.45
- A9484 56-58 HUBCAP - w/o spinners, imported114.95
- A9485 59-62 HUBCAP - w/o spinners, imported114.95
- A9486 56-58 HUBCAP - w/o spinners, US made202.95
- A9487 59-62 HUBCAP - w/o spinners, US made202.95
- A9480 56-58 HUBCAP SET - w/o spinners (4 pc), imported539.00
- A9482 59-62 HUBCAP SET - w/o spinners (4 pc), imported539.00
- A9481 56-62 HUBCAP SET - w/o spinners (4 pc), US made674.95
- A9483 59-62 HUBCAP SET - w/o spinners (4 pc), US made675.95
- A9496 59-62 HUBCAP SET - w/spinners & hardware (imported)629.95
- A9427 56-58 HUBCAP SET - w/spinners (1st quality)799.95
- A9451 59-62 HUBCAP SET - w/spinners (1st quality)799.95
- A9495 56-58 HUBCAP SET - w/spinners (imported)629.95
- A9461 56-62 LUG NUT SET - does four wheels, (20 pc)14.45
- B9434 53-62 PAINT - aluminum cast, 12 oz. Aerosol6.50
- G5025 53-62 PAINT - black, gloss, 12 oz. aerosol6.50
- A9416 56-62 RETAINER & SCREW KIT - hubcap spinner (ea)6.25
- A9414 56-62 RETAINER & SCREW KIT - hubcap spinners, (set for 4)19.35
- A9471 53-62 SEAL SET - rim stone guard15.30

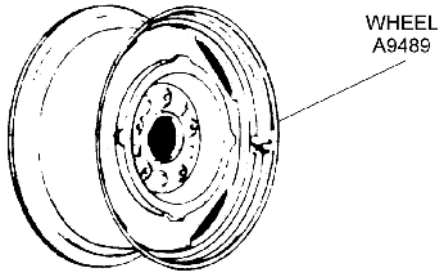


- A9412 56-62 SPINNER - hubcap40.95
- A9475 56-62 SPINNER KIT - 4 spinners w/retainers & screws155.70



1958-62 WINDSHIELD WIPER & WASHER

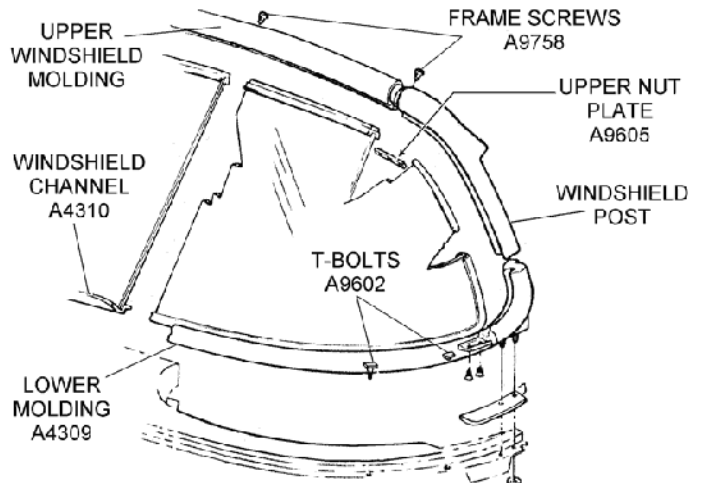
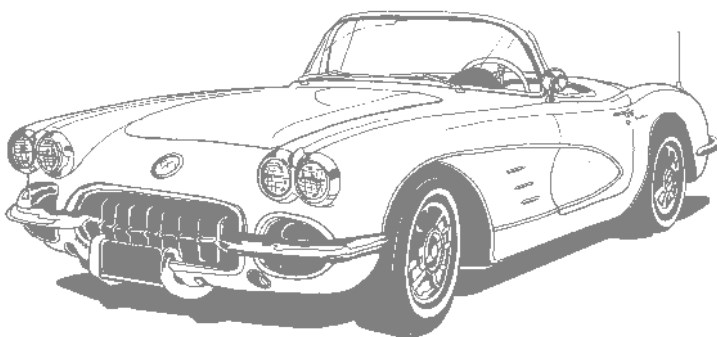
A9491 56-60	TIRE - 670x15 size, 2 11/16' white wall, Firestone (ea)	159.00
A9492 61	TIRE - 670x15 size, 2 1/4' white wall, Firestone (ea)	150.00
A9493 62	TIRE - 670x15 size, 1' white wall, Firestone (ea)	150.00
A9494 56-62	TIRE - 670x15 size, black wall, Firestone (ea)	165.00
A9463 53-55	TIRE - 670x15 size, 3 5/8' white wall, BF Goodrich (ea)	165.00
A9462 56-60	TIRE - 670x15 size, 2.5' white wall, BF Goodrich (ea)	155.10
A9424 62	TIRE - 670x15 size, 1' white wall, BF Goodrich (ea)	169.95
A9426 56-62	TIRE - 670x15 size, black wall, BF Goodrich (ea)	139.00
A9420 56-60	TIRE - 670x15 size, 2.5' white wall, Goodyear (ea)	169.95
A9241 61	TIRE - 670x15 size, 2.25' white wall, Goodyear (ea)	169.95
A9422 62	TIRE - 670x15 size, 1' white wall, Goodyear (ea)	169.95
A9464 56-60	TIRE - 670x15 size, 2 11/16' white wall, US Royal (ea)	169.50
A9465 56-61	TIRE - 670x15 size, 2.5' white wall, US Royal (ea)	165.00
A9466 62	TIRE - 670x15 size, 1' white wall, US Royal (ea)	165.00
A9467 56-62	TIRE - 670x15 size, black wall, US Royal (ea)	165.00



A9489 53-55	WHEEL - 15' x 5', riveted w/o hub cap dimples, bead blasted & powder coated, grade 'A'	125.00
A9452 56-62	WHEEL - 15' x 5', w/hub cap dimples, original welded design reconditioned grade 'A'	189.95
A9429 56-62	WHEEL - 15' x 5', w/hub cap dimples, original welded design, reconditioned, graded 'B' (a lesser grade than 'A')	119.95
A9488 56-62	WHEEL - 15'x5', w/hub cap dimples riveted design, reconditioned, grade 'A'	109.95
A9415 56-62	WHEEL - 15'x5', w/hub cap dimples riveted design, reconditioned, grade 'B'	89.95
A9404 56-62	WHEEL - 15' x 5', w/hub cap dimples riveted, non-GM repl.	112.00

WINDSHIELD FRAME & COMPONENTS

A9602 56-62	BOLT SET - windshield lower frame to body, 'T' shape, w/nut (8 pc)	29.00
A4314 56-62	MOLDING - lower windshield, stainless steel	395.00
A6666 56-58	MOLDING - upper windshield, all w/o sun visors, used	CALL
A9227 59-62	MOLDING - upper windshield, all w/sun visors, used	CALL



A9605 56-62	NUT PLATE - lower windshield frame, w/screws (pr)	23.05
A9606 56-62	NUT PLATE - upper windshield frame	23.55
A9600 56-62	REPAIR - windshield side, permanent installation of new tab (ea)	65.00
A9758 56-62	SCREW SET - windshield frame (12 pc)	7.95

WINDSHIELD WIPER SYSTEM

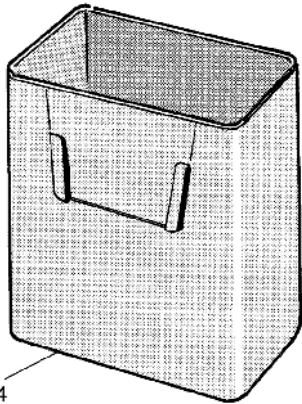
Windshield Wiper & Washer Parts

A9773 56-62	ARM & BLADE SET - windshield wipers w/correct rubber inserts / polished finish	169.95
-------------	--	--------



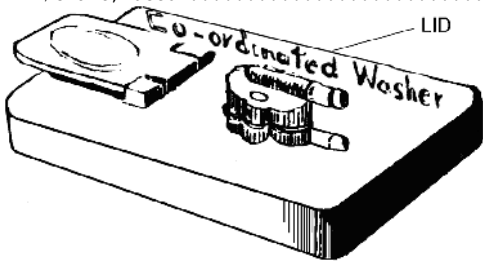
A9709 56-62	ARM SET - windshield wipers, correct shaped arm, polished finish, w/o Trico logo, almost identical to original, pr	94.95
A9722 56-62	BLADE - wiper (GM repl. Anco brushed finish)	20.05
A9799 56-62	BLADE SET - wiper, w/inserts, correct reproduction, (pr)	84.45
A9734 55-56	BOWDEN CABLE - foot operated washer pump to motor	218.95
A9739 57	BOWDEN CABLE - foot operated washer pump to motor	223.45
A9783 53-55	BRACKET - windshield washer jar	49.95
A9727 58-62	BRACKET - washer bottle w/F.I.	42.95
A9724 58-62	BRACKET - washer bottle w/o F.I.	40.00
A9755 56	CAP & VALVE - washer bag, Trico, NOS	97.95
A3714 58-62	FITTING - vacuum, for washer system, installs on carb. or FI	12.50
A4022 53-62	GASKET SET - windshield washer nozzles, pr	1.75
A4008 53-57	GASKET SET - wiper arm chrome spacers (pr)	2.95
A4036 58-62	GASKET SET - wiper arm chrome spacers (pr)	2.75
A4714 58-62	GROMMET - firewall/windshield washer hoses, 2 holes	7.00
A4717 53-55	GROMMET - washer hose, 3 hole	4.85
A4712 58-62	GROMMET - wiper cable, 4 holes	5.95
A9726 56	HOSE KIT - windshield wiper	34.25
A9742 57	HOSE KIT - windshield wiper	36.25
A9728 58-62	HOSE KIT - windshield wiper, w/o F.I.	40.87
A9730 58-61	HOSE KIT - windshield washer, F.I. (color coded)	37.95
A9732 62	HOSE KIT - windshield washer, F.I. (color coded)	40.90
A9782 53-55	JAR - windshield washer, glass	25.00

Quality - Service - Price
We have it all. Give us a call.



JAR
A9744

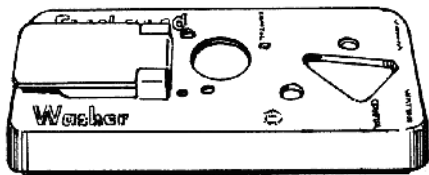
- A9744 57-62 JAR - windshield washer, that lid w/pump installs on35.00
- A2109 58-60 KNOB - wiper switch, w/o windshield washers . 23.95
- A2111 58-60 KNOB - wiper switch, w/windshield washers (w/push button)35.90
- A2117 61-62 KNOB - wiper switch w/washers (button) w/shaft, used20.00



LID

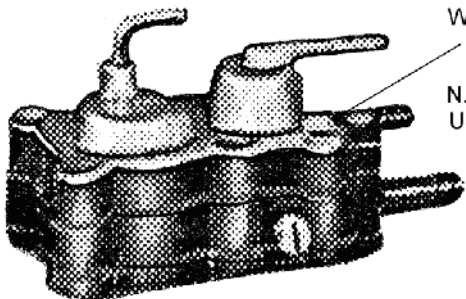
- A9785 57 LID - windshield washer jar, red, Trico, w/2 way black valve, NOS99.95
- A9764 58-59 LID - windshield washer jar, w/installation kit, gray/blue69.95
- A9765 60-62E LID - windshield washer jar, w/installation kit, gray/blue69.95
- A9763 62L LID - windshield washer jar, w/instruction kit, bright blue69.95
- A9781 53-55 LID - windshield washer, w/decals58.50
- A9767 58-59 LID - with used pump installed170.00
- A9768 60-62E LID - with used pump installed170.00
- A0850 62L LID - with used pump installed170.00

Our Washer Jar Lids are **TRICO®** Licensed Parts.



1958-62 STYLE

- A9741 53-62 NOZZLE - windshield washer10.00
- A9702 53-62 NOZZLE KIT - windshield washer, w/gasket & nuts (pr)29.00
- A9718 53-62 NUT - wiper arm transmission12.70
- A2122 58-60 NUT - wiper switch12.00
- A2123 61-62 NUT - wiper switch9.95
- A9704 53-62 NUT SET - windshield wiper nozzle, flat (pr)8.35



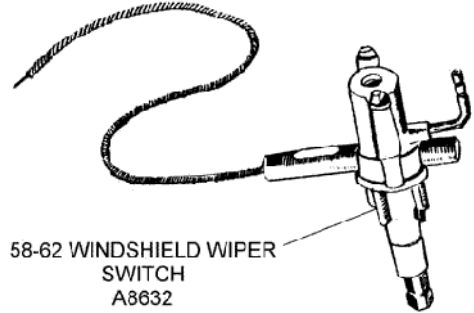
WINDSHIELD WASHER PUMP
N.O.S. A9740
USED A9737

- A9737 58-62 PUMP - windshield washer system jar lid, used143.95
- A9740 58-62 PUMP - windshield washer system jar lid, NOS299.95

- A9701 58-62 REBUILD KIT - windshield washer pump, includes body valve seals, lower pump seals, rivets, washers & more86.75
- A9766 58-62 REINFORCEMENT KIT - for use with A9763/64/65, includes Aluminum plate with rivets for use with pump w/o aluminum plate, allows for disassembly of pump & re-riveting14.95
- A9717 53-62 RESTORATION - wiper transmission76.50
- A9703 58-62 RESTORATION SERVICE - windshield washer pump on jar lid, (w/exchange)139.95

NOTE: Pump Restoration Service A9703 includes re-installation rivets or we can rivet pump to lid if you send us your lid. Exchange.

- A9719 53-62 RESTORATION SERVICE / WIPER SWITCH - windshield wiper, restored w/new cable (exchange - you must send in your cable to be redone) ...69.95
- A9759 53-62 SCREW - w/washers & nut, clutch head, washer system related components, windshield washer bracket to skirt (4 req.), windshield washer reservoir to shield w/FI (3 req) on RH skirt windshield washer vacuum tank w/FI to RH skirt (2 req), (ea)3.40
- A9964 56-62 SCREW SET - engine compartment for wire harness clip, hoses, etc. (Phillips head) (10 pc)3.75
- A9746 58-62 SHIELD - heat, F.I., washer, aluminum79.95
- A9708 53-57 SPACER SET - wiper arm transmission, chrome (pr)47.10
- A9714 58-62 SPACER SET - wiper arm transmission, chrome (pr)47.10



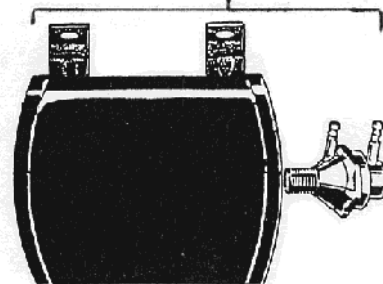
58-62 WINDSHIELD WIPER SWITCH
A8632

- A8632 58-62 SWITCH - windshield wiper, original-restored w/new cable89.95
- A9753 58-62 SWITCH - windshield wiper, w/stainless steel cable79.95
- A2916 61-62 TIE STRAP - aluminum, short, w/wiper hose ...22.50
- A2913 53-57 TIE STRAP - copper, windshield washer hose ...3.40
- A2914 58-60 TIE STRAP - copper, windshield washer hose ...3.40
- A2915 58-62 TIE STRAP - wiper cable, white plastic (1), horn wire (ea)2.60

NOTE: A2915 is used on wiper switch cable, 2 are used on the 61-62 horn wire and 5 are used on the washer hose.

- A2910 53-57 TIE STRAP KIT - wire harness, windshield wiper nose, and heater hose (8 pc)19.60
- A2911 58-60 TIE STRAP KIT - wire harness, windshield wiper hose, and heater hose (10 pc)50.20
- A2912 61-62 TIE STRAP KIT - wire harness, windshield wiper hose, and heater hose (10 pc)23.50
- A9788 53-62 TOOL - windshield wipers escutcheon, nut retainer8.55
- A9802 53-57 TRANSMISSION - wiper, LH, restored, exchange99.95
- A9803 53-57 TRANSMISSION - wiper, RH, restored, exchange99.95
- A9800 58-62 TRANSMISSION - wiper, LH, restored, exchange84.95
- A9801 58-62 TRANSMISSION - wiper, RH, restored, exchange84.95
- A9752 58-61E VACUUM CANISTER & VALVE - windshield washers167.50

VACUUM CAN WITH VALVE
A9752 1958-61E
A9751 1961L-62



A9751 61L-62	VACUUM CANISTER & VALVE - windshield washers	167.50
A6663 58-59	WASHER JAR LID - with NOS pump installed on it	339.95
A6662 60-62E	WASHER JAR LID - with NOS pump installed on it	339.95
A6661 62L	WASHER JAR LID - with NOS pump installed on it	339.95

Wiper Motor & Related

A9797 57-62	ACTUATOR - block washer coordinator (plastic)	15.00
A9748 57-62	ACTUATOR - slide, wiper motor, (plastic)	7.50
A9793 57E	COVER/ID PLATE - w/#5047984, wiper motor, thru Dec. 22	40.55
A9794 57L	COVER/ID PLATE - w/#5047991, wiper motor, after Dec. 22	40.55
A9795 58-62E	COVER/ID PLATE - w/#5044266, wiper motor	40.55
A9796 62L	COVER/ID PLATE - w/#5044479, wiper motor	40.55
A9715 55-62	GROUND WIRE - wiper motor	11.00
A9760 56-62	INSULATOR - wiper motor to wiper motor plate	4.50
A2109 58-60	KNOB - wiper switch, w/o windshield washers	23.95
A2111 58-60	KNOB - wiper switch, w/windshield washers (w/push button)	35.90
A9747 56-62	MOUNT KIT - wiper motor & wiper motor mount plate	4.10
A2122 58-60	NUT - wiper switch	12.00
A2123 61-62	NUT - wiper switch	9.95
A9786 53-57	PLATE - wiper motor mount, w/pulley (used, original)	CALL
A9736 58-62	PLATE - wiper motor mount, w/pulley (used, original)	CALL
A9735 54-56	PLATE/BASE - cable, w/retainer	6.95
A9733 62	PLATE/BASE - wiper cable mounting w/o coordinator	4.55
A9756 55-62	RESTORATION SERVICE - wiper motor, repair and restoration, all Steel parts replated, absolutely the finest quality available anywhere, guaranteed!	199.95
A9725 56-62	SCREW SET - wiper motor mount plate	3.95
A9738 58-62	SEAL - wiper motor to firewall	3.95
A9774 55-57	SUPPORT/BRACKET - mount, wiper motor end	9.00
A9772 58-62	SUPPORT/BRACKET - mount, wiper motor end	9.00
A9706 53-54	WIPER MOTOR - restored	CALL
A9710 55-56E	WIPER MOTOR - #5047799, restored	379.95
A9775 57E	WIPER MOTOR - #5047984, restored	379.95
A9776 57L	WIPER MOTOR - #5047991, restored	379.95
A9777 58-62E	WIPER MOTOR - #5044266, restored	379.95
A9778 62L	WIPER MOTOR - #5044479, restored	379.95

WINDSHIELDS, WINDOWS & GLASS

All windshields are truck shipments.

G5114 53-62	REPAIR KIT-windshield, makes crystal clear repair of stone damage	12.25
A4313 53-55	RESTORATION SERVICE - side curtain set, major restoration, Includes installation of new, dated Plexiglas, new butterfly hinges, replacement of all rubber, screws & rivets (as per factory), re-chroming of all appropriate trim (copper/nickel/chrome), approx. 8 week turnaround	2,295.00
A4312 53-55	RESTORATION SERVICE - side curtain set, w/replaced date-coded Plexiglas	549.95
A4306 56-62	RESTORATION SERVICE - side door glass, Send us your door glass frame. We will recondition it, install date coded glass & assemble w/new seals. (ea)	261.45
A0778 53-55	SEAL SET - windshield end frame (2pc)	4.75
A2613 56-62	TAPE SET - side window glass to channel filler (pr)	10.95
A4307 56-62	WINDOW - door, LH (ea)	109.95
A4308 56-62	WINDOW - door, RH (ea)	109.95
A4302 53-55	WINDSHIELD - glass, clear (not dated)	515.55
A4301 53-55	WINDSHIELD - glass, dated, w/logo ('see note below')	595.00
A4303 56-62	WINDSHIELD - glass, dated, w/logo ('see note below')	581.70

NOTE: 1953-62 Windshield and Glass Door shown above is supplied with correct manufacturer logo and dating. All glass is correct size and thickness to all judging standards. To order specify car serial number, code from original glass or build date. Glass drop shipped directly to you UPS or Truck from your supplier. All orders must be pre-paid by check or credit card. Shipping and crating \$57 on windshields - \$20 on side glass.

A4311 56-62	WINDSHIELD - glass, tinted	349.95
-------------	----------------------------------	--------

WIRE HARNESSSES, FLASHERS & FUSES

Coil Lead Wire

A9901 55	WIRE - coil to ballast resistor lead, braided	24.00
A9902 58-62	WIRE - coil to ballast resistor lead	11.00

Courtesy Light

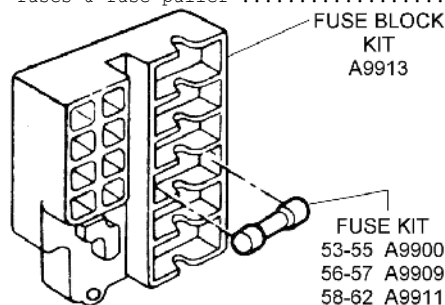
A9951 55-57	HARNES SET - courtesy light extensions (4 pc)	16.00
A9957 58-62	SOCKET - courtesy light, w/wires	15.65

Dash / Main Harness', Flashers, Bulb Kits & Related Components

A6025 53-54	BULB KIT - all bulbs except headlights (19 pc)	16.95
A6031 55-57	BULB KIT - all bulbs except headlights (19 pc)	16.95
A6032 58-59	BULB KIT - all bulbs except headlights (17 pc)	16.95
A6041 60	BULB KIT - all bulbs except headlights (17 pc)	16.95
A6042 61-62	BULB KIT - all bulbs except headlights (18 pc)	16.95
A8676 53-54	FLASHER - turn signal, Tung Sol #535, 6 volt, etched lettering, 3 prong, long bronze can, NOS/NEW	19.95
A8696 53-54	FLASHER - turn signal / 6 volt (replacement)	7.50
A8691 55-57	FLASHER - turn signal, ink stamped Tung Sol AP273, dated, NOS (dates available: 3-56, 4-56) supplies limited! NOS/NEW	34.95
A8672 57L-60	FLASHER - turn signal, round Tung Sol #AP273, embossed, NOS/NEW	19.95
A8679 55-60	FLASHER - turn signal, 2 bulb (replacement)	7.95
A8670 55-60	FLASHER - turn signal, 2 bulb, Signal Stat #ZN232, NOS/NEW, original	49.95
A8675 61-62	FLASHER - turn signal, 3 bulb, Signal Stat #ZN332, NOS/NEW original	CALL
A8690 61-62	FLASHER - turn signal, 3 bulb, Tung Sol AP 373, NOS / NEW original	29.95
A8681 61-62	FLASHER - turn signal, 3 bulb (replacement)	5.25
A9900 53-55	FUSE & FLASHER KIT - generic, 6 volt , (8 pc)	26.00
A9909 55-57	FUSE & FLASHER KIT - generic, 12 volt, (13 pc)	14.95
A9911 58-62	FUSE & FLASHER KIT - generic, (11 pc)	14.95

NOTE: Our fuse and flasher kits contain enough fuses and flashers to replace all those in your Corvette, plus provide you with a spare of each variety. Includes fuse removal tool.

A9996 55-56	FUSE & FLASHER EMERGENCY KIT - 10 glass fuses & fuse puller	7.95
-------------	---	------



A9913 58-62	FUSE BLOCK KIT - includes fuse block, buss bars & clips	110.00
A9910 53-55	HARNES - main/dash (1955 6 cylinder. 6 volt only)	469.00
A9912 55	HARNES - main/dash 12 VOLT	399.00
A9914 56-57	HARNES - main/dash	399.00
A9916 58-61	HARNES - main/dash	399.00
A9915 62	HARNES - main/dash w/integrated clock harness	399.00

NOTE: All 1953-62 Main Dash Harnesses now have correct metal lamp socket as original.

Dash Accessory Harnesses & Related Components

A9904 53-55	GROUND WIRE - cigarette lighter	11.00
A9905 55-57	GROUND WIRE - cigarette lighter	11.00
A9960 58-61	HARNES - clock	17.75
A9935 53-54	SHIELD & LAMP SOCKET - cigarette lighter	15.00
A9921 55-62	SHIELD & LAMP SOCKET - cigarette lighter	16.00
A2115 53-62	SHIELD - cigarette lighter bulb	11.40

- A9985 53-54 WIRE - distributor to coil11.00
- A9917 55-61 WIRE - distributor to coil9.00

Engine / Ignition System Harness

- A9920 53-55 HARNESS - ignition/engine, auto transmission, 6 cylinder84.00
- A9922 55 HARNESS - ignition/engine, auto transmission, V884.00
- A9924 55 HARNESS - ignition/engine, manual transmission84.00
- A9925 56 HARNESS - ignition/engine, auto transmission84.00
- A9926 56 HARNESS - ignition/engine, manual transmission84.00
- A9927 57E HARNESS - ignition/engine, auto transmission (thru Feb. 1957)84.00
- A0011 57L HARNESS - ignition/engine, auto transmission (after Feb. 1957)84.00
- A9930 57 HARNESS - ignition/engine, auto transmission, w/F.I.84.00
- A9928 57E HARNESS - ignition/engine, manual transmission (thru Feb. 1957)84.00
- A0012 57L HARNESS - ignition/engine, manual transmission (after Feb. 1957)84.00
- A9931 57 HARNESS - ignition/engine, manual transmission, w/F.I.84.00
- A9932 58-61 HARNESS - ignition/engine, auto transmission84.00
- A9933 58-62 HARNESS - ignition/engine, manual transmission79.95
- A9934 62 HARNESS - ignition/engine, auto transmission84.00
- A0013 56 REPAIR KIT - engine harness, temperature sender wire (orange) w/connector terminal & loom7.95
- A2008 57-62 REPAIR KIT - engine harness, temperature sender wire (dark blue) w/terminal & loom ...11.95

Front Turn Signal & Parking Light Socket & Wiring

- A9972 53-54 HARNESS SET - parking light lead w/sockets (pr)99.95
- A9958 55-57 HARNESS SET - parking light lead w/sockets (pr)99.95
- A0001 58-62 HARNESS SET - parking lamp (pr)57.25

Fuel Injection Harness

- A9954 57 HARNESS - fuel injection choke leads16.00
- A9955 58-61 HARNESS - fuel injection choke leads16.50
- A9956 62 HARNESS - fuel injection choke leads16.50

Generator & Regulator Harness

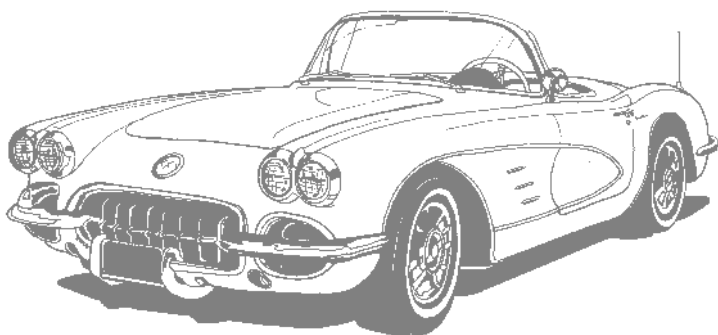
- A9936 58-59 HARNESS - regulator to generator32.95
- A9982 60-62 HARNESS - regulator to generator32.95

Ground Strap Kit

- A7102 55-60 GROUND STRAP KIT - radio25.95
- A7107 61-62 GROUND STRAP KIT - radio25.95

Harness - Miscellaneous

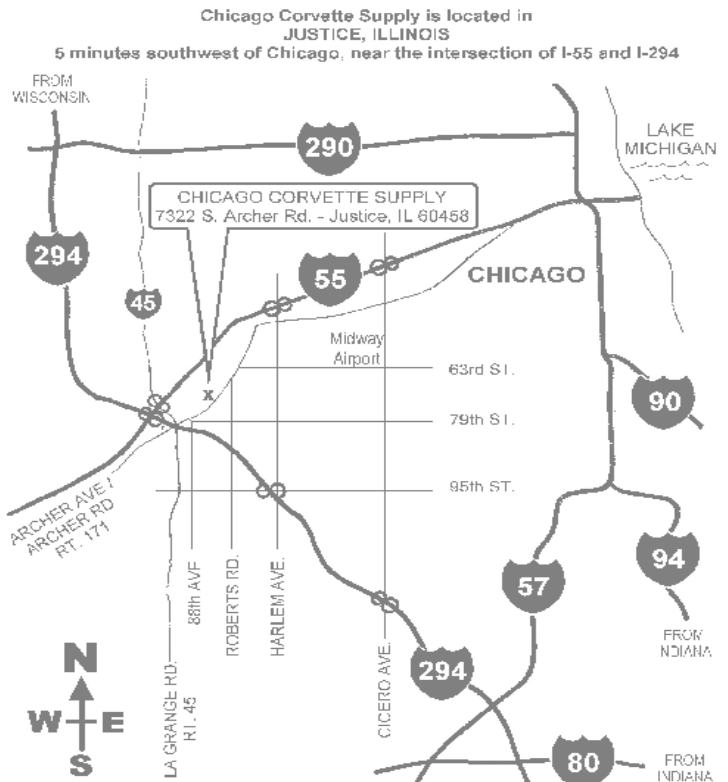
- A2008 57-62 REPAIR KIT - engine harness, temperature sender wire (dark blue) w/terminal & loom ...11.95
- A9961 53-62 TAPE - wire harness, non-adhesive, 1 1/4' wide (100 ft. roll)15.00
- A0015 53-82 TAPE - wire harness, non-adhesive, 3/4' wide (100 ft. roll)15.00



Harness Car Kits

1953-55 WIRE HARNESS KITS				
A0002	53-54	HARNESS KIT - 6 cyl.		
A0003	55	HARNESS KIT - V8 w/auto trans.		
A0004	55	HARNESS KIT - V8 w/manual trans.		
A6025	53-54	BULB KIT		1
A6031	55	BULB KIT	1	1
A9910	53-54	DASH (main) HARNESS		1
A9912	55	DASH (main) HARNESS	1	1
A9920	53-54	ENGINE HARNESS - 6 cyl.		1
A9922	55	ENGINE HARNESS - auto trans.		1
A9924	55	ENGINE HARNESS - manual trans.	1	
A8676	53-54	FUSE & FLASHER KIT		1
A8691	55	FUSE & FLASHER KIT	1	1
A9937	53-54	HEADLIGHT EXTENSION		1
A9938	55	HEADLIGHT EXTENSION	1	1
A9983	53-55	HORN WIRE	1	1
A9943	53-54	REAR HARNESS		1
A9944	53	REAR HARNESS	1	1
G0002	53-54	WIRING DIAGRAM		1
G0004	55	WIRING DIAGRAM	1	1

- A0002 53-54 WIRE HARNESS KIT - all w/6 cylinder / for details see diagram at left695.00
- A0003 55 WIRE HARNESS KIT - all w/V8 w/automatic transmission / for details see diagram at left ...695.00
- A0004 55 WIRE HARNESS KIT - all w/V8 w/manual transmission / for details see diagram at left ...695.00
- A0006 56 WIRE HARNESS KIT - all w/automatic transmission / for details see diagram at left ...595.00



1956-57 WIRE HARNESS KITS						
A0005	56	MANUAL TRANS.				
A0006	56	AUTOMATIC TRANS.				
A0007	57	MANUAL TRANS. & CARBURETOR				
A0008	57	MANUAL TRANS. & FI				
A0009	57	AUTOMATIC TRANS. & CARBURETOR				
A0010	57	AUTOMATIC TRANS. & FI				
A6031	56-57	BULB KIT	1	1	1	1
A9925	56	ENGINE HARNESS - w/auto trans.				1
A9926	56	ENGINE HARNESS - w/manual trans.				1
A9927	57	ENGINE HARNESS - w/auto trans.	1			
A9928	57	ENGINE HARNESS - w/manual trans.			1	
A9930	57	ENGINE HARNESS - auto trans. & FI	1			
A9931	57	ENGINE HARNESS - manual trans. & FI		1		
A9909	56-57	FUSE & FLASHER KIT	1	1	1	1
A9938	56-57	HEADLIGHT EXTENSION	1	1	1	1
A9983	56-57	HORN WIRE	1	1	1	1
A9914	56-57	MAIN DASH HARNESS	1	1	1	1
A9950	56-57	SOCKET & LEAD WIRE - license	1	1	1	1
A9715	55-57	GROUND - wiper motor	1	1	1	1
G0004	56-57	WIRING DIAGRAM (laminated)	1	1	1	1

A0005 56 WIRE HARNESS KIT - all w/manual transmission / for details see diagram at left 595.00
 A0009 57 WIRE HARNESS KIT - all w/automatic transmission & carburetor - 1x4 or 2x4 / for details see diagram at left595.00
 A0010 57 WIRE HARNESS KIT - all w/automatic transmission & fuel injection / for details see diagram at left595.00
 A0007 57 WIRE HARNESS KIT - all w/manual transmission & carburetor - 1x4 or 2x4 / for details see diagram at left595.00
 A0008 57 WIRE HARNESS KIT - all w/manual transmission & fuel injection / for details see diagram at left595.00

1958-62 WIRE HARNESS KITS						
A9965	58-60	MANUAL TRANS.				
A9966	58-60	AUTOMATIC TRANS.				
A9967	61	MANUAL TRANS.				
A9968	61	AUTOMATIC TRANS.				
A9969	62	MANUAL TRANS.				
A9970	62	AUTOMATIC TRANS.				
A9916	58-61	DASH (main)			1	1
A9915	62	DASH (main)	1	1		
A9911	58-62	FUSE & FLASHER KIT	1	1	1	1
A9939	58-62	HEADLIGHT	1	1	1	1
A9983	58-62	HORN WIRE	1	1	1	1
A9933	58-62	IGNITION - manual		1		1
A9932	58-61	IGNITION - automatic			1	1
A9934	62	IGNITION - automatic	1			
A9945	58-60	REAR				1
A9946	61-62	REAR	1	1	1	1
A9936	58-60	REGULATOR TO GENERATOR				1
A9982	61-62	REGULATOR TO GENERATOR	1	1	1	1
G0006	58-60	WIRING DIAGRAM (laminated)				1
G0008	61-62	WIRING DIAGRAM (laminated)	1	1	1	1

A9965 58-60 WIRE HARNESS KIT - all w/ manual transmission / for details see diagram at left ... 615.00
 A9966 58-60 WIRE HARNESS KIT - all w/automatic transmission / for details see diagram at left ... 629.00
 A9968 61 WIRE HARNESS KIT - all w/automatic transmission / for details see diagram at left ... 639.00
 A9967 61 WIRE HARNESS KIT - all w/ manual transmission / for details see diagram at left ... 629.00
 A9970 62 WIRE HARNESS KIT - all w/automatic transmission / for details see diagram at left ... 639.00
 A9969 62 WIRE HARNESS KIT - all w/ manual transmission / for details see diagram at left ... 629.00

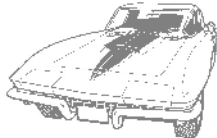
ORDER BY PHONE:

1-800-872-2446



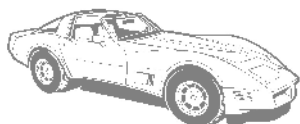
ORDER BY FAX:

708-458-2662



TECHNICAL QUESTIONS:

708-458-2500



CUSTOMER SERVICE:

708-458-6577

QUESTIONS ABOUT YOUR ORDER:

708-458-2500

Headlight Bucket Extensions Harness

A4713 53-57 GROMMET - headlight bucket wire harness5.25
 A9937 53-54 HARNESS - headlight extension w/crimped grommet, and correct braided wire (pr)65.00
 A9938 55-57 HARNESS - headlight extension w/crimped grommet (pr)255.00
 A9939 58-62 HARNESS - headlight extension w/grommet (pr)55.00

Heater

A9907 53-54 LEADS - heater28.00
 A9908 55-57 LEADS - heater28.00

Horn

A9983 53-62 WIRE - horn, inserts through steering column12.50

Parking Brake Harness

A6035 60-62 BULB - parking brake alarm (flashing)2.20
 A9999 53-54 HARNESS- parking brake16.00
 A9963 55-57 HARNESS - parking brake16.00
 A9971 58-60 HARNESS - parking brake16.00
 A9953 61-62 HARNESS - parking brake16.00

Power Top Harness

A9984 56-62	GROUND STRAP - power top	18.50
A9987 56	HARNESS - power top, deck lid limit switch	74.20
A9975 57-62	HARNESS - power top, deck lid limit switch	74.20
A9988 56	HARNESS - power top, frame top limit switch	72.00
A9976 57-62	HARNESS - power top, frame top limit switch	74.20
A9990 56	HARNESS - power top, main	134.00
A9991 57	HARNESS - power top, main	134.00
A9978 58-62	HARNESS - power top, main	134.00
A9977 56-62	HARNESS - power top, main feed lead	14.95
A9992 56	HARNESS KIT - power top	258.50
A9993 57	HARNESS KIT - power top	258.50
A9949 58-62	HARNESS KIT - power top	258.50

	w/wires	11.50
A5831 58-62	SCREW SET - wire cover floor plates (8 pc)	2.65
A9950 56-57	SOCKET & LEAD WIRE SET - license lights (pr)	22.00
A9952 58-60	SOCKET & LEAD WIRE SET - license lights (pr)	22.00
A0088 61-62	SOCKET & LEAD WIRE - license light/replacement	14.75

Transmission Harness

A9973 53-54	HARNESS - neutral safety switch	11.00
A9959 55-61	HARNESS - neutral safety switch	11.00

Power Window Harness

A0120 56-62	HARNESS - power window motor conversion / when installing a type '3' style motor w/2 parallel terminals	10.35
B9811 56-62	HARNESS - power window motor conversion / when installing a type '2' motor w/'t' configured terminals	10.35
A9941 56-57	HARNESS - power window system	144.50
A9948 58	HARNESS - power window system	144.00
A9942 59-62	HARNESS - power window system	144.00

Turn Signal Switch Assembly With Harness

A8628 55-62	SWITCH ASSEMBLY - turn signal, w/wire harness (12 volt)	26.25
-------------	---	-------

Windshield Wiper

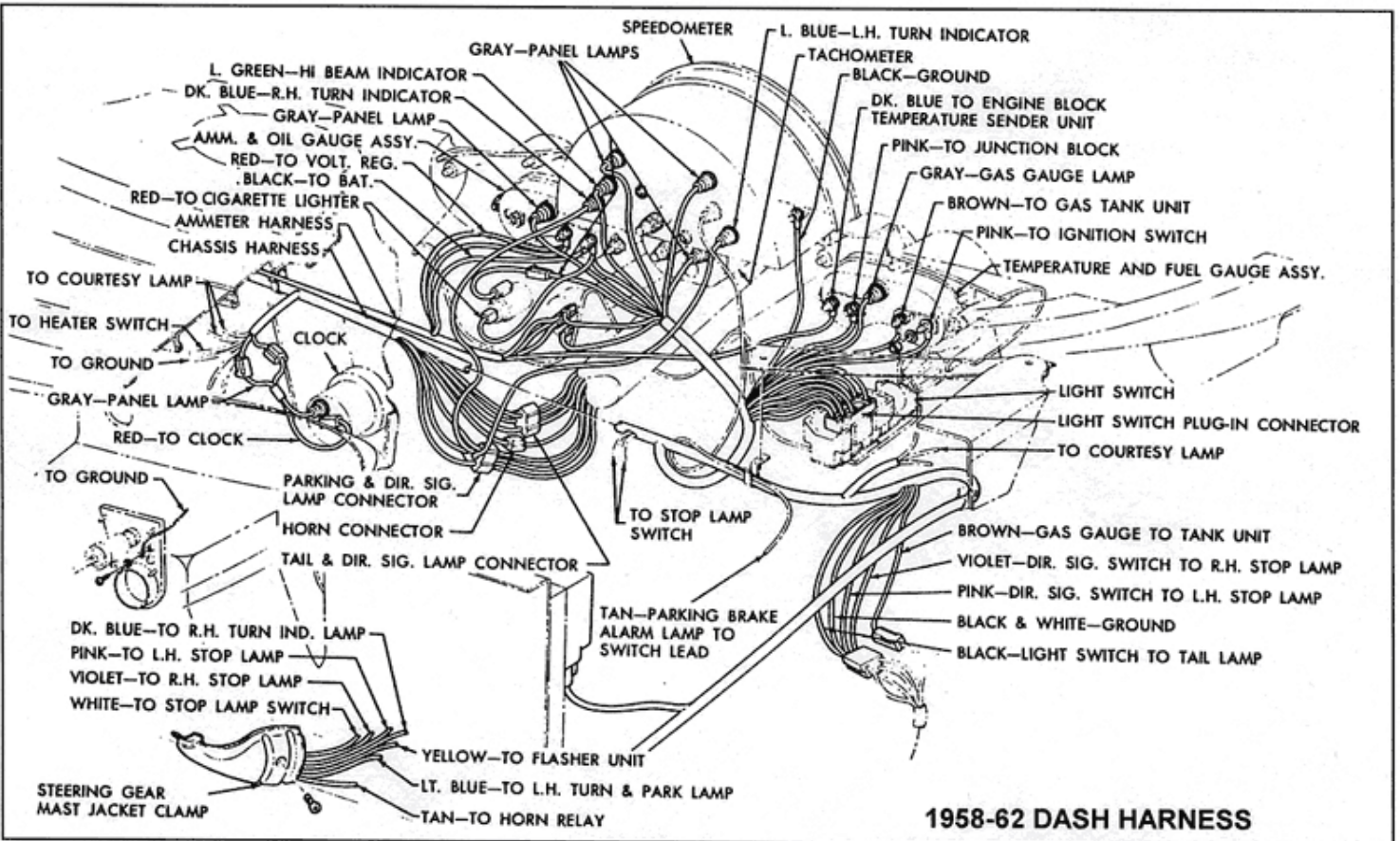
A9715 55-62	GROUND WIRE - wiper motor	11.00
A0016 55-57	POWER LEAD - windshield wiper motor (wire coming from inside armature cover)	10.50
A0017 58-62	POWER LEAD - windshield wiper motor (wire coming from inside armature cover)	10.50

Radio

A9981 58-62	GROUND WIRE - radio to valve cover	11.00
A9919 58-62	HARNESS SET - radio to speaker	20.00
A9994 53-54	LEADS - radio power	18.00
A9995 55-57	LEADS - radio power	18.00

Wire Harness Retainers

A2004 56-60E	BRACKET SET - temperature wire on valve cover (pr)	10.60
A2006 60L-62	BRACKET SET - temperature wire on valve	



1958-62 DASH HARNESS

Rear Body Harness

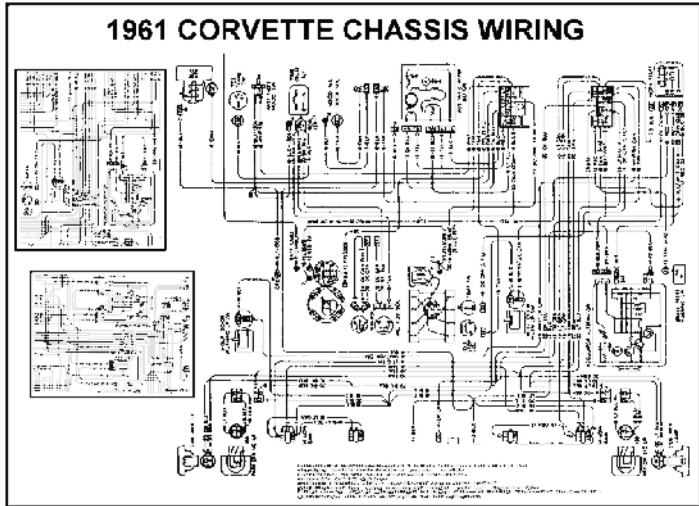
A0508 56-62	BRACKET - rear wire harness & antenna cable under deck lid, long	6.95
A0510 56-62	BRACKET - rear wire harness & antenna cable under deck lid, short	5.75
A5858 58-62	COVER SET - wire harness floor plates, under carpet along sill plate, Stainless Steel (pr)	47.10
A4048 53-62	GROMMET - wire harness thru body	2.95
A9943 53-54	HARNESS - rear	110.00
A9944 55	HARNESS - rear	110.00
A9986 56-57	HARNESS - rear	99.00
A9945 58-60	HARNESS - rear	99.00
A9946 61-62	HARNESS - rear	110.00
A6036 53-62	PIGTAIL - tail light connector, turn/stop,	

	cover (pr)	8.00
A9962 56-62	CLIP & SCREW SET - under hood wire harness/cable, (6 short & 14 long clips w/screws)	41.95
A9980 58-62	CLIP SET - headlight wire harness connector, to nose panel (4 pc)	13.95
A9979 56-62	CLIP SET - under dash wire harness to windshield bolts, (6 pc)	15.30
A5858 58-62	COVER SET - wire harness floor plates, under carpet along sill plate, Stainless Steel (pr)	47.10
A4048 53-62	GROMMET - firewall, 1 hole, 1', small 7/8 diameter	2.95
A4709 56-62	GROMMET - firewall, 1 hole, large 1 3/8 diameter	5.50
A4712 56-62	GROMMET - firewall, 4 holes	5.95

A4714	58-62	GROMMET - firewall/windshield washer hoses, 2 holes	7.00
A4702	56-57	GROMMET SET - firewall & body (24 pc)	51.40
A4704	58-62	GROMMET SET - firewall & body (contains A4708, A4709, A4048, A4712, A4714 & A4716) (25 pc)	52.95
A9964	56-62	SCREW SET - engine compartment for wire harness clip, hoses, etc. (Phillips head) (10 pc)	3.75
A2916	61-62	TIE STRAP - aluminum, short, w/wiper hose ..	22.50
A2913	53-57	TIE STRAP - copper, oval end (4 used under dash for wiring)	3.40
A2914	58-60	TIE STRAP - copper, square end (4 used under dash for wiring)	3.40
A2915	58-62	TIE STRAP - wiper cable, white plastic (1), horn wire (ea)	2.60
A2911	58-60	TIE STRAP KIT - wire harness, windshield wiper hose, and heater hose (10 pc)	50.20
A2912	61-62	TIE STRAP KIT - wire harness, windshield wiper hose, and heater hose (10 pc)	23.50
A2910	53-57	TIE STRAP KIT - wire harness, windshield wiper nose, and heater hose (8 pc)	19.60

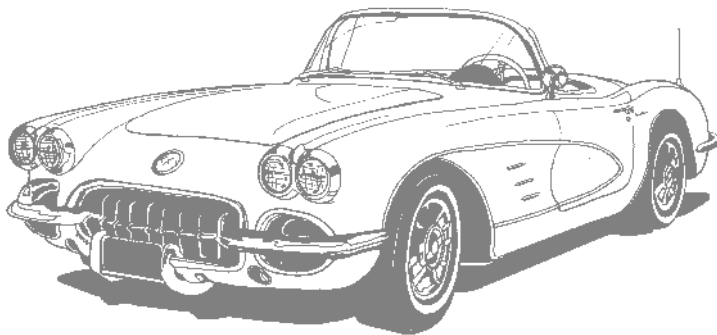


Wiring Diagrams



NOTE: All wiring diagrams are plastic laminated on both sides for ease of use and durability. Use them while working on your Corvette's electrical system. Oil and grease easily wipe off.

G0002	53-54	WIRING DIAGRAM - (17' x 22'), laminated	14.95
G0004	55-57	WIRING DIAGRAM - (17' x 22'), laminated	14.95
G0006	58-60	WIRING DIAGRAM - (17' x 22'), laminated	14.95
G0008	61-62	WIRING DIAGRAM - (17' x 22'), laminated	14.95



ORDER FORM

PLEASE PRINT

See "Ordering Information and Policies" (inside back cover)

Customer # _____ Date _____

SOLD TO:

NAME _____
 ADDRESS _____
 CITY _____ STATE _____ ZIP _____ COUNTRY _____

SHIP TO: _____ Residential Delivery _____ Business Delivery

NAME _____
 ADDRESS _____
 CITY _____ STATE _____ ZIP _____ COUNTRY _____

PHONE: Daytime (work) number
 (_____) _____
 Home Number
 (_____) _____

CHECK ONE: Ship my order now, and ship any back ordered items when available.
 Ship my order only when all items are available.

If you need additional order forms, please photocopy this order form or list additional items on a blank sheet of paper. Please provide the pertinent information required on this page.

Model Year:	<input type="checkbox"/> Coupe <input type="checkbox"/> Conv. <input type="checkbox"/> Other	<input type="checkbox"/> Auto <input type="checkbox"/> 3-Spd. <input type="checkbox"/> 4-Spd.	Engine Size (cu. in.)	H/P:
Trim Tag (Code No.)	Interior Color (Code No.)	Exterior Color	Options <input type="checkbox"/> A/C <input type="checkbox"/> PB <input type="checkbox"/> P/S <input type="checkbox"/> P/W	<input type="checkbox"/> Personal Check <input type="checkbox"/> Company Check <input type="checkbox"/> Money Order <input type="checkbox"/> C.O.D. - \$7.00 fee <small>(C.O.D. cash no longer accepted by U.P.S Driver)</small>
CREDIT CARD (check one): <input type="checkbox"/> Visa <input type="checkbox"/> Master Card <input type="checkbox"/> Discover				
CARD NUMBER: _____				
EXPIRATION DATE: _____				
NAME ON CARD _____				
AUTHORIZED SIGNATURE _____				

Quantity	Part #	Full Description	Page	Price	Total
	G0305	Gift Certificate - Name of Recipient: _____	- - -		
- - - -	- - - -	Circle Catalog Desired (A - 53-62) (B - 63-67) (C - 68-82)	- - -	FREE	FREE



MAIL or FAX to:

CHICAGO CORVETTE

7322 S. Archer Rd. Justice, IL 60458
 Fax: (708) 458-2662

For more information, visit us online at www.ChicagoCorvette.net

Sub Total (No minimum order)	
** Express Service \$5.00	
Handling	3.95
* Shipping - 10% or minimum \$5.00	
Illinois Residents - add 7.75% sales tax	
C.O.D. \$7.00	
Order Total	

*Call for a shipping quote if you are pre-paying (check or money order) on orders with oversized or extra heavy items (rear ends, trailing arms, large fiberglass parts, etc.)
 ** Products in stock will ship the next working day after the order is received. Check "Ship my order now" box above.

TECH. QUESTIONS: (708) 458-6577 (Mon.-Fri. only) **ORDERS ONLY:** (non 312, 630, 708, 773, 847 area codes): 1-800-872-2446
ORDERS (local): (708) 458-2500 FAX: (708) 458-2662

PHONE SALES HOURS: Monday – Friday: 8 AM – 6PM (CST) Saturday: 9 AM – 2 PM (CST) Closed Sundays and Holidays
 Not responsible for typographical errors or omissions. All prices and part numbers subject to change without notice. See "Ordering Information and Policies" for more info.

ORDER FORM

PLEASE PRINT

See "Ordering Information and Policies" (inside back cover)

Customer # _____ Date _____

SOLD TO:

NAME _____
 ADDRESS _____
 CITY _____ STATE _____ ZIP _____ COUNTRY _____

SHIP TO: _____ Residential Delivery _____ Business Delivery

NAME _____
 ADDRESS _____
 CITY _____ STATE _____ ZIP _____ COUNTRY _____

PHONE: Daytime (work) number
 (_____) _____
 Home Number
 (_____) _____

CHECK ONE: Ship my order now, and ship any back ordered items when available.
 Ship my order only when all items are available.

If you need additional order forms, please photocopy this order form or list additional items on a blank sheet of paper. Please provide the pertinent information required on this page.

Model Year:	<input type="checkbox"/> Coupe <input type="checkbox"/> Conv. <input type="checkbox"/> Other	<input type="checkbox"/> Auto <input type="checkbox"/> 3-Spd. <input type="checkbox"/> 4-Spd.	Engine Size (cu. in.)	H/P:
Trim Tag (Code No.)	Interior Color (Code No.)	Exterior Color	Options <input type="checkbox"/> A/C <input type="checkbox"/> PB <input type="checkbox"/> P/S <input type="checkbox"/> P/W	<input type="checkbox"/> Personal Check <input type="checkbox"/> Company Check <input type="checkbox"/> Money Order <input type="checkbox"/> C.O.D. - \$7.00 fee <small>(C.O.D. cash no longer accepted by U.P.S Driver)</small>
CREDIT CARD (check one): <input type="checkbox"/> Visa <input type="checkbox"/> Master Card <input type="checkbox"/> Discover				
CARD NUMBER: _____				
EXPIRATION DATE: _____				
NAME ON CARD _____				
AUTHORIZED SIGNATURE _____				

Quantity	Part #	Full Description	Page	Price	Total
	G0305	Gift Certificate - Name of Recipient: _____	- - -		
- - - -	- - - -	Circle Catalog Desired (A - 53-62) (B - 63-67) (C - 68-82)	- - -	FREE	FREE



MAIL or FAX to:

CHICAGO CORVETTE

7322 S. Archer Rd. Justice, IL 60458
 Fax: (708) 458-2662

For more information, visit us online at www.ChicagoCorvette.net

Sub Total (No minimum order)	
** Express Service \$5.00	
Handling	3.95
* Shipping - 10% or minimum \$5.00	
Illinois Residents - add 7.75% sales tax	
C.O.D. \$7.00	
Order Total	

*Call for a shipping quote if you are pre-paying (check or money order) on orders with oversized or extra heavy items (rear ends, trailing arms, large fiberglass parts, etc.)
 ** Products in stock will ship the next working day after the order is received. Check "Ship my order now" box above.

TECH. QUESTIONS: (708) 458-6577 (Mon.-Fri. only) **ORDERS ONLY:** (non 312, 630, 708, 773, 847 area codes): 1-800-872-2446
ORDERS (local): (708) 458-2500 FAX: (708) 458-2662

PHONE SALES HOURS: Monday – Friday: 8 AM – 6PM (CST) Saturday: 9 AM – 2 PM (CST) Closed Sundays and Holidays
 Not responsible for typographical errors or omissions. All prices and part numbers subject to change without notice. See "Ordering Information and Policies" for more info.