



www.ChicagoCorvette.net

1963-67 Catalog

MAY 2011

TABLE OF CONTENTS

AIR CONDITIONING.....	1	GAUGES, GAUGE LENS & RELATED PARTS.....	84
ANTENNA & RELATED.....	3	GRILLE.....	84
BATTERY & RELATED.....	4	HEADLIGHT SYSTEM.....	85
BODY MOUNTING & UNDERBODY COMPONENTS.....	5	HEATER & VENT SYSTEM.....	87
BOOKS, MANUALS & SALES BROCHURES.....	7	HOOD & HOOD RELATED.....	89
BRAKE SYSTEM.....	7	INTERIORS.....	90
BUMPERS & MOUNTING.....	15	JACKS, STORAGE COMPARTMENT & RELATED.....	99
CABLES & RELATED.....	16	LICENSE AREA.....	99
CLOCKS & RECONDITIONING PARTS.....	16	LIGHTS, LAMPS & RELATED.....	100
CLUTCH & BELL HOUSING.....	16	LOCKS & RELATED.....	101
CONSOLE - SHIFTER AREA.....	18	MIRRORS.....	101
COOLING SYSTEM.....	19	POWER STEERING.....	102
DASH: GAUGE CLUSTER AREA, GLOVE BOX & HEATER/RADIO CONTROLS.....	23	RADIO & RELATED.....	105
.....	23	REAR END / DIFFERENTIAL - COMPLETE ASSEMBLIES, CASES, SIDE	
DECALS, LABELS, INSTRUCTIONS & TAGS.....	25	YOKES, COVERS & REBUILDING COMPONENTS.....	107
DECK LID - CONVERTIBLE.....	29	ROCKER PANEL MOLDINGS & RETAINERS.....	109
DOOR: INTERNAL & EXTERNAL, DOOR JAM, HINGE PILLAR, POWER		SHIFTER, SHIFTER PARTS & LINKAGE.....	110
WINDOWS.....	30	SPARE TIRE CARRIER COMPONENTS & KITS.....	111
EMBLEMS.....	34	STEERING COLUMN.....	112
ENGINE ASSEMBLY & COMPONENTS: AIR CLEANERS, ALTERNATORS,		SUSPENSION - FRONT & REAR.....	116
BLOCKS, CARBURETORS, DISTRIBUTORS, EXHAUST MANIFOLDS, FUEL		SWITCHES - NOS, RESTORED, NEW & REPRODUCTION.....	124
PUMPS, HEADS, IGNITION SHIELDING, INTAKE MANIFOLDS, STARTERS,		TOOLS.....	126
VALVE COVERS, WATER PUMPS & MORE.....	35	TOP ASSEMBLIES & RELATED PARTS.....	127
ENGINE COMPARTMENT: SPLASH SHIELDS, HORN SYSTEM, GROMMETS,		TRANSMISSION & RELATED - BORG WARNER, MUNCIE, SAGINAW &	
TIE STRAPS.....	71	POWERGLIDE.....	128
EXHAUST.....	73	WEATHERSTRIP.....	130
FIBERGLASS.....	75	WHEELS, TIRES & HUBCAPS.....	132
FRAME.....	80	WINDOW TRIM & FRAME - FRONT & REAR.....	134
GAS DOOR, TANK & PEDAL.....	81	WINDOWS/GLASS.....	135
GASKETS, GASKET KITS & SEALS.....	83	WINDSHIELD WIPER MOTOR, WASHER & RELATED.....	136
		WIRE HARNESSSES, FLASHER & FUSES.....	137

SEE NEXT PAGE FOR DETAILED INDEX

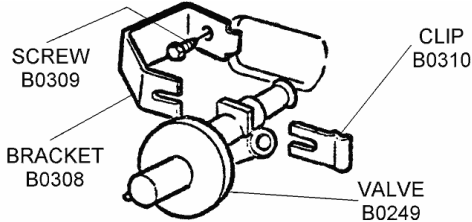
INDEX

A-ARMS.....	117	CONVERTIBLE TOP CANVAS.....	127	HARMONIC BALANCERS.....	58	RIVETS-BODY.....	6
A.I.R. HOSES.....	41	COURTESY LIGHTS & BRACKETS.....	101	HEAD BOLTS & GASKETS.....	58	ROCKER MOLDINGS.....	109
A.I.R./EMISSION SYSTEM.....	41	COWL WIRING CLIP SETS.....	139	HEAD RESTS-SEAT.....	97	RODS-NOSE & GRILLE.....	85
ACCELERATOR PEDAL.....	82	CRANKCASE VENT TUBES.....	36, 43, 67	HEADER BARS.....	6, 77, 85	ROTOR-IGNITION.....	59, 60
ACCELERATOR RODS.....	55	DASH CLUSTER.....	16, 23, 105, 137	HEADLIGHT BEZEL.....	85	ROTOS-BRAKES.....	9, 117
ACCELERATOR SPRING BRACKET.....	55	DASH INDICATORS.....	25	HEADLIGHTS & SYSTEMS.....	85	SEAT BELT LABELS.....	96
AIR CLEANER SYSTEMS.....	35	DASH PADS.....	23, 92	HEADLINER-COUPÉ.....	93	SEAT BELTS & RETAINERS.....	96
AIR CONDITIONING.....	1	DASH-AREA.....	23	HEADLINER-HARDTOP.....	93, 128	SEAT COVERS.....	97
ALTERNATORS.....	38	DECALS, INSTRUCTIONS & LABELS.....	25	HEADS.....	58	SEAT HARDWARE & MOUNTING.....	97
AMMETER.....	84	DECK LID.....	29, 128	HEAT RISER.....	41, 42	SHIFTER & LINKAGE.....	111
AMPLIFIER MODULE.....	64	DIMMER SWITCH GROMMET.....	91	HEATER BOX-INNER & OUTER.....	88	SHIFTER BOOTS.....	110
ANTENNA.....	3	DIPSTICKS & TUBES-OIL.....	67	HEATER CONTROLS.....	87	SHOCK MOUNT-REAR.....	123
ANTENNA CABLE.....	3	DISTRIBUTORS.....	60	HEATER CORE.....	1, 88	SHOCKS-FRONT.....	117
ARM RESTS-CENTER CONSOLE.....	92	DIVERTER VALVES-A.I.R.....	41	HEATER KNOBS.....	18, 23, 88	SHOCKS-REAR.....	123
ARM RESTS-DOOR.....	92	DOME LIGHTS.....	101	HOLLEY CARBURETORS.....	46	SIDE EXHAUST.....	75
ASH TRAY.....	18	DOOR MOLDINGS-CONVERTIBLE.....	30	HOOD LATCHES, HINGES & BOLTS.....	90	SILL PLATES.....	91, 98
AUTOMATIC TRANS LINKAGE.....	111	DOOR PANEL TRIM.....	92	HOOD SUPPORT.....	90	SLAVE CYLINDER-POWER STEERING.....	105
BACK-UP LIGHT SWITCH.....	111, 125, 130	DOOR PANELS.....	92	HOODS.....	90	SOFT TOP.....	127
BACK-UP LIGHTS.....	101	DOOR-HINGE PILLAR AREA.....	33	HORN CONTACT.....	112	SPARE TIRE CARRIER.....	111
BAFFLE PLATE / CARBURETOR.....	44, 56	DOOR-INTERNAL CONVERTIBLE.....	30	HORN RELAYS-ORIGINAL.....	71, 126	SPARK PLUG WIRES.....	63, 126
BALLAST RESISTORS.....	58	DOOR-INTERNAL COUPÉ.....	31	HORN SYSTEMS.....	21, 71	SPEAKERS.....	107
BATTERIES.....	4	DRIVE SHAFT.....	121	HOSE CLAMPS.....	19, 87	SPEED NUTS, EMBLEMS, HEATER.....	35
BATTERY ACCESS COVER/PANEL.....	2, 5	DRUMS & SHOES.....	9	HOSE-VACUUM ADVANCE.....	61	SPEEDOMETER.....	84
BATTERY CABLES.....	4	DUCTS-AC.....	1	HOSES-BRAKE.....	7	SPINBLE/HUB-FRONT AXIL.....	117
BATTERY TRAYS.....	5	DUST SHIELDS-BRAKES/FRONT.....	117	HOSES-HEATER.....	21, 87	SPINDLE-TRAILING ARM.....	123
BEARING SUPPORT.....	124	DUST SHIELDS-BRAKES/REAR.....	124	HOSES-RADIATOR.....	22	SPLASH SHIELDS-ENGINE COMPARTMENT.....	72
BELL HOUSING & BOLTS.....	17	DYE INTERIOR.....	95	HUBCAPS.....	9, 117, 132	SPRING-REAR LEAF.....	122
BELT CHART.....	39	ELECTRONIC IGNITION CONVERSION.....	60	IDLER ARM.....	120	SPRINGS-FRONT COILS.....	117
BELTS-ENGINE.....	39	EMBLEM-GLOVE BOX.....	25	IDLER PULLEYS.....	69	STARTER SOLENOID.....	69, 126
BLOWER VENT SYSTEM-COUPÉ/REAR.....	87	EMBLEMS.....	34	IGNITION SHIELDING.....	61	STARTERS & RELATED.....	69
BODY LIFT KIT.....	6	ENGINE ASSEMBLY COMPONENTS-427.....	40, 67	IGNITION SWITCHES, NUTS & LOCKS.....	23, 125	STEERING BOX.....	119
BODY MOUNTING KITS.....	5	ENGINE BLOCKS.....	41	IGNITION SYSTEM.....	58	STEERING COLUMNS & RELATED.....	112
BOOSTERS-POWER BRAKE.....	12	ENGINE MOUNTS.....	40, 66	INSULATION-UNDERBODY BODY.....	129, 130	STEERING DAMPER.....	119
BRAKE BLOCK CLIPS & HOSES.....	7	ENGINE-TUNE UP PARTS.....	64	INTAKE MANIFOLD & RELATED.....	65	STEERING WHEEL.....	114, 115
BRAKE CALIPER KITS.....	8	EVAPORATORS-AC.....	1	INTERIOR KITS/PACKAGES.....	94	STEERING WHEEL HUBS.....	112
BRAKE LINE KITS.....	11	EXHAUST APPLICATION CHART.....	74	J56 BRAKES.....	8	STENCIL KIT-HOOD.....	27, 90
BRAKE LINES.....	11	EXHAUST BEZELS.....	73	JACKS.....	99	STORAGE COMPARTMENT.....	99
BRAKE PEDAL PADS.....	8	EXHAUST HANGER.....	73	KEYS.....	101	STRUT RODS.....	122
BRAKE SYSTEM.....	7	EXHAUST MANIFOLD BOLTS & STUDS-327.....	41	KICK PANELS.....	23, 88, 94	SUN VISORS.....	98
BRAKE UPGRADES & CONVERSIONS.....	9	EXHAUST PANEL HARDWARE.....	6, 80	KNOBS-DASH.....	18, 23, 88	SUSPENSION BUMPERS-FRONT.....	117
BULBS-HEADLIGHT.....	100	EXHAUST PIPES.....	73	KNOCK-OFF WHEELS.....	133	SUSPENSION BUMPERS-REAR.....	124
BUMPERS & BRACES / FRONT.....	14, 15	EXHAUST SHIELDS.....	73	LABELS-SEAT BELTS.....	96	SUSPENSION BUSHINGS.....	122
BUMPERS & BRACES / REAR.....	16	EXHAUST SYSTEMS.....	74	LENSES-DASH CLUSTER.....	84	SUSPENSION KITS-FRONT.....	116
CABLES SPEEDOMETER.....	16	EXPANSION TANK.....	20	LICENSE AREA-FRONT.....	15, 99	SUSPENSION-FRONT.....	116, 134
CABLES-AC.....	1	EXPANSION VALVE-AC.....	1	LICENSE AREA-REAR.....	99	SUSPENSION-REAR.....	120, 127
CABLES-HEATER & VENT.....	87	FAN BELTS.....	39	LIGHTS, LAMPS & LENSES.....	100	SWAY BAR-REAR.....	123
CABLES-HOOD.....	89	FAN BLADE-ENGINE.....	21	LOCKS-DOOR, GLOVE BOX, IGNITION.....	32, 101	SWITCHES-ELECTRICAL.....	124, 129
CABLES-PARKING BRAKE.....	14	FASTNER KITS-INTERIOR.....	94	MASTER CYLINDERS W/O POWER BRAKES.....	11, 12	TACHOMETERS.....	84
CABLES-SEAT BELT RETAINING.....	6, 96	FENDER SEALS.....	72	MIRRORS EXTERIOR.....	101	TAIL LIGHTS.....	101
CABLES-TACHOMETER.....	16	FIBERGLASS.....	75	MIRRORS-INTERIOR.....	102	TAIL PIPE BEZELS.....	73
CABLES-VENT.....	23, 87	FILTER-OIL.....	67	MOTOR MOUNTS.....	40, 66	TEMPERATURE SENDER.....	22, 70, 138, 139
CALIPER REBUILD KITS.....	9	FIREWALL INSULATION.....	93	MOTOR-HEADLIGHTS.....	86	THERMOSTATS & HOUSING.....	22, 66
CALIPERS-BRAKES.....	9	FIREWALL-FIBERGLASS.....	77	MOTOR-HEATER & AC.....	1, 88	TIE ROD ENDS.....	120
CAM-ENGINE / 327.....	40	FITING-AC.....	3	MOTOR-POWER WINDOWS.....	34	TIE STRAP KITS.....	73, 139
CAM-ENGINE / 427.....	40	FITTINGS-INTAKE.....	21, 65, 89	MUFFLERS-EXHAUST.....	73	TIMING CHAIN, COVERS & BOLTS.....	69
CAP-OVERFLOW TANK.....	20	FLASHERS/TURN SIGNALS-4WAY.....	137	NEUTRAL SAFETY SWITCH.....	111, 125, 130	TOOLS.....	4, 22, 126
CAPACITORS-RADIO.....	84, 106, 124	FLOOR MATS.....	93	OIL FILL TUBES & CAPS.....	66	TRAILING ARMS.....	124
CARBURETOR LINKAGE.....	55	FLOOR PLUGS.....	83, 91, 92	OIL GAUGE.....	84	TRANSISTORIZED IGNITION.....	64, 125
CARBURETOR PARTS-AFB.....	44	FLYWHEEL.....	17	OIL PANS.....	67	TRANSMISSION MOUNTS.....	129
CARBURETOR PARTS-HOLLEY 3X2.....	46	FRAME.....	80	OIL SYSTEM 427.....	67	TRANSMISSION-MUNCIE.....	128
CARBURETOR PARTS-HOLLEY 4 BARREL.....	49	FRAME SECTIONS & BRACKETS.....	81	OIL, FILTERS & VALVES.....	67	TRANSMISSION-POWERGLIDE.....	129
CARBURETOR TAGS.....	45	FRENCH LOCKS-EXHAUST.....	41	PADS-BRAKES & CLUTCH.....	8	TRANSMISSION-T-10.....	130
CARBURETOR-CARTER "AFB".....	43	FRENCH LOCKS-HALF SHAFTS.....	121	PAINT PROTECTORS-BUMPERS.....	15	TRANSMISSION-WINDSHIELD WIPERS.....	137
CARBURETOR-CARTER "WCFB".....	43	FRONT CROSSMEMBER.....	80	PAINTS.....	116, 120	U-JOINTS, AXLES & 1/2 SHAFTS.....	121
CARBURETOR-HOLLEY.....	46	FUEL FILTERS & BRACKETS.....	55	PARKING BRAKE SHOES.....	14, 15	VACUUM ADVANCE LINES.....	61
CARBURETOR-KITS.....	56	FUEL GAUGE.....	84	PCV SYSTEM.....	66, 67, 68	VACUUM ADVANCE/DISTRIBUTOR.....	60
CARBURETOR-TRI POWER.....	46	FUEL INJECTION.....	42	POWER STEERING.....	102	VACUUM FITTING-INTAKE.....	66
CARBURETOR, GASKETS.....	44, 56	FUEL LINE HOSES.....	83	POWER STEERING CONVERSION.....	104	VALVE STEM CAPS.....	134
CARPET.....	90	FUEL LINES-PUMP TO CARB.....	57	POWER STEERING PUMP.....	104	VOLTAGE REGULATORS.....	37, 106, 125
CARPET SUPPORTS/WIRE COVERS.....	91, 98, 139	FUEL LINES-TANK TO PUMP.....	83	POWER WINDOW SYSTEM.....	33, 85	WATER PUMP & FITTINGS.....	71, 89
CARTER CARBURETORS.....	43	FUEL PUMPS.....	58	PROPORTIONING VALVE-BRAKE.....	15	WEATHERSTRIP CLIPS.....	131
CENTER/DRAW LINK W/ PS.....	103, 119	FUEL SENDING UNIT IN TANK.....	82	PULLEYS.....	39, 68	WEATHERSTRIPING.....	130
CENTER/DRAW LINK W/O PS.....	119	FUEL TANKS.....	82	QUARTER TRIM PANELS-REAR.....	95	WHEEL BEARING-FRONT.....	8, 117
CHOKE RODS & SPRINGS HOLLEY.....	55	FUSE BLOCKS & RELATED.....	137	RADIATOR.....	19, 22	WHEEL BEARING-REAR.....	123
CHOKE TUBES CARTER AFB/WCFB.....	54	FUSES.....	137	RADIATOR CAPS.....	20, 22	WHEEL CYLINDERS.....	10
CLEAN AIR TUBES.....	54	GAS DOOR.....	81	RADIATOR CORE SUPPORTS.....	19	WHEELS.....	134
CLOCKS.....	16	GAS PEDALS.....	82	RADIATOR OVERFLOW TANKS.....	34	WINDOW CHANNELS.....	31
CLUTCH ASSEMBLY.....	17	GASKETS-BODY.....	83	RADIATOR SEALS.....	21, 72	WINDOW CRANKS.....	93
CLUTCH LINKAGE-ENGINE COMPARTMENT.....	17	GAUGES.....	16, 23, 84	RADIATOR SHROUD.....	21	WINDOW GLASS.....	135
CLUTCH-PEDAL TO FIREWALL.....	17	GEARS-WINDOW REGULATORS.....	34	RADIO ANTENNA.....	3	WINDSHIELD MOLDING & CLIPS.....	138
COILS-DISTRIBUTORS.....	58	GLASS/WINDOWS.....	135	RADIO RELATED.....	105	WING NUT-AIR CLEANER.....	36, 37
COLOR CHARTS-INTERIOR.....	23, 92	GLOVE BOX.....	24, 26	RADIO SIDE PANELS.....	18, 25, 78, 106	WIPER MOTORS.....	137
COMPRESSOR-AC 327.....	2	GLOVE BOX LIGHT.....	25, 125	RAG JOINT COUPLERS.....	112	WIPER SWITCH.....	125, 137
COMPRESSOR-AC 427.....	2	GRILL - VENT/INTERIOR.....	23, 88, 94	REAR END COVERS.....	107	WIRE TIE STRAPS & CLIPS.....	73, 139
CONDENSOR-AC.....	3	GRILLE-FRONT.....	84	REAR END MOUNTING.....	108, 121	WIRING DIAGRAMS.....	140
CONSOLE.....	18	GRILLES-HOOD.....	90	REAR END TAGS.....	28, 107	WIRING HARNESSSES.....	137
CONSOLE-PARKING BRAKE.....	92	GRILLES-VENT/EXTERIOR.....	88	REAR ENDS & RELATED.....	107	YOKES-REAR END.....	109
CONTROL VALVE-POWER STEERING.....	102	GRILLES-WIPER AREA.....	136	REAR STORAGE COMPARTMENT.....	99		
CONVERTIBLE TOP & HARDWARE.....	127	GROMMETS-BODY.....	3, 71	REAR WINDOW - EXTERIOR TRIM.....	135		
		GROSS GEAR-DISTRIBUTOR.....	59	REAR WINDOW - INTERIOR.....	93		
		GROUND STRAPS.....	58, 106, 138, 139	RETAINER-SEAT BELTS.....	96		
		HALF SHAFTS.....	123	RING & PINION.....	109		
		HARD TOP & MOUNT. HARDWARE.....	29, 128				

AIR CONDITIONING

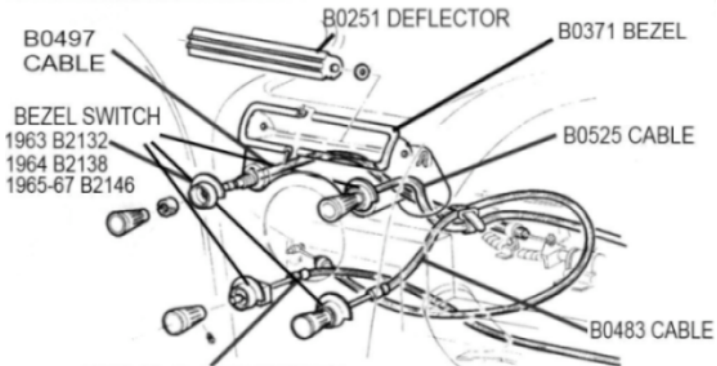
Air Conditioning & Heater Box

- B0308 63-67 BRACKET - heater shut off valve13.75
- B0326 67 CLAMP KIT - POA tube, includes screws1.75



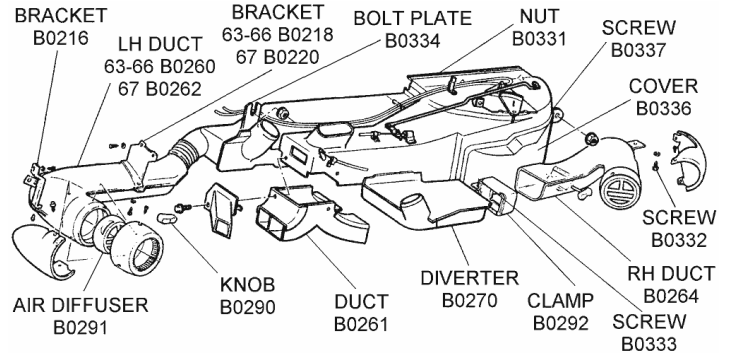
- B0310 63-67 CLIP/RETAINER - heater control valve to bracket4.70
 - B0250 63-65 EVAPORATOR CORE - air conditioning366.40
 - B0252 66 EVAPORATOR CORE - air conditioning333.45
 - B0254 67 EVAPORATOR CORE - air conditioning344.85
 - B5135 63-67 FAN - heater blower motor, plastic, (repl.) .26.25
 - B0352 66-67 FITTING - reciever drier to hose40.35
 - B0364 66-67 FITTING - condenser to hose, thru radiator support, late production40.35
 - B0323 63-67 GASKET - A/C blower motor resistor2.40
 - B0210 63-67 GASKET/SEAL SET - heater box, outer, w/AC, (32 pc.)39.95
 - B0224 63-67 HEATER CORE - w/air conditioning104.95
 - B5558 63-64E HOSE SET - AC vacuum (63 thru April 64)21.25
 - B5559 64L-67 HOSE SET - AC vacuum (May 64 thru 67)29.30
 - B0300 63-65 LINE & FITTING - expansion valve to hose, (90 degree) aluminum25.85
 - B0301 66-67 LINE & FITTING - expansion valve to hose, (straight) aluminum22.00
 - B0247 67 LINE & FITTING - POA valve to AC hose system, aluminum65.95
 - B0306 63-66 LINE & FITTING - throttle suctioning valve to hose, aluminum46.55
 - B5142 63-67 MOTOR - heater blower w/AC39.95
 - B0229 63-67 NUT SET - outer heater box, w/AC, (9 pc.)2.70
 - B0325 63-67 PLATE - heater cover, A/C51.75
 - B0302 63-67 PLATE KIT - AC box mount, w/bolt, nut & rivets8.55
 - B0057 63-66 RESTORATION STV EXPANSION VALVE - your valve must be sent in for reconditioning ...274.95
- NOTE:** This is not an exchange item. We must have your part in advance.
- B0246 67 RESTORATION POA VALVE - your valve must be sent in for service245.00
- NOTE:** This is not an exchange item. We must have your part in advance.
- B0244 63-66 REBUILD KIT - throttle suctioning valve conversion kit, converts/updates valve to electronic system, not visually correct66.75
 - B0322 63-67 RESISTOR - A/C blower motor35.00
 - B5144 63 RESTORATION SERVICE - heater motor blower w/fan59.95
 - B0309 63-67 SCREW - heater shut off valve bracket1.00
 - B0324 63-67 SCREW SET - blower motor relay & resistor, (4 pc.)2.90
 - B5192 63-67 STUD & NUT SET - heater box to firewall kit, w/AC8.65
 - B0282 63-67 SWITCH - AC shut-off on inner heater box electrical17.60
 - B0279 63-67 SWITCH - vacuum, AC/heater, on top of heater box, brass54.00
 - B0321 63-67 TUBE - cooling. A/C blower motor, NOS34.50
 - B0249 63-67 VALVE - heater shut off control w/AC26.00
 - B0248 63-66 VALVE - STV expansion, (repl.)69.95

Air Conditioning Ducts & Cables



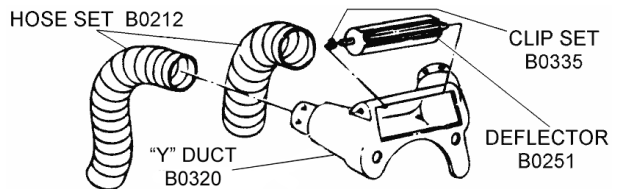
B0533 63-65 CABLE/SWITCH
B0529 66-67 CABLE/SWITCH **63-67 W/AIR CONDITION**

- B0371 63-67 BEZEL - air conditioning duct above clock ...129.95
- B0334 63-67 BOLT PLATE - RH AC duct, w/nut & rivets8.50
- B0484 63-67 BRACKET - cable, all with A/C15.00
- B0216 63-67 BRACKET - duct, LH, (kick panel)35.00
- B0218 63-66 BRACKET - duct, LH, (pedal brace to duct) ...36.20
- B0220 67 BRACKET - duct, LH, (pedal brace to duct) ...44.95
- B0533 63-65 CABLE - A/C blower switch/air inlet169.00
- B0529 66-67 CABLE - A/C blower switch/ air inlet169.00
- B0483 63-67 CABLE - A/C defroster, lower RH knob (repl.)99.00
- B0525 63-67 CABLE - A/C temperature, upper RH knob (repl.)99.00
- B0497 63-67 CABLE - A/C upper LH knob (repl.)99.00
- B0292 63-67 CLAMP W / SCREW- air conditioning air duct, RH31.00
- B0335 63-67 CLIP SET - center dash duct deflector, (2 pc.)1.00
- B0336 63-67 COVER - plenum44.00
- B0251 63-67 DEFLECTOR / CHROME METAL - center air duct above clock78.80
- B0260 63-66 DUCT / AIR CONDITIONING - w/metal chrome air deflector, flap & knob - LH / identical to original275.00
- B0262 67 DUCT / AIR CONDITIONING - w/metal chrome air deflector, flap & knob - LH / identical to original275.00
- B0264 63-67 DUCT / AIR CONDITIONING - w/metal chrome air deflector, flap & knob - RH / identical to original240.00



- B5189 63-67 DUCT - center 'Y' shaped at floor, console .209.48
- B0320 63-67 DUCT - center 'Y', behind clock169.95
- B0346 63-67 DUCT - defroster, upper99.00
- B0639 63-67 DUCT - fresh air / RH inside fender, metal, originalCALL
- B0345 63-67 GRILLE - inside vent fresh air, RH, w/AC95.00
- B0290 63-67 KNOB - air control on duct, (original) (used)24.95
- B0331 63-67 NUT SET - air conditioning heater box, (9 pc.)2.35
- B0333 63-67 SCREW - AC duct clamp1.00
- B0332 63-67 SCREW & WASHER KIT - air conditioning duct installation, (8 pc.)2.65
- B0337 63-67 SCREW SET - plenum cover, (12 pc.)9.45
- B0305 63-67 SEAL SET - AC duct ball, felt, (4 pc.) (does 2 balls)5.65

Air Conditioning Hoses & Related, Engine Compartment & Under Dash



- B0315 63-67 'O' RING SET - A/C system, (12 pc.)6.60
- B0338 63-67 BOLT SET - AC compressor fitting, (3 pc.) ...1.80
- B0311 66-67 BOLT SET - AC hose bracket, 427, (2 pc.)1.00
- B5132 66-67 BRACKET/RETAINER - heater hose on compressor, 42756.10
- B0318 63-67 CAP - A/C fittings, (repl.)1.70
- B0319 63-67 CAP - muffler fittings, brass, hex, original style10.75
- B0317 63-67 CAP - throttle suctioning valve, POA, aluminum, original style7.75
- B0348 64-67 CLAMP KIT - heater hose all w/ac (1 bracket, 2 bolts & 2 nuts) (ea)13.45
- B0214 63-67 CLAMP SET - AC, under-dash hose, (pr)10.15
- B0266 63-67 CLAMP SET - freon hose OEM style, (6 pc.) ...12.45
- B0203 63-67 CONVERSION KIT - convert from R12 to R134A refrigerant in your AC system47.50

Now you can run the new, low cost, and environmentally friendly R134A refrigerant in your classic Corvette. Use the Conversion Kit, B0203. After the conversion, your new, updated system will look as original as before.

B0256 63-67	GROMMET - fire wall, for AC vacuum hose	6.25
B0258 63-67	HOSE SET - AC Freon high pressure, (repl.) (3 pc.)	65.00
B0207 63-67	HOSE SET - AC, w/logo	179.95
B0212 63-67	HOSE SET - air conditioning under-dash, (3 pc.)	24.95
B0211 63-67	INSULATION TAPE - black (1' wide)	6.00
B0255 64-65	MUFFLER & FITTING - '327'	101.35
B0259 66-67	MUFFLER & FITTING - '327'	101.35
B0253 63-64	MUFFLER & FITTING - '327' (12' long)	101.35
B0265 66-67	MUFFLER & FITTING - '427'	101.35
B0314 63	PIPE/TUBE - heater hose, near compressor, 327, w/AC	22.00
B0230 64-66E	PIPE/TUBE - heater hose, near compressor, 327, w/AC, stainless steel	14.45
B5134 63-67	RETAINER - heater hose bracket, RH inner fender, AC or 396/427	13.00
B5130 64-67	RETAINER/CLAMP - heater hose, for 2 hoses, w/o air, (2 req.) (ea)	5.70

Air Conditioning System Kit (Custom Fit)

Adds Air To Non-Air Cars - Features Cold Air Distribution Under Glove Box - Custom Fit. Enjoy the comfort of cool air-conditioning with our custom-fit Air-Conditioning Kit without affecting the value of your Corvette. It fits all 1963-67's and requires no drilling or holes to any sheet metal, brackets or the frame. The kit includes all necessary installation hardware and allows you to mount the Sanyo compressor on either the left or right side of the engine. The unit cools much better than the factory air-conditioning and is serviceable by any air-conditioning service shop.

B0296 63-67	AIR CONDITIONING SYSTEM - factory style, with 327 (specify year)	1,372.40
B0297 65-67	AIR CONDITIONING SYSTEM - factory style, with 396/427 (specify year)	1,325.00

Air Conditioning System Kit (Factory Style)

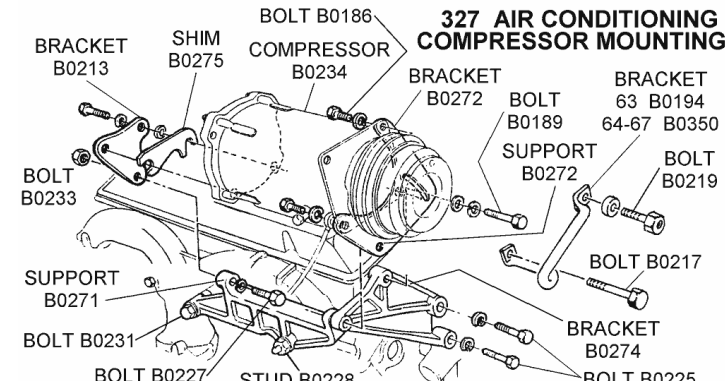
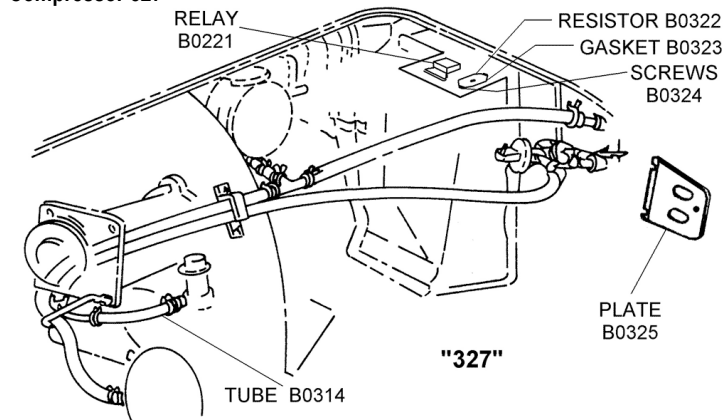
Adds Air To Non-Air Cars - Do-It-Yourself Installation. The comfort of air-conditioning without sacrificing the interior appearance of your 1963-1967 Corvette are two reasons to purchase this unit. Closely resembling the stock air conditioner, this unit features two cool-blowing louvered chrome vents on the access panels on either side of radio, control pod, center duct and all necessary hardware to finish the interior portion of the system. Under the hood parts consist of O.E.M. replacement condenser and drier, along with state of the art Sanyo compressor, brackets, tubing and hoses. There is no need to drill into any of the sheet metal frame work. This kit includes easy to understand, step-by-step instructions and is a perfect weekend project for the automobile do-it-yourselfer.

B0200 63-67	AIR CONDITIONING SYSTEM - factory style, with 327 (specify year)	1,595.00
B0273 65-67	AIR CONDITIONING SYSTEM - factory style, with 396/427 (specify year)	1,495.00

Battery Area & Misc

B0205 63-67	BOLT & NUT KIT - inner fender access cover, all w/AC	20.75
B0347 67	BOLT SET - license plate bracket, 427 w/AC	4.75
B0484 63-67	BRACKET - cable, all with A/C	15.00
B0208 66	BRACKET - license plate, 427 w/AC	54.15
B0742 63-67	COVER - battery access, inner fender, w/nut plates installed, w/AC or 396/427, fiberglass/PM	148.35
B0327 63-64E	FITTING - vacuum line, 'T' shape, plastic, (before May '64)	3.70
B0328 64L-66	FITTING - vacuum line, 'T' shape, plastic, (after April 64)	2.60
B4708 63-67	GROMMET - 4 hole ,hood release cable, oil line, tach in fire wall, w/air,	6.60
B2149 64-67	HOLDER & SHADE - air conditioning indicator bulb sockets, metal (3 req.) (ea)	26.30
B0257 64-67	HOLDER & SHADE SET - AC indicator bulb socket, metal, (3 pc.)	74.50
B0329 63-64E	HOSE SET - A/C vacuum	22.00
B0330 64L-67	HOSE SET - A/C vacuum	15.50
B0221 63-67	RELAY - heater/AC blower, (repl.)	16.95
B2900 63	SEAL - front inner lower fender gasket	8.25
B2939 63-67	SEAL/GASKET - battery cover, w/AC or 396/427	8.00
B2197 63-67	SHIELD/COVER - green, A/C light socket metal holder, (ea)	3.25
B2896 66-67	SHIM - engine mount, 427 w/AC, 'V' shape, mounts between engine block & motor mount to keep carburetor floats level (2 req.) (ea)	10.35

Compressor 327

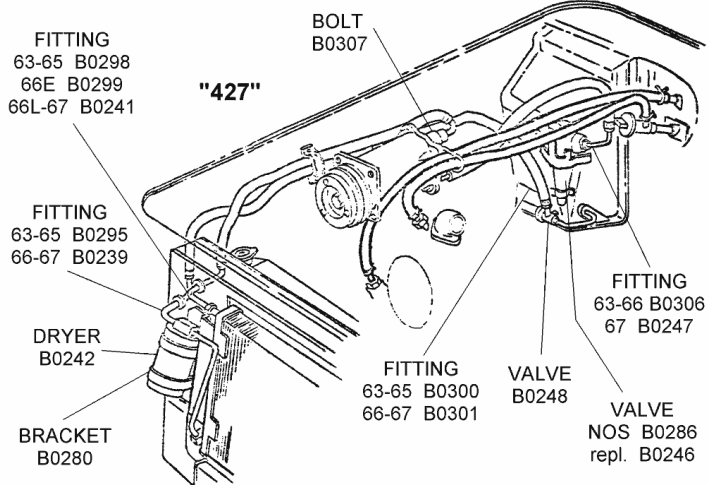


B0237 63-67	BEARING - AC compressor clutch	17.75
B0231 64-67	BOLT - compressor lower bracket, 327	8.80
B0189 64-67	BOLT KIT - compressor brace, 327, incl. lock & flat washers, 'TR' hm	2.85
B0225 64-67	BOLT KIT - compressor bracket front, 327, include. lock washer, 'TR' hm, (4 pc.)	8.80
B0186 64-67	BOLT KIT - compressor mounting, 327,w/lock washers, 'TR' hm (4 pc.)	6.25
B0233 64-67	BOLT KIT - compressor rear bracket, 327, incl. lock & flat washers, (6 pc.)	4.25
B0227 63-67	BOLT KIT - compressor rear bracket, 327, incl. lock nut	2.95
B0217 64-67	BOLT KIT - hose bracket, lower, 327, incl. lock nut, 'TR' hm	4.40
B0219 64-67	BOLT KIT - hose bracket, upper, 327, incl. lock nut & lock washer	1.05
B0274 64-67	BRACKET - AC compressor, 327, front	54.00
B0213 64-67	BRACKET - AC compressor, 327, rear	16.10
B0194 63	BRACKET - heater hose on compressor, 327	12.00
B0350 64-67	BRACKET - heater hose on compressor, 327	20.70
B0234 63-67	COMPRESSOR - AC, w/clutch, w/o switch, Remanufactured (1 year warranty - No core charge)	259.95
A5164 63-67	FITTING - heater hose on intake, 1/2 thread, 5/8 hose, all	7.25
B6828 64-65	PULLEY - air conditioning compressor, 327 / 350-365hp, deep groove cast iron - 6 3/8"	299.95
B0275 64-67	SHIM - rear AC comp. bracket, 327	5.85
B0303 63-67	STAMP KIT - AC compressor, 'OK Final Test'	20.70
B0228 64-67	STUD - compressor lower bracket, 327, incl. lock washer & nut	14.30
B3156 66-67	STUD SET - AC compressor mounting, on exhaust manifold 427, (pr)	8.75
B0271 64-67	SUPPORT - AC compressor, 327, rear	74.50
B0340 63-67	SWITCH - compressor clutch, 3 terminal	31.75

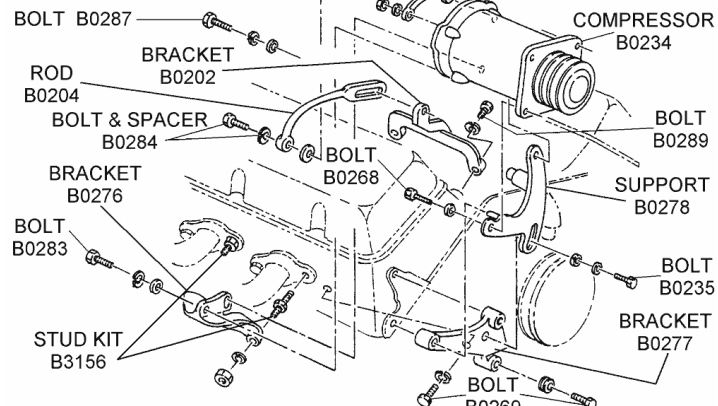
Compressor 427

B0237 63-67	BEARING - AC compressor clutch	17.75
B0294 66-67	BOLT - hose bracket, 427, 'TR' hm	1.00
B0284 66-67	BOLT KIT - AC compressor brace rod, 427, incl. lock washer & spacer	5.90
B0269 66-67	BOLT KIT - AC compressor bracket front, 427, incl. lock washer 'TR' hm	5.15
B0287 66-67	BOLT KIT - AC compressor adjusting rod, 427, 'TR' hm, incl. lock & flat washer	2.25
B0283 66-67	BOLT KIT - AC compressor bracket rear, 427, 'TR' hm, incl. lock & flat washer	2.60
B0268 66-67	BOLT KIT - AC compressor bracket front, 427, 'TR' hm, incl. lock & flat washers, (3 pc.)	13.20
B0235 66-67	BOLT KIT - AC compressor pivot brace, 427, incl. lock & flat washers	1.05





427 AIR CONDITIONING COMPRESSOR MOUNTING



B0289	66-67	BOLT KIT - intake bracket, 427, 'TR' hm, incl. lock washer, (4 pc.)	8.80
B0277	66-67	BRACKET - AC compressor, 427, front	112.00
B0276	66-67	BRACKET - AC compressor, 427, rear	87.45
B0202	66-67	BRACKET - AC compressor, rear mount on intake 427	69.85
B5132	66-67	BRACKET/RETAINER - heater hose on compressor, 427	56.10
B0234	63-67	COMPRESSOR - AC, w/clutch, w/o switch, Remanufactured (1 year warranty - No core charge)	259.95
B0204	66-67	ROD - AC compressor brace, 427	56.00
B0303	63-67	STAMP KIT - AC compressor, 'OK Final Test'	20.70
B3156	66-67	STUD SET - AC compressor mounting, on exhaust manifold 427, (pr)	8.75
B0278	66-67	SUPPORT - AC compressor adjusting, 427, front	43.75

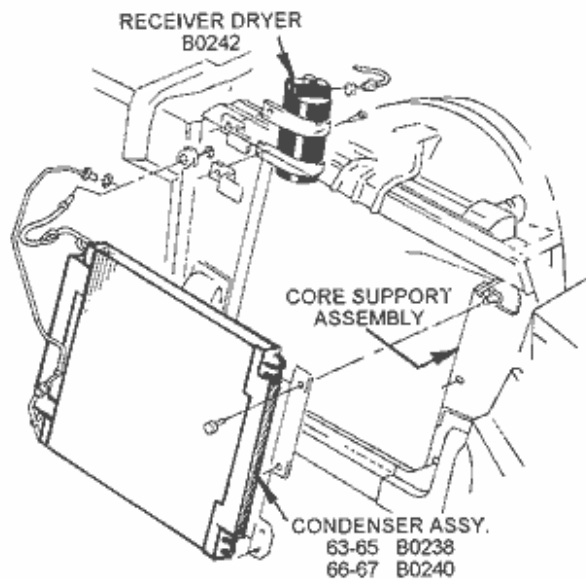
Core Support Area

B0316	66-67	BRACKET - horn, A/C, RH, includes rivets	10.35
B0280	63-67	BRACKET - receiver drier on core support, (2 pc.)	12.45
B0238	63-65	CONDENSER - (reproduction)	299.00
B0240	66-67	CONDENSER - (reproduction)	395.00
B0242	63-67	DRYER/RECEIVER - (repl.)	66.95
B0243	63-67	DRYER/RECEIVER - restored original w/new sight glass & desiccant, exchange	159.95

1963-65



B0312	63-65	GROMMET - A/C fitting through core support, (repl.)	15.50
B0313	66-67	GROMMET - A/C fitting through core support, (repl.)	15.55
B0298	63-65	LINE & FITTING - condenser to AC hose	40.35



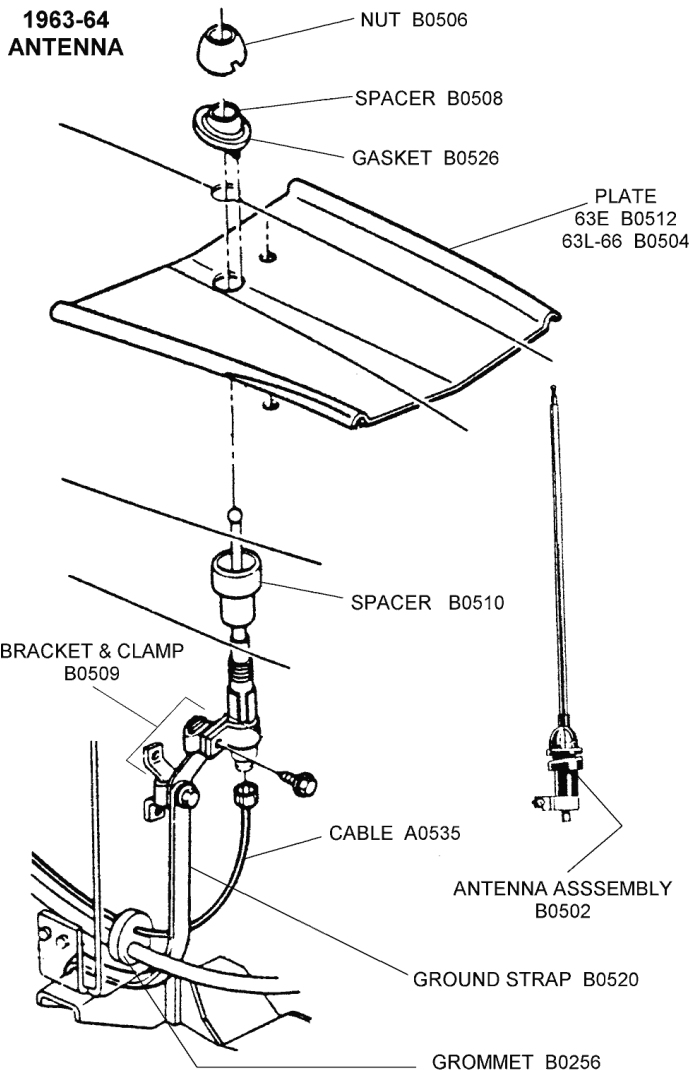
B0299	66E	LINE & FITTING - condenser to AC hose, over radiator support	40.35
B0241	66L-67	LINE & FITTING - condenser to AC hose system, aluminum, through core support	40.35
B0245	63-65	LINE & FITTING - condenser to dryer, aluminum	56.90
B0295	63-65	LINE & FITTING - receiver/drier to AC system hose, aluminum	30.00
B0239	66-67	LINE & FITTING - receiver/drier to AC hose system, aluminum	40.35
B5035	63-67	PAINT - AC condenser, black, improves cooling efficiency	14.65
B0281	63-67	SCREW SET - receiver drier brackets to core support, (pr)	1.25

ANTENNA & RELATED

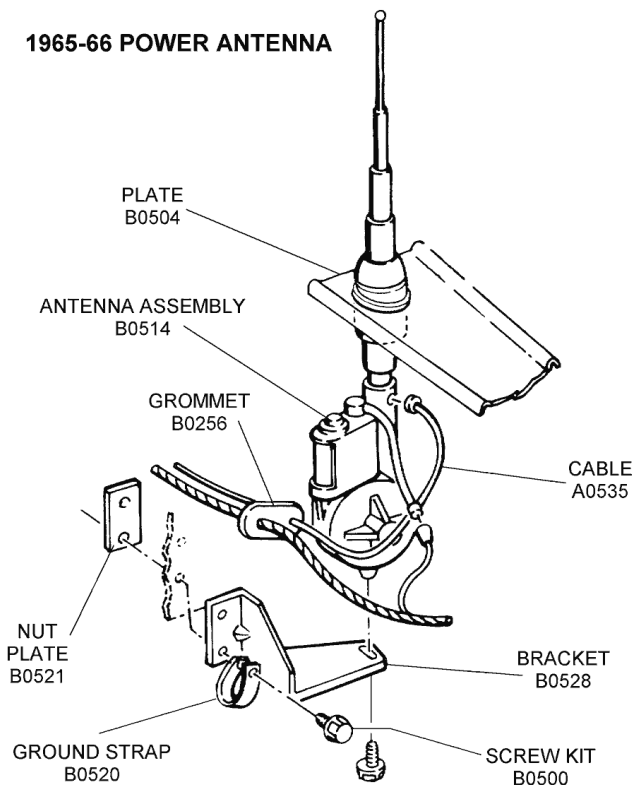
B0502	63-64	ANTENNA ASSEMBLY - complete (w/o cable or ground mount plate) (also replacement for 1965-66 power antenna)	54.95
-------	-------	--	-------

NOTE: Antenna B0502 can be used as a replacement for the 1965-66 power antenna.

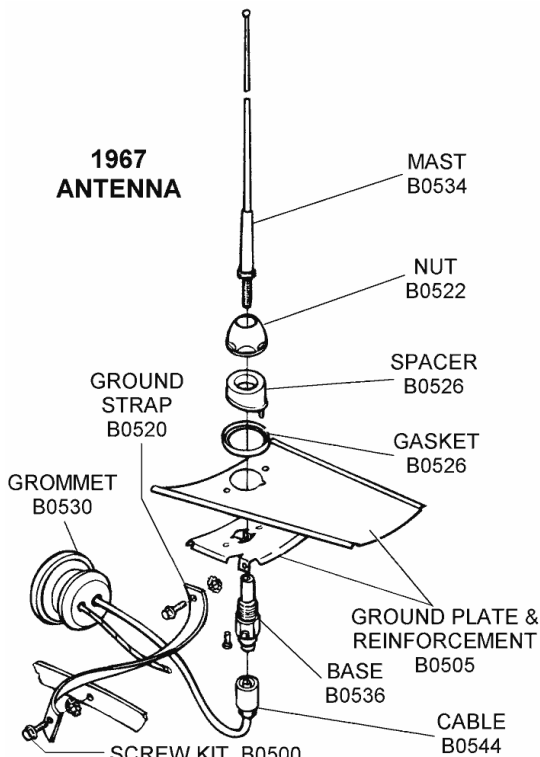
B0633	65-66	ANTENNA ASSEMBLY - power, restored, original	995.00
B0514	65-66	ANTENNA ASSEMBLY - power, w/hardware, concourse version / reproduction	229.00
B0532	67	ANTENNA ASSEMBLY - complete, (w/o cable)	49.00
B0518	65-66	ANTENNA ASSEMBLY RESTORATION SERVICE - original power antenna, (exch.)	595.00
B0523	63-66	ANTENNA CABLE - (w/correct serrated nut)	27.95
B0544	67	ANTENNA CABLE - antenna to radio, 160'	36.95
B0519	67	BODY/BASE - antenna	24.95
B0530	65-66	BOLT & LOCK WASHER KIT - power antenna bracket	3.20
B0528	65-66	BRACKET - power antenna mount	18.00
B0509	63-64	BRACKET & CLAMP KIT - lower antenna	16.35
B0077	63-67	CLIP SET - antenna cable/underdash	3.75
B0526	63-67	GASKET - antenna mount (w/o power antenna)	2.25
B0256	63-67	GROMMET - rear antenna cable	6.25
B0520	63-67	GROUND STRAP - antenna	5.00
B0511	63-66	MAST & BODY - antenna	31.05
B0534	67	MAST - antenna	15.00
B0546	65-67	MOUNTING KIT - antenna, (chrome nut, bezel & gasket)	13.00
B0506	63-64	NUT - antenna	7.75
B0522	65-67	NUT - antenna	7.95
B0521	65-66	NUT PLATE - power antenna bracket	9.95
B0512	63E	PLATE - antenna ground mount	11.35
B0504	63L-66	PLATE - antenna ground mount	26.35
B0505	67	PLATE - antenna ground mount	26.35
B0599	63-67	SCREW & LOCK WASHER KIT - antenna ground strap	1.60
B0577	63-64	SCREW & LOCK WASHER KIT - lower antenna mount	2.35
B0537	65-66	SCREW & NUT SET - power antenna switch, (4 pc.)	2.25
B0500	65-66	SCREW SET - power antenna mount bracket, (6 pc.)	3.05



1965-66 POWER ANTENNA



- C0554 63-67 SPACER - antenna w/o power antenna8.40
- B0510 63-66 SPACER - under-body antenna mount / NOS/NEW
- 'WARD' INSIGNIA - NOT REPRO10.00



- B0524 65-66 SWITCH & CHROME BEZEL - power antenna, w/harness79.95
- B0501 63-64 WRENCH - antenna spanner nut8.10

BATTERY & RELATED

Batteries

Batteries are drop-shipped from the factory. Prepaid with credit card orders only, NO COD's for correctly dated units. Please order A0767 and specify date required, serial number or build date of Corvette.

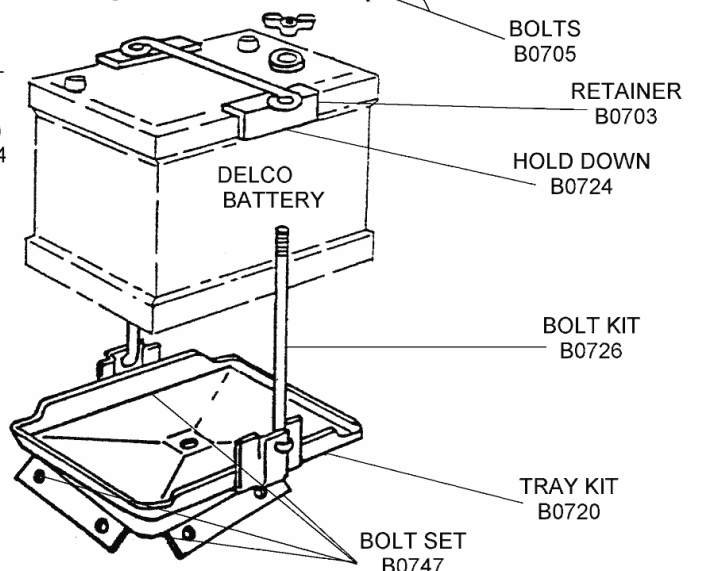
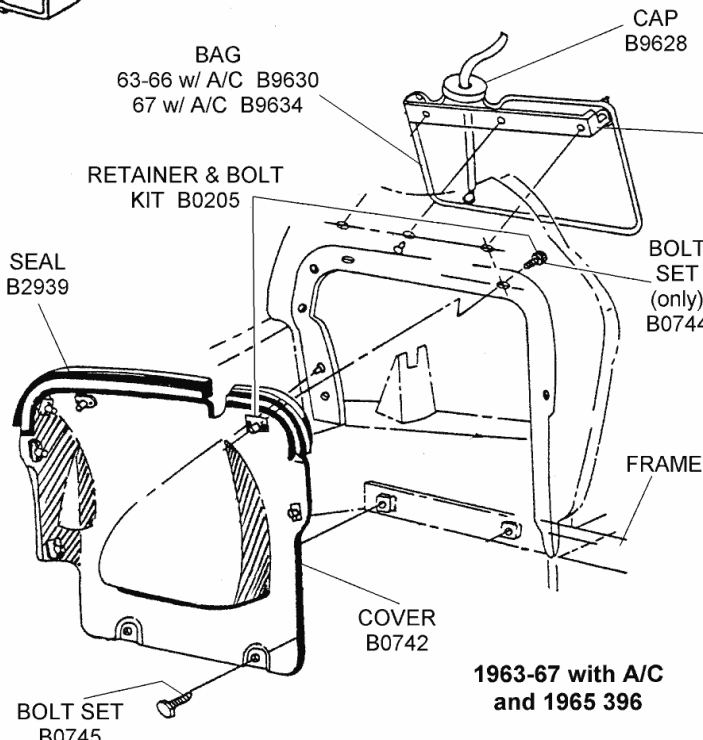
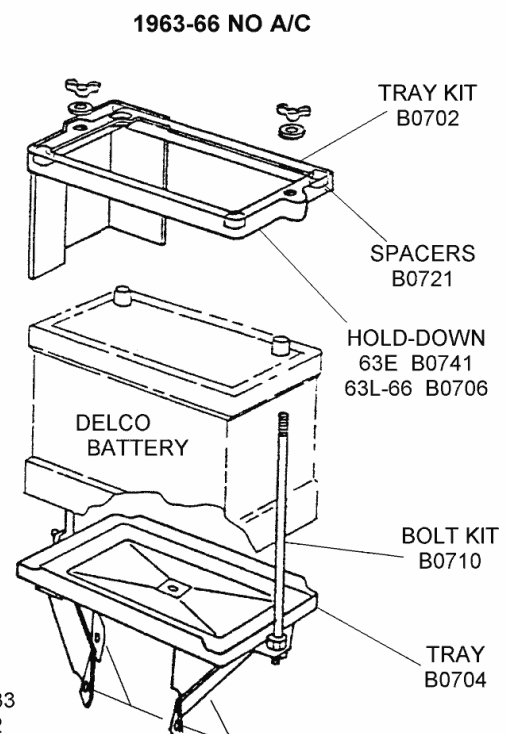
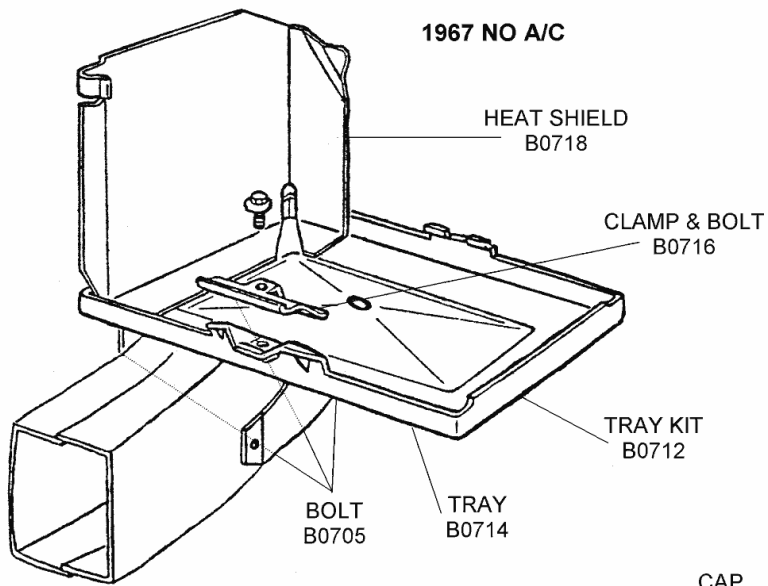
- B0750 63-65 BATTERY - Delco tar top, sealed maintenance free289.00
 - B0751 66 BATTERY - Delco tar top, 1980506 DC-12, sealed maintenance free289.00
 - B0753 67 BATTERY - Delco, R59 Energizer, sealed maintenance free289.00
 - A0790 63-67 BATTERY MAT - prevents corrosion of battery tray7.25
 - A0767 63-67 DATING SERVICE - all batteries25.00
- NOTE:** All batteries were dated from the factory with year/month/location. Example: 3CV means 1963, March, Olath, Kansas (3=1963, C=March, V=Olath, Kansas)
- A0700 53-82 SWITCH - battery disconnect, top post style battery13.25

Battery Cables - Spring Ring

- B0754 63 CABLE SET - battery, 327 w/air conditioning, (pr)78.00
- B0734 64-65 CABLE SET - battery, 327 w/air conditioning, (pr)78.00
- B0736 66-67 CABLE SET - battery, 327 427 w/ air conditioning, (pr)78.00
- B0730 63-65 CABLE SET - battery, 327 w/o air conditioning, (pr)78.00
- B0738 66-67 CABLE SET - battery, 327 w/o air conditioning, (pr)78.00
- B0740 66-67 CABLE SET - battery, 427 w/o AC, (pr)78.00
- A8313 63-67 PLIERS - spring-ring battery cable removal .42.45
- A8319 63-67 PULLER - battery cable end, standard3.95

Battery Tray & Related

- B0731 67 BOLT - battery hold down1.75
 - B0205 63-67 BOLT & NUT KIT - inner fender access cover, all w/AC, or 65 396, w/rivets20.75
- NOTE:** B0205 does not include lower bolts to fasten cover to battery tray, use B0745.
- B0710 63-66 BOLT KIT - 'J' type, battery, w/wing nuts, w/o AC, bolt7.50
 - B0745 63-67 BOLT KIT - access cover, lower fastening to battery tray, w/AC or 65 396, (2 pc.)2.50
 - B0726 63-67 BOLT KIT - battery, AC or '65 396, (w/correct wing nuts & 2 'J' bolts)7.60



B0705	63-67	BOLT KIT - battery box mounting, w/washer, (8 pc.)	5.00
B0746	63-67	BOLT SET - battery tray to frame, w/ac or 396, (6 pc.)	10.30
B0716	67	CLAMP - battery hold down, w/o AC, incl. bolt & washer	5.00
B0742	63-67	COVER - battery access, inner fender, w/nut plates installed, w/ AC and/or 396/427	148.35
A0713	63-67	FELT SET - battery terminals, corrosion inhibitor, (pr)	2.75
B0703	63-67	HOLD-DOWN - battery, AC or 396, exact reproduction	18.65
B0741	63E	HOLD-DOWN - battery, w/shield, w/o AC, (before 2/22/63) (has notch & no hole for battery tie strap)	27.50
B0706	63L-66	HOLD-DOWN - battery, w/shield, w/o AC, (2/22/63 and after)	28.00
A0705	63-66	HOLD-DOWN KIT - battery, w/o shield	15.55
B2939	63-67	SEAL/GASKET - battery cover, w/AC or 396/427	8.00
B0718	67	SHIELD - battery heat, w/o AC	19.65
B0721	63-65	SPACER SET - battery hold-down, 63-65 w/o AC, (4 pc.)	4.00
A0721	63-65	SPACER SET - battery hold-down, w/o AC, (4 pc.)	4.80
B0701	63-66	STRAP/CLAMP - battery cable to heat shield	2.25
B0722	63-67	TRAY - battery, LH, AC or '65 396	39.95
B0704	63-65	TRAY - battery, RH, w/o AC	40.35
B0717	66	TRAY - battery, RH, w/o AC	39.95
B0714	67	TRAY - battery, RH, w/o AC	40.35

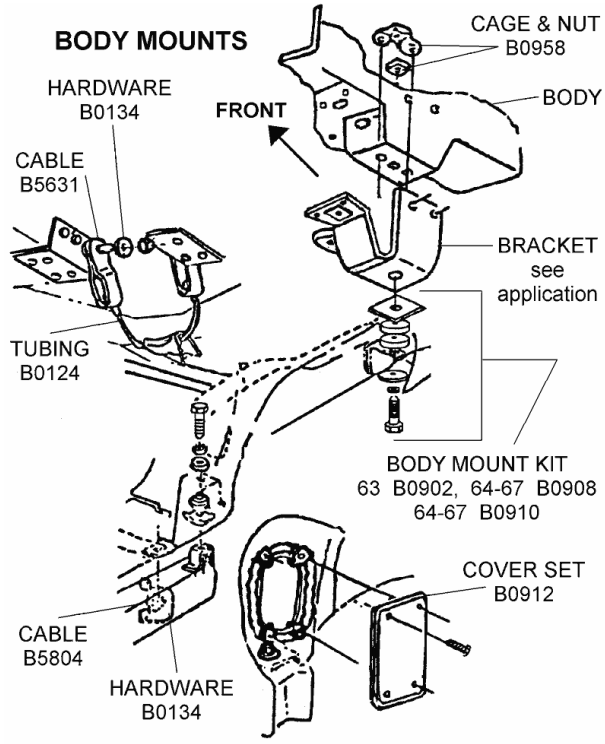
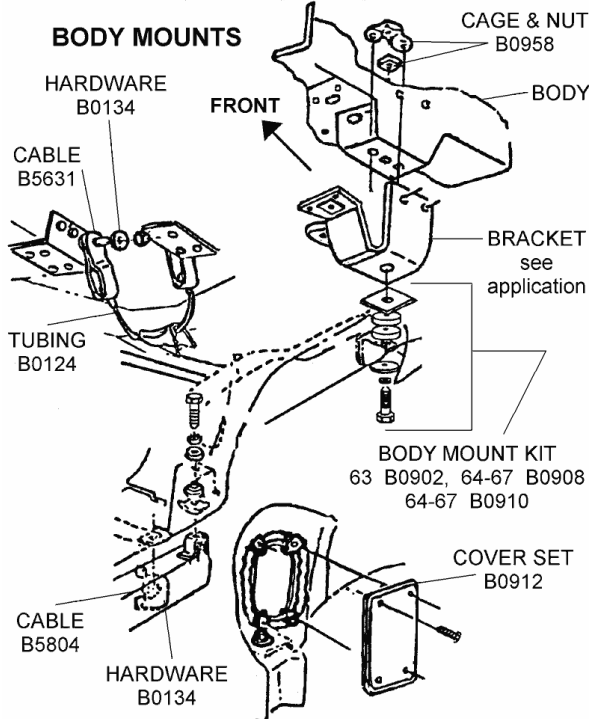
B0720	63-67	TRAY KIT - battery, LH, AC or '65 396, (tray, hold-down & bolt kit)	59.95
B0702	63-65	TRAY KIT - battery, RH, w/o AC, (tray, hold down & bolt kit)	72.45
B0715	66	TRAY KIT - battery, RH, w/o AC, (tray, hold down & bolt kit)	64.95
B0712	67	TRAY KIT - battery, RH, w/o AC, (tray, clamp, heat shield)	61.50
B0743	63-67	WELL NUT - battery access cover, inner fender, all w/AC or 396/427, (6 req.) (ea)	1.15

BODY MOUNTING & UNDERBODY COMPONENTS

Body Mounting Kits			
B0909	63	BLOCK SET - body mount, rectangular rubber, (pr)	10.35
B0902	63	BODY MOUNT KIT - coupe or convertible	84.95
B0906	64	BODY MOUNT KIT - convertible	84.95
B0904	64	BODY MOUNT KIT - coupe	84.95
B0957	64L	BODY MOUNT KIT - add on	16.95
B0910	65-67	BODY MOUNT KIT - convertible	84.95
B0908	65-67	BODY MOUNT KIT - coupe	84.95
B0890	63-67	CUSHION SET - body mount, w/washers polyurethane	74.95
B0878	63-67	SHIM - body mount, square/metal, (ea)	2.00

- B0979 63-67 SHIM - body mounting, 'U' shape1.60
- B0879 63-67 SPACER SET - body mount/ aluminum, (pr)10.35

Body Reinforcement - Body Mounting on Body & Other



- B0950 63 BRACKET - body mount #2, on frame, behind door46.75
- B0944 63 BRACKET - body mount #4 on frame29.00
- B2931 64-67 BRACKET- body mount #1, RH on frame36.05
- B0911 64-67 BRACKET - body mount on frame, at rear #4 ...43.45
- B0941 63-64 BRACKET - body mount reinforcement, LH30.00
- B0943 65-67 BRACKET - body mount reinforcement, LH, #4 .25.00
- B0997 64 BRACKET - body mount reinforcement, convertible, LH, #426.50
- B0939 64-67 BRACKET - body mount reinforcement, coupe, LH, #430.00
- B0933 63 BRACKET - body mount reinforcement, on body, LH30.00
- B0996 63 BRACKET - body mount reinforcement, on body, RH26.50
- B0937 65-67 BRACKET - body mount reinforcement, on body, rear convertible w/welded nut, RH, #4 .25.85
- B0935 64-67 BRACKET - body mount reinforcement, rear coupe, RH, #425.00
- B0999 64 BRACKET - body mount reinforcement, RH, #4, convertible26.50
- B0956 63-67 CAGE & NUT - for body mount #412.45
- G2600 63-67 CAULK - rear wheel body mount access cover, strip type6.45
- B0912 63-67 COVER SET - rear body mount access, in front of rear wheel inner Fender w/screws, (pr)16.95
- B0801 63-67 NUT - body mount, (square)5.90
- B0907 63-67 NUT PLATE & RIVET SET - rear valance panel .24.55
- B0948 67 NUT PLATE - seat mounting, rear, underbody (4 req.) (ea)9.60
- B0955 63 REINFORCEMENT - seat mounting, front, underbody, (ea)30.00
- B0959 64-66 REINFORCEMENT - seat mounting, front, underbody, (ea)26.35
- B0947 67 REINFORCEMENT - seat mounting, front, underbody, (ea)26.35
- B0928 63-67 REINFORCEMENT HEADER BAR - (in front of hood) steel w/fiberglass riveted on186.05
- B0926 63-67 REINFORCEMENT HEADER BAR - (in front of hood) steel w/o fiberglass100.90
- B0931 63-67 RIVET SET - rear valance, (25 pc.)5.95
- B0949 63-67 SCREW SET - rear body mount access covers by rear wheel, (8 pc.)3.50

- B5806 65-67 HARDWARE KIT - seat belt cables3.65
- B0991 63-66 NUT PLATE - seat mounting, rear underbody, (4 req.) (ea)8.30
- B0948 67 NUT PLATE - seat mounting, rear, underbody (4 req.) (ea)9.60
- B0900 63-66 REINFORCEMENT - seat hold-down under carpet, (4 req.)5.00
- B0955 63 REINFORCEMENT - seat mounting, front, underbody, (ea)30.00
- B0959 64-66 REINFORCEMENT - seat mounting, front, underbody, (ea)26.35
- B0947 67 REINFORCEMENT - seat mounting, front, underbody, (ea)26.35
- B0961 63 REINFORCEMENT - seat belt underbody, w/weld nut outside, LH21.35
- B0960 63 REINFORCEMENT - seat belt underbody, w/weld nut outside, RH21.35
- B0965 63-64 REINFORCEMENT - seat belt underbody, w/weld nut, 1963-64 inside LH, 1964 outside RH33.35
- B0964 63-64 REINFORCEMENT - seat belt underbody, w/weld nut, 1963-64 inside RH, 1964 outside LH33.35
- B1388 65-67 REINFORCEMENT - seat belt underbody, outer LH33.35
- B1389 65-67 REINFORCEMENT - seat belt underbody, outer RH33.35
- B0969 65-67 REINFORCEMENT - seat belt underbody, w/weld nut, inside LH22.10
- B0968 65-67 REINFORCEMENT - seat belt underbody, w/weld nut, inside RH22.10
- B1390 63 REINFORCEMENT SET - seat belt underbody, (4 pc.)65.00
- B1391 64 REINFORCEMENT SET - seat belt underbody, (4 pc.)64.95
- B1392 65-67 REINFORCEMENT SET - seat belt underbody, (4 pc.)64.95

Body Reinforcement - Seat and Seat Belts on Body

- B5631 65-67 CABLE - seat belt, center, inner, (included in B5779)31.05
- B5804 65-67 CABLE - seat belt, outer included in B5779, (2 req.) (ea)36.25
- B5779 65-67 CABLE SET - seat belt w/hardware, bracket to frame, (3 pc.)96.95
- B5807 66-67 CABLE SET - shoulder harnesses100.00

Body Reinforcement Rivets

- A0909 63-67 RIVET SET - 9/16' round flat head countersunk, alum. (25 pc.)5.95
- A0911 63-67 RIVET SET - 9/16' round head, (universal) (25 pc.)5.95
- B0940 63-67 RIVET SET - large flat head, 5/8' long, (100 pc.)9.00
- B0934 63-67 RIVET SET - large flat head, 7/16' long, (50 pc.)5.20
- B0936 63-67 RIVET SET - large flat head, 7/16' long, (100 pc.)8.75
- B0932 63-67 RIVET SET - small flat head, rear valance panel reinforcement plate (100 pc.)8.60
- B0930 63-67 RIVET SET - small flat head, rear valance panel reinforcement plate (50 pc.)5.95
- B0938 63-67 RIVET SET - soft aluminum, large flat head, 5/8' long, (50 pc.)6.05

Miscellaneous

- B0942 63-67 BODY LIFT KIT79.95

B5150 63-67 STUD PLATE - heater box, parking brake cable, battery cable, splash shields & horn relay14.70

BOOKS, MANUALS & SALES BROCHURES

Assembly Manuals

L0090 63 MANUAL - Corvette assembly29.35
 L0091 64 MANUAL - Corvette assembly19.95
 L0092 65 MANUAL - Corvette assembly19.95
 L0093 66 MANUAL - Corvette assembly19.95
 L0094 67 MANUAL - Corvette assembly19.95

Judging Manuals

L0304 63-64 MANUAL - NCRS Corvette judging, 2nd edition, 165 pages64.95
 L0305 65 MANUAL - NCRS Corvette judging, 2nd edition, 160 pages42.95
 L0306 66 MANUAL - NCRS Corvette judging, 2nd edition, 150 pages64.95
 L0307 67 MANUAL - NCRS Corvette judging, 2nd edition, 156 pages42.95

Owner's Manuals

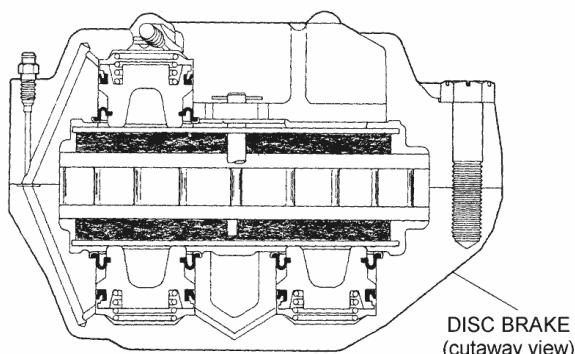
L0009 63 MANUAL - Corvette owner's9.25
 L0010 64 MANUAL - Corvette owner's9.25
 L0011 65 MANUAL - Corvette owner's9.25
 L0012 66 MANUAL - Corvette owner's9.25
 L0013 67 MANUAL - Corvette owner's9.25

Sales Brochures

L0263 63 SALES BROCHURE - Corvette9.95
 L0264 64 SALES BROCHURE - Corvette9.95
 L0265 65 SALES BROCHURE - Corvette9.95
 L0266 66 SALES BROCHURE - Corvette9.95
 L0267 67 SALES BROCHURE - Corvette9.95

BRAKE SYSTEM

Blocks, Hoses & Related



B1180 63-65 BLOCK - left front, all 63/64 and 1965 w/o P.B.34.00
 B1188 63-65 BLOCK - left rear w/ 3/16" lines, w/o P.B.43.15
 B1182 65 BLOCK - left front, power brake 3/16" line.34.00
 B1184 65-66 BLOCK - left front standard brake line, 1/4"34.00
 B1186 66-67 BLOCK - left front, 65 w/P.B. & 1/4" line, 66 w/P.B., 67 all33.80
 B1190 66-67 BLOCK - rear brake line, LH w/1/4" line17.25
 B1191 63-67 BLOCK - rear brake line, RH w/3/16" line17.25
 A1136 63-67 CLIP - brake hose, 'U' shape, (4 req.) (ea) ...1.45
 B1194 63-67 HOSE - front brakes, rubber, (2 req.) (ea) ...14.25
 B1195 63-67 HOSE - rear brakes, rubber, (2 req.) (ea) ...12.65
 B1307 63-67 HOSE SET - brake, front/rear, (4 pc.)49.95
 B1198 63-67 HOSE SET - brake, stainless steel braided, front & rear, (4 pc.)87.95
 B1196 63-67 WASHER - brake hose, copper, (4 req.) (ea) ...1.50

Brake Kits: 63-65 - With Master Cylinders, Shoes, Drums, Hoses & More

1963-64 DRUM BRAKE SYSTEM KITS				
B1080	63-64	STANDARD BRAKE KIT		
B1081	63-64	"PLUS" BRAKE KIT		
B1082	63-64	"SUPER" BRAKE KIT		
A1024		BRAKE FLUID - quart, DOT 3	2	2 2
A1031		COVER SET - brake shoe adjuster hole (4pc)	1	1 1
B1029		DRUM - brake, front	2	
A1027		DRUM - brake, rear	2	
B1094		HARDWARE KIT (shoe hold-down) - LH	2	2 2
B1095		HARDWARE KIT (shoe hold-down) - RH	2	2 2
B1194		HOSE - brake, front	2	2 2
B1195		HOSE - brake, rear	2	2 2
B1138		LINE - rear hose to wheel cylinder, LH	1	1 1
B1136		LINE - rear hose to wheel cylinder, RH	1	1 1
B1001		MASTER CYLINDER - with or without P.B.	1	1
B1030		SHOE SET - front	1	1 1
A1033		SHOE SET - rear	1	1 1
A1029		SPRING - around brake drum	4	
A1136		"U" CLIP - brake hose	4	4 4
B1015		WHEEL CYLINDER - LH front	1	1 1
B1016		WHEEL CYLINDER - RH front	1	1 1
A1023		WHEEL CYLINDER - LH rear	1	1 1
A1021		WHEEL CYLINDER - RH rear	1	1 1

B1080 63-65 DRUM BRAKE KIT - STANDARD VERSION / SEE CHART FOR DETAILS354.75
 B1081 63-65 DRUM BRAKE KIT - PLUS VERSION / SEE CHART FOR DETAILS434.70
 B1082 63-65 DRUM BRAKE KIT - SUPER VERSION / SEE CHART FOR DETAILS728.90

Brake Kits: 65-67 - Calipers, Master Cylinders, Hoses, Lines & More

1965-67 CORVETTE BRAKE SYSTEM "Standard" KITS				
B1269	65-66	BRAKE KIT - w/o power brakes		
B1270	65E	BRAKE KIT - w/ power brakes w/ 3/16" line		
B1271	65L-66	BRAKE KIT - w/ power brakes w/ 1/4" line		
B1272	67	BRAKE KIT - w/o power brakes		
B1273	67	BRAKE KIT - w/ power brakes		
B1086	65E	ADAPTER FITTING KIT - 3/16" line to MC		1
B1087	65L-66	ADAPTER FITTING KIT - 1/4" line to MC		1
B1052	65-67	CALIPER - LH front	1	1 1 1 1 1
B1053	65-67	CALIPER - RH front	1	1 1 1 1 1
B1054	65-67	CALIPER - LH rear	1	1 1 1 1 1
B1055	65-67	CALIPER - RH rear	1	1 1 1 1 1
B1051	65-67	PAD SET - axle (4 pc.)	2	2 2 2 2 2
B1002	65-66	MASTER CYLINDER - w/o P.B. (OEM)		1
B1165	67	MASTER CYLINDER - w/o P.B. (repl.)	1	
B1163	65-67	MASTER CYLINDER - w/ P.B. (repl.)	1	1 1

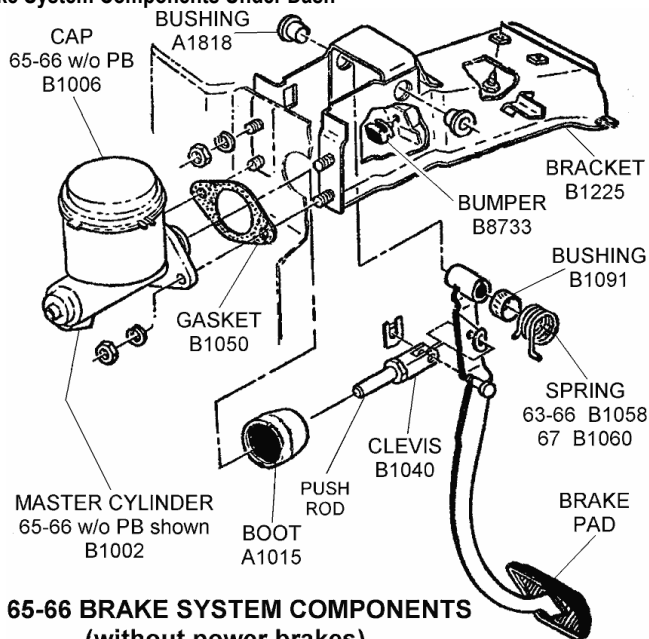
1965-67 CORVETTE BRAKE SYSTEM "Pro" KITS						
B1274	65-66	BRAKE KIT - w/o power brakes				
B1275	65E	BRAKE KIT - w/ power brakes w/ 3/16" line				
B1276	65L-66	BRAKE KIT - w/ power brakes w/ 1/4" line				
B1277	67	BRAKE KIT - w/o power brakes				
B1278	67	BRAKE KIT - w/ power brakes				
B1096	65E	ADAPTER FITTING KIT - 3/16" line to MC				1
B1087	65L-66	ADAPTER FITTING KIT - 1/4" line to MC				1
A1025	65-67	BRAKE FLUID - silicone (quart)	2	2	2	2
B1052	65-67	CALIPER - LH front	1	1	1	1
B1053	65-67	CALIPER - RH front	1	1	1	1
B1054	65-67	CALIPER - LH rear	1	1	1	1
B1055	65-67	CALIPER - RH rear	1	1	1	1
B1195	65-67	HOSE - brake, front	2	2	2	2
B1195	65-67	HOSE - brake, rear	2	2	2	2
B1119	65-67	LINE - rear caliper, LH (stainless steel)	1	1	1	1
B1113	65-67	LINE - rear caliper, RH (stainless steel)	1	1	1	1
B1002	65-66	MASTER CYLINDER - w/o P.B. (OEM)				1
B1165	67	MASTER CYLINDER - w/o P.B. (repl.)		1		
B1163	65-67	MASTER CYLINDER - w/ P.B. (repl.)	1		1	1
B1051	65-67	PAD SET - axle (4 pc.)	2	2	2	2
A1136	65-67	"U" CLIP - brake hose	4	4	4	4
B1196	65-67	WASHER - brake hose	2	2	2	2

B1274	65-66	BRAKE KIT / PRO SERIES - W/O power brakes - SEE TABLE FOR CONTENTS	439.95
B1277	67	BRAKE KIT / PRO SERIES - W/O power brakes - SEE TABLE FOR CONTENTS	439.95
B1275	65E	BRAKE KIT / PRO SERIES - w/ power brakes - SEE TABLE FOR CONTENTS	439.95
B1276	65L-66	BRAKE KIT / PRO SERIES - w / power brakes - SEE TABLE FOR CONTENTS	439.95
B1278	67	BRAKE KIT / PRO SERIES - w/ power brakes - SEE TABLE FOR CONTENTS	439.95
B1269	65-66	BRAKE KIT / STANDARD SERIES - W/O power brakes - SEE TABLE FOR CONTENTS	374.95
B1272	67	BRAKE KIT / STANDARD SERIES - W/O power brakes - SEE TABLE FOR CONTENTS	349.95
B1270	65E	BRAKE KIT / STANDARD SERIES - W/ power brakes - SEE TABLE FOR CONTENTS	344.95
B1271	65L-66	BRAKE KIT / STANDARD SERIES - W/ power brakes - SEE TABLE FOR CONTENTS	344.95
B1273	67	BRAKE KIT / STANDARD SERIES - W/ power brakes - SEE TABLE FOR CONTENTS	349.95

Brake System Components J56

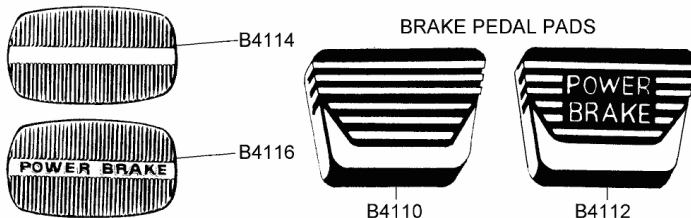
B1263	66	BRACKET - J56 proportioning valve	75.00
B1265	67	BRACKET - J56 proportioning valve	51.75
B1221	66-67	PAD SET - front, metallic, dual pin J56, (4 pc.)	120.00
B1223	66-67	PIN SET - J56 front pads w/2 pin holes, (4 pc.)	20.50
B0634	66-67	PROPORTIONING VALVE - J56, restored	CALL
B1268	66-67	SUPPORT SET - calipers, J56	175.00

Brake System Components Under Dash



65-66 BRAKE SYSTEM COMPONENTS (without power brakes)

B1225	63-67	BRACKET - brake or clutch pedal, reconditioned	345.00
B8733	63-67	BUMPER - brake & clutch pedal	4.00
A1818	63-67	BUSHING - brake pedal and clutch pivot, (ea)	3.65
B1091	63-67	BUSHING - brake pedal spring	1.45
B7121	63	CAPACITOR - on parking brake or brake light switch, (2 req.) (ea)	29.35
A1014	63-67	NUT SET - brake light switch, (pr)	2.50



B4114	63-67	PAD - brake pedal, auto, w/o P.B.	6.05
B4116	63-67	PAD - brake pedal, auto, w/P.B.	6.50
B4112	63-67	PAD - brake pedal, power brake	5.95
B4110	63-67	PAD - brake pedal, standard, w/o power brakes	5.50
B1245	67	PEDAL ASSEMBLY - brake, w/automatic trans.	85.00
B1239	63-66	PEDAL ASSEMBLY - brake, w/manual trans.	85.00
B1243	67	PEDAL ASSEMBLY - brake, w/manual trans.	85.00
B8797	63-67	RETAINER - brake/clutch pedal shaft, (ea)	4.00
B1058	63-66	SPRING - brake pedal return	6.45
B1060	67	SPRING - brake pedal return	6.45

Calipers - Stainless Steel Sleeved, Rotors & Related

B1049	65-67	ANTI-SQUEAK KIT - brake pads, consists of inserts that clamp onto the outer edge of each pad. (2 per pad), stabilizes the pad so it won't vibrate, kit will do 1 Corvette, (8 pc.)	14.95
S8046	63-67	BEARING KIT - front wheel, includes 1 each, inner & outer bearing w/races & inner seal	27.95
S8048	63-67	BEARING w/RACE - front inner	11.85
S8050	63-67	BEARING w/RACE - front outer	12.50
S8041	65-67	BOLT SET - front caliper mounting, 'double circle' headmark, (4 pc.)	6.95
S8043	65-67	BOLT SET - rear caliper mounting, 'double circle' headmark, (4 pc.)	5.25
B1098	65-67	BRACKET - caliper mounting, front, LH, (recond.) (original)	44.95
B1099	65-67	BRACKET - caliper mounting, front, RH, (recond.) (original)	44.95
B1301	65-67	BRAKE QUIET - disc brake, Permatex, aerosol can	5.25
B1052	65-67	CALIPER - front brake, LH, STAINLESS STEEL SLEEVED WITH ORIGINAL DESIGN LIP SEAL, w/exchange	89.95
B1053	65-67	CALIPER - front brake, RH, STAINLESS STEEL SLEEVED WITH ORIGINAL DESIGN LIP SEAL, w/exchange	89.95



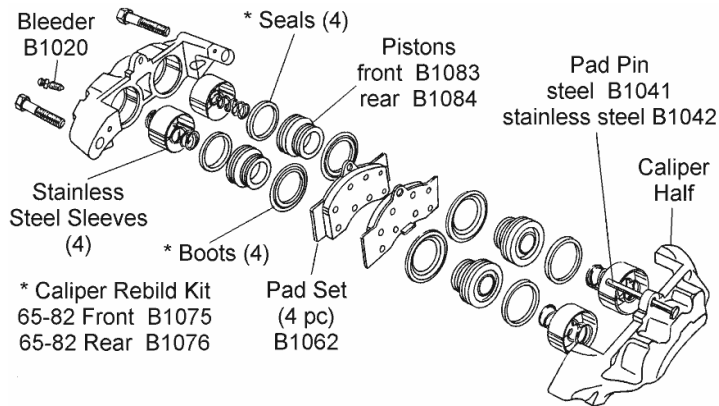
- B1054 65-67 CALIPER - rear brake, LH, STAINLESS STEEL SLEEVED WITH ORIGINAL DESIGN LIP SEAL, w/exchange89.95
- B1055 65-67 CALIPER - rear brake, RH, STAINLESS STEEL SLEEVED WITH ORIGINAL DESIGN LIP SEAL, w/exchange89.95

Original 1965-66 Brake Calipers were unique because they featured a first design piston with phonetic insulators (to reduce heat transfer), unique caliper castings and casting numbers. We now feature these calipers on an outright or exchange basis. These calipers utilize new, original design pistons and reconditioned insulators. The core charge is \$50 per caliper, standard cores w/o correct casting numbers or insulators are acceptable as cores. Call us for details if you have questions.

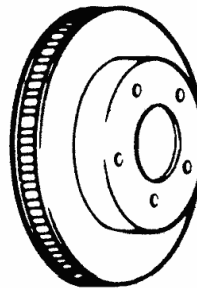
- B0784 65-67 CALIPER - front brake, LEFT FRONT, STAINLESS STEEL SLEEVED WITH 'O' RING SEAL SYSTEM, w/exchange104.75
- B0786 65-67 CALIPER - front brake, RIGHT FRONT, STAINLESS STEEL SLEEVED WITH 'O' RING SEAL SYSTEM, w/exchange104.75
- B0785 65-67 CALIPER - rear brake, LEFT REAR, STAINLESS STEEL SLEEVED WITH 'O' RING SEAL SYSTEM, w/exchange104.75
- B0787 65-67 CALIPER - rear brake, RIGHT REAR, STAINLESS STEEL SLEEVED WITH 'O' RING SEAL SYSTEM, w/exchang104.75
- B0788 65-67 CALIPER - front brake, NEW DELCO CASTINGS, LEFT FRONT, STAINLESS STEEL SLEEVED WITH ORIGINAL DESIGN LIP SEALS, NO EXCHANGE158.95
- B0790 65-67 CALIPER - front brake, NEW DELCO CASTINGS, RIGHT FRONT, STAINLESS STEEL SLEEVED WITH ORIGINAL DESIGN LIP SEALS, NO EXCHANGE158.95
- B0789 65-67 CALIPER - rear brake, NEW DELCO CASTINGS, LEFT REAR, STAINLESS STEEL SLEEVED WITH ORIGINAL DESIGN LIP SEALS, NO EXCHANGE158.95
- B0791 65-67 CALIPER - rear brake, NEW DELCO CASTINGS, RIGHT REAR, STAINLESS STEEL SLEEVED WITH ORIGINAL DESIGN LIP SEALS, NO EXCHANGE158.95
- B1290 65-66 CALIPER w/PISTON INSULATORS - brake, front LH, w/correct casting #s, w/exchange124.95
- B1291 65-66 CALIPER w/PISTON INSULATORS - brake, front RH, w/correct casting #s, w/exchange124.95
- B1292 65-66 CALIPER w/PISTON INSULATORS - brake, rear LH, w/correct casting #s, w/exchange124.95
- B1293 65-66 CALIPER w/PISTON INSULATORS - brake, rear RH, w/correct casting #s, w/exchange124.95

All brake calipers are stainless steel sleeved and feature a written limited lifetime warranty. They are fully assembled and pressure tested. Reconditioning includes new seals, boots, "O" rings, pistons, bleeders, screws and pad pins. 1965-66 1st design include insulators.

- S8054 63-67 CAP - grease, front wheel / replacement4.95
- S8019 63-67 CAP SET - grease, front wheel w/dimple, correct, (pr)24.85
- A1025 63-67 FLUID - brake, silicone, DOT 5, quart / won't absorb moisture24.95
- A1024 63-67 FLUID - brake, standard, DOT 3, quart4.50
- S8061 65-67 HUB - front rotor, small bearing journal reconditioned195.00
- B1296 65-66 INSULATOR - caliper piston, front, 1st design, recond. w/new screw, (4 req. per caliper) (ea)15.95
- B1297 65-66 INSULATOR - caliper piston, rear, 1st design, recond. w/new screw, (4 req. per caliper) (ea)15.95
- B1062 65-67 PAD SET - disc brake, (car set) (8 pc.)31.95
- B1051 65-67 PAD SET - disc brake, (per axle/2 wheels) (4 pc.)16.95
- B1070 65-67 PAD SET - disc brake, semi metallic, heavy duty, (per axle) (4 pc.)29.95
- B1041 65-67 PIN - disc brake pad, steel2.40
- B1042 65-67 PIN - disc brake pad, stainless steel7.00
- B1294 65-66 PISTON - brake caliper, front, 1st design, for use w/insulator (4 req. per caliper) (ea) 14.95
- B1083 65-67 PISTON - brake caliper, front, (large diameter) (4 req. per wheel) (ea)6.05
- B1295 65-66 PISTON - brake caliper, rear, 1st design, for use w/insulator (4 req. per caliper) (ea) 14.95
- B1084 65-67 PISTON - brake caliper, rear, (small diameter) (4 req. per wheel) (ea)5.35



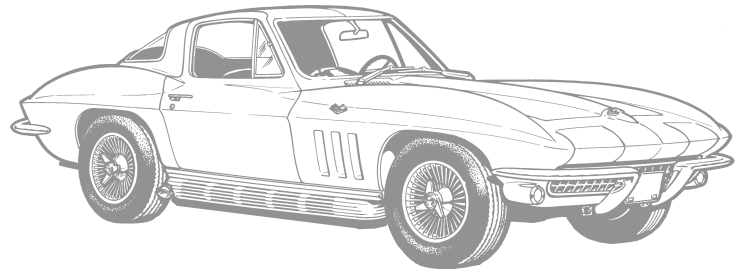
- B1075 65-67 REBUILD KIT - front caliper, per wheel13.95
- B1076 65-67 REBUILD KIT - rear caliper, per wheel13.95
- B1077 65-67 REBUILD KIT - master kit, front & rear calipers, contains all seals, Boots and 'O' rings required, (does all 4)46.95
- S8350 65-67 RIVET SET - one rear rotor to spindle, (5 pc.)5.25

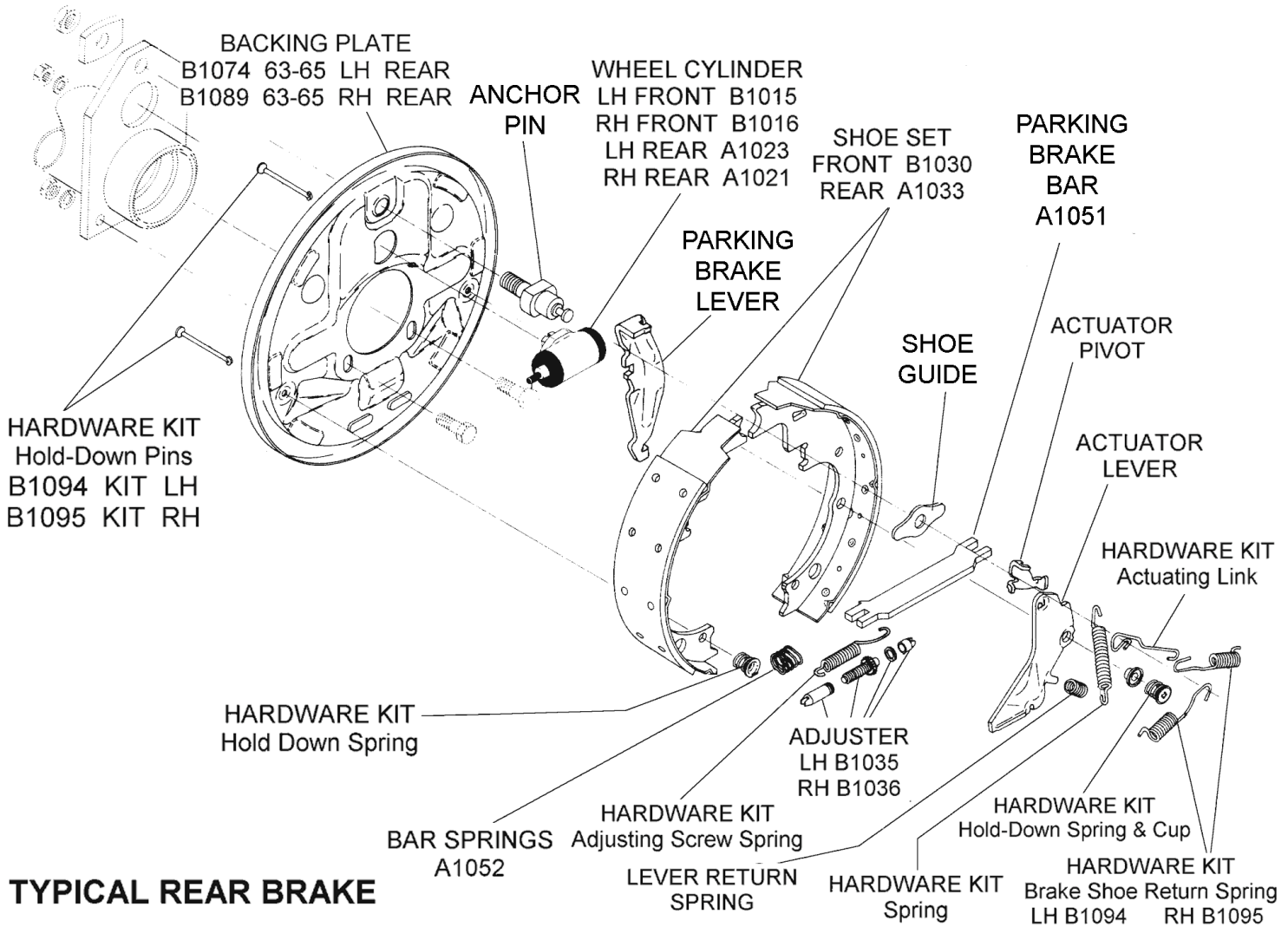


- S8039 65-67 ROTOR - front, w/o hub, (transfer old hub) . .59.00
 - S8146 65-67 ROTOR - rear59.00
 - B1020 65-67 SCREW - brake caliper bleeder, stainless steel6.75
 - S8052 65-67 SEAL - front wheel bearing7.50
 - S8030 65-67 STUD - rotor, front or rear, 1 7/8' long2.60
 - B1048 65-67 TOOL - disc brake caliper pad restraining, (4 pc.)16.80
- NOTE:** "C" clamp design retains/holds piston in caliper while installing new brake pads.
- A8309 65-67 WRENCH - brake bleeder5.95

Drum & Related / 1963-65

- NOTE:** Drum brakes were used on a limited number of 1965 Corvettes with the Disc Brake Delete option.
- B1035 63-65 ADJUSTER - brake, star wheel, LH, (2 req.) (ea) 9.25
 - B1036 63-65 ADJUSTER - brake, star wheel, RH, (2 req.) (ea) 9.25
 - B1045 63-65 BACKING PLATE - front, LH, w/drum brakes, (recond.)89.95
 - B1123 63-65 BACKING PLATE - front, RH, w/drum brakes, (recond.)89.95
 - B1074 63-65 BACKING PLATE - rear, w/drum brakes, LH, (recond.)74.95
 - B1089 63-65 BACKING PLATE - rear, w/drum brakes, RH, (recond.)129.30
 - B1305 63-65 CONVERSION KIT - drum to disc brake, front . 795.00
- Convert your drum brake system to disc brake. Includes calipers (stainless steel sleeved), new rotors, spindles, knuckles, bearings, shields, seals, brackets and every nut, bolt & miscellaneous part you need. **NOTE:** Original 1963-64 steel wheels will not work on converted vehicles. To retain a stock appearance, use 1965-66 steel wheels.
- B1309 63-65 CONVERSION KIT - drum to disc brake, rear 1,195.00
 - A1031 56-62 COVER SET - brake shoe adjusting holes (4 pc) 4.95
 - B1029 63-65 DRUM - brake, front69.00
 - A1027 63-65 DRUM - brake, rear67.50
 - B1000 63-65 FAN KIT - Z06, heavy duty, brakes, (4 pc.) . 283.35
 - B1094 63-65 HARDWARE SUPER KIT - self adjuster system, star wheel, Springs plates & retainers, (does one wheel) LH15.50
 - B1095 63-65 HARDWARE SUPER KIT - self adjuster system, star wheel, Springs plates & retainers, (does one wheel) RH15.50
 - S8366 63-65 HUB - brake drum, front, reconditioned (ea) . 95.00
 - B1032 63-65 KIT - brake spring & hold down, front14.00
 - B1033 63-65 KIT - brake spring & hold down, rear14.00
 - A1041 63-65 PIN - wheel cylinder, (8 req. per car) (2 per wheel cylinder) (ea)5.95
 - A8310 63-65 PLIERS - brake spring installation/removal . .7.95
 - A1028 63-65 REBUILD KIT - front wheel cylinder, 1 3/16' bore12.95
 - A1022 63-65 REBUILD KIT - rear wheel cylinder, 1' bore9.95
 - A1017 63-65 SCREW - wheel cylinder bleeder, replacement (1-11/16"x3/8' hex head) (repl.) (ea)2.95

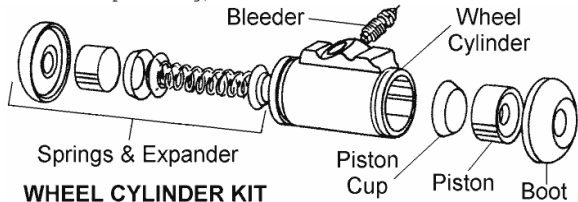




TYPICAL REAR BRAKE

A1078 63-65	SCREW SET - wheel cylinder bleeder, original design, w/3/8-24 threads, (4 pc) ...	39.95
S8052 63-65	SEAL - front wheel bearing	7.50
B1030 63-65	SHOE SET - front brakes, (4 pc.)	46.80
A1033 63-65	SHOE SET - rear brakes, (4 pc.)	28.95
A1029 63-65	SPRING - around brake drum, (coil type)(ea) .	12.00
A1052 63-65	SPRING SET - brake shoe spreader bar, (1 set required per car)	4.50
A1001 63-65	STUD/LUG - on brake drum, wheel mounting, (1- 5/8' OL)	3.65
A8305 63-65	TOOL (SPOON) - brake adjusting	9.35
A8321 63-65	TOOL - brake shoe hold-down spring compressing, removal & installation	9.75

B1046 67	CLIP & SCREW SET - brakes line, 11 clips, 9 screws, (correct)	26.85
A1122 63-65	CLIP - brake line, along frame rail, (3 req.) (ea)	4.45
A1124 63-66	CLIP - brake line, front crossover, (1 req.) .	7.25
A1124 63-66	CLIP - brake line, front crossover, (1 req.) .	7.25
B1197 63-67	CLIP - brake line, holds front & rear lines together, before master cylinder	13.20
B1172 63-67	CLIP - brake line, rear crossover, (ea)	2.95
B1175 63-67	CLIP - brake line, used at rear crossover brake line & near clutch pivot frame bracket, correct, (4 req.) (ea)	17.95
B1351 63-67	CLIP - holds front & rear lines together below master cylinder (63 Z06, J56, 65-66 w/PB, 67 all)	4.90
B1174 63-65	CLIP SET - brake/fuel lines, (repl.)	20.00
B1176 66	CLIP SET - brake/fuel lines, (repl.)	13.00
B1178 67	CLIP SET - brake/fuel lines, (repl.)	10.35



WHEEL CYLINDER KIT

B1015 63-65	WHEEL CYLINDER - left front	27.60
B1016 63-65	WHEEL CYLINDER - right front	27.60
A1019 63-65	WHEEL CYLINDER - left rear, (1 1/8' bore) .	36.75
A1020 63-65	WHEEL CYLINDER - right rear, (1 1/8' bore) .	36.75
A8309 63-65	WRENCH - brake bleeder	5.95

Line Clips

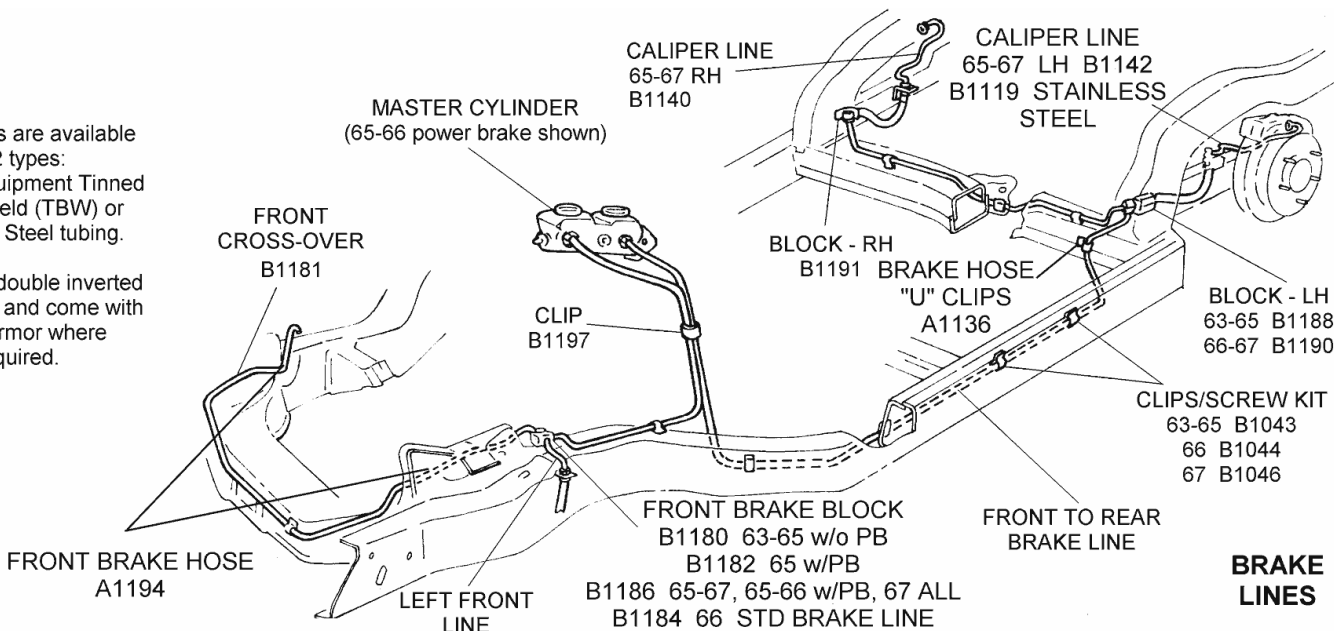
B1131 65-67	BOLT - brake block & line attaching 'E' headmark, (1 req.)	7.85
B1133 66	BOLT KIT - brake line clamp attaching 'E' headmark, (4 pc.)	4.50
B1135 67	BOLT KIT - brake line clamp attaching 'E' headmark, (7 pc.)	7.85
B1043 63-65	CLIP & SCREW SET - brakes line, 9 clips, 1 screw, (correct)	41.95
B1044 66	CLIP & SCREW SET - brakes line, 10 clips, 6 screws, (correct)	33.10

Line Kits - Stainless Steel Tubing

B1149 63-64	LINE KIT - brake, full car set, w/o P.B. (ss)	135.45
B1129 65E	LINE KIT - brake, full car set, w/o PB, 3/16' front of rear line (ss)	138.00
B1153 65	LINE KIT - brake, full car set, w/o P.B. (ss)	135.45
B1157 66	LINE KIT - brake, full car set, w/o P.B. (ss)	135.45
B1161 67	LINE KIT - brake, full car set, w/o P.B. (ss)	137.95
B1147 63-64	LINE KIT - brake, full car set, w/P.B. (ss) .	135.45
B1151 65E	LINE KIT - brake, full car set, w/P.B. 3/16' master cylinder line (ss)	135.45
B1155 65E-66	LINE KIT - brake, full car set, w/P.B. 1/4' master cylinder line (ss)	135.45
B1159 67	LINE KIT - brake, full car set, w/P.B. (ss) .	159.00

Brake lines are available in 2 types:
Original equipment Tinned Bundy Weld (TBW) or Stainless Steel tubing.

Both have double inverted flared ends and come with spiral armor where required.



Line Kits - Standard Steel Tubing

B1148	63-64	LINE KIT - brake, steel, full car set, w/o P.B.	109.55
B1152	65	LINE KIT - brake, steel, full car set, w/o P.B.	109.55
B1156	66	LINE KIT - brake, steel, full car set, w/o P.B.	109.55
B1160	67	LINE KIT - brake, steel, full car set, w/o P.B.	124.95
B1199	65	LINE KIT - brake, steel, full car set, w/o P.B., 1/4 front to rear drive	109.20
B1146	63-64	LINE KIT - brake, steel, full car set, w/P.B.	109.20
B1150	65E	LINE KIT - brake, steel, full car set, w/P.B., 3/16' master cylinder line	106.65
B1154	65E-66	LINE KIT - brake, steel, full car set, w/P.B., 1/4' master cylinder line	102.00
B1158	67	LINE KIT - brake, steel, full car set, w/P.B.	124.95
B6564	66	LINE KIT - brake, steel, full car set, J 56	178.45
B6566	67	LINE KIT - brake, steel, full car set, J 56	205.50

B1110	65L-66	LINE - master cylinder, (power brakes) (1/4' line)	24.15
B1114	67	LINE - master cylinder, (power brakes)	22.05
B1102	63-64	LINE - master cylinder, (standard brakes)	22.05
B1106	65-66	LINE - master cylinder, (standard brakes)	22.05
B1112	67	LINE - master cylinder, (standard brakes)	22.05
B1142	65-67	LINE - rear caliper, LH	12.45
B1140	65-67	LINE - rear caliper, RH	12.45
B1144	63-67	LINE - rear crossover	16.60
B1138	63-64	LINE - rear drum, LH	11.10
B1136	63-64	LINE - rear drum, RH	11.10
B1116	67	LINE KIT - master cylinder to distribution block, (pr)	24.15
B1192	65-67	LINE SET - rear brake caliper, standard, (pr)	20.00

Lines - Individual, Stainless Steel

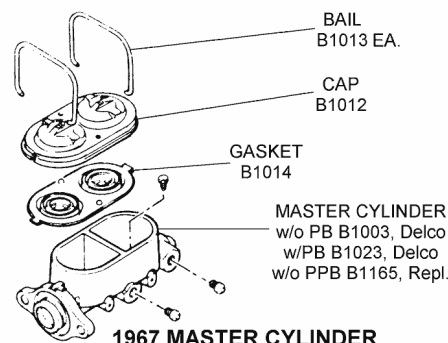
B1179	63-67	LINE - crossover, front, left to right, 11 bends SS	32.80
B1105	67	LINE - front block to rubber line, LH SS	13.50
B1170	63-64	LINE - front to rear, standard & power brakes SS	55.95
B1171	65	LINE - front to rear / standard brakes SS	55.95
B1173	65E	LINE - front to rear / power brakes 3/16' SS	55.95
B1177	65L-66	LINE - front to rear / power brakes 1/4' SS	55.95
B1109	67	LINE - front to rear / power brakes SS	55.95
B1107	67	LINE - front to rear / standard brakes SS	55.95
B1117	63-64	LINE - master cylinder / power brakes 1/4' SS	29.40
B1115	63-64	LINE - master cylinder, standard brakes SS	29.40
B1137	65L-66	LINE - master cylinder, power brakes, 1/4' SS	29.40
B1118	65-66	LINE - master cylinder, standard brakes SS	29.40
B1119	65-67	LINE - rear caliper, w/armor, LH SS	13.95
B1113	65-67	LINE - rear caliper, w/armor, RH SS	13.95
B1111	63-67	LINE - rear crossover SS	23.60
B1193	65-67	LINE KIT - rear brake calipers, SS (pr)	19.35
B1100	67	LINE KIT - master cylinder to distribution block, front & rear, SS (pr)	29.00

Lines - Individual, Standard Steel

All brake lines are Tinned Bundy Weld (TBW) steel tubing, except as noted, with double inverted flares, pre-bent to original shape.

B1120	63-67	LINE - block to rubber line, left front	10.35
B1181	63-67	LINE - crossover, front, left to right, 11 bends	29.95
B1134	67	LINE - front to rear, (power brakes)	43.95
B1126	65E	LINE - front to rear, (power brakes, 3/16')	43.95
B1128	65L-66	LINE - front to rear, (power brakes, 1/4')	43.95
B1122	63-64	LINE - front to rear, (standard & power brakes)	43.95
B1124	65	LINE - front to rear, (standard)	43.95
B1130	66	LINE - front to rear, (standard)	43.95
B1132	67	LINE - front to rear, (standard)	43.95
B1104	63-64	LINE - master cylinder, (power brakes)	22.05
B1108	65E	LINE - master cylinder, (power brakes) (3/16' line)	24.15

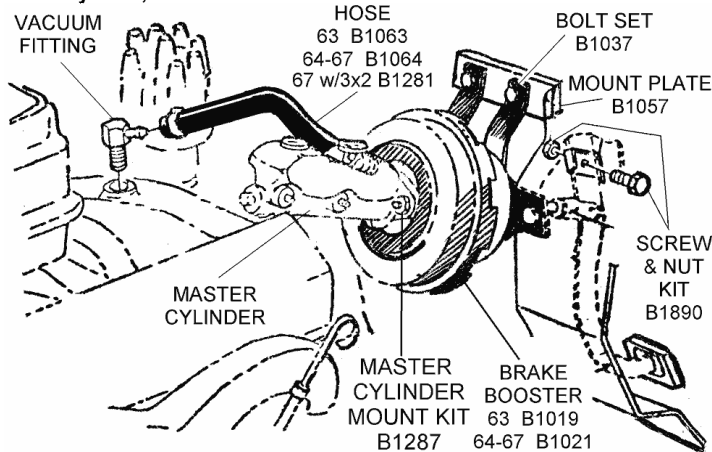
Master Cylinder & Related Parts Without Power Brakes



B1018	64	BAIL/RETAINER - master cylinder lid	4.65
B1013	67	BAIL/RETAINER - master cylinder cap, (2 req.) (ea)	3.95
A1015	63-67	BOOT/SEAL - master cylinder rod, rubber, w/o PB	9.95
B1775	63	CAP - master cylinder, original, reconditioned	34.95
B1017	64	CAP - master cylinder	14.95
B1006	65-66	CAP - master cylinder, w/clips, w/o gasket	32.95
B1249	67	CAP - master cylinder correct	25.95
B1012	67	CAP - master cylinder, (replacement)	11.10
B1097	67	CAP - master cylinder, w/bails, chrome plated	24.95
C1112	67	CAP - master cylinder, w/bails, polished stainless steel, w/o gasket	39.95
B1040	63-67	CLEVIS - brake push rod	21.25
A1025	63-67	FLUID - brake, silicone, DOT 5, quart / won't absorb moisture	24.95
A1024	63-67	FLUID - brake, standard, DOT 3, quart	4.50
B1279	63	GASKET - master cylinder cap	5.00
B1779	64	GASKET - master cylinder cap	10.50
B1008	65-66	GASKET - master cylinder cover	14.00
B1014	67	GASKET - master cylinder lid	11.50
B1050	63-67	GASKET - master cylinder to fire wall	3.65
B1072	63	MASTER CYLINDER - original, 7/8 bore w/thumb screw cap, casting #5462389, rebuilt/restored	799.95

B1069	64	MASTER CYLINDER - original, 7/8 bore w/bail cap, casting #5464264, rebuilt/restored349.95
B1001	63-64	MASTER CYLINDER - (repl.)89.95
B1002	65-66	MASTER CYLINDER - casting as original, correct cap137.95
B1460	67	MASTER CYLINDER - new! Delco #5455509 w/DC stamped boss as original w/correct lid all w/o power brakes/REPRO109.95
B1165	67	MASTER CYLINDER - w/o power brakes, (repl.)87.95
B1386	67	MASTER CYLINDER - w/o power brakes, original casting #5455509 w/'DC' stamp on front, rebuilt and/or stainless steel sleeved, w/yellow di-chromated cover299.95
B1287	63-67	MOUNT KIT - master cylinder to brake booster, nut & washer, (4 pc.)1.75
B1231	63-67	NUT - master cylinder push rod1.00
B1283	63-67	PIN - brake pedal or caliper clevis3.95
B1282	64-67	PISTON HUB - power brake booster, GM #5467849, **NOS**59.95
B1039	63-67	PUSH ROD - brake booster, rear7.10
B1028	63-64	REBUILD KIT - master cylinder, 7/8' bore35.95
B1004	65-66	REBUILD KIT - master cylinder w/o power brakes26.40
B1005	67	REBUILD KIT - master cylinder, 1' bore35.95
B1801	65L-67	RETAINER - boot w/screws6.50
B1284	63-67	RETAINER - brake pedal clevis pin1.30
B1776	64	RETAINER/BAIL - master cylinder cap4.50
B1778	63	RETAINER/SCREW - master cylinder cap (recond)14.95
B1777	63	SCREW/RETAINER - master cylinder cap, thumb style20.00
A1008	63-66	SLEEVING RESTORATION SERVICE - (stainless steel) sleeving and rebuilding your single line master cylinder199.95
B1125	67	SLEEVING/RESTORATION SERVICE - (stainless steel) sleeving and rebuilding your dual master cylinder219.95

Master Cylinder, Booster & Related Parts - Power Brakes



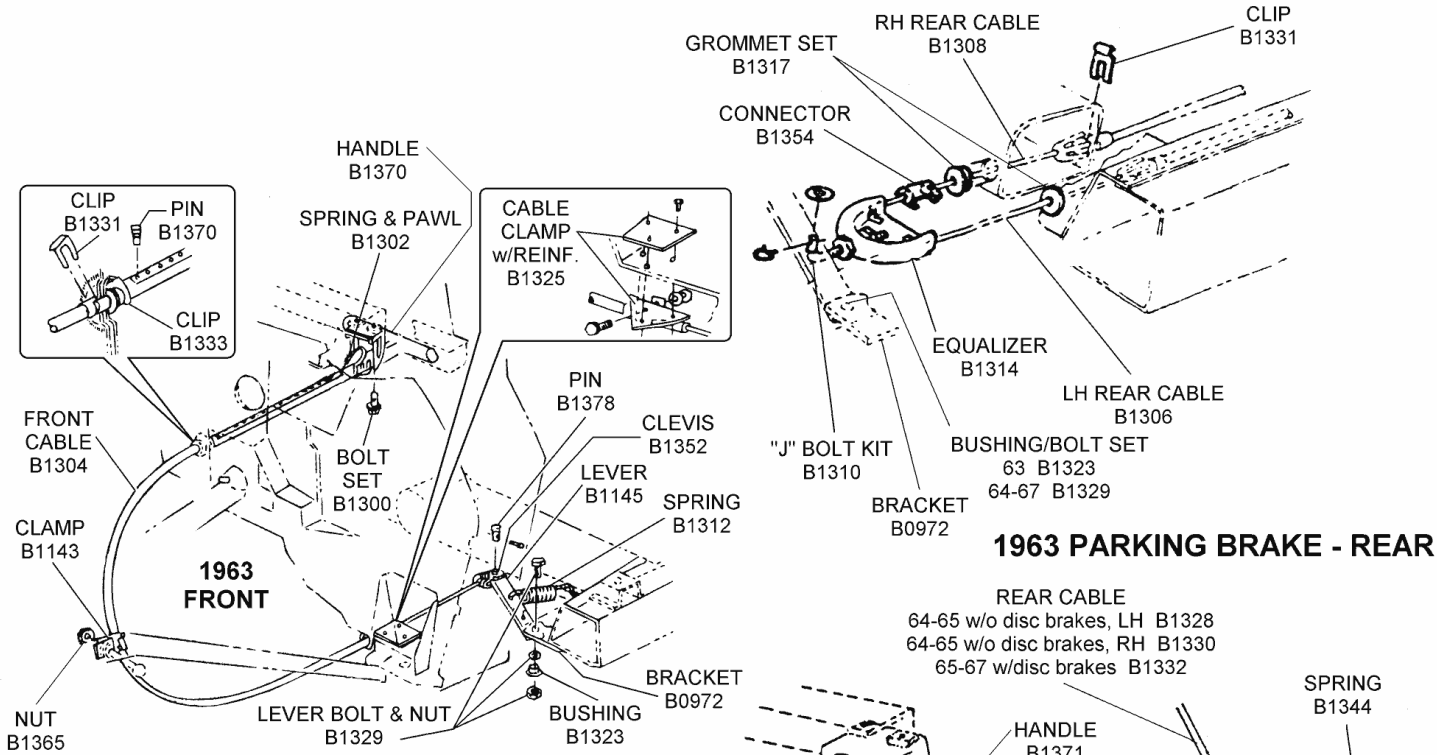
B1018	64	BAIL/RETAINER - master cylinder lid4.65
B1013	67	BAIL/RETAINER - master cylinder cap, (2 req.) (ea)3.95
B0030	63	BRACKET - power brake booster hose13.45
B1037	63-67	BOLT SET - power brake booster mounting, correct, (pr)5.90
B1019	63	BOOSTER - power brake, restored695.00
B0003	64-67	BOOSTER - power brake, new314.95
B1021	64-67	BOOSTER - power brake, restored, original correct part number/dated per request399.95
B0008	63	BRACKET - power brake booster hose12.95
B1057	63-67	BRACKET/PLATE - power brake booster, includes bolt, reinforcement (mounting) on firewall19.15
B1775	63	CAP - master cylinder, original, reconditioned34.95
B1017	64	CAP - master cylinder14.95
B1027	65-66	CAP - master cylinder, correct milky white plastic w/Delco script(2 req.) (ea)13.95
B1249	67	CAP - master cylinder correct25.95
B1097	67	CAP - master cylinder, w/bails, chrome plated24.95
C1112	67	CAP - master cylinder, w/bails, polished stainless steel, w/o gasket39.95
B1061	64-67	CHECK VALVE & GROMMET - power brake booster3.75
B1313	64-67	CHECK VALVE & GROMMET - original (greenish beige color)8.95
B1010	64-67	CHECK VALVE - booster5.00
B010064,66-67		CLAMP SET - power brake vacuum line booster to manifold, (pr)3.00
B1040	63-67	CLEVIS - brake push rod21.25
B1352	63-66	CLEVIS front parking brake cable7.95

B1369	64-67	COVER - rear of booster over hub & rod at rear, white plastic9.95
B1038	63	CUP - by seal between booster and master cylinder14.95
B1066	63	DIAPHRAGM - power brake booster58.95
B1011	64-67	DIAPHRAGM - power brake booster21.50
B1086	65E	FITTING KIT - brake line, allows installation of 67 master cylinder (B1023 or B1163) to replace original 65 master cylinder with 1/4' lines, (2 pc.)9.95
B1087	65L-66	FITTING KIT - brake line, allows installation of 67 master cylinder (B1023 or B1163) to replace original 65L & 66 master cylinders with 5/16' lines, (2 pc.)9.95
A1025	63-67	FLUID - brake, silicone, DOT 5, quart / won't absorb moisture24.95
A1024	63-67	FLUID - brake, standard, DOT 3, quart4.50
B1279	63	GASKET - master cylinder cap5.00
B1779	64	GASKET - master cylinder cap10.50
B1014	67	GASKET - master cylinder cap11.50
B1007	64-67	GROMMET - power brake booster, vacuum check valve1.00
B1063	63	HOSE & CLAMP KIT - power brake booster vacuum has original logo 'Swan LD vacuum power brake hose FC-18.30
B1068	63	HOSE & CLAMP SET - power brake booster4.45
B1064	64-67	HOSE & CLAMP KIT - power brake booster vacuum, exc 3x28.30
B1281	67	HOSE & CLAMP KIT - power brake booster vacuum, w/3x28.95
B1001	63-64	MASTER CYLINDER - (repl.)89.95
B1096	63	MASTER CYLINDER - original casting, 7/8 bore, w/bleeder & thumb screw cap, casting #5462389, rebuilt/restored799.95
B1073	64	MASTER CYLINDER - original casting #5464264, w/bleeder & bail cap, 7/8 bore, rebuilt349.95
B1078	65E	MASTER CYLINDER - 3/16' line, casting #5467084, restored originalCALL
B1430	65E	MASTER CYLINDER - w/ 3/16 lines, casting number 5467084, exact reproduction829.95
B1079	65L-66	MASTER CYLINDER - original 1/4' line, casting #5467084, rebuilt/restoredCALL
B1431	65L-66	MASTER CYLINDER - w/ 1/4 lines, casting number 5467084, exact reproduction829.95
B1387	67	MASTER CYLINDER - w/power brakes, original casting #5480346 w/'PG' stamp on front boss, rebuilt and/or stainless steel sleeved, w/yellow di-chromated cap299.95
B1461	67	MASTER CYLINDER - new! Delco #5480346 w/PG stamped boss as original w/correct lid all w/power brakes/REPRO109.95
B1163	65-67	MASTER CYLINDER - (repl.) requires brake line upgrade for use on early 65's w/power brakes87.95
B1287	63-67	MOUNT KIT - master cylinder to brake booster or firewall, nut & washer (4pc.)1.75
B1283	63-67	PIN - brake pedal or caliper clevis3.95
B1028	63-64	REBUILD KIT - master cylinder, 7/8' bore35.95
B1185	65-66	REBUILD KIT - master cylinder, seals only (5pc)34.95
B1299	65-66	REBUILD KIT - master cylinder w/power brakes / seals, pistons, springs & retainer62.95
B1031	67	REBUILD KIT - master cylinder, 1 1/8' bore37.85
B1280	67	REBUILD SERVICE - proportioning valve89.95
B1121	63	RESTORATION/REBUILD SERVICE - power brake booster295.00
B1022	64-67	RESTORATION/REBUILD SERVICE - power brake booster295.00

NOTE: B1121 & B1022 includes replating booster can.

Parking Brake System - 1963

B1385	63	BOLT SET - parking handle bracket to dash1.50
B1329	63	BOLT, WASHER, SPECIAL NUT KIT - parking brake lever1.60
B1310	63	BOLT/ROD - parking brake cable, 'J' shape, w/nuts & clip13.85
B0972	63	BRACKET - parking brake lever, (welds to frame)21.25
A6035	63	BULB - parking brake alarm, flashing2.20
B6030	63	BULB - parking brake alarm, non-flashing1.20
B1323	63	BUSHING - parking brake lever6.30
B1304	63	CABLE - front parking brake84.95
B1306	63	CABLE - rear parking brake, LH48.95
B1308	63	CABLE - rear parking brake, RH55.00

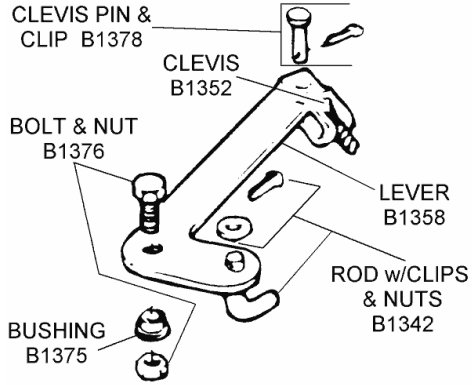


1963 PARKING BRAKE - REAR

1964-66 PARKING BRAKE

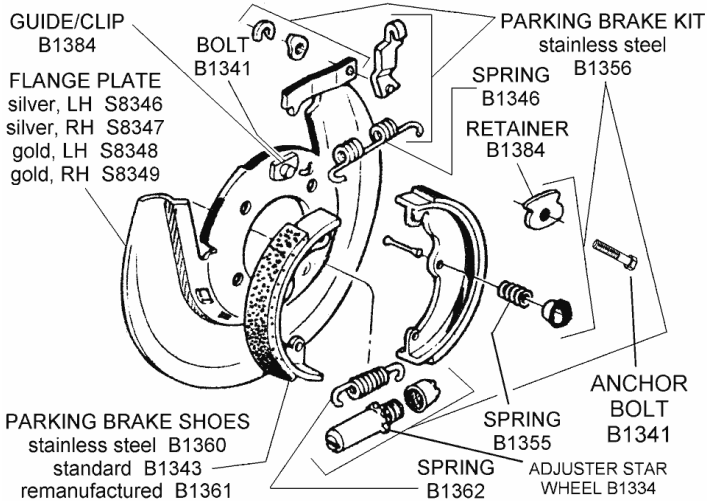
1967 PARKING BRAKE

B1325	63	CLAMP & REINFORCEMENT KIT - front parking brake cable23.95
B1143	63	CLAMP & SCREW KIT - parking brake cable31.75
B6568	63	CLAMP - front parking brake cable, (ea)1.35



B1352	63	CLEVIS - front parking brake cable7.95
B6569	63	CLEVIS - w/pin, front parking brake cable7.35
B1378	63	CLEVIS PIN w/CLIP - parking brake cable1.35
B1333	63	CLIP - cable retainer, inner4.10
B1335	63	CLIP - cable retainer, outer1.45
A1136	63	CLIP - parking brake cable, 'U' shape1.45
B1331	63	CLIP SET - parking brake cable, (4 pc.)8.20
B1354	63	CONNECTOR - rear parking brake cable, (w/drum brakes)8.60
B1314	63	EQUALIZER - front parking brake cable21.90
B1317	63	GROMMET SET - rear parking brake cable at frame, (repl.) (pr)2.95
B1370	63	HANDLE - parking brake33.20
B1145	63	LEVER - parking brake26.35
B1365	63	NUT - parking brake cable clamp1.00
B6577	63	PIN - parking brake handle attaching3.00
B1372	63	PIN - parking brake handle stop5.85
B1167	63	SEAL - parking brake cable at firewall5.00
B1302	63	SPRING & PAWL KIT - parking brake handle8.75
B1312	63	SPRING - front parking brake return cable6.05
B5150	64-66	STUD PLATE - parking brake cable to floor pan14.70
B1257	63	SWITCH & BRACKET - parking brake warning75.00

Parking Brake System - 1964-66



B1381	64-66	BOLT, WASHER, NUT KIT - parking brake pulley2.50
B1334	65-66	ADJUSTER - parking brake, star wheel design, (2 req.) (ea)30.80
B1380	64-66	BEARING - pulley, front parking brake cable . .4.60
B1264	64-66	BOLT & SPACER KIT - front bumper mounting ...18.95
B1376	64-66	BOLT & SPECIAL NUT - parking brake lever pivot1.95
B1368	64-66	BOLT - parking brake cable clamp1.05
B1300	64-66	BOLT SET - parking brake handle bracket to dash1.85
B1366	64-66	BOLT, NUT & LOCK WASHER KIT - parking brake cable clamp1.20
B1374	64-66	BOLT, NUT & LOCK WASHER KIT - parking brake pulley2.25
B1367	64-66	BOLT, RIVET & NUT KIT - parking brake cable, 'T' shape bolt6.20
B1341	65-66	BOLT/PIN - parking brake shoe anchor8.10
B1342	64-66	BOLT/ROD - parking brake cable, 'J' shape, w/nuts & clip22.45

B1345	65-82	BOOT SET - parking brake cable / correct as original -easy to install27.10
B1141	64-66	BRACKET - front parking brake cable pulley . .23.95
B0973	64-66	BRACKET - parking brake pivot, (welds to frame)14.45
B1364	64-66	BRACKET SET - parking brake cable guides, forward position, welds on trailing arm10.50
B1363	65-66	BRACKET SET - parking brake cable guides, rear position, weld12.25
B0970	64-66	BRACKET SET - parking brake cable on frame, (pr)22.65
A6035	64-66	BULB - parking brake alarm, flashing2.20
B6030	64-66	BULB - parking brake alarm, non-flashing1.20
B1375	64-66	BUSHING - parking brake lever4.35
B1318	64-66	CABLE - front parking brake38.70
B1332	65-66	CABLE - rear parking brake, w/disc brake, (GM)64.95
B1327	65-66	CABLE - rear parking brake, w/disc brakes ...34.50
B1328	64-65	CABLE - rear parking brake, w/o disk brakes, LH50.00
B1330	64-65	CABLE - rear parking brake, w/o disk brakes, RH50.00
B1336	65-66	CABLE KIT - rear parking brake, (stainless steel)81.95
B1373	64-66	CLAMP - front parking brake cable to underbody1.35
B0974	64-66	CLAMP - parking brake cable7.50
B1425	64-66	CLAMP - parking brake cable, welds to frame . .8.40
B1352	64-66	CLEVIS - front parking brake cable7.95
A1136	64-66	CLIP - parking brake cable, 'U' shape1.45
B1338	65-66	CLIP SET - parking brake cable 'Mickey Mouse', (4 req.) (pr)3.40
B1354	64-65	CONNECTOR - rear parking brake cable, (w/drum brakes)8.60
B1348	64-66	EQUALIZER - front parking brake cable7.95
B1419	65-66	GROMMET - parking brake cable, at firewall, (after 4/65) (repl.)1.50
B1340	65-66	GUIDE - parking brake cable, rear, nylon, (ea)2.05
B1384	65-66	GUIDE/CLIP - parking brake shoes, mounts under anchor bolt1.75
B1371	64-66	HANDLE - parking brake43.40
B1311	64-66	HANDLE/SLIDE & BRACKET ASSEMBLY - emergency brake (used)145.00
B6578	65-66	HOLD DOWN KIT - parking brake shoes axle kit 10.95
B1350	64-66	LEVER - front parking brake cable on frame .18.45
B1418	64-66	NUT & WASHER SET - pulley bracket to firewall, (6 pc.)3.95
B1356	65-66	PARKING BRAKE KIT - stainless steel, replaces all original parking brake hardware components (except shoes) both sides59.95
B6577	64-66	PIN - parking brake handle attaching3.00
B1379	64-66	PIN - parking brake handle stop5.45
B1349	65-66	PIN - parking brake shoe anchor, on rear rotor shield16.65
B1320	64-66	PULLEY - front parking brake cable, nylon .19.45
B6576	64-66	SCREW SET - parking brake handle bracket to dash1.50
B1421	64-66	SHAFT - parking brake handle, notched47.25
B1343	65-66	SHOE SET - parking brake, (4 pc.)39.95
B1360	65-66	SHOE SET - parking brake, stainless steel, (4 pc.)99.20
A1300	64-66	SPRING & PAWL KIT - parking brake handle ...10.45
B1344	64-66	SPRING - front parking brake cable return ...6.50
B1355	65-66	SPRING - parking brake shoe hold down, (ea) .1.50
B1362	65-66	SPRING - parking brake shoes, lower, short . .4.85
B1346	65-66	SPRING - parking brake shoes, upper, long ...8.70
B5150	64-66	STUD PLATE - parking brake cable to floor pan14.70
B8607	64-66	SWITCH - parking brake light14.95
B1286	65-66	TOOL - parking brake11.70
B1420	64	WASHER SET - pulley bracket, (2 pc.)1.00

Parking Brake System - 1967

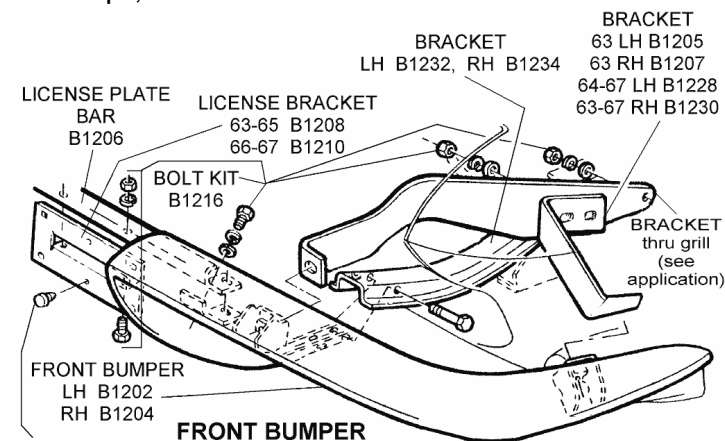
B1334	67	ADJUSTER - parking brake, star wheel design, (2 req.) (ea)30.80
B1337	67	BEARING - pulley, front parking brake cable . .3.25
B1264	67	BOLT & SPACER KIT - front bumper mounting ...18.95
B1382	67	BOLT, WASHER, NUT KIT - parking brake pulley1.80
B1341	67	BOLT/PIN - parking brake shoe anchor8.10
B0975	67	BRACKET - parking brake pulley, (welds to frame)36.85
B1364	67	BRACKET SET - parking brake cable guides, forward position, welds on trailing arm10.50
B1363	67	BRACKET SET - parking brake cable guides, rear position, weld on trailing arms, (pr) .12.25
B0971	67	BRACKET SET - parking brake cable on frame, (pr)22.65
A6035	67	BULB - parking brake alarm, flashing2.20
B6030	67	BULB - parking brake alarm, non-flashing1.20
B1322	67	CABLE - front parking brake33.05

B1332	67	CABLE - rear parking brake, w/disc brake, (GM)	64.95
B1327	67	CABLE - rear parking brake, w/disc brakes	34.50
B1324	67	CABLE KIT - front parking brake, (stainless steel)	41.75
B1336	67	CABLE KIT - rear parking brake, (stainless steel)	81.95
A1136	67	CLIP - parking brake cable, 'U' shape	1.45
B1338	67	CLIP SET - parking brake cable 'Mickey Mouse', (4 req.) (pr)	3.40
B1354	67	CONNECTOR - rear parking brake cables	8.60
B1377	67	EQUALIZER - front parking brake cable	4.35
B1319	67	GROMMET - front parking brake cable thru floor	5.90
B1340	67	GUIDE - parking brake cable, rear, nylon, (ea)	2.05
B1384	67	GUIDE/CLIP - parking brake shoes, mounts under anchor bolt	1.75
C1302	67	HANDLE /LEVER - parking brake, (rubber)	124.95
B6578	67	HOLD DOWN KIT - parking brake shoes axil kit	10.95
B1339	67	NUT SET - parking brake cable to equalizer, (pr)	1.00
B1356	67	PARKING BRAKE KIT - stainless steel, replaces all original parking brake hardware components (except shoes) both sides	59.95
B1321	67	PIN - front parking brake cable to handle retainer	1.35
B1426	67	PIN - parking brake handle stop	1.00
B1349	67	PIN - parking brake shoe anchor, on rear rotor shield	16.65
B1326	67	PULLEY KIT - front parking brake cable, nylon, w/spacer, bolt & nut	14.10
B1303	67	REBUILD KIT - parking brake system, include stainless steel Parking brake shoes, rear cables & shoes, hardware package, pulley & bearing, bolt kit, return spring & spring tool	239.95
B0635	67	RETAINER - chrome bezel on parking brake lever cover	69.95
B1951	67	RETAINER - parking brake slide & chrome bezel, used	62.95
B1343	67	SHOE SET - parking brake, (4 pc.)	39.95
B1360	67	SHOE SET - parking brake, stainless steel, (4 pc.)	99.20
B1383	67	SPACER - pulley, parking brake cable	8.10
B1344	67	SPRING - front parking brake cable return	6.50
B1355	67	SPRING - parking brake shoe hold down, (ea)	1.50
B1362	67	SPRING - parking brake shoes, lower, short	4.85
B1346	67	SPRING - parking brake shoes, upper, long	8.70
B5150	67	STUD PLATE - parking brake cable to floor plan	14.70
B8628	67	SWITCH - parking brake warning light	25.95
B1286	67	TOOL - parking brake	11.70
B1957	67	TRIM/BEZEL - emergency brake console, around handle, chrome	40.35

B1357	67	PROPORTIONING VALVE - brake system, new	93.50
B1280	67	REBUILD SERVICE - proportioning valve / pressure regulator & fluid warning switch, front brakes, (exchange)	89.95

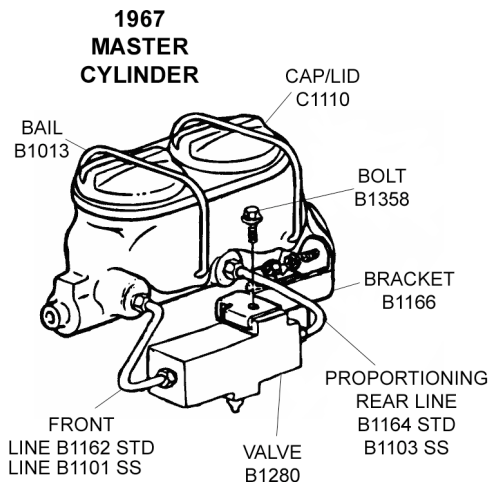
BUMPERS & MOUNTING

Front Bumper, Brackets & Bolts



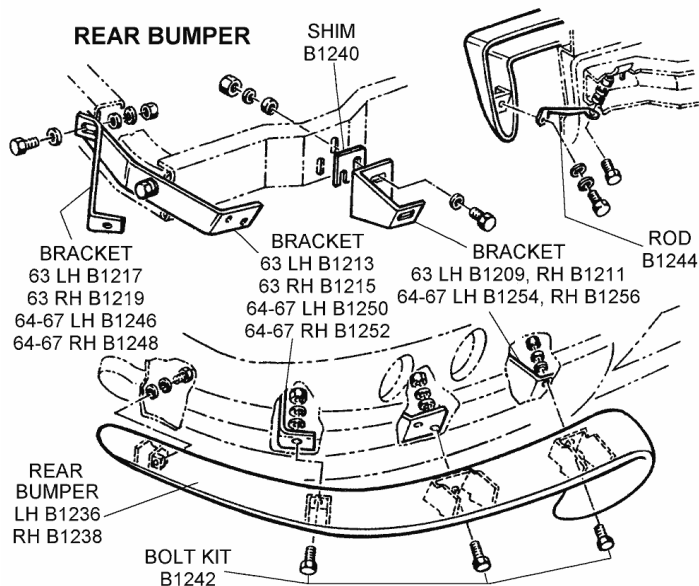
B1206	63-67	BAR - front license, (chrome)	39.95
B1264	63-67	BOLT & SPACER KIT - front bumper mounting	18.95
A1160	63-67	BOLT - bumper brace, 'TR' HM (7/16-14x1-3/8') GRADE 2	2.65
B1216	63-67	BOLT KIT - w/'WB & 'M' headmark, front bumper mount w/nuts and washers, (w/o spacers)	25.90
B1205	63	BRACKET - center front bumper outer, LH *	22.00
B1207	63	BRACKET - center front bumper outer, RH *	22.00
* 1963 Bumper Braces are made of heavier gauge steel than the 1964-67 varieties.			
B1228	64-67	BRACKET - center front bumper, outer, LH	20.50
B1230	64-67	BRACKET - center front bumper, outer, RH	20.50
B1200	63	BRACKET - center front bumper, thru grille, LH *	58.95
B1203	63	BRACKET - center front bumper, thru grille, RH *	58.95
B1220	64	BRACKET - center front bumper, thru grille, LH	42.00
B1222	64	BRACKET - center front bumper, thru grille, RH	42.00
B1224	65-67	BRACKET - center front bumper, thru grille, LH	44.95
B1226	65-67	BRACKET - center front bumper, thru grille, RH	44.95
B1232	63-67	BRACKET - front bumper, under car, LH	77.65
B1234	63-67	BRACKET - front bumper, under car, RH	77.65
B1202	63-67	BUMPER - front, LH	525.00
B1204	63-67	BUMPER - front, RH	525.00
B1201	63-67	BUMPER KIT - front & rear, (4 pc.)	2,100.00
A1275	63-67	PAINT SAVER SET - bumper front & rear, (8pc.)	8.15
NOTE: Paint savers were not originally used but they are a good way to protect your paint.			
B1218	63-67	SPACER - front bumper bolt, (4 req.) (ea)	1.95

Proportioning Valve & Related



B1358	66-67	BOLT - brake-proportioning valve to bracket	3.15
B1166	67	BRACKET - proportioning valve, brake system, w/o HD brakes	28.05
B1162	67	LINE - master cylinder to proportioning valve, front	12.10
B1101	67	LINE - master cylinder to proportioning valve, front, stainless steel	9.60
B1164	67	LINE - master cylinder to proportioning valve, rear	29.25
B1103	67	LINE - master cylinder to proportioning valve, rear, stainless steel	9.60

Rear Bumpers & Related



A1160	63-67	BOLT - bumper brace, 'TR' HM (7/16-14x1-3/8')	GRADE 2	2.65
B1242	63-67	BOLT KIT - rear bumper & bracket attaching, 'M' headmark		25.90
B1266	63-67	BOLT KIT - rear bumper & bracket attaching, (repl.)		19.75
A1205	63-67	BOLT/WASHER KIT - rear bumper/bracket attaching, 'WB' headmark HM., (30 pc.)		20.95
B1209	63	BRACKET - rear bumper, center, LH *		20.90
B1211	63	BRACKET - rear bumper, center, RH *		25.90
B1254	64-67	BRACKET - rear bumper, center, LH		20.50
B1256	64-67	BRACKET - rear bumper, center, RH		20.50
B1217	63	BRACKET - rear bumper, outer, LH *		25.90
B1219	63	BRACKET - rear bumper, outer, RH *		25.90
1963 Bumper Braces are made of heavier gauge steel than the 1964-67 varieties.				
B1246	64-67	BRACKET - rear bumper, outer, LH		24.00
B1248	64-67	BRACKET - rear bumper, outer, RH		24.00
B1213	63	BRACKET - rear bumper, outer, inner, LH *		25.90
B1215	63	BRACKET - rear bumper, outer, inner, RH *		25.90
B1250	64-67	BRACKET - rear bumper, outer inner, LH		20.70
B1252	64-67	BRACKET - rear bumper, outer inner, RH		20.70
B1258	64-67	BRACKET SET - rear bumpers, (8 pc.)		174.95
B1238	63-67	BUMPER - rear, RH		525.00
B1236	63-67	BUMPER - rear, LH		525.00
B1244	63-67	ROD - rear bumper support, center, (2 req.)		.8.65
B1262	66-67	SCREW, NUT & BUMPER SET - rear license plate mount		3.65
B1240	63-67	SHIM - rear bumper mount		2.50
C1207	63-67	WASHER - serrated, bumper bracket to frame, (ea)		1.45

CABLES & RELATED

Tachometer & Speedo Cables With Housings - Original Design

TACH CABLE		63-64 B1400		65-67 B1401	
A3705	63-65	CABLE & HOUSING - fuel injection drive distributor to pump, NOS			83.25
B1405	63-65	CABLE - fuel injection, distributor to pump w/o housing			35.00
A1422	63-67	CABLE - speedo, 4 speed/65-67 auto/ 66 3 speed			21.25

B1416	63	CABLE - speedo, w/gray housing, 57'	21.95
B1413	64	CABLE - speedo, w/ivory housing, 56'	42.00
B1403	65-67	CABLE - speedo, w/black housing, 70'	22.45
B1400	63-64	CABLE - tachometer, w/gray housing, 27'	27.25
B1401	63-67	CABLE - tachometer, w/black housing, 27'	27.25
B2160	63-64E	CABLE - w/knob & nut, odometer reset	47.50
B1411	63-67	GROMMET - speedo & tach cable, 1 hole (63-64 2 req., 65-67 speed/auto speedo snaps into firewall)	8.95
B1412	65-67	GROMMET - speedo or tach cable, 2 hole, (4 speed)	6.00
A1401	63-67	LUBRICANT - speedo or tach cable	3.75
A1409	63-67	LUBRICATOR ADAPTER - for injecting grease into speedo and tach cables	23.30
B1417	63-67	PLUG - for hole above clutch pedal	3.90
B1414	63-67	REPAIR KIT - speedo/tach cable, inner cable w/ends	9.95

Tachometer & Speedo Cables With Housings - Replacements

B1410	63-67	CABLE - speedo, 4-speed, w/housing	27.60
B1404	65-67	CABLE - speedo, auto, 3-speed, w/housing, (60')	17.95
B1402	63-67	CABLE - tachometer, w/black housing, (repl.)	21.75
A1401	63-67	LUBRICANT - speedo or tach cable	3.75
B1414	63-67	REPAIR KIT - speedo/tach cable, inner cable w/ends	9.95

CLOCKS & RECONDITIONING PARTS

B1707	63-64	BEZEL - clock, silver finish, chrome edge	69.85
B1708	65-67	BEZEL - clock, black finish, chrome edge	69.85
B6051	63-67	BULB - clock	1.20
B1706	63-67	CLIP - clock retaining, (2 req.) (ea)	3.10
B1754	63	CLOCK - restored (subject to availability)	CALL
B1756	65-67	CLOCK - NEW	299.95
B1700	63-67	CLOCK MOVEMENT - quartz conversion kit w/instructions	89.95
B1702	63-67	KNOB - clock	11.95
B4214	63-67	LENS - clock	16.30
B1751	63-64	RESTORATION SERVICE - clock w/quartz movement & new lens	149.95
B1753	65-67	RESTORATION SERVICE - clock w/quartz movement & new lens	149.95
B1709	63-67	SPRING - clock stem	3.50
B1703	63-64	STEM/SHAFT - clock knob	11.50
B1705	65-67	STEM/SHAFT - clock knob	9.50
B1701	63-67	TERMINAL, NUT & LOCK WASHER SET - clock	3.00

CLUTCH & BELL HOUSING

Bell Housing & Clutch Assembly

COVER/PLATE		63-67 327, 65 396 B8714		66-67 427 B8713	
A1874	63-67	BALL STUD - clutch fork pivot, on bell housing			15.85

B1855	63-67	BEARING - clutch throw-out	24.95
A1827	63-67	BEARING - pilot type, inserts in crankshaft, (bronze)	3.95
A8751	63-67	BEARING - pilot type, needle style, inserts in crankshaft	16.90
B8763	63	BELL HOUSING - 327, GM #3788421, (recond./original)	135.00
B8771	64	BELL HOUSING - 327, GM #3840383, (recond./original)	125.00
B8764	64-67	BELL HOUSING - 327, GM #3858403, (recond./original)	135.00
B8764	65	BELL HOUSING - 396, GM #3858403, (recond./original)	135.00
B8765	66	BELL HOUSING - 427, GM #3872444, (recond./original)	395.00
B8766	67	BELL HOUSING - 427, GM #3899621, w/GM logo at 12 o'clock position, original, reconditioned	374.95
B8712	66-67	BELL HOUSING - 427, GM #3899621, w/GM logo, replacement for 1966 427	228.95
B8700	63-67	BOLT SET - bell housing to engine, 'M' headmark, (6 pc.)	8.75
A1834	63-66	BOLT/SCREW SET - slotted type, clutch housing inspection cover to bell housing	3.95
B8787	67	BOLT SET - clutch access inspection cover, hex shape, (4 pc.)	4.50
A8707	63-67	BOLT SET - flywheel to crankshaft, (6 pc.)	8.75
A8703	63-67	BOLT SET - pressure plate to flywheel (6 pc.)	9.95
B8747	63-67	BOOT/SEAL - clutch fork, on bell housing	8.95
A1803	63-64	CLUTCH KIT - 327 w/10' clutch disc & 10 spline, (1 1/8')	174.95
B1800	65-67	CLUTCH KIT - 327 w/10 1/2' clutch disc & 10 splines	174.95
B1802	65-67	CLUTCH KIT - 396/427, w/11' clutch disc & 10 splines	199.95

1963-67 Clutch Kits include new: pressure plate, clutch disc, throw-out bearings, and pilot bearings.

B8714	63-67	COVER/PLATE - 327 & 1965 396 bell housing, clutch access,	29.85
B8713	66-67	COVER/PLATE - 427 bell housing, clutch access	30.85
B0357	65-67	FLYWHEEL - (65 396), (67 L-88) original / resurfaced lightweight, 12.5#, 154 tooth, casting #3856579	CALL
B8780	63-67	FLYWHEEL - 327, original, resurfaced, w/o exchange	199.95
B8752	66-67	FLYWHEEL - 427	293.25
B8838	66-67	FLYWHEEL - 427 original, resurfaced	224.95
B8897	63-67	FLYWHEEL - powerglide	65.00

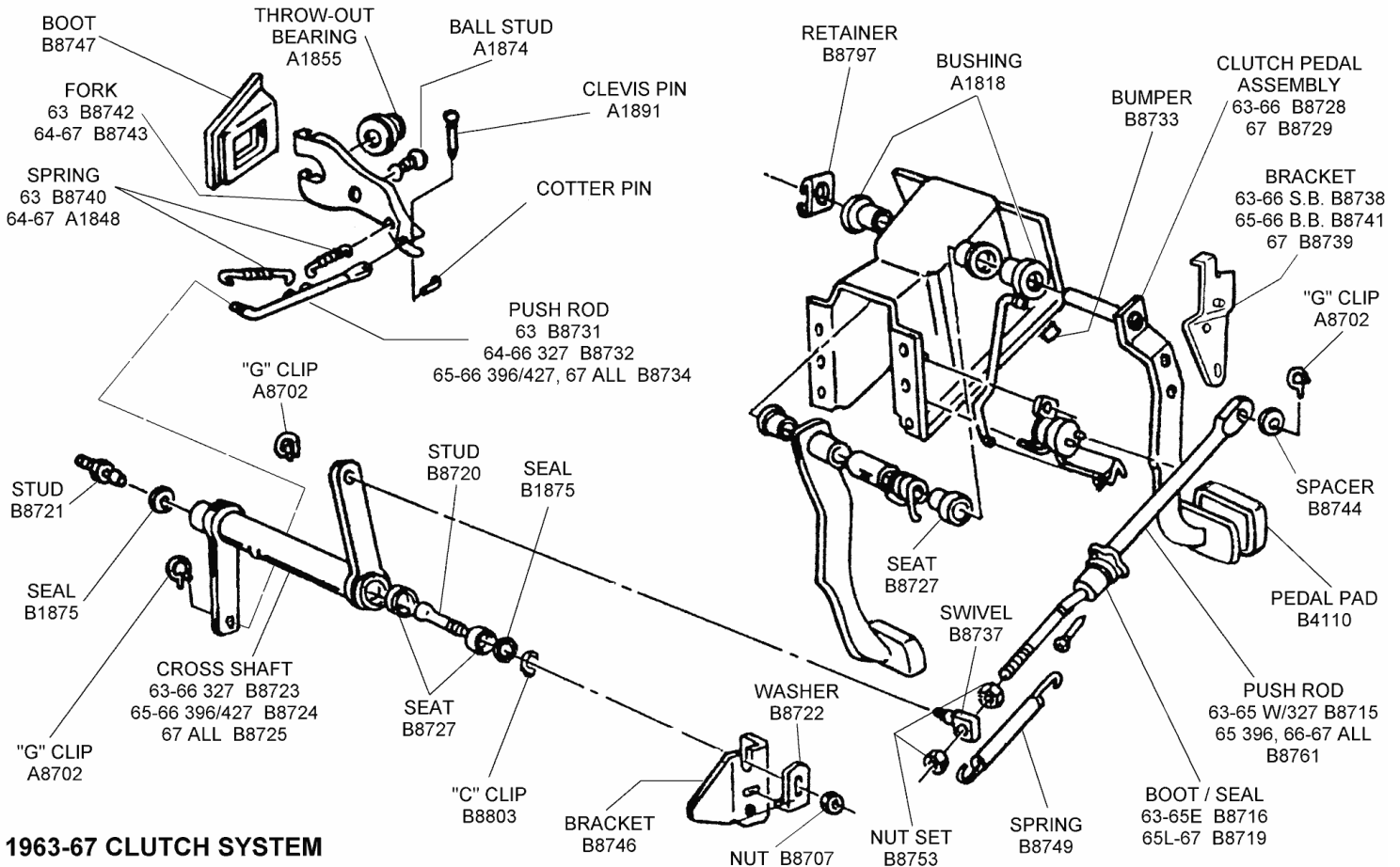
B8742	63	FORK - clutch	108.70
B8743	64-67	FORK - clutch	98.75
A1891	64-67	PIN - clutch fork pivot	1.25
A8705	63-67	RESURFACING SERVICE - your flywheel	69.95
B8788	63-67	RING GEAR - all 327 w/10 1/2' flywheel	31.25
A1800	65-67	RING GEAR - all 396/427 w/11' flywheel	22.45
A8304	63-67	TOOL - clutch alignment	12.95

Clutch Linkage - Engine Compartment

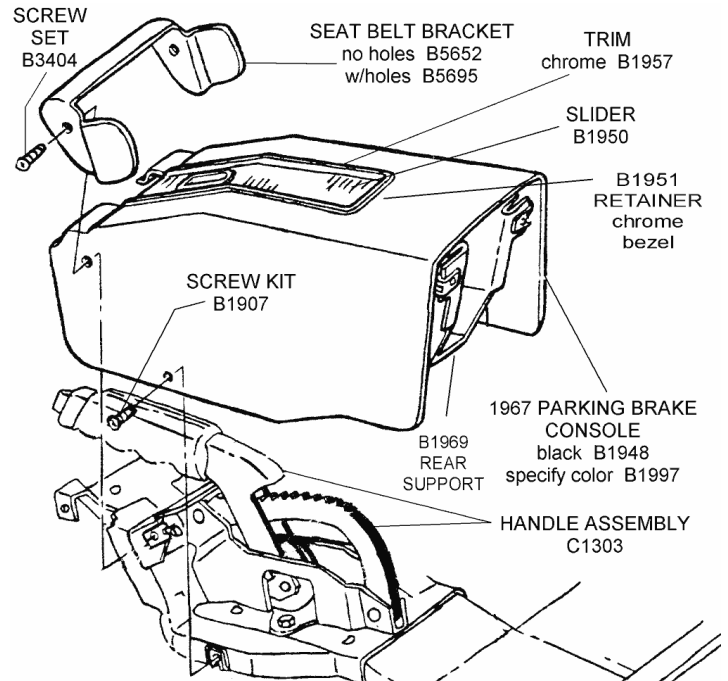
B8746	63-67	BRACKET - clutch pivot frame, welds to frame	16.95
B8750	63-66	BRACKET - clutch return spring, on firewall	.80
B8751	67	BRACKET - clutch return spring, on firewall	.80
B8803	63-67	CLIP - clutch bell crank ball stud retainer, 'C' shape	2.95
A1835	63-67	CLIP - clutch fork repair, spring type	9.30
A8702	63-67	CLIP - shifter rod retainer, 'G' shape	1.00
B8723	63-65	CROSS SHAFT - clutch 327	93.10
B8724	65-66	CROSS SHAFT - clutch 1965 396 & 1966 427	93.10
B8725	66-67	CROSS SHAFT - clutch 66/67 327, 67 427	85.00
B8722	63-67	LOCK WASHER - clutch pivot stud	3.25
B8707	63-67	NUT - clutch pivot stud to frame	1.00
B8753	63-67	NUT SET - clutch pedal push rod swivel, (pr)	1.50
B8777	63-67	PLUG - clutch cross shaft grease fitting hole, red	3.75
B8731	63	PUSH ROD - clutch fork, 327	28.00
B8732	64-65	PUSH ROD - clutch fork, all 327 [10.75' long]	17.10
B8734	65-67	PUSH ROD - clutch fork, 1965 396 & all 1966/7 [9' long]	22.85
B1875	63-67	SEAL - clutch cross shaft, felt, (ea)	6.00
B8727	63-67	SEAT SET - clutch cross shaft, nylon, 2PC	3.95
B8744	63-67	SPACER - clutch pedal push rod	1.20
B8749	63-67	SPRING - clutch return	8.50
B8740	63	SPRING - clutch rod, anti-rattle	6.25
A1848	64-67	SPRING - clutch rod, anti-rattle, 2 required, each	3.80
B8721	63-67	STUD - clutch pivot to engine	16.45
B8720	63-67	STUD - clutch pivot to frame	7.95
B8737	63-67	SWIVEL - clutch pedal push rod	6.25

Clutch Related - Pedal to Firewall

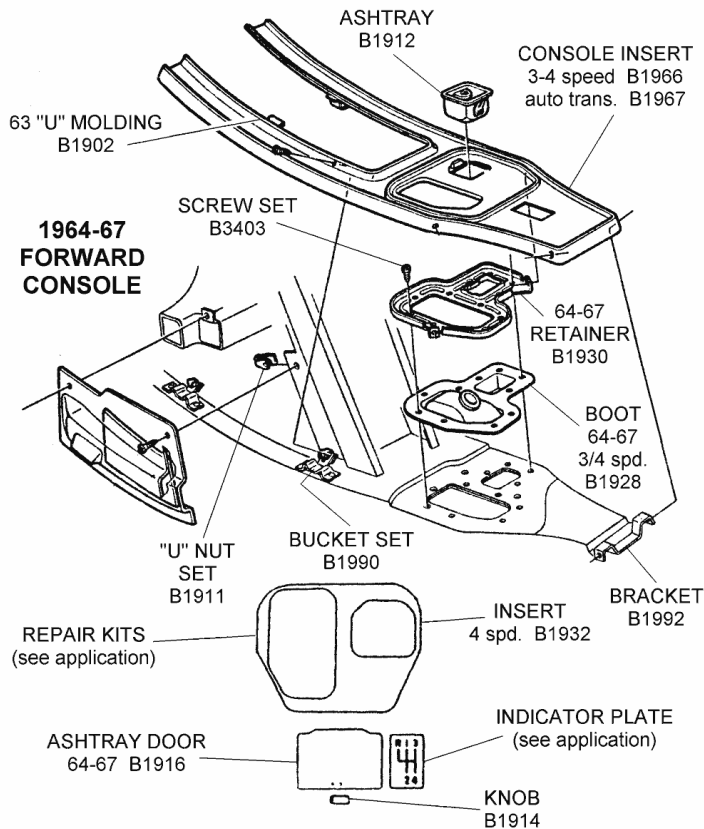
B8961	63-67	BOLT SET - clutch pedal push rod bracket to pedal	2.40
B8716	63-65E	BOOT - clutch rod, at firewall	15.00
B8719	65L-67	BOOT - clutch rod, on firewall	15.00
B8717	63-65E	BOOT - w/retainer & screws clutch rod	19.00
B0535	63-66	BRACKET - brake & clutch pedal support under dash, original, used	125.00



B8739	67	BRACKET - clutch pedal rod, on pedal, w/pin	19.90
B8741	65-66	BRACKET - clutch pedal rod, on pedal, w/pin, 396/427	22.00
B8738	63-66	BRACKET - clutch pedal rod, on pedal, w/pin, w/327	28.05
B8733	63-67	BUMPER - brake & clutch pedal	4.00
A1818	63-67	BUSHING - clutch & brake pedal, (4 req.) (ea)	3.65
A8702	63-67	CLIP - shifter rod retainer, 'G' shape	1.00
B4110	63-67	PAD - clutch pedal, standard, w/o power brakes	5.50
B8728	63-66	PEDAL ASSEMBLY - clutch	82.95
B8729	67	PEDAL ASSEMBLY - clutch w/bracket	93.00
B8715	63-65	PUSH ROD - clutch pedal, (all w/327)	26.90
B8761	65-67	PUSH ROD - 65 w/396, 66-67 327 & 427	26.00
B8797	63-67	RETAINER - brake/clutch pedal shaft, (ea)	4.00
B2950	63-65E	RETAINER KIT - clutch rod boot, w/screws	9.10
B8718	65L-67	RETAINER KIT - clutch rod boot, plate w/rivets & screws	6.50
B8769	65-67	SCREW SET- clutch rod boot to firewall, (3 pc.)	1.50
B8960	63-67	SHAFT - clutch pedal	17.00



CONSOLE - SHIFTER AREA

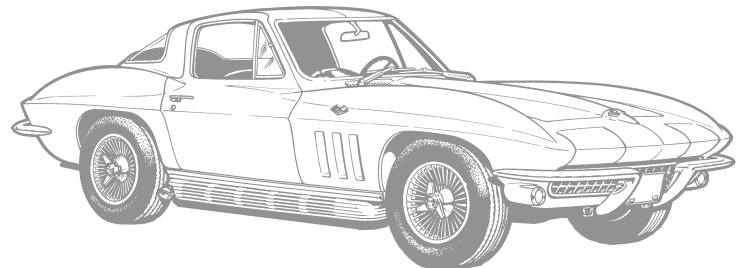


B1962	63	CONSOLE (main plate) - aluminum, w/PW	619.95
B1966	64-67	CONSOLE - 4 speed w/o power windows, paint to match interior	429.95
B1937	64-67	CONSOLE - 4 speed w/ power windows, paint to match interior	429.00
B1967	64-67	CONSOLE - automatic transmission, pre-owned	CALL
B1906	63	CONSOLE EXTENSION SET - aluminum, LH & RH	449.95
B1916	64-67	DOOR & KNOB - ashtray	15.50
B1932	64-67	INSERT - around shifter, manual console	15.65
B6617	63-67	INSULATOR - console, underlayment (under dash/center console)	18.75
B1914	63-67	KNOB - ashtray door	10.30
B1954	65-66	KNOB - fresh air vent (black) & 65 coupe rear blower	8.90
B1952	67	KNOB - fresh air vent on radio side panel, (1 or 2 req.) (ea)	16.75
B1902	63	MOLDING - console, horseshoe shape w/screws	84.45
B1921	63	NUT PLATE - w/rivets, shift boot retainer under tunnel	21.95
B1961	64-67	NUT PLATE - w/rivets, shift boot retainer under tunnel	21.95
B1958	67	NUT SET - brake console slide retainer, (10 pc.)	2.95
B1965	67	NUT SET - parking brake console, rear, 'U' shape, (2 pc.)	1.35
B1911	63-67	NUT SET - radio side panels, 'U' shape, (4 pc.)	1.65
B1963	63	NUT SET - shifter console, 'U' shape, (17 pc.)	5.50
B1994	64-67	NUT SET - shifter console, 'U' shape, (4 pc.)	1.35
B1939	63	PANEL - side, radio console, fiberglass, LH	95.00
B1940	64-66	PANEL - side, radio console, fiberglass, LH	95.00
B1944	67	PANEL - side, radio console, fiberglass, LH	95.00
B1942	63-66	PANEL - side, radio console, fiberglass, RH	95.00
B1946	67	PANEL - side, radio console, fiberglass, w/AC, RH	95.00
B1945	67	PANEL - side, radio console, fiberglass, w/o AC, RH	95.00
B1923	64-67	PLATE - 3 speed trans. shifter indicator	8.25
B1955	63	PLATE - 4 speed trans. shifter indicator	12.00
B1926	64-67	PLATE - 4 speed trans. shifter indicator	7.40
B1920	64	PLATE - auto trans. shifter indicator	33.15

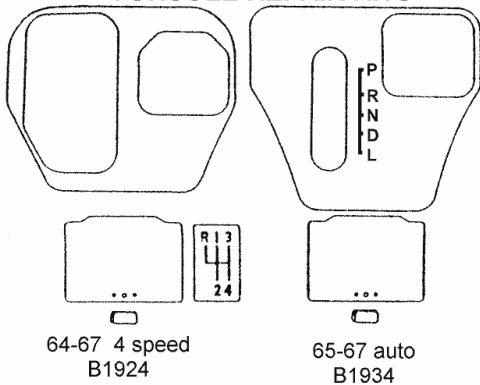
NOTE: For 1965-67 shifter indicator plate, use B1934.

B0007	63	PLATE - auto. Trans, shifter indicator	16.95
B1956	63	PLATE - automatic trans. shifter indicator	15.50
B1922	64-67	REPAIR KIT - 3 speed console	30.70

B1912	63-67	ASHTRAY	13.00
B1959	67	BOLT SET - parking brake console, rear, (2 pc.)	3.45
B1359	67	BOLT SET - parking brake handle assembly, mounting	1.75
B1919	63	BOOT - 3 speed or automatic trans. shifter	50.45
B1910	63	BOOT - 4 speed shifter	25.35
B6579	64	BOOT - automatic shifter, upper	70.00
B1928	64-67	BOOT - 3 & 4 speed shifter	31.05
B1938	65-67	BOOT - lower, automatic transmission shifter	68.00
B1990	63-67	BRACKET - w/rivets, console support on forward side	17.00
B1991	63	BRACKET, RIVETS & NUT PLATE - rear console support, (4 pc.)	21.25
B1992	64-67	BRACKET, RIVETS & NUT PLATE - rear console support, (4 pc.)	21.25
B0006	64-67	CLIP SET - radio side panel support, (pr)	14.70
B1953	63	CONSOLE (main plate) - aluminum, w/o PW	745.95

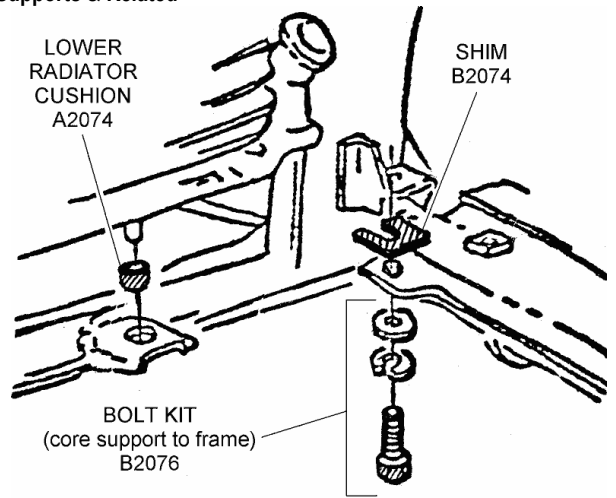


CONSOLE REPAIR KITS

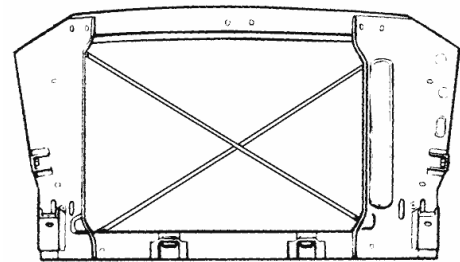
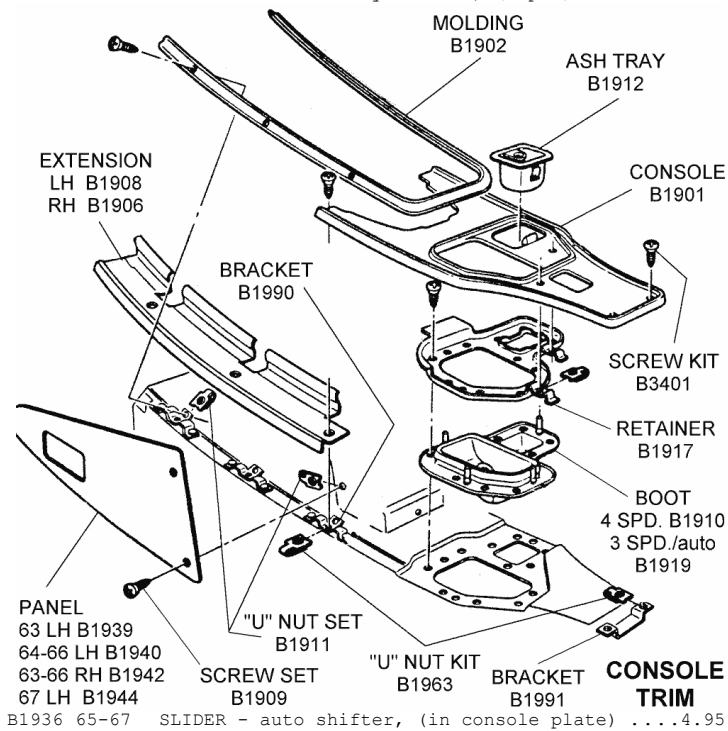


64-67 4 speed B1924	REPAIR KIT - 4 speed console	26.05
NOTE: Console Repair Kits include: Console Plate, Ash Tray Door & Knob and Shifter Indicator Plate.		
B1918 64	REPAIR KIT - auto console	29.25
B1934 65-67	REPAIR KIT - auto console w/shifter slide (console surround not sold separately)	33.20
B1917 63	RETAINER - shifter boot	27.35
B1930 64-67	RETAINER - shifter boot	17.95
B1907 67	SCREW SET - parking brake console, (4 pc.)	3.50
B1909 63-67	SCREW SET - radio side cover panels, 4 pc	5.35
B3404 65-67	SCREW SET - seat belt bracket on console, (2 pc.)	1.65
B3403 63-67	SCREW SET - shift boot retainer, (11 pc.)	7.35
B3401 63	SCREW SET - shifter console, (17 pc.)	4.95
B3402 64-67	SCREW SET - shifter console, (10 pc.)	3.25
B1993 63-67	SLIDE KIT - ash tray runners, (2 pc.)	13.80

Core Supports & Related



B2047 63-67	BOLT & LOCK WASHER SET - radiator support at side, (8 pc.)	4.00
B2076 63-67	BOLT & WASHER KIT - core support to frame	4.95
B0747 63-67	BOLT SET - radiator support, (6 pc.)	6.80
B4961 66-67	BOLT SET - upper core support to rod saddle bracket, w/copper radiator 'TR' headmark, (4 pc.)	11.25
B2109 66-67	BRACKET & REINFORCEMENT - lower, 427, radiator core support (2 req.) (ea) (welds on)	11.50
B3026 66-67	CLIP SET - horn wire, (2 pc.)	3.85
B3025 63-65	CLIP SET - horn wire, (5 pc.)	8.10



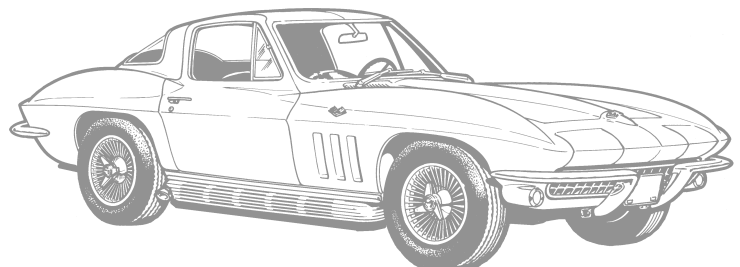
RADIATOR CORE SUPPORT		
B2011 63	CORE SUPPORT - radiator, w/o AC	462.00
B2012 63	CORE SUPPORT - radiator, w/AC	398.35
B2013 63	CORE SUPPORT - radiator, w/FI	399.00
B2014 64-65	CORE SUPPORT - radiator, w/o AC	336.25
B2015 64-65	CORE SUPPORT - radiator, w/ AC, 327	385.00
B2016 64-65	CORE SUPPORT - radiator, w/FI	399.00
B2017 65-67	CORE SUPPORT - radiator, 65 w/396 & 67 w/L88	519.00
B2018 66-67	CORE SUPPORT - radiator, w/o AC, 327	336.25
B2019 66-67	CORE SUPPORT - radiator, w/AC, 327	299.00
B2021 66-67	CORE SUPPORT - radiator, w/AC, 427	339.00
B2020 66-67	CORE SUPPORT - radiator, w/o AC, 427	339.00
B2073 63-67	NUT - radiator support, large Lower Square mounting	8.80
B2024 63-65	REPAIR CHANNEL - lower core support w/bracket, 327/396	99.00
B2026 66-67	REPAIR CHANNEL - lower core support w/bracket, 327	111.75
B2944 66-67	SEAL KIT - radiator core support, 327 w/AC	11.60
B2946 66-67	SEAL KIT - radiator core support, 427 w/AC, (3 pc.)	16.75
B2074 63-67	SHIM - core support, (ea)	3.50
B2023 63-65	STRAP - radiator support, F.I.	7.00
B2113 63-65	STRAP SET - radiator core support cross rods, (pr)	8.80

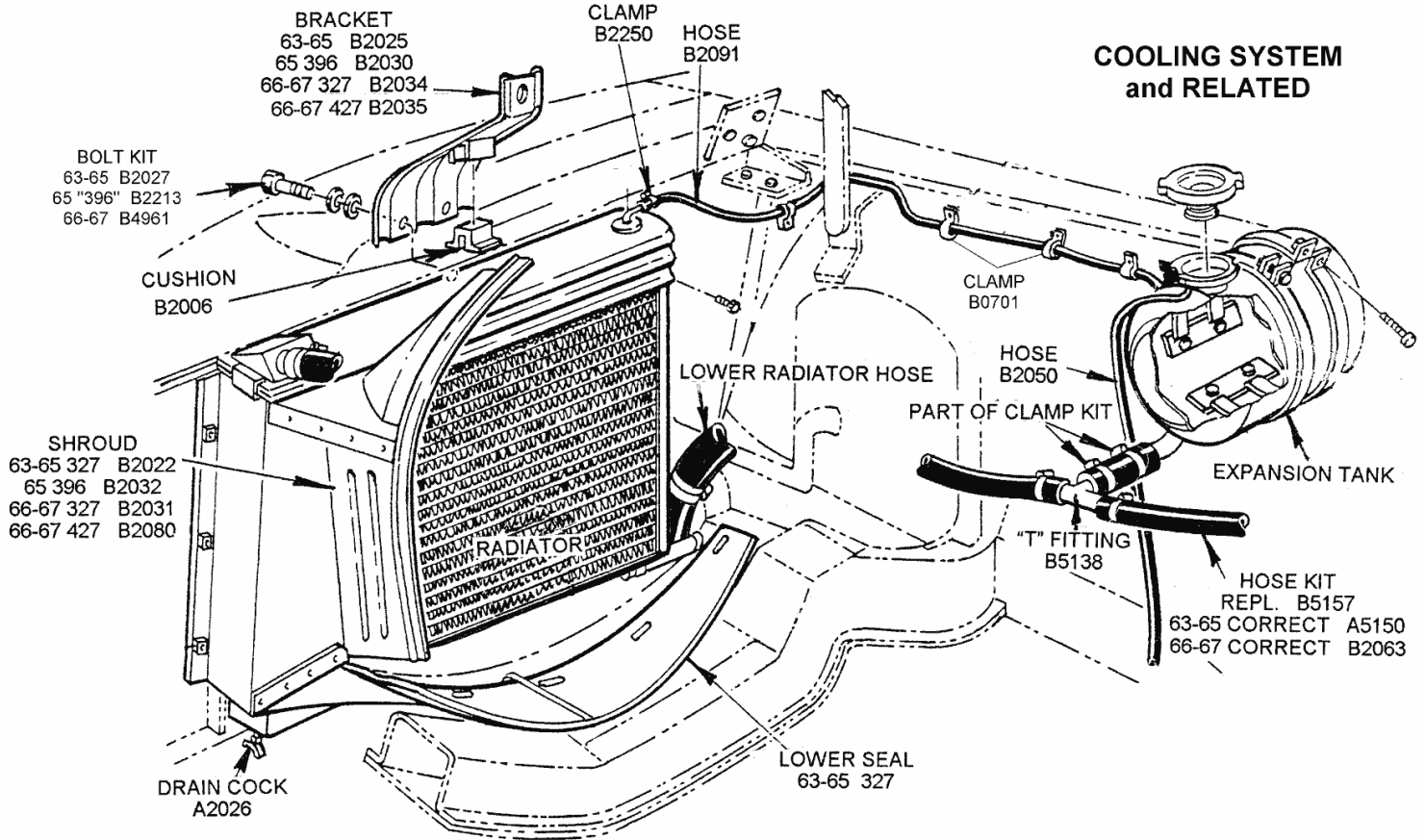
COOLING SYSTEM

Clamp Sets-Radiator & Heater Hose

Sets include all radiator and heater hose clamps.

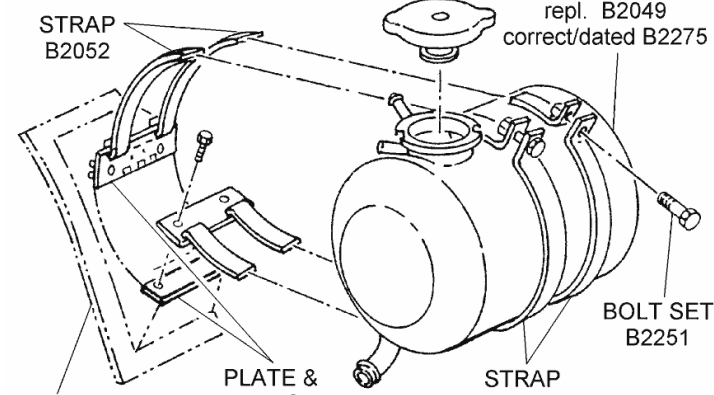
B2070 63-67	CLAMP KIT - hoses, 327, w/AC, hi-perf., (16 pc.)	28.25
B2071 65	CLAMP KIT - hoses, 396 only, (16 pc.)	29.15
B2072 66-67	CLAMP KIT - hoses, 427, (12 pc.)	28.25
B2069 63-67	CLAMP KIT - hoses, w/o AC or hi-perf., (14 pc.)	33.60
A2057 61-62	CLAMP KIT - upper & lower radiator hoses, dated 1 or 4Q, specify (4pc)	55.55





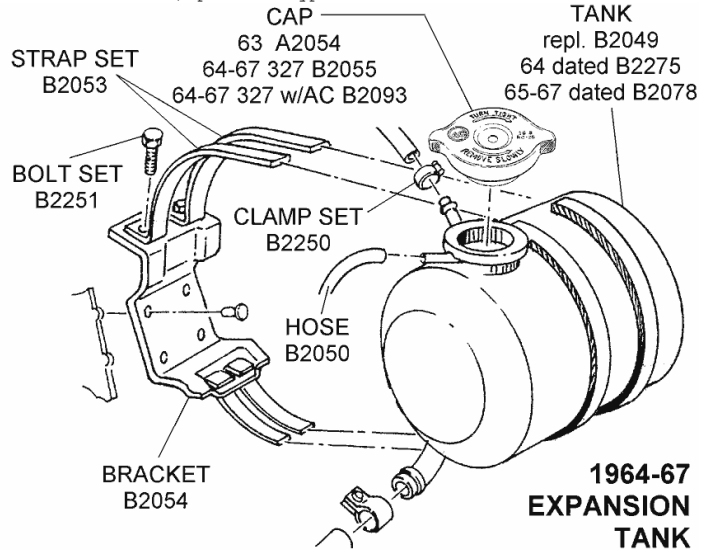
Expansion Tank

1963 EXPANSION TANK



B2251	63-67	BOLT SET - expansion tank straps, 'EL' headmark, (pr)	6.65
B2276	63-67	BOLT SET - expansion tank straps, (repl.) (pr)	1.75
B2054	64-67	BRACKET - expansion tank on inner fender	12.40
B2079	63	BRACKET/SUPPORT - expansion tank, on inner fender, fiberglass white, PM	37.00
B0009	63	BRACKET/SUPPORT KIT - w/retainer plates, expansion tank on inner fender, white fiberglass, PM	49.95
A2054	63	CAP - expansion tank, AC # 307	45.30
B2055	64-67	CAP - expansion tank, w/ 327, w/o AC, AC # 307, (correct)	44.40
B2093	64-67	CAP - 327 radiator, RC26, w/AC & L88	47.50
A2058	63-67	CAP - radiator (aluminum), 151b., (repl.) ..	14.15
B2057	66-67	CAP - radiator, 427, w/o L88, RC15, all w/brass radiator	46.56
C2014	63-67	CAP - w/copper radiator, AC RC15, (repl.) ..	49.95
B2250	63-67	CLAMP SET - hose, expansion tank to radiator, (pr)	12.45
B1929	64-67	CLAMP SET - overflow tank to heater hose 'T' connector	3.74
B5138	63-67	CONNECTOR - heater hose, w/327 & 396, 'T' shape	11.95
B2050	63-67	HOSE - expansion tank overflow, ribbed, 36' ..	6.50
B2091	63-67	HOSE - expansion tank to radiator w/blue GM logo	14.50

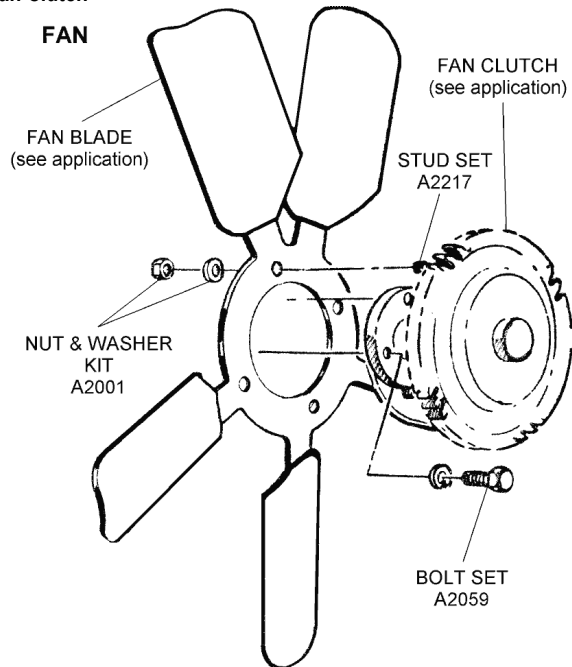
B2051	63-67	HOSE - expansion tank to radiator, (repl.) ..	7.50
B2081	63	PLATE & RIVET KIT - expansion tank retainer on fiberglass bracket	16.75
A2027	63-67	REPAIR KIT - expansion tank tube, (3 pc.) ..	23.85
B1933	64-67	RIVET SET - expansion tank bracket to inner fender, (4 pc.)	1.30
B1931	66-67	STRAP SET - 427 radiator overflow hose, (pr) ..	3.35
B2052	63	STRAP SET - expansion tank, (4 pc.)	17.60
B2053	64-67	STRAP SET - expansion tank, w/bolts, (pr) ..	16.85
B0701	63-67	STRAP/CLAMP - inner skirt for overflow hose, push-in type	2.25



B2275	63-64	TANK - expansion #3155416, correct pressed in tubes, dated (specify date) (1-2 week delivery)	179.95
B2078	65-67	TANK - expansion #3155416, correctly dated w/welded tubes, (specify date) (1-2 week delivery)	179.95
B2049	63-67	TANK - expansion, (GM repl.)	159.95

VISIT US ON THE WEB AT
www.ChicagoCorvette.net

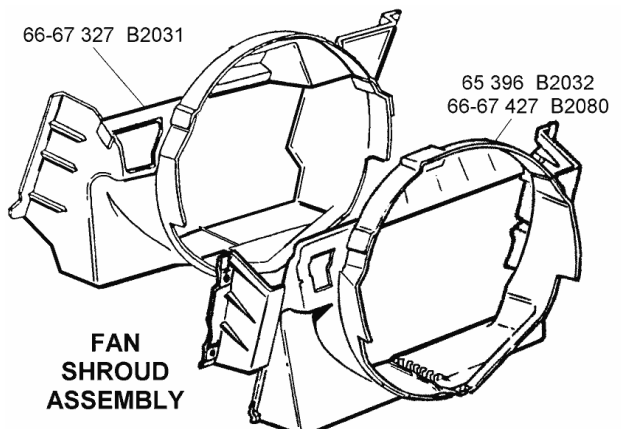
Fan & Fan Clutch



A2059	63-67	BOLT SET - fan clutch to water pump, 'Delta' headmark, (4 pc.)	8.25
A2097	63-67	CLUTCH - fan, 327, thermal, (original type) (repl.)	48.95
A2096	65-67	CLUTCH - fan, 327/396/427, non-thermal (repl.)	39.95
A2062	63-67	CLUTCH - fan, thermal, oem manufacturer	134.00
A2060	63-67	FAN BLADE - replacement, 327 W/O 5 blade, w/o AC, GM	119.75
B2232	63-64E	FAN BLADE - 327 W/O AC - correct reproduction, round head rivets 17 1/8' 25 degree pitch w/ H stamping on front	250.00
B2234	63-64E	FAN BLADE - 327 W/O AC, replacement, round head rivets 17 1/8' 25 degree pitch w/o H stamping on front, weighted blade	175.00
B2236	64L-67	FAN BLADE - 327 W/O AC - correct reproduction, FLAT head rivets 17 1/8', 25 degree pitch w/ H stamping on front	225.00
B2237	64L-67	FAN BLADE - 327 W/O AC - replacement, flat head rivets 17 1/8' 25 degree pitch w/o H stamping on front	109.00
B2235	63-64E	FAN BLADE - 327 W/AC - correct reproduction, round head rivets 17 1/8' 34.5 degree pitch w/ H stamping on front	250.00
B2229	64L-65	FAN BLADE - 327 W/AC - correct reproduction, 7 blade, flat head rivets 18' 25 degree pitch w/ H stamping on front	250.00
B2231	66-67	FAN BLADE - 327 W/AC - correct reproduction, 5 blade, flat head rivets 18' 25 degree pitch w/'H' stamping on front	225.00
B2075	65	FAN BLADE - 396/425HP, 5 blade 17' 34.5 degrees pitch / correct	225.00
B2230	66-67	FAN BLADE - 427, 5 blade, w/o AC, 17 1/2' / correct reproduction, w/'H' stamped on front	235.00
B2068	66-67	FAN BLADE - 427, 5 blade, w/o AC, 17 1/2' / replacement, no 'H'	196.10
A2001	63-67	NUT & WASHER KIT - fan to clutch, (8 pc.)	1.85
A2217	63-67	STUD SET - fan to fan clutch, (4 pc.)	6.00

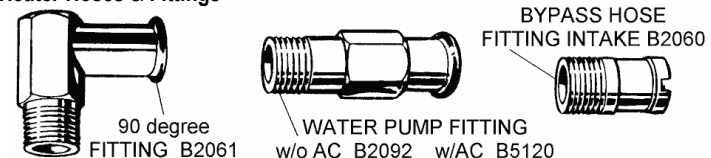
Fan Shrouds

B2216	66-67	BOLT & U NUT KIT - air conditioning fan shroud extension	3.25
B2048	63-65	BOLT & WASHER KIT - fan shroud top bracket hardware, 'WB' headmark, 327	3.15
B2027	63-65	BOLT & WASHER KIT - fan shroud top bracket to core support, 'WB' headmark, (6 pc.)	5.00
B2253	66-67	BOLT & WASHER KIT - fan shroud top bracket, 'WB' hm, (327/427) (4 pc.)	5.65
B2213	65	BOLT & WASHER KIT - fan shroud top bracket, 396	5.00
B2918	63-67	BOLT - fan shroud, 'WB' headmark, (ea)	1.25
B4961	66-67	BOLT SET - upper core support to rod saddle bracket, w/copper radiator 'TR' headmark, (4 pc.)	11.25
B2025	63-65	BRACKET - fan shroud/radiator top mounting 327	27.35
B2034	66-67	BRACKET - fan shroud top mounting, 327	20.70
B2030	65	BRACKET - fan shroud top mounting, 396 & 67 L88	32.85
B2035	66-67	BRACKET - fan shroud top mounting, 427	24.10



B2009	66-67	CUSHION/INSULATOR - upper and lower radiator mount, 427 (4 req.) (ea)	4.10
B2206	66-67	EXTENSION - fan shroud 327 w/AC, (fiberglass/pm)	87.55
B2044	66-67	EXTENSION - fan shroud 427 w/AC, (fiberglass/pm)	95.00
A0073	63-67	PAINT - radiator, increases cooling	13.75
B2934	63-65	SEAL - lower fan shroud, 327, w/staples	11.75
B2942	66-67	SEAL - 327/427 w/AC upper radiator support	27.95
B2938	65	SEAL - air dam support, upper, 396	14.65
B2066	66-67	SHROUD - fan, LH section 327, (fiberglass/pm)	134.95
B2067	66-67	SHROUD - fan, RH section 327, (fiberglass/pm)	134.95
B2094	66-67	SHROUD - fan, top section 327, (fiberglass/pm)	119.95
B2099	66-67	SHROUD - fan, LH section 427, (fiberglass/pm)	134.95
B2200	66-67	SHROUD - fan, RH section 427, (fiberglass/pm)	134.95
B2201	66-67	SHROUD - fan, top section 427, (fiberglass/pm)	119.95
B2295	63-65	SHROUD ASSEMBLY - fan, 327 metal pre owned original	449.95
B2031	66-67	SHROUD ASSEMBLY - fan, 327, (fiberglass/pm) assembled	385.00
B2032	65	SHROUD ASSEMBLY - fan, 396, (fiberglass/pm) assembled	385.00
B2080	66-67	SHROUD ASSEMBLY - fan, 427, (fiberglass/pm) assembled	385.00
B2254	66-67	'U' NUT - fan shroud, (4 pc.)	2.40

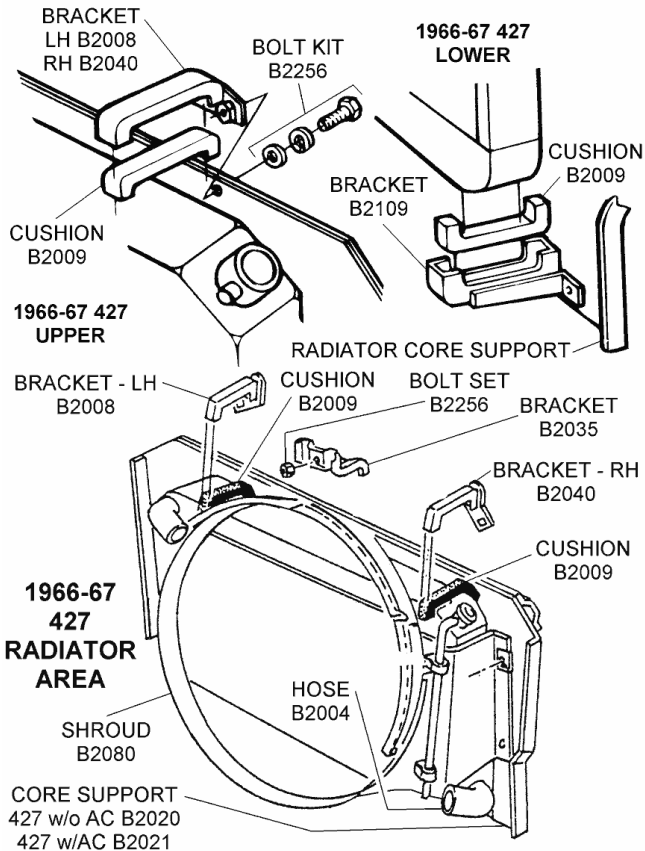
Heater Hoses & Fittings



B5124	63-67	BRACKET - heater hose, on alternator	12.90
B1988	63-67	CLAMP SET - bypass hose, 327, (pr)	2.60
B1949	65-67	CLAMP SET - bypass hose, 396/427, (pr)	8.80
B5138	63-67	CONNECTOR - heater hose, w/327 & 396, 'T' shape	11.95
A5156	63-67	FITTING - heater hose on intake, 1/2' NPT, 5/8' hose, all	12.95
B2060	63-67	FITTING - intake manifold nipple w/special hi-perf	9.70
B2255	63-67	FITTING - w/hose, intake manifold	7.25
B2041	63-67	FITTING - water pump, 20 degree nipple, w/sp. hi-perf, by-pass, stamped with 'CP' logo as original on production Corvettes	31.45
B2061	63-67	FITTING - water pump, 20 degree nipple, w/sp. hi-perf, by-pass	20.65
B5120	63-67	FITTING - water pump for heater hose on w/AC 327/350, correct	14.70
B5122	63-67	HOSE - bypass, intake to water pump, 327 hi-perf, w/GM logo	8.75
B2095	65-67	HOSE - bypass, intake to water pump, 396/427	7.95
B2033	66-67	HOSE - bypass, intake to water pump, w/427 & A.I.R. #3882829	22.45
A5150	63-65	HOSE KIT - heater, w/GM logo, (red logo on 3/4 hose only)	50.95
B2063	66-67	HOSE KIT - heater, w/GM logo, (white logo on 5/8' hose)	48.75
B9160	66-67	PIPE - 90 degree 427 w/A.I.R., water pump to manifold, top of pump	28.95
B2062	65-67	PIPE - water pump & manifold bypass, 396/427 stainless steel, except A.I.R.	6.75

A8313 63-67 PLIERS - hose clamp removal42.45

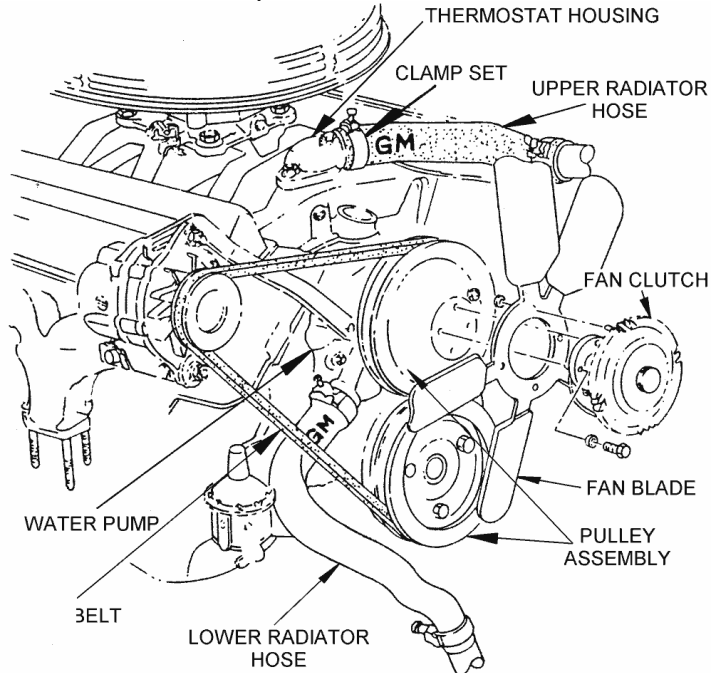
Radiator & Related



- B0747 63-67 BOLT SET - radiator support, (6 pc.)6.80
- B2256 66-67 BOLT/WASHER SET - upper radiator support bracket, 4275.65
- B2008 66-67 BRACKET - upper radiator support, 427, LH ...17.95
- B2040 66-67 BRACKET - upper radiator support, 427, RH ...17.95
- B2057 66-67 CAP - radiator, 427, w/o L88, RC15, all w/brass radiator46.56
- B3025 63-65 CLIP SET - horn wire, (5 pc.)8.10
- B3026 66-67 CLIP SET - horn wire, (2 pc.)3.85
- A2074 63-67 CUSHION - radiator lower/rubber, 327, (3 req) (ea)2.50
- B2006 63-67 CUSHION - radiator upper, 327/350, 1965 396 .5.00
- B2009 66-67 CUSHION/INSULATOR - upper and lower radiator mount, 427 (4 req.) (ea)4.10
- A2026 63-67 DRAIN COCK - aluminum radiator, (correct) (327/396)17.95
- A2069 63-67 DRAIN COCK - copper radiator, (427 & all brass repl.)12.00
- B2004 66-67 HOSE - 427 radiator overflow6.15
- B2209 66 PLUG - 327 aluminum radiator drain8.65
- B2211 66 PLUG - 427 brass radiator drain4.60
- B2257 63-67 RADIATOR - 327, aluminum, cosmetically not the same as original, increases cooling capacity over brass replacement775.80
- B2215 63-67 RADIATOR - 327, correct aluminum reproduction, dated879.00
- B0043 65-67 RADIATOR - 396 & 1967 L88 aluminum reproduction identical to original, specify date required899.95
- B2002 65 RADIATOR - 396 brass replacement335.75
- B2046 65-67 RADIATOR - 396/ 67 L88 aluminum repro.(not identical to original)789.70
- B1964 66-67 RADIATOR - 427 w/AT, w/ or w/o AC, (Delco repl.)667.40
- B0883 63-67 RADIATOR - 327 aluminum, manual trans., non-AC, repl.681.05
- B2003 66-67 RADIATOR - 427, (brass replacement, all trans. types)412.80
- B2056 66-67 RADIATOR - 427 w/manual transmisson, aluminum replacement12.00
- B2001 63-67 RADIATOR - brass replacement, (small block) 389.95
- B0041 63-67 RADIATOR - brass, hi-efficiency (repl)495.70
- B2348 63-67 STAMP KIT - '16 CT' radiator inspection, w/32721.25
- B2281 65 STAMP KIT - '06ACG' radiator inspection, w/39628.35
- B2282 67 STAMP KIT - '06AMG' radiator inspection, w/L8820.70

- B2207 66-67 STRAP SET - radiator, overflow hose, 427, (pr)2.60
- B2283 66-67 TAG - 427 brass radiator w/4 speed, MK #300856715.95
- B2284 66-67 TAG - 427 brass radiator w/auto trans., MJ #300856615.95

Radiator Hoses - Generic Replacements



- B2098 63-65 HOSE - lower radiator, 32719.85
- B2088 66-67 HOSE - lower radiator, 32728.95
- B2010 63-65 HOSE - upper radiator w/o AC, w/o F.I., w/o spec. HI-Perf.14.05
- B2037 63-67 HOSE - upper radiator, 327 w/ac16.00
- B2059 66-67 HOSE - lower radiator, 42721.65
- B2058 66-67 HOSE - upper radiator, 42715.95

Radiator Hoses With GM Logo & Part Number

- B2084 63-65 HOSE - lower radiator, 327, #383217039.20
- B2089 66-67 HOSE - lower radiator, 327, #388715530.45
- B2086 65 HOSE - lower radiator, 396, #387678237.00
- B2085 66-67 HOSE - lower radiator, 427, #388282633.65
- B2082 63-65 HOSE - upper radiator, 327-250/300hp w/AC #383301635.90
- B2083 63-65 HOSE - upper radiator, 327-250/300hp w/o AC #382736628.05
- B2038 63-65 HOSE - upper radiator, 327-340/375hp #382736829.30
- B2090 66-67 HOSE - upper radiator, 327-300hp, #3887154 .28.05
- B2097 66-67 HOSE - upper radiator, 327-350hp, #3887156 .28.05
- B2036 65 HOSE - upper radiator, 396, #387968039.25
- B2087 66-67 HOSE - upper radiator, 427, #390661535.90

Temperature Sender

- A2006 63-67 BRACKET SET - temperature wire on valve cover, (pr)8.00
- B2056 63-67 REPAIR KIT - engine harness, temperature sender wire (green), w/terminal, connector & loom12.00
- A1976 63-67 SENDING UNIT - temperature in intake, w/AC logo as original29.95
- A2002 63-67 SENDING UNIT - temperature, (repl.)8.00

Water Outlet / Thermostat Housing & Related

- B2204 65-67 BOLT SET - water outlet, 'CP' headmark, (also used on '67 L88)6.75
- A2039 63-67 BOLT SET - water outlet, 'TR' headmark, 63-65 327 w/o hi-perf & 396, 66-67 327 special hi-performance6.70
- B2205 66-67 BOLT SET - water outlet, exc. 350hp, 'TR' headmark5.65
- A2003 63-67 GASKET - thermostat housing/water outlet2.25
- A2034 63-67 HOUSING - thermostat, 63-65 250/300 hp., 66-67 w/spec. hi-perf., 65 396/425hp, 66 427 w/AIR, 67 L88, (GM repl.)30.75
- B1989 63-67 HOUSING - thermostat, GM #3827369, 63-65 250/350hp, 66-67 350hp, 65 '396', 66 '427' w/A.I.R., 67 L88, recond. original89.95

B2208	63-67	HOUSING - thermostat, GM #3827369, 63-65 250hp, 66-67 350hp, 65 '396', 66 '427' w/A.I.R., 67 'L88', (reprod.)	59.40
B2042	63-65	HOUSING - thermostat, 327 340/375hp, GM #3827370 w/gasket	65.00
B2210	66-67	HOUSING - thermostat, w/o 327/350hp & L88, exact reproduction) casting # 3877660	54.95
B2045	65	SPACER - thermostat housing, 1965 396 / 1967 L88	30.00
A2038	63-65	STUD SET - thermostat housing, w/spec. hi-perf. FI, (SS) (pr)	12.70
A2025	63-67	THERMOSTAT - 160 degree	6.95
A2037	63-67	THERMOSTAT - 180 degree	6.95
A2000	63-67	THERMOSTAT - 195 degree	6.95

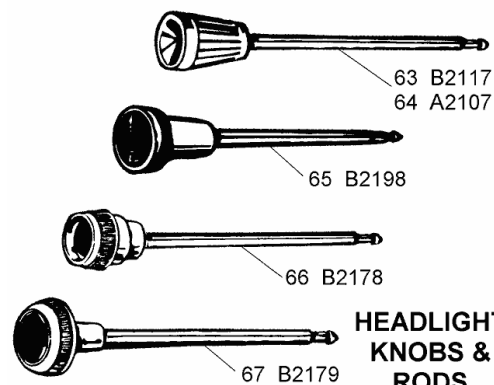
DASH: GAUGE CLUSTER AREA, GLOVE BOX & HEATER/RADIO CONTROLS

Cluster Area

How To Remove and Install Instrument Cluster

1. Disconnect battery.
2. Remove cowl vent control cable brackets and the headlamp panel control switch from instrument cluster.
3. Remove tripodometer knob and nut. (Push cable out of holder.)
4. Remove steering column. (Disconnect wiring harness connector.)
5. Remove pull rod and nut from headlamp switch.
6. Remove ignition switch cylinder and retainer.
7. Remove instrument cluster-to-dash retaining screws and pull cluster assembly slightly forward to obtain clearance for removal of speedometer cable, tachometer cable, tripodometer cable, cluster ground wire, gauge connectors and remaining indicator and illumination lamps. Disconnect oil pressure line at oil pressure gauge. Remove hex head screw holding capacitor and bracket.
8. Carefully pull cluster out, making sure that everything is disconnected.
9. To install cluster in dash panel, reverse removal procedure.

B6051	63-67	BULB - directional signal indicator or dash illumination lights, (ea)	1.20
A6019	63	BULB - headlight beam indicator, ignition switch or cigarette lighter light, (ea)	1.00
B6052	64-67	BULB - headlight beam indicator, cigarette lighter or ignition switch light, (ea)	1.20
A6035	63-67	BULB - headlight motor warning, blinking	2.20
B2160	63-64E	CABLE - w/knob & nut, odometer reset	47.50
B0014	64L-67	CABLE - w/knob & nut, odometer reset, (brass body)	46.55
B7155	63-67	CAPACITOR - on dash rear, near ignition switch	29.35
B9640	63-67	CLIP - lower, inside windshield molding, (4 req.) (ea)	6.90
C8685	65-67	CLIP - turn signal flasher	6.95
B9691	65-67	CLIP - windshield washer hose, LH female hood lock	1.60
B8025	63	COLLAR - steering column at dash	87.95
B7907	64-66	COLLAR - steering column at dash	86.25
B8029	67	COLLAR - steering column at dash	62.50
B4910	63-67	CONNECTOR - headlight door opening switch, w/leads	16.55
B2171	63-67	ELEMENT - cigarette lighter	11.85
B2153	63-67	FILTER SET - dash bulbs, 2 green turn signal, 1 red brake light	33.75
B9970	66	FLASHER SYSTEM - 4 way, with harness & knob & flasher, original	224.95
B2166	63-67	HOUSING KIT - lighter, female/in dash w/retainer, (2 pc.)	16.00
B8027	63	INSULATOR & RETAINER SET - steering column collar	13.00
B8028	64-67	INSULATOR & RETAINER SET - steering column collar	13.00
B1954	65-66	KNOB - fresh air vent (black) & 65 coupe rear blower	8.90
B9092	63	KNOB - headlight switch, w/rod	31.40

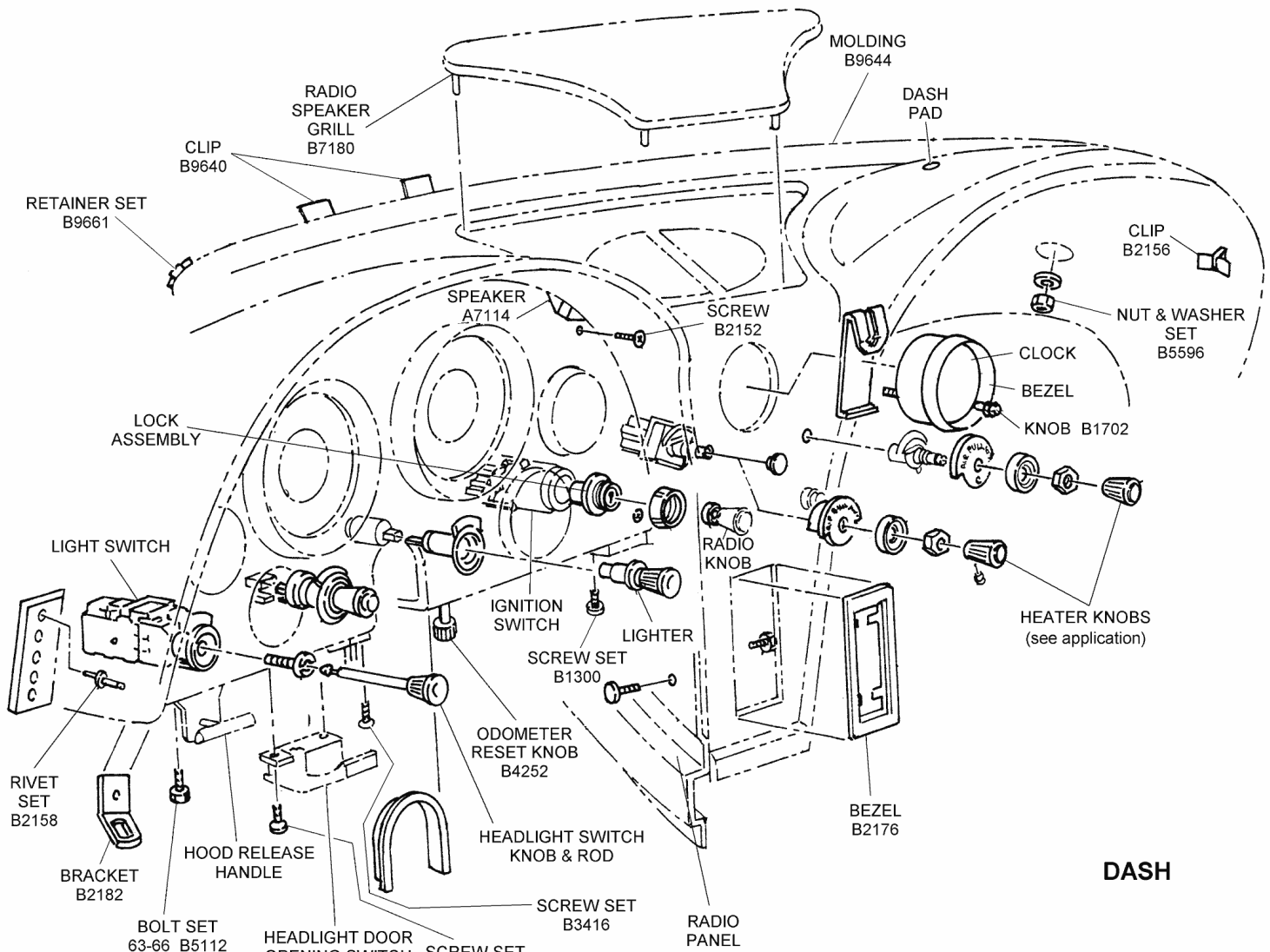


A2107	64	KNOB - headlight switch, w/rod	27.85
B2198	65	KNOB - headlight switch, w/rod	23.95
B2178	66	KNOB - headlight switch, w/rod	24.65
B2179	67	KNOB - headlight switch, w/rod	31.39
B4252	63-67	KNOB - trip odometer reset	3.15
B2217	63-64	KNOB - wiper switch	31.95
B2187	65	KNOB - wiper switch	22.00
B2192	66	KNOB - wiper switch	27.25
B2194	67	KNOB - wiper switch	22.85
B4212	63-67	LENS - trip odometer	13.65
A2172	63-64	LIGHTER - cigarette, w/element	29.95
B2151	65	LIGHTER - cigarette, w/element	27.45
B2168	66	LIGHTER - cigarette, w/element	33.60
B2170	67	LIGHTER - cigarette, w/element	27.00
B8611	63-67	NUT - headlight switch	18.00
A2116	63-65	NUT - ignition switch	14.60
B2174	66-67	NUT - ignition switch	13.20
B2121	63-67	NUT - odometer reset cable, on dash	6.95
B2181	63-67	NUT - wiper switch	4.75
B2154	63-67	NUT SET - dash cluster retainer, 'U' shape, (5 pc.)	4.85
B2152	63-67	SCREW SET - dash cluster, (5 pc.)	4.95
B3415	63-67	SCREW SET - headlight door open switch, on dash, w/nuts, (4 pc.)	2.75
B7912	63-67	SCREW SET - horn contact, (6 pc.)	3.45
B3416	63-67	SCREW SET - steering column collar at dash, (2 pc.)	2.65
B2193	63-64	SCREW SET - vent cable, (2 pc.)	1.65
B2191	65-67	SCREW SET - vent cable, (2 pc.)	2.65
B2926	63-67	SEAL - fuse block on firewall	4.35
B2175	63-67	SHADE - cigarette lighter bulb, green	10.00
A2115	63-67	SHIELD - cigarette lighter bulb	11.40
B2180	63-67	SWITCH - w/bezel, headlight door opening, on dash	110.35
A2179	63-65	WRENCH - ignition switch nut	7.95
B2120	66-67	WRENCH - ignition switch nut	8.45

General

B2182	63-67	BRACKET - courtesy light	9.70
A6027	63-67	BULB - courtesy light	1.20
A6027	63-67	BULB - courtesy light	1.20
B5154	67	CABLE ASSEMBLY - fresh air vent, LH	32.50
B5156	67	CABLE ASSEMBLY - fresh air vent, RH	32.50
B5167	63-64	CABLE ASSEMBLY - fresh air vent, w/knob & bracket, LH	62.95
B5169	65-66	CABLE ASSEMBLY - fresh air vent, w/knob & bracket, LH	89.25
B5168	63-64	CABLE ASSEMBLY - fresh air vent, w/knob & bracket, RH	67.20
B5166	65-66	CABLE ASSEMBLY - fresh air vent, w/knob & bracket, RH	59.50
B5152	63-64	CABLE ASSEMBLY KIT - fresh air vent, w/knob & bracket, (pr)	99.95
B5153	65-66	CABLE ASSEMBLY KIT - fresh air vent, w/knob & bracket, (pr)	129.95
B2156	63-67	CLIP - dash pad, (13 req.) (ea)	3.50
B2127	63-67	CLIP - hood release cable to vent cable retainer	5.85
B9640	63-67	CLIP - lower, inside windshield molding, (4 req.) (ea)	6.90
B8656	65-67	CLIP - turn signal flasher	5.80
B0077	63-67	CLIP SET - antenna cable/underdash	3.75
B2131	63-66	DOOR - fresh air vent, w/rubber seal installed	44.95
B2133	67	DOOR - fresh air vent, w/rubber seal installed	48.25
B5838	63-67	GRILLE - inside fresh air vent, LH	64.95
B5839	63-67	GRILLE - inside fresh air vent, RH	61.25
B1954	65-66	KNOB - fresh air vent (black) & 65 coupe rear blower	8.90
B9644	63-67	MOLDING - coupe/convertible, lower inner windshield above dash (used)	225.00
B5596	63-66	NUT & WASHER SET - dash pad, (4 pc.)	1.00



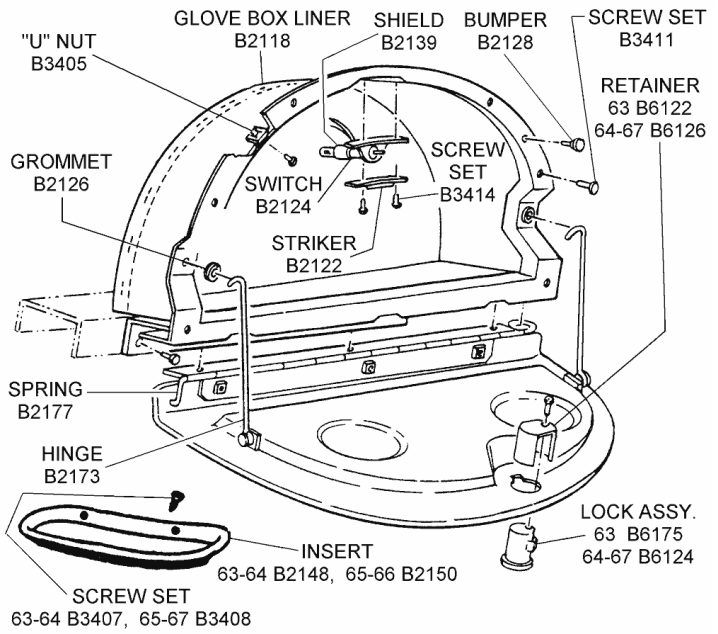


DASH

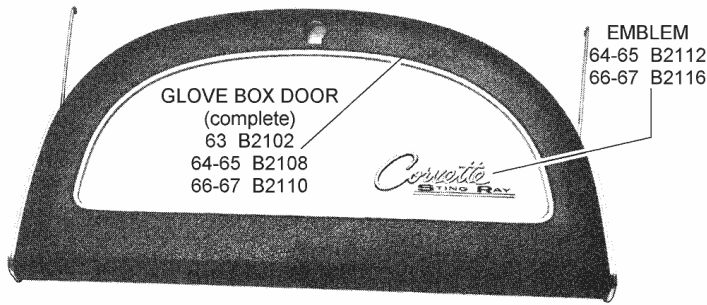
- B9661 63-67 RETAINER SET - lower inside windshield molding end, (pr)11.75
- B2129 63-67 RETAINER SET - vent cable, (pr)1.00
- B2158 63-67 RIVET SET - dash pad to door jam, black, (10 pc.)5.75
- B2189 63-67 SCREW & 'U' NUT SET - dash mounting on fiberglass21.05
- B5106 63-67 SEAL KIT - fresh air vent door, w/rivets, does 2 doors11.50
- B2197 63-67 SHIELD/COVER - green, A/C light socket metal holder, (ea)3.25

Glove Box Area

- B2425 63-67 BAG - for license plate hardware, hard top wrench & washers, Z06 bolts, (1 or 2 req.) (ea) 5.75
- A6023 63 BULB - glove box light, (ea)1.20
- B6058 64-67 BULB - glove box light, (ea)1.20
- B5174 63-64 CABLE - vent, LH, w/AC79.95
- B5175 65-66 CABLE - vent, LH, w/AC79.95
- B5133 65 CABLE ASSEMBLY - rear blower vent w/air130.00
- B5131 65 CABLE ASSEMBLY - rear blower vent w/o air124.00
- B6131 64-67 CASE, CYLINDER & BEZEL - glove box lock13.95
- B2324 66 DECAL - air pressure, for tires3.65



- B2325 67 DECAL - air pressure, for tires3.65



B2102	63	DOOR ASSEMBLY - glove box, complete	459.00
B2108	64-65	DOOR ASSEMBLY - glove box, complete	284.00
B2110	66-67	DOOR ASSEMBLY - glove box, complete	304.00
B2104	63	DOOR ASSEMBLY - glove box, front only, (w/installation kit)	380.00



64-65 EMBLEM
B2112



66-67 EMBLEM B2116

B2112	64-65	EMBLEM - glove box door	45.70
B2116	66-67	EMBLEM - glove box door	45.70
B0354	63-67	FRAME - glove box, (used)	39.95
B2111	64-67	GLOVE BOX RESTORATION - your glove box door disassembled, repainted w/new brushed aluminum insert, and emblem, correctly riveted during re-assembly	179.95

NOTE: We are unable to re-chrome the door frame during the B2111 restoration process.

B2126	63-67	GROMMET SET - glove box door support rod, (pr)	2.60
B2173	63-67	HINGE ASSEMBLY - w/spring, glove box door, (used)	46.90
B2322	63	INSERT - AC instruction card	10.85
B2323	63	INSERT - AC instructions decal on glove box door	10.00
B2148	63-64	INSERT - grab opening, 4 hole, (specify color)	14.95
B2150	65-66	INSERT - grab opening, 6 hole, (specify color)	14.95
B2118	63-67	LINER - glove box door, assembled	23.00
B0637	67	LOCK ASSEMBLY - glove box door, includes bezel, lock case & cylinder	34.50
B6175	63	LOCK ASSEMBLY - glove box door, includes bezel, lock case and cylinder w/key	45.00
B6124	64-66	LOCK ASSEMBLY - glove box door, includes bezel, lock case & cylinder w/key	40.15
B3405	63-67	NUT SET - glove box frame screws, 'U' shape, (6 pc.)	5.85
B2147	63	REINFORCEMENT - glove box door	10.75
B2107	63E	REINFORCEMENT - glove box, lower, thru 4/15/63, w/o AC	26.55
B2195	63L-64E	REINFORCEMENT - glove box, lower, thru 4/15/63 to 10/63	26.55
B2196	64L-67	REINFORCEMENT - glove box, lower, thru 11/63 & later	26.55
B2106	64-65	REPAIR KIT - glove box door	25.00
B2114	66-67	REPAIR KIT - glove box door	25.00

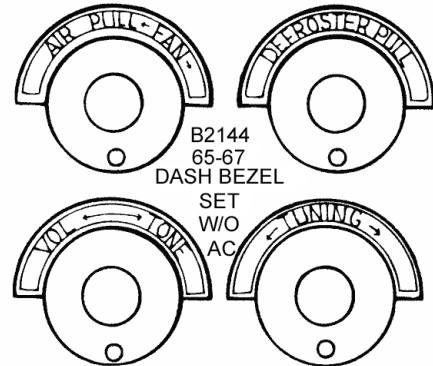
NOTE: Repair Kits (B2106 and B2114) include glove box face with correct grain finish screws and instructions.

B6122	63	RETAINER - glove box lock	6.20
B6126	64-67	RETAINER - glove box lock	8.30
B3406	63-67	SCREW & WASHER - glove box hinge spring	1.45
B2202	64-67	SCREW SET - glove box door repair, (11 pc.)	5.20
B3413	63-67	SCREW SET - glove box door to hinge w/washer, (3 pc.)	3.10
B3411	63-67	SCREW SET - glove box frame, (6 pc.)	7.65
B3409	63-67	SCREW SET - glove box liner, (9 pc.)	5.50
B3412	63-67	SCREW SET - glove box lower hinge & support, (7 pc.)	4.40
B3414	63-67	SCREW SET - glove box striker, (2 pc.)	2.45
B3407	63-64	SCREW SET - grab opening insert, (4 pc.)	2.85
B3408	65-66	SCREW SET - grab opening insert, (6 pc.)	2.75
B2139	63-67	SHIELD - glove box light bulb	9.40
B2177	63-67	SPRING ROD - glove box door hinge	2.00
B2128	63-67	STOP SET - glove box door, (pr)	2.60
B2122	63-67	STRIKER - glove box door	7.25
B2143	63-67	SWITCH & BULB KIT - glove box light, w/terminal	22.50

Heater & Radio Control Area

B2176	63-67	BEZEL - radio trim, on dash, stainless steel	16.00
B2132	63	BEZEL SET - dash, w/AC, (6 pc.), metal	199.35
B2138	64	BEZEL SET - dash, w/AC, (6 pc.)	20.70

B2146	65-67	BEZEL SET - dash, w/AC, (6 pc.)	10.80
B2130	63	BEZEL SET - dash, w/o AC, (4 pc.), metal	69.45
B2136	64	BEZEL SET - dash, w/o AC, (4 pc.)	12.95



B2144	65-67	BEZEL SET - dash, w/o AC, (4 pc.)	10.75
B2134	63	BEZEL SET - radio control only, on dash, (2 pc.)	26.75
B6058	64-67	BULB - glove box light	1.20
B2157	65-67	CLIP SET - radio side panel support, (2 pc.)	10.35
B7180	63-67	GRILLE ASSEMBLY - speaker, w/2 hex & 2 speed nuts	76.20

B2149	64-67	HOLDER & SHADE - air conditioning indicator bulb sockets, metal	26.30
B1952	67	KNOB - fresh air vent on radio side panel, (1 or 2 req.) (ea)	16.75

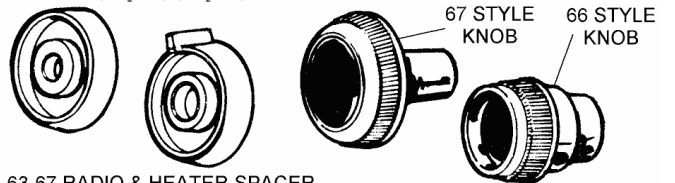
B2103	63-64	KNOB - heater, set screw type	21.60
B2101	63-64	KNOB - heater/defroster, screw on type	17.75
B2137	65	KNOB - heater, screw-on type	19.75
B2141	65	KNOB - heater, set screw type	22.35
B2186	66	KNOB - heater/fan, screw on type	22.35
B2184	66	KNOB - heater/fan, set screw type	22.35
B2190	67	KNOB - heater/fan, screw on type	20.75
B2188	67	KNOB - heater/fan, set screw type	22.35
B7133	63	KNOB - radio, AM/FM	18.75
B7116	63-64	KNOB - radio, AM/FM, set screw type	18.75
B7165	65	KNOB - radio	24.95
B7118	66	KNOB - radio	19.80
B7120	67	KNOB - radio	19.80

B2115	63-67	NUT - heater cable	4.10
B1911	63-67	NUT SET - radio side panels, 'U' shape, (4 pc.)	1.65

B2155	63-67	NUT SET - speaker & grille	4.15
B1939	63	PANEL - side, radio console, fiberglass, LH	95.00
B1940	64-66	PANEL - side, radio console, fiberglass, LH	95.00
B1944	67	PANEL - side, radio console, fiberglass, LH	95.00
B1942	63-66	PANEL - side, radio console, fiberglass, RH	95.00
B1946	67	PANEL - side, radio console, fiberglass, w/AC, RH	95.00
B1945	67	PANEL - side, radio console, fiberglass, w/o AC, RH	95.00

B2212	63-67	PLUG SET - heater delete dash cable holes, (pr)	45.25
B0390	63-67	ROD - AC flapper, w/knob for AC vent	35.00

B3473	63-67	SCREW SET - radio side cover panels, (repl.) (4 pc.)	4.15
-------	-------	--	------

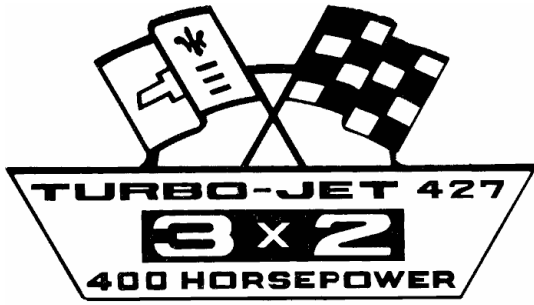


B3386	64-65	SPACER SET - heater knob, (2 pc.)	21.90
B3387	66-67	SPACER SET - heater knob, (2 pc.)	21.95
B2140	64-65	SPACER SET - radio & heater controls, (4 pc.)	66.40
B2142	66-67	SPACER SET - radio & heater controls, (4 pc.)	66.40
B7112	63-65	SPACER SET - tone control, under radio knob, (pr)	18.20
B7114	66-67	SPACER SET - tone control, under radio knob, (pr)	16.85

DECALS, LABELS, INSTRUCTIONS & TAGS

Air Cleaner

B2303	67	DECAL - 327, 'Turbo-Fire 300HP'	3.25
B2304	67	DECAL - 327, 'Turbo-Fire 350HP'	3.25
B2300	66E	DECAL - 427, 'Turbo-Jet 450HP'	3.50
B2307	65-66	DECAL - 427 'Turbo-Jet 425HP' / 1965 ALL, 1966 after end of usage of 450HP decal	3.50



B2308	66-67	DECAL - 427, 'Turbo-Jet 390HP'	3.50
B2305	65	DECAL - 396 Crossed flags	3.50
B2306	66-67	DECAL - 427, Crossed Flags	3.50
B2309	67	DECAL - 427, w/3x2 'Turbo-Jet 400HP'	3.50
B2310	67	DECAL - 427, w/3x2 'Turbo-Jet 435HP'	3.50
B2301	63-65E	DECAL - FI (AC type Al63C) Instruction	7.95
B2302	65L	DECAL - FI (#6418094) Instruction	5.35

Air Conditioning

B2311	63-65	DECAL - air conditioning, coupe rear window, conv. side window	3.75
B2312	66	DECAL - air conditioning, coupe rear window, conv. side window	3.75
B0303	63-67	STAMP KIT - AC compressor, 'OK Final Test' ..	20.70
B2317	63-65	STICKER - air cond. compressor warning	5.80
B2318	64-65	STICKER - Frigidaire, AC compressor	6.00
B2319	66	STICKER - Frigidaire, AC compressor	5.50
B2320	67	STICKER - Frigidaire, AC compressor	5.65
B2314	65	STICKER - Harrison foil for heat exchanger ..	7.00
B2315	66	STICKER - Harrison foil for heat exchanger ..	7.00

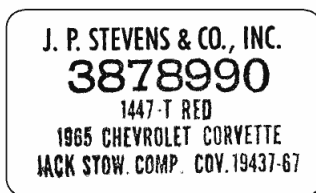


AIR CONDITIONING STICKER - B2316

B2316	67	STICKER - Harrison foil for heat exchanger ..	7.00
-------	----	---	------

Carpet / Rear Storage Board

B2332	65-67	LABEL - jack cover board carpet inspection ..	2.50
-------	-------	---	------



CARPET TAG B2337

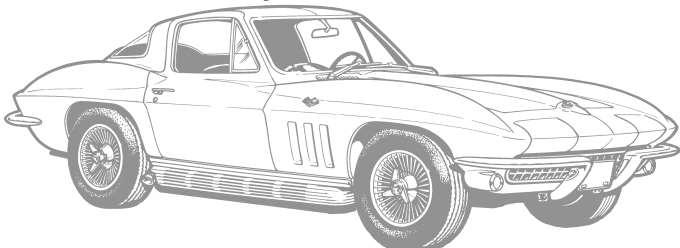
B2337	65-67	TAG - carpet, rear storage board, 'J.P. Stevens Co. Inc.' specify year & carpet color	5.50
-------	-------	---	------

Coil Spring

B2402	64-67	DECAL SET - 'ED' standard, (pr)	4.00
B2406	65-67	DECAL SET - 'EA' F-40, F-41, L-88, (pr)	4.00
B2404	65-67	DECAL SET - 'EB' 396/427, (pr)	4.50
B2408	66-67	DECAL SET - 'EF' 427 w/Air Conditioning, (pr).	4.00

Dash & Glove Box

B2425	63-67	BAG - for license plate hardware, hard top wrench & washers, Z06 bolts, (1 or 2 req.) (ea)	5.75
B2324	66	DECAL - air pressure, for tires	3.65
B2325	67	DECAL - air pressure, for tires	3.65



ADAPTER (MARKED FOR LEFT AND RIGHT SIDES)

ADAPTER NUT CLEARANCE HOLE

LOCKING NUT (MARKED LEFT AND RIGHT)

DRIVING HOLE

ALUMINUM WHEEL MAINTENANCE

CAUTION: THIS VEHICLE IS EQUIPPED WITH QUICK TAKE-OFF ALUMINUM WHEELS. TIGHTEN THE WHEEL LOCKING NUTS EVERY 100 MILES FOR THE FIRST 500 MILES BY STRIKING THE WINGS EIGHT HARD BLOWS WITH THE PROVIDED LEAD HAMMER.

WHEEL CHANGE
REMOVE ALL DIRT FROM WHEEL ADAPTER AND MATING WHEEL SURFACE. INSTALL WHEEL SO THAT ADAPTER NUTS INDEX WITH LARGE CLEARANCE HOLES IN WHEEL. ATTACH WHEEL WITH LOCKING NUT. LOCKING NUT WILL SCREW ON APPROXIMATELY SEVEN COMPLETE TURNS WITH WHEEL PROPERLY SEATED.

TIGHTEN LOCKING NUT HAND TIGHT-THEN TAP WITH LEAD HAMMER UNTIL SEATED. STRIKE LOCKING NUT EIGHT HARD BLOWS WITH HAMMER TO LOCK.

PRINTED IN U.S.A. PART NO. 3866414

GLOVE BOX INSERT - B2326

B2322	63	INSERT - AC instruction card	10.85
B2323	63	INSERT - AC instructions decal on glove box door	10.00
B2415	63	INSTRUCTION SHEET - Z-06 brake, in glove box	3.75
B2417	63-64	INSTRUCTION SHEET - J-65 brake, in glove box	2.50
B2349	65-66	TAG - traffic hazard warning switch, w/string	5.00

Decal Sets

Sets include air cleaner, tire pressure, jacking, oil canister, fan shroud, foil radiator, valve cover, horsepower & valve cover engine size where applicable. Sets do not include engine code, air-conditioning, expansion tank or suspension related decals.

B0855	63-65	DECAL - 250hp w/knock-off wheels	16.60
B0854	63-65	DECAL - 250hp w/steel wheels	16.60
B0876	67	DECAL - 300hp	16.60
B0857	63-65	DECAL - 300hp w/knock-off wheels	16.60
B0865	66	DECAL - 300hp w/knock-off wheels	16.60
B0856	63-65	DECAL - 300hp w/steel wheels	18.50
B0864	66	DECAL - 300hp w/steel wheels	16.60
B0851	63	DECAL - 340hp w/knock-off wheels	14.40
B0850	63	DECAL - 340hp w/steel wheels	14.40
B0875	67	DECAL - 350hp	16.60
B0859	64-65	DECAL - 350hp w/knock-off wheels	14.40
B0867	66	DECAL - 350hp w/knock-off wheels	16.60
B0858	64-65	DECAL - 350hp w/steel wheels	14.40
B0866	66	DECAL - 350hp w/steel wheels	16.60
B0853	63	DECAL - 360hp w/knock-off wheels	14.40
B0852	63	DECAL - 360hp w/steel wheels	14.40
B0861	64-65	DECAL - 365hp w/knock-off wheels	16.20
B0860	64-65	DECAL - 365hp w/steel wheels	14.40
B0863	64-65	DECAL - 375hp w/knock-off wheels	14.40
B0862	64-65	DECAL - 375hp w/steel wheels	14.40
B0877	67	DECAL - 390hp	17.70
B0871	66	DECAL - 390hp w/knock-off wheels	17.70
B0870	66	DECAL - 390hp w/standard wheels	17.70
B0874	67	DECAL - 400hp	16.60
B0869	66	DECAL - 425hp w/knock-off wheels	17.70
B0868	66	DECAL - 425hp w/standard wheels	17.70
B0872	67	DECAL - 430hp	17.70
B0873	67	DECAL - 435hp	16.60

Door



DOOR DECAL SET B2321

B2321	67	DECAL SET - GM Mark of Excellence, (correct reprod.) (pr)	4.95
B2358	67	DECAL SET - GM Mark of Excellence, located above door latch on door, (paper repl.) (pr)	4.95

CHICAGO CORVETTE SUPPLY

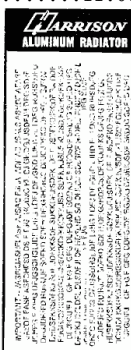
We're your 1-Stop-Shop for 1953-82 Corvette parts and accessories!

Engine Compartment Kits

B2410 63-65 DECAL KIT - 250hp, (6 pc.)11.00



ENGINE COMPARTMENT DECAL SET
B2416



3 8

B2416 66 DECAL KIT - 300hp, (7 pc.)22.00
 B2426 67 DECAL KIT - 300hp, (8 pc.)24.00
 B2418 66 DECAL KIT - 350hp, (7 pc.)22.00
 B2428 67 DECAL KIT - 350hp, (8 pc.)24.00
 B2424 67 DECAL KIT - 390hp, (10 pc.)29.00
 B2414 65 DECAL KIT - 396/425hp w/TI, (8 pc.)30.00
 B2432 67 DECAL KIT - 400hp, (7 pc.)23.00
 B2420 66 DECAL KIT - 427/390hp, (8 pc.)24.00
 B2422 66 DECAL KIT - 427/425hp, (8 pc.)24.00
 B2434 67 DECAL KIT - 435hp, (7 pc.)23.00
 B2430 67 DECAL KIT - L-88, (3 pc.) (specify if w/HD
 brake)15.00

Exhaust

B2336 63-67 STAMP KIT - off road muffler20.70

Frame

B0626 63-67 CRAYON SET - chassis marking, (4 pc.)29.95
 B0625 67 STENCIL - chassis date, specify month & day . 10.95
 B0620 63 STENCIL - chassis part number on frame -
 specify serial number10.95
 B0621 64 STENCIL - chassis part number on frame -
 specify serial number10.95
 B0622 65 STENCIL - chassis part number on frame -
 specify serial number10.95
 B0623 66 STENCIL - chassis part number on frame -
 specify serial number10.95
 B0624 67 STENCIL - chassis part number on frame -
 specify serial number10.95

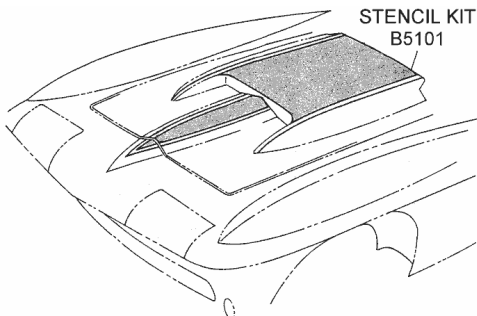
Fuel System

B2390 63-65 DECAL - GF90 fuel filter2.95
 B2423 67 DECAL - L-88 fuel warning, 103 octane, on
 console3.65
 B2407 64-67 INK STAMP KIT - Holley carburetor numbers,
 list & inspection, rubber, (specify date, year &
 Holley list number)26.95

Heater Blower Motor Inspection

B2396 63 STICKER - '309D' inspection stickers,
 blower motor flange & bottom interior heater
 fiberglass housing, (2 pc.)6.00
 B2397 64-67 STICKER - '369H' inspection identification,
 blower motor flange & bottom interior heater
 fiberglass housing, (pr)6.00

Hood



B5101 67 STENCIL KIT - big block hood painting113.50

Jacking & Wheel - Instructions on rear storage board

B2328 63-66 INSTRUCTIONS - steel wheels4.50
 B2331 63-67 INSTRUCTIONS - steel wheels w/36 gallon gas
 tank10.50
 B2333 67 INSTRUCTIONS - steel or aluminum wheels4.50
 B2329 63-66 INSTRUCTIONS - w/knock off wheels4.50
 B2393 63-66 INSTRUCTIONS - w/knock off wheels w/36
 gallon tank10.50

Master Cylinder

B2335 67 LABEL - master cylinder bail, 'TG', (J-56),
 power brakes4.25
 B1233 67 LABEL - master cylinder bail, 'YA', manual
 brakes.4.25
 B2334 67 LABEL - master cylinder bail, 'YC'4.25
 B2429 67 LABEL - power brake booster check valve5.65

Oil Filter Canister

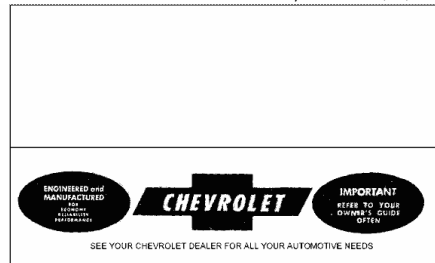


OIL FILTER
DECAL
A2320

A2320 63-67 DECAL - oil filter canister instructions3.45

Owner's Manual

B2419 63E ENVELOPE - owner's manual, thru 1/4/635.75



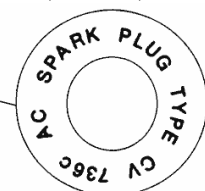
OWNER'S MANUAL & INSTRUCTION BAG - L0039

L0039 63-66 BAG - owner's manual, (no key logo)4.00
 L0040 67 BAG - owner's manual, (w/key logo)4.00
 B2445 67 ENVELOPE - key5.20
 B2431 63-64 ENVELOPE - warranty book4.75
 B2326 64-66 INSERT - knock-off wheel instruction for
 owners packet4.00
 B2327 67 INSERT - trim ring card for owner's manual
 packet5.00

P.C.V. Vent

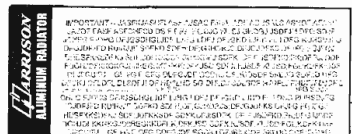
A2385 63-64E TAG - CV590, PCV valve, 63 all, 64E w/FI4.95

PCV TAG
B0199



B0199 67 TAG - PCV valve, '736C', all w/427 exc. H.D. . 3.50

Radiator & Cooling System



RADIATOR
PLATE
A2346

A2346 63E ID PLATE - 'Harrison' radiator, metal11.00
 B2341 63E LABEL - 'Caution', expansion tank3.70

NOTE: B2341 is used on the side of the expansion tank, facing the rear of the car on cars produced before Dec. '62.

- B2344 64-65L LABEL - 'Caution', expansion tank3.70
NOTE: B2344 label is used on the LH side of 1964 radiators, and the RH side of the shroud on 1965.
- B2343 63-64E LABEL - 'Caution', on expansion tank3.70
NOTE: B2343 is used on the radiator of 1963-64 cars built between Dec. '62 and March '64.
- B2345 65-67 LABEL - 1965 396 & 1967 L88 'CAUTION'5.30
NOTE: B2345 label is used on the inner fender for 1965 396s and the underside of the hood on 1967 L-88s.
- A2348 63L-67 LABEL - all small block Harrison radiator, foil, located on top LH of aluminum radiator (also used on 1965-396 & L 88 cars)4.50
- B2347 63-67 LABEL - inspection number '3', green, expansion tank3.00
- B2346 63-67 LABEL - inspection number '8', green, radiator expansion tank3.00
- B2394 66-67 LABEL SET - fan shroud inspection, w/427, w/AC, (4 pc.)3.70
- B2399 66-67 LABEL SET - fan shroud, w/427, w/o AC, (3pc.) 2.85
- B2281 65 STAMP KIT - '06ACG' radiator inspection, w/39628.35
- B2282 67 STAMP KIT - '06AMG' radiator inspection, w/L8820.70
- B2348 63-67 STAMP KIT - '16 CT' radiator inspection, w/32721.25
- B2283 66-67 TAG - 427 brass radiator w/4 speed, MK #300856715.95
- B2284 66-67 TAG - 427 brass radiator w/auto trans., MJ #300856615.95

Radio

- B7166 63E CARD - FM radio antenna, hangs from RH radio knob, (3/63 - 4/63)3.95
- B7167 63L CARD - FM radio antenna, hangs from RH radio knob, (4/63 - 6/63)3.95
- B7171 64-65 CARD - FM radio antenna, hangs from RH radio knob, slit3.60
- B7113 65-66 CARD - FM radio antenna, hangs from RH radio knob, no slit4.50
- B7117 67 CARD - FM radio antenna, hangs from RH radio knob, printed on one side4.45
- B7175 63-64 DECAL - radio number overlay, (under lens) .17.75
- B7176 65-67 DECAL - radio number overlay, (under lens) .17.95
- A2334 63E INSTRUCTION SHEET - Wonderbar radio operation3.95
- B2387 63 INSTRUCTION SHEET - AM/FM radio4.00
- B2433 64 INSTRUCTION SHEET - AM/FM radio4.00
- B2350 65-67 INSTRUCTION SHEET - AM/FM radio4.00
- B7168 63 POCKET GUIDE - AM/FM radio, (after 10/15/62)7.35
- B7169 64 POCKET GUIDE - AM/FM radio5.65
- B7170 65 POCKET GUIDE - AM/FM radio5.65

Rear End & Posi-Traction



POSI-TRACTION DECAL A2330

- A2330 63-67 DECAL - all w/posi-traction, 'CAUTION', (on jackboard)3.95
- S7372 63-64 TAG - rear end ID, metal, 3:087.45
- S7373 63-64 TAG - rear end ID, metal, 3:367.45
- S7374 63-64 TAG - rear end ID, metal, 3:557.45
- S7375 63-64 TAG - rear end ID, metal, 3:707.45
- S7376 63-64 TAG - rear end ID, metal, 4:117.45
- S7377 63-64 TAG - rear end ID, metal, 4:567.70
- B2338 63-64 TAG - rear end, 'Limited Slip' for round metal10.00
- B0013 65 TAG - red plastic, posi traction for rear end drain plug9.00
- B2339 66-67 TAG - rear end, posi-traction for drain plug, red plastic8.75

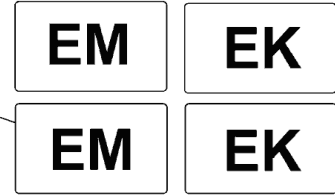
Seat Belt

- B2400 63-67 CARD - seat belt instructions4.05
- B2401 64-66 DECAL SET - seat belt buckle, original12.10
- B2405 66-67 DECAL SET - seat belt shoulder harness, on buckle, (pr)12.55
- B2403 65-66 TAG SET - seat belt retractor instructions, (pr)8.95

Shock Absorbers, Springs & Sway Bar

- B2355 63-65 DECAL SET - 'EK/EM', standard suspension, front & rear, (4 pc.)7.25

SHOCK DECAL SET B2355

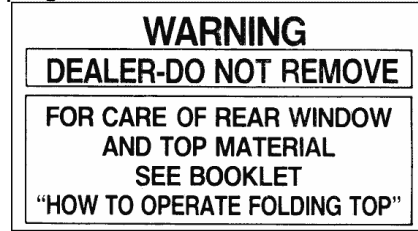


- B2356 63-65 DECAL SET - 'EN/EP', F41 suspension, front & rear, (4 pc.)7.25
- B0016 66-67 DECAL SET - 'EN/EP', F41 suspension, front & rear, (4 pc.)8.10

NOTE: Place front shock labels 2 1/2" from the top of the visible part of the front shock. Place the rear shock label 2 1/2" from the top of the visible part of the rear shock.

- B2436 65-67 LABEL SET - front coil spring, 396/427, 'EB', (pr)4.90
- B2438 66-67 LABEL SET - front coil spring, 427 w/AIR, 'EF', (pr)4.90
- B2435 64-67 LABEL SET - front coil spring, standard, 'ED', (pr)4.90
- B2439 63-67 TAG - stabilizer bar, front, standard w/327 .2.95
- B2440 65-67 TAG - stabilizer bar, front, standard w/396/4272.50
- B2441 63-67 TAG - stabilizer bar, front, standard w/F40/F41/Z062.50

Soft Top Tag



SOFT TOP TAG A2379

- A2379 63-67 TAG - 'warning' rear window, convertible top .3.60

Transistorized Ignition

- B2354 64-67 DECAL - amplifier, transistorized ignition .4.00

T.I. DECAL B2353



- B2353 64-67 DECAL - coil, transistorized ignition4.00

Transmission Identification Tag

Embossed metal identification tags mount on side of every manual transmission, under lower side front cover bolt.

- B8920 63E TAG - #3819107W, T-10, 3 speed29.95
- B8843 63L TAG - #3831701, Muncie 4 speed, 340-360hp, after #1200029.95
- B8842 63L TAG - #3831703, Muncie 4 speed, 250-300hp, after #1200029.95
- B8846 64 TAG - #3839601, 4 speed, 365-375hp29.95
- B8845 64 TAG - #3839602, 4 speed, 250-300hp29.95
- B8841 63L TAG - #3839715, Muncie 3 speed, after #1200029.95
- B8840 63E TAG - #3839723W, T-10, 4 speed, 340-360hp, after #1200029.95
- B8839 63E TAG - #3839724W, T-10, 4 speed, 250-300hp, before #1200029.95
- B8844 64 TAG - #3855707, 3 speed29.95
- B8847 65 TAG - #3855907, 3 speed, 250hp29.95
- B8849 65 TAG - #3857573, 4 speed, M20, 365-375hp29.95
- B8850 65 TAG - #3857579, 4 speed, M20, 350hp29.95
- B8848 65 TAG - #3857580, 4 speed, M20, 250-300hp29.95
- B8852 65 TAG - #3857581, 4 speed, M20, 396/425hp29.95
- B8853 66 TAG - #3860097, 3 speed, 300hp29.95
- B8857 67 TAG - #3860097, 3 speed, 300hp29.95
- B8854 66 TAG - #3870354, 4 speed, M20, 300/350/390hp29.95
- B8858 67 TAG - #3870354, 4 speed, M20, 300/350/390hp .29.95
- B8851 65 TAG - #3879986, 4 speed, M22, 365-375hp29.95
- B8856 65-66 TAG - #3879987, 4 speed, M22, 425hp29.95
- B8861 67 TAG - #3879987, 4 speed, M22, 430hp, L88 .29.00
- B8855 66 TAG - #3880853, 4 speed, M21, 350/390/425hp .29.95
- B8859 67 TAG - #3880853, 4 speed, M21, 350hp29.95
- B8860 67 TAG - #3880855, 4 speed, M21, 390/400/435hp .29.95
- B2409 66-67 TAG - M-22 transmission/differential lubricant (attaches to rear end plug on M22 equipped cars)7.10

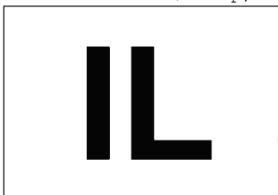
Trim Tag



B2398 63-67 TRIM TAG - includes rivets w/all related data as supplied by customer295.00

Valve Cover - Engine ID Codes

B2373	66-67	DECAL - 'HO'	327/300hp, Auto3.95
B2372	66-67	DECAL - 'HE'	327/300hp, 4 speed3.95
B2368	66-67	DECAL - 'HH'	327/300hp, w/A.I.R3.65
B2374	66-67	DECAL - 'HR'	327/300hp, w/A.I.R & auto3.65
B2378	66-67	DECAL - 'HP'	327/350hp, P/S & AC, 4 speed3.95
B2376	66-67	DECAL - 'HT'	327/350hp, 4 speed3.95
B2375	66-67	DECAL - 'HD'	327/350hp, 4 speed & A.I.R3.65
B2377	66-67	DECAL - 'KH'	327/350hp, 4 speed, AC & A.I.R3.65
B2367	66-67	DECAL - 'IQ'	427/390hp, auto3.95
B2384	66-67	DECAL - 'IR'	427/390hp, auto & A.I.R3.95



VALVE COVER DECAL B2366

B2366	66-67	DECAL - 'IL'	427/390hp, 4 speed3.95
B2379	66	DECAL - 'IM'	427/390hp, 4 speed, A.I.R3.95
B2365	66	DECAL - 'IP'	427/425hp, 4 speed3.65
B2357	66	DECAL - 'IK'	427/425hp, 4 speed, M223.65
B2383	67	DECAL - 'JD'	427/400hp, auto3.65
B2385	67	DECAL - 'JG'	427/400hp, auto & A.I.R3.65
B2369	67	DECAL - 'JC'	427/400hp, 4 speed3.65
B2381	67	DECAL - 'JF'	427/400hp, 4 speed, A.I.R3.65
B2370	67	DECAL - 'JE'	427/435hp, 4 speed3.65
B2371	67	DECAL - 'JA'	427/435hp, w/ A.I.R, 4 speed3.65
B2380	67	DECAL - 'IU'	427/435hp, L89-3x2, aluminum heads, 4 speed3.95
B2382	67	DECAL - 'JH'	427/435hp, L89-3x2, aluminum heads, 4 speed, A.I.R3.65
B2391	67	DECAL - 'IT'	427/430hp, L88, 4 speed3.95

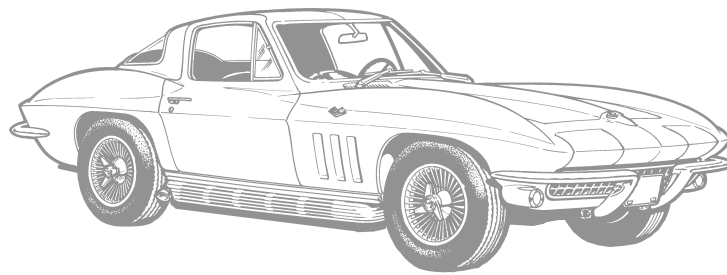
Valve Cover - Horsepower/Engine Size

A2374	63E	DECAL SET - 'Chevrolet 327 Turbo-Fire', (metal) (pr)10.50
B2362	63L-65	DECAL SET - 'Chevrolet 327 Turbo Fire', 250/300hp, (Mylar) (pr)5.65
B2392	66	DECAL - '327' Turbo Fire, 300 hp4.95

VALVE COVER DECAL A2366

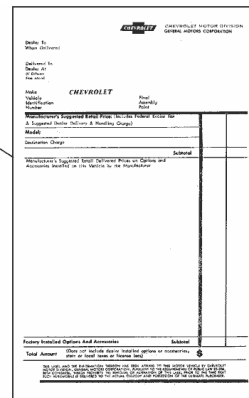


A2366	63-65	DECAL SET - '250' horsepower, 327, (pr)3.95
A2368	63-65	DECAL SET - '300' horsepower, 327, (pr)3.95
A2370	63	DECAL SET - '340' horsepower, 327, (pr)3.95
A2372	63	DECAL SET - '360' horsepower, 327, (pr)3.95
B2360	64-65	DECAL SET - '365' horsepower, 327, (pr)3.50
B2361	64-65	DECAL SET - '375' horsepower, 327, (pr)3.50
B2359	65-66	DECAL SET - '350' horsepower, 327, (pr)3.50
B2364	67	DECAL - 'Flint No. 1 Team' 327, mounts on front end of RH valve cover3.50
B2363	67	DECAL - 'Tonawanda #1 Team' 427, RH cover3.95



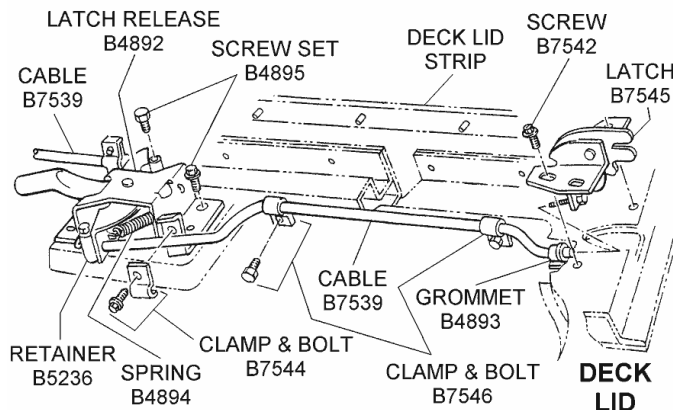
Window

WINDOW STICKER B2427

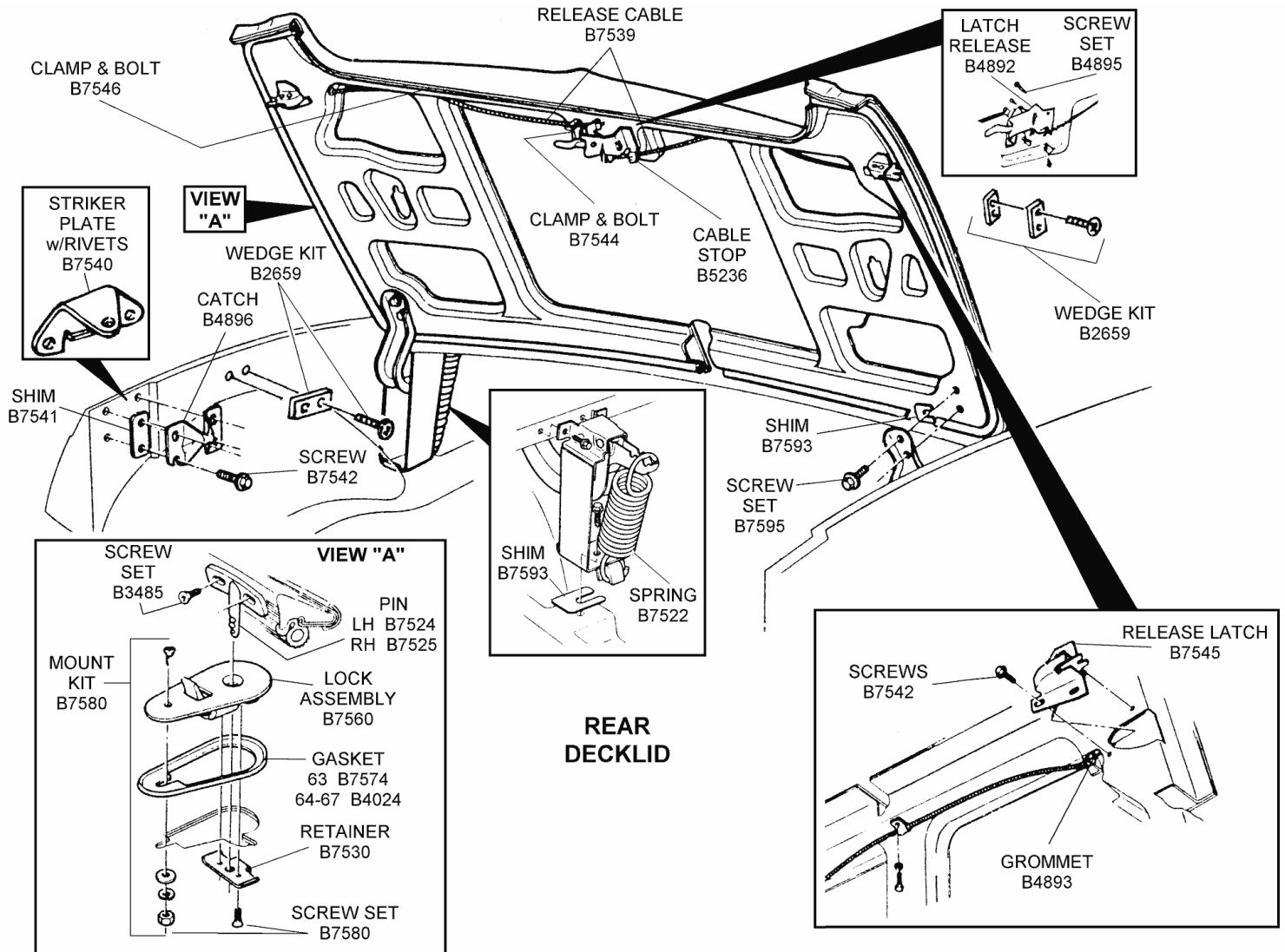


A2300	63-64	STICKER - window4.25
B2427	65	STICKER - window4.25
B2421	66-67	STICKER - window4.25

DECK LID - CONVERTIBLE



B4856	63-67	BAG - hard top wrench3.50
B4824	63-67	BOLT - carriage, hold-down, on rear of hard top2.35
A4818	63-67	BOLT - hard top hold-down, (stainless steel) (4 req.) (ea)6.90
B4820	63-67	BUMPER SET - rear hard top bolts, (2 pc.)3.40
B7539	63-67	CABLE - deck lid lock release, (2 req.) (ea)8.50
B0958	63-67	CAGE & NUT - rear deck lid hinge, (2 req.) (ea)13.95
B4896	63-67	CATCH - deck lid on body, (2 req.) (ea)26.30
B7544	63-67	CLAMP & BOLT KIT - cable on release mechanism, deck lid, (4 pc.)10.50
B7546	63-67	CLAMP & BOLT KIT - deck lid release cable on deck lid, (4 pc.)8.50
B7580	63-67	FASTENER KIT - convertible top lock on deck lid6.30
B4826	63-67	FERRULE - in deck lid, hard top hold-down9.10
B4818	63-67	GASKET - hard top, rear deck lid, ferrule2.85
A4054	63-67	GASKET SET - hard top anchor nut, (pr)2.10
B7547	63	GASKET SET - rear soft top locks on deck lid, rubber, (pr)4.50
B4024	64-67	GASKET SET - rear soft top locks on deck lid, plastic, (pr)4.90
B4893	63-67	GROMMET - deck lid release cable, (2 req.) (ea)1.95
B7545	63-67	LATCH ASSEMBLY - deck lid side, (2 req.) (ea)49.25
B4892	63-67	LATCH RELEASE MECHANISM - on deck lid48.95
B7560	63-67	LOCK ASSEMBLY - rear conv. top hold-down on deck lid99.90
B4880	63-67	MOUNT KIT - hard top, w/ (2) A4818 (2) A4860 (2) A4862 & (1) A405423.50
A4860	63-67	NUT - hard top hold down on deck lid, (stainless steel)6.80
A4862	63-67	NUT - retainer nut to hold stainless steel hardtop nut on deck lid, installes from bottom side of deck lid, jamb type, (ea)1.00
B4821	63-67	NUT & WASHER SET - rear hard top bolts, (4 pc.)1.00
B7532	63-67	PLATE - soft top deck lid striker w/rivets8.75
B7540	63-67	PLATE KIT - deck lid strikers, on body, w/rivets, (pr)17.75



B2659 63-67 WEDGE KIT - deck lid align, on deck lid & body, (2 metal and 2 plastic wedges w/ 8 screws & 4 shims)39.25

DOOR: INTERNAL & EXTERNAL, DOOR JAM, HINGE PILLAR, POWER WINDOWS

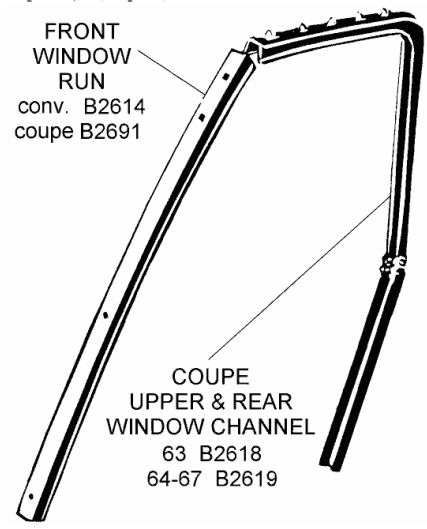
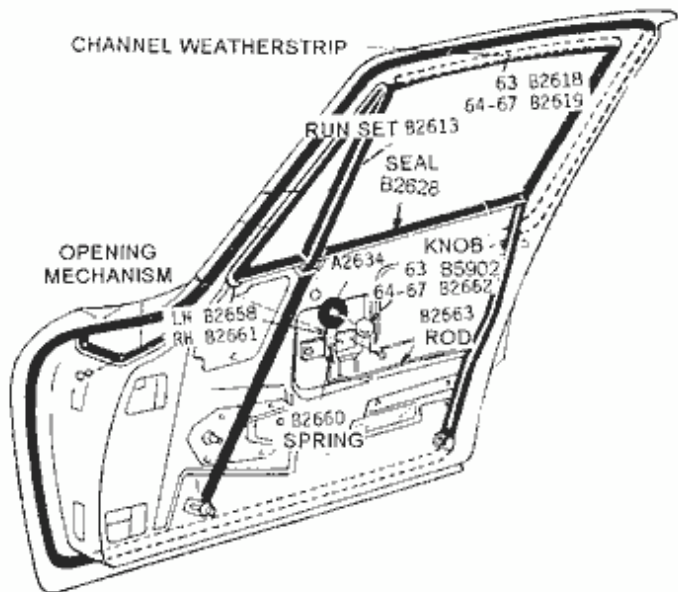
Convertible

B4828 63-67	PLUG/BUTTON SET - hard top ferrule on deck lid, (pr)	3.40
B4887 63-67	PROTECTOR - deck lid, hard top	25.95
NOTE: Deck lid protectors are static cling film (no adhesive needed), and are die-cut from your model, preventing scuffs & scratches.		
B4886 63-67	PROTECTOR - deck lid, soft top	25.95
B7530 63-67	RETAINER - rear soft top catch on deck lid, (2 req.) (ea)	4.35
B5236 63-67	RETAINER/GUIDE - deck lid latch cable, brass, w/single screw, (pr)	3.45
B2687 63-67	SCREW SET - deck lid alignment wedges, (8 pc.)	4.15
B7554 63-67	SCREW SET - deck lid catch on body, (6 pc.)	9.25
B7595 63-67	SCREW SET - deck lid hinge, top & bottom, (6 pc.)	6.25
B4895 63-67	SCREW SET - deck lid release mechanism	4.00
B7542 63-67	SCREW SET - latch on deck lid catch, (6 pc.)	6.45
B3483 63-67	SCREW SET - soft top latch on deck lid, (16 pc.)	14.75
B2688 63-67	SHIM - deck lid alignment/wedge	2.95
B7593 63-67	SHIM - deck lid hinge & deck lid hinge spring, (1/16")	1.00
B7541 63-67	SHIM SET - anti-skid, for deck lid catch, (4 pc.)	23.35
B7522 63-67	SPRING - deck lid hinge	9.95
B4894 63-67	SPRING - latch release mechanism	4.75

B6943 63-67	BRACKET - front upper stop, convertible	13.25
B6903 63-67	BRACKET - rear, upper window stop, in door	13.95
B6901 63-67	BUMPER - front, upper window stop, in door	2.15
A6053 63-67	BUMPER - rear lower glass channel	1.70
B6902 63-67	BUMPER - rear, upper window stop, in door	3.35
B2615 63-67	FASTENER- w/screws, windshield pillar weatherstrip (ss) (pr)	30.65
B2631 63-67	FRAME - vent window, convertible, LH, (used) . CALL	
B2633 63-67	FRAME - vent window, convertible, RH, (used) . CALL	
A2612 63-67	LINER SET - rear door glass run, (pr)	10.95
B2753 63	MOLDING - outer window seal, door, convertible, LH, (used)	CALL
B2754 63	MOLDING - outer window seal, door, convertible, RH, (used)	CALL
B2738 64-67	MOLDING - outer window seal, door, convertible, LH, (used)	CALL
B2739 64-67	MOLDING - outer window seal, door, convertible, RH, (used)	CALL
B2689 63-67	MOUNT KIT - vent window assembly to door, hardware	28.10
B2697 63-67	PIVOT - vent wing upper hinge, LH	31.00
B2698 63-67	PIVOT - vent wing hinge upper, RH	31.00
B2636 63-67	'T' PIVOT - vent wing lower post, LH, w/rivets	19.00
B2634 63-67	'T' PIVOT - vent wing lower post, RH, w/rivets	19.00
B2676 63-67	REGULATOR - window, w/o power windows, restored, LH	224.95

B2677 63-67	REGULATOR - window, w/o power windows, restored, RH224.95	B2622 63-67	FRAME - vent window, LH,250.00
B2644 63-67	REGULATOR - vent window, convertible, LH ...146.00	B2646 63-67	FRAME - vent window, RH, NOS w/'T' pivot ...295.00
B2647 63-67	REGULATOR - vent window, convertible, RH ...146.00	B2640 63-67	HINGE - cradle, LH15.00
B2614 63-67	RUN & MOUNT KIT - front door window, pre-bent w/holes, (pr)48.60	B2639 63-67	HINGE - cradle, RH15.00
B6947 63	RUN - window, at rear of door, LH47.00	B2654 63-67	HINGE - vent wing glass, LH, welds to frame . .9.35
B6973 63	RUN - window, at rear of door, RH47.00	B2653 63-67	HINGE - vent wing glass, RH, welds to frame . .9.35
B6476 64-67	RUN - window, at rear of door, LH, convertible48.65	A2612 63	LINER SET - rear door glass run/coupe, (pr) . 10.95
B6477 64-67	RUN - window, at rear of door, RH, convertible48.65	B0593 63	MOLDING - outer window seal, coupe door (used) LH295.00
B2687 63-67	SCREW SET - metal wedges, (8 pc.)4.15	B0594 63	MOLDING - outer window seal, coupe door (used) RH295.00
B2649 63-67	SCREW SET - vent window regulator mounting, convt, (6 pc.)5.55	B2734 64-67	MOLDING - outer window seal, coupe door (used) LH195.00
B2690 63-67	SCREW SET - weatherstrip end & window track, (pr)3.35	B2735 64-67	MOLDING - outer window seal, coupe door (used) RH150.00
B2616 63-67	SCREW SET - window stop, convertible, (2 pc.) 1.85	B2736 64-67	MOULDING - LH rear outer lower side window /coupe, used original95.00
B9254 63-67	SCREW SET - windshield pillar weatherstrip retainer, (8 pc.)6.30	B2737 64-67	MOULDING - RH rear outer lower side window /coupe, used original95.00
B2629 63-67	SEAL SET - convertible, outer window, (pr) .20.60	B6978 63-67	MOULDING - rear outer lower side window /coupe, LH35.00
B2630 63-67	SEALS - inner window on convertible door panel, stainless steel top with black metal backing & original type fuzzy material to protect glass, (pr)57.10	B6979 63-67	MOULDING - rear outer lower side window /coupe, RH35.00
B2688 63-67	SHIM - metal wedge on door2.95	B6997 64-67	MOULDING SET - rear outer lower side window /coupe, pr67.95
A2606 63-67	STAPLE SET - door panel seals/felts, (25 pc.) 4.95	B6994 63-67	MOULDING - vent window/ coupe inner vertical LH, stainless steel50.00
B2617 63-67	STOP SET - w/screws, front upper window,(pr) 19.25	B6995 63-67	MOULDING - vent window/ coupe inner vertical RH, stainless steel50.00
B2775 63-67	STUD & NUT SET - vent window, lower, (4 pc.) 18.15	B6992 63-67	MOULDING - vent window/coupe outer LH vertical, stainless steel50.00
B2674 63-67	STUD SET - vent window assembly mounting, convertible, (pr)6.75	B6993 63-67	MOULDING - vent window/coupe outer RH vertical, stainless steel50.00
B2659 63-67	WEDGE KIT - convertible door align, LH & RH plastic wedge (for Striker pillars) LH & RH metal wedge (for door), 4 shims & 8 screws39.25	B3421 63-67	MOUNT KIT - hinge pillar weatherstrip, coupe, (6 screws & 2 rivets)5.00
B2686 63-67	WEDGE SET - metal on door, (pr)12.00	B2638 63-67	'T' PIVOT - vent wing lower post, LH w/rivets18.00
A6917 63-67	WINDOW REGULATOR RESTORATION - door window, w/o power windows, LH, includes replacement of window crank gears, regulator gear, rollers & more as required, exchange149.95	B2637 63-67	'T' PIVOT - vent wing lower post, RH w/rivets18.00
A6918 63-67	WINDOW REGULATOR RESTORATION - door window, w/o power windows, RH, includes replacement of window crank gears, regulator gear, rollers & more as required, exchange149.95	B2645 63-64	REGULATOR - vent window, coupe, LH146.00
B2675 63-67	WINDOW REGULATOR RESTORATION - vent window, rebuild your regulator, LH or RH send yours in89.95	B2648 63-64	REGULATOR - vent window, coupe, RH146.00
		B2644 65-67	REGULATOR - vent window, coupe, LH146.00
		B2647 65-67	REGULATOR - vent window, coupe, RH146.00
		B2675 63-67	REGULATOR RESTORATION - Vent window, rebuild your regulator, LH or RH, yours must be sent in in advance89.95

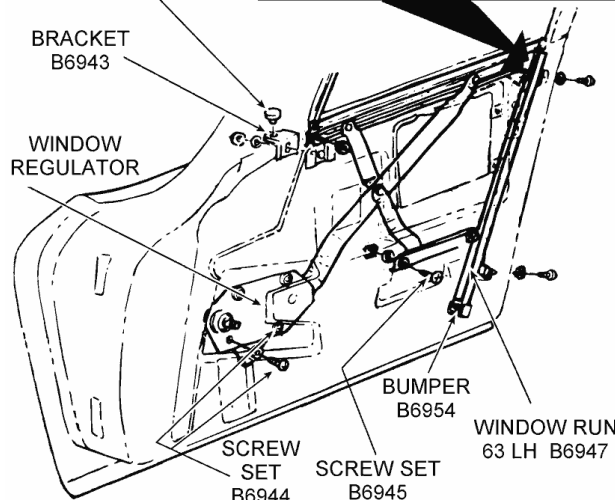
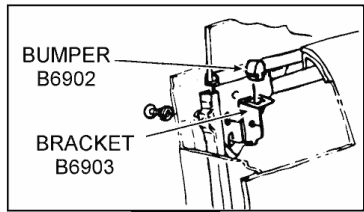
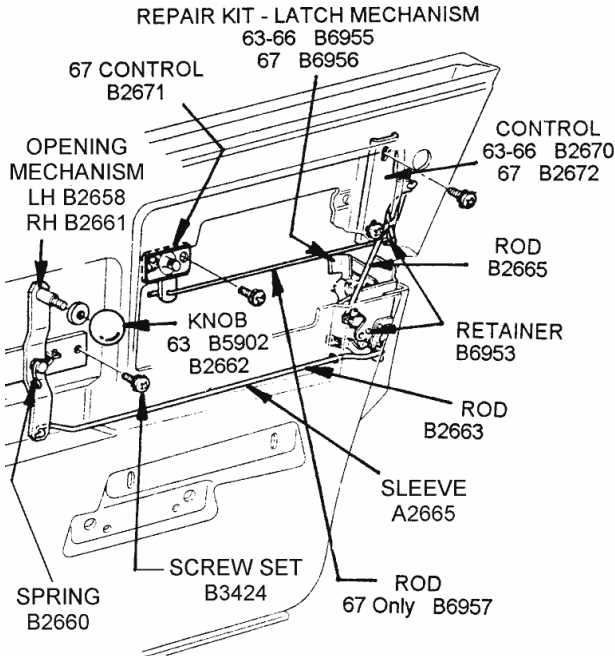
Coupe



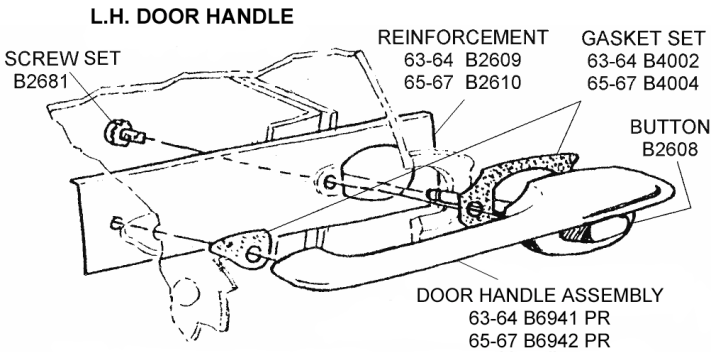
B2623 63-67	BOLT SET - vent window regulator bracket to door, coupe, (6 pc.)4.50	B2691 63-67	RUN & MOUNT KIT - coupe door glass, front guide, curved, w/holes as original, (pr)48.60
B6950 63-67	BRACKET - vent regulator, coupe, LH15.50	B6947 63	RUN - window, at rear of door, LH47.00
B6952 63-67	BRACKET - vent regulator, coupe, RH15.50	B6973 63	RUN - window, at rear of door, RH47.00
B2619 64-67	CHANNEL/RUN SET - upper & rear window channel, (pre-bent w/clips installed) (pr) . .114.65	B6974 64-67	RUN - window, at rear of door, LH, coupe47.00
B2666 63	CHANNEL/RUN SET - upper & rear window channel, (pre-bent w/clips installed, w/metal reinforcement)183.95	B6475 64-67	RUN - window, at rear of door, RH, coupe47.00
B2618 63	CHANNEL/RUN SET - upper & rear window channel, (pre-bent w/clips installed, w/o metal reinforcement) (pr)94.50	B2613 63-67	RUN SET - front door window, pre-bent w/holes, (pr)48.60
B2620 63-67	CLIP SET - upper window channel felt push-in, (16 pc.)11.25	B0592 63-67	SCREW SET - vent regulator bracket to coupe door, (6 pc.)5.75
		B0591 63-67	SCREW SET - vent window 'T' post to vent regulator, (2 pc.)2.25
		B2655 63-67	SCREW SET - vent window frame, (12 pc.)3.10
		B2669 63-67	SCREW SET - vent window regulator, (12 pc.) . .5.85
		B9213 63-67	SEAL KIT - outer window, (pr)24.00

B2628	63-67	SEAL SET - inner window on coupe door panel (pr)	57.10
B4800	63-67	SPACER SET - rear window coupe	12.10
A2606	63-67	STAPLE SET - door panel seals/felts, (25 pc.)	4.95
B2775	63-67	STUD & NUT SET - vent window, lower, (4 pc.)	18.15
A2613	63-67	TAPE SET - side window glass to channel filler, (pr)	10.95

General



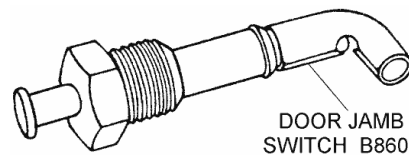
B6959	63-65	ACCESS PLATE - door, front, small, LH	19.75
B6960	63-65	ACCESS PLATE - door, front, small, RH	19.75
B6961	63-65	ACCESS PLATE - door, rear, large, LH	19.75
B6962	63-65	ACCESS PLATE - door, rear, large, RH	19.75
A6132	63-67	BEZEL/ESCUTCHEON - door lock, (2 req.) (ea)	8.95
B2776	63-67	BOLT SET - vent window rod to vent crank mechanism, (pr)	2.10
B6954	63-67	BUMPER - rear lower window channel	1.40
B0598	63-67	FASTENER SET - window roller track	3.95
B4002	63-64	GASKET SET - door handle outer, (4 pc.)	5.00
B4004	65-67	GASKET SET - door handle outer, (4 pc.)	5.00
A4024	63-67	GASKET SET - door locks, (pr)	3.00
B2627	63-67	GEAR - window regulator, w/o power windows, steel	36.00



63-64 Door Handles are used on doors with raised handle mounting pads.
65-67 Door Handles fit doors with no mounting pads.

B6941	63-64	HANDLE KIT - outside doors, complete, incl. handles, buttons, gaskets, screws, retainers, springs, (pr)	72.95
B6942	65-67	HANDLE KIT - outside doors, complete, incl. handles, buttons, gaskets, screws, retainers, springs, (pr)	95.95
B2662	64-67	KNOB - door open, chrome, (ea)	15.55
B2740	63-66	LATCH MECHANISM - door, at rear, LH, (used) (recond.)	99.95
B2742	67	LATCH MECHANISM - door, at rear, LH, (used) (recond.)	249.95
B2741	63-66	LATCH MECHANISM - door, at rear, RH, (used) (recond.)	99.95
B2743	67	LATCH MECHANISM - door, at rear, RH, (used) (recond.)	249.95
B2670	63-66	LOCK CONTROL - inside door remote opening, (2 req.) (ea)	27.95
B2671	67	LOCK CONTROL - inside door remote, front w/knob shaft, (ea)	25.95
B2672	67	LOCK CONTROL - inside door remote, rear w/o knob shaft, (ea)	25.95
B6958	63-67	MOUNT KIT/RIVETS - front window run, (4 pc.)	2.15
B5937	67	NUT PLATE & RIVET KIT - arm rest screws, mounts to door, w/2 rivets, (2 req.) (ea)	8.15
B5589	63-66	NUT PLATE & RIVET KIT - arm rest screws, rivets to door, w/2 rivets, (2 req.) (ea)	8.15
B0611	63-66	NUT PLATE W/RIVETS - armrest screws, (2 req.)	7.95
B0612	67	NUT PLATE W/RIVETS - armrest screws, (2 req.)	7.95
B2658	63-67	OPENING MECHANISM - door, LH	17.50
B2661	63-67	OPENING MECHANISM - door, RH	17.50
A2634	63-67	PROTECTOR SHIELD SET - door open mechanism, (pr)	6.00
B2608	63-67	PUSH BUTTON KIT - door handles w/springs, (pr)	18.25
B2676	63-67	REGULATOR - window, w/o power windows, restored, LH	224.95
B2677	63-67	REGULATOR - window, w/o power windows, restored, RH	224.95
B2675	63-67	REGULATOR RESTORATION - Vent window, rebuild your regulator, LH or RH, yours must be sent in in advance	89.95
B2609	63-64	REINFORCEMENT SET - door handle, (pr)	15.70
B2610	65-67	REINFORCEMENT SET - door handle, (pr)	10.85
B0609	63-67	REINFORCEMENT W/RIVETS - door pull, (ea)	21.75
B6955	63-66	REPAIR KIT - door latch mechanism, LH & RH	38.35
B6956	67	REPAIR KIT - door latch mechanism, LH & RH	46.60
A6130	63-66	RETAINER - door lock	8.30
B6103	67	RETAINER - door lock	4.50
B2624	63-67	RETAINER SET - door handle push button, (pr)	4.25
B6953	63-67	RETAINER SET - door pull lock rod clips, flat, (2 pc.)	2.40
B2784	65	RIVET & 'T' NUT SET - door pull	5.00
B2683	63-67	RIVET KIT - front window run, (4 pc.)	3.25
B0597	63-67	RIVET SET - outer window seal, (8 pc.)	2.20
B2611	63-64E	ROD - door lock cylinder, down, LH	5.95
B2612	63-64E	ROD - door lock cylinder, down, RH	5.95
B6155	64L-66	ROD - door lock cylinder, down, LH	6.80
B6157	64L-66	ROD - door lock cylinder, down, RH	6.80
B6158	67	ROD - door lock cylinder, down, LH	8.45
B6159	67	ROD - door lock cylinder, down, RH	8.45
B6957	67	ROD - inside horizontal door lock	9.35
B2665	63-67	ROD - vertical, inside door lock knob to mechanism	6.60
B2663	63-67	ROD - door open pull (mechanism to lock assembly, lower horizontal)	15.00
B6946	63-67	ROLLER TRACK - upper window regulator, (long)	20.50
B6948	63-67	ROLLER TRACK - upper window regulator, (short)	20.25
B6963	63-65	SCREW & 'U' NUT KIT - door access plates, (24 pc.)	7.95
B2783	63-67	SCREW & WASHER SET - window channel	2.60

- B2777 63-64 SCREW PLATES & RIVET KIT - door panel, (36 pc.)24.00
- B2778 65-67 SCREW PLATES & RIVET KIT - door panel, (20 pc.)20.00
- B2681 63-67 SCREW SET - door handles, (4 pc.)2.60
- B3424 63-67 SCREW SET - door latch mechanism, rear of door (8 pc.)4.80
- B3420 63-67 SCREW SET - outer window seal, (12 pc.)4.20
- B0015 63-67 SCREW SET - rear window run channel mounting, (4 pc.)3.35
- B0596 63-67 SCREW SET - rear window run mount (4pc)2.85
- B2744 63-67 SCREW SET - remote locking mechanism/door, (4 pc.)3.65
- B0613 63-67 SCREW SET - vent window regulator mounting (conv) (6pc)5.95
- B6944 63-67 SCREW SET - window regulator to door, (8 pc.) 8.75
- B6945 63-67 SCREW SET - window roller track3.90
- B2651 63-67 SEAL SET - vent window regulators, behind door panel foam, (pr)3.15
- A2644 63-67 SEAL SET - window regulator, behind door panel foam, (pr)6.35
- A2665 63-67 SLEEVE SET - door open pull rods, cloth, (pr) 9.20
- B2682 63-67 SPRING - door push button3.35
- B2660 63-67 SPRING SET - door pull (open) mechanism, (pr) 5.50
- G2600 56-62 STRIP CAULK - door access plates, (10 1-foot strips)6.45
- B2577 63-67 TAPE SET - side window glass channel filler, (pr)9.85
- B2779 63-67 TRIM - vent window, LH, inner, stainless steel, (used)70.00
- B2780 63-67 TRIM - vent window, RH, inner, stainless steel, (used)70.00
- B2781 63-67 TRIM - vent window, LH, outer, stainless steel, NOS90.00
- B2782 63-67 TRIM - vent window, RH, outer, stainless steel, NOS90.00
- B5585 63-66 VAPOR BARRIER SET - between door & door panel, paper, (pr)26.65
- B5921 67 VAPOR BARRIER SET - between door & door panel, plastic, 63-66 (repl.) (pr)24.95
- B2668 65-67 WASHER - door lock knob to door panel, (plastic)1.65



DOOR JAMB SWITCH B8606

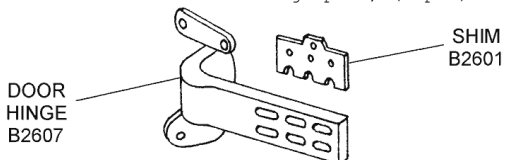
- B8606 63-67 SWITCH - door jamb, light courtesy14.95
- B2659 63-67 WEDGE KIT - door align (1 pr plastic wedges, 1 pr metal wedges, 4 shims & screws) 39.25
- B6964 63-67 WEDGE SET - door align on body, plastic, (2 pc.)22.00

Power Window Components & Kits

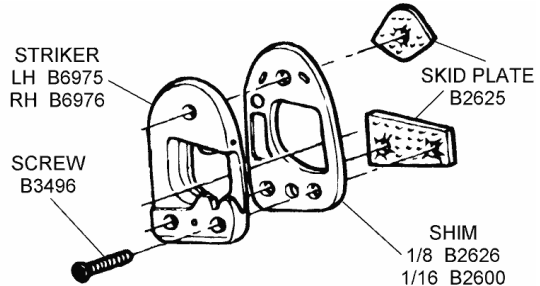
- B2696 63-67 CIRCUIT BREAKER - 67 replacement26.50
- B2695 63-66 CLIP - power window circuit breaker17.00
- B2746 63-67 CLIP SET - power window harness, under dash .6.40
- B2635 63-67 CONDUIT SET - power window harness, (pr)97.00

Hinge, Pillar & Striker

- B2673 63-67 BOLT SET - door hinge to door pillar, (does 2 doors) (40 pc.)36.20
- A2686 63-67 BUSHING SET - door hinge pins, (8 pc.)6.00



- B2607 63-67 HINGE - door, recond. w/new bushings & pins, (exchange)60.95
- A2685 63-67 PIN & BUSHING KIT - door hinge repair, (4 pins & 8 bushings)15.30
- A2684 63-67 PIN - door hinge6.85
- B2625 63-67 PLATE SET - anti-skid, door striker, (4 pc.)24.85
- B2749 63-67 SCREW SET - door align wedge, (pr)1.95
- B3496 63-67 SCREW SET - door striker, (6 pc.)7.85
- B0017 63-67 SCREW SET door alignment blocks, convertible2.45
- B2748 63-67 SHIM - door align wedge (convertible)3.70
- B0018 63-67 SHIM - door alignment block, convertible3.15
- B2601 63-67 SHIM - door hinge6.55
- B2600 63-67 SHIM - door striker, (.06' / 1/16' thick)9.95
- B2626 63-67 SHIM - door striker, (.12' or 1/8' thick)9.95
- B2678 63-67 SPRING & RIVET KIT - door hinge striker13.95

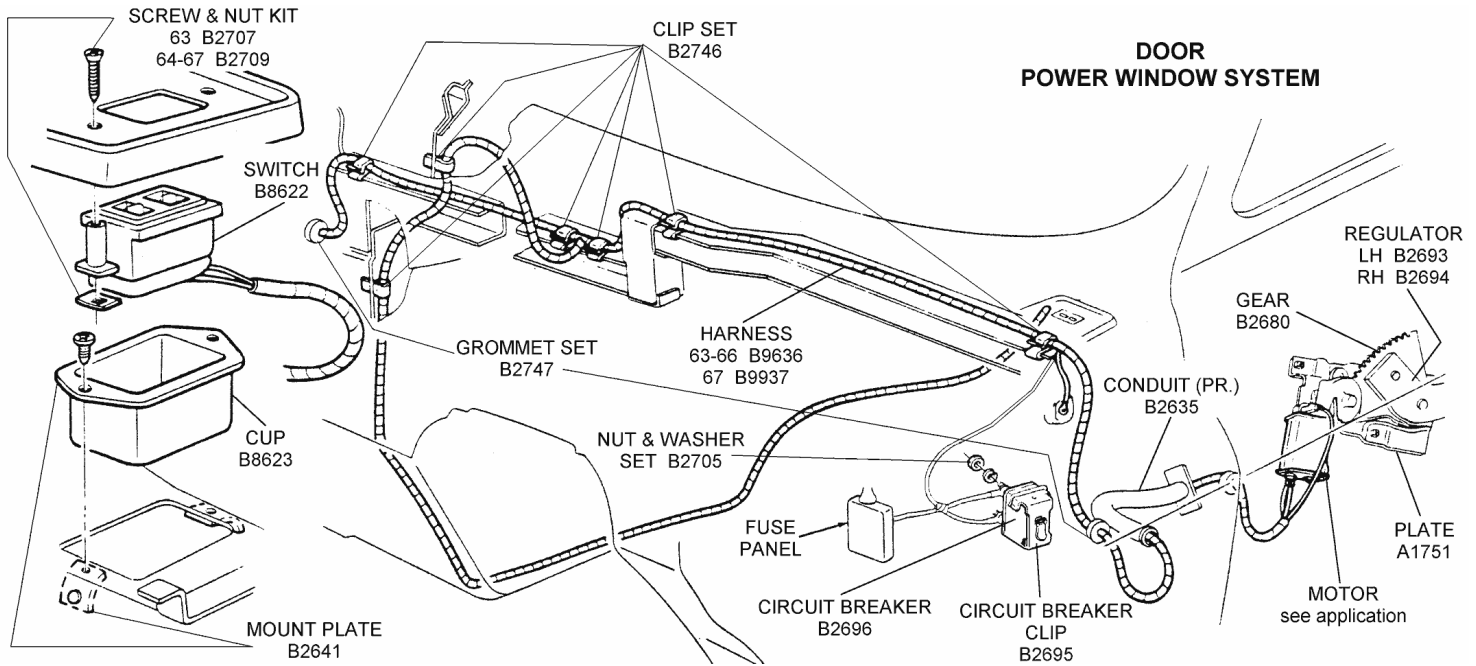


- B6975 63-67 STRIKER - door, LH, (recond.)79.95
- B6976 63-67 STRIKER - door, RH, (recond.)79.95

1963-67 POWER WINDOW CONVERSION KITS						
B2552	63	Conversion Kit				
B2553	63	Super Conversion Kit				
B2699	64-66	Conversion Kit				
B2540	64-66	Super Conversion Kit				
B2667	67	Conversion Kit				
B2551	67	Super Conversion Kit				
B2696	63-67	CIRCUIT BREAKER	1	1	1	1
B2695	63-67	CLIP - circuit breaker	1		1	
B2746	63-67	CLIP SET - harness	1		1	
B2635	63-67	CONDUIT SET	1	1	1	1
B8623	63-67	CUP - switch	1	1	1	1
A2615	63-67	GEAR - motor, plastic	2	2	2	2
B2747	63-67	GROMMET SET - body	1		1	
B9937	63-66	HARNESS - power window			1	1
B9937	67	HARNESS - power window	1			
A2675	63-67	MOTOR - LH	1	1	1	1
A2677	63-67	MOTOR - RH	1	1	1	1
B2705	63-67	MOUNT KIT - circuit breaker	1		1	
B2705	63-67	MOUNT PLATE KIT - switch cup	1		1	
B2693	63-67	REGULATOR - LH	1	1	1	1
B2694	63-67	REGULATOR - RH	1	1	1	1
B8635	67	RELAY	1	1		
B2713	67	SCREW SET - circuit breaker	1	1		
B2703	67	SCREW SET - relay mounting	1	1		
B2707	63	SCREW & NUT KIT - switch				1
B2709	64-67	SCREW & NUT KIT - switch	1	1	1	1
B2745	63-67	SCREW SET - motor mounting	1	1	1	1
B8622	63-67	SWITCH - power windows	1	1	1	1

1963-67 non-power regulator must be returned to Chicago Corvette Supply. There is a \$300 core charge (refundable upon us receiving your power or non-power window regulator core.)

- B2552 63 CONVERSION KIT / POWER WINDOWS - standard version / see chart for details599.95
- B2699 64-66 CONVERSION KIT / POWER WINDOWS - standard version / see chart for details599.95
- B2667 67 CONVERSION KIT / POWER WINDOWS - standard version / see chart for details599.95
- B2553 63 CONVERSION KIT / POWER WINDOWS - super version / see chart for details649.95



- B2540 64-66 CONVERSION KIT / POWER WINDOWS - super version / see chart for details649.95
- B2551 67 CONVERSION KIT / POWER WINDOWS - super version / see chart for details649.95
- B8623 63-67 CUP - inserts in drive shaft tunnel31.50
- A2615 63-67 GEAR - power window motor, nylon, used29.95
- B2680 63-67 GEAR - power window regulator, steel36.00
- B2747 63-67 GROMMET SET - power window harness thru body side panel, under dash & glove box4.15
- B9936 63-66 HARNESS - power window system110.00
- B9937 67 HARNESS - power window system110.00
- B2656 63-67 MOTOR - power window regulator, LH, (rectangular)94.95
- A2675 63-67 MOTOR - power window regulator, LH, reman., exchange79.95
- B2657 63-67 MOTOR - power window regulator, RH, (rectangular)94.95
- A2677 63-67 MOTOR - power window regulator, RH, reman., exchange79.95

NOTE: New and remanufactured power window motors come without the plastic drive gear. Always keep your old one for re-use.

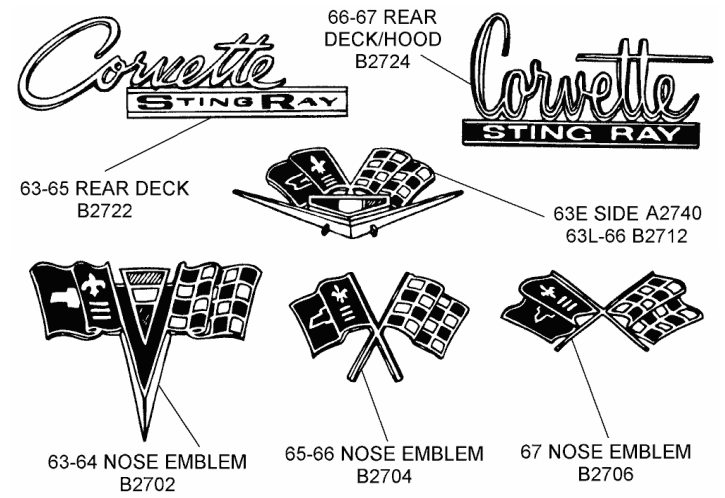
- B2641 63-67 MOUNT PLATE - power window switch cup, w/screws & rivets8.55
- B2705 63-67 NUT & LOCK WASHER SET - power window circuit breaker1.00
- A1751 63-67 PLATE - power window gear attaching59.95

NOTE: Plate A1751 can be used to convert any standard window regulator to a power window regulator. A2680 gear is also required.

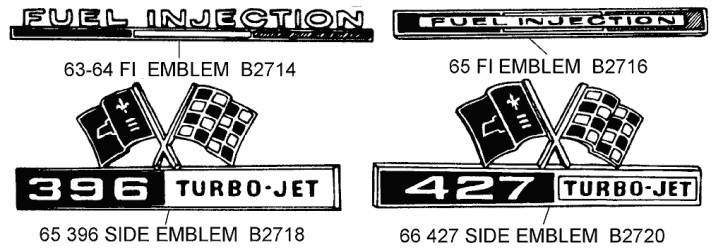
- B2693 63-67 REGULATOR RESTORATION - power window conversion, (requires exchange of power or non-power regulator), LH169.95
- B2694 63-67 REGULATOR RESTORATION - power window conversion, (requires exchange of power or non-power regulator), RH169.95
- B8635 67 RELAY - power window46.75
- C2625 63-67 RIVET/RETAINER - power window regulator, holds bracket, gear & arms together8.95
- B2785 63-67 SCREW & NUT KIT - power window conduits, (8 pc.)1.05
- B2707 63 SCREW & NUT KIT - power window switch4.15
- B2709 64-67 SCREW & NUT KIT - power window switch1.60
- B2713 67 SCREW SET - power window circuit breaker, (2 pc.)1.05
- B2745 63-67 SCREW SET - power window motor mounting, (6 pc.)5.00
- B2703 67 SCREW SET - power window relay1.00
- C2611 63-67 SPRING - power window regulator25.90
- B8622 63-67 SWITCH - power window62.20

EMBLEMS

- B2723 63-65 EMBLEM - 'Corvette', rear deck lid45.00
- B2722 63-65 EMBLEM - 'Corvette', rear deck, show quality54.95
- B2724 66-67 EMBLEM - 'Corvette', 66 on hood, 66-67 rear deck lid152.95
- B2726 63-65 EMBLEM - 'crossed flags', fuel injection plenum cover48.30



- B2702 63-64 EMBLEM - 'crossed flags', nose55.10
- B2751 65 EMBLEM - 'crossed flags', nose, show quality, red rectangle on flag56.05
- B2752 66 EMBLEM - 'crossed flags', nose, show quality, maroon rectangle on flag73.30
- B2706 67 EMBLEM - 'crossed flags', nose39.00
- A2740 63E EMBLEM SET - 'crossed flags', side fender, front (Sept. 62 only) (pr)57.95
- B2712 63L-66 EMBLEM SET - 'crossed flags', side fender, show quality, (pr)71.20



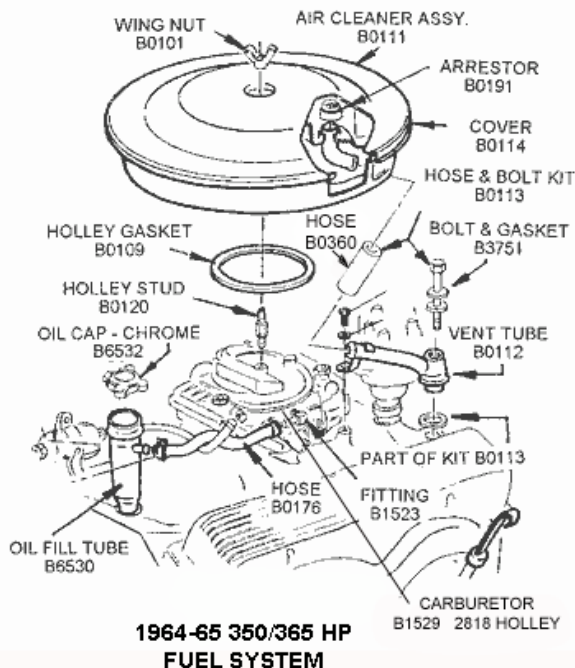
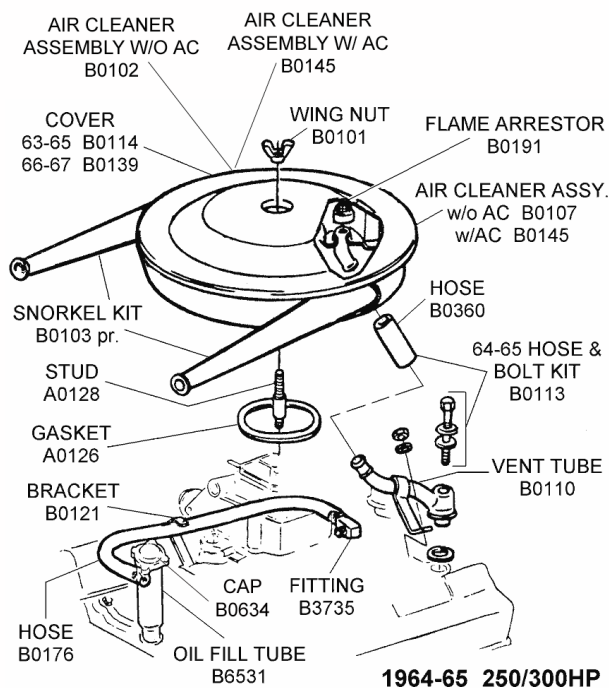
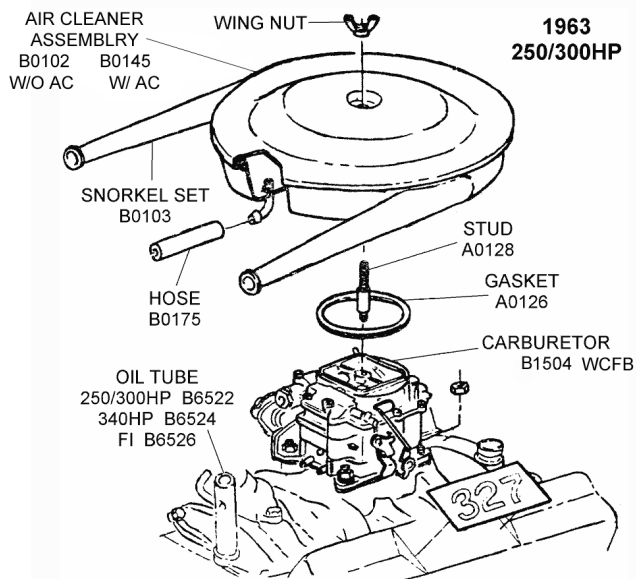
- B2714 63-64 EMBLEM - 'Fuel Injection', side fender, (2 req.) (ea)35.75
- B2716 65 EMBLEM - 'Fuel Injection', side fender, (2 req.) (ea)34.95
- B2728 67 EMBLEM - hood number '2'16.50
- B2727 67 EMBLEM - hood number '4'16.50
- B2729 67 EMBLEM - hood number '7'7.80
- B2730 67 EMBLEM KIT - '427' hood numbers, (6 pc.)42.95
- B2718 65 EMBLEM SET - '396', side fender, (pr)65.00
- B2720 66 EMBLEM - '427', side fender w/nuts69.50
- B2731 65 EMBLEM SET - 'Fuel Injection', side fender, show quality, (pr)56.95
- B9408 65-66 EMBLEM SET - hub cap spinner, on checkered flag, upper LH corner is white, (4 pc.)37.95

B2762	63	NUT SET - emblems & hood grilles	7.80
B2763	64	NUT SET - emblems	4.50
B2764	65	NUT SET - emblems	4.95
B2765	66	NUT SET - emblems	7.35
B2766	67	NUT SET - emblems w/327	3.50
B2767	67	NUT SET - emblems w/427	7.55
B2715	63-64	NUT SET - nose emblem mounting, large pin, (3 pc.)	1.25
B2717	65-66	NUT SET - nose emblem mounting, small pin, (3 pc.)	1.45
B2719	67	NUT SET - nose emblem mounting, small pin, (2 pc.)	1.10
B2701	63-67	NUT SET - rear emblem mounting, (5 pc.)	1.75

ENGINE ASSEMBLY & COMPONENTS: AIR CLEANERS, ALTERNATORS, BLOCKS, CARBURETORS, DISTRIBUTORS, EXHAUST MANIFOLDS, FUEL PUMPS, HEADS, IGNITION SHIELDING, INTAKE MANIFOLDS, STARTERS, VALVE COVERS, WATER PUMPS & MORE

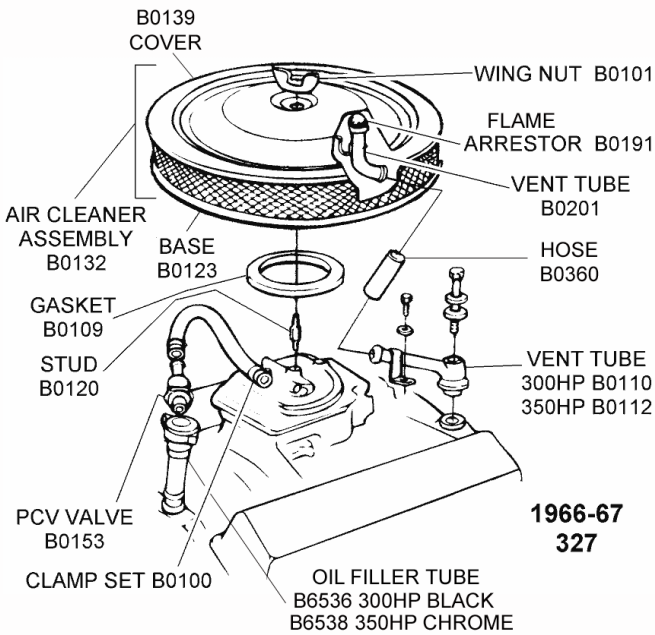
Air Cleaner System

Air Cleaner System: 1963-65, 327, 4 Barrel

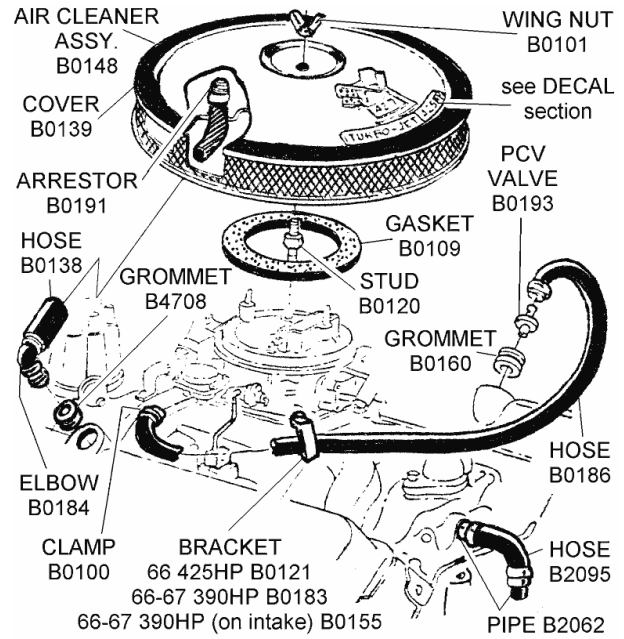


B0102	63	AIR CLEANER ASSEMBLY - 250/300hp dual snorkel w/chrome lid and filter	324.65
B0145	63	AIR CLEANER ASSEMBLY - 250/300hp w/AC, dual snorkel w/chrome lid and filter	449.95
B0104	63	AIR CLEANER ASSEMBLY - 340hp, w/filter	348.80
B0107	64-65	AIR CLEANER ASSEMBLY - 250/300hp dual snorkel w/chrome lid and filter	372.90
B0154	64-65	AIR CLEANER ASSEMBLY - 250/300hp w/AC, dual snorkel w/filter	417.00
B0111	64-65	AIR CLEANER ASSEMBLY - 350/365hp, w/filter	349.95
A2856	66-67	BOLT & SEAL KIT - crankcase vent tube	4.25
B0121	64-65	BRACKET/CLIP - PCV hose, on 3rd intake bolt from front, RH side	12.45
B0100	64-67	CLAMP SET - PCV hose, (pr)	3.00
B0115	63-65	FILTER & SCREEN - air cleaner, foam	47.10
B0174	63-65	FILTER - air cleaner, foam	18.15
B0129	63-65	FILTER - air cleaner, paper replacement	23.30
B3735	64-65	FITTING - vacuum restriction, AFB/WCFB 1x4, vacuum, carburetor rear AFB	13.00
B0133	64-65	FITTING - vacuum, AFB/WCFB/FI	13.45
B1523	64-65	FITTING - vacuum, Holley #2818, 327 / 350-365hp mounts on LH side for PCV hose (#2818 carb will not function properly w/o this fitting)	19.95
B0032	65	FITTING - vacuum, Holley #3124, 396/425hp, mounts on LH side for PCV hose	5.15

B0125	63	FITTING/ADAPTER - PCV back of carburetor, w/o AC	7.55
B0146	63	FITTING/ADAPTER - PCV, back of carburetor, w/AC & P.B.	34.50
B0137	63	FITTING/ADAPTER - PCV, back of carburetor, w/AC, w/o P.B.	29.95
B0191	64-65	FLAME ARRESTOR - in air cleaner	8.25
A0126	63-65	GASKET - air cleaner to carburetor, WCFB	4.35
A3847	63-65	GASKET - air cleaner to carburetor, AFB	2.60
B0109	64-67	GASKET - air cleaner to carburetor, HOLLEY	3.35
B0106	63-64E	HOSE & GROMMET KIT - crankcase vent tube, (w/GM logo)	11.25
B0004	64-65	HOSE - for Holley #2818/3124 RH (generic)	5.25
B0175	63	HOSE - PCV, oil filler tube to carburetor, (except FI)	8.00
B0198	64-65	HOSE - PCV, oil filler tube to carburetor, 250/300hp, w/GM logo	11.90
B0176	64-65	HOSE - PCV, oil filler tube to carburetor, 350/365hp, w/GM logo	10.80
B0360	64-65	HOSE - rear crankcase vent tube to air cleaner	6.10
B0113	64-65	HOSE, SEAL & BOLT KIT - crankcase vent tube	9.75
B0114	63-65	LID/COVER - air cleaner	14.75
A2876	63	PCV VALVE - silver (on back of carburetor)	16.00
B0118	63-65	SCREEN - air cleaner filter	28.35



1966-67
327

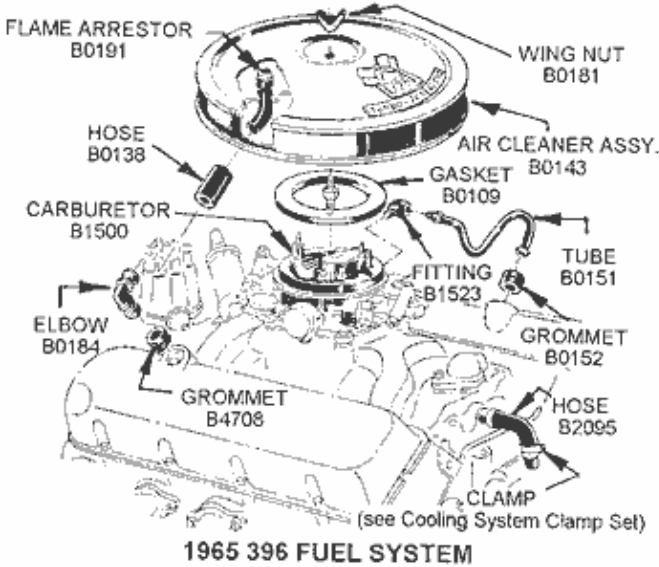


1966-67 427

B0103	63-65	SNORKEL SET - 250/300hp air cleaner, (pr)	124.95
A0128	63-65	STUD - air cleaner, Carter AFB/WCFB carburetor	7.85
B0120	64-65	STUD - air cleaner, Holley carburetor	5.45
B3751	64-65	STUD, NUT & WASHER - crankcase vent tube attaching	5.55
B0105	63-64E	TUBE - crankcase vent, rear of block	19.05
B0110	64-65	TUBE - crankcase vent, rear of block, 250/300hp	58.30
B0112	64-65	TUBE - crankcase vent, rear of block, 350/365hp	58.30
B0101	63-65	WING NUT - air cleaner, chrome	2.95

B0141	66-67	FILTER - air cleaner, w/correct bias mesh screen	60.95
B0191	65-67	FLAME ARRESTOR - in air cleaner	8.25
B0109	65-67	GASKET - 1x4 air cleaner to carburetor, Holley	3.35
B0152	65	GROMMET - crankcase vent tube, LH, in valve cover	12.10
A4708	65-67	GROMMET - valve cover, RH	5.00
B2874	66-67	HOSE - PCV, (cut to fit) (Calif. A.I.R.)	9.00
B0360	65-67	HOSE - rear crankcase vent only	6.10
B0138	65-67	HOSE - vent, valve cover to air cleaner	6.00
B0119	66	PCV VALVE - CV #691C, NOS	3.65
B0193	66-67	PCV VALVE - CV #736C	8.00
B0120	65-67	STUD - air cleaner, Holley carburetor	5.45
B0201	66-67	TUBE - air cleaner vent, welds into air cleaner base	34.50
B0151	65	TUBE - crankcase vent, rear of block, 396/425hp	31.40
B0181	65	WING NUT - air cleaner, black, 396	3.40
B0101	66-67	WING NUT - air cleaner, chrome	2.95

Air Cleaner System: 1965-67, 396/427 - 4 Barrel (except L88)



1965 396 FUEL SYSTEM

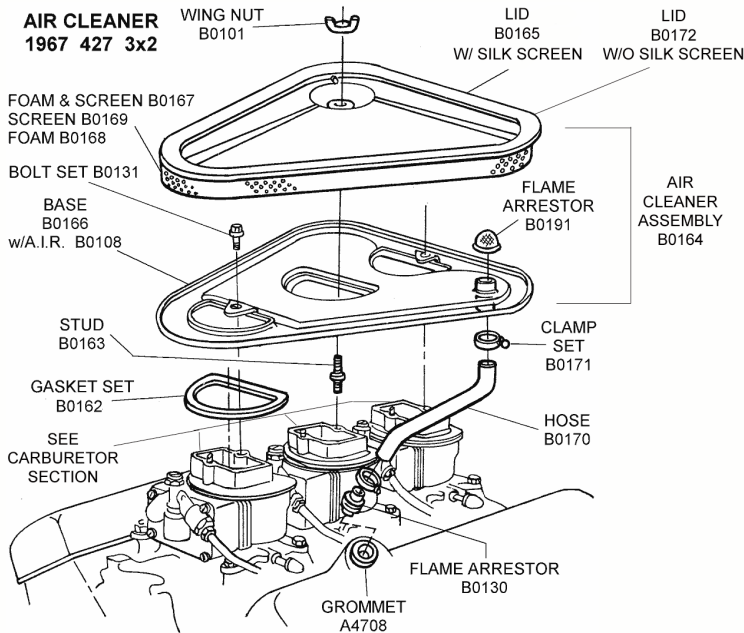
B0148	66-67	AIR CLEANER ASSEMBLY	129.95
B0143	65	AIR CLEANER ASSEMBLY - w/black cover, 396	184.25
B0149	65-67	BASE - air cleaner, 396/427 except 3x2	131.95
B0150	66-67	BASE - air cleaner, 427 A.I.R., 390hp	140.10
B0155	66-67	BRACKET/CLIP - PCV hose on 2nd intake, bolt from front left side, 427/390hp	12.45
B0183	66-67	BRACKET/CLIP - PCV hose RH front carburetor stud, 427/390hp	12.85
B0100	67	CLAMP SET - PCV hose, (pr)	3.00
B0144	65	COVER - air cleaner, black, 396/425HP	43.75
B0139	66-67	COVER - air cleaner, w/silk screen instructions	85.00
B0184	65-67	ELBOW - PCV, 396/427, 90 degree in RH valve cover	14.85
B2864	65-67	ELBOW - PCV, 396/427, 900 elbow in valve cover, (except 3x2)	13.75
B0140	65-67	FILTER - air cleaner, current AC product (all except 3x2) (repl)	11.55

Air Cleaner System: 1966-67, 327, 4 Barrel

B0132	66-67	AIR CLEANER ASSEMBLY - w/o A.I.R.	129.95
B0123	66-67	BASE - air cleaner, standard, w/o A.I.R.	92.10
B0136	66	BASE - air cleaner w/ A.I.R., w/stud	145.70
B0142	67	BASE - air cleaner w/ A.I.R., w/o stud	140.10
A2856	66-67	BOLT & SEAL KIT - crankcase vent tube	4.25
B0100	66-67	CLAMP SET - PCV hose, (pr)	3.00
B0177	66-67	COVER - air cleaner, w/o silk screen	77.50
B0139	66-67	COVER - air cleaner, w/silk screen instructions	85.00
B0161	66-67	FILTER - air cleaner (except 3x2), K&N hi-perf., low restriction	54.75
B0140	66-67	FILTER - air cleaner, current AC product (all except 3x2) (repl)	11.55
B0141	66-67	FILTER - air cleaner, w/correct bias mesh screen	60.95
B0191	66-67	FLAME ARRESTOR - in air cleaner	8.25
B0109	66-67	GASKET - 1x4 air cleaner to carburetor, Holley carburetor	3.35
B2874	66-67	HOSE - PCV, (cut to fit) (Calif. A.I.R.)	9.00
B0360	66-67	HOSE - rear crankcase vent tube to air cleaner	6.10
B0113	66-67	HOSE, SEAL & BOLT KIT - crankcase vent tube	9.75
B0153	66-67	PCV VALVE - CV726C, NOS	25.00
B1093	66-67	PCV VALVE - (repl.)	8.00
B0185	66-67	SERVICE KIT - K&N filters, (cleaner & oil)	15.45
B0120	66-67	STUD - air cleaner, Holley carburetor	5.45
B0343	66-67	TUBE - air cleaner vent, welds into air cleaner base	23.40
B0135	66-67	TUBE - crankcase vent, rear of block, 300hp	58.30
B0112	66-67	TUBE - crankcase vent, rear of block, 350hp	58.30
B0101	66-67	WING NUT - air cleaner, chrome	2.95

Air Cleaner System: 1967 - 427 Tri Power

B0351	67	AIR CLEANER ASSEMBLY - base, lid w/o silk screened instruction, foam element w/screen & wing nut	395.00
-------	----	--	--------



- B0164 67 AIR CLEANER ASSEMBLY - base, lid w/silk screened instructions, foam element w/screen & wing nut450.00
- B0196 67 AIR CLEANER ASSEMBLY - w/ A.I.R - base w/special tube, lid, screen & element495.00
- B0166 67 BASE - air cleaner (427) (3x2)275.00
- B0108 67 BASE - air cleaner, (Calif. AIR)345.00
- B0131 67 BOLT SET - air cleaner base to end carburetor, (2 pc.)2.95
- B0100 67 CLAMP SET - PCV hose, (pr)3.00
- B0171 67 CLAMP SET - tower style, air cleaner to valve cover hose, (pr)7.85
- B0182 67 ELEMENT - 3x2 air cleaner, K&N, does not require screen67.25
- B0168 67 FILTER - air cleaner, foam / as original28.45
- B0130 67 FLAME ARRESTOR29.95
- B0162 67 GASKET SET - air cleaner to carburetors, 3x2, (3 pc.)8.00
- B0160 67 GROMMET - PCV valve, w/3x2, RH, 427, (ea)3.25
- B0173 67 HOSE - PCV, RH side intake manifold to RH valve cover15.70
- B0165 67 LID/COVER - air cleaner, w/silk screened instructions170.00
- B0172 67 LID/COVER - air cleaner, w/o silk screened instruction on bottom135.00
- HOSE B0173
- PCV VALVE B0193
- GROMMET B0160
- CLAMP B0100
- B0193 67 PCV VALVE - CV #736C8.00
- B0169 67 SCREEN - 3X2, air cleaner element, (stainless steel)30.20
- B0163 67 STUD - air cleaner (3x2)7.25
- B0199 67 TAG - PCV valve, '736C'3.50
- B0101 67 WING NUT - air cleaner, chrome2.95

Air Cleaner System: 1967, 427/L88

- B0197 67 BASE - air cleaner, L88102.60
- B0156 67 LID - air cleaner, 427/L88, black44.85
- B0157 67 SCREEN - air cleaner, (427/L88)16.90
- B0158 67 SCREEN - air cleaner, in hood, (427/L88)42.60
- B0159 67 SEAL/FOAM - air cleaner, in hood, (427/L88)15.70

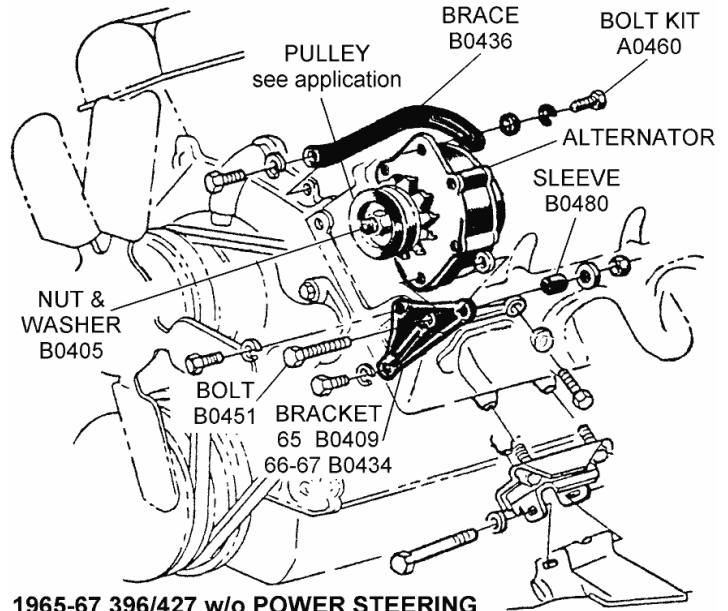
Alternator & Related

Alternator - Voltage Regulator

- B7172 63-64 CAPACITOR - on voltage regulator, GM #1960957, restored original21.00
- B7173 65-67 CAPACITOR - on voltage regulator, GM #1964086, restored21.00
- B7151 63-67 CAPACITOR - on voltage regulator21.10
- B2855 63-67 CONNECTOR PLUG - voltage regulator, w/terminals2.75

- B2867 63-67 COVER - voltage regulator, w/correct Delco script, NOS29.95
 - B2913 63-67 GASKET - voltage regulator cover, NOS/NEW4.95
 - B0439 63-67 RESTORATION - voltage regulator89.95
 - B2889 63L-67 SCREW & NUT KIT - screw/nut, voltage regulator mounting8.25
 - B2911 63-67 SCREW SET - voltage regulator cover, 2 pc.3.50
 - B2871 63 SCREW SET - voltage regulator mounting, (6 pc.)1.65
 - B0455 63-67 VOLTAGE REGULATOR - new with correct original script style 'DELCO REMY' cover on current production voltage regulator39.95
 - B2848 63-67 VOLTAGE REGULATOR - replacement21.95
 - B2840 63-67 VOLTAGE REGULATOR - current Delco production w/incorrect style Delco script on cover47.45
 - B0491 63 VOLTAGE REGULATOR - restored, original #1119512, DATED - please call for dates available!139.95
 - B0492 64-66 VOLTAGE REGULATOR - restored, original #1119515, DATED - please call for dates available!129.95
 - B0493 67 VOLTAGE REGULATOR - restored, original #1119515, DATED - please call for dates available!169.95
- NOTE:** B0491, B0492 & B0493 are fully restored with correct covers and replated bases. Capacitor (B7151) and brackets available separately. 1963 Voltage Regulators are mounted to the core support, 1964-67s mount to the inner fender. Specify month & year when ordering restored voltage regulators.
- B0050 63-67 VOLTAGE REGULATOR - Solid State, (put a Delco cover on it & it will look a like an original unit)10.95
 - B2498 63-67 VOLTAGE REGULATOR RESTORATION - your original unit restored to like new condition W/nos-new cover79.95

Alternator Brackets, Braces & Accessories - 396/427 Without Power Steering



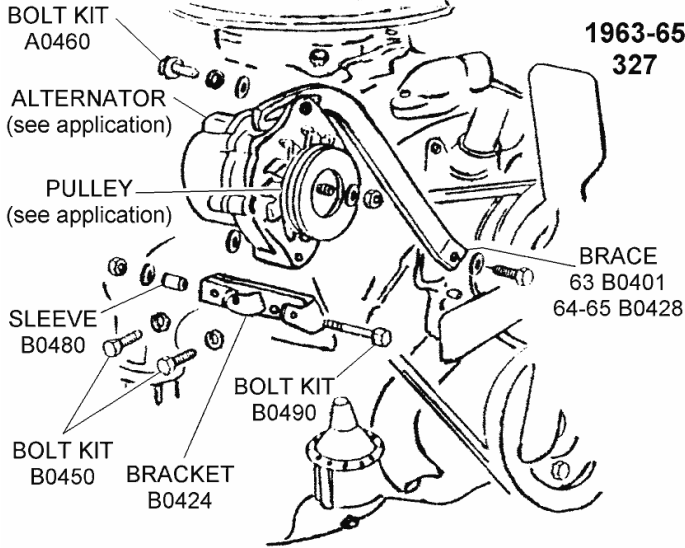
- B0451 65-67 BOLT - alternator pivot, 'TR' headmark5.20
- B0436 65-67 BRACE - alternator upper adjust20.70
- B0434 66-67 BRACKET - alternator, 427/454129.95
- B0409 65 BRACKET - w/sleeve, alternator, 396/425hp w/correct logo97.50
- B0405 65-67 NUT & WASHER KIT - alternator pulley5.00
- B0480 66-67 SLEEVE - alternator bracket, 4273.95



CHICAGO CORVETTE

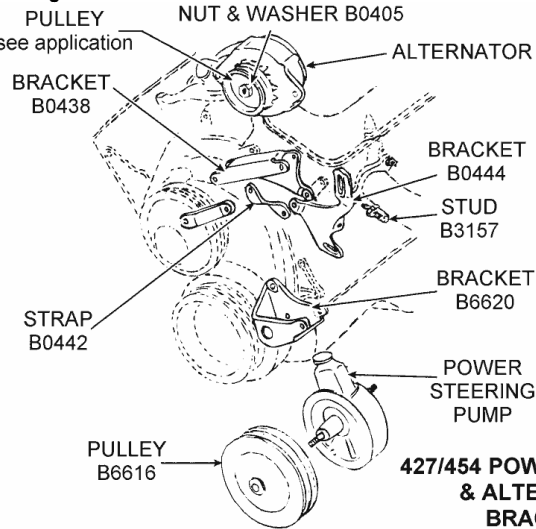
We're your 1-Stop-Shop for 1953-82
Corvette parts and accessories!

Alternator Brackets, Braces & Mounting Hardware - 327



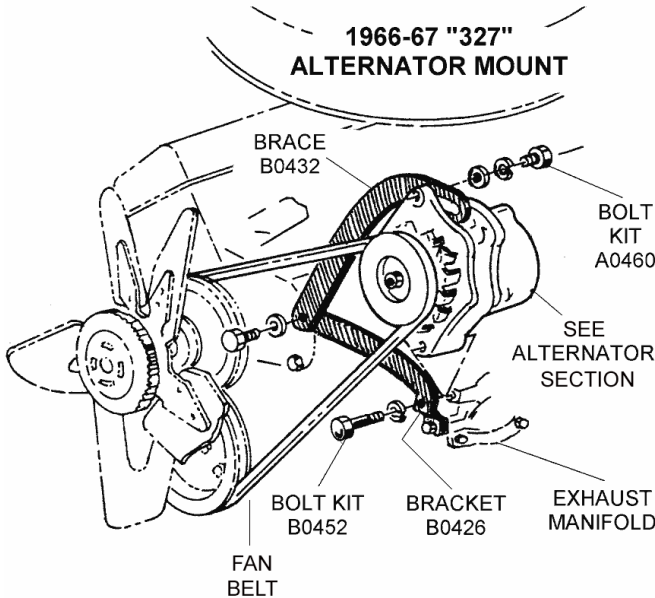
**1963-65
327**

Alternator Brackets, Braces & Mounting Hardware - 396/427 With Power Steering



**427/454 POWER STEERING
& ALTERNATOR
BRACKETS**

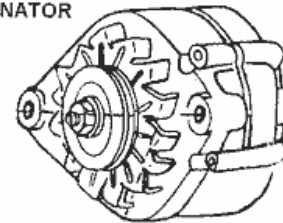
**1966-67 "327"
ALTERNATOR MOUNT**



B6659	65-67	BOLT & NUT KIT - power steering & alternator mounting, all w/427 & power steering (includes bolts for alternator bracket to head & power steering bracket to block)	14.80
B0451	65-67	BOLT - alternator pivot, 'TR' headmark	5.20
B0490	65-67	BOLT KIT - alternator pivot, 'TR' headmark	5.45
A0460	65	BOLT/ WASHER KIT - alternator brace (5/16 x 18x 1) 'WB' HM	3.00
B0440	65-67	BRACE - alternator, upper, 396/427 w/PS	14.60
B0444	65-67	BRACKET - alternator adjusting & P/S pump mount, 427	83.35
B0438	65-67	BRACKET - alternator, 396/427	56.25
B0442	65-67	STRAP - alternator lower	13.00
B3157	66-67	STUD - exhaust manifold, power steering and alternator mounting & adjusting	6.00

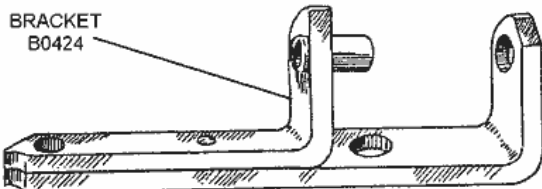
Alternators, Pulleys, Fans & Related Rebuilding Components

ALTERNATOR



All alternators are remanufactured with correct original numbers & dates. Most dates available. Over 3000 alternators in stock!

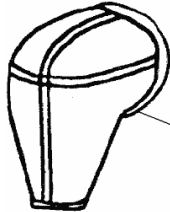
B0451	65-67	BOLT - alternator pivot, 'TR' headmark	5.20
B0450	63-65	BOLT KIT - alternator bracket to exhaust manifold all except w/AC, 'WB' headmark, (pr)	5.00
B0415	63	BOLT KIT - alternator bracket to exhaust manifold, all w/AC	3.50
B0490	63-65	BOLT KIT - alternator pivot, 'TR' headmark	5.45
B0452	66-67	BOLT KIT - alternator pivot, 'TR' headmark	5.45
B0453	64-65	BRACE - alternator adjusting, 250/300hp, w/AC, w/bolt kit	40.00
B0432	66-67	BRACE - alternator adjusting, 64-65 w/sp. hi-perf., w/AC, 66-67 all	20.70
B0547	63	BRACE - alternator adjusting, RH w/o AC	26.25
B0401	63	BRACE - alternator adjusting, w/AC, LH	21.00
B0428	64-65	BRACE - alternator adjusting, w/o AC w/special washers 'WB' headmark bolt, (63 is replacement for all w/o AC) RH	24.95
B0426	64-67	BRACKET - alternator support, all w/sp. hi-perf. & AC, all 66-67 w/327, LH	22.00



B0424	63-65	BRACKET - alternator support to exhaust manifold, RH, w/o AC	35.80
B2889	63L-67	SCREW & NUT KIT - screw/nut, voltage regulator mounting	8.25
B0480	63-67	SLEEVE - alternator brace	3.95

B0400	63E	ALTERNATOR - 37 amp, #1100628 with numbers stamped on back half of alternator case, restored, call for available dates	219.95
B0402	63L	ALTERNATOR - 37 amp, #1100628 w/numbers stamped on front 1/2 of case-starts Dec. 1962, restored, call for available dates	149.95
B0412	63E	ALTERNATOR - #1100633 52amp for ac cars w/numbers stamped on rear half of case, restored, thru December 1962	CALL
B0404	63L	ALTERNATOR - 52 amp, w/AC, #1100633, restored, call for available dates	159.95
B0406	64	ALTERNATOR - 37 amp, standard #1100668, restored, call for available dates	149.95
B0410	64	ALTERNATOR - 42 amp, w/TT, #1100669	CALL
B0408	64	ALTERNATOR - 55 amp, w/AC, #1100665	159.95
B0416	65	ALTERNATOR - 55 amp, w/AC, #1100694	129.95
B0420	65-66	ALTERNATOR - 37 amp, standard #1100693 restored, call for available dates	139.95
B0418	65-67	ALTERNATOR - 42 amp, all w/TT, #1100696	CALL
B0449	66	ALTERNATOR - 61 amp, w/ac #1100750 restored, call for available dates	149.95
B0448	67	ALTERNATOR - 37 amp, standard #1100693 restored, call for available dates	159.95
B0441	67	ALTERNATOR - 61 amp, w/ac #1100750 restored, call for available dates	184.95
B0417	63	BAFFLE - alternator fan, all w/air conditioning, NOS	79.95
B0423	63-67	BEARING - front end of alternator	8.75
B0425	63-67	BEARING - rear end of alternator	5.00

- B0430 63 BOOT - positive terminal for wire harness on backside of alternator / ORIGINAL w/cross / used - extra nice - one year only - while supplies last34.95
- B0472 64-67 BOOT - positive terminal for wire harness on backside of alternator / ORIGINAL w/cross & mold number / used - extra nice & VERY DIFFERENT FROM REPRODUCTION15.95
- B0411 63-67 BOOT - positive terminal cover, rear of alternator wire harness, generic4.60

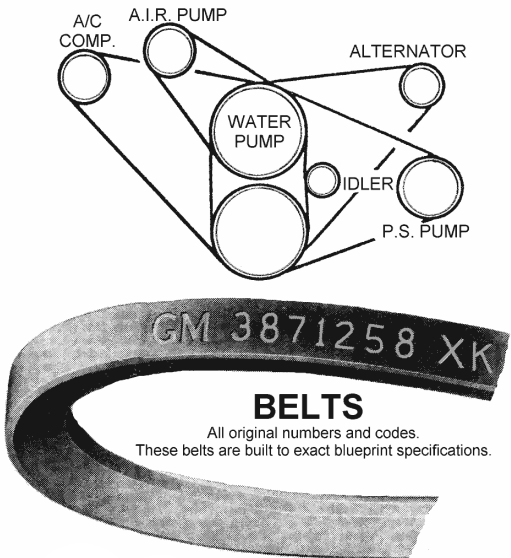


ALTERNATOR BOOT B0407

- B0407 63-67 BOOT - positive terminal cover, rear of alternator wire harness, w/cross marking - REPRODUCTION10.35
- B0413 63-67 CONNECTOR - 2 spade, connects harness to R & F terminals at rear of alternator4.00
- B6803 63 FAN - alternator, used/recond.26.25
- B0019 64-67 FAN - alternator, reconditioned, original ...33.00
- B0405 63-67 NUT & WASHER KIT - alternator pulley5.00
- B6802 63-65 PULLEY - alternator, all 327 w/mechanical lifters, 3 5/8" O.D. zinc plated41.50
- B6850 63-67 PULLEY - alternator, 250/300hp 327 w/o AC, 2 13/16" O.D. zinc plated35.50
- B6853 64-67 PULLEY - alternator 64 327/365hp w/AC, 64-65 250/300hp w/AC, 65 350/365hp w/AC, 66-67 327/350hp w/AC. 3" O.D. zinc plated40.35
- B6810 65-67 PULLEY - alternator, special. hi-perf. 327 hydraulic lifters, 3 5/8" O.D. zinc plated ..42.65
- B6810 65-67 PULLEY - alternator, 65 w/ 396, 66-67 427, w/o power steering, 3 5/8" O.D. zinc plated .42.65
- B6802 66-67 PULLEY - alternator, 427 engine, w/PS, 3 5/8" O.D. zinc plated41.50
- B6849 67 PULLEY - alternator, 427 w/AC & w/PS, 3" O.D. zinc plated47.75
- B6852 65-66 PULLEY W/FAN - alternator, 1965 327/250, 300hp w/AC, 1966 327/300hp, w/AC42.00
- B6811 65 PULLEY W/FAN - alternator, 250hp base engine35.00
- B6823 66-67 PULLEY W/FAN - #3875968AW / ORIGINAL49.95
- B6813 66 PULLEY W/FAN - alternator, 250hp base engine, w/stamped part #3843342AJ35.00
- B0446 63-67 RESTORATION/REBUILD - ALTERNATOR / includes polished main shaft, new bearing, brushes & diodes, detailed/reconditioned case and testing94.95

Belts

Belts - Engine - 327 (correct reproductions)



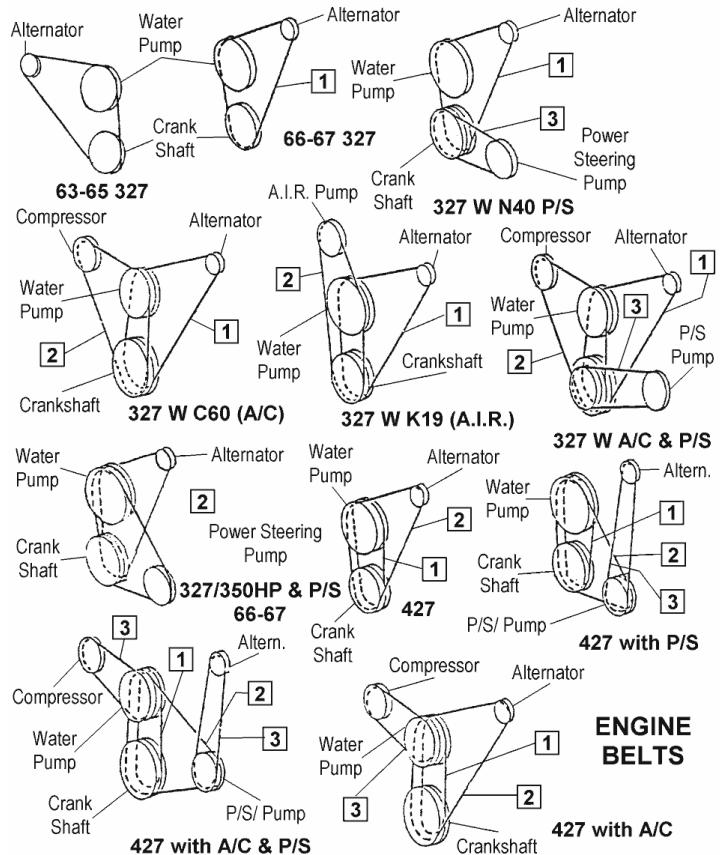
Licensed GM Restoration Parts. Assuring you authenticity and high quality.



Wrapped belts with "GM" and part number embossed into belt as original.

- B4556 66-67 BELT - A.I.R. (smog) pump, 300hp, w/AC22.75
- B4554 66-67 BELT - A.I.R. (smog) pump, 300hp, w/o AC43.35
- B4559 66-67 BELT - A.I.R. (smog) pump, 350hp, w/AC22.75
- B4555 66-67 BELT - A.I.R. (smog) pump, 350hp, w/o AC23.85
- B4557 66-67 BELT - A.I.R. (smog) pump, 350hp, w/PS23.85
- B4558 66-67 BELT - A.I.R. (smog) pump, 350hp, w/AC & PS ..22.75
- B4524 63 BELT - air conditioning40.10
- B4538 64-65E BELT - air conditioning, all34.75
- B4539 65L BELT - air conditioning, all40.10
- B4550 66-67 BELT - air conditioning, 300/350hp, w/o. PS .40.10
- B4551 66-67 BELT - air conditioning, 300/350hp, w/PS34.70
- B4520 63 BELT - alternator, 250 & 300hp32.50
- B4530 64-65 BELT - alternator, 300hp w/AC29.25
- B4531 64-65 BELT - alternator, 350/365hp w/AC35.95
- B4532 65 BELT - alternator, 350hp w/o AC30.35
- B4521 63 BELT - alternator, 340 & 360hp31.40
- B4526 64 BELT - alternator, 365hp w/o AC31.40
- B4525 64-65 BELT - alternator, 250 & 300hp w/o AC31.40
- B4529 64-65 BELT - alternator, 250hp w/AC32.50
- B4528 64-65 BELT - alternator, 375hp w/FI30.35
- B4527 65 BELT - alternator, 365hp w/o AC31.65
- B4549 66-67 BELT - alternator, 300/350hp, w/A.I.R.30.35
- B4547 66-67 BELT - alternator, 300/350hp, w/AC32.50
- B4576 66-67 BELT - alternator, 350hp, W/PS, W/O AC31.65
- B4548 66-67 BELT - alternator, 300/350hp, w/AC & w/o PS .30.35
- B4545 66-67 BELT - alternator, 300hp, w/o AC29.25
- B4546 66-67 BELT - alternator, 350hp, w/o AC31.40
- B4523 63 BELT - power steering23.85
- B4536 64 BELT - power steering31.45
- B4537 65 BELT - power steering37.95
- B4553 66-67 BELT - power steering, 300hp all & 350hp, w/AC23.85
- B4552 66-67 BELT - power steering, 350hp, w/o AC28.05
- B4560 66-67 BELT - water pump to crank pulley, 350hp w/o A.C., P.S., A.I.R.24.65
- B4522 63 BELT - water pump/idler, 340/360hp25.80
- B4533 64 BELT - water pump/idler, 365hp25.80
- B4535 64-65 BELT - water pump/idler, 375hp w/FI24.95
- B4534 65 BELT - water pump/idler, 350/365hp25.75

Belts - Engine - 327 (current replacements)



IN = GROOVE POSITION

- B4519 63-65 BELT - crank to water pump pulley, w/o AC or PS12.95
- B4511 66-67 BELT - fan & AC, w/o PS, 350hp13.65
- B4502 66-67 BELT - fan & AC, w/PS, 350hp15.60
- C4515 66-67 BELT - fan & air conditioning & air pump13.95
- B4513 66-67 BELT - fan & air pump, 300hp10.65
- B4514 66-67 BELT - fan & air pump, w/AC & PS, 350hp12.75
- B4515 66-67 BELT - fan & air pump, w/AC, w/o PS, 350hp ..10.10
- B4512 66-67 BELT - fan & air pump, w/o AC, 425hp12.25

A4502	63	BELT - fan & alternator, 340/360hp	14.95
B4504	64-65	BELT - fan & alternator, w/AC, 300hp	13.25
B4506	64-65	BELT - fan & alternator, w/AC, w/o sp. hi-perf	15.25
B4507	65L	BELT - fan & alternator, w/o AC, w/PS, w/spec. hi-perf. or FI	12.85
A4504	64-65	BELT - fan & alternator, w/o AC, w/sp. hi-perf	14.95
A4503	66-67	BELT - fan & alternator, w/AC & PS, 350hp	14.95
B4505	66-67	BELT - fan & alternator, w/AC, w/o PS, 350hp	12.00
C4502	66-67	BELT - fan & power steering	16.65
B4501	63-65	BELT - power steering	9.75
B4508	65L-67	BELT - power steering, w/AC, 350HP	12.85
B4510	66-67	BELT - fan & power steering w/o AC, 350hp	11.45
B4509	66-67	BELT - power steering, 300hp	11.95

Belts - Engine - 396/427 (correct reproductions)

Wrapped belts with "GM" and part number embossed into back of belt as original.

B4571	66	BELT - A.I.R. (smog) pump, 427, w/AC	34.65
B4569	66-67	BELT - A.I.R. (smog) pump, 427, w/o AC	24.65
B4572	67	BELT - A.I.R. (smog) pump, 427, w/AC	34.65
B4540	65	BELT - alternator, 396, w/o PS	32.50
B4542	65	BELT - alternator, 396, w/PS	22.75
B4568	66-67	BELT - air conditioning, 427	34.75
B4500	66-67	BELT - alternator, 427 w/AC & PS	23.55
B4562	66-67	BELT - alternator, 427, w/AC	30.35
B4580	66-67	BELT - alternator, 427, w/o AC, w/o PS	34.75
B4563	66-67	BELT - alternator, 427, w/PS	23.55
B4570	66-67	BELT - power steering, 427, w/AC	28.00
B4566	66-67	BELT - power steering, 427, w/o AC	29.95
B4541	65	BELT - water pump, 396, w/o PS	24.70
B4543	65	BELT - water pump, 396, w/PS	23.85
B4565	66-67	BELT - water pump, 427, w/AC	24.50
B4564	66-67	BELT - water pump, 427, w/o AC, 34.40', short	26.90
B4575	66-67	BELT - water pump, 427, w/o AC, 34.80', long	26.90

Belts - Engine - 396/427 (current replacements)

B4502	66-67	BELT - fan & AC, w/PS, 390hp	15.60
A4503	66-67	BELT - fan & alternator, w/o PS, w/ AC	14.95
A4508	65-67	BELT - fan & alternator, w/o PS, w/o AC	14.95
B4516	66-67	BELT - fan & power steering, w/ AC	10.65
B4517	67	BELT - fan to air pump, w/o AC	10.65
B4506	66	BELT - fan, AC & air pump, 390hp	15.25
B4505	67	BELT - fan, AC & air pump, 390hp	12.00
B4544	65	BELT - power steering, 396, w/PS	13.50

Blocks & Related

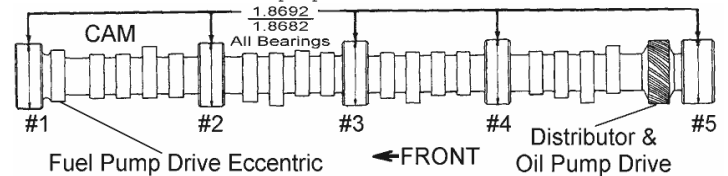
Block & Engine Rebuilding Components - 327 Engine

A6543	63-65	BAFFLE - oil pan, mounts w/cap bolts, used w/B6550, 327	34.50
G5102		BELT - dressing, Permatex, extends belt life, 16 oz. can	3.95
A6513	63-67	BOLT - oil pump to block	3.95
B2861	63-65	BOLT KIT - engine mount 'UR' headmark	11.20
A2896	63-67	CAM - 327 250/300hp	79.95
B2873	64-67	CAM - 327/350hp	137.95
B2888	64-65	CAM - 327 365/375 special HI PERF used w/solid lifters	137.95
A2811	63-66	CHAIN & GEAR SET - engine timing	29.00
A2805	63-66	CHAIN & GEAR SET - engine timing, double roller	24.00
B0356	65-67	COVER - timing chain, 396/427 w/8' harmonic balancer, (recond.)	179.95
A2887	63-67	DOWEL PIN SET - timing chain cover, installs in block, 327, (2 pc.)	3.65
A8328	63-67	FEELER GAUGE - for setting valves	2.95
G5101		FORM-A-GASKET - Permatex no. 2 sealant, non-hardening sealant for use w/cut gaskets, 1.5 oz. tube	4.10
G5100		FORM-A-GASKET - Permatex no.1 sealant, hard setting sealant for rigid materials and flanges, 1.5 oz. tube	4.10
A2897	63-67	FREEZE PLUG SET - all V8s, (8 pc.)	7.50
A0024	63-67	FREEZE PLUG SET - correct, no markings on face, (8 pc.)	23.45
A2835	63-67	GASKET KIT - engine, complete	61.95
A2920	63-67	GASKET SET - HEADS / 327	44.95
G5107		GREASE - white lithium, all purpose, anti-moisture, 16 oz. aerosol can	5.95
A2815	63-67	LIFTER SET - hydraulic, 16pc	129.95
A2821	63-65	LIFTER SET - solid, for hi-perf., 16 pc.	129.95
G5108		LUBRICANT - anti-seize, Permatex, use during assembly to prevent corrosion seizing, 1 oz. tube	3.60
A2847	63-67	PICK UP & SCREEN - oil (in oil pan)	29.00
A2801	63-67	PUMP - oil, hi-pressure	45.45

A2898	63-67	PUMP - oil, standard	35.85
A2817	63-67	PUSH ROD - (16 req.) (ea)	4.35
A2819	63-67	ROCKER ARM - w/ball & nut, (16 req.) (ea)	5.05
A2843	63-67	ROD - 327 engine, 250/300hp, used original, (8 req.) (ea)	16.00
A2845	63-67	ROD - 327 engine, 340/360hp, used original, (8 req.) (ea)	26.00
A2820	63-67	ROD - oil pump drive	14.00
G5106		SEALANT - blue RTV, Permatex, makes reliable formed-in-place gaskets, 3 oz. tube	4.60
G5105		SEALANT - thread, Permatex, seals and resists pressure in fittings, general purpose, 1 oz. tube	4.60
G5104		SILICONE - hi-temp RTV, Permatex, sensor safe RTV gasket, 3 oz. tube	5.40
A2826	63-67	SPRING SET - valves in head, 327, (16 pc.)	60.90
G5109		TEFLON TAPE - Loctite PST, liquid, lubes, locks & seals pipe threads, temp. to 400 degrees, 50 ml. tube	10.50
G5111		THREADLOCK - Loctite 242, blue, medium strength for bolts & nuts up to 3/4", 6 mi. tube	5.65
G5110		THREADLOCK - Loctite 271, red, high strength for bolts & nuts up to 1", 6 mi. tube	6.40
B2876	67	TIMING CHAIN & GEAR SET - 327/350 engine	24.95

Block and Engine Rebuilding Components - 396/427 Engine

B6504	65-67	BAFFLE - oil pan, 396/427	12.85
B2996	65-67	BEARING SET - cam, specify size	50.00
B2948	65-67	BEARING SET - cam 396/427/454	25.55
B2995	65-67	BEARING SET - rods, specify size, (16 pc.)	48.30
G5102		BELT - dressing, Permatex, extends belt life, 16 oz. can	3.95
A6513	65-67	BOLT - oil pump to block	3.95

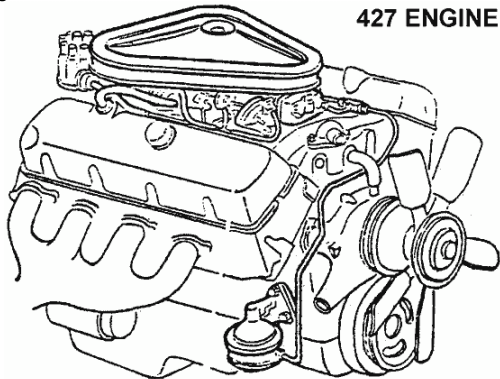


B2877	65-67	CAM - 396 OR 427/425hp	139.75
B8888	66-67	CAM - 427/390hp	139.75
B0031	66-67	CHAIN & GEAR SET - engine timing, hi perf	38.95
B2994	66-67	CHAIN & GEAR SET - engine timing, standard	38.95
B2919	65-67	CRANK - 396/427, steel, (used) (guaranteed)	165.00
G5101		FORM-A-GASKET - Permatex no. 2 sealant, non-hardening sealant for use w/cut gaskets, 1.5 oz. tube	4.10
G5100		FORM-A-GASKET - Permatex no.1 sealant, hard setting sealant for rigid materials and flanges, 1.5 oz. tube	4.10
B2878	65-67	FREEZE PLUG SET - (8 pc.)	7.50
B2879	65-67	GASKET SET - engine, 396/427	79.95
G5107		GREASE - white lithium, all purpose, anti-moisture, 16 oz. aerosol	5.95
A2815	66-67	LIFTER SET - hydraulic, 390hp, 16pc	129.95
A2821	65-67	LIFTER SET - solid, 425/435hp, 16pc	129.95
G5108		LUBRICANT - anti-seize, Permatex, use during assembly to prevent corrosion seizing, 1 oz. tube	3.60
A2847	63-67	PICK UP & SCREEN - oil (in oil pan)	29.00
B2881	65-67	PUMP - oil, 396/427/454, hi-pressure	52.00
B2885	65-67	PUSH ROD SET - 396/427 long & short, 16pc	49.95
B2998	65-67	RING SET - 8 pistons, chrome molly	77.10
B2997	65-67	RING SET - 8 pistons, standard, cast	59.50
B0022	65-67	ROCKER ARM - Hi - perf (ea)	10.00
B2992	65-67	ROCKER ARM - kit, does 1 head, w/balls & nuts, (24 pc.)	79.95
B0021	65-67	ROCKER ARM SET- arm w/ball & nut	10.00
A2820	63-67	ROD - oil pump drive	14.00
G5106		SEALANT - blue RTV, Permatex, makes reliable formed-in-place gaskets, 3 oz. tube	4.60
G5105		SEALANT - thread, Permatex, seals and resists pressure in fittings, general purpose, 1 oz. tube	4.60
B0026	66-67	SHAFT - oil pump, w/Hi-perf	12.25
B0025	66-67	SHAFT - oil pump, w/o Hi-perf	12.25
G5104		SILICONE - hi-temp RTV, Permatex, sensor safe RTV gasket, 3 oz. tube	5.40
B2868	65-67	SPRING SET - valves, 396/427/454-435hp, Hi-perf, (16 pc.)	137.85
B0024	65-67	STUD - rocker arm, 396/427	5.40
B2993	65-67	STUD - rocker arm, in head	2.50
B2860	65-67	STUD/BOLT - engine main cap retaining, w/windage tray (4 req.) (ea)	10.60
G5109		TEFLON TAPE - Loctite PST, liquid, lubes, locks & seals pipe threads, temp. to 400 degrees, 50 ml. tube	10.50

G5111	THREADLOCK - Loctite 242, blue, medium strength for bolts & nuts up to 3/4', 6 mi. tube5.65
G5110	THREADLOCK - Loctite 271, red, high strength for bolts & nuts up to 1', 6 mi. tube 6.40

B3150 66-67	MANIFOLD SET - exhaust, 427, LH & RH, w/A.I.R., (pr)749.95
A2922 63-67	NUT SET - exhaust manifold5.30
B6800 66-67	PULLEY - A.I.R. pump, GM #3880800170.00
B6899 66-67	PULLEY - water pump, A.I.R. driver, #235 ...113.45
C4741 66-67	PUMP - smog restoration103.45

Blocks - Engine

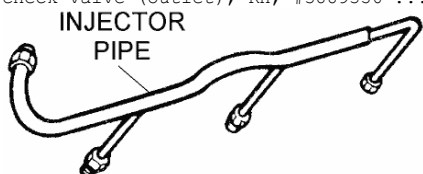


427 ENGINE

B2811 63	BLOCK - 327 CID (cast #3782870)CALL
B2802 64	BLOCK - 327 CID (cast #3782870)CALL
B2803 65	BLOCK - 327 CID (cast #3782870)CALL
B2806 66	BLOCK - 327 CID (cast #3958174)CALL
B2810 67	BLOCK - 327 CID (cast #3892657)CALL
B2804 65	BLOCK - 396 CID (cast #3855962)CALL
B2809 66	BLOCK - 427 CID (cast #3869942), 2 boltCALL
B2808 66	BLOCK - 427 CID (cast #3869942), 4 boltCALL
B2813 67	BLOCK - 427 CID (cast #3904351), 2 boltCALL
B2812 67	BLOCK - 427 CID (cast #3904351), 4 boltCALL

Emission - A.I.R. System

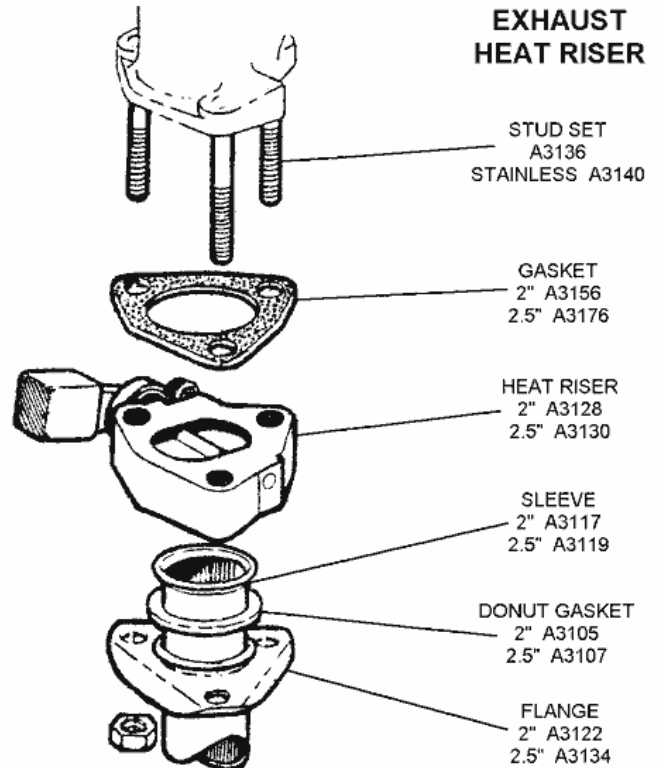
B3001 66-67	BRACE - smog pump, 327-300/350hp, w/A.I.R. . .84.00
B3000 66-67	BRACE - smog pump, 427/390hp w/A.I.R.120.00
B3154 66-67	BRACKET - A.I.R. pump, w/327, cast iron, (recond.)74.00
B3006 66-67	BRACKET - smog pump, w/427, cast iron450.00
C2860 66-67	BRACKET - smog pump, w/427, steel replacement for B300669.95
B3005 66-67	CHECK VALVE - A.I.R. LH hoses, replated original60.35
B3003 66-67	CHECK VALVE - A.I.R. RH hoses, 'Y' shape, replated original89.95
B3011 66-67	CLAMP SET - A.I.R. system hose30.45
B3009 66-67	DIVERTER VALVE - 327, originalCALL
B3008 66-67	DIVERTER VALVE - 427, originalCALL
B3161 66-67	EXTENSION TUBE - injector pipe in exhaust man., 327, (8 req.) (ea.)21.80
B3159 66-67	EXTENSION TUBE - injector pipe in exhaust man., 427, (8 req.) (ea.)12.95
B3180 66	HOSE - A.I.R., 327, air pump to air cleaner base inlet tube, #388459040.00
B3185 67	HOSE - A.I.R., 327, diverter valve to check valve, RH rear, molded w/327 & California emissions, #390336640.00
B3182 66	HOSE - A.I.R., 327, front, air pump to check valve (outlet), LH, #388457940.00
B3179 66	HOSE - A.I.R., 327, front, air pump to check valve (outlet), molded, LH, #3884578 . .40.00
B3178 66	HOSE - A.I.R., 327, rear, diverter valve to check valve, molded, RH, #388459140.00
B3184 66-67	HOSE - A.I.R., 427, air pump to air cleaner base inlet tube, #388465540.00
B3186 67	HOSE - A.I.R., 427, diverter valve to check valve (outlet), RH rear, molded, California emissions, #390234840.35
B3181 66	HOSE - A.I.R., 427, front, air pump to check valve (outlet), LH, #388938140.00
B3183 66	HOSE - A.I.R., 427, front, air pump to check valve (outlet), RH, #388935640.00



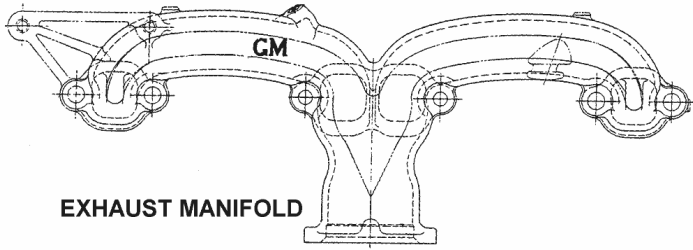
B7001 66-67	INJECTOR PIPE/TUBE - exhaust manifold, 327, LH103.45
B7002 66-67	INJECTOR PIPE/TUBE - exhaust manifold, 327, RH40.65
B3113 66-67	INJECTOR PIPE/TUBE SET - exhaust manifold (black), 427, LH & RH, (pr)168.10
B3145 66-67	MANIFOLD - exhaust, 427, LH, w/A.I.R.420.30
B3146 66-67	MANIFOLD - exhaust, 427, RH, w/A.I.R.420.30

Exhaust Manifolds & Related

Exhaust Manifolds & Related: 327



A3137 63-67	BOLT & STUD KIT - all 63 & 63-65 w/FI exhaust manifold22.45
B3101 64-67	BOLT & STUD KIT - exhaust manifold 327 w/AC .21.75
NOTE: above exhaust bolt kits contain "Double Circle" head marks.	
A3120 63-67	BOLT SET - 327 exhaust manifolds, 'double circle' hm, (12 pc.)19.25
B3135 64-65	BOLT SET - F.I. exhaust manifold to head18.00
A3114 63-65	CHOKE TUBE - inside exhaust manifold, all w/o FI, stainless steel10.00
A3157 63-67	CLAMP - exhaust, 2 1/2', heavy duty, (ea) ...2.70
A3107 63-67	DONUT/SEAL - 2 1/2' exhaust manifold to pipe .3.45
A3105 63-67	DONUT/SEAL - 2' exhaust manifold to pipe3.00
G0003 63-67	DRESSING - Calyx manifold conditioner, jar .23.25
G0155 63-67	DRESSING - Calyx manifold conditioner, touch-up tube10.30
B3161 66-67	EXTENSION TUBE - injector pipe in exhaust man., 327, (8 req.) (ea.)21.80
A3134 63	FLANGE - 2 1/2', exhaust pipe, (flat type) ...8.75
A3122 63-67	FLANGE - 2' exhaust pipe4.50
A3142 63	FRENCH LOCK SET - exhaust manifold, (stainless steel) (4 pc.)13.80
B3137 64-65	FRENCH LOCK SET - exhaust manifold, (stainless steel) (4 pc.)12.95
B3138 66-67	FRENCH LOCK SET - exhaust manifold, (stainless steel) (4 pc.)12.45
A3156 63-67	GASKET - heat riser, 2'4.85
A3176 63-67	GASKET - heat riser, 2-1/2'3.95
A3103 63-67	GASKET SET - exhaust manifolds to engine (not originally used from factory)11.95
A3130 63-67	HEAT RISER VALVE - 2 1/2' exhaust48.75
B7001 66-67	INJECTOR PIPE/TUBE - exhaust manifold, 327, LH103.45
B7002 66-67	INJECTOR PIPE/TUBE - exhaust manifold, 327, RH40.65
A3102 63	MANIFOLD - exhaust, LH, 2' 250hp/300hp, #3749965179.30
B3114 65	MANIFOLD - exhaust, LH, 2' 250/300hp, MT ...139.95
B3118 66-67	MANIFOLD - exhaust, LH, 2' 300/350hp w/o A.I.R. #3846559235.35
B3160 66-67	MANIFOLD - exhaust, RH, 2' 300/350hp w/ A.I.R. holes, w/plugs #3872778193.00
A3104 63-65	MANIFOLD - exhaust, RH, 2', 250/300hp, AT, #3750556 w/choke222.25



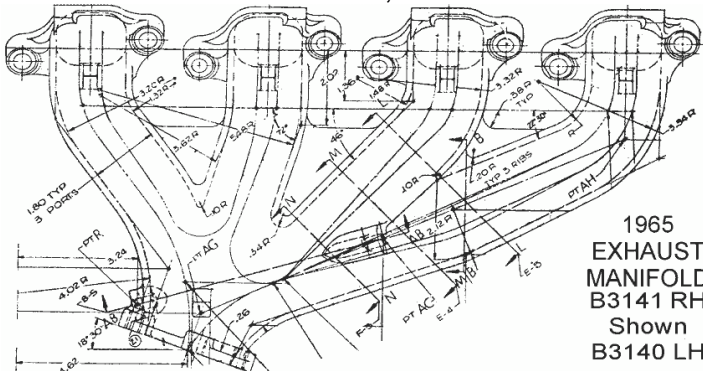
A3111	63	MANIFOLD - exhaust, LH 2 1/2', 327/360hp #3797901 w/o choke hole	231.85
A3110	63-65	MANIFOLD - exhaust, LH 2 1/2' all w/FI/MT #3797942, has both 902 & 942 cast on the side	258.00
B3106	64-65	MANIFOLD - exhaust, LH, 2 1/2' 327 300/365hp, #3846563	255.50
A3108	63	MANIFOLD - exhaust, LH, 2 1/2', 300/340hp, MT #3797901	235.35
B3199	63-65	MANIFOLD - exhaust, RH, 2 1/2', 327 all except FI w/choke tube, #/3797902	270.85
A3112	63-65	MANIFOLD - exhaust, RH, 2 1/2' w/FI, 360/375HP #3797902	240.95
B3110	64-65	MANIFOLD - exhaust, RH, 2 1/2', w/AC, sp. hi perf. #3846563, w/out counter bore	270.85
B3149	66-67	PLUG SET - emission holes in exhaust manifold, (set of 8)	19.55
A3119	63-67	SLEEVE - exhaust donut alignment, 2 1/2'	7.75
A3117	63-67	SLEEVE - exhaust donut alignment, 2'	7.50
A3126	63-67	SPACER - 2', installs below exhaust manifold, (replaces heat riser)	28.00
A3132	63-65	SPACER - 2 1/2', installs below exhaust manifold, (replaces heat riser)	37.00
A3140	56-62	STUD & NUT KIT - exhaust manifold to exhaust pipes, stainless steel, (12 pc.)	24.50
A3136	63-67	STUD & NUT KIT - exhaust manifold to pipe, (12 pc.)	12.50
A3764	63-65	STUD - lower clean air tube to exhaust manifold	8.00
A3128	63-67	VALVE - heat riser, 2' exhaust	42.95
A3116	63-67	WASHER SET - exhaust manifold bolts, (8 pc.)	6.95

Exhaust Manifolds & Related: 327 - Reconditioned Originals

We have a large supply of used original exhaust manifolds in stock. Please consult your N.C.R.S. literature for specific applications. Reconditioned manifolds are cleaned with all studs removed or have good original studs.

A3101	63	MANIFOLD - exhaust, LH, 2', #3749965, original, recond.	CALL
A3100	63	MANIFOLD - exhaust, LH, 2 1/2', #3797901, original, recond.	CALL
B3191	64-65	MANIFOLD - exhaust, LH, 2 1/2', #3846563, original, recond.	CALL
B3102	64-67	MANIFOLD - exhaust, LH, 2', #3846559, original, recond.	CALL
B3151	66-67	MANIFOLD - exhaust, LH, 2' #3872765 w/A.I.R., original, recond.	CALL
A3155	63-65	MANIFOLD - exhaust, RH, 2', #3750556, original, recond.	CALL
B3190	64-65	MANIFOLD - exhaust, RH, 2', #3747038, original, recond.	CALL
B3188	65-67	MANIFOLD - exhaust, RH, 2', #3747042, original, recond.	CALL
B3189	66-67	MANIFOLD - exhaust, RH, 2', #3872778, w/A.I.R., original, recond.	CALL
A3113	63-65	MANIFOLD - exhaust, RH, 2 1/2', #3797902, original, recond.	CALL
B3198	63-65	MANIFOLD - exhaust, LH/RH, 2 1/2', #3797942, original, recond.	CALL

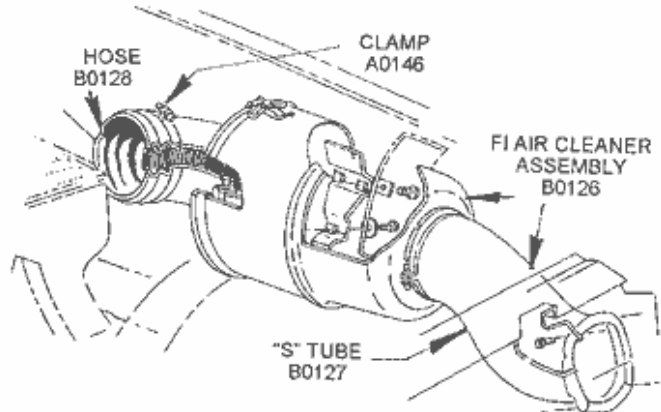
Exhaust Manifolds / 427 Related: 1965 396, 1966-67 427



B3133	66-67	BOLT & STUD KIT - exhaust manifolds w/AC w/o PS	28.25
NOTE: Above exhaust manifold bolt sets feature "Double Circle" head marks.			
B3132	66-67	BOLT & STUD KIT - exhaust manifolds w/o AC w/PS	22.75
B3148	65-66	BOLT KIT - 396/427 exhaust manifolds all w/o PS & AC	20.00
B3134	66-67	BOLT KIT - exhaust manifold w/AC & PS	29.00
A3107	65-67	DONUT/SEAL - 2 1/2' exhaust manifold to pipe	3.45
B3159	66-67	EXTENSION TUBE - injector pipe in exhaust man., 427, (8 req.) (ea.)	12.95
A3134	63	FLANGE - 2 1/2', exhaust pipe, (flat type)	8.75
B3139	65-67	FRENCH LOCK SET - exhaust manifolds, (4 pc.)	12.45
B3164	65-67	GASKET SET - exhaust manifold, 396/427 (pr)	14.65
A3130	63-67	HEAT RISER VALVE - 2 1/2' exhaust	48.75
B3113	66-67	INJECTOR PIPE/TUBE SET - exhaust manifold (black), 427, LH & RH, (pr)	168.10
B3140	65	MANIFOLD - exhaust, 396, LH	509.95
B3141	65	MANIFOLD - exhaust, 396, RH	509.90
B3145	66-67	MANIFOLD - exhaust, 427, LH, w/A.I.R.	420.30
B3146	66-67	MANIFOLD - exhaust, 427, RH, w/A.I.R.	420.30
B3143	66-67	MANIFOLD - exhaust, 427, LH, w/o A.I.R.	352.25
B3144	66-67	MANIFOLD - exhaust, 427, RH, w/o A.I.R.	352.25
B3142	65	MANIFOLD SET - exhaust, 396, LH & RH, (pr)	829.95
B3150	66-67	MANIFOLD SET - exhaust, 427, LH & RH, w/A.I.R., (pr)	749.95
NOTE: New 396/427 Exhaust Manifolds are available dated - Call!			
B3147	66-67	MANIFOLD SET - exhaust, 427, w/o A.I.R., (pr)	649.95
A3149	63-67	NUT SET - exhaust manifold studs, brass, (6 pc.)	5.95
B3149	66-67	PLUG SET - emission holes in exhaust manifold, (set of 8)	19.55
A3132	63-65	SPACER - 2 1/2', installs below exhaust manifold, (replaces heat riser)	37.00
A3136	63-67	STUD & NUT KIT - exhaust manifold to exhaust pipe, (12 pc.)	12.50
A3140	63-67	STUD & NUT KIT - exhaust manifold to exhaust pipes, stainless steel, (12 pc.)	24.50
B3157	65-67	STUD - power steering & alternator mounting & adjusting	6.00
B3156	66-67	STUD SET - AC compressor mounting, on exhaust manifold 427, (pr)	8.75
A3116	63-67	WASHER SET - exhaust manifold bolts, (8 pc.)	6.95

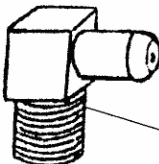
Fuel System - Carburetors, Tags & Parts, Fuel Pumps, Fuel Lines & Linkage

Fuel Injection: Air Meter, Air Cleaner, Air Tubes / Plenum



B3982	63-65	BAFFLE PLATE - choke thermostat (63-65 w/F.I.)	10.50
B3738	63-65	BELL CRANK - on plenum stud	49.95
B3979	63-65	BOLT KIT - FI air cleaner tube to radiator support, (4 pc.) (repl.)	3.00
B3740	63-65	BRACKET - accelerator return F.I.	15.00
A3705	63-65	CABLE & HOUSING - fuel injection drive distributor to pump, NOS	83.25
B3985	64-65	CLAMP - 2 chrome tubes to plenum, chrome	10.00
B3851	63-65	CLAMP - air cleaner cover to air cleaner body, spring wire, w/ elbow nut, (3 req.) (ea)	24.95
A0146	58-65	CLAMP - F.I. air cleaner hose, (replacement)	9.85
B3983	63E	CLAMP - idle air tube to plenum, zinc	15.75
B4107	63-65	CLAMP SET - FI air cleaner hose, w/correct pan head screws, (pr)	33.95
A3185	63-65	CLIP - retainer, choke rod, (5 req.) (ea)	1.00
B4003	63-65	COMPENSATOR - FI / idle air, used	55.00
B3917	63-65	COVER - choke, all w/FI	133.90

B3986	63	ELBOW - PCV in plenum	3.45
B3987	63	ELBOW - vacuum advance, 90 degree	3.45
B2726	63-65	EMBLEM - 'crossed flags', fuel injection plenum cover	48.30
B3988	64-65	FITTING - PCV vacuum restriction	10.50
B3989	63-65	FITTING - plenum, w/power brakes	21.00
A3714	64-65	FITTING - vacuum advance on plenum for distributor	12.50



FITTING
B3735

B3735	64-65	FITTING - vacuum restriction, AFB/WCFB 1x4, vacuum, carburetor rear AFB	13.00
B4005	63-65	FLAME ARRESTOR - fuel injection	12.00
A3771	63-65	FUEL FILTER - GF90, black finish	39.95
B3929	63-65	GASKET SET - plenum to intake, (fuel injection) (4 pc.)	12.00
B0117	64-65	HOSE & BOLT KIT - w/seal and gasket, crankcase vent tube	16.80
B0106	63-64E	HOSE & GROMMET KIT - crankcase vent tube, (w/GM logo)	11.25
B0475	64-65	HOSE - air meter adapter to air cleaner	75.00
B3992	64-65	HOSE - air meter adapter to crankcase vent tube	1.00
B3991	63-65	HOSE - chrome tube to air meter adapter, (1-3 req.) (ea)	1.30
B0176	64-65	HOSE - F.I. to oil tube w/GM logo, cut to fit	10.80
B3993	63-65	MOUNT KIT - accelerator rod	6.60
B4007	63-65	MOUNT PLATE & BOLT KIT - FI air cleaner to inner fender	13.95
A2831	63	PCV VALVE - fuel injection, black, (correct)	31.05
A2876	63	PCV VALVE - fuel injection, silver, (repl.)	16.00
B3994	63-65	PLUG - plenum, w/o power brakes	4.80
A3436	63-65	PLUG - Welsh, choke housing, 5/8" diameter	3.50
B4105	63-65	REBUILD KIT - fuel injection	165.00
B8301	63-65	ROD - accelerator lever to bellcrank	16.25
B3996	63-65	ROD - choke, on air meter	10.75
B8313	63-65	SCREW SET - FI air cleaner adapter to air meter, (4 pc.)	3.55
B8303	63-65	SPRING - accelerator return, FI, (blue)	10.00
A3764	63-65	STUD - lower clean air tube to exhaust manifold	8.00
B3998	63-65	TUBE - choke, chrome	15.55
A3762	63-65	TUBE - clean air on exhaust manifold (stainless steel)	31.50
B0105	63-64E	TUBE - crankcase vent, rear of block	19.05
B0190	64L-65	TUBE - crankcase vent, rear of block	112.10
B3997	63-65	TUBE - idle air, fuel meter to air cleaner adapter, chrome	41.75
B0223	64-65	TUBE INSTALLATION KIT - crankcase vent, FI, (bolt attaching kit, 2 hoses & flame arrester)	20.05

Fuel Injection: Fuel Meter

A0121	63-65	CABLE - high pressure pump	37.50
A3463	63-65	PLUG - Welsh, for hole in outer side of fuel meter, 13/16"	3.50
A3363	63-65	RESTORATION - fuel meter hi pressure pump [price range \$245-345 depending on service required] used pump must be sent in for service	349.95
A3456	63-65	SHIELD - fuel meter, LH side fuel meter at front, covers ratio lever	23.30
A3486	63-65	TAG - identification, triangular, depressed background w/part number, as original	59.95
A3949	63-65	VALVE - cranking signal	225.00

Fuel Injection: Fuel Meter - Fuel Distribution Components

A3949	63-65	VALVE - cranking signal	225.00
B9945	64-65	WIRE - fuel injection solenoid bypass lead	12.00

Fuel Injection: Intake Manifold

A5501	63-65	GASKET SET - intake manifold, w/FI, correct 'kormetal' w/dark gray color & round tab	25.00
A3659	63-65	NUT SET - intake manifold studs, (8 pc.)	2.00
B0105	63-64E	TUBE - crankcase vent, rear of block	19.05
B0190	64L-65	TUBE - crankcase vent, rear of block	112.10
B6526	63	TUBE - oil filler, 360hp, FI, chrome	40.25
B6530	64-65	TUBE - oil filler	30.30
B0223	64-65	TUBE INSTALLATION KIT - crankcase vent, FI, (bolt attaching kit, 2 hoses & flame arrester)	20.05

Fuel Injection: Other

B2714	63-64	EMBLEM - 'Fuel Injection', side fender, (2 req.) (ea)	35.75
B2731	65	EMBLEM SET - 'Fuel Injection', side fender, show quality, (pr)	56.95
A4105	63-65	REBUILD KIT - fuel injection unit	165.00

NOTE: A4105 Rebuild Kit is the "Cadillac" of fuel injection rebuilding kits. 100s of correct parts, even down to the magnesium main control valve diaphragm stiffener.

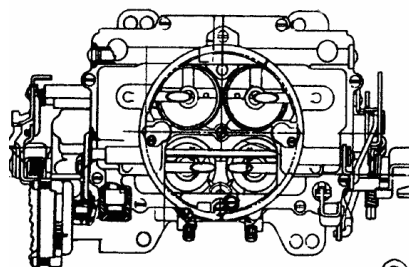
Fuel System: Carburetor - Carter AFB & WCFB - Remanufactured

These carburetors are remanufactured and are great "driving" carburetors. 90 day warranty.

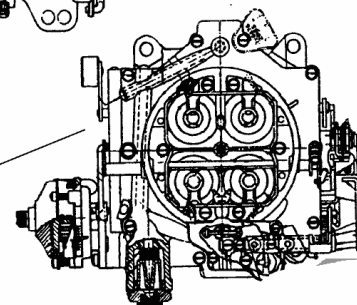
B1601	63-65	CARBURETOR - Carter AFB, 300hp, manual transmission, remanufactured replacement	425.00
B1600	63-65	CARBURETOR - Carter AFB, All, 300hp, auto transmission, remanufactured replacement	425.00
B1602	63-65	CARBURETOR - WCFB, 250HP, automatic or manual transmission, rebuilt	359.95

Fuel System: Carburetor - Carter AFB & WCFB - Restored

CARTER



CARTER
AFB



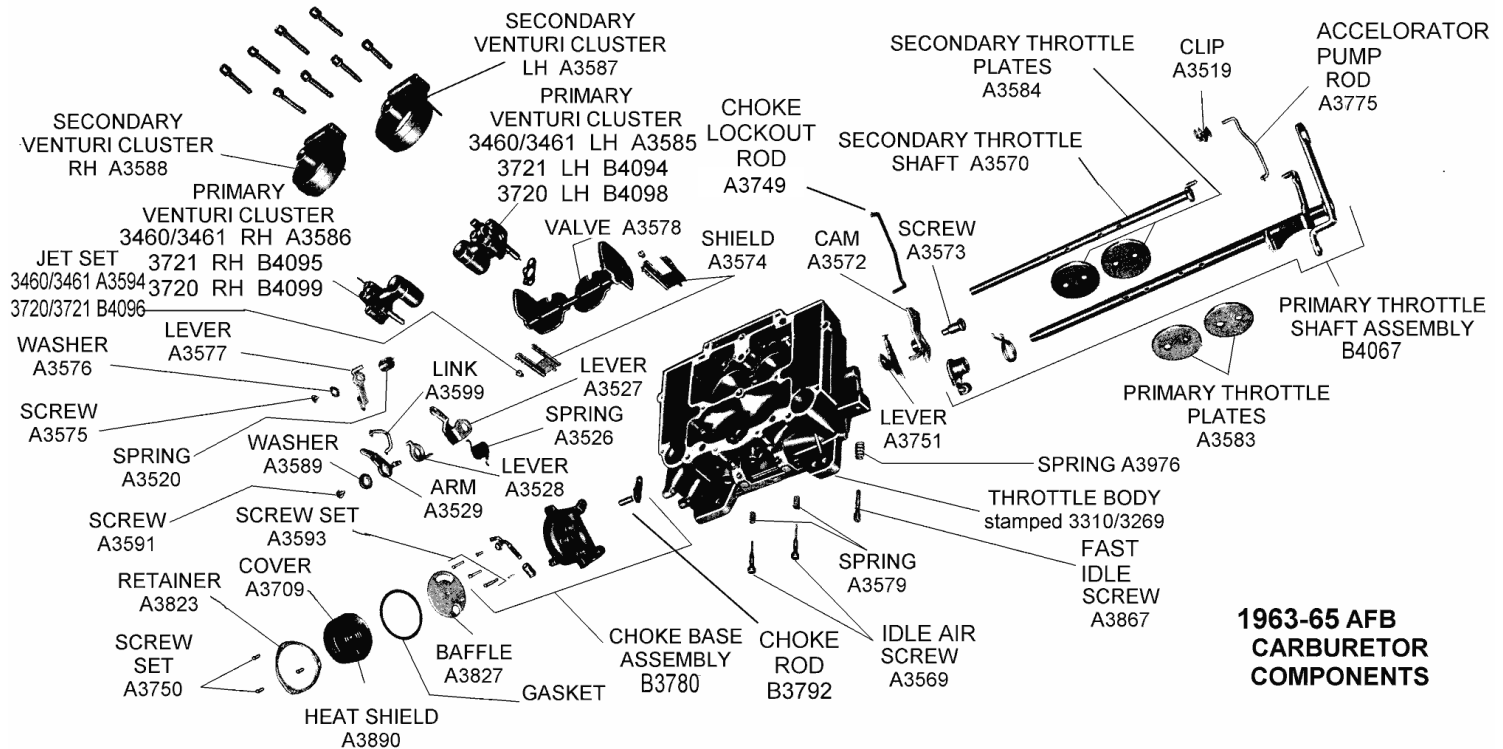
CARTER
WCFB

We have over 500 Chevrolet AFB carburetors in our inventory. Most date codes on AFB's are available. Restored units feature the highest level of quality available anywhere, at any cost. All carburetors are 100% warranted for 1 year. Satisfaction guaranteed. For information on reconditioning, see details under 'The Carburetor Restoration Process', or go to www.ChicagoCorvette.net.

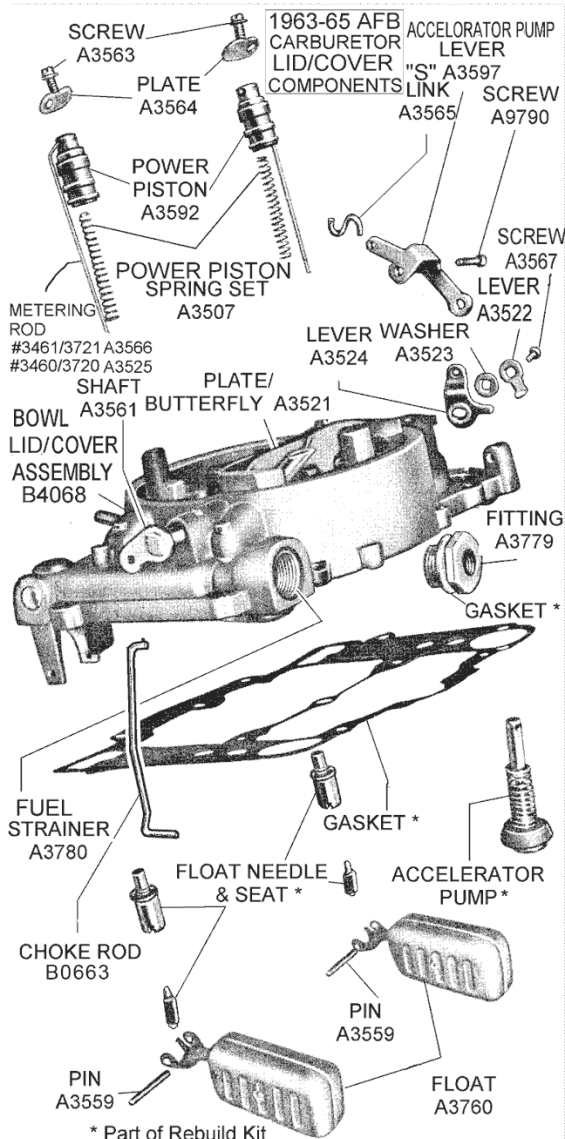
B1506	63	CARBURETOR - AFB #3460, 300hp, automatic transmission, RESTORED	695.00
B1508	63	CARBURETOR - AFB #3461, 300/340hp, manual transmission, RESTORED	795.00
B1510	64-65	CARBURETOR - AFB #3720, 300hp, automatic transmission, RESTORED	545.00
B1512	64-65	CARBURETOR - AFB #3721, 300hp, manual transmission, RESTORED	545.00
B1504	63-65	CARBURETOR - WCFB, 327/250hp, RESTORED	525.00
B1515	63	FITTING - 90 degree PCV Valve adapter AFB or WCFB	6.50
B3735	64-65	FITTING - vacuum restriction, AFB/WCFB 1x4, vacuum, carburetor rear AFB	13.00
A3511	63-65	REGULATOR - fuel pressure	47.35

CHICAGO CORVETTE

**We're your 1-Stop-Shop for 1953-82
Corvette parts and accessories!**



Fuel System: Carburetor - Carter AFB - Component Parts



NOTE: A majority of these AFB parts are reconditioned originals that are guaranteed to work like new.

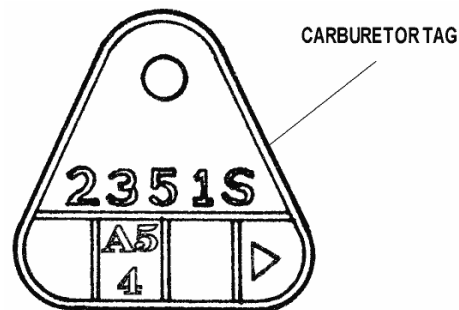
A3609	63-65	ACCELERATOR PUMP - Carter AFB	17.95
A3702	63-65	BAFFLE PLATE - 300hp AFB carburetor, (stainless steel)	8.95
A3574	63-65	BAFFLE/SHIELD - splash, fuel, (2 req.) (ea)	3.75
B3780	63-65	BASE, PISTON ASSEMBLY & LINKAGE ARM - choke, AFB	CALL
B4031	63-65	BODY - AFB number 3720 or 3721, replacement for 3460S, 3461S, 3720S, 3721S	85.00
B4066	63-65	CAM - fast idle/AFB	12.95
A3598	63-65	CHECK BALL & SPRING ASSEMBLY - AFB main body outside of accelerator pump well	15.95
A3736	63-65	CHOKE COVER - Carter AFB w/brass insert	42.95
A4025	63-65	CHOKE COVER - electric / all w/AFB	22.95
A3519	63-65	CLIP - accelerator pump rod, lower	1.00
A3585	63	CLUSTER - primary venturi, LH, (recond.)	39.95
A3586	63	CLUSTER - primary venturi, RH, (recond.)	39.95
B4098	64-65	CLUSTER - primary venturi, #3720, LH	29.95
B4099	64-65	CLUSTER - primary venturi, #3720, RH	29.95
B4094	64-65	CLUSTER - primary venturi, #3721, LH	29.95
B4095	64-65	CLUSTER - primary venturi, #3721, RH	29.95
A3587	63-65	CLUSTER - secondary venturi, LH, (recond.)	24.95
A3588	63-65	CLUSTER - secondary venturi, RH, (recond.)	24.95
A3568	63-65	COMPENSATOR - idle air, (used)	24.95
A3780	63-65	FUEL FILTER/STRAINER - AFB, behind inlet nut	1.95
B3735	64-65	FITTING - vacuum restriction, AFB/WCFB 1x4, vacuum, carburetor rear AFB	13.00
A3760	63-65	FLOAT - Carter AFB, carburetor, brass, (2 req.) (ea)	9.95
A3779	63-65	FUEL INLET FITTING - AFB, screws directly into air horn casting 3/4" hex brass, 1/8" N.P.T. inlet	10.50
B0109	63-65	GASKET - air cleaner to carburetor, AFB	3.35
A3788	63-65	GASKET - carburetor to aluminum intake, 340hp, AFB	8.95
A3786	63-65	GASKET - carburetor to intake, 327/300hp, AFB	7.25
A3968	63-65	GASKET - choke cover	2.50
B3555	63-65	GASKET - fuel inlet	1.00
A3890	63-65	HEAT BAFFLE/SHIELD - inserts in AFB choke cover with retainer (part that choke coil attaches to)	24.50
A3747	63-65	INSTALLATION KIT - accelerator rod, (2 grommets, 2 sleeves, swivel)	13.80
A3704	63-65	INSULATOR PLATE - 300hp AFB carburetor	29.15
A3594	63	JET KIT - AFB #3460, 3461, (4 pc.)	19.95
B4096	64-65	JET KIT - AFB #3720, 3721, (4 pc.)	24.95
A3597	63-65	LEVER - accelerator pump, AFB carburetor	9.95
A3524	63-65	LEVER - choke shaft, inner LH side	13.50
A3522	63-65	LEVER - choke shaft, outer, LH side	9.95
A3571	63-65	LEVER - lockout, secondary throttle, LH side	22.75
A3528	63-65	LEVER - primary throttle shaft spring pick-up, RH	8.00
A3527	63-65	LEVER - primary throttle shaft, secondary throttle trip	15.85
A3577	63-65	LEVER - throttle shaft, secondary, AFB	6.85

B4068 63-65	LID/TOP - bowl assembly, 3720S/3721S Carter AFB, w/largel peg air cleaner guides, bare, reconditioned59.95
A3565 63-65	LINK - accelerator pump lever, 'S' shape, (recond.)4.95
A3599 63-65	LINK - primary to secondary throttle shaft ...3.95
A3525 63-65	METERING ROD SET - Carter AFB #3460, 3720, (pr)34.00
A3566 63-65	METERING ROD SET - Carter AFB #3461, 3721, (pr)39.95
A3517 63-65	NEEDLE & SEAT SET - advanced roto design / holds up under 10psi from fuel pump [no need to worry about your fuel pump again], 2 pc ...13.95
A3559 63-65	PIN - float, Carter AFB, (2 req.) (ea)1.75
A3827 63-65	PLATE - secondary baffle, in choke housing, slotted steel11.40
A3583 63-65	PLATE - throttle, primary, (2 req.) (ea)9.95
A3584 63-65	PLATE - throttle, secondary, AFB, (2 req.) (ea)9.95
A3521 63-65	PLATE/BUTTERFLY - choke, (on shaft)15.00
A3564 63-65	PLATE/COVER - power piston, (recond.)5.00
A3592 63-65	POWER PISTON - metering rod6.50
A3823 63-65	RETAINER - choke cover9.00
A3775 63-65	ROD - accelerator pump lever, AFB12.00
A3749 63-65	ROD - AFB choke shaft to lockout, LH14.00
B0663 63-65	ROD - choke butterfly shaft to choke base, AFB9.00
A9790 63-65	SCREW - accelerator pump lever4.95
A3567 63-65	SCREW - choke shaft end, LH, lever retainer, (recond.)2.00
A3573 63-65	SCREW - fast idle cam & lockout lever6.95
A3867 63-65	SCREW - fast idle, AFB carburetor3.95
A3516 63-65	SCREW - idle fuel mixture, (recond.)8.50
A3569 63-65	SCREW - idle mixture, Carter AFB, (2 req.) (ea)6.00
A3591 63-65	SCREW - primary throttle shaft, AFB, RH (outer)1.75
A3596 63-65	SCREW - pump lever pivot3.00
A3575 63-65	SCREW - secondary throttle shaft, RH1.75
A3857 63-65	SCREW KIT - replaces all on AFB carburetors, Phillister head10.95
A3593 63-65	SCREW SET - choke base to carb, (3 pc.)2.75
A3900 63-65	SCREW SET - choke butterfly to choke cross shaft / 2pc1.80
A3750 63-65	SCREW SET - Phillister head, choke cover retainer, (3 pc.)1.25
A3563 63-65	SCREW SET - power piston cover plates1.25
A3561 63-65	SHAFT - choke butterfly, AFB, (recond.)29.95
B4067 63-65	SHAFT - primary throttle, w/arm, Carter AFB carburetor39.95
A3570 63-65	SHAFT - secondary throttle, (recond.)29.95
A3625 63-65	SPRING - choke control in choke cover10.50
A3976 63-65	SPRING - fast idle screw, AFB carburetor2.25
A3040 63-65	SPRING - metering rod, AFB carburetor12.00
A3526 63-65	SPRING - primary throttle shaft, RH7.50
A3520 63-65	SPRING - secondary throttle shaft, RH side ...4.50
A3579 63-65	SPRING SET - idle air screw, (pr)2.50
A0030 63-67	SPRING SET - metering rod retainers, (2 pc.) . 6.50
A3507 63-65	SPRING SET - power piston/metering rod, AFB, (pr)8.00
A3955 63-65	STAND KIT - carburetor, elevates carb. 2' to facilitate servicing it, throttle shafts easily open, (4 pc.)5.95
A3780 63-65	STRAINER/FILTER - fuel, AFB, behind fuel inlet nut1.95
A3578 63-65	VALVE - auxiliary air, AFB39.95
A3523 63-65	WASHER - levers, choke shaft, LH4.95
A3589 63-65	WASHER - primary throttle shaft, RH, outer ...4.75
A3576 63-65	WASHER - secondary throttle shaft, RH4.50

Fuel System: Carburetor - Carter WCFB & AFB ID Tags

Now available for the first time 100% correct 1963-65 Carter AFB & WCFB Carburetor tags. Most made on original Carter blanks. Come with Carter number, GM number & dates, along with inspection punch outs (as appropriate). The ultimate finishing touch for the perfect engine compartment restoration, (besides our carburetor restoration that is).

B0885 63	TAG - carburetor, 3460S/3826006 Carter AFB 327/300 HP Specify year & month,39.95
B0886 63	TAG - carburetor, 3461S/3826004 Carter AFB 327/300 or 340 HP Specify year & month39.95
B0627 63	TAG - carburetor, 3500S/3826005 w/automatic trans. Carter WCFB 327/250HP w/automatic trans. Specify year & month39.95
B0628 63	TAG - carburetor, 3501S/3826003 Carter WCFB 327/250HP w/manual trans. Specify year & month39.95



B0629 64-65	TAG - carburetor, 3696S/3846246 Carter WCFB 327/250 HP w/automatic trans. Specify year & month39.95
B0630 64-65	TAG - carburetor, 3697S/3846247 Carter WCFB 324/250hp w/manual trans. Specify year & month39.95
B0631 64-65	TAG - carburetor, 3720S/SA/SB/3851762 Carter AFB 327/300 HP w/automatic trans. Specify year & month39.95
B0632 64-65	TAG - carburetor, 3721S/SA/SB/3851761 Carter AFB 327/300HP manual trans. Specify year & month39.95
A1560 63-65	TAG - carburetor, originals, 100's available pricing based on condition, number & dateCALL
B3741 63	TAG - carburetor, 3460S, 300hp, automatic trans, brass, replacement19.40
B3742 63	TAG - carburetor, 3461S, 300/340hp, manual trans, brass, replacement19.40
B3743 64-65	TAG - carburetor, 3721S, 300hp, manual trans, brass, replacement19.40

Fuel System: Carburetor - Carter WCFB Component Parts

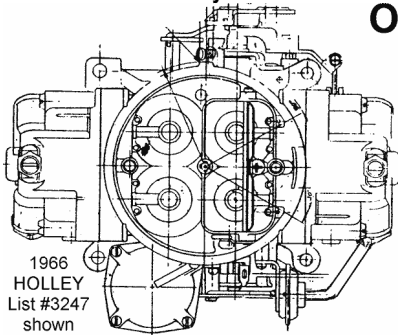
A3724 63-65	BASE - carburetor choke, w/piston & link, WCFB, reconditioned69.95
L0128	BOOK - 'Carter Carburetors: Performance, Street & Off Road Applications' A detailed guide to Carter carburetors. This book covers high-perf. carburetors, function, selection and installation, rebuilding tips, tuning for performance or economy. 111 pages photos ...26.15
A3778 63-65	BRACKET - metering rods / WCFB8.95
A3709 63-65	CHOKE COVER - Carter WCFB/AFB, used original (w/brass insert)42.95
A4025 63-65	CHOKE COVER - electric / all w/WCFB22.95
A4037 63-65	CHOKE FLAP - all WCFB16.95
A4037 63-65	CHOKE FLAP - all WCFB16.95
A3667 63-65	CHOKE LINKAGE KIT - LH side of carburetor from base plate to choke shaft, links, cam, dog legs, rod & lockout (7 pc)69.95
A4057 63-65	CLAMP/RETAINER - choke shaft, (LH)16.95
B4083 63-65	COVER/LID - Carter WCFB carburetor, (recond.) 35.00
A3668 63-65	CROSS SHAFT - choke flap24.95
B3735 64-65	FITTING - vacuum restriction, WCFB 1x4, vacuum,13.00
A3837 63-65	FLOAT - front, WCFB carburetor, original/recond., guaranteed39.95
A3887 63-65	FLOAT - rear, WCFB carburetor, original/recond., guaranteed39.95
A3843 63-65	FUEL FILTER - WCFB, installs behind fuel inlet nut/bronze4.75
A3783 63-65	FUEL INLET FITTING - WCFB7.25
A0126 58-65	GASKET - air cleaner to carburetor, WCFB4.35
A3968 63-65	GASKET - choke cover, WCFB2.50
A3882 63-65	GASKET - inserts between choke heat shield & choke cover, WCFB2.50
A3890 63-65	HEAT BAFFLE/SHIELD - inserts in WCFB choke cover w/retainer & spring24.50
B1590 64-65	HOSE - oil tube to carburetor (rear), 250/300hp, w/GM logo12.50
A3747 63-67	INSTALLATION KIT - accelerator rod, (2 grommets, 2 sleeves, 1 swivel)13.80
A4039 63-65	LEVER - vent bowl opener on accelerator pump cross shaft24.95
A3517 63-65	NEEDLE & SEAT SET - advanced roto design / holds up under 10psi from fuel pump [no need to worry about your fuel pump again], 2 pc ...13.95
A3827 63-65	PLATE - secondary baffle in choke housing, slotted steel11.40
A4080 63-65	PLATE - throttle body/base, Carter WCFB carb., (used)45.00
A4085 63-65	PLUG SET - WCFB base plate, aluminum6.50
A4087 63-65	PLUG SET - WCFB cover/lid, aluminum3.75
A4086 63-65	PLUG SET - WCFB main body, aluminum, (large & small sizes)9.95
A3823 63-65	RETAINER - choke cover, WCFB9.00

VISIT US ON THE WEB AT
www.ChicagoCorvette.net

A3969	63-65	ROD - choke lever (behind choke base) to choke cross shaft, WCFB	7.00
A3842	63-65	SCREW - choke lock out, WCFB	15.00
A3941	63-65	SCREW - fast idle, WCFB carburetor	3.65
A3849	63-65	SCREW KIT - replace all Phillister screws on WCFB, Phillister head, carburetor	10.50
A3970	63-65	SCREW SET - choke cover retainer, WCFB	1.80
A3900	63-65	SCREW SET - choke butterfly to choke cross shaft / 2pc	1.80
A3971	63-65	SCREW SET - choke housing to carburetor, WCFB, (3 pc.)	1.95
A3750	63-65	SCREW SET - Phillister head, choke cover retainer, (3 pc.)	1.25
A3864	63-65	SCREW SET - throttle shaft butterflies to throttle shafts, WCFB, (8 pc.)	3.50
A3995	63-65	SCREW W/SHOULDER - choke cam (LH lower on base WCFB carburetor)	8.00
A4081	63-65	SHAFT - choke, Carter WCFB carburetor	19.95
A4083	63-65	SHAFT - primary throttle, w/arm, Carter WCFB carburetor	39.95
A4084	63-65	SHAFT - secondary throttle, w/arm, Carter WCFB Carburetor	24.95
A3625	63-65	SPRING - choke control in choke cover	10.50
B3176	63-65	SPRING - fuel filter	1.50
A3582	63-65	SIGHT PLUG - WCFB main body, 2 required, aluminum, original, each	5.95
A3976	63-65	SPRING - fast idle screw, WCFB carburetor	2.25
A3450	63-65	SPRING - under accelerator pump	7.95
A3440	63-65	SPRING - under metering rod piston	5.95
A3955	63-65	STAND KIT - carburetor, elevates carb. 2' to facilitate servicing it, throttle shafts easily open, (4 pc.)	5.95

Fuel System: Carburetor - Holley 2 & 4 Barrel Dated Original / Unrestored

**ORIGINAL
DATED**



Originals with correct date codes. These are the "original carburetors" that came on 64-67 production Corvettes. They'll be dirty and need some clean up but they'll be complete. We guarantee them to be rebuildable - Satisfaction guaranteed. Delivery subject to availability of specific production codes. Over 800 original units in stock. Restoration of original 4 barrel carburetors purchased from us is \$329.95 (normal price is \$359.95) 2 barrels are \$225.00 ea. (normal price is \$265.00). See our website at www.ChicagoCorvette.net for more details on restoration.

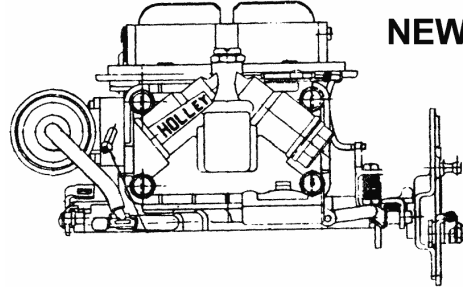
B1521	64E	CARBURETOR - Holley #2818, 350/365hp, dated RH side - CALL FOR DATES AVAILABLE BEFORE ORDERING	625.00
B1574	64	CARBURETOR - Holley #2818, 350/365hp - CALL FOR DATES AVAILABLE BEFORE ORDERING / some dates may be higher priced	495.00
B1579	65	CARBURETOR - Holley #2818-1, 350/365hp - CALL FOR DATES AVAILABLE BEFORE ORDERING	495.00
B1576	65	CARBURETOR - Holley #3124 396/425hp, (w/correct bowls) - CALL FOR DATES AVAILABLE BEFORE ORDERING	CALL
B1582	66	CARBURETOR - Holley #3247 427/425hp - CALL FOR DATES AVAILABLE BEFORE ORDERING	CALL
B1577	66	CARBURETOR - Holley #3367 300/350hp - CALL FOR DATES AVAILABLE BEFORE ORDERING	495.00
B1583	66	CARBURETOR - Holley #3370 427/390hp - CALL FOR DATES AVAILABLE BEFORE ORDERING	CALL
B1578	66	CARBURETOR - Holley #3605 300/350hp Calif - CALL FOR DATES AVAILABLE BEFORE ORDERING	595.00
B1581	66	CARBURETOR - Holley #3606 427/390hp Calif - CALL FOR DATES AVAILABLE BEFORE ORDERING	CALL
B0601	67	CARBURETOR - Holley #3418 HOLLEY 427 L88 - CALL FOR DATES AVAILABLE BEFORE ORDERING	795.00
B0602	67	CARBURETOR - Holley #3659 3x2 end, (2 req.) (ea.) - CALL FOR DATES AVAILABLE BEFORE ORDERING	495.00
B0603	67	CARBURETOR - Holley #3660 3x2 center, MT - CALL FOR DATES AVAILABLE BEFORE ORDERING	595.00
B1584	67	CARBURETOR - Holley #3810 300/350hp - CALL FOR DATES AVAILABLE BEFORE ORDERING	695.00
B1589	67	CARBURETOR - Holley #3811 427/390hp - CALL FOR DATES AVAILABLE BEFORE ORDERING	CALL
B1585	67	CARBURETOR - Holley #3814 300/350hp Calif - CALL FOR DATES AVAILABLE BEFORE ORDERING	695.00

B0600	67	CARBURETOR - Holley #3815 HOLLEY 427/390hp California - CALL FOR DATES AVAILABLE BEFORE ORDERING	CALL
B0604	67	CARBURETOR - Holley #3888 3x2 center, AT - CALL FOR DATES AVAILABLE BEFORE ORDERING	CALL

Fuel System: Carburetor - Holley 2 & 4 Barrel New

Holley

NEW



B1516	64 65	CARBURETOR - #2818 327 350/365/hp - NEW - 90 DAY WARRANTY	645.00
B1505	66	CARBURETOR - #3247, 427/425hp - NEW - 90 DAY WARRANTY	645.00
B1520	66	CARBURETOR - #3367, 327 300/350hp - NEW - 90 DAY WARRANTY	595.00
B1507	66	CARBURETOR - #3370, 427/390hp - NEW - 90 DAY WARRANTY	645.00
B1527	67	CARBURETOR - #3659, 3x2 end, (2 req.) (ea) - NEW - 90 DAY WARRANTY	395.00
B1511	67	CARBURETOR - #3660, 3x2 center, w/manual transmission/can be used in place of the list 3888 for automatic trans 427/400hp - NEW - 90 DAY WARRANTY	575.00
B1536	67	CARBURETOR - #3810 327 300/350hp - NEW - 90 DAY WARRANTY	645.00
B1540	67	CARBURETOR - #3811, 427/390hp - NEW - 90 DAY WARRANTY	645.00

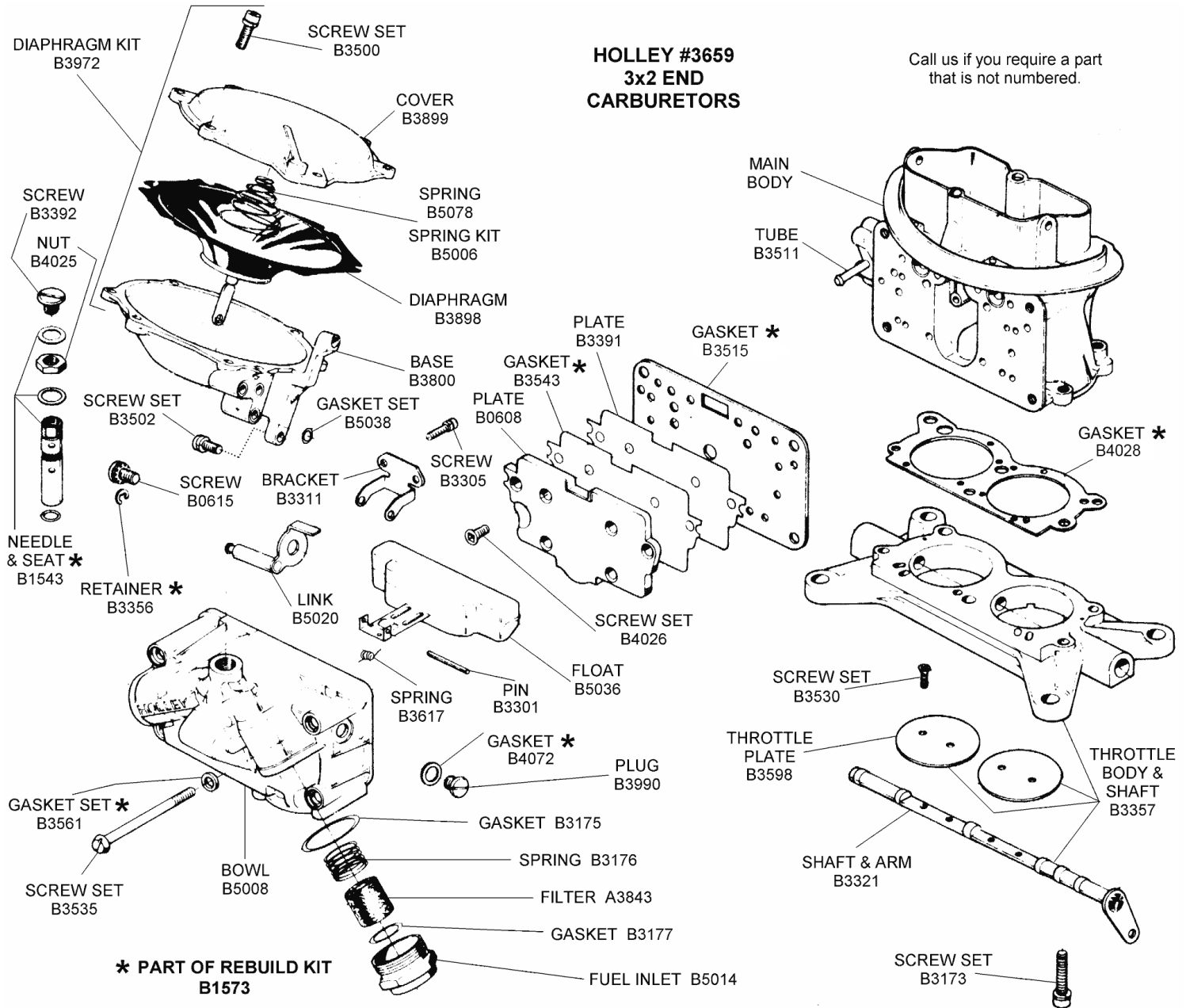
Fuel System: Carburetor - Holley 2 & 4 Barrel Remanufactured Replacements / Clones

These carburetors are great for the non-numbers matching owner who is on a budget. They are original Holley carburetor that are physically the same as Corvette OEM numbered units but with different list numbers. They are rebuilt (no replating or steel parts or run testing) and recalibrated to perform just like the OEM correct number units. 90 day warranty.

B0642	64-65	CARBURETOR - Holley, replaces Holley #2818	375.00
B0643	65	CARBURETOR - Holley, replaces Holley #3124, w/late bowls	325.00
B0648	66	CARBURETOR - Holley, replaces Holley #3247	425.00
B0645	66	CARBURETOR - Holley, replaces Holley #3367, 300/350hp	325.00
B0649	66-67	CARBURETOR - Holley, replaces Holley #3370, 427/390hp	355.00
B0646	66	CARBURETOR - Holley, replaces Holley #3605, 300/350hp	325.00
B0647	66-67	CARBURETOR - Holley, replaces Holley #3606, 427/390hp	325.00
B0650	67	CARBURETOR - Holley, replaces Holley #3810	325.00
B0654	67	CARBURETOR - Holley, replaces Holley #3811	355.00
B0652	67	CARBURETOR - Holley, replaces Holley #3814	325.00
B0656	67	CARBURETOR - Holley, replaces Holley #3815	355.00

Fuel System: Carburetor - Holley 2 Barrel Component Parts / TRI POWER

A3746	67	BUSHING & INSERT KIT - accelerator rod	3.80
B3307	67	BAFFLE - metering block vent	1.65
B3800	67	BASE - secondary diaphragm, Holley list #3659	26.65
B3357	67	BASE PLATE ASSEMBLY - throttle body, w/shaft & butterflies, Holley #3659	129.95
B3358	67	BASE PLATE ASSEMBLY - throttle body, w/shaft & butterflies, Holley #3660/3888 carburetor	299.95
B3548	67	BLEED - main body, air horn area, large, (2 req.) (ea)	2.50
B3547	67	BLEED - main body, air horn area, small, (2 req.) (ea)	2.50
K3301	67	BOLT/PIN - linkage pivot point center carb	9.95
B3546	67	BOOSTER - main body Holley # 3360, 3888	19.95
B3566	67	BOOSTER - main body, Holley #3659, 3x2 end	7.95
B5009	67	BOWL - center carburetor, Holley #3660, 3888, w/o vent	69.95



B5012	67	FLAP/PLATE - choke	4.95	B5038	67	GASKET SET - secondary diaphragm base to #3659 carb. body, (2 pc.)	1.00
B5036	67	FLOAT - carburetor, all #3659, 3x2, end	9.95	B4072	67	GASKET SET - sight plugs, Holley (2 pc.)	1.00
B5037	67	FLOAT - carburetor, all #3660, 3888, all 3x2, center carbs	12.00	B3544	67	GASKET SET - steel metering plate to Holley #3659 main body, (2 pc.)	2.50
A3843	67	FUEL FILTER - bronze, behind fuel inlet nut, (1 req. per carb.)	4.75	B5015	67	GUIDE - choke rod, white plastic	1.00
B5014	67	FUEL INLET FITTING - Holley #3659, 3660, 3888, large inlet, 3/8"	8.95	B3650	67	HOSE KIT - tri-power carbs, end carburetor to center & choke pull-off, w/'T' fitting	4.50
B3568	67	FUEL INLET KIT - 1 tri power carburetor / 5pc, 1 each: fuel inlet fitting, fuel filter & spring and large & small gaskets	12.95	B2407	67	INK STAMP KIT - Holley carburetor numbers, list & inspection, rubber (specify date, year & Holley list number)	26.95
B3567	67	FUEL INLET KIT - 3 tri power carburetors / 15pc, 3 each: fuel inlet fitting, fuel filter & spring and large & small gaskets	32.95	B3648	67	JET SET - Holley #3660, .064, (pr)	4.50
B1567	67	GASKET - carb to aluminum intake, Holley	8.00	B3649	67	JET SET - Holley #3888, .062, (pr)	4.50
B1568	67	GASKET - carb to cast iron intake, Holley	4.00	B3597	67	LEVER - accelerator pump cover	1.95
B3543	67	GASKET - die cast metering plate to steel metering plate	1.00	B3894	67	LEVER - accelerator pump on stud	4.95
B3177	67	GASKET - fuel filter, small	0.25	B3890	67	LEVER - choke control, screws to primary throttle shaft, RH	8.95
B3175	67	GASKET - fuel inlet, large, (aluminum w/rubber coating, as original)	1.00	B4075	67	LEVER/ARM - accelerator pump cover	1.75
B4076	67	GASKET - main body to base plate, Holley 3x2	1.75	B3891	67	LINK - fast idle cam cage to choke pull-off	4.15
B4070	67	GASKET - power valve	1.00	B5020	67	LINK - secondary diaphragm, on throttle shaft, RH	9.50
B0606	67	GASKET SET - 3x2 carburetors to intake, (3pc.)	9.00	B3766	67	LINK & SCREW KIT - 3659 end carburetors on RH of throttle shafts. does 2 carburetors, 4pc	17.95
B3541	67	GASKET SET - bowl to metering block, (2 pc.)	2.50	B5983	67	MAIN BODY - 3660, 3888, 4055 or 4056 Holley center carburetor w/o numbers w/o boosters	145.00
B0162	67	GASKET SET - carburetors to air cleaner, (3 pc.)	8.00	B3652	67	METERING BLOCK - front Holley #3660, stamped #5062	79.95
B3561	67	GASKET SET - fuel bowl screws, (8 pc.)	2.65	B3524	67	METERING BLOCK - front Holley #3660/4055	49.95
B3862	67	GASKET SET - idle air screws in metering block, (2 pc.)	1.00	B3516	67	METERING BLOCK - front Holley #3888	59.95
B3515	67	GASKET SET - metering block to main body, (2 pc.)	2.50	B3653	67	METERING BLOCK - front Holley #3888, stamped #5257	79.95
B4074	67	GASKET SET - nozzle squirter, (2 pc.)	1.00				

B3391	67	METERING PLATE - fuel, all w/die cast metering plate, thin steel, installs between die cast metering plate & main body3.95
B0608	67	METERING PLATE - fuel, Holley #3659 secondary carburetor, die cast29.95
B1543	67	NEEDLE & SEAT SET - float5.85
B3343	67	NEEDLE & SEAT SET - float / improved no stick rotary design7.95
B3318	67	NEEDLE VALVE - pump discharge nozzle1.25
B3563	67	NOZZLE - pump discharge, (.025) Holley #3888 11.45
B3313	67	NOZZLE - pump discharge, Holley #366011.45
B4027	67	NUT - bolt/pin locking 3x2 linkage pivot at center carb1.45
B4025	67	NUT - needle & seat height locking1.25
B3301	67	PIN - float to bracket retainer1.00
B3598	67	PLATE SET - throttle, #3659 carburetor, aluminum, (pr)19.95
NOTE: When rebuilding/restoring Holley #3659 ends, new throttle plates dramatically improve drivability and performance.		
B3651	67	PLATE SET - throttle, Holley #3660, 3888, 3x2 center carb (pr)10.75
B4079	67	POWER VALVE - Holley #3660, 3888 metering block (6.5)6.00
B3507	67	PUMP - accelerator, (30 cc) standard5.75
B3646	67	RETAINER - accelerator pump arm to cover1.00
B3174	67	RETAINER/'E' CLIP - accelerator pump lever & choke cam & cage1.00
B3356	67	RETAINER/'E' CLIP - secondary diaphragm rod to link, choke cam & cage1.00
B5021	67	ROD - choke cross shaft to choke plastic cam cage/lever, 3x213.60
B3172	67	SCREW - accelerator pump adjusting on lever .1.00
B3317	67	SCREW - accelerator pump cam retainer, on accelerator lever1.00
B3354	67	SCREW - air/fuel mixture1.75
B3325	67	SCREW - bowl vent lever retainer1.00
B3769	67	SCREW - fast idle on throttle body1.25
B4078	67	SCREW - fuel bowl, 2 1/2' length, original, replated, for 3660/3888 (ea)2.95
B4077	67	SCREW - fuel bowl, 2.0' length, original, replated, for 3659 (ea)2.95
B0615	67	SCREW - lever to throttle shaft for choke lock out / base plate right hand side, (ea) .1.00
B3392	67	SCREW - needle & seat height locking1.00
B3309	67	SCREW - pump discharge nozzle1.00
B3572	67	SCREW SET - accelerator pump (30 cc) cover, clutch head (tapered), 3/8' long, used on B3508 cover, (4 pc.)3.25
B3767	67	SCREW SET - accelerator pump (30 cc) cover, Phillips 3/8' long, used on B3570 cover, (4 pc.)3.25
B3573	67	SCREW SET - accelerator pump (50 cc) cover, 5/8' long, used on B3571 5/8' long (4 pc.) used on B3508 cover3.25
B3872	67	SCREW SET - choke flap, (2 pc.)1.25
B3957	67	SCREW SET - choke pull-off retaining, (2 pc.) 1.50
B3305	67	SCREW SET - float bracket retaining, (2 pc.) .1.25
B3883	67	SCREW SET - fuel bowl, 2 1/2' length, Holley #3660, 3888 (4 pc./replacement)4.95
B3535	67	SCREW SET - fuel bowl, current design, 2' length, Holley #3659 (4 pc./replacement)4.95
B4026	67	SCREW SET - metering plate to main body, Holley #3659, (6 pc.)3.95
B3550	67	SCREW SET - throttle body to carburetor main body, (5 pc.)2.40
B3530	67	SCREW SET - throttle shaft plates to shaft, Holley, (8 pc.)4.50
B3502	67	SCREW SET - vacuum secondary base to Holley #3659 carburetor body, (4 pc.)3.45
B3500	67	SCREW SET - vacuum secondary diaphragm, cover to base, #3659 Holley tri-power end carburetor, (6 pc.)3.75
B5022	67	SHAFT - choke flap (HOLLEY 2 & 4 BARRELS)7.95
B3321	67	SHAFT ASSEMBLY - throttle, w/lever, Holley #365970.95
B3359	67	SHAFT ASSEMBLY - throttle, w/lever, Holley #3660, 3888CALL
B3990	67	SIGHT PLUG/SCREW - fuel bowl, to check fuel level1.50
B3171	67	SPRING - accelerator pump adjusting on lever1.00
B3355	67	SPRING - accelerator pump diaphragm1.00
B3953	67	SPRING - fast idle screw on throttle body1.50
B3617	67	SPRING - float1.50
B3176	67	SPRING - fuel filter, in bowl behind inlet nut1.50
B5078	67	SPRING - secondary diaphragm, Holley #3659 3x2, (brown)2.95
B3545	67	SPRING - secondary diaphragm, Holley #3659 3x2, (Hi-perf.)2.95
B5006	67	SPRING KIT - secondary diaphragm, 7 springs for adjusting accelerator response14.25
A3955	67	STAND KIT - carburetor, elevates 2', (4 pc.) .5.95

NOTE: Stand Kit #A3955 facilitates servicing of the lower end of the carburetor.

B3768	67	STUD - accelerator pump lever on base plate, LH front2.50
B3538	67	STUD - choke cam & cage, presses into main body, RH7.85
B3511	67	TUBE - vacuum hose on RH side for vacuum advance, all 3x2 carbs (press-in)2.00

Fuel System: Carburetor - Holley 4 Barrel Component Parts

B3507	64-67	ACCELERATOR PUMP - 30 cc / standard5.75
B3307	64-67	BAFFLE - metering block vent, (1 req. per metering block/plastic)1.65
B3881	64-67	BASE - vacuum secondary diaphragm14.00
B5040	64-65	BASE PLATE ASSEMBLY - throttle body, w/all shafts & levers, Holley #2818199.95
B3326	65	BASE PLATE ASSEMBLY - throttle body, w/all shafts, Holley #3124 carburetor, recond./restored179.95
B3752	66	BASE PLATE ASSEMBLY - throttle body, w/all shafts & levers, Holley #3247 carburetor ...199.95
B3753	66	BASE PLATE ASSEMBLY - throttle body, w/all shafts & levers, Holley #3367, 3370 carburetors179.95
B3327	67	BASE PLATE ASSEMBLY - throttle body, w/all shafts, Holley #3418 carburetor, recond./restored299.95
B3527	66	BASE PLATE ASSEMBLY - throttle body, w/all shafts & levers, Holley #3605, 3606, all California 300/350hp w/large rear tube199.95
B3754	67	BASE PLATE ASSEMBLY - throttle body, w/all shafts & levers, Holley #3810 & 3811 carburetors179.95
B3526	67	BASE PLATE ASSEMBLY - throttle body, w/all shafts & levers, Holley #3814 & 3815, all California 300/350hp w/large rear tube199.95
L0127		BOOK - Holley Carburetors, Manifolds & Fuel Injection revised 4th Edition, a detailed guide to Holley carburetors and manifolds, this book covered high-performance carburetors, selection and installation, the relationship between carburetors and manifolds, air and fuel requirements, and tuning for performance or economy, 223 pages with many photos17.00
B3801	64-65	BOWL - fuel, front (primary), Holley #2818 .49.95
B5028	65	BOWL - fuel, front (primary), Holley #3124 396/425hp, w/small fuel inlet399.95
B5027	66	BOWL - fuel, front (primary), Holley #3247, w/vent, cathedral style79.95
B5002	66	BOWL - fuel, front (primary), Holley #3367, 3370, 3605 & 360659.95
B5002U	66	BOWL - fuel, front (primary), Holley #3367, 3370, 3605 & 3606/used49.95
B5001	67	BOWL - fuel, front (primary), Holley #3418, w/o vent (cathedral style)69.95
B3897	67	BOWL - fuel, front (primary), Holley #3810, 3811, 3814 & 3815, w/o provision for float adjustment, as original64.95
B3803	64-66	BOWL - fuel, rear (secondary), Holley #2818, 3367, 3370, 3605, 360624.95
B5029	65	BOWL - fuel, rear (secondary), Holley #3124 396/425hp, w/small fuel inlet399.95
B5003	66-67	BOWL - fuel, rear (secondary), Holley #'S 3247 & 3418 (cathedral style)59.95
B5013	67	BOWL - fuel, rear (secondary), Holley #3810, 3811, 3814 & 3815, w/o provision for float adjustment, as original59.95
B5043	64-66	BOWL ASSEMBLY - fuel, rear (secondary), Holley #2818, 3367 3370, 3605, 3606, complete w/float, bracket, needle & seat, etc.49.95
B5050	65	BOWL SET - fuel, 396/425hp Holley #3124 w/small fuel inlet, (pr)749.95
B3311	65-67	BRACKET - float, in fuel bowl, Holley #3124, 3247, 34181.45
B3531	64-67	BUSHING SET - primary throttle shaft, to repair worn out throttle Shaft holes in base plate, may require reaming of base, brass, (2 pc.)5.00
B3532	64-67	BUSHING SET - secondary throttle shaft, Teflon, (4 pc.)3.00
B3531	68-69	BUSHING SET - throttle shaft, to repair worn out throttle shaft holes in base plate, may require reaming of base, brass, (2 pc.)5.00
B3889	66-67	CAGE/LEVER - installs on fast idle plastic cam9.95
B3560	64-67	CAM - accelerator pump on throttle shaft arm, Holley #2818, 3124, 3367, 3418, 3605, 3247, 3810, 3814, white color2.95
B3315	66-67	CAM - accelerator pump on throttle shaft arm, Holley #3370, 3606, 3811, 3815, red color 2.95
B3647	64-67	CAM KIT - accelerator pump, on throttle shaft arm, different profiles & colors, (8 pc.)18.60

NOTE: Cam Kit B3647 allows custom tailoring of accelerator pump response.		
B3874	64-65	CAM - choke, behind choke base, Holley #2818, 3124 carburetors7.95
B3887	66-67	CAM - choke, plastic, RH side of carburetor .12.95
B3513	64-67	CHECK BALL - secondary diaphragm cover1.00
B3875	64-65	CHOKE BASE ASSEMBLY - w/cam & levers, Holley #2818 & 312459.95
B3578	64-65	CHOKE FLAP KIT - Holley 4 barrel carburetors / all components on top of carburetor, list #'s 2818, 2818-1 & 3124 / 4PC18.95
B3579	66-67	CHOKE FLAP KIT - holley carburetor/all upper components on top of carburetor / 4PC .24.95
B3575	64-65	CHOKE KIT - Holley 4 barrel carburetors list #'s 2818, 2818-1 & 3124 / complete105.95
B4000	66-67	CHOKE KIT - holley carburetor/all components on RH side & top of carburetor ...99.95
B3607	64-67	CHECK VALVE - accelerator pump / installs in bowl, red rubber, many HI PERF applications 2.95
B3888	66-67	CHOKE PULL-OFF - all Holley 4 barrel carburetors19.95
B3973	64-67	COTTER PIN - for link between primary & secondary shaft1.00
B3570	64-67	COVER - accelerator pump (30 cc), for use w/Phillips non-tapered screw set #B376710.00
B3608	64-67	COVER - accelerator pump (30 cc), w/beveled screw holes for Tapered clutch head screw set #B377214.50
B3571	64-67	COVER - accelerator pump (50 cc), performance version, for use with phillips screw set B357314.00
NOTE: Cover B3571 will provide extra performance. Not originally used on Corvettes.		
B3876	64-65	COVER - choke, Holley #2818, 3124 carb., black plastic, w/heat coil24.95
B3777	64-65	COVER - choke, Holley #2818, 3124, electric - not as original24.95
B3882	64-67	COVER - vacuum secondary diaphragm single 4 barrel, Holley14.00
B1541	64-67	DIAPHRAGM - secondary 1X419.95
B5080	66-67	FAST IDLE SOLENOID KIT - Holley, 327/427, w/ac99.95
NOTE: Fast Idle Kit B5080 is designed for air conditioned cars to increase idle when air conditioning is turned on. Includes bracket, solenoid, retainer, fasteners and instructions. Mounts on LH side of carburetor. Not originally on carburetor from factory.		
A3843	66-67	FILTER - fuel, bronze, behind fuel inlet nut4.75
A3780	64-65	FILTER/STRAINER - fuel, in bowl behind fuel inlet fitting (AFB)1.95
B3170	64-67	FITTING - accelerator pump adjusting on lever1.00
B1523	64-65	FITTING - vacuum, Holley #2818, 327/350-365hp, mounts on LH side for PCV hose, (#2818 Carburetor will not function properly w/o this fitting)19.95
B3549	65	FITTING - vacuum, Holley #3124 396/425hp, mounts on LH side for PCV tube, 1/8' pipe w/restrictor14.50
B5081	64-67	FLAP/PLATE - choke, correct7.25
B3839	64-67	FLOAT - Holley, #2818, 3367, 3370, 3605, 3606, 3810, 3811, 3814, 3815, (2 req.) (ea) ...8.95
B5004	65-67	FLOAT - Holley, Cathedral style, Hi-Perf #3124, 3247, 3418, (2 req.) (ea)8.95
B5011	64-65	FUEL INLET FITTING - banjo style for Holley #2818, (accepts hose)7.25
B3892	66-67	FUEL INLET FITTING - Holley #3247, 3367, 3418, 3605, 3810, 3814, small inlet, (1 or 2 req.), 5/16' (ea)8.95
B5014	66-67	FUEL INLET FITTING - Holley #3370, 3606, 3811 & 3815, large inlet, 3/8' size8.95
B5007	64-65	FUEL INLET FITTING KIT - banjo style, w/retainer & 2 gaskets, HOLLEY # 2818, (4 pc.)11.95
B5051	65	FUEL INLET FITTING SET - acorn style, 396/425hp, Holley #312459.95
B5053	65	FUEL INLET FITTING SET - w/extended threads, acorn style, 396/425HP Holley #3124 89.95
B4082	66-67	FUEL INLET KIT - 327/300-350HP Holley carburetor / 5pc, 1 each: fuel inlet fitting, fuel filter & spring and large & small gaskets ...12.95
B3568	66-67	FUEL INLET KIT - 427/390HP Holley carburetor / 5pc, 1 each: fuel inlet fitting, fuel filter & spring and large & small gaskets ...12.95
B4069	65-67	FUEL INLET FITTING KIT/HOLLEY - FOR 3124, 3247 & 3418 4150 SERIES HOLLEYS/INCLUDES 2 EACH: FUEL INLET NUTS, FUEL FILTERS, FILTER SPRINGS & LARGE & SMALL GASKETS GASKETS [ON 3124 ONLY THOSE W/LARGE INLET BOWLS]13.95
B3539	64-67	GASKET - carburetor base to main body, 785 CFM Holley #3124, 3247, 34181.75
B5421	67	GASKET - carburetor base to main body, Holley #3418, 4054, 42961.75
B4073	64-67	GASKET - carburetor base to throttle plate Holley #2818, 3367, 3370, 3605, 3606, 3247 ...1.75
B3542	64-67	GASKET - choke cover, Holley #2818 & 31241.00
B3543	66-67	GASKET - die cast metering plate to steel metering plate1.00
B3177	64-67	GASKET - fuel filter, small0.25
B3175	64-67	GASKET - fuel inlet, large, (aluminum w/ rubber coating as original)1.00
B4070	63-67	GASKET - power valve1.00
B4080	64-67	GASKET SET - bowl to metering block, (2 pc.) .1.50
B3561	64-67	GASKET SET - fuel bowl screws, (8 pc.)2.65
B5010	64-65	GASKET SET - fuel inlet fitting, Holley #2818, (2 req.) (2 pc.) (steel)1.75
B3862	67	GASKET SET - idle air screws in metering block, (2 pc.)1.00
B3515	64-67	GASKET SET - metering block to main body, (2 pc.)2.50
B3544	67	GASKET SET - metering plate (steel) to main body, (2 pc.)2.50
B3162	64-67	GASKET SET - needle & seat, (does 2) (4 pc.) .1.00
B4074	63-67	GASKET SET - nozzle squirter, Holley (2 pc.) .1.00
B5038	64-67	GASKET SET - secondary diaphragm base to carburetor body1.00
B4072	64-67	GASKET SET - sight plugs, Holley (2 pc.)1.00
B5015	64-67	GUIDE - choke rod, white plastic1.00
B5083	64-67	HOSE - choke pull off , HOLLEY 4 barrel1.00
B0176	64-65	HOSE - fitting on LH side to oil filter tube w\GM logo, Holley #281810.80
B3574	66-67	HOSE KIT - vacuum pull-off to base plate, 4 barrel1.25
B2407	64-67	INK STAMP KIT - Holley numbers, list & inspection, rubber (specify date, year & Holley list number)26.95
B3645	67	JET KIT - metering block, front & rear, Holley #3418, (4 pc)10.00
B3781	64-67	JET SET - metering block, front, Holley #2818, 3367, 3370, 3606, 3810, 3811, (.065) (2 pc.)4.50
B3644	64-66	JET SET - metering block, front, Holley #3124, 3247, (0.70) (2 pc.)4.50
B3634	66-67	JET SET - metering block, front, Holley #3605, 3814, (pr)4.50
B3660	67	JET SET - metering block, front, Holley #3815, (2 pc.)4.50
B5024	64-67	JET SET - metering block, [.076] rear, Holley #2818, 3124, 3247, (2 pc.)4.50
B3894	64-65	LEVER - accelerator pump on stud4.95
B3633	66	LEVER - accelerator pump, w/stud19.95
B3877	67	LEVER - accelerator pump on stud5.95
B3890	66-67	LEVER - choke control, mounts to primary throttle shaft, RH8.95
B3361	64-65	LEVER - fast idle pick-up9.65
B3514	64-67	LEVER - secondary throttle shaft, secondary diaphragm rod attaches to it, RH ...3.95
B4075	64-67	LEVER/ARM - accelerator pump cover1.75
B3895	66	LEVER/ARM - bowl vent, Holley #32478.95
B3747	66-67	LEVER/ARM - bowl vent, Holley #3367, 3370, 3605, 3606, 3810, 3811, 3814, 381515.65
B3891	66-67	LINK - fast idle cam cage to choke pull-off .4.15
B3880	64-65	LINK - primary throttle shaft to secondary, w/cotter key1.95
B3893	66-67	LINK - primary throttle shaft to secondary ...4.95
B4120	64-65	METERING BLOCK - front, Holley #2818, stamped # 4094 w/screw in hole for vacuum advance line79.95
B3517	64-65	METERING BLOCK - front, Holley #2818, w/vacuum pipe for vacuum advance59.95
B3518	65	METERING BLOCK - front, Holley #312459.95
B4121	65	METERING BLOCK - front, Holley #3124, stamped #445689.95
B3525	66	METERING BLOCK - front, Holley #324759.95
B4122	66	METERING BLOCK - front, Holley #3247, stamped #490179.95
B3758	66-67	METERING BLOCK - front, Holley #3367, 3810 ...59.95
B4125	66-67	METERING BLOCK - front, Holley #3367, 3810, stamped #474379.95
B3759	66-67	METERING BLOCK - front, Holley #3370, 3811 ...69.95
B4126	66-67	METERING BLOCK - front, Holley #3370, 3811, stamped #479679.95
B4085	67	METERING BLOCK - front, Holley #341869.95
B4127	67	METERING BLOCK - front, Holley #3418, stamped #496394.95
B3521	66-67	METERING BLOCK - front, Holley #3605, 3814 ...59.95
B4123	66-67	METERING BLOCK - front, Holley #3605, 3814, stamped # 492079.95
B3522	66	METERING BLOCK - front, Holley #360654.95
B4124	66	METERING BLOCK - front, Holley #3606, stamped #527779.95
B5082	67	METERING BLOCK - front, Holley #381559.95
B4131	67	METERING BLOCK - front, Holley #3815, stamped #526479.95
B3643	64-65	METERING BLOCK - rear, Holley #281859.95
B4128	64-65	METERING BLOCK - rear, Holley #2818, stamped #409979.95
B3778	65-66	METERING BLOCK - rear, Holley #3124, 3247 ...59.95

B4130 65-66	METERING BLOCK - rear, Holley #3124, 3247, stamped #4519	69.95	B0615 66-67	SCREW - lever to primary or secondary throttle shafts, right hand side of base plate, ea	1.00
B3642 67	METERING BLOCK - rear, Holley #3418	74.95	B3392 64-67	SCREW - needle & seat height locking	1.00
B4129 67	METERING BLOCK - rear, Holley #3418, stamped #4965	94.95	B3309 64-67	SCREW - pump discharge nozzle	1.00
NOTE: These metering blocks come in 2 varieties, service replacements and correctly numbered.					
B3391 66-67	METERING PLATE - fuel, all w/die cast metering plate, thin steel, installs between die cast metering plate & main body	3.95	B5026 64-67	SCREW - secondary throttle adjusting, (on base plate)	2.00
B3791 66-67	METERING PLATE - fuel, die cast, Holley #3367, 3605, 3810, 3814, rear of carburetor, (.022)	23.95	B3572 64-67	SCREW SET - accelerator pump (30 cc) cover, clutch head, (tapered) 3/8' long (4 pc.) used on B3608 cover	3.25
B3790 66-67	METERING PLATE - fuel, die cast, Holley #3370, 3606, 3811, 3815, rear of carburetor, (.017)	23.95	B3767 64-67	SCREW SET - accelerator pump (30 cc) cover, phillips, 3/8' long, used on B3570 cover	3.25
B1543 64-67	NEEDLE & SEAT SET - w/adjustable float, (2 req.) (ea)	5.85	B3573 64-67	SCREW SET - accelerator pump (50 cc) cover, 5/8' long, used on B3571 5/8' long (4 pc) used on B3508 cover	3.25
B3343 64-67	NEEDLE & SEAT SET - w/adjustable floats / improved no stick rotary design	7.95	B3616 64-65	SCREW SET - choke base mounting, Holley #2818, 3124	1.60
B4088 67	NEEDLE & SEAT SET - w/non-adjustable float, 2 req. ea	6.50	B3536 64-65	SCREW SET - choke cover retainer, (3 pc.)	1.95
B3318 64-67	NEEDLE VALVE - pump discharge nozzle	1.25	B3872 64-67	SCREW SET - choke flap, (2 pc.)	1.25
B3562 64-65	NOZZLE - pump discharge, (.025) Holley	17.15	B3957 66-67	SCREW SET - choke pull-off retaining, (2 pc.)	1.50
B4025 64-67	NUT - needle & seat height locking	1.25	B3305 64-67	SCREW SET - float bracket retaining, (2 pc.)	1.25
B4675 64-67	'O' RING SET - fuel transfer tube, rubber, (2 pc.)	1.00	B3883 64-67	SCREW SET - fuel bowl, 2 1/2' length, current design, (4 pc.)	4.95
B3301 65-67	PIN - float to bracket retainer	1.00	B3535 64-67	SCREW SET - fuel bowl, 2.0' length, current design, (4 pc.)	4.95
B3394 65-66	PLATE - throttle shaft, #3124, 3247, (4 req.) (ea)	2.65	B4026 66-67	SCREW SET - metering plate to main body, Holley #3667, 3370, 3605, 3606, 3810, 3811, 3914, 3815, (6 pc.) (clutch head)	3.95
B4086 67	PLATE - throttle shaft, #3418, #4054, #4296 (4 req.) (ea)	4.25	B3501 64-67	SCREW SET - secondary diaphragm cover to base, 4 barrel, (4 pc.)	2.95
B3609 64-67	PLATE SET - primary throttle shaft, front, Holley #2818, 3367, 3370, 3605, 3606, 3810, 3811, 3814, 3815	3.95	B3173 64-67	SCREW SET - throttle body to carburetor main body, 6 pc	4.75
B3636 64-67	PLATE SET - secondary throttle, rear, Holley #2818, 3367, 3605, 3606, 3810, 3811, 3814, 3815, (pr)	3.95	B3530 64-67	SCREW SET - throttle shaft plates to shaft, Holley, 8 pc	4.50
B3638 64-67	PLATE SET - throttle, Holley #2818, 3367, 3370, 3605, 3606, 3810, 3811, 3814, 3815, (4 pc.)	5.95	B3503 64-67	SCREW SET - vacuum secondary assembly to 4 barrel carburetor body, (3 pc.)	2.50
B3639 65-67	PLATE SET - throttle, Holley #3247, (780 cfm) (4 pc.)	5.95	B3480 66-67	SEAL - bowl vent, rubber, snaps into bowl vent lever	1.00
B3551 64-65	PLUG - metering block wells (1/4') Holley	1.00	B3385 64-67	SHAFT & LEVER ASSEMBLY - throttle secondary	22.95
B3681 64-67	POWER VALVE - Holley metering block 1.0	5.95	B5017 64-65	SHAFT & LEVER ASSEMBLY - throttle, Holley #2818	69.95
B3682 64-67	POWER VALVE - Holley metering block 2.0	5.95	B4089 65	SHAFT & LEVER ASSEMBLY - throttle, Holley #S 3124, 3130 & 3310	49.95
B3683 64-67	POWER VALVE - Holley metering block 3.5	5.95	B3508 66	SHAFT & LEVER ASSEMBLY - throttle, Holley #3247, 3367, 3370, 3605, 3606	44.95
B3684 64-67	POWER VALVE - Holley metering block 4.5	5.95	B4090 67	SHAFT & LEVER ASSEMBLY - throttle, Holley #3418	69.95
B4079 64-67	POWER VALVE - Holley metering block 6.5, all exc. Holley #3124, 3247 (1 or 2 req.) (ea)	6.00	B3509 67	SHAFT & LEVER ASSEMBLY - throttle, Holley #3810, 3811, 3814, 3815	69.95
B3681 64-67	POWER VALVE - Holley metering block 7.5	5.95	B3871 64-65	SHAFT - choke flap/plate	12.95
B4081 65-66	POWER VALVE - Holley metering block 8.5, #3124 or 3247, (2 req.) (ea)	6.00	B3884 66-67	SHAFT - choke flap/plate	19.95
B3507 64-67	PUMP - accelerator (30 cc) standard	5.75	B5991 64-65	SHIELD - needle & seat, front bowl, Holley #2818, plastic	1.85
B3507G64-67	PUMP - accelerator, 30CC, ALCOHOL/METHANOL resistant	8.95	B3666 64-65	SHIELD - needle & seat, rear bowl, Holley #2818, plastic	1.85
B1557 64-67	PUMP - accelerator (50 cc) (for a use only w/50cc cover)	8.65	B3990 64-67	SIGHT PLUG/SCREW - fuel bowl, to check fuel level	1.50
NOTE: Accelerator Pump B1557 is used to provide extra acceleration. Not stock on OEM Holley carburetors.					
B3646 64-67	RETAINER - accelerator pump arm to cover	1.00	B3171 64-67	SPRING - accelerator pump adjusting, on lever	1.00
B3896 64-67	RETAINER - bowl vent lever	3.65	B3355 64-67	SPRING - accelerator pump diaphragm	1.00
B3869 64-65	RETAINER - choke cover, Holley #2818 or 3124, black	3.65	B3621 66-67	SPRING - bowl vent lever, Holley	1.75
B4087 64-67	RETAINER SET - floats, (2 pc.)	1.00	B5084 67	SPRING - choke rod, Holley #3418	12.95
B3174 64-67	RETAINER/ 'C' CLIP - accelerator pump lever choke & cam cage	1.00	B3664 64-65	SPRING - fast idle cam lever screw	1.00
B4060 64E	RETAINER/ 'C' CLIP - Holley bowl vent	1.00	B3663 64-65	SPRING - fast idle cam lever/choke	1.45
B3356 66-67	RETAINER/ 'C' CLIP - secondary diaphragm rod to link	1.00	B3953 64-67	SPRING - fast idle screw on throttle body	1.50
B5016 64-65	RETAINER/FITTING - fuel inlet, holds banjo fuel inlet fitting to bowl for Holley #2818	2.95	B3615 64-67	SPRING - float, front, Holley #2818, 3367, 3370, 3605, 3606, 3810, 3811 & 3814	1.50
B3873 64-65	ROD - choke cross shaft to choke cam behind choke base	4.95	B3617 65-67	SPRING - float, Holley #3124, 3247, 3418, primary & secondary, (ea)	1.50
B5025 67	ROD - choke cross shaft to choke cam cage/lever w/#3418	12.95	B3604 64-67	SPRING - float, rear, Holley, #2818, 3367, 3370, 3605, 3606, 3810, 3811 & 3314	1.50
B5042 67	ROD - choke cross shaft to plastic choke cam cage/lever, except Holley #3418	11.95	B3176 66-67	SPRING - fuel filter in bowl behind inlet nut	1.50
B3885 66-67	ROD - choke cross shaft to plastic choke cam cage/lever, (except Holley #3418)	7.95	B3977 66-67	SPRING - secondary diaphragm, Holley #2818, 3367, 3370, 3605, 3606, 3810, 3811, 3814, 3815	2.25
B3172 64-67	SCREW - accelerator pump adjusting on lever	1.00	B3629 65-66	SPRING - secondary diaphragm, Holley #3124, 3247,	4.50
B3317 64-67	SCREW - accelerator pump cam retainer, on accelerator lever	1.00	B3611 67	SPRING - secondary diaphragm, Holley #3418	3.75
B3354 64-67	SCREW - air/fuel mixture	1.75	B3632 64-67	SPRING - secondary diaphragm, Holley purple	2.25
B3325 66-67	SCREW - bowl vent lever retainer	1.00	A3955 64-67	STAND KIT - carburetor, elevates carb. 2' to facilitate servicing it, throttle shafts easily open, (4 pc.)	5.95
B3769 64-67	SCREW - fast idle	1.25	B3878 64-65	STUD - accelerator pump lever, on base plate, LH front	2.95
B3665 64-65	SCREW - fast idle cam adjusting	1.00	NOTE: 1966 Holley's have a combined lever & stud for the accelerator pump.		
B4078 64-67	SCREW - fuel bowl, 2 1/2' length, original, replated, (ea)	2.95	B3768 64-67	STUD - accelerator pump lower, on base plate, LH front, all except 1966 Holleys	2.50
B4077 64-67	SCREW - fuel bowl, 2.0' length, original, replated, (ea)	2.95	B3538 66-67	STUD - choke cam & cage, presses into main body, RH	7.85
			B5041 64-65	THROTTLE SHAFT & LEVER ASSEMBLY - Holley #2818	49.95
			B3510 66	THROTTLE SHAFT & LEVER ASSEMBLY - Holley #3247, 3367, 3370, 3605, 3606	44.95

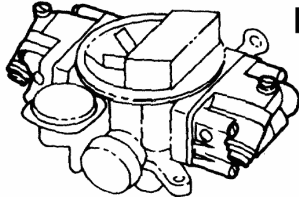
B1544	67	THROTTLE SHAFT & LEVER ASSEMBLY - Holley #3418 (restored)	69.95
B3528	64-67	TUBE - air horn bowl vent, front, short, (angle cut)	1.45
B3533	64-67	TUBE - air horn bowl vent, front, short, (straight cut)	1.45
B3529	64-67	TUBE - air horn bowl vent, rear, long, (angle cut)	1.45
B3534	64-67	TUBE - air horn bowl vent, rear, long, (straight cut)	1.45
B3511	65-67	TUBE - base plate, RH front, small vacuum advance (press-in)	2.00
B3512	66-67	TUBE - base plate, RH rear breather, press-in	3.75
B3788	66-67	TUBE - fuel transfer, front to rear bowl, Holley - short	12.95

Fuel System: Carburetor - Holley 4 Barrel Restored - Replacements / Clones

These carburetors are great for the non-numbers matching Corvette owner. They are original Holley carburetors that are physically the same as Corvette OEM numbered units but with different list numbers. They are restored and re-calibrated to perform just like the OEM correct numbered units. 90 day warranty. See Carburetor Restoration Process information for complete restoration process description.

B1593	64-65	CARBURETOR - Holley, replaces Holley #2818, 350/365hp	495.00
B0644	65	CARBURETOR - Holley, replaces Holley #3124, 396/425hp W/late bowls	495.00
B1595	66-67	CARBURETOR - Holley, replaces Holley #3605, 327 300/350hp - California	495.00
B1597	66	CARBURETOR - Holley, replaces Holley #3606, 427/390hp California	495.00
B0655	67	CARBURETOR - Holley, replaces Holley #3814 327- 300/350hp - California base	495.00
B0657	67	CARBURETOR - Holley, replaces Holley #3815 ..	495.00

Fuel System: Carburetor - Holley 4 Barrel Restored - Service Dated

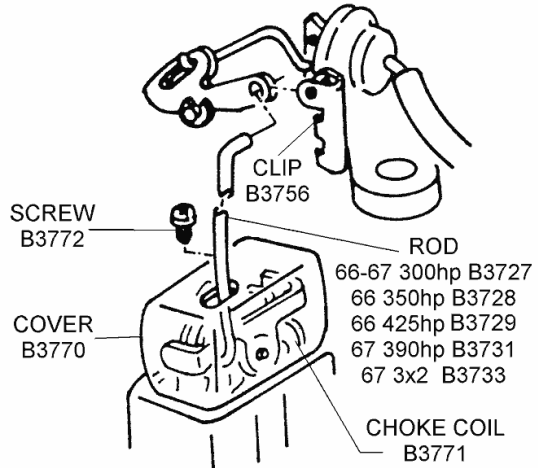


**RESTORED
SERVICE
DATED**

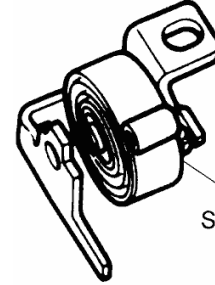
A low cost alternative to new Holley carburetors. Restored to like-new condition. Subject to availability. 1 year warranty.

B1529	64-65	CARBURETOR - #2818, 350/365hp - RESTORED/SERVICE DATED - YEAR WARRANTY	595.00
B1610	65	CARBURETOR - #3124, 396/425hp w/service bowls - RESTORED/SERVICE DATED - YEAR WARRANTY	1,295.00
B1522	66	CARBURETOR - #3367, 300/350hp - RESTORED/SERVICE DATED - YEAR WARRANTY	575.00
B1603	66	CARBURETOR - #3247, 427/425-450hp - RESTORED/SERVICE DATED - YEAR WARRANTY	625.00
B1509	66	CARBURETOR - #3605, 300/350hp, California - RESTORED/SERVICE DATED - YEAR WARRANTY	595.00
B1524	66	CARBURETOR - #3606, 427/350hp, California - RESTORED/SERVICE DATED - YEAR WARRANTY	795.00
B1605	67	CARBURETOR - #3810, 327 300/350hp - RESTORED/SERVICE DATED - YEAR WARRANTY	595.00
B1609	67	CARBURETOR - #3811, 427/390hp - RESTORED/SERVICE DATED - YEAR WARRANTY	575.00
B1607	67	CARBURETOR - #3814, 327 300/350hp - RESTORED/SERVICE DATED - YEAR WARRANTY	595.00
B1606	67	CARBURETOR - #3815, 427/390hp, California - RESTORED/SERVICE DATED - YEAR WARRANTY - SUBJECT TO AVAILABILITY	995.00
B1608	67	CARBURETOR - #3418, 427/430hp, L88 - 855cfm/vacuum secondaries - RESTORED/SERVICE DATED - YEAR WARRANTY	795.00

Fuel System: Carburetor - Holley Divorced Choke Kits & Components

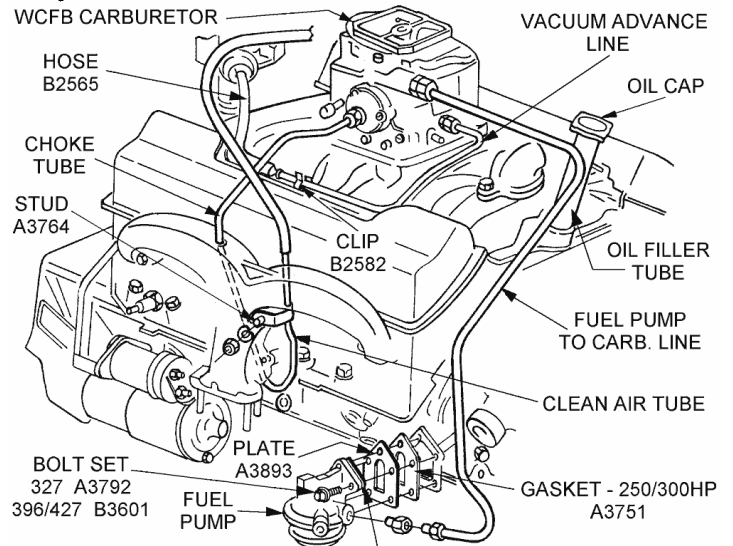


B3762	66-67	CHOKE KIT - incl. choke spring, cover, screw & clip, (w/o choke rod)	26.95
B3756	66-67	CLIP - choke rod	2.65
B3770	66-67	COVER - choke thermostat on intake manifold ..	8.95
B3727	66-67	ROD - choke, 327/300hp	7.00
B3728	66-67	ROD - choke, 327/350hp	7.00
B3729	66	ROD - choke, 427/390hp	7.00
B3730	66	ROD - choke, 427/425hp	7.00
B3731	67	ROD - choke, 427/390hp	7.00
B3733	67	ROD - choke, 3x2, center carburetor 427 400/435hp	7.00
B3772	66-67	SCREW - choke thermostat mounting	1.00



B3771	66-67	SPRING/COIL - choke thermostat, all Holley carburetors, mounts in intake manifold	19.95
-------	-------	---	-------

Fuel System: Carburetor Choke Tubes - 1963-65 AFB HOLLEY WCFB



1963-65 CHOKES & CLEAN AIR TUBES			
B3726	65	CLIP - 396 upper choke tube & clean air tube, 'S' shape	16.95
B3724	65	LOOM - 396, upper choke tube	15.00
A3756	63-65	TUBE - choke, 250hp, CARTER WCFB, 1x4	14.00
A3758	63-65	TUBE - choke, AFB, 63-65 300hp	14.00
B3721	63	TUBE - choke, AFB, chrome, 340hp	15.50
B3761	64-65	TUBE - choke, 350/365hp Holley, chrome	15.00
B3723	65	TUBE - choke, w/loom upper 396	44.00



A3114 63-65 CHOKE TUBE - inside exhaust manifold, all w/o FI, stainless steel10.00

Fuel System: Carburetor Clean Air Tubes



CLEAN AIR TUBE
64-65 w/o FI
B3701



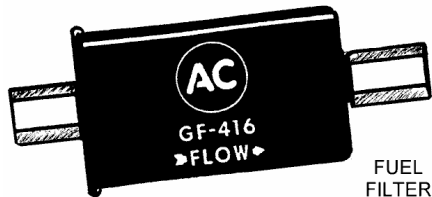
CLEAN AIR TUBE
all 63, 64-65 w/FI
A3762

Clean air tubes mount beneath the exhaust manifold to the top of the engine, near the valve cover.

- B3726 65 CLIP - 396 upper choke tube & clean air tube, 'S' shape16.95
- A3759 63-65 HOSE - clean air tube3.50
- A3764 63-65 STUD - lower clean air tube to exhaust manifold8.00
- A3763 63-65 TUBE - clean air, lower w/bracket, 1963 carbureted engines, all 64/5 w/FI, original steel tubing28.00
- A3762 63-65 TUBE - clean air, lower w/bracket, 1963 carbureted engines, all 64/65 w/FI, stainless steel31.50
- B3701 64-65 TUBE W/BRACKET - clean air, all 327 w/o FI, steel28.00
- B3736 65 TUBE - clean air, lower, 396/425hp,w/bracket40.50

Fuel System: Carburetor Fuel Filters & Brackets

- B3750 63-65 BRACKET & STUD KIT - 63 - 65 special hi-perf. w/FI, (chrome)16.50
- B3749 63-65 BRACKET & STUD KIT - GF90 filter, all 300hp, (plain)12.95
- B2390 63-65 DECAL - fuel filter GF902.95
- A3843 63-67 FUEL FILTER - bronze / 63-5 WCFB behind fuel inlet nut, 66-7 HOLLEY behind fuel inlet nut4.75
- A3771 63-65 FUEL FILTER - 327 hi-perf., GF90 black finish, screened white letters, as original . 39.95



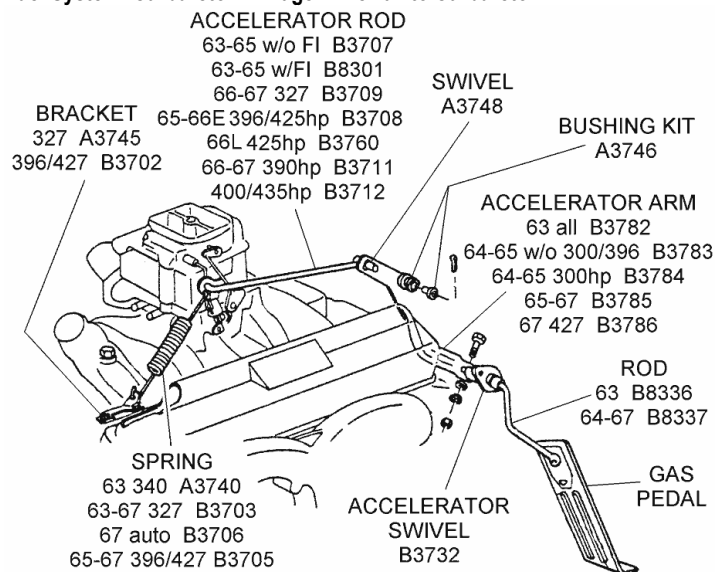
FUEL FILTER

- A3768 63-65 FUEL FILTER - 327 hi-perf., GF90, silver34.95
- B3748 65 FUEL FILTER -396/425hp, GF41653.25
- A3780 63-65 FUEL FILTER/STRAINER - AFB, behind inlet nut1.95
- B0033 63-66 SCREW, FILTER BRACKET CLAMP - GF901.10
- B3751 64-65 STUD, NUT & WASHER - GF90 full filter mounting, includes nut & star washer5.55

Fuel System: Carburetor Fuel Line Clamp Kits

- B3959 63-64 CLAMP KIT - AFB or FI fuel system9.50
- B3963 65 CLAMP KIT - AFB or FI fuel system4.85
- B3965 65 CLAMP KIT - Holley fuel system6.85
- B3966 66-67 CLAMP KIT - Holley fuel system, exc. 3x27.60
- B3967 67 CLAMP KIT - Holley 3x2 fuel system12.80

Fuel System: Carburetor Linkage - Firewall to Carburetor



- ACCELERATOR ROD
63-65 w/o FI B3707
63-65 w/FI B8301
66-67 327 B3709
- BRACKET 65-66E 396/425hp B3708
327 A3745
396/427 B3702
66L 425hp B3760
66-67 390hp B3711
400/435hp B3712
- SWIVEL A3748
- BUSHING KIT A3746
- ACCELERATOR ARM
63 all B3782
64-65 w/o 300/396 B3783
64-65 300hp B3784
65-67 B3785
67 427 B3786
- ROD
63 B8336
64-67 B8337
- GAS PEDAL
- ACCELERATOR SWIVEL B3732
- SPRING
63 340 A3740
63-67 327 B3703
67 auto B3706
65-67 396/427 B3705

- K3301 67 BOLT/PIN - linkage pivot point center carb ...9.95
- A3641 63-67 BOLT & NUT KIT - accelerator lever, 'TR' headmark4.55
- B3765 63-67 BOLT & WASHER KIT - accelerator swivel2.45
- B3755 64-67 BOLT - ground strap to accelerator lever, 'RBW' headmark1.00
- A3745 63-67 BRACKET - accelerator rod/return spring, all 32710.00
- B3702 65-67 BRACKET - accelerator return spring, big block, (all except automatic transmission) . 10.00
- B2908 64-67 BRACKET - inter splash shield/gas pedal and plate mount, LH10.05
- A3746 67 BUSHING & INSERT KIT - accelerator rod3.80
- B3737 67 BUSHING KIT - tri power linkage, 1 large & 2 small bushings/used at center pivot8.95
- B3763 63-67 BUSHING SET - accelerator rod pivot, at firewall, (pr)3.10
- B1542 63-67 CLIP - secondary diaphragm to secondary shaft 0.50
- K3303 67 CONNECTOR - Tri Power linkage, screws on to linkage rods (1 required per rod/2 required per linkage kit) (ea)5.65
- A3747 63-67 INSTALLATION KIT - accelerator rod, (2 grommets, 2 sleeves, 1 swivel)13.80
- B3782 63 LEVER - accelerator, all30.00
- B3784 64-65 LEVER - accelerator, 300hp35.00
- B3783 64-65 LEVER - accelerator, except 300hp & 396/425hp30.00
- B3785 65 LEVER - accelerator, 396/425hp35.00
- B3786 67 LEVER - accelerator, all 427 except 400 w/automatic trans40.50
- B3716 67 LINKAGE KIT - tri-power 3x2 carburetor47.10
- B4027 67 NUT - bolt/pin locking 3x2 linkage pivot at center carb1.45
- B8336 63 ROD - accelerator pedal swivel, (pedal to swivel, under dash)32.90
- B8337 64-67 ROD - accelerator pedal swivel, (pedal to swivel, under dash)32.90
- B3707 63-65 ROD - accelerator, w/o FI or 39615.00
- B3709 66-67 ROD - accelerator, w/32717.25
- B3708 65-66E ROD - accelerator, 396/425hp, (thru 12/31/65)29.00
- B3711 66-67 ROD - accelerator, 427/390hp (66 all, 67 w/manual trans.)27.25
- B3746 67 ROD - accelerator, 400hp, w/automatic trans, (gold colored finish)42.50
- B3760 66L ROD - accelerator, 427/425hp, (after 1/1/66)29.00
- B3712 67 ROD - accelerator, 400/435hp, w/manual trans., (gold colored finish)25.90
- B0550 67 ROD - accelerator, 427/390HP w/automatic trans.31.25
- B8335 63 SEAL (sponge) - accelerator firewall bracket . 4.00
- B4093 67 SPACER - accelerator arm, 3 x 2 holley carbs / plastic - white1.00
- A3740 63 SPRING - accelerator return, 340hp, white ...10.25
- B3703 63-67 SPRING - 327 accelerator return spring, black, except 1963, 340hp & FI6.00
- B3705 65-67 SPRING - 396/427 accelerator return w/o automatic transmission5.65
- B3706 67 SPRING SET - 327 automatic transmission, accelerator return, (pr)13.50

CHICAGO CORVETTE

We're your 1-Stop-Shop for 1953-82 Corvette parts and accessories!

B3715 63-66	SWIVEL - accelerator rod, on linkage, w/cotter keys	6.20
B3732 63-67	SWIVEL/ACCELERATOR & SUPPORT ASSEMBLY - on firewall	28.95

Fuel System: Carburetor Rebuild Kits - Standard & Special



Carburetor Super Kits include superior quality Standard Kit components plus additional items not found in traditional kits (including secondary diaphragm, jets, choke pull off, fuel mixture screws, accelerator pump cam and more.)

A3720 63-65	CARBURETOR KIT - CARTER AFB 4 barrel carburetors number: 3460S, 3461S, 3720SA, 3720SB, 3721SA, 3721SB	31.95
A3948 63-65	CARBURETOR KIT - CARTER WCFB 4 Barrel carburetors number 3500S, 3501S, 3697S	32.95
B1565 64-66	CARBURETOR KIT - Holley #2818, 2818-1 327-350/365HP, #3124, 396/425hp; #3247, 427/425hp	36.95
B1566 66	CARBURETOR KIT - Holley #'s 3367, 3605 (Calif.) 300/350hp & #3370, 3606 (Calif.) 427/390hp	24.25
B1570 67	CARBURETOR KIT - Holley #'s 3810, 3814 (Calif.), 300/350hp & #3811, 3815 (Calif.), 427/390hp	32.95
B1575 67	CARBURETOR KIT - Holley #3418, 427 L88	35.75
B0679 67	CARBURETOR KIT - Holley #3659, 3x2 End only w/secondary diaphragm [diaphragms are not included in any kits from other source]	34.95
B0680 67	CARBURETOR KIT - Holley #3660 & 3888 3x2 Centers only	31.95
B1572 67	CARBURETOR KIT - Holley Tri-power carburetors / traditional style kit - all Holley #'s 3659/3660/3888 - does not include secondary diaphragms, filters or other related special parts in kits B0679 or B0680	29.95
A3707 63-65	CARBURETOR SUPER KIT - AFBs #3460S, 3461S & 3721SA OR SB	69.95
B3710 64-65	CARBURETOR SUPER KIT - AFB #3720SA OR SB	62.95
A3727 63-65	CARBURETOR SUPER KIT - WCFB 1x4	69.95
B1547 64-65	CARBURETOR SUPER KIT - Holley #2818	62.95
B1548 65	CARBURETOR SUPER KIT - Holley #3124	62.95
B1553 66	CARBURETOR SUPER KIT - Holley #3247	74.95
B1549 66	CARBURETOR SUPER KIT - Holley# 3367, 3370 & 3606	62.95
B1551 66	CARBURETOR SUPER KIT - Holley #3605	62.95
B1556 67	CARBURETOR SUPER KIT - Holley #3418	84.95
B1559 67	CARBURETOR SUPER KIT - Holley #3810	62.95
B1552 67	CARBURETOR SUPER KIT - Holley #3811	62.95
B1554 67	CARBURETOR SUPER KIT - Holley #3814	62.95
B1555 67	CARBURETOR SUPER KIT - Holley #3815	62.95
B3720 67	CARBURETOR SUPER KIT - Holley 3x2, 3 carb set AT w/#3660 & 2 #3659'S	99.95
B4042 67	CARBURETOR SUPER KIT - Holley 3x2, 3 carb set AT w/#3888 & 2 #3659'S	99.95
A3955 63-67	STAND KIT - carburetor, elevates carb. 2' to facilitate servicing it, throttle shafts easily open, (4 pc.)	5.95

Fuel System: Carburetor Restoration, Rebuilding & Special Services

A3992 63-65	COLORING - WCFB main body & choke base	70.00
A3993 63-65	COLORING - WCFB or AFB choke base	25.00

Do you want to restore your carburetor and have it look like new? Send us your cleaned, disassembled die-cast parts and we will acid dip and re-color them with chromic acid. This will give your parts that golden-green color, just as they were from the factory. **NOTE:** Holley Moraine bowls are prone to leaking and coloring does not seal them.

B4190 64-67	COLORING - Holley 4 barrel, main body, metering block(s), plate, bowls, vacuum secondary housings	95.00
B4191 67	COLORING - Holley 2 barrel tri-power	70.00
B0658 67	REBUILD SERVICE - 2 Barrel - Holley, 90 day warranty	139.95
B1513 63-67	REBUILD SERVICE - 4 Barrel - Holley/Carter/AFB or WCFB	229.95
A1500 63-65	RESTORATION SERVICE - 4 barrel Carter WCFB/AFB	359.95
B1502 64-67	RESTORATION SERVICE - 4 barrel Holley	359.95
B1501 67	RESTORATION SERVICE - 2 barrel Holley 3x2, (ea)	295.00

NOTE: If you buy a Tri-power carburetor from us, the restoration price on B1501 is \$185 each. Sets of 3 customer units are also restored at \$185 per unit.

THE CARBURETOR RESTORATION PROCESS

To ensure you get the best possible carburetor restoration, the process includes:

1. Disassembly
2. Cleaning of all parts & review for surface warpage and damage. All machine work is performed. Damaged parts are replaced (at additional cost).
3. All pot metal parts / main bodies / bowls & choke bases dipped in caustic soda for cleaning then re-colored in a chromic acid solution - produces yellow / golden-green color and seals metal, prohibiting oxidation (chalking).
4. All aluminum parts treated to bring back original color.
5. All steel plates are re-plated with a silver, yellow, or copper finish as appropriate.
6. Choke cover is restored (if applicable).
7. Carburetor base plate restored / bushed as appropriate.
8. Carburetor is assembled using the best rebuilding components available.
9. Carburetor is run tested on an engine to ensure drivability and reduce defects (in most cases).
10. Carburetor is guaranteed for 1 year. Looks as good as, or better than new!

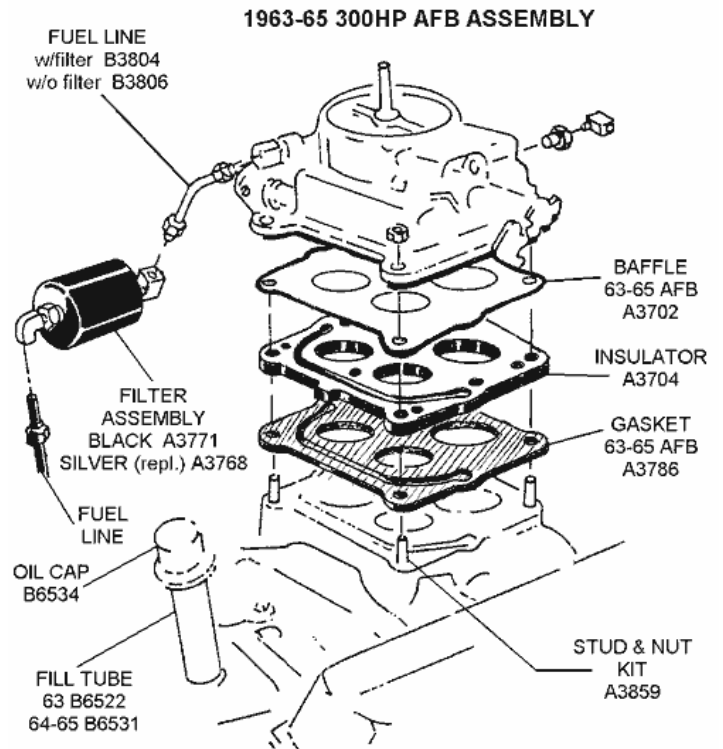
3 - 4 weeks lead time.

See our website at www.ChicagoCorvette.net for more details.

B1592 64-67	RESTORATION SERVICE - Survivor, Holley	359.95
B1591 67	RESTORATION SERVICE - Survivor, Tri-power set	625.00

JUST THE FACTS: Survivor restoration is done using the same care as our normal restoration. After that is completed we "Age" the carburetor.

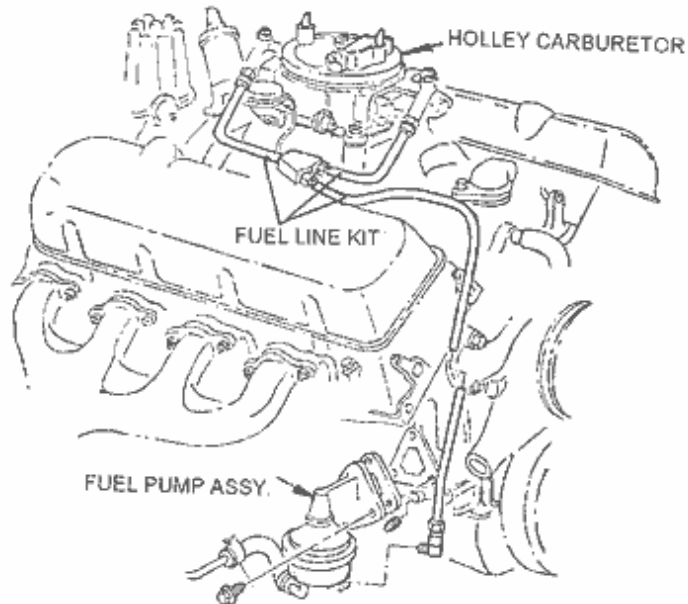
Fuel System: Carburetor to Intake Gaskets, Mounting Hardware, Spacers & Baffles



A3702 63-65	BAFFLE PLATE - Carter AFB, 300hp, (stainless steel, must be used on all AFB installations)	8.95
B1587 66-67	BAFFLE PLATE - Holley 300 OR 390hp / used in conjunction with cast iron manifold, (stainless steel)	17.30
A3788 63	GASKET - carburetor to aluminum intake, 340hp, AFB	8.95
A3784 63-65	GASKET - carburetor to intake, 327/250hp, w/WCFB	4.95
A3786 63-65	GASKET - carburetor to cast iron intake, 327/300hp, AFB	7.25
B1563 64-67	GASKET - Holley carburetors '327', 350-365HP w/aluminum intake	7.00
B1588 66-67	GASKET - carb to cast iron intake, Holley on 327 or 427 engine	5.75
B0605 65-67	GASKET - carburetor to aluminum intake, Holley list numbers 3124, 3247 or 3418	7.50

B0606	67	GASKET SET - 3x2 carburetors to intake, (3 pc.)9.00
B0162	67	GASKET SET - air cleaner to, 3x2, (3 pc.)8.00
A3704	63-65	INSULATOR / SPACER PLATE - AFB carburetor, w/300hp, must be used on all AFB installations29.15
A3859	63-65	STUD & NUT KIT - 327/300hp AFB carburetor to intake, (hollow stud not incl.)6.00
B1558	63-67	STUD & NUT KIT - carburetor to intake mounting, all exc. 63-65 300hp (hollow stud) or 67 3x29.60
B3734	67	STUD & NUT KIT - 3x2 carburetor mounting, (22 pc.)20.90

Fuel System: Fuel Lines - Pump to Carburetor - Regular



Gas lines are steel tubing with double inverted flares and steel nuts, same as OEM. All are pre-bent into exact shape as originals. Some styles are chrome plated as indicated.

B3815	65	'Y' BLOCK - fuel, 396/425hp, w/logo, zinc plated61.65
B3821	66	'Y' BLOCK - fuel, 427/425hp, zinc plated25.00
B3802	63-65	LINE KIT - fuel, 250hp w/fitting22.95
B3804	63-65	LINE KIT - fuel, 300hp, 2 lines, 4 fittings & black (correct) GF90 filter89.10
NOTE: on B3804, 07, 09, & 11, if you want a silver GF90, order a line kit without filter with part number A3768.		
B3806	63-65	LINE KIT - fuel, 300hp, 2 lines, 4 fittings, w/o filter28.70
B3807	63	LINE KIT - fuel, 340hp, 2 chrome lines, 4 chrome fittings & black (correct) GF90 filter 91.35
B3808	63	LINE KIT - fuel, 340hp, 2 chrome lines, 4 chrome fittings, w/o filter44.85
B3811	63-65	LINE KIT - fuel, FI, chrome, w/ 4 chrome fittings & black (correct) GF90 filter93.45
B3812	63-65	LINE KIT - fuel, FI, chrome, w/ 4 chrome fittings, w/o filter33.85
B3809	64-65	LINE KIT - fuel, 350/365hp chrome, 3 chrome fittings, rubber line & 2 flat clamps w/GF90 filter104.95
B3810	64-65	LINE KIT - fuel, 350/365hp chrome, 3 chrome fittings, rubber line & 2 flat clamps w/o filter41.15
B3813	65	LINE KIT - fuel, 396/425hp, 3 pc. kit w/special fuel block (w/o filter)90.00
B3814	65	LINE KIT - fuel, 396/425hp, 3 pc. kit w/o special fuel block (w/o filter)45.00
B3816	66	LINE KIT - fuel, 300hp, chrome w/chrome fitting41.00
B3817	66	LINE KIT - fuel, 350hp, chrome w/chrome fitting41.00
B3818	66	LINE KIT - fuel, 390hp, chrome w/90 degree elbow fitting34.85
B3820	66	LINE KIT - fuel, 425hp, 3 pc. w/o block49.95
B3819	66	LINE KIT - fuel, 425hp, 3 pc. w/special 'Y' block69.00
B3822	67	LINE KIT - fuel, 300hp27.50
B3823	67	LINE KIT - fuel, 350hp25.70
B3824	67	LINE KIT - fuel, 390hp25.20
B3787	67	LINE KIT - fuel, 400/435, 3x2, w/o blocks36.95
B3825	67	LINE KIT - fuel, 400/435hp, 5 lines, 2 block68.95
B3826	67	LINE KIT - fuel, L88, 3 lines w/ 'Y' block59.95
B3827	67	LINE KIT - fuel, L88, 3 lines w/o 'Y' block51.95

Fuel System: Fuel Lines - Pump to Carburetor - Stainless Steel

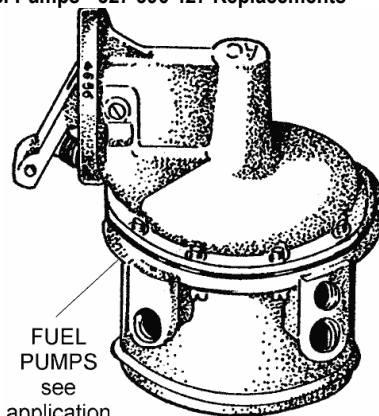
Stainless steel tubing with double inverted flares and steel nuts, as OEM. All are pre-bent into exact shape as originals.

B3879	67	'Y' BLOCK - fuel lines, pump to carb, 400/435hp, (2 req.) (ea)8.50
B3815	65	'Y' BLOCK - fuel, 396/425hp, w/logo, zinc plated61.65
B3821	66	'Y' BLOCK - fuel, 427/425hp, zinc plated25.00
B3858	63-67	CLIP SET - fuel line to frame, (5 pc.)3.40
B3624	63-67	ELBOW - fuel pump inlet12.00
A3751	63-67	GASKET - fuel pump plate to block2.95
B3828	63-65	LINE KIT - fuel, 250hp w/fitting25.25
B3829	63-65	LINE KIT - fuel, 300hp, 2 lines, 4 fittings & black (correct) GF90 filter96.60
B3830	63-65	LINE KIT - fuel, 300hp, 2 lines, 4 fittings w/o filter33.35
B3831	63	LINE KIT - fuel, 340hp, 2 chrome lines, 4 chrome fittings & black (correct) GF90 filter101.85
B3832	63	LINE KIT - fuel, 340hp, 2 chrome lines, 4 chrome, fittings, w/o filter38.50
B3837	65	LINE KIT - fuel, 396/425hp, 3 pc. kit w/special fuel block94.35
B3838	65	LINE KIT - fuel, 396/425hp, 3 pc. kit, w/o block50.00
B3840	66	LINE KIT - fuel, 300hp, w/chrome fitting37.12
B3841	66	LINE KIT - fuel, 350hp, w/chrome fitting32.00
B3842	66	LINE KIT - fuel, 390hp, chrome w/90 degree elbow fitting32.00
B3843	66	LINE KIT - fuel, 425hp, 3 pc. w/special 'Y' block63.25
B3844	66	LINE KIT - fuel, 425hp, 3 pc. w/o 'Y' block39.95
B3846	67	LINE KIT - fuel, 300hp29.40
B3847	67	LINE KIT - fuel, 350hp29.40
B3848	67	LINE KIT - fuel, 390hp32.00
B3849	67	LINE KIT - fuel, 400/435hp, 5 lines, 2 blocks66.95
B3787	67	LINE KIT - fuel, 400/435hp, 5 lines, w/o fuel blocks36.95
B3850	67	LINE KIT - fuel, L88, 3 lines, w/special 'Y' block58.00
B0188	63-64	STUD - w/nut & washer, fuel filter attaching9.00

Fuel System: Fuel Pump Accessories

A3884	63-67	BOLT SET - fuel pump mount plate, (pr)3.50
A3792	63-66	BOLT SET - fuel pump to block, 327, 2 bolts & 2 lock washers, w/'RSC' hm2.95
B0552	67	BOLT SET - fuel pump to block, 327, (pr)5.50
B3601	65-67	BOLT SET - fuel pump to block, 396/427, (2 pc.)4.55
B3624	63-67	ELBOW - fuel pump inlet 327 340/375hp12.00
B3628	63-65	FITTING - adapts B3626 to fuel pump8.75
A3751	63-67	GASKET - fuel pump plate to block2.95
A3785	63-67	GASKET - fuel pump to plate2.95
B0551	64-66	HOSE - fitting and clamps, fuel pump inlet, 340/375hp5.60
B3626	63-65	PIPE - inlet between long line & pump 63 & 64-65 w/o FI15.00
A3893	63-67	PLATE - fuel pump mount10.90
A3631	63-67	PUSH ROD - fuel pump, in block, all14.10
A3894	63-66	REBUILD KIT - fuel pump #465739.95
B3637	64-66	REBUILD KIT - fuel pump, 300-375hp, AC #40083, 1964-65 Hi-perf only, 66 all 32749.95

Fuel System: Fuel Pumps - 327 396 427 Replacements



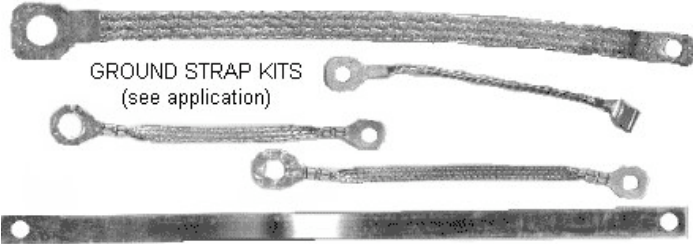
B3602	63-66	PUMP - fuel, 63 all, 64-66 250/300hp69.95
B3606	64-66	PUMP - fuel, 327/375hp94.50
B3635	65-66	PUMP - fuel, 396/42746.50
B3614	67	PUMP - fuel, 32729.25
B3622	67	PUMP - fuel, 42736.20

Fuel System: Fuel Pumps - 327 396 427 Restored Originals w/Correct AC

Logo & Part Number

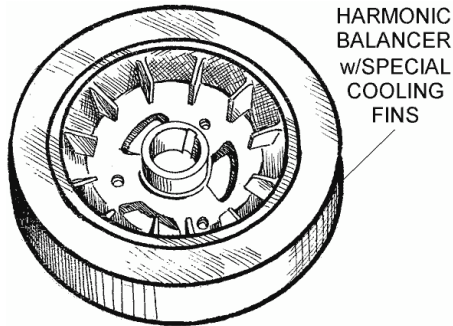
B3613	63-66	FUEL PUMP - 327 exc. 64-65 hi-perf., AC #4657	130.20
B3625	64-66	FUEL PUMP - 327 1964-65 hi-perf., 66 all, AC #40083	219.95
B3623	67	FUEL PUMP - 327 AC #40433	178.95
B3619	65E	FUEL PUMP - 396, AC #40248, restored under fuel inlet (thru May 1965)	220.00
B3631	66E-66L	FUEL PUMP - 427, AC #40366, round inlet, restored (June 1965 - January 1966)	165.00
B3605	66L	FUEL PUMP - 427, AC #40366, square inlet, restored (February - July 1966)	149.95
B3603	67	FUEL PUMP - 427, AC #40482, w/AC cast on top, restored	145.00
A3511	63-65	REGULATOR - fuel pressure	47.35

Ground Strap Kit - All With Radios



B7102	63	GROUND STRAP KIT - radio, w/o side exhaust ..	34.00
B7106	64-66	GROUND STRAP KIT - radio, w/o side exhaust ..	27.95
B7110	67	GROUND STRAP KIT - radio, w/o side exhaust ..	27.95
B7104	63-66	GROUND STRAP KIT - radio, w/side exhaust ...	27.95
B7111	67	GROUND STRAP KIT - radio, w/side exhaust ...	26.90

Harmonic Balancer - Crank Shaft



A2803	63-67	BOLT SET - harmonic balancer mounting, 327 w/sp hi-perf. (or crank w/threaded end) (3 pc.)	11.65
B2807	65-67	BOLT SET - harmonic balancer mounting, 396/427, (3 pc.)	10.85
A2880	63-65	HARMONIC BALANCER - w/o hi-perf	195.00
B2805	65-67	BOLT SET - harmonic balancer, mounting, 396/427, 'TR' hm, (3 pc.)	6.00
A2824	63-65	HARMONIC BALANCER - 327, 250/300HP except F.I. & spec. hi-perf	157.50
B2817	66-67	HARMONIC BALANCER - 327, 300hp, except spec. hi-perf (425/435hp)	168.65
A2827	63-67	HARMONIC BALANCER - finned, 327 w/F.I. & spec. hi-perf., all 340/375 hp	335.00
A2825	63-67	HARMONIC BALANCER - 327 w/F.I. & spec. hi-perf., (GM repl.)	171.25
B2819	65-67	HARMONIC BALANCER - 396/427 w/spec. hi-perf ..	216.40
B2818	66-67	HARMONIC BALANCER - 427, w/o spec. hi-perf (425/435hp)	187.75
A3808	63-67	PULLER - harmonic balancer, heavy duty	39.95

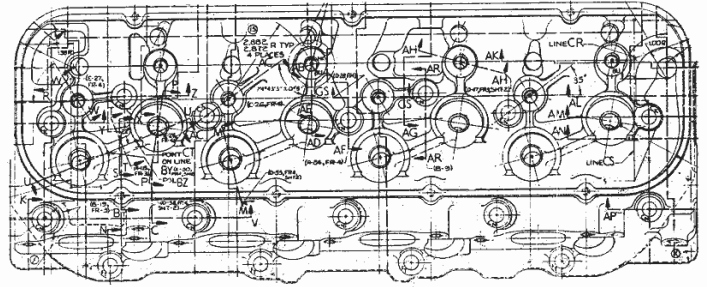
Heads & Components

Heads & Components: 327 Engines

B2821	63	HEAD - 300/360hp, #3782461X	CALL
B2822	64-66	HEAD - 300/365 hp, #3782461	CALL
B2750	63-64	HEAD - 327/250hp, #3795896	CALL
B2823	67	HEAD - all 327, #3890462	CALL
A2885	63-67	HEAD BOLT SET- does 2 heads **specify exact year needed**	65.00

Heads & Components: 396 & 427 Engines

B2890	65-67	BOLT - cylinder head, long, 'M' headmark, (12 req.) (ea)	8.60
-------	-------	--	------



B2892	65-67	BOLT - cylinder head, short, 'M' headmark, (12 req.) (ea)	8.60
B2895	65-67	BOLT KIT - cylinder head, 'M' headmark, (32 pc.)	78.45
B2824	65	HEAD - 396/425hp, #3856208	CALL
B2827	67	HEAD - 427/390hp (thru Jan. '67), #3904390 ..	CALL
B2828	67	HEAD - 427/390hp (Jan thru May '67), #3909802	CALL
B2829	67	HEAD - 427/390hp (May-July '67), #3917215 ..	CALL
B2825	66	HEAD - 427/390hp, #3872702	CALL
B2826	66	HEAD - 427/425hp, #3873858	CALL
B2830	67	HEAD - 427/435hp (thru May '67), #3904391 ..	CALL
B2831	67	HEAD - 427/435hp (May-July '67), #3919840 ..	CALL
B2832	67	HEAD - 427/L88, #3904392	CALL

Ignition System - Distributor, Ignition Wires, Coils, Spark Plugs & Ignition Shielding

Ignition Coils, Ballast Resistors & Related

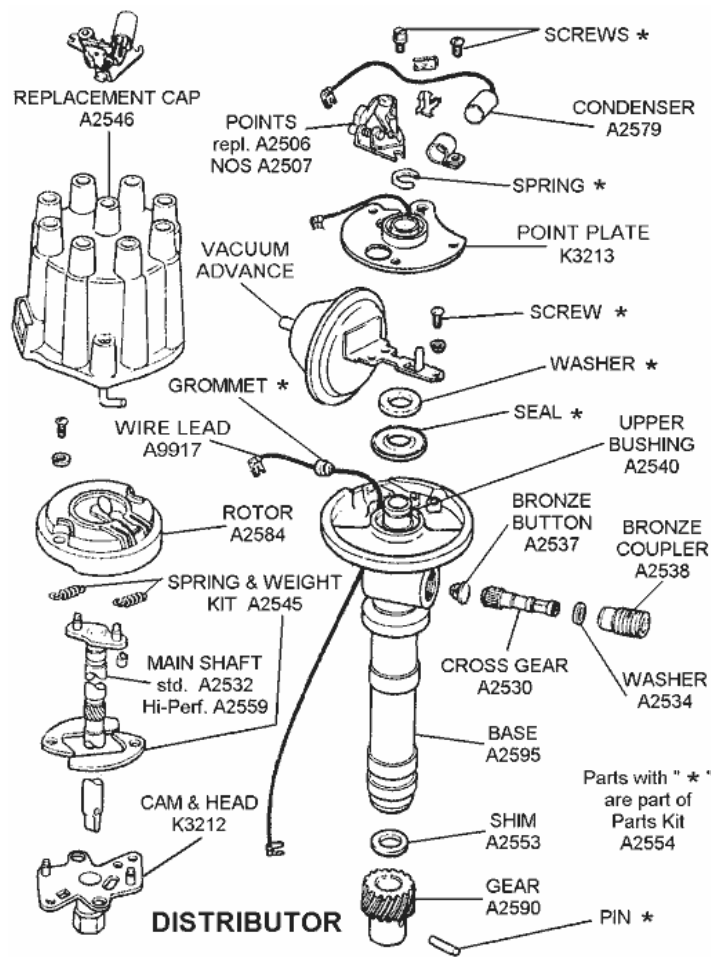
All standard coils are original Delco coils, restored to show quality with correct embossed numbers installed. All TI units (except as noted) are new TI coils, re-cased in original Delco housing and restored to show quality with correct embossed numbers.

A8608	63-64	BALLAST RESISTOR - w/ hi-perf, D1111 / Black Dot	27.25
B8609	63-64	BALLAST RESISTOR - w/o hi-perf. & TI coil, 63-64 250-300hp, 66-67 all exc. TI, D1110 / Blue Stripe	27.25
B2541	65-67	BOLT - coil bracket to intake, w/external tooth captured lock washer, 'Anchor' HM, 396/427, (2 req.) (ea)	2.25
B5441	65-67	BOLT SET - coil bracket mounting, 'E' headmark, (pr)	6.25
B5482	65-67	BRACKET - coil mounting, w/o 3x2	17.95
B5453	67	BRACKET - coil mounting, w/3x2	22.40
B2894	63-67	CAPACITOR - on coil, w/bracket, 327 (orange wire)	11.95
B7150	65-67	CAPACITOR - on coil bracket, 427/390hp, w/o TI, (after 3/67)	29.35
A2491	63-64	COIL - standard ignition, early 63, 64 365/375hp, #1115091 / MADE IN USA	160.00
A2572	63-64	COIL - standard ignition, early 63, 64 365/375hp, #1115091 / IMPORTED	89.95
B2583	63L-64	COIL - standard ignition, late 63, 64 250/300hp, #1115087	89.95
B2589	65-67	COIL - 327 w/o TI, #1115202	89.95
B2593	66	COIL - 427/390hp standard ignition, #1115232	89.95
B2594	66	COIL - 427/390hp standard ignition, #1115262	89.95
B2598	67	COIL - 427/390hp standard ignition, #1115264	89.95
A2508	63-67	COIL - standard ignition, 12 volt, all except TI, correct size & height. replacement 28.00	
B2493	63-67	COIL - Pertronix hi output	39.95
B2587	64E	COIL - TI, #1115196	225.60
B2588	64L	COIL - TI, #1115176	145.95
B2590	65E	COIL - TI, 327/350-375hp, #1115203	145.95
B2591	65-67	COIL - TI, 327/350-375hp, #1115207	145.95
B2592	65-66	COIL - TI, 1965 396/425hp & late '66 427/390hp MT, #1115210	145.95
B2597	66	COIL - TI, 427/390hp, 427/425hp, #1115231 ..	145.95
B2595	66	COIL - TI, 427/390hp, 427/425hp #1115261 ..	145.95
B2599	67	COIL - TI, 427/390-400-430-435hp, #1115263 ..	145.95
B8620	63-67	SCREW - coil resistor to firewall	1.45

Ignition Distributor - 1963-65 Fuel Injection

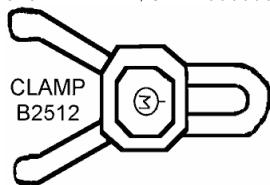
A2549	63-65	BRACKET - condenser	1.50
A3705	63-65	CABLE & HOUSING ASSEMBLY - FI drive, distributor to pump, w/knurl nut, NOS	83.25
A3952	63-65	CABLE - high pressure pump (6 1/8' long), inserts into housing	44.95
A3951	63-65	CABLE - high pressure pump (6 3/4' long), inserts into housing	44.95
A1450	63-65	CABLE - tachometer, w/FI, w/square drive ..	75.00

K3212	63-67	CAM & HEAD - distributor shaft (point opening cam w/centrifical weight support plate)	32.95
B2534	63-65	CAP - distributor, w/fuel injection, repl. .	29.95
B2535	63-65	CAP - distributor, w/fuel injection, w/correct ' Delco Remy Patent Pending ' logo w/o 'R', Delco #D310	129.95
B2512	63-65	CLAMP & BOLT - distributor hold-down	10.35
A6893	63-65	CLAMP - top half distributor to bottom coupler, w/fastener	60.00
A2579	63-65	CONDENSER - distributor	4.65
A2568	63-65	CONDENSER - distributor, NOS Delco #1932004 w/logo	8.95
A6892	63-65	COUPLER/FITTING - distributor pump drive cable	85.00
A6890	63-65	CROSS SHAFT - distributor, w/o gear	239.00
A8328	63-65	FEELER GAUGE - to set point gap	2.95
A3453	63-65	FITTING - distributor tachometer drive coupler	25.00
A3454	63-65	GASKET & SEAL KIT - FI distributor	38.65
A2547	63-65	GASKET - distributor to intake	2.95
A3921	63-65	GASKET KIT - fuel injection distributor, 5pc. .	8.45
A2590	63-65	GEAR - lower distributor drive	19.95
A2518	63-65	ID PLATE - FI distributor with part number and production date	94.85
A9917	63-65	LEAD WIRE - distributor to coil	9.00
A6528	63-65	LINE KIT - oil pressure, FI distributor, steel, (5 pc.) use w/A6528	24.00
A2551	63-65	LUBRICATOR KIT - point opening cam, (retainer w/wick)	10.35
K3213	63-65	PLATE - distributor, that single point sets & condenser mount to	24.95
A2509	63-65	POINTS - distributor, NOS, Delco D106, w/logo	14.95
A2533	63-65	POINTS & CONDENSER KIT - NOS Delco, part our part numbers A2509 & A2568	19.95
A2499	63-67	ROTOR - D409, equivalent, heavy plastic	6.95
A2584	63-65	ROTOR - distributor	6.00
A2589	63-67	ROTOR - distributor, NOS, heavy black bakelite, original Delco, D409	13.95
A3417	63-65	SHAFT - distributor main	195.00
A2553	63-65	SHIM PACK - between housing & bottom gear, (4 pc.)	5.60
A3923	63-65	SPACER & GASKET KIT - between distributor and intake	57.00
A2545	63-65	SPRING & WEIGHT KIT - (2 of each)	14.95
B2509	63	VACUUM ADVANCE - distributor, GM #1116201 ..	41.00
B2511	64-65	VACUUM ADVANCE - distributor, GM #1116236 ..	41.40

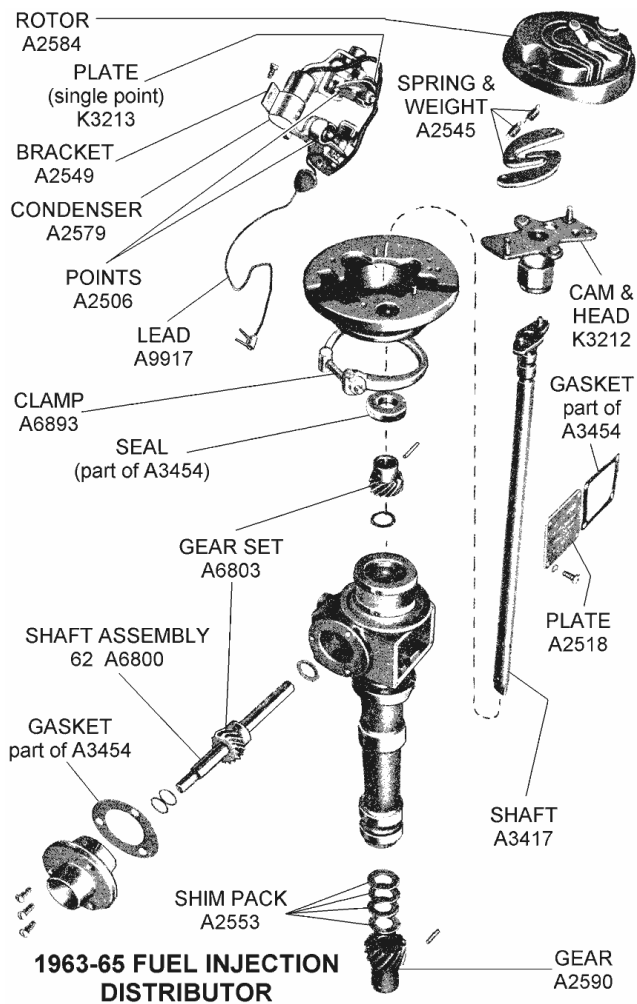


Ignition Distributor - Tach Drive & Related

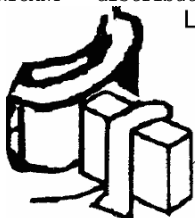
A2474	63-67	ADAPTER - distributor for tachometer cable, eliminates kinks in cable	69.95
A2549	63-67	BRACKET - condenser	1.50
A2541	63-67	BUSHING - distributor main shaft, lower	10.40
A2540	63-67	BUSHING - distributor main shaft, upper, w/special notch	15.75
A2410	63-67	BUTTON - cross gear, nylon	2.50
A2537	63-67	BUTTON - cross gear/bronze (not used on early tach drive distributors w/o housing hole)	5.00
K3212	63-67	CAM & HEAD - distributor shaft (point opening cam w/centrifical weight support plate)	32.95
A2478	63-67	CAP & ROTOR KIT - w/o FI	17.75



B2512	63-67	CLAMP & BOLT - distributor hold-down	10.35
A2579	63-67	CONDENSER - distributor	4.65
A2568	63-67	CONDENSER - distributor, NOS Delco #1932004 w/logo	8.95
A2512	63-67	CONDENSER, ROTOR & POINT KIT - (generic) ..	13.95
A2538	63-67	COUPLER - tach drive distributor cross gear, bronze	19.95
A2530	63-67	CROSS GEAR - tach drive distributor	29.95
A2565	63-67	CROSS GEAR & COUPLER KIT - includes OEM design cross gear, coupler, thrust washer & bronze button, (4 pc.)	52.95
A2445	63-67	DISTRIBUTOR CAP - w/correct 'DELCO REMY PATENT PENDING' logo/as original / all except 1963-65 w/fuel injection	63.95
A2546	63-67	DISTRIBUTOR CAP - generic, replacement	13.00
A2525	63-67	DISTRIBUTOR CAP - heavy duty, NOS Delco, red color	39.95
B2603	63-67	DISTRIBUTOR - tach drive, electronic ignition, Hi-Perf with single wire lead / w/cap and rotor	399.95



B2581 63-67	DISTRIBUTOR - HEI w/tach drive	349.95
A2562 63-67	DISTRIBUTOR - tach drive, 327 250/300hp, reconditioned w/o exchange	279.95
B2507 63-67	DISTRIBUTOR - tach drive, 327 hi-perf., reconditioned w/o exchange	279.95
A2522 63-67	DISTRIBUTOR - tach drive, 327 standard, w/new cap & rotor	379.95
B2579 63-67	DISTRIBUTOR - tach drive, 327 HI-PERF w/new cap & rotor	359.95
B2504 64-67	DISTRIBUTOR - tach drive, 327 396 427 transistorized ignition, hi-perf w/cap & rotor,	695.00
B2523 65-67	DISTRIBUTOR - tach drive, 396/427, w/transistorized ignition, w/special oil galley notch as original, restored (w/o exchange)	1,095.00
B2537 66-67	DISTRIBUTOR - tach drive, 427/390hp w/o transistorized ignition, w/special lower oil gallery notch as original, restored	895.00
B2520 66-67	DISTRIBUTOR - tach drive, 427, w/o special lower oil galley notch reconditioned w/o TI, replacement	299.95
A2446 63-67	DISTRIBUTOR - tach drive, new w/Pertronix Ignitor II ignition system 327/396/427	519.00
A6613 63-67	DISTRIBUTOR REBUILD KIT / HI-PERF - tach drive: includes main shaft, cross gear, coupler, thrust washer, cross gear button & small parts kit	109.95
A6612 63-67	DISTRIBUTOR REBUILD KIT / STANDARD - tach drive: includes main shaft, cross gear, coupler, thrust washer, cross gear button & small parts kit	109.95
A2526 63-67	DISTRIBUTOR REBUILDING SERVICE 'STANDARD' - your tach drive distributor, includes new main shaft, cross gear, coupler & bushings as required w/new points & condenser, tested, (exchange)	139.95
A2496 63-67	DISTRIBUTOR REBUILDING SERVICE 'SUPER' - your tach drive distributor: includes services under A2526 cap & rotor, rebuilt point plate, drive gear, cam head & weights	200.00
B2554 64-67	DISTRIBUTOR RESTORATION - transistorized w/replacement of upper and lower bearings, new gear seals, cross gear and coupler, (as required)	149.95
A0992 63-67	ELECTRONIC IGNITION CONVERSION SYSTEM Say goodbye to Point-Type Ignition... Without replacing distributor, modifying harness or compromising appearance! The BreakLess SE ignition kit is designed to convert 1963-67 GM V8 distributors, originally equipped with breaker points and window-style distributor caps (single or dual point), to solid-state electronic ignition. Unlike competitive systems, this is a single wire system. No additional wires protrude from the distributor, only the single, original point wire. The result is a state-of-the-art ignition with a totally stock look. Includes step by step instructions. 3 year warranty. Made in USA. * Single wire operation. * No Chance of mis-wiring your distributor and damaging the module. * Auto shut off feature. * Hall Effect rotary-vane sensor * Over voltage protected * Operates down to 6 volts for cold weather starting. * Can be installed with distributor remaining in car. * Maintenance Free * Legal for use on emission controlled vehicles. *We recommend use of your original factory wiring, window-type distributor and stock coil.	169.50
A2547 63-67	GASKET - distributor to intake	2.95
A2590 63-67	GEAR - lower distributor drive / black oxide finish as original	19.95
A2581 63-67	GROMMET - distributor lead wire	3.00
A2462 63-67	GROUND WIRE W/TERMINAL - distributor point plate	3.95
A2595 63-67	HOUSING/BASE - distributor, w/327, cast iron	199.95
B2513 65-67	HOUSING/BASE - distributor, w/bushings, 396/427, (has special galley notch)	695.00
A2384 63-67	ID BAND - distributor identification bands dated w/part number /new - also originals in stock / inquire	30.25
A9917 63-67	LEAD WIRE - distributor to coil	9.00
A2636 63-67	LUBRICANT - distributor cam	3.95



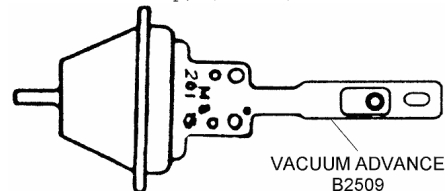
LUBRICATOR
KIT
A2551

A2551 63-67	LUBRICATOR KIT - point opening cam, (retainer w/wick)	10.35
-------------	---	-------



DISTRIBUTOR MAIN SHAFT

A2559 63-67	MAIN SHAFT - tach drive distributor, hi-perf, 340-450hp	59.95
A2532 63-67	MAIN SHAFT - tach drive distributor, standard, 250/300hp	59.95
A2482 63-67	PIN - lower distributor gear retaining	1.00
K3213 63-67	PLATE - distributor, that points & condenser mount to	24.95
A2506 63-67	POINTS - distributor, (repl.)	7.00
A2509 63-67	POINTS - distributor, Delco D106, w/Delco made in USA logo, NOS	14.95
A2533 63-67	POINTS/CONDENSER KIT - NOS Delco, (A2509 & A2568)	19.95
A2412 63-67	REPAIR KIT - Hi-Perf / tach drive distributor 5pc, cross gear, hi perf main shaft, cross gear washer, coupler & button / 340-450hp	99.95
A2413 63-67	REPAIR KIT - Standard / tach drive distributor 5pc, cross gear, standard main shaft, cross gear washer, coupler & button / 250-300hp	99.95
A2437 63-67	REBUILD KIT/TACH DRIVE DISTRIBUTOR - coupler, cross gear, thrust washer & button / button may not be required, 4pc	49.95
C2552 63-67	REBUILD KIT - tach drive distributor, (w/cross gear, bushings, installation tools)	55.00
A2566 63-67	REPAIR KIT - upper distributor, includes plate's seal, felt wick, sleeve on shaft complete	6.75
A2499 63-67	ROTOR - D409, equivalent, heavy plastic	6.95
A2584 63-67	ROTOR - distributor	6.00
A2589 63-67	ROTOR - distributor, original D409 w/Delco logo, heavy black bakelite	13.95
A2480 63-67	SCREW - condenser mounting	1.00
A2598 63-67	SCREW SET - distributor, vacuum advance (pr)	1.00
A2479 63-67	SCREW SET - points, (2 pc.)	1.80
A3691 63-65	SEAL - FI upper main distributor shaft	13.95
K2510 63-67	SEAL - plastic / under distributor point plate	1.25
A2553 63-67	SHIM PACK - between housing & bottom gear, (4 pc.)	5.60
A2481 63-67	SLEEVE - main shaft, under top of cam, rubber	2.50
A2554 63-67	SMALL PARTS KIT - distributor [9pc]	7.80
A2545 63-67	SPRING & WEIGHT KIT - (2 of each)	14.95
A2531 63-67	TOOL - point gap adjuster, flexible, w/screw driver handle	5.95
A2555 63-67	TOOL - tap guide insert, set screw, tach drive distributor, (9 pc.)	5.95
A2556 63-67	TOOL - threaded drill guide, tach drive distributor	8.75
A2477 63-67	TUNE-UP KIT - distributor, points, rotor, condenser & cap, (w/o FI)	23.00

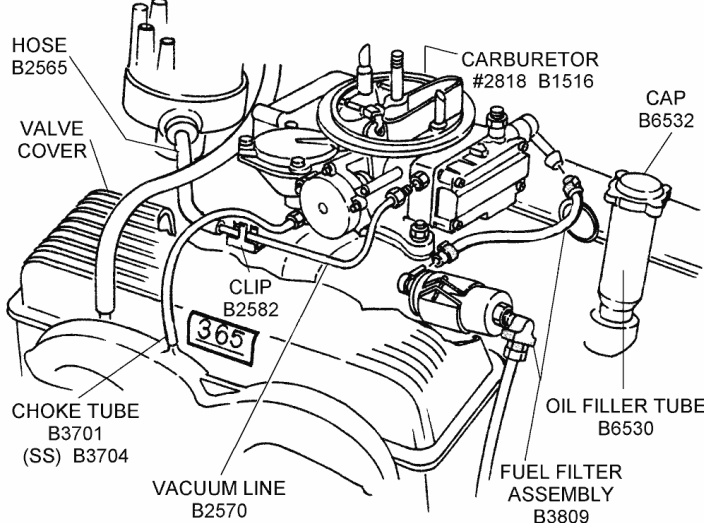


VACUUM ADVANCE
B2509

A2586 63-67	VACUUM ADVANCE - 327/250-300hp, (repl.)	14.00
B2585 63-67	VACUUM ADVANCE - distributor w/hi-perf, replacement	14.00
A2429 63-67	VACUUM ADVANCE - distributor, GM #1116201, 63 all, 64 250-300hp, 65-67 425-435hp	41.40
B2511 64-67	VACUUM ADVANCE - distributor, GM #1116236, 64-67 350-375hp, 65 250-375hp	41.40
B2510 65-67	VACUUM ADVANCE - distributor, GM #1115355, 66-67 300hp, 66-67E 390-425hp, distributors # 1111093, 1111117, 1111141, 1111142, 1111153 & 1111194	41.40
B2545 67	VACUUM ADVANCE - distributor, GM #1115373, L88	62.00
B2529 67L	VACUUM ADVANCE - distributor, GM #1115360, 390 - 400hp	41.40
A2534 63-67	WASHER - tach drive cross gear, (ea)	1.75
K2511 63-67	WASHER - felt / under distributor plate	1.25
B2560 64-67	WASHER/BUSHING - TI distributor, mounts under magnetic pick-up	4.95

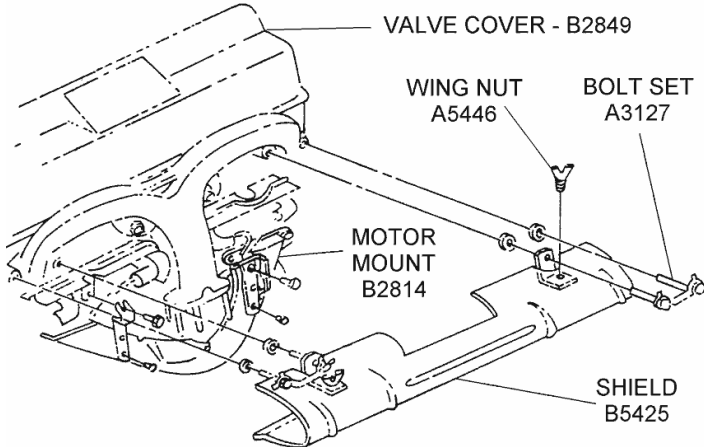
Ignition Distributor Vacuum Advance Lines & Fittings

Vacuum Advance Lines 1964-65 350/365 HP



- B2582 63-67 CLIP/RETAINER - vacuum advance line, on intake5.50
- B3735 64-65 FITTING - vacuum restriction, AFB/WCFB 1x4, vacuum, carburetor rear AFB13.00
- B2565 63-67 HOSE - vacuum advance, w/white strip, 7'3.50
- B2562 63-65 LINE - vacuum, 327/250hp, steel15.75
- B2564 63-65 LINE - vacuum, 327/300hp, steel15.00
- B2568 63 LINE - vacuum, 340hp, chrome w/fitting22.00
- B2566 63 LINE - vacuum, 327/360hp, fuel injection, chrome15.75
- B2570 64-65 LINE - vacuum, 327-350/365hp, chrome w/fitting24.00
- B2572 65 LINE - vacuum, 396/425hp, steel15.75
- B2574 66 LINE - vacuum, 327/300hp, chrome15.75
- B2576 66 LINE - vacuum, 327/350hp, chrome24.00
- B2578 66-67 LINE - vacuum, 1966/67 427/390hp, 1966 427/425HP, steel15.75
- B2569 67 LINE - vacuum, 327/300hp, steel15.75
- B2571 67 LINE - vacuum, 327/350hp, steel15.00
- B2580 67 LINE - vacuum, 400/435hp, chrome22.00
- A2598 63-67 SCREW SET - distributor, vacuum advance (pr) .1.00

Ignition Shielding: 327 Components & Complete Kits



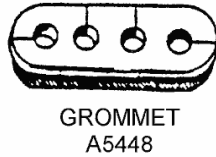
- B5488 63-67 BOLT SET - ignition shield brackets (6 pc.), incl. bolts for rear lower brackets, spark plug shields & block clips9.35
- A5449 63-67 BOLT SET - 4 heat shields above spark plugs 6pc5.10
- B5411 63-67 BOLT - top ignition shield1.55
- K0168 63-67 BRACKET - inner shield, LH lower, GM #3819757, (2 req.)3.50
- B5415 63-67 BRACKET - 327 LH upper shield18.60
- B5555 63-67 BRACKET - lower horizontal ignition shielding, LH12.50
- B5416 63-67 BRACKET - 327 upper shield, w/coil holder, RH22.90
- K0170 63-67 BRACKET - outer shield, RH lower, GM #3819759, (2 req.)3.95
- K0169 63-67 BRACKET - straight lower inner, GM #3819758, (4 req.)4.55
- B5434 64-67 BRACKET KIT - lower horizontal ignition shielding, stainless steel (8pc.)30.00

- B5428 63 BRACKET KIT - lower horizontal ignition shield, stainless steel, (6 pc.)25.95
- B5427 63 BRACKET KIT - lower horizontal ignition shield, (6 pc.)9.75
- B5433 64-67 BRACKET KIT - lower horizontal ignition shielding, (8 pc.)34.95
- B5435 63 BRACKET SET - lower ignition shield, RH, 'L' shape, (pr)7.00
- B5414 63-65 CLIP - top distributor shield rear ground, w/FI21.60
- B5413 63-67 CLIP - top distributor shield rear ground, w/o FI13.30
- A5452 63-67 CLIP/SUPPORT - spark plug wire, on block, (2 req.) (ea)5.25
- A5450 63-67 CLIP/SUPPORT - spark plug wire, on oil pan, (2 req.) (ea)4.20
- A5448 63-67 GROMMET - spark plug wires, oval, 3272.50

1963-67 IGNITION SHIELDING KITS with BRACKETS

B5401	63E	SHIELDING KIT				
B5402	63L	SHIELDING KIT				
B5403	64	SHIELDING KIT				
B5404	65	SHIELDING KIT				
B5405	66-67	SHIELDING KIT				
B5406	63E	TOP SHIELD				1
B5407	63L	TOP SHIELD				1
B5408	64	TOP SHIELD			1	
B5409	65	TOP SHIELD		1		
B5410	66-67	TOP SHIELD	1			
B5419	63	VERTICAL SHIELD - LH				1 1
B5420	64-67	VERTICAL SHIELD - LH	1	1	1	
B5417	63-67	VERTICAL SHIELD - RH	1	1	1	1 1
B5425	63	HORIZONTAL SHIELD - RH				1 1
B5484	63-65	HORIZONTAL SHIELD - LH front		1	1	1 1
B5486	63-65	HORIZONTAL SHIELD - LH rear		1	1	1 1
B5480	64-65	HORIZONTAL SHIELD - RH front		1	1	1 1
B5481	64-65	HORIZONTAL SHIELD - RH rear		1	1	1 1
B5480	66-67	HORIZONTAL SHIELD - RH front	1			
B5483	66-67	HORIZONTAL SHIELD - RH rear	1			
B5485	66-67	HORIZONTAL SHIELD - LH front	1			
B5411	63-67	BOLT - top shield	1	1	1	1 1
B5446	63-67	WING NUTS - various locations	11	11	11	9 9
B5415	63-67	BRACKET - LH upper, top shield	1	1	1	1 1
B5416	63-37	BRACKET - RH upper, top shield	1	1	1	1 1
B5418	63-67	NUT - vertical shield, "J" shape	1	1	1	1 1
A5436	63-67	BRACKET - LH lower	1	1	1	1 1
B5427	63	BRACKET KIT - lower horizontal shield				1 1
B5433	64-67	BRACKET KIT - lower horizontal shield	1	1	1	
A5448	63-67	GROMMET	3	3	3	3 3
B5455	63-64	SUPPORT - spark plug wire, RH, rear lower				1 1 1
B5499	65-67	SUPPORT - spark plug wire, RH, rear lower	1	1		

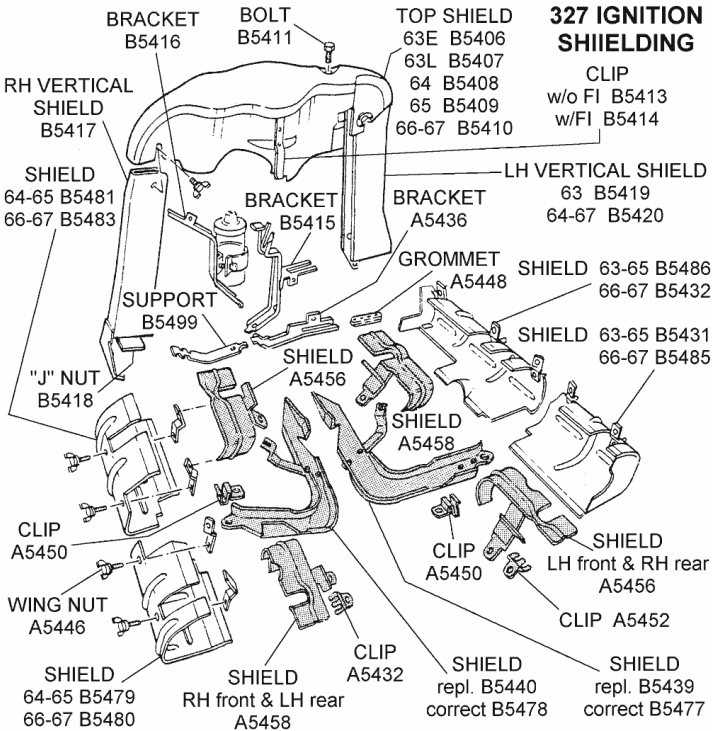
- B5401 63E KIT / IGNITION SHIELDING - 327 complete w/brackets / see chart for details469.00
- B5402 63L KIT / IGNITION SHIELDING - 327 complete w/brackets / see chart for details469.00



- B5403 64-65E KIT / IGNITION SHIELDING - 327 complete w/brackets / see chart for details469.00
- B5404 65L KIT / IGNITION SHIELDING - 327 complete w/brackets / see chart for details469.00
- B5405 66-67 KIT / IGNITION SHIELDING - 327 complete w/brackets / see chart for details469.00
- B5412 63E REPAIR KIT - top shield distributor17.95
- B5418 63-67 NUT - vertical ignition shield, 'J' shape, RH 1.30
- B5419 63 SHIELD - vertical ignition w/indent, LH43.25
- B5470 63L-64 REPAIR KIT - top shield distributor20.95
- B5420 64-67 SHIELD - vertical ignition wires, LH48.25
- B5472 65 REPAIR KIT - top shield distributor17.95
- B5417 63-67 SHIELD - vertical ignition wires, RH63.05
- B5473 66-67 REPAIR KIT - top shield distributor17.95

NOTE: Top Shield Repair Kits include correct clip, inner protector and rivets to recondition your top ignition shield.

- B5400 63-67 SCREW SET - coil bracket mounting, 'RBW' headmark, (pr)9.00



NOTE: Shaded parts are not included in Ignition Shielding Kit.

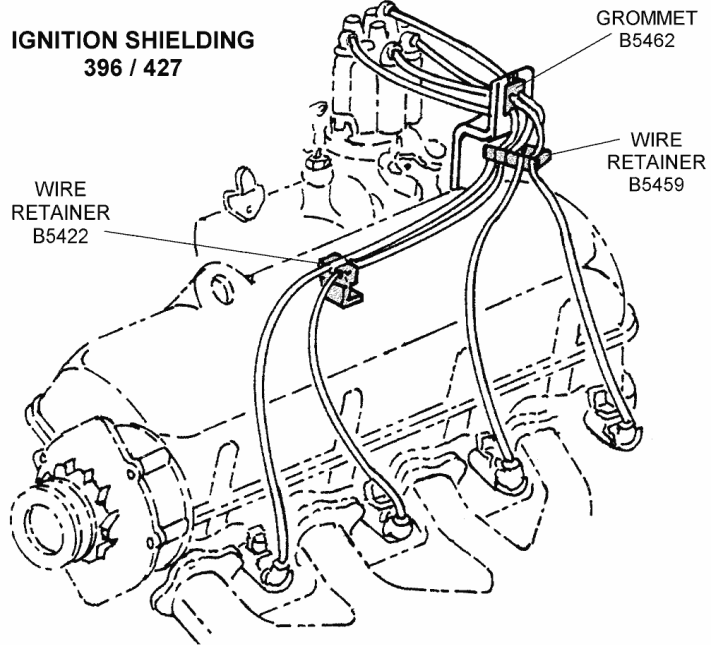
- B5406 63E TOP SHIELD - distributor209.00
- B5407 63L TOP SHIELD - distributor209.00
- B5408 64 TOP SHIELD - distributor209.00
- B5409 65 TOP SHIELD - distributor209.00
- B5477 63-67 SHIELD - heat, spark plug wires, LH, lower block, 'U' boomerang, correct reproduction ..52.75
- B5410 66-67 TOP SHIELD - distributor209.00
- B5440 63-67 SHIELD - heat, spark plug wires, RH, lower block, 'U' boomerang, (repl.)52.75
- B5478 63-67 SHIELD - heat, spark plug wires, RH, lower block, 'U' boomerang, correct reproduction ..52.75
- A5456 63-67 SHIELD - heat, spark plug, LH front & RH rear12.00
- A5458 63-67 SHIELD - heat, spark plug, RH front & LH rear12.00
- B5425 63 SHIELD - lower ignition, (covers entire right side), w/correct support strap & controls, RH41.70
- B5484 63-65 SHIELD - spark plug, horizontal, left front .34.35
- B5485 66-67 SHIELD - spark plug, horizontal, left front .34.35
- B5486 63-65 SHIELD - spark plug, horizontal, left rear .33.40
- B5479 64-65 SHIELD - spark plug, horizontal, right front27.95
- B5480 66-67 SHIELD - spark plug, horizontal, right front 27.95
- B5481 64-65 SHIELD - spark plug, horizontal, right rear .27.95
- B5483 66-67 SHIELD - spark plug, horizontal, right rear .32.25
- C5421 63-67 SHIELD KIT - heat, spark plug & wires, (correct)152.00

NOTE: Spark plug and wire heat shield kits include spark plug wire heat shields, "U" heat shields and wire clips as required.

- B5423 63 SHIELD SET - lower horizontal ignition w/brackets & wing nuts104.95
- B5489 64-65 SHIELD SET - lower horizontal, w/brackets & wing nuts117.25
- B5424 66-67 SHIELD SET - lower horizontal, w/brackets & wing nuts117.25
- B5499 65-67 SUPPORT - rear, spark plug wires, mounts to block, RH lower2.80
- B5455 63-64 SUPPORT - rear, spark plug wires, mounts to block, RH lower, 4 holes on 1 side13.95
- A5446 63-67 WING NUT - ignition shield, (ea)1.25

NOTE: Part numbers: A5456, A5458, B5440, B5477 & B5478 are not included in ignition shielding kit.

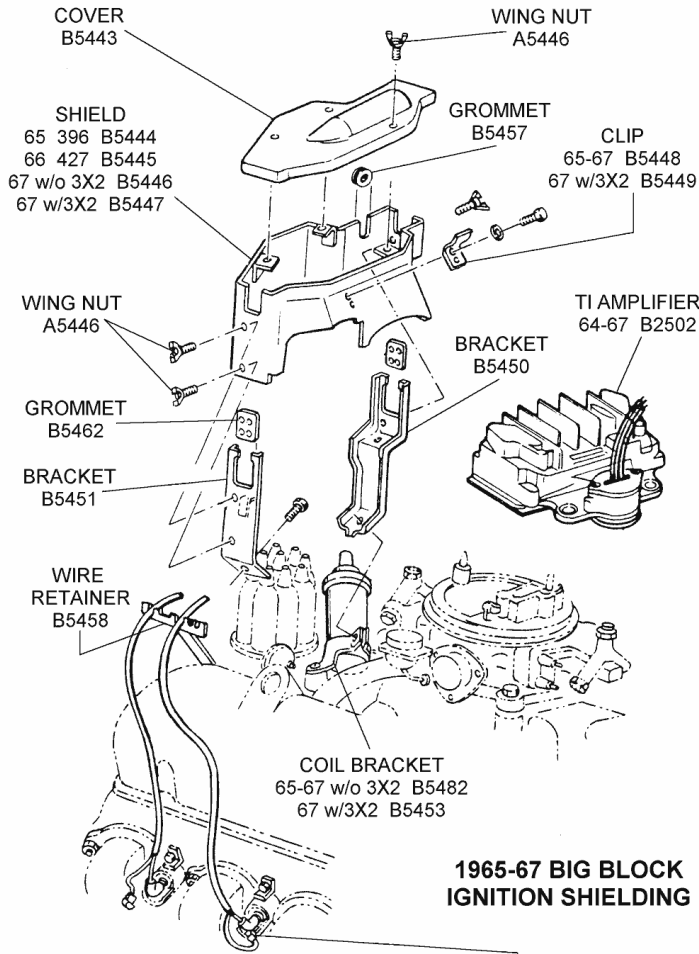
Ignition Shielding: 396 & 427 Components & Complete Kits



- B2542 65-67 BOLT - mounting w/lw & nut TI amplifier box, (except 65/396)8.80
- B5454 65-66 BOLT SET - barrel shields around spark plugs, 'L' hm, (8 pc.)6.10
- B5453 67 BRACKET - coil mounting, w/3x222.40
- B5482 65-67 BRACKET - coil mounting, w/o 3x217.95
- B5450 65-67 BRACKET - upper shield, LH17.60
- B5451 65-67 BRACKET - upper shield, RH17.60
- B5449 67 CLIP - front, top ignition shield, 3x215.00
- B5448 66-67 CLIP - front, top ignition shield, 427 1x4 ..12.30
- B5443 65-67 COVER - distributor ignition shield72.40
- B5457 66-67 GROMMET - 427 top shield rear, round, ea4.50
- B5462 65-67 GROMMET - spark plug wire, square, ea4.90

1965-67 396/427 IGNITION SHIELDING KITS

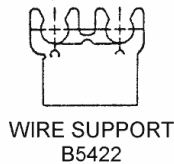
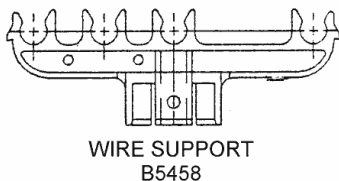
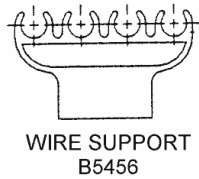
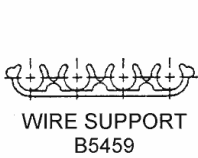
Part No.	Year	Kit Description	Q1	Q2	Q3	Q4
B5442	65	IGNITION SHIELD KIT - 396				
B5474	66	IGNITION SHIELD KIT - 427				
B5475	67	IGNITION SHIELD KIT - 427, 1x4				
B5476	67	IGNITION SHIELD KIT - 427, 3x2				
B5443	65-67	COVER - distributor	1	1	1	1
B5444	65	SHIELD - distributor				1
B5445	66	SHIELD - distributor				1
B5446	67	SHIELD - distributor, 1x4			1	
B5447	67	SHIELD - distributor, 3x2	1			
B5450	65-67	BRACKET - upper shield, LH	1	1	1	1
B5451	65-67	BRACKET - upper shield, RH	1	1	1	1
B5462	65-67	GROMMET - square	2	2	2	2
B5457	65-67	GROMMET - round	1	1	1	1
A5446	65-67	WING NUT	6	6	6	6



1965-67 BIG BLOCK IGNITION SHIELDING

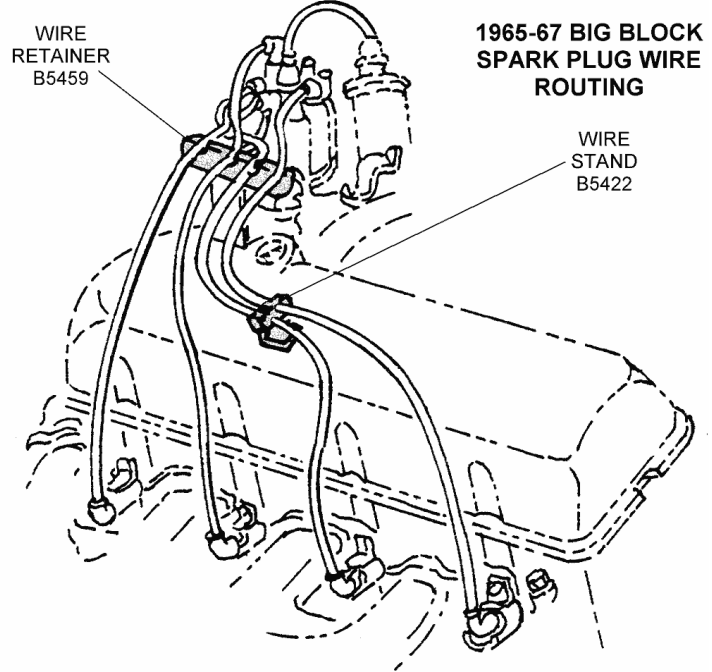
65-66 SPARK PLUG BARREL SHIELDS (not included in ignition kit) B5460

B5442	65	KIT - IGNITION SHIELDING / 396 - SEE CHART FOR DETAILS	179.95
B5474	66	KIT - IGNITION SHIELDING / 427 - SEE CHART FOR DETAILS	179.95
B5475	67	KIT - IGNITION SHIELDING / 427 1X4 - SEE CHART FOR DETAILS	179.95
B5476	67	KIT - IGNITION SHIELDING / 427 3X2 - SEE CHART FOR DETAILS	179.95
B5490	65-67	NUT SET - spark plug wire to support grounding	1.20
B5452	65-67	SCREW - coil bracket retains coil (396/427)	1.30
B5400	65-67	SCREW SET - coil bracket mounting, 'RBW' HM, (pr)	9.00
B5444	65	SHIELD - distributor cover, w/clip, 396	87.50
B5445	66	SHIELD - distributor cover, w/clip, 427	87.50
B5447	67	SHIELD - distributor cover, w/clip, 427 w/ 3x2	87.50
B5446	67	SHIELD - distributor cover, w/clip, 427 w/o 3x2	87.50
B5491	65-66	SHIELD - spark plug, barrel shape, (ea)	9.80
B5460	65-66	SHIELD SET - spark plug, barrel shape, (8 pc.)	78.45



B5458	65-66	SUPPORT - spark plug wire retainer on valve cover, 3+1 wire stand, 396/427	3.50
-------	-------	--	------

B5459	65-67	SUPPORT - spark plug wire retainer on valve cover, 4 wire no stand, 396/427	3.50
-------	-------	---	------



1965-67 BIG BLOCK SPARK PLUG WIRE ROUTING

B5422	65-67	SUPPORT - spark plug wire retainer, LH & RH front on valve cover, 396/427, 2 wire	3.50
B5456	67	SUPPORT - spark plug wire retainer on valve cover, 396/427 (4 wire, w/stand) (ea)	3.50
A5446	63-67	WING NUT - ignition shield, (ea)	1.25

Ignition Spark Plug Wire Sets - 327

A8302	63-67	PULLER - spark plug boot & cable	3.00
B4422	63	SPARK PLUG WIRE SET - dated 3Q62 w/FI	75.85
B4424	63	SPARK PLUG WIRE SET - dated 1Q63 w/FI	75.85
B4406	64	SPARK PLUG WIRE SET - dated 3Q63 w/FI	75.85
B4408	64	SPARK PLUG WIRE SET - dated 1Q64 w/FI	75.85
B4410	65	SPARK PLUG WIRE SET - dated 3Q64 w/FI	75.85
B4412	65	SPARK PLUG WIRE SET - dated 1Q65 w/FI	75.85
B4402	63	SPARK PLUG WIRE SET - dated 3Q62 w/o FI	75.85
B4404	63	SPARK PLUG WIRE SET - dated 1Q63 w/o FI	75.85
B4426	64	SPARK PLUG WIRE SET - dated 3Q63 w/o FI	75.85
B4428	64	SPARK PLUG WIRE SET - dated 1Q64 w/o FI	75.85
B4430	65	SPARK PLUG WIRE SET - dated 3Q64 w/o FI	75.85
B4432	65	SPARK PLUG WIRE SET - dated 1Q65 w/o FI	75.85
B4414	66	SPARK PLUG WIRE SET - dated 3Q65	75.85
B4416	66	SPARK PLUG WIRE SET - dated 1Q66	75.85
B4420	67	SPARK PLUG WIRE SET - dated 1Q67	75.85
B4418	67	SPARK PLUG WIRE SET - dated 3Q66	75.85

Ignition Spark Plug Wire Sets - 396 427 With Radio

Correct spark plug wires contain the appropriate factory script and dates as well as the correct spark plug boots. Packard cable is used and cut to exact lengths per original blue prints. Order by date. (example: 1966 cars build Sept. 1965 - Feb. 1966 uses 3Q65 wires, cars built March 1966 - Aug. 1966 uses 1Q66 wires.) All prices are for a complete set of spark plug wires.

B4429		CLIP SET - Shielded spark plug wires - 396/427 (used to ground spark plug wires to heat shields attach to braided metallic covering, Included on spark plug wire sets for cars with radio (8pc)	11.25
B4439	65	SPARK PLUG WIRE SET - braided cable, dated 3Q64	156.90
B4434	65	SPARK PLUG WIRE SET - braided cable, dated 1Q65	156.90
B4436	66	SPARK PLUG WIRE SET - braided cable, dated 3Q65	156.90
B4438	66	SPARK PLUG WIRE SET - braided cable, dated 1Q66	156.90
B4440	67	SPARK PLUG WIRE SET - braided cable, dated 3Q66	156.90
B4442	67	SPARK PLUG WIRE SET - braided cable, dated 1Q67	156.90

Ignition Spark Plug Wire Sets - 396 427 Without Radio

B4448	65L	SPARK PLUG WIRE SET - dated 1Q65	75.85
B4450	66	SPARK PLUG WIRE SET - dated 3Q65	75.85
B4452	66	SPARK PLUG WIRE SET - dated 1Q66	90.55
B4454	67	SPARK PLUG WIRE SET - dated 3Q66	75.85
B4456	67	SPARK PLUG WIRE SET - dated 1Q67	75.85

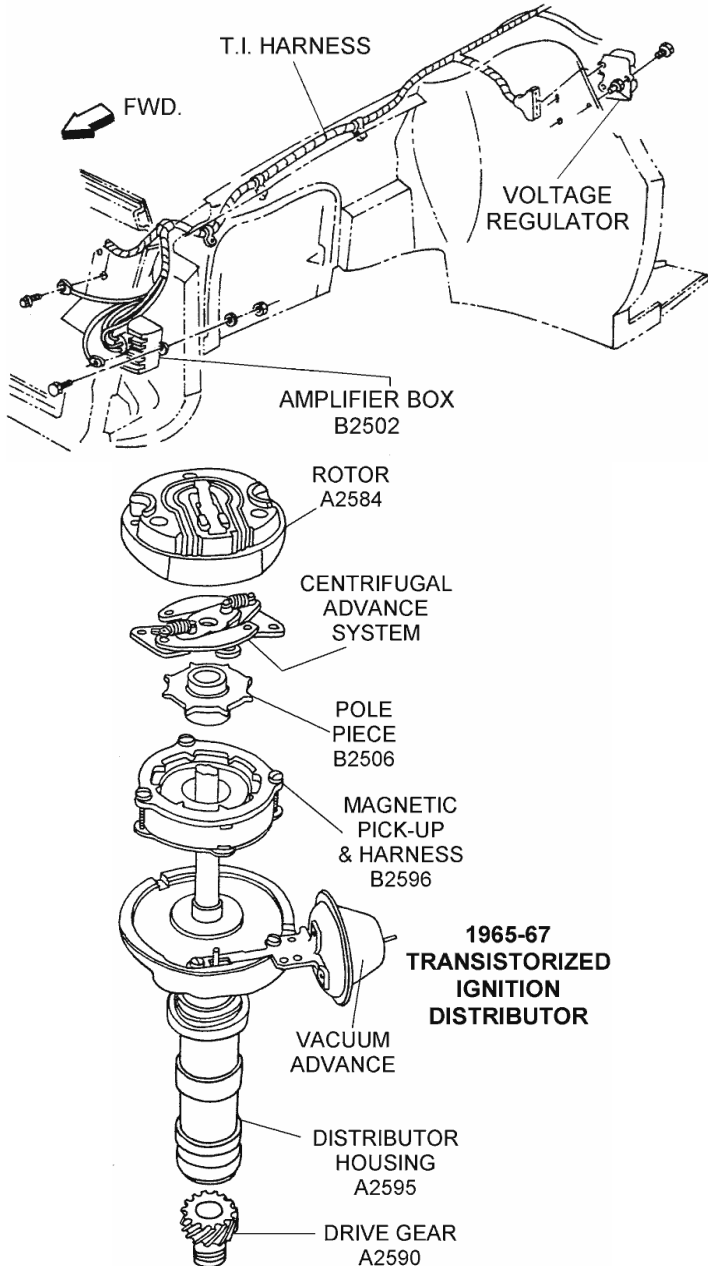
- B4407 67 SPARK PLUG WIRE SET - L88, red/brown wire, correct gray boots, various dates available1,250.00

Ignition Spark Plug Wire Sets - Generic

Custom tailored spark plug wire sets by LECTRIC LIMITED. These sets are the equivalent to current GM replacements and are built using Packard wire. Better yet, they fit correctly, offering exceptional value for the money.

- A4409 63-67 SPARK PLUG WIRE SET - all 265/283/327/350, correct fit48.30
- B4409 65-66 SPARK PLUG WIRE SET - all 396/427 w/o radio, non-dated35.95
- B4443 65-66 SPARK PLUG WIRE SET - all 396/427 w/radio (braided)108.65
- B4411 67 SPARK PLUG WIRE SET - all 427 w/o radio, non-dated48.30
- B4446 67 SPARK PLUG WIRE SET - all 427 w/radio, braided wire cable126.75

Ignition System - Transistorized K66



- B9876 64-67 AMPLIFIER BOX RESTORATION - transistorized ignition amplifier, new solid state board, replating, painting, detailing w/decal249.95
- B2502 64-67 AMPLIFIER BOX - transistorized ignition, restored original w/new decal & undated new internals595.00
- B2602 64-67 AMPLIFIER BOX - w/decal, transistorized ignition - new - an extremely close replica but not 100% correct399.00
- B2518 66-67 BOLT - transistorized ignition. amplifier mount, w/nut & lock washer, (3 pc.)8.80

- A2445 64-67 CAP - distributor w/correct 'DELCO REMY PATENT PENDING' logo/as original - w/o FI ...63.95
- A2546 64-67 CAP - distributor, all except fuel injection, (repl.)13.00
- B2534 64-65 CAP - distributor, w/fuel injection, (repl.)29.95
- B2535 64-65 CAP - distributor, w/fuel injection, w/ 'DELCO REMY PATENT PENDING ' logo - short tower129.95
- B2522 64-67 CLIP & SCREW SET - transistorized ignition harness, under LH hood latch1.80
- B2587 64E COIL - TI, #1115196225.60
- B2588 64L COIL - TI, #1115176145.95
- B2590 65E COIL - TI, 327/350-375hp, #1115203145.95
- B2592 65-66 COIL - TI, 1965 396/425hp & late 66 427/390hp MT, #1115210145.95
- B2591 65-67 COIL - TI, 327/350-375hp, #1115207145.95
- B2597 66 COIL - TI, 427/390hp, 427/425hp #1115231 ...145.95
- B2595 66 COIL - TI, 427/390hp, 427/425hp #1115261 ...145.95
- B2599 67 COIL - TI, 427/390-400-430-435hp #1115263 ...145.95
- B2547 64-67 DISTRIBUTOR CONVERSION - from tach drive point type to transistorized ignition / includes all related parts, testing & detailing / if main shaft & cross gear need replacing there is an additional charge459.95
- B2501 63-67 DISTRIBUTOR REBUILDING SERVICE - tach drive w/transistorized ignition, 327 396 427, exchange135.00
- B2523 65-67 DISTRIBUTOR - tach drive, 396/427, w/transistorized ignition, w/special oil galley notch, recond. original, w/cap ...1,095.00
- B2504 64-67 DISTRIBUTOR - tach drive, transistorized ignition, 327695.00
- B2536 64-67 GASKET - amplifier box cover4.75
- B9932 64-65 HARNESS - transistorized ignition, w/TI conversion kit119.00
- B9948 66-67 HARNESS - transistorized ignition, w/TI conversion kit119.00
- B9966 65 HARNESS - voltage regulator adapter, w/TI ...31.00
- A2384 64-67 ID BAND - distributor, dated w/part numbers, many originals in stock, give us a call for specific numbers30.25
- B2596 64-67 MAGNETIC PICK-UP/COIL - w/wire harness, GM# 1960779, W/ORIGINAL WHITE /GREEN LEAD, MOLDED ON TERMINALS & TRANSLUCENT CONNECTOR265.00
- A2559 63-67 MAIN SHAFT - distributor, all w/TI59.95
- B2503 65-67 MODULE - transistorized ignition amplifier box151.05

NOTE: If your TI amplifier box has burned out or you can't find an original TI coil, we have the answer. Our new TI Amplifier Box Module (order B2503) replaces the transistor board within all TI Amplifier Boxes making them better than new! It allows the system to function with a standard replacement coil or a TI coil. It is constructed to outlast the original and creates a hotter spark when used with a TI or aftermarket high output coil. It installs in minutes and from the outside your amplifier box looks totally stock.

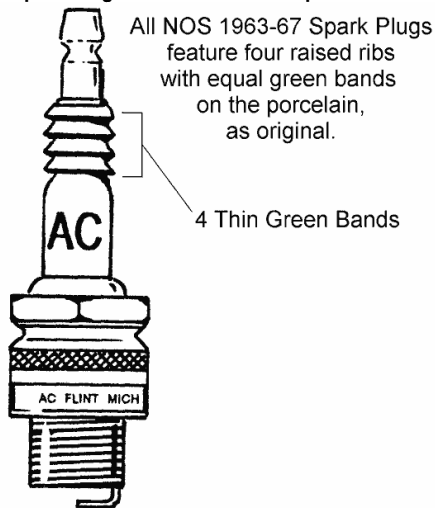
- B2506 64-67 POLE PIECE/STATOR - on distributor main shaft, upper, GM# 1967928134.95
- B2514 66-67 SCREW - ground, transistorized ignition to radiator shroud1.00
- B2516 64-67 SCREW SET - transistorized ignition amplifier cover, rear, yellow, (6 pc.)3.55
- B2515 65 SCREW SET - transistorized ignition amplifier mount, w/3962.70
- B2517 64-67 SERVICE BULLETIN - transistorized ignition ...5.65
- B2509 66-67 VACUUM ADVANCE - distributor, GM#1116201, 66 - 427/425hp, 1111093 67 - 427/325hp, 111125841.00
- B2511 64-67 VACUUM ADVANCE - distributor, GM # 1116236, 1111060, 1111064, 1111088, 65 - 1111093, 111115741.40
- B2510 66 VACUUM ADVANCE - distributor, GM # 1115355, 111104241.40
- B2529 67 VACUUM ADVANCE - distributor, GM # 1115360, 111124841.40
- B2560 64-67 WASHER/BUSHING - TI distributor, mounts under magnetic pick-up4.95

Ignition System - Tune Up Kits

- B0051 63-65 TUNE UP KIT - 327/250HP, includes: air cleaner & oil filter, distributor cap, condenser, points, rotor & spark plugs & wires99.95
- B0052 63-65 TUNE UP KIT - 327-300/350/365HP, includes: air cleaner & oil filter, distributor cap, condenser, points, rotor & spark plugs & wires99.95
- B0054 66-67 TUNE UP KIT - 327-300/350HP, includes: air cleaner & oil filter, distributor: cap/condenser/points/rotor, pcv valve, & spark plugs & wires84.95

B0053	65-66	TUNE UP KIT - 396/427, includes: air cleaner & oil filter, distributor: cap/condenser/points/rotor, pcv valve, & spark plugs & wires159.95
B0055	67	TUNE UP KIT - 427/390HP, includes: air cleaner & oil filter, distributor: cap/condenser/points/rotor, pcv valve, & spark plugs & wires179.95

Ignition System: Spark Plug Sets - NOS AC & Replacements



A8317	63-67	REPAIR KIT - spark plug threads in head, (14 mm)11.95
B4401	65-67	SPARK PLUG SET - NOS, AC #C42N, 'Heavy Duty Use' 396/427, (8 pc.)40.00
A4473	63-67	SPARK PLUG SET - NOS, AC #C43-1, 'extended heavy duty use' (8 pc.)49.95
B4400	65-67	SPARK PLUG SET - NOS, AC #43N, 'Standard Equipment', all 396/427, (8 pc.)145.00
B4405	67	SPARK PLUG SET - NOS, AC #43XL, L88/L89 aluminum head, STANDARD', (8 pc.)95.00
NOTE: Some NOS plugs may show slight oxidation due to age.		
A4411	63-67	SPARK PLUG SET - w/327, NOS AC #44, (repl.) (8 pc.)49.95
A4400	63-67	SPARK PLUG SET - w/327, NOS, AC #R44, (repl.) (8 pc.)39.95
B4413	65-67	SPARK PLUG SET - NOS, AC #44N, 396/427, hotter than 43N, for seldom driven cars, (8 pc.)49.95
A4474	63-67	SPARK PLUG SET - NOS, AC #45 hotter than AC #44, 'Town & Country' use, 327, (8pc./asoriginal)40.00
B4417	65-67	SPARK PLUG SET - NOS, AC #45N, 396/427, hotter than 44N, for trailered cars to avoid fowling, (8 pc.)49.95
A4475	63-67	SPARK PLUG SET - NOS, AC #46 hotter than AC#45, used for trailered cars, 'Town & Country' use, 327, (8 pc./as original)40.00
A4413	63-65	SPARK PLUG SET - w/327/250hp, (repl.) (8 pc.) 19.95
B4415	65-67	SPARK PLUG SET - w/396/427, (repl.) (8 pc.) .19.95

Intake Manifold & Related

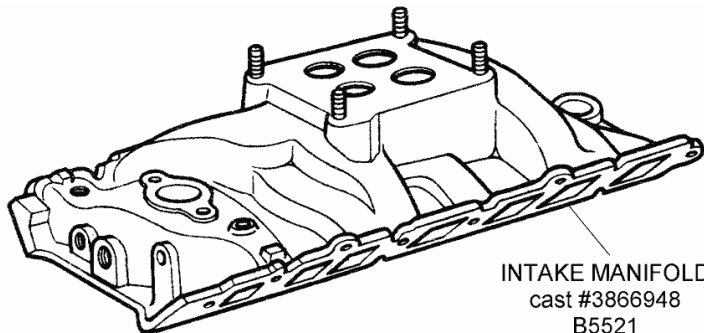
Intake Manifold: 327

A5516	63-67	GASKET SET - intake manifold21.95
A5500	63-67	GASKET SET - intake manifold w/o FI, correct 'kormetal' w/dark gray color & round exposed tab30.35
A5501	63-65	GASKET SET - intake manifold, w/FI, correct 'kormetal' w/dark gray color & round tab25.00
B5502	63	INTAKE MANIFOLD - 250hp, cast iron GM #3783244, dated, call for available dates .175.00
B5508	64	INTAKE MANIFOLD - 250hp, cast iron GM #3844457, dated, call for available dates .175.00
B5539	65	INTAKE MANIFOLD - 250hp, cast iron GM #3866922, dated, call for available dates .175.00
B5504	63	INTAKE MANIFOLD - 300hp, cast iron GM #3799349, dated, call for available dates .295.00
B5510	64-65	INTAKE MANIFOLD - 300hp, cast iron GM #3844459, dated, call for available dates .224.95
B5514	66	INTAKE MANIFOLD - 300hp, cast iron GM #3872783, dated, call for available dates .175.00
B5547	67	INTAKE MANIFOLD - 300hp, cast iron GM #3872783, dated, call for available dates .275.00
NOTE: On cast iron manifolds we have a nice selection of dates - inquire!		
B5506	63	INTAKE MANIFOLD - 340hp, aluminum GM #3794129595.00

B5512	64-65	INTAKE MANIFOLD - 350/365hp, aluminum GM #3844461495.00
B5516	66-67	INTAKE MANIFOLD - 350hp, aluminum GM #3890490575.00
B2065	63-67	REPAIR KIT - engine harness, temperature sender wire (dark green) w/terminal & loom .12.00
A1976	63-67	SENDING UNIT - temperature in intake, w/AC logo as original29.95
A2002	63-67	SENDING UNIT - temperature, (replacement) ...8.00
A5525	63-67	WASHER SET - aluminum intake manifold bolts, stainless steel8.35

NOTE: These thin stainless steel washers reduce aluminum intake manifold damage caused by bolt heads "digging in." Not originally used.

Intake Manifold: 396/427

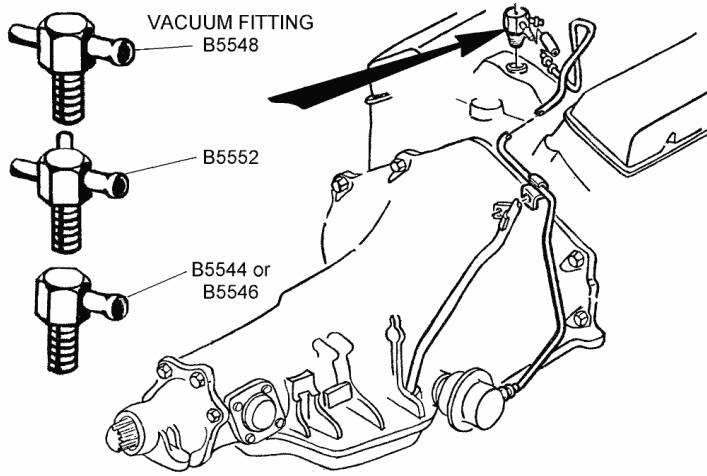


B5500	65-67	GASKET SET - intake manifold, 396/427 w/square port head correct 'kormetal' w/dark gray color & round tab28.05
B5519	65-67	GASKET SET - intake manifold, 396/427, hi-perf, rectangular port24.15
B5517	66-67	GASKET SET - intake manifold, 427/390hp w/oval port heads17.90
B5503	66-67	GASKET SET - intake manifold, 427 w/oval port heads, correct 'kormetal' w/dark gray color & round tab26.95
B5518	65	MANIFOLD - intake, 396/425hp, casting number #3866963, reconditioned original750.00
B5520	66	MANIFOLD - intake, 427/390hp, GM casting #3866948, reconditioned original, dated, inquire about available dates225.00
B5590	66	MANIFOLD - intake, 427/425-450hp, #3885069, reconditioned original695.00
B5521	67	MANIFOLD - intake, 427/390hp, GM casting #3866948, reconditioned original, dated, inquire about available dates295.00
B5511	67	MANIFOLD - intake, 427/400hp, 3x2, casting number #3894382 / oval port2,695.00
B5513	67	MANIFOLD - intake, 427/435hp, 3x2, casting number #3894374 / rectangular port2,695.00
B9160	66-67	PIPE - 90 degree intake manifold, water bypass, all 427 w/A.I.R28.95
B2062	65-67	PIPE - straight, water bypass, 396/427, press-in type6.75
B2065	63-67	REPAIR KIT - engine harness, temperature sender wire (dark green) w/terminal & loom .12.00
A1976	63-67	SENDING UNIT - temperature in intake, w/AC logo as original29.95
A2002	63-67	SENDING UNIT - temperature, (replacement) ...8.00
A5525	63-67	WASHER SET - aluminum intake manifold bolts, stainless steel8.35

NOTE: These thin stainless steel washers reduce aluminum intake manifold damage caused by bolt heads "digging in." Not originally used.

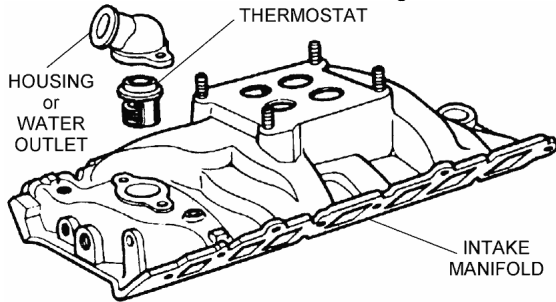
Intake Manifold: Correct Installation Bolt Kits, Vacuum & Other Fittings & Misc.

A5518	63	BOLT SET - intake manifold, 'AP' headmark, 12 pc12.65
B5534	64	BOLT SET - intake manifold, 327 'TR' headmark, zinc, 12 pc16.25
B5536	65	BOLT SET - intake manifold, 327 'TR' headmark, black, 12 pc19.05
B5540	65-67	BOLT SET - intake manifold, 327, 'M' headmark, black, 12 pc15.00
B5541	65-67	BOLT SET - intake manifold, 327, 'M' headmark, zinc, 12 pc17.95
B5538	65	BOLT SET - intake manifold, 396 'A' headmark, 16 pc21.00
B5531	65-67	BOLT SET - intake manifold, 396/427 'M' headmark, zinc, 16 pc20.00
B5542	65-67	BOLT SET - intake manifold, 396/427, 'FP' headmark, 16 pc24.55
A5156	63-67	FITTING - heater hose on intake, 1/2' NPT, 5/8' hose, all12.95
B2060	63-67	FITTING - intake manifold bypass hose, 327-340/375hp9.70



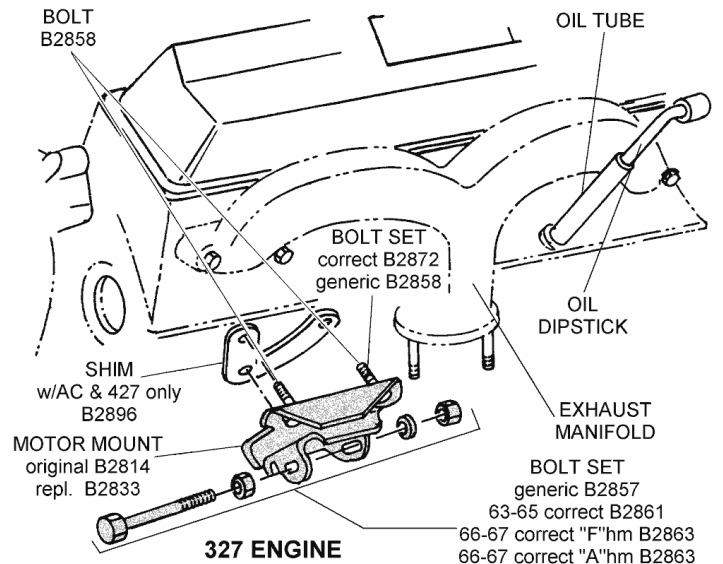
B5544 64-67	FITTING - intake manifold vacuum, P.B. only	15.70
B5546 64-67	FITTING - intake manifold vacuum, AC or auto	12.45
B5550 64-67	FITTING - intake manifold vacuum, AC & auto	12.00
B5552 64-67	FITTING - intake manifold vacuum, AC & auto trans & power brakes	20.20
B5548 64-67	FITTING - intake manifold vacuum, P.B. & AC or P.B. & auto	12.45
B5507 67	FITTING - intake manifold vacuum, 400hp, w/AC & AT	17.75
B5537 67	FITTING - intake manifold vacuum, 400hp, w/P.B., AC & AT	18.00
B5535 67	FITTING - intake manifold vacuum, 400hp, w/P.B., AC or AT	19.50
B9160 66-67	PIPE - 90 degree, water bypass, all 427 w/A.I.R.	28.95
B5501 64-67	PLUG/STEEL VACUUM FITTING - on intake manifold	6.40
B3734 67	STUD & NUT KIT - 3x2 carburetor mounting, (22 pc.)	20.90
B5532 63	STUD - intake manifold hold down, 300/340/360 HP	3.25

Intake Manifold: Water Outlet / Thermostat Housing & Related



B2204 65-67	BOLT SET - water outlet, 'CP' headmark, (also used on '67 L88)	6.75
A2039 63-67	BOLT SET - water outlet, 'TR' headmark, 63-65 327 w/o hi-perf & 396, 66-67 327 special hi-performance	6.70
B2205 66-67	BOLT SET - water outlet, exc. 350hp, 'TR' headmark	5.65
A2003 63-67	GASKET - thermostat housing/water outlet	2.25
A2034 63-67	HOUSING - thermostat, 63-65 250/300hp, 66-67 w/spec hi-perf, 65 396/425hp, 66 427 w/A.I.R., 67 L88, replacement	30.75
B2208 63-67	HOUSING - thermostat, GM #3827369, 63-65 250-300hp, 66-67 350hp, 65 '396', 66 '427' w/A.I.R., 67 'L88'	59.40
B1989 63-67	HOUSING - thermostat, GM #3827369, 63-65 250hp, 66-67 350hp, 65 '396', 66 '427' w/A.I.R., 67 L88, reconditioned original	89.95
B2042 63-65	HOUSING - thermostat, 327 340/375hp, GM #3827370 w/gasket	65.00
B2210 66-67	HOUSING - thermostat, all except 327/350hp & L88, (exact reproduction) casting # 3877660	54.95
B2045 65	SPACER - thermostat housing, 1965 396 / 1967 L88	30.00
A2038 63-65	STUD SET - thermostat housing, w/spec. hi-perf. FI, (SS) (pr)	12.70
A2025 63-67	THERMOSTAT - 160 degree	6.95
A2037 63-67	THERMOSTAT - 180 degree	6.95
A2000 63-67	THERMOSTAT - 195 degree	6.95

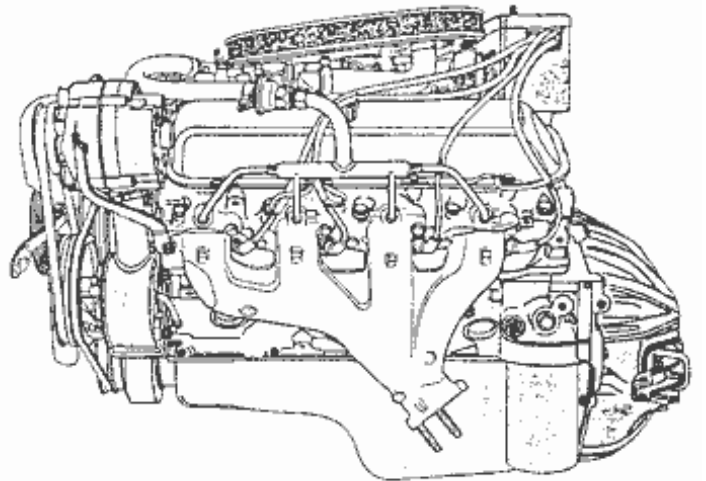
Motor Mount - Engine



B2861 63-65	BOLT KIT - engine mount to frame, 'UR' headmark, w/washers & marston nuts	11.20
B2863 66-67	BOLT KIT - engine mount to frame, 'A' headmark, w/washers & marston nuts	12.35
B2862 66-67	BOLT KIT - engine mount to frame, 'F' headmark, w/washers & marston nuts	11.25
B2858 63-67	BOLT SET - engine mount to engine, (6 pc.)	5.45
B2872 63-67	BOLT SET - engine mount to engine, indented head w/anchor head marks & captured lock washers, (6 pc.), repl.	9.00
B2857 63-67	BOLT SET - engine mount to frame, (repl.) (6 pc.)	3.15
B7139 63-67	GROUND STRAP - engine mount, block, (2 req.) (ea.)	7.75
B2833 63-67	MOUNT - engine, locking replacement, (ea.)	23.25
B2814 63-67	MOUNT - engine, non-locking, as original, (ea.)	28.05
B2896 66-67	SHIM - engine mount, 427 w/AC, 'V' shape, mounts between engine block and motor mount to keep carb floats level, (2 req.) (ea.)	10.35

Oil / Lubrication System

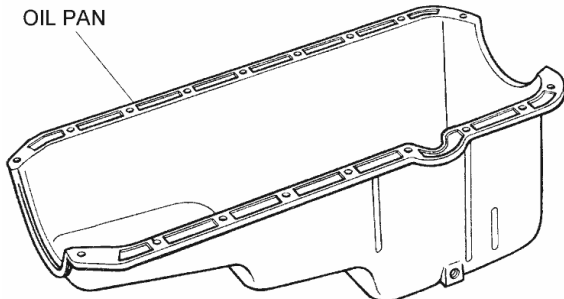
Oil / Lubrication System - 327



A6543 63-65	BAFFLE - oil pan, mounts w/cap bolts, used w/B6550, 327	34.50
A6513 63-67	BOLT - oil pump to block	3.95
A6521 63-67	BOLT SET - oil filter bypass valve 'Delta' headmark, (2 pc.)	4.00
A6533 63-67	BOLT SET - oil pan, 327, 'L' hm, (18 pc.)	12.50
A6545 63-67	CANISTER - oil breather/crank case vent, in lifter galley, (recond.)	39.00
A6518 63-67	CANISTER - oil filter, w/AC decal PF141	96.00
B6534 63-65	CAP - oil filler, w/o spec. hi-perf., black	9.00
B6532 63-65	CAP - oil filler, all spec. hi-perf., chrome	9.00
B6542 66-67	CAP - oil filler, base 327, 'S' logo rivet, black	9.00

B6540	66-67	CAP - oil filler, 327 hi-perf, 'S' logo rivet, chrome18.45
A6539	63-67	CONVERSION KIT - spin on oil filter29.95
A6514	63	DIP STICK - engine oil, (except hi-perf.)20.60
B6506	63	DIP STICK - engine oil, hi-perf., chrome19.50
B6511	64	DIP STICK - engine oil, all except hi-perf., black16.95
B6507	64	DIP STICK - engine oil, hi-perf., chrome23.85
B6516	65-67	DIP STICK - engine oil, 327, w/black button22.00
B0063	65-67	DIP STICK - engine oil, (chrome)28.05
A6500	63-67	FILTER - engine oil/ installs in metal cannister8.95
C6503	63-67	FILTER - engine oil, PF25, (spin-on replacement)16.95
B0061	63-67	FILTER - engine oil, PF31, (spin-on replacement)6.30
B6515	63-67	GASKET - oil cap, w/hole3.75
A6511	63-67	GASKET - oil filter bypass valve4.25
A6537	63-67	GASKET - oil pan drain plug3.95
A6532	63-67	GASKET KIT - oil pan, 32717.95
B6574	64-65	HOSE - oil tube to vacuum restrict fitting 250/300hp2.95
B6556	63-67	LINE KIT - oil pressure, 327, copper11.00
A6528	63-65	LINE KIT - oil pressure, FI distributor, steel (5 pc.)24.00
B6599	63-67	OIL PAN - all w/power steering [referred to as 5 quart pan/actual capacity 4 quarts] ...269.00

OIL PAN



B6550	63-67	OIL PAN - all w/o power steering, 6 quartCALL
B6521	63-67	OIL PAN - replacement61.75
B6502	63-67	PICK UP & SCREEN - oil pan, 32713.25
A6536	63-67	PLUG - oil drain, in oil pan6.25
B6523	63-67	PLUG - oil drain, magnetic5.95
A6544	63-65	STUD - oil pan baffle, ea17.95
A6512	63-64	TUBE - oil dipstick, 327, (except hi-perf.)13.80
A6546	63-64	TUBE - oil dipstick, hi-perf., chrome12.95
B6514	65-67	TUBE - oil dipstick, 32717.05
B6512	65	TUBE - oil dipstick, 327, hi-perf., chrome13.45
A6538	63-67	TUBE - oil dipstick, lower (in block), all 32713.95
B6522	63	TUBE - oil filler, 250/300hp, black28.05
B6524	63	TUBE - oil filler, 340hp, hi-perf., chrome29.15
B6526	63	TUBE - oil filler, 360hp, FI, chrome40.25
B6531	64-65	TUBE - oil filler, 327/250-300hp, black24.95
B6530	64-65	TUBE - oil filler, 327/350-375hp, chrome30.30
B6536	66-67	TUBE - oil filler, 327/300hp, black29.50
B6538	66-67	TUBE - oil filler, 327/350hp, chrome44.85
A6519	63-67	VALVE - oil filter by-pass w/gasket, (mounts to block)35.75

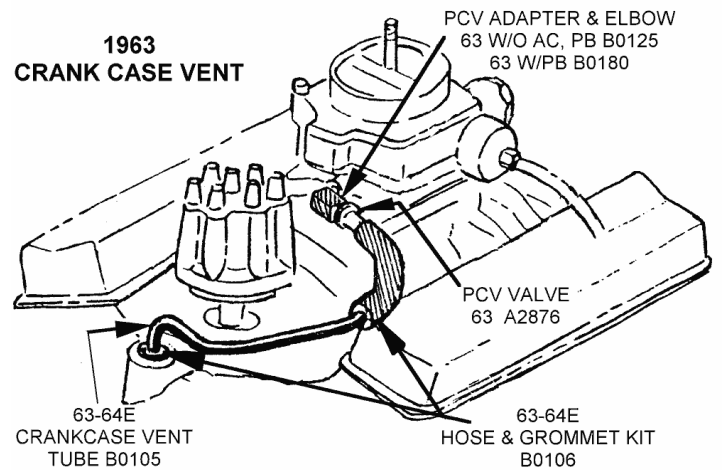
Oil / Lubrication System - 396/427

B6500	65-67	ADAPTER FITTING - oil pressure line, w/o spec hi perf. 396/427, 3/8' x 1/8' NPT6.75
B6501	66-67	ADAPTER FITTING - oil pressure line, w/spec hi perf. 427 1/2' x 1/8' NPT13.00
B6504	65-67	BAFFLE - oil pan, 396/42712.85
A6513	63-67	BOLT - oil pump to block3.95
A6521	63-67	BOLT SET - oil filter bypass valve 'Delta' headmark, (2 pc.)4.00
B6571	65-67	BOLT SET - oil pan, 396/427, (24 pc.)16.50
A6518	63-67	CANISTER - oil filter, w/AC decal PF14196.00
B0059	65-67	CAP - oil filler, 396/427, valve cover, (chrome replacement)15.65
B6544	65-67	CAP - oil filler, 396/427, 'S' logo rivet, black25.90
A6539	63-67	CONVERSION KIT - spin on oil filter29.95
B0060	65-67	DIP STICK - engine oil, 396/427, chrome custom10.95
B6518	65-67	DIP STICK - engine oil, 396/427, w/salmon colored button17.95
B0062	67	ELBOW - oil pressure line w/automatic trans.5.15
A6500	63-67	FILTER - engine oil/ installs in metal cannister8.95
C6503	63-67	FILTER - engine oil, PF25, (spin-on replacement)16.95
B0061	63-67	FILTER - engine oil, PF31, (spin-on replacement)6.30

A6540	63-67	FITTING - oil pressure line, all small block screws into block, 65-67 big block screws into adapter3.00
B6515	63-67	GASKET - oil cap, w/hole3.75
A6511	63-67	GASKET - oil filter bypass valve4.25
A6537	63-67	GASKET - oil pan drain plug3.95
B6573	65-67	GASKET KIT - oil pan, 396/42718.05
B6562	65-67	LINE KIT - oil pressure, 396/427, steel15.00
B6513	65-67	PAN - oil, 396/427219.00
B6529	65-67	PAN - oil, 396/427, non-GM replacement69.95
B6533	65-67	PAN - oil, 396/427, non-GM replacement, chrome79.95
B6503	66-67	PICK UP & SCREEN - oil pan, 42765.00
B0058	65-67	PLUG - engine, located in hole in block near the oil line fitting4.00
A6536	63-67	PLUG - oil drain, in oil pan6.25
B6523	63-67	PLUG - oil drain, magnetic5.95
B6535	65-67	REINFORCEMENT KIT - oil pan, 396/427, 4pc27.20
B6520	65-67	TUBE - oil dipstick, 396/42718.50
A6519	63-67	VALVE - oil filter by-pass w/gasket, (mounts to block)35.75

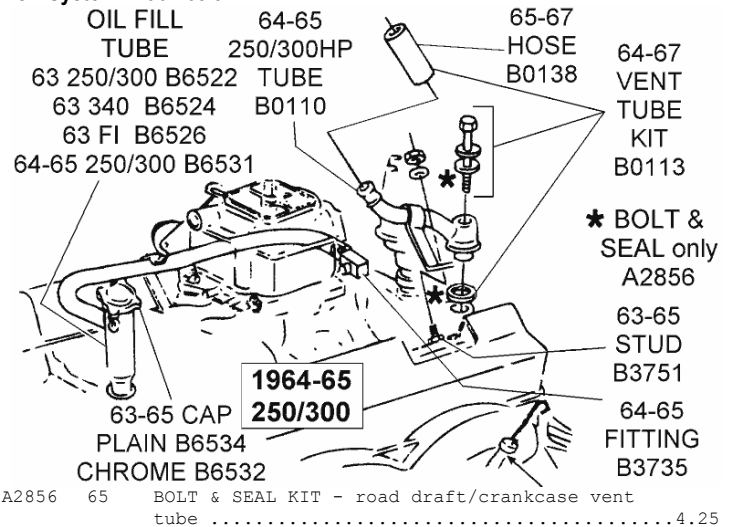
PCV System

PCV System - 1963



A6545	63	CANISTER - oil breather/crank case vent, in lifter galley, all w/327, (recond.)39.00
B0180	63	FITTING KIT - PCV/POWER BRAKE, back of carb (2pc)38.65
B0125	63	FITTING/ADAPTER - PCV valve on back of carburetor, w/o AC7.55
B0146	63	FITTING/ADAPTER - PCV, back of carburetor, w/AC & P.B.34.50
B0137	63	FITTING/ADAPTER - PCV, back of carburetor, w/AC, w/o P.B.29.95
B0106	63	HOSE & GROMMET KIT - crankcase vent tube, (w/GM logo)11.25
B0175	63	HOSE - PCV, oil tube to carburetor, (except FI)8.00
A2876	63	PCV VALVE - silver (on back of carburetor)16.00
B0105	63	TUBE - crankcase vent, rear of block19.05

PCV System - 1964-65 327



A2856	65	BOLT & SEAL KIT - road draft/crankcase vent tube4.25
-------	----	--

B0121 64-65	BRACKET/CLIP - PCV hose, on 3rd intake bolt from front, RH side, 327/250-300hp, 66 427/425hp, front RH side	12.45
A6545 64-65	CANISTER - oil breather/crank case vent, in lifter galley, all w/327, (recond.)	39.00
B0100 64	CLAMP SET - PCV hose, (pr)	3.00
B0130 64-65	FLAME ARRESTOR - all w/fuel injection	29.95
B0106 64E	HOSE & GROMMET KIT - crankcase vent tube, (w/GM logo)	11.25
B6574 64-65	HOSE - oil tube to vacuum restrict fitting 250/300hp	2.95

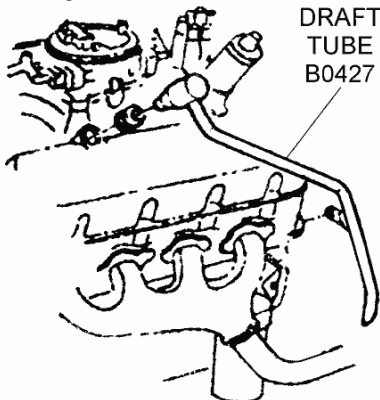
NOTE: B6574 can be cut to length for 64-65 w/fuel injection.

B0176 64-65	HOSE - PCV, w/GM logo, oil filler tube to carburetor, 350/365hp	10.80
B0113 64-65	HOSE, SEAL & BOLT KIT - crankcase vent tube ..	9.75
B3751 64-65	STUD, NUT & WASHER - crankcase vent tube attaching	5.55
B0110 64-65	TUBE - crankcase vent, rear of block, 250/300hp	58.30
B0112 64-65	TUBE - crankcase vent, rear of block, 350/365hp	58.30
B3565 65	TUBE - vent, body below AC slide (RH 1965) ..	1.65

PCV System - 1965-67 396/427 & L88

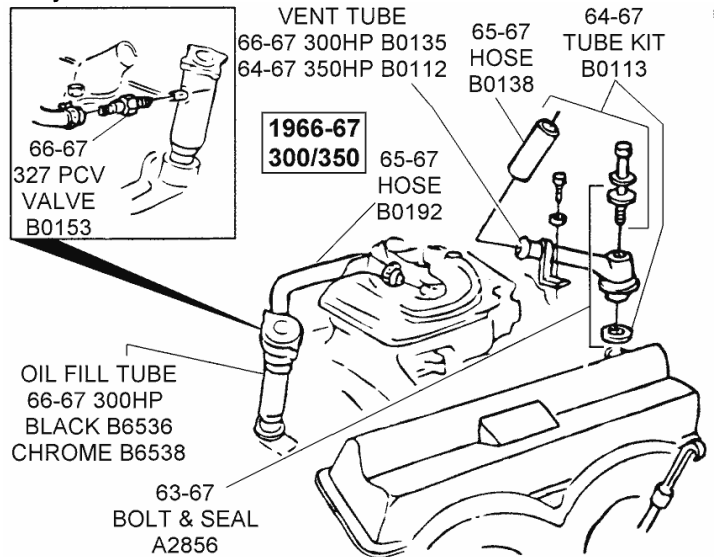
BRACKET		
65-67 396/427 EX. 3X2 B5482	BRACKET	
67 3X2 B5453	66-67 390hp RH carb B0183	66-67 PCV VALVE B0193
	66-67 390hp LH intake B0155	66-67 HOSE B0192
65-67 HOSE B0138		66-67 GROMMET B0160
65-67 ELBOW B0184		65-67 HOSE B2095
63-67 GROMMET A4708		65-67 PIPE B2062
67 CLAMPS B0100	VALVE COVERS	
	65 396, 66 427 B2843	
	65E B2834	
	67 427 painted B2845	
	67 427 chrome B2853	
	66E w/AC indent B2883	

B0155 66-67	BRACKET/CLIP - PCV hose on 2nd intake bolt from front left side, 427/390hp	12.45
B0183 66-67	BRACKET/CLIP - PCV hose RH front carburetor stud, 427/390hp	12.85
B0100 65-67	CLAMP SET - PCV hose, (pr)	3.00
B0184 65-67	ELBOW - PCV, 396/427, 90 degree in RH valve cover	14.85
B0152 65	GROMMET - crankcase vent tube, LH, in valve cover	12.10
B0160 65-67	GROMMET - PCV valve in valve cover	3.25
A4708 65-67	GROMMET - valve cover, RH	5.00
B0138 65-67	HOSE - vent, valve cover to air cleaner	6.00
B0153 66-67	PCV VALVE - CV #726C, NOS	25.00
B0193 66-67	PCV VALVE - CV #736C	8.00
B0431 66	PLUG - hole in air cleaner, L88	10.00
B0151 65	TUBE - crankcase vent, rear of block, 396/425hp	31.40



B0427 66-67	TUBE - road draft, L88, 100% correct	1,200.00
-------------	--	----------

PCV System - 1966-67 327



A2856 66-67	BOLT & SEAL KIT - crankcase vent tube	4.25
B0121 66	BRACKET/CLIP - PCV hose, on 3rd intake bolt from front, RH side, 327/250-300hp, 66 427/425hp, front RH side	12.45
A6545 66-67	CANISTER - oil breather/crank case vent, in lifter galley, all w/327, (recond.)	39.00
B0100 66-67	CLAMP SET - PCV hose, (pr)	3.00
B0192 66-67	HOSE - PCV, (all except B.B. w/ 3x2's)	14.60
B2874 66-67	HOSE - PCV, (cut to fit) (Calif. A.I.R.)	9.00
B0113 66-67	HOSE, SEAL & BOLT KIT - crankcase vent tube ..	9.75
B1093 66-67	PCV VALVE - (repl.)	8.00
B0178 66-67	STUD - crankcase vent tube attaching	7.20
B0135 66-67	TUBE - crankcase vent, rear of block, 300hp ..	58.30
B0112 66-67	TUBE - crankcase vent, rear of block, 350hp ..	58.30
B0201 66-67	TUBE - crankcase vent, welds into air cleaner base	34.50

Pulleys

Pulley: Alternator - 327

B6803 63	FAN - alternator, used/recond.	26.25
B0064 64-67	FAN - alternator, used/recond.	21.05
B6853 64-67	PULLEY - alternator 64 327/365hp w/AC, 64-65 250/300hp w/AC, 65 350/365hp w/AC, 66-67 327/350hp w/AC. 3' O.D. zinc plated	40.35
B6852 65-66	PULLEY W/FAN - alternator, 1965 327/250, 300hp w/AC, 1966 327/300hp, w/AC	42.00
B6850 63-67	PULLEY - alternator, 250/300hp 327 w/o AC, 2 13/16' O.D. zinc plated	35.50
B6802 63-65	PULLEY - alternator, all 327 w/mechanical lifters, 3 5/8' O.D. zinc plated	41.50
B6810 65-67	PULLEY - alternator, special. hi-perf. 327 hydraulic lifters, 3 5/8' O.D. zinc plated ..	42.65
B6811 65	PULLEY - w/fan alternator, 250hp base engine	35.00
B6813 66	PULLEY - w/fan alternator, 250hp base engine, w/stamped part #3843342AJ	35.00
B6815 66	PULLEY - w/fan alternator, 300hp w/AC, w/stamped part #3875968AW	35.00

Pulley: Alternator - 396/427

B6810 65-67	PULLEY - alternator, 65 w/ 396, 66-67 427, w/o power steering, 3 5/8' O.D. zinc plated ..	42.65
B6849 67	PULLEY - alternator, 427 w/AC & w/PS, 3' O.D. zinc plated	47.75
B6802 66-67	PULLEY - alternator, 427 engine, w/PS, 3 5/8' O.D. zinc plated	41.50

Pulley: Engine - 1963-67 327

A6827 63-67	BOLT SET - pulley to balancer, 'E' headmark, (3 pc.)	9.15
B6828 64-65	PULLEY - air conditioning compressor, 327/350-365hp, deep groove cast iron - 6 3/8'	299.95
B6830 63-67	PULLEY - balancer, 327 'add on' for power steering, single groove, stamped steel	57.75
A6820 63-67	PULLEY - balancer/crank shaft, 2 groove, GM replacement 1963-65 w/FI & SP hp 1966-67 327 w/SP hp, w/o PS	58.00

VISIT US ON THE WEB AT
www.ChicagoCorvette.net

B6832	63-66	PULLEY - balancer/crank shaft, 2 groove, GM replacement 1963-66, exc. hp, SP, FI, AC 1963-65 w/PS except SP hp, 1966 327 or 427 w/hp SP hp, PS49.95
A6822	63-67	PULLEY - balancer/crank shaft, 2 groove, w/spec. hi-perf. FI (#987) (as original)104.65
B6831	64-67	PULLEY - balancer/crank shaft, 327 w/AC74.75
B0065	66-67	PULLEY - balancer/crankshaft (327/300hp) single groove46.55
B6895	64-67	PULLEY - water pump, 2 groove, AC & hi-perf., 350/365hp90.10
B6861	64-67	PULLEY - water pump, 250/300hp w/AC, double groove, correct, #68098.95
B0066	63-66	PULLEY - water pump, 63/5 250/300hp,1966 327 W/A.I.R EXCEPT C.A.C-Sp H/Perf #3790356, (7')84.00
B6837	63-65	PULLEY - water pump, 327/250-300hp107.75
A6809	66-67	PULLEY - water pump, 327/300hp, single groove,84.95
A6812	63-67	PULLEY - water pump, dual deep groove 7 1/8' diameter, all w/sp/hi perf [340-375hp] & w/0 ac, # 3770245159.00
B6835	65	PULLEY - water pump, 327/350hp w/PS, #84680.70
B6836	64-67	PULLEY - water pump, 350/365hp, 2 groove, AC & hi-perf., #904113.80
B6899	66-67	PULLEY - water pump, A.I.R. driver, (#235) . 113.45
B6822	66-67	PULLEY - water pump, front, w/hi-perf., 427 & A.I.R., #42798.70
A6828	63-67	PULLEY - water pump, hi-perf., 2 groove, (GM repl.)88.40
A6810	66-67	REINFORCEMENT - water pump pulley, 327 w/o hi-perf6.95

Pulley: Engine - 1965 396, 1966-67 427

A6827	65-67	BOLT SET - pulley to balancer, 'E' headmark, (3 pc.)9.15
B6860	65-67	BOLT SET - pulley to balancer, 396/427, 'TR' headmark, (3 pc.)10.30
B6826	65-67	PULLEY - balancer, 396/427, cast iron, 2 groove174.75
B6814	65-66	PULLEY - water pump, 2 groove, w/o AC, #3864480132.00
B6816	67	PULLEY - water pump, 2 groove, w/o AC, #656 197.10
B6822	66-67	PULLEY - water pump, front, w/hi-perf., 427 & A.I.R., #42798.70
B6805	66-67	PULLEY - water pump, GM replacement, w/o AC 124.00
B6818	66-67	PULLEY - water pump, w/AC, 3 groove235.35
A6810	66-67	REINFORCEMENT - water pump, 427 w/AC6.95

Pulley: Idler - 1963-65 327

A0027	63-65	BEARING - idler pulley (327)25.95
A6829	63-65	BOLT & WASHER KIT - idler pulley mounting2.00
B6838	63E	PULLEY - idler, hi-perf., w/bracket, zinc finish130.00
B6840	63L-65	PULLEY - idler, hi-perf., w/bracket, black finish134.50
A6826	63-65	STUD - idler pulley bracket mount19.35

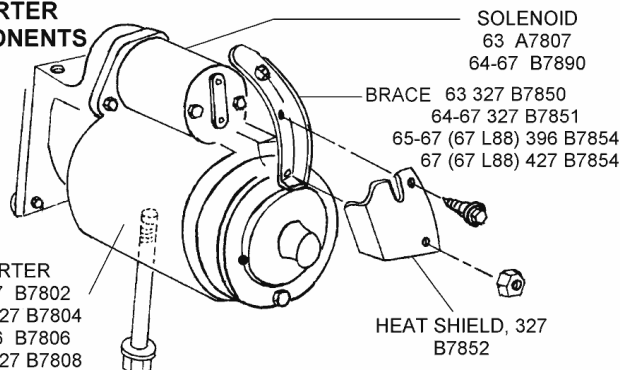
Pulley: Power Steering Pump

B6612	63-67	PULLEY - power steering pump, all 327 base engine62.95
B6614	63-67	PULLEY - power steering pump, 327 special hi-perf95.00
B6616	65-67	PULLEY - power steering pump, 396/427109.95

Starter Motor

Starter Motors: 327

STARTER COMPONENTS



B7810	63-67	BOLT - starter brace5.95
B7803	65-67	BOLT - starter mount, 1 27/32' long7.00

B7807	65-67	BOLT - starter mount, 4 21/32' long, (2 req.) (ea)6.95
B7850	63-64	BRACE - starter motor, 32714.10
B7851	65-67	BRACE - starter motor, 32714.00
A7817	63-67	CAP - starter solenoid w'/Delco made in USA' logo/NOS9.95
A0631	63-67	NUT & WASHER SET - starter solenoid terminals2.10
A7811	63-67	REBUILD KIT - starter, includes brushes, bushings, washers, snap rings & starter drive 19.95
A7800	63-67	RESTORATION - of your original starter unit, includes: disassembly & cleaning, field inspection & repair, reconditioned armature, new starter drive, solenoid & custom bushings, assembly & outer case detailing/load testing99.95
B7813	64-67	SCREW - starter solenoid shield, 3271.00
B7852	64-67	SHIELD - heat, starter solenoid12.00
A7819	63-67	SHIM KIT - starter, 4 various thickness, w/o offset9.35
A7805	63E	SOLENOID - starter, GM #1119910, original restored w/correct cap & Delco logo69.95
B788863L-64E		SOLENOID - starter, GM #1114304 / original restored w/correct end cap & Delco logo99.95
B7890	64L-67	SOLENOID - starter, GM #1114356, NOSCALL
B7801	64L-67	SOLENOID - starter, GM #1114356, original restored w/correct Bakelite cap & DELCO logo 69.95
A7821	63-67	SOLENOID - starter, generic replacement38.95
B7802	63	STARTER - all hp's, #1107242, restored, DATED - inquire about dates available249.95
B7804	64-67	STARTER - all hp's, #1107320, restored, DATED - inquire about dates available - 100's available195.00
B7815	63-67	STARTER - remanufactured, w/HD clutch84.95
Remanufactured original starters with correct numbers - Dated - 1000's in stock! Most dates available - CALL!		
A7825	63-67	STARTER - remanufactured, w/o HD clutch89.95

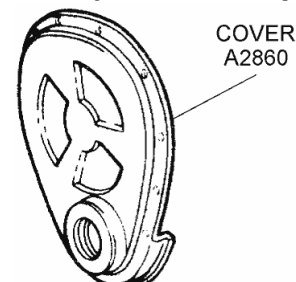
Starter Motors: 396/427

B7800	65-67	BOLT - starter mounting, 3 5/8', (2 req.) (ea)3.95
B7854	65-67	BRACE - starter motor, 396 & 67 L8817.45
B7809	66-67	BRACE - starter motor, 427 w/automatic trans15.80
B7853	66-67	BRACE - starter motor, 427, w/manual trans ..9.75
A7817	65-67	CAP - starter solenoid w'/Delco made in USA' logo/NOS9.95
B7880	66-67	CLAMP/CLIP - starter wires cable to solenoid, w/42717.45
B7818	65-67	GROMMET - starter case / rectangular, for field terminal all 1107365 starters1.95
A7809	63-67	NUT & LOCK WASHER SET - starter solenoid terminals1.60
A7811	65-67	REBUILD KIT - starter, includes brushes, bushings, washers, snap rings & starter drive 19.95
A7800	65-67	RESTORATION - of your original starter unit, includes: disassembly & cleaning, field inspection & repair, reconditioned armature, new starter drive, solenoid & bushings, assembly & outer case detailing/testing99.95
A7819	65-67	SHIM KIT - starter, 4 various thicknesses, w/o offset9.35
B7890	65-67	SOLENOID - starter, GM #1114356, NOSCALL
B7801	64L-67	SOLENOID - starter, GM #1114356, original restored w/correct Bakelite cap & DELCO logo 69.95
A7821	65-67	SOLENOID - starter, generic replacement38.95
B7808	66-67	STARTER - restored - 427, all except L88 #1107365 / dated - call about available dates395.00
B7812	67	STARTER - #1108351 restored, L88 W/M22 transmission, restored, call on dates available595.00

NOTE: There is a 4 week delivery time on custom built starters.

Timing Chain Cover

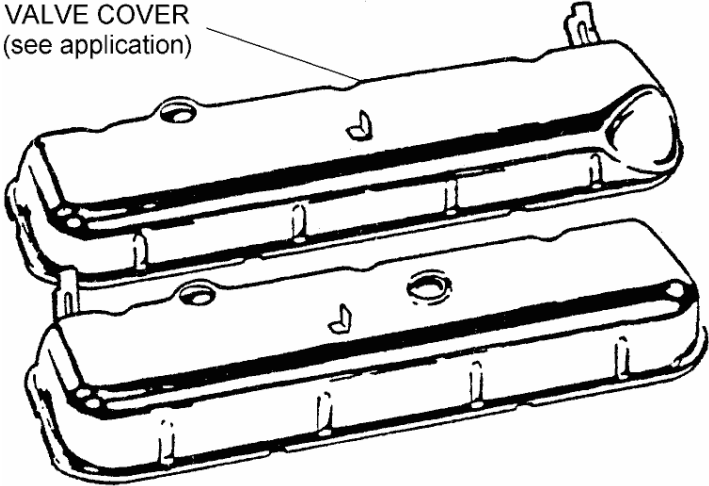
B2859	63-67	BOLT SET - timing chain cover, 327, (12 pc.) . 9.30
B6580	63-67	BOLT SET - timing chain cover, 396/427, (10 pc.)7.80
A2883	63-67	COVER - timing chain, 327 except hi perf74.50



A2860 63-65	COVER - timing chain 327 HI PERF W/8' balancer	119.95
B2838 66-67	COVER - timing chain, 327/350HP w/ special hi-perf	71.60
B3036 65	COVER - timing chain 396 w/o dowel pin holes, reconditioned original	195.00
B2837 66-67	COVER - timing chain, 427 w/o dowel pin holes, specify horsepower, reconditioned original	159.95
A2887 63-67	DOWEL PIN SET - timing chain cover, installs in block, 327, (2 pc.)	3.65
A2861 63-67	GASKET SET - timing chain cover, 327	16.50
A2863 65-67	GASKET SET - timing chain cover, 396/427	25.00
B2835 68-69	TAB - timing chain cover all 68-69 427, all 327/350 w/spec. hi-perf	20.20

Valve Cover

Valve Covers: 327
VALVE COVER
(see application)



A2870 63E	BOLT SET - aluminum valve covers, (8 pc.)	3.95
B2844 63-67	BOLT SET - aluminum valve covers, 'M' headmark, (8 pc.)	9.00
A2872 63	BOLT SET - steel valve covers, (8 pc.)	17.95
B2815 63-67	BOLT SET - steel valve covers, generic	3.20
A2006 63-67	BRACKET SET - temperature wire on valve cover, (pr)	8.00
B2874 66-67	HOSE - PCV, (cut to fit) (Calif. A.I.R.)	9.00
B0138 65-67	HOSE - vent, valve cover to air cleaner	6.00
A2874 63-65	REINFORCEMENT SET - steel valve cover bolts (8 pc)	6.95
B2850 66-67	REINFORCEMENT SET - 327 steel valve cover bolts	6.50
A2866 63-66	VALVE COVER - aluminum, original, w/casting seams thru 'O' (ea)	145.70
A2881 63-66	VALVE COVER - aluminum, original, w/o casting seam thru 'O', (as original) used, reconditioned, nice original (each)	174.95
A2829 63E	VALVE COVER SET - steel 250-300HP / reconditioned originals / pr	135.00
B2801 63L-65	VALVE COVER SET - steel 250-300HP / reconditioned originals / pr	135.00

Valve Covers: 396/427

B2882 65-66	BOLT SET - valve covers, 396/427, 'RBW' headmark, (14 pc.)	13.35
B2880 65-67	BOLT SET - valve covers, 396/427, (repl) (14 pc.)	6.05
B2884 67	BOLT SET - valve covers, 427, 'RBW' headmark, (14 pc.)	14.65
B2820 65-67	BOLT SET - valve covers, 427, 'TR' headmark, (14 pc.)	18.05
B6544 65-67	CAP - oil filler, 396/427, 'S' logo rivet, black	25.90
G5101	FORM-A-GASKET - Permatex no. 2 sealant, non-hardening sealant for use w/cut gaskets, 1.5 oz. tube	4.10
G5100	FORM-A-GASKET - Permatex no.1 sealant, hard setting sealant for rigid materials and flanges, 1.5 oz. tube	4.10
B2847 68-74	GASKET SET - valve covers, cork w/silver sealant, as original, (pr)	21.30
B0152 65	GROMMET - crankcase vent tube, LH, in valve cover	12.10
B0160 67	GROMMET - PCV valve, w/3x2, RH, 427, (ea)	3.25
B2874 66-67	HOSE - PCV, (cut to fit) (Calif. A.I.R.)	9.00
B0173 67	HOSE - PCV, RH side intake manifold to RH valve cover	15.70

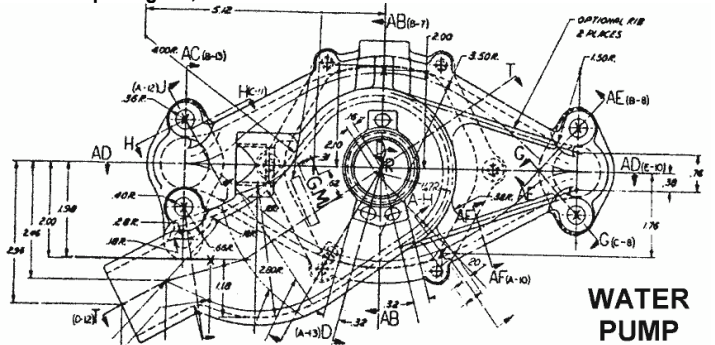
B0138 65-67	HOSE - vent, valve cover to air cleaner	6.00
B2886 65-67	REINFORCEMENT SET - valve cover bolts, 396/427, (14 pc.)	12.25
B5458 65-66	SUPPORT - spark plug wire retainer on valve cover, 3+1 wire stand, 396/427	3.50
B5456 67	SUPPORT - spark plug wire retainer on valve cover, 396/427 (4 wire, w/stand) (ea)	3.50
B5422 65-67	SUPPORT - spark plug wire retainer, LH & RH front on valve cover, 396/427, 2 wire	3.50
B2800 65E	VALVE COVER - 396 w/o drippers, LH, exact reproduction, US made	185.00
B2816 65E	VALVE COVER - 396 w/o drippers, RH, exact reproduction, US made	165.00
B2852 65-66	VALVE COVER - 396/427, LH w/dripper, exact reproduction, US made	189.65
B2854 65-67	VALVE COVER - 396/427, RH w/dripper, exact reproduction, US made	165.00
B2836 66	VALVE COVER - 427 w/dripper, RH, w/AC, exact reproduction, US made	219.95
B2842 66	VALVE COVER - 427 w/dripper, RH, w/AC indent & A.I.R. bracket, exact reproduction, US made	249.95
B2839 66-67	VALVE COVER - 427 w/dripper, RH, w/A.I.R. (smog) bracket, exact reproduction, US made	249.25
B2856 67	VALVE COVER - 427, LH w/dripper, exact reproduction, US made	189.95
B2834 65E	VALVE COVER SET - 396 w/o drippers, American made / identical to original (pr)	304.95
B2883 66E	VALVE COVER SET - w/AC indent, American made / identical to original (pr)	369.95
B0685 65-66	VALVE COVER SET - 396/427 w/drippers, American made / identical to original, (pr)	379.95
B2843 65-66	VALVE COVER SET - 396/427 w/drippers, imported (pr)	139.95
B2897 65-67	VALVE COVER SET - chrome plated w/P.B. indent, w/drippers, imported, pr	134.98
B2853 67	VALVE COVER SET - 427/L89, chrome, American made, identical to original	389.95
B0686 67	VALVE COVER SET - 427 w/drippers, American made / identical to original (pr)	379.95
B2845 67	VALVE COVER SET - 427 w/drippers, imported (pr)	139.95

Water Pump & Related

Water Pump: Fasteners & Fittings

A5131 63-67	BOLT - water pump, 3/8'x16x1 3/4', 'TR' headmark	2.95
A9150 63-67	BOLT - water pump/lower RH, 'TR' headmark	4.35
B5113 64-67	BOLT KIT - water pump mounting, 327 w/AC, (4 pc.)	13.45
A5107 63-67	BOLT KIT - water pump mounting, all 327 exc. w/AC or A.I.R., 'TR' headmark, (4 pc.)	13.75
B5196 65-67	BOLT/STUD KIT - water pump, 396/427 w/o AC, 3 bolts, 'TR' headmark, (1 stud)	14.00
B5195 65-67	BOLT/STUD KIT - water pump, 427 w/AC, 2 studs, 2 bolts 'TR' headmark, (4 pc.)	24.25
B2041 63-67	FITTING - water pump, 20 degree nipple, w/sp. hi-perf, by-pass, stamped with 'CP' logo as original on production Corvettes	31.45
B2061 63-67	FITTING - water pump, 20 degree nipple, w/sp. hi-perf, by-pass	20.65
B5120 63-67	FITTING - water pump for heater hose on w/AC 327/350, correct	14.70
B2062 65-67	PIPE - water pump & manifold bypass, 396/427 stainless steel, except A.I.R.	6.75
B9160 66-67	PIPE - 90 degree 427 w/A.I.R., water pump to manifold, top of pump	28.95
B9150 65-67	STUD - 396/427 water pump attaching upper, RH	6.25

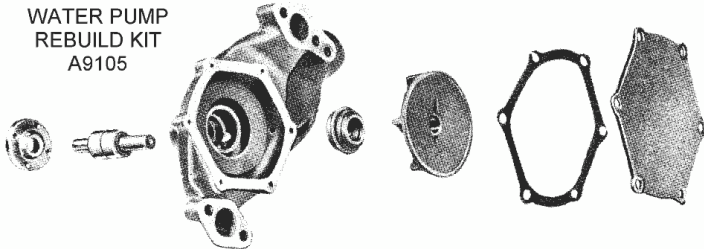
Water Pump: Original, With Correct Part Number & Dates



WATER PUMP

A5522 63-67	FITTING/ADAPTER - heater hose, 3/4' to 1/2' NPT	7.00
G5101	FORM-A-GASKET - Permatex no. 2 sealant, non-hardening sealant for use w/cut gaskets, 1.5 oz. tube	4.10
G5100	FORM-A-GASKET - Permatex no.1 sealant, hard setting sealant for rigid materials and flanges, 1.5 oz. tube	4.10
B9160 66-67	PIPE - 90 degree, water bypass, all 427 w/A.I.R	28.95
B9104 63-66E	WATER PUMP - 327 340/375hp - GM #3859326 w/o date - restored	274.95
B9108 66L-67	WATER PUMP - 327/350HP GM #3859326 - restored / dated: call for dates available .	374.95
B9102 63-64L	WATER PUMP - 327 250/300hp -GM #3782608 - w/o date code / restored -all w/cast iron intake	124.95
B9106 64L-67	WATER PUMP - 327/300hp GM #3782608, dated: call for available dates / dating began march 1964	159.95
B9153 65	WATER PUMP - 396/425HP, GM #3856284 restored / dated, call for available dates .	359.95
B9110 66	WATER PUMP - 427 all hp's, GM #3856284 restored / dated, call for available dates .	319.95
B9107 67	WATER PUMP - 427 all hp's, GM #3856284 restored / dated: call for available dates .	329.95

WATER PUMP REBUILD KIT A9105









A9105 63-67	REBUILD (Super) KIT - water pump, includes correct pan head screws, star lock washers, rear flat steel plate, gaskets, impeller, bearing seal & shaft	69.95
B9105 65-67	REBUILD KIT - water pump, 427, w/bearing seal, correct backing plate, screws, gaskets & instructions	69.95

Water Pump: Remanufactured Replacements

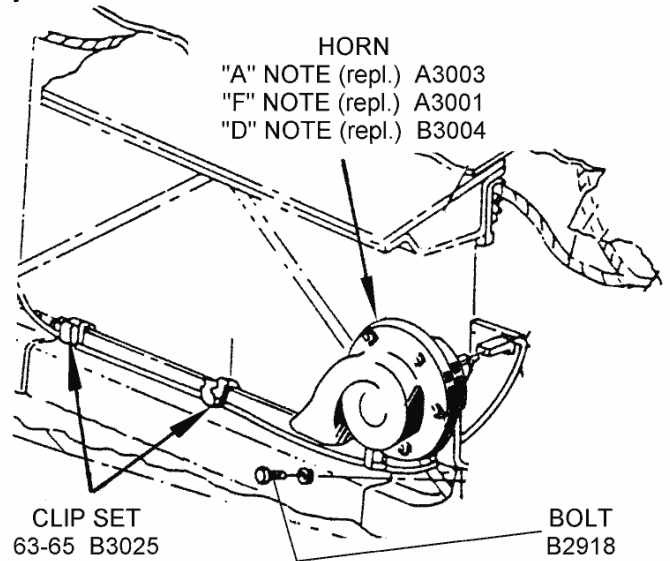
A9110 63-67	WATER PUMP - remanufactured 250/300HP (repl.)	49.95
A9103 63-67	WATER PUMP - remanufacture 340/375hp w/correct 1/2' pipe top outlet (repl.)	69.95

ENGINE COMPARTMENT: SPLASH SHIELDS, HORN SYSTEM, GROMMETS, TIE STRAPS

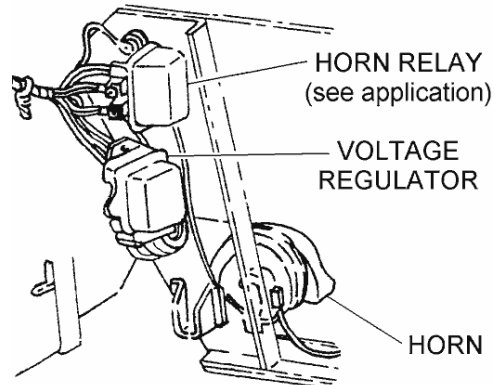
Grommets

					
B0312 63-65	B0313 66-67	B4893 63-67	B4704 63-67	B1419 65-66	B4710 63-67
GROMMET - A/C fitting through core support, (repl.)	GROMMET - A/C fitting through core support, (repl.)	GROMMET - deck lid release cable, (2 req.) (ea)	GROMMET - firewall, hood release cable	GROMMET - parking brake cable, at firewall, (after 4/65) (repl.)	GROMMET - washer/water hose firewall, (2 req.) (ea)
15.50	15.55	1.95	1.95	1.50	3.25
B1317 63	B1417 63-67	PLUG - for hole above clutch pedal			
GROMMET SET - rear parking brake cable at frame, (repl.) (pr)		3.90			

Horn System



B2918 63-67	BOLT - horn attaching, 'WB' headmark, (2 req.) (ea)	1.25
B3029 66-67	BRACKET & RIVET KIT - horn mount RH all with a/c	29.50
B3025 63-65	CLIP SET - horn wire, (5 pc.)	8.10
B3026 66-67	CLIP SET - horn wire, (2 pc.)	3.85
A3041 63-67	HORN - hi note, w/bracket, does not look like original	46.95
A3042 63-67	HORN - low note, w/bracket, does not look like original	46.95
B3041 64-67	HORN SET - hi/low note w/Delco Remy logo & correct metal brackets	150.00
A3001 63-67	HORN SET - hi/low note, 1964-67 shape, made of metal with universal brackets	130.00



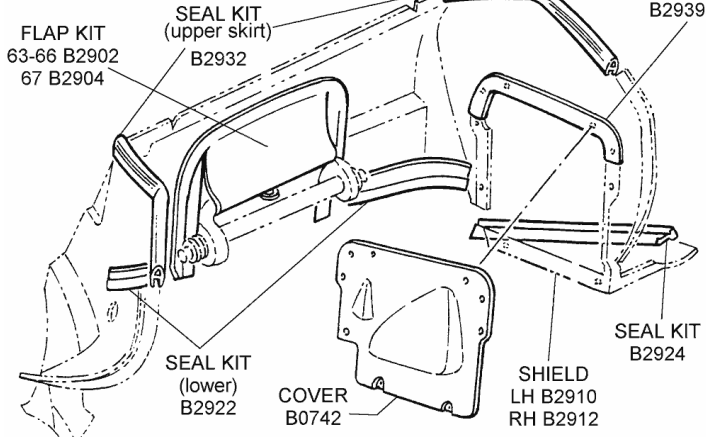
B8646 63-65	HORN RELAY - original #1115824, restored	64.95
B8614 63-65	HORN RELAY - replacement	27.80
B3042 66-67	HORN RELAY - w/correct Delco Remy cover & no part number	74.95
B0664 66	HORN RELAY - original #1115837, restored, w/solid mounting tabs on cover	139.95
B0665 67	HORN RELAY - original #1115837, restored, w/split mounting tabs on cover	149.95
B8615 66-67	HORN RELAY - replacement, 2 bottom slide on terminals & 2 screw on terminals	29.95
A3085 63	REPAIR KIT - horns, for servicing of 2 original horns, includes rivets & gaskets ...	16.50
B3031 64-67	REPAIR KIT - horns, for restoration of 2 horns, includes rivets, metal diaphragm, stud & instructions	36.25
B3002 63-67	SCREW - horn relay mount	1.00

Seal Kits - Engine Compartment

B2958 63	SEAL KIT - engine compartment w/ AC, (13 pc)	57.00
B2962 64-65	SEAL KIT - engine compartment w/ AC (17 pc) .	62.70
B2968 66	SEAL KIT - engine compartment w/ AC, 327, (18 pc)	90.05
B2974 67	SEAL KIT - engine compartment w/ AC, (327), (18 pc)	90.05
B2970 66	SEAL KIT - engine compartment w/ AC 427, (20 pc)	90.05
B2976 67	SEAL KIT - engine compartment w/ AC, (427), (21 pc)	94.50
B2956 63	SEAL KIT - engine compartment w/o AC (16 pc .	46.10

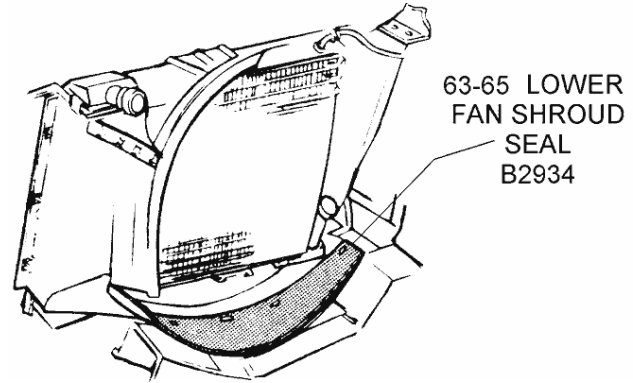
VISIT US ON THE WEB AT
www.ChicagoCorvette.net

SUSPENSION SEALS



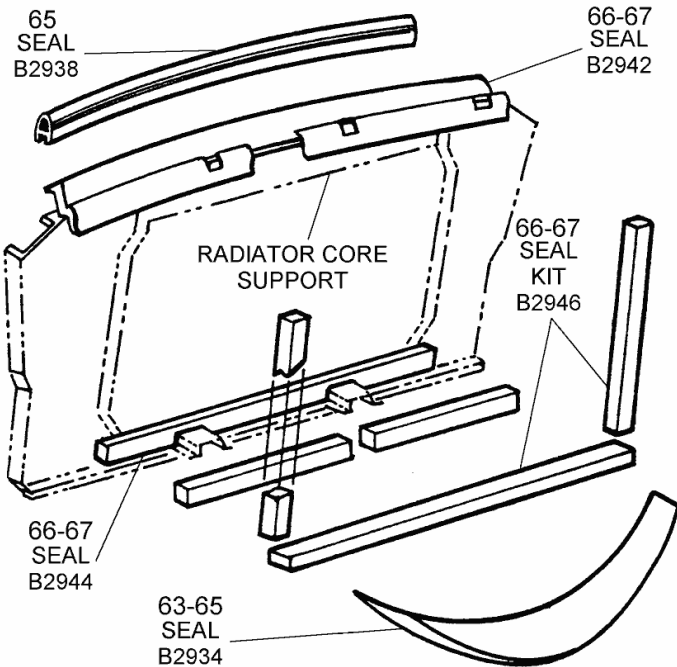
B2960	64-65	SEAL KIT - engine compartment w/o AC (16 pc)	57.59
B2966	66	SEAL KIT - engine compartment w/o AC 327/427, (15 pc)	50.00
B2972	67	SEAL KIT - engine compartment w/o AC 327/427, (15 pc)	62.50
B2922	63-67	SEAL KIT - lower inner fender frame, (4 pc.)	9.50
B2924	63-67	SEAL KIT - outer splash shield w/strip, (pr)	10.95
B2944	66-67	SEAL KIT - radiator core support, 327 w/AC	11.60
B2946	66-67	SEAL KIT - radiator core support, 427 w/AC, (3 pc.)	16.75
B2932	64-67	SEAL KIT - upper inner, fender to fender, (4 pc.)	14.75
B2939	63-67	SEAL/GASKET - battery cover, w/AC or 396/427	8.00

B8717	63-65E	BOOT - clutch rod, w/retainer & screws	19.00
B2909	64-67	BRACKET - inner splash shield, w/rivets, RH	11.35
B2908	64-67	BRACKET - inter splash shield/gas pedal and plate mount, LH	10.05
B2902	63-66	FLAP KIT - w/staples, A-arm, (to inner fender) (pr)	14.00
B2904	67	FLAP KIT - w/staples, A-arm, (to inner fender) (pr)	14.00
B2950	63-65E	RETAINER KIT - clutch rod boot, w/screws	9.10
B2991	63-67	SCREW SET - front inner splash shield	13.25
B2990	63-67	SCREW SET - front outer splash shield	7.25
B3499	63-67	SCREW SET - inner splash shields, front, (repl.)	8.35
B2906	63	SEAL - front inner fender, lower, w/raised ribs & staples	8.75
B2926	63-67	SEAL - fuse box on firewall	4.35

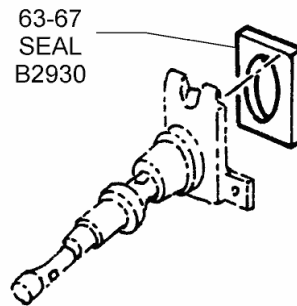


B2934	63-65	SEAL - lower fan shroud, 327, w/staples	11.75
B2937	65	SEAL - radiator fan shroud, lower, 396	12.95
B2938	65	SEAL - radiator support, upper, 396	14.65
B2943	66-67	SEAL - radiator shroud, top rear edge, 427, w/AC	6.00

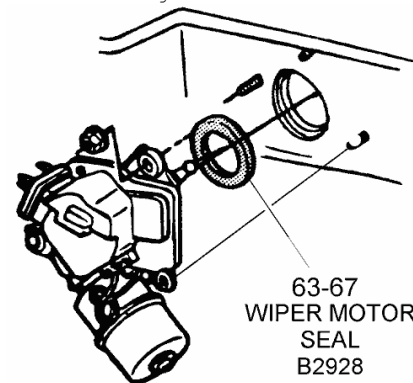
Splash Shields & Individual Seals



B0700	64-67	BOLT - splash shield, outer, 'E' headmark w/washer, (8 req.) (ea)	1.00
B0760	63-67	BOLT SET - inner splash shields, 'RBW' hm w/washers, (8 pc.)	10.90

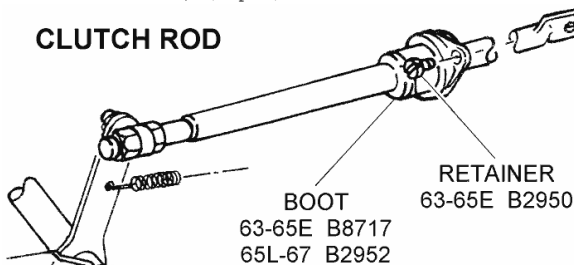


B2930	63-67	SEAL - steering column at firewall	5.80
-------	-------	------------------------------------	------



B2928	63-67	SEAL - wiper motor on firewall	3.95
-------	-------	--------------------------------	------

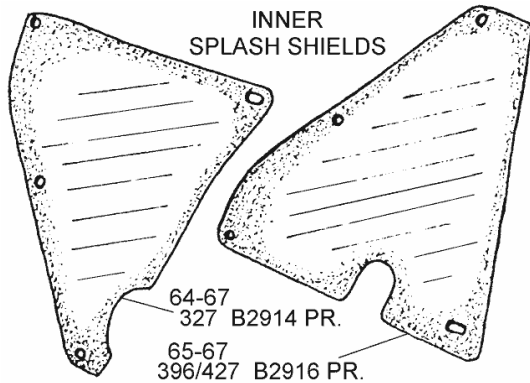
CLUTCH ROD



B2952	65-67	BOOT - clutch rod	20.20
-------	-------	-------------------	-------



B2910	63L-67	SHIELD - splash, front, outer, LH	28.00
B2912	63-67	SHIELD - splash, front, outer, RH	28.00
B2901	64-67	SHIELD - splash, inner, LH, all	20.00
B2903	64-67	SHIELD - splash, inner, RH, all 327	18.10
B2905	64-67	SHIELD - splash, inner, RH, all 396/427	18.00



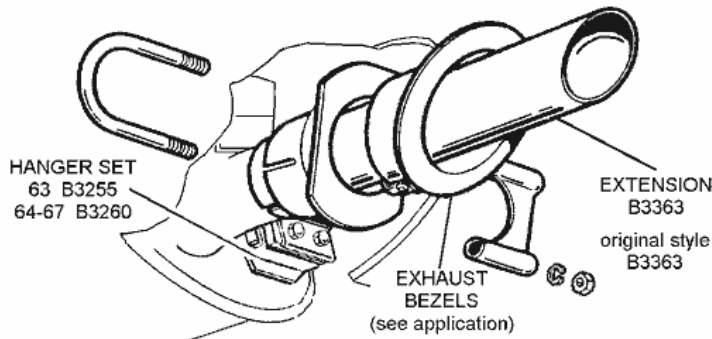
- B2914 64-67 SHIELD SET - splash, inner, 327, (pr)37.95
- B2916 65-67 SHIELD SET - splash, inner, 396/427, (pr)41.00
- A2606 63-67 STAPLE SET - splash shield seals, (25 pc.) ...4.95

Tie Straps

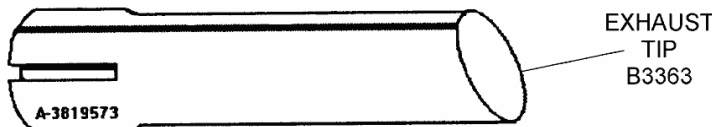
- B2985 63-64 TIE STRAP - fuel overflow hose, white plastic, (ea)1.90
- B2028 64-67 TIE STRAP - overflow tank (pr)9.85
- B2986 65-67 TIE STRAP - plastic push-in type, black, (ea) 1.60
- B2984 65-67 TIE STRAP - fuel overflow hose2.25
- B2987 66-67 TIE STRAP - 427 black plastic2.00
- B2980 63E TIE STRAP KIT - wire harness, (16 pc.)24.50
- B2981 63L-64 TIE STRAP KIT - wire harness, (14 pc.)16.25
- B2982 65-67 TIE STRAP KIT - wire harness, 327, (14 pc.) .17.50
- B2983 66-67 TIE STRAP KIT - wire harness, 427, (16 pc.) .33.10
- B5136 63-67 TIE STRAP SET - aluminum, for heater hose ...22.50

EXHAUST

Exhaust Bezels & Extensions



- B3268 64-65 BEZEL - exhaust, (in rear valance), LH69.95
- B3269 64-65 BEZEL - exhaust, (in rear valance), RH69.95
- B3295 66-67 BEZEL - exhaust, (in rear valance), LH52.95
- B3277 66-67 BEZEL - exhaust, (in rear valance), RH52.95
- B3234 63 BEZEL SET - exhaust, (in rear valance), pr .129.35
- B3210 64-65 BEZEL SET - exhaust, (in rear valance)(pr) .129.00
- B3287 63-67 EXHAUST TIP SET - steel/chrome plated as original/magnetic, no part number59.00
- B3233 63-67 EXHAUST TIP SET - exhaust pipes, stainless steel, (pr)37.25



- B3363 63-67 EXHAUST TIP SET - exhaust pipe, stainless steel, correct thickness w/welded seams & part number (A-3819573) stamped on it, (pr)49.95
- B3263 66-67 NUT SET - exhaust bezels, (6 pc.)1.80
- B3445 63-65 SCREW SET - exhaust bezels, (6 pc.)4.00
- B3264 63-65 SCREW SET - w/J nuts, exhaust bezels, (12pc.) 5.00

Exhaust Hangers & Supports

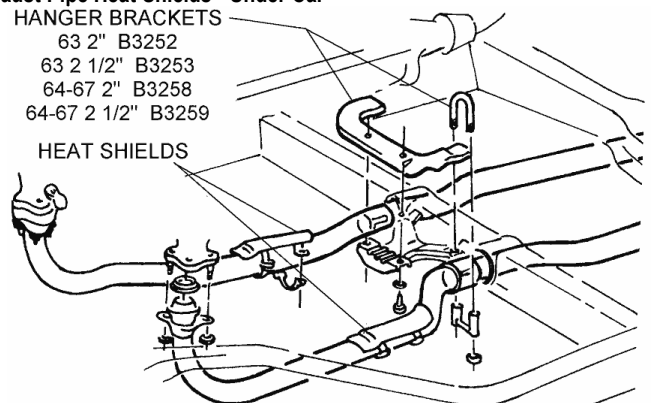
- B3270 63 BOLT, NUT & WASHER KIT - rear exhaust hangers 9.65
- B3498 64-67 BOLT, NUT & WASHER KIT - rear exhaust hangers 8.50
- A3162 63-67 CLAMP - exhaust 2.5', heavy duty (ea)3.30
- B3166 63-67 CLAMP - exhaust pipe, 2 1/2' guillotine style, as original4.05

- B3165 63-67 CLAMP - exhaust pipe, 2' guillotine style, as original2.85
- A3510 63-67 CLAMP - exhaust, 2'2.50
- A3278 63-67 CLAMP/'U' BOLT - 2 1/2', stainless steel, (ea) 7.95
- A3274 63-67 CLAMP/'U' BOLT - 2', stainless steel, (ea)7.95
- A3159 63-67 CLAMP/'U' BOLT - exhaust, 2 1/2'1.50
- A3134 63 FLANGE - 2 1/2', exhaust pipe, (flat type) ...8.75
- B3252 63 HANGER W/CLAMPS - front 2' center153.25
- B3253 63 HANGER W/CLAMPS - front 2 1/2' center153.25
- B3258 64-67 HANGER - front, center, 2'35.20
- B3259 64-67 HANGER - front, center, 2 1/2'31.90
- B3255 63 HANGER SET - rear muffler, (pr)60.00
- B3260 64-67 HANGER SET - rear muffler w/mounting hardware, (pr)28.25

Exhaust Mufflers - Pairs

- B6539 63-67 MUFFLERS - 2' aluminized, 63/5 3&4 speed, automatic 66/7 automatic, pr139.05
- B6545 63-67 MUFFLERS - 2 1/2' aluminized, pr139.40
- B6553 63 MUFFLER SET W/SECONDARY PIPES - 2'. oem style, aluminized w/secondary pipes welded on, pr267.85
- B6549 63 MUFFLER SET W/SECONDARY PIPES - 2 1/2'. oem style, aluminized w/secondary pipes welded on, pr267.85
- B6551 64-67 MUFFLER SET W/SECONDARY PIPES - oem style 2' aluminized w/secondary pipe welded on, 64/5 327/250hp automatic or 1966/7 w/automatic, pr267.85
- B6546 64-67 MUFFLER SET W/SECONDARY PIPES - oem style 2 1/2' aluminized w/secondary pipe welded on, 64/5 327/250hp automatic or 1966/7 w/automatic, pr267.85

Exhaust Pipe Heat Shields - Under Car

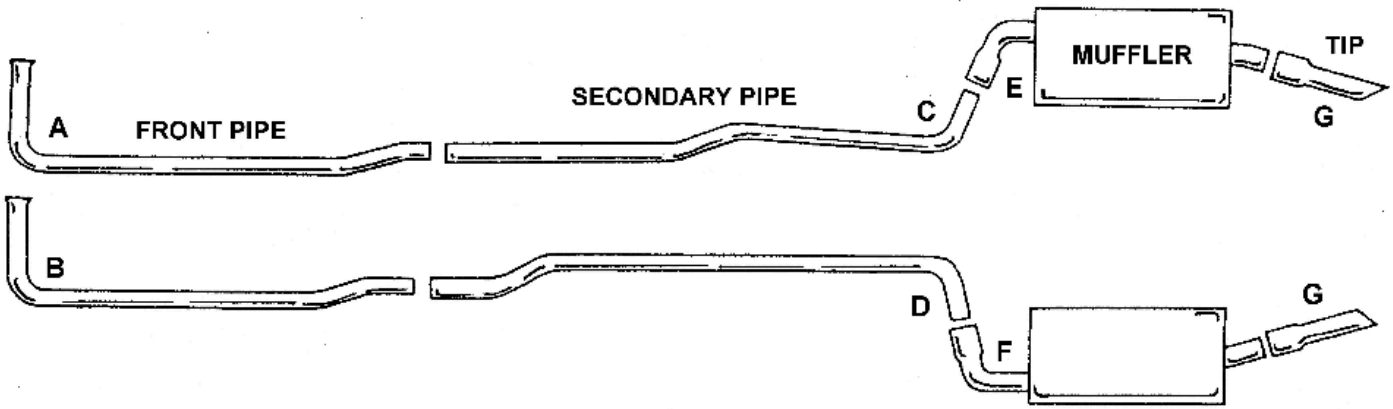


1963-67 EXHAUST COMPONENTS

- B3274 63-67 SCREW SET - exhaust heat shields, (4 pc.) ...2.25
- B3237 63-64 SHIELD KIT - heat, exhaust pipe, 2', (pr) ...44.00
- B3240 63 SHIELD KIT - heat, exhaust pipe, 2 1/2', (pr) 56.90
- B3241 64-65 SHIELD KIT - heat, exhaust pipe, 2 1/2' 327/396, (pr)64.95
- B3238 65-67 SHIELD KIT - heat, exhaust pipe, 2', (pr) ...45.00
- B3242 66-67 SHIELD KIT - heat, exhaust pipe, 2 1/2', 327/427, (pr)49.85
- B3239 63 SHIELD KIT - heat, exhaust pipe, rear, inside body on exhaust62.00
- B3220 63-67 STRAP & SCREW KIT - exhaust heat shield, stainless steel12.70

Exhaust Pipes - Front & Secondary, Aluminized

- B3330 63 PIPE SET/FRONT - 2' 327, pr126.55
- B3334 63 PIPE SET/FRONT - 2 1/2' 327, pr121.75
- B3339 64-67 PIPE SET/FRONT - 327/250HP 2' 64/5 3 & 4 speed & 64/7 w/automatic transmission, pr .121.75
- B0359 64-65 PIPE SET/FRONT - 327/300-360HP 2 1/2' 3&4 speed or automatic transmission, pr140.25
- B3347 65-67 PIPE SET/FRONT - 396, 427 w/manual transmission, 2.5', pr150.10
- B3349 66-67 PIPE SET/FRONT - 327 2-2 1/2' w/3&4 speed, pr127.75
- B6525 66-67 PIPE SET/FRONT - 427 w/automatic transmission, pr150.10
- B3332 63 PIPE SET/SECONDARY - 327 2', pr92.80
- B6553 63 PIPE SET/SECONDARY W/MUFFLERS - 2' aluminized w/secondary pipes welded on, pr .267.85
- B3336 63 PIPE SET/SECONDARY - 327 2 1/2', pr92.80
- B6549 63 PIPE SET/SECONDARY W/MUFFLERS - 2 1/2'. oem style, aluminized w/secondary pipes welded on, pr267.85



All systems include header pipe flanges, sleeves, donut gaskets and clamps. Hangers and exhaust tips are not included. All our systems feature aluminized components. Our aluminized pipe system is 14 gauge (.070) and will last twice as long as standard carbon systems.

Chicago Corvette now offers a "Total" Exhaust system kit. Our complete system, as listed in this table, includes a heat riser with gasket, center and muffler hangers and stainless steel exhaust extensions. To order, add "T" to the system number from this page.

1963 2" exhaust system, add \$236.50 • 1964-67 2" exhaust system, add \$106.25
 1963 2.5" exhaust system, add \$244.25 • 1964-67 2.5" exhaust system, add \$104.95

YEAR	APPLICATION	FRONT PIPE (pair)	SECONDARY PIPE (pair)	MUFFLER (pair)	COMPLETE SYSTEM
63	Lo-perf. (250 hp) 3 spd. 4 spd. & auto. 2"	B3330	B3332	B6539	B3200
63	Lo-perf. (250 hp) 3 spd. 4 spd. & auto, w/welded OEM style muffler, 2"	B3330	PART OF MUFFLER*	B6553	B3368
63	Hi-perf., sp. hi-perf. (300/340) 2.5"	B3334	B3336	B6545	B3204
63	Hi-perf., sp. hi-perf. w/welded OEM style muffler, 2.5"	B3334	PART OF MUFFLER*	B6549	B3202
NOTE: All Chicago Corvette Supply 1963 exhaust systems have a "kick" to clear the floor tool tray. We believe that all 1963's, except possibly very late cars (unverified), were delivered this way whether early or late.					
64-65	Lo-perf. (250 hp) 3 spd. & 4 spd. & auto. 2"	B3339	B3341	B6549	B3216
64-67	Lo-perf. (250 hp) 3 spd. 4 spd. & auto, w/welded OEM style muffler, 2"	B3339	PART OF MUFFLER*	B6546	B3369
64-65	Hi-perf. (300/365 hp) sp. hi-perf., 2.5"	B0359	B3345	B6545	B3232
64-65	Hi-perf. (300/365 hp) sp. hi-perf., w/welded OEM style muffler, 2.5"	B0359	PART OF MUFFLER*	B6551	B3203
65	396 2.5"	B3347	B3345	B6545	B3224
65	396 4 spd., w/welded OEM style muffler, 2.5"	B3347	PART OF MUFFLER*	B6546	B3201
66-67	327 auto only, 2"	B3339	B3341	B6539	B3216
66-67	327 all except auto, 2" to 2.5"	B3349	B3345	B6545	B3228
66-67	327, w/welded OEM style muffler, 2" to 2.5"	B3349	PART OF MUFFLER*	B6546	B3205
66-67	427 4 spd. 2.5"	B3347	B3345	B6545	B3224
66-67	427 4 spd., w/welded OEM style muffler, 2.5"	B3347	PART OF MUFFLER*	B6546	B3206
66-67	427 auto 2.5"	B6525	B3345	B6545	B3226
66-67	427 auto, w/welded OEM style muffler, 2.5"	B6525	PART OF MUFFLER*	B3208	B3208

* Original factory exhaust systems came on the car with the secondary pipe welded to the muffler. The chart above lists systems both with the welded mufflers and with the muffler pipe separate. Our welded system is not to be confused with the O.E.M. high performance "off road" exhaust systems which also came as a welded secondary pipe and muffler assembly.

B3341 64-67	PIPE SET/SECONDARY - 327/250HP 2' 64/5 3 & 4 speed & 64/7 w/automatic transmission, pr. .92.80	B3204 63	EXHAUST SYSTEM KIT - 327/250HP 2' 3&4 speed & automatic trans, with secondary pipe welded to muffler, as original312.70
B6551 64-67	PIPE SET/SECONDARY W/MUFFLERS - oem style 2' aluminized w/secondary pipe welded on, 64/5 327/250hp automatic or 1966/7 w/automatic, pr267.85	B3368 63	EXHAUST SYSTEM KIT - 327/300-360HP 2 1/2' 3&4 speed trans & automatic transmission ...330.65
B3345 64-67	PIPE SET/SECONDARY - 2 1/2' aluminized, 64/5 300-375hp. 1965 396, 1966/7 427, pr92.80	B3202 63	EXHAUST SYSTEM KIT - 327/300-360HP 2 1/2' 3&4 speed & automatic trans, with secondary pipe welded to muffler, as original346.30
B6546 64-67	PIPE SET/SECONDARY W/MUFFLERS - 2 1/2' aluminized w/secondary pipe welded on, 64/5 300-375hp. 1965 396, 1966/7 427, pr....267.85	B3216 64-67	EXHAUST SYSTEM KIT - 327/250HP 2' 64/5 3 & 4 speed & 64/7 w/automatic trans,291.40
		B3369 64-67	EXHAUST SYSTEM KIT - 327/250HP 2' 64/5 3 & 4 speed & 64/7 w/automatic trans, with secondary pipe welded to muffler, as original330.65
		B3232 64-65	EXHAUST SYSTEM KIT - 327/300-360HP 2 1/2' 3&4 speed trans & automatic transmission ...299.99

Exhaust System Kits: Aluminized

B3200 63	EXHAUST SYSTEM KIT - 327/250HP 2' 3&4 speed & automatic trans301.50
----------	---

B3203 64-65	EXHAUST SYSTEM KIT - 327/300-360HP 2 1/2' 3&4 speed & automatic trans, with secondary pipe welded to muffler, as original	359.95
B3224 65-67	EXHAUST SYSTEM KIT - 396/427 2 1/2' 3&4 speed transmission	312.70
B3201 65-67	EXHAUST SYSTEM KIT - 396/427 2 1/2' 3&4 speed transmission with secondary pipe welded to muffler, as original	346.30
B3228 66-67	EXHAUST SYSTEM KIT - 327/300-350HP 2 - 2 1/2' 3&4 speed transmissions	308.20
B3205 66-67	EXHAUST SYSTEM KIT - 327/300-350HP 2 - 2 1/2' 3&4 speed transmissions with secondary pipe welded to muffler as original	346.30
B3226 66-67	EXHAUST SYSTEM KIT - 427 2 1/2' automatic transmission	334.20
B3208 66-67	EXHAUST SYSTEM KIT - 427 2 1/2' automatic transmission w/secondary pipes welded on to mufflers, as original	356.95

Exhaust System Kits: Carbon Steel

B3212 65-67	EXHAUST SYSTEM/DELUXE - 396/427 carbon steel w/welded mufflers, includes clamps, hanger, numbered exhaust tips & heat riser	583.95
-------------	---	--------

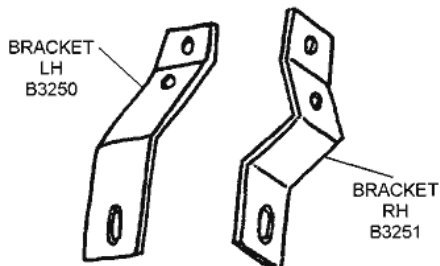
Exhaust System Kits: Chambered Exhaust, Under Car With No Mufflers Required

B3372 63L-67	EXHAUST KIT - chambered, 327 w/2' exhaust manifolds, aluminized	399.95
B3373 63L-67	EXHAUST KIT - chambered, 327, w/2 1/2' exhaust manifolds, aluminized	399.95
B3376 63L-67	EXHAUST KIT - chambered, 327, w/2 1/2' exhaust manifolds, stainless steel	750.00
B3375 63L-67	EXHAUST KIT - chambered, 327, w/2' exhaust manifolds, stainless steel	750.00
B3374 65-67	EXHAUST KIT - chambered, 396/427, aluminized	399.95
B3377 65-67	EXHAUST KIT - chambered, 396/427, stainless steel	750.00

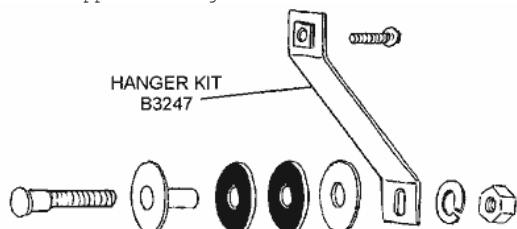
Exhaust System Kits: Stainless Steel Without Mufflers

B3215 63	EXHAUST KIT - stainless steel, 2'	275.00
B3207 63	EXHAUST KIT - stainless steel, 2 1/2'	275.00
B3221 64-67	EXHAUST KIT - stainless steel, 2' S.B.	275.00
B3223 64-67	EXHAUST KIT - stainless steel, 2 1/2' S.B.	275.00
B3229 66-67	EXHAUST KIT - stainless steel, 2' - 2 1/2'	275.00
B3225 65-67	EXHAUST KIT - stainless steel, 2 1/2', 396/427 4 speed	275.00
B3227 65-67	EXHAUST KIT - stainless steel, 2 1/2', 427 auto	275.00

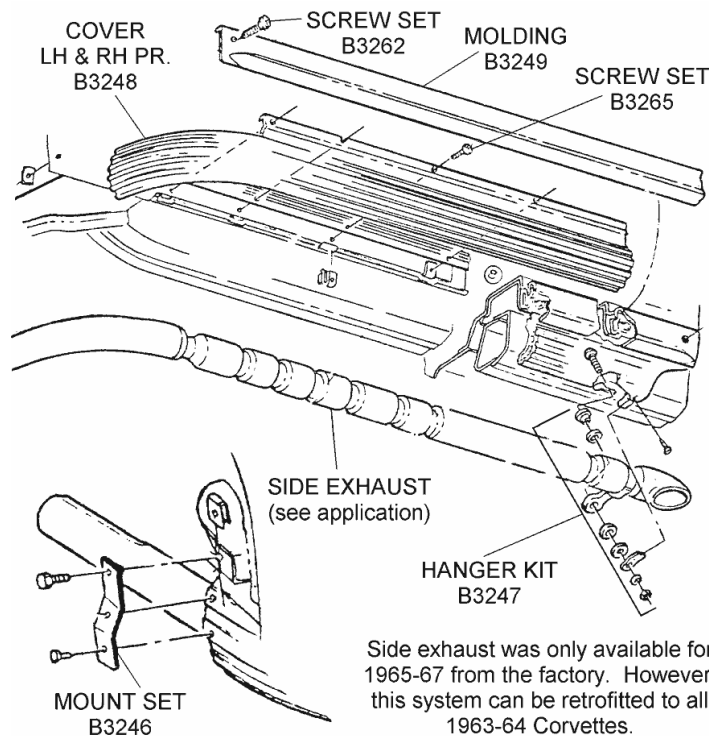
Side Exhaust System Kits & Individual Components



B3290 63-67	BRACKET - heat shield, rear, (2 req.) (ea.)	12.50
B3250 63-67	BRACKET - side pipe, LH front	11.75
B3251 63-67	BRACKET - side pipe, RH front	11.75
B3248 63-67	COVER SET - side exhaust system, aluminum w/shields LH & RH	999.00
B3267 63-67	COVER & UPPER MOLDING SET - side exhaust system, aluminum side covers w/shields LH & RH and 2 upper moldings	1,162.95

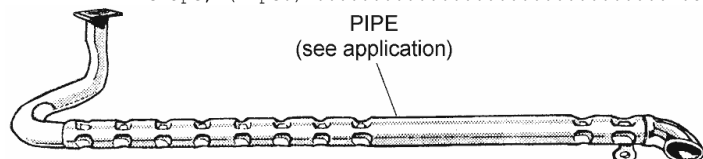


B3247 63-67	HANGER KIT - side exhaust cover, rear, does both sides	72.05
B3272 63-67	INSULATOR - side exhaust cover/fiberglass LH or RH, (2 pc./per side)	151.75
B3285 63-67	INSULATOR - side exhaust rear, repl., rubber donut	6.95



Side exhaust was only available for 1965-67 from the factory. However, this system can be retrofitted to all 1963-64 Corvettes.

B3249 63-67	MOLDING SET - rocker panel, above side exhaust cover	249.95
B3246 63-67	MOUNT SET - side exhaust cover, front	20.90
B3266 63-67	NUT SET - side exhaust cover mount, 'U' shape, (12 pc.)	11.95
B3291 63-67	NUT SET - side exhaust cover, front, 'U' shape, (2 pc.)	1.80



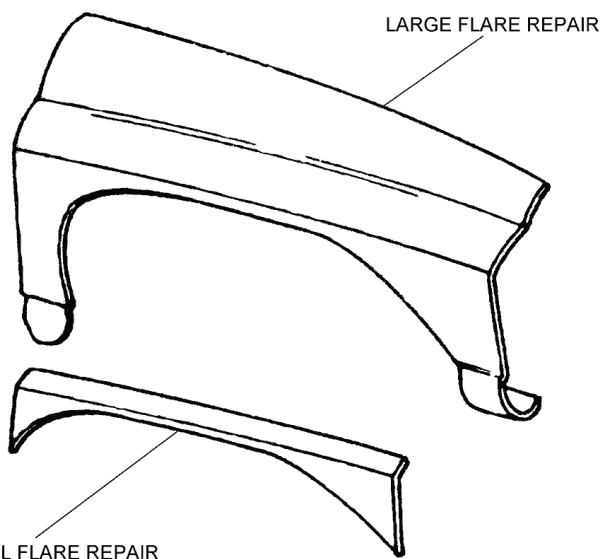
B3244 63-65	PIPE - 2 1/2', 327 side mount exhaust w/muffler, LH	229.95
B3279 63-65	PIPE - 2 1/2', 327 side mount exhaust w/muffler, RH	275.00
B3243 63-67	PIPE - 2', 327 side mount exhaust w/muffler, LH	449.00
B3281 63-67	PIPE - 396/427 exhaust w/muffler, RH	579.95
B3316 63-67	RETAINER - side mount exhaust cover, upper molding, (pr)	12.70
B3262 63-67	SCREW & MOUNT KIT - side exhaust, upper molding, (8 pc.)	3.95
B3288 63-67	SCREW & NUT KIT - side exhaust cover, upper molding	6.00
B3265 63-67	SCREW SET - side exhaust cover mount	7.85
B3289 63-67	SCREW SET - side exhaust cover, front, (2pc.)	1.45
B0035 63-67	SIDE EXHAUST KIT - w/mounting hardware, aluminum (327) (2')	1,799.95
B0036 63-67	SIDE EXHAUST KIT - w/mounting hardware, aluminum (327) (2.5')	1,799.95
B0037 63-67	SIDE EXHAUST KIT - w/mounting hardware, aluminum (396/427) (2.5')	1,799.95
B3282 63-67	SIDE EXHAUST KIT - 2', 327 stainless steel pipes, includes mounting hardware, (pr)	1,999.95
B3283 63-67	SIDE EXHAUST KIT - 2 1/2', 327, stainless steel pipes, includes mounting hardware, (pr)	1,999.95
B3284 65-67	SIDE EXHAUST KIT - 396/427, stainless steel pipes, includes mounting hardware, (pr)	1,999.95
B3217 63-67	SPACE - transmission, all w/side pipes, takes place of center exhaust bracket	7.10

FIBERGLASS

Fiberglass Bonding Adhesive

G0320 63-67	BONDING PUTTY - pigmented polyester based, produced by 'Corvette Image' expressly for 1963-67 Corvettes, specify color (gallon)	96.55
-------------	---	-------

Flare Repair Kits - Front & Rear Fender

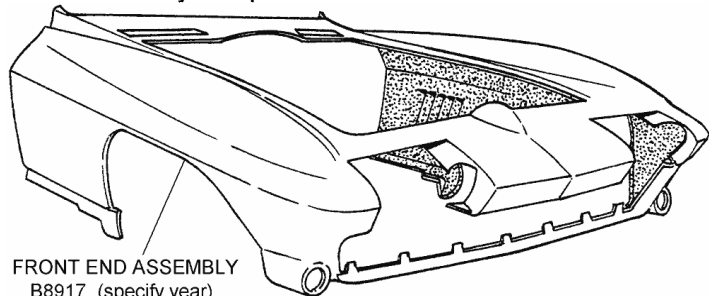


B8585	63-67	EXTENSION - side fender (over wheel) PM, LH white / gray / black (specify color & year) . 52.50
B8586	63-67	EXTENSION - side fender (over wheel) PM, RH white / gray / black (specify color & year) . 52.50
B8543	63-67	REPAIR KIT - front, large flare, LH242.00
B8544	63-67	REPAIR KIT - front, large flare, RH242.00
B8547	63-65	REPAIR KIT - front, small flare, LH, PM, white132.50
B8559	63-65	REPAIR KIT - front, small flare, RH, PM, white132.50
B8550	65-66	REPAIR KIT - front, small flare, LH, PM, gray132.50
B8551	65-66	REPAIR KIT - front, small flare, RH, PM, gray132.50
B8554	67	REPAIR KIT - front, small flare, LH, PM, black132.50
B8555	67	REPAIR KIT - front, small flare, RH, PM, black132.50
B8545	63-67	REPAIR KIT - rear, large flare, LH272.50
B8546	63-67	REPAIR KIT - rear, large flare, RH272.50
B8548	63-65	REPAIR KIT - rear, small flare, LH, PM, white181.50
B8549	63-65	REPAIR KIT - rear, small flare, RH, PM, white181.50
B8552	65-66	REPAIR KIT - rear, small flare, LH, PM, gray181.50
B8553	65-66	REPAIR KIT - rear, small flare, RH, PM, gray181.50
B8556	67	REPAIR KIT - rear, small flare, LH, PM, black181.50
B8557	67	REPAIR KIT - rear, small flare, RH, PM, black181.50

Floorboard

B0398	63-67	FLOORBOARD - drive shaft, rear (PM)235.90
NOTE: Please specify color on B0397 and B0398.		
B0396	63-67	FLOORBOARD - rear (HL)525.00
B0397	63-67	FLOORBOARD - shifter area (PM)269.95

Front End Assembly - Complete

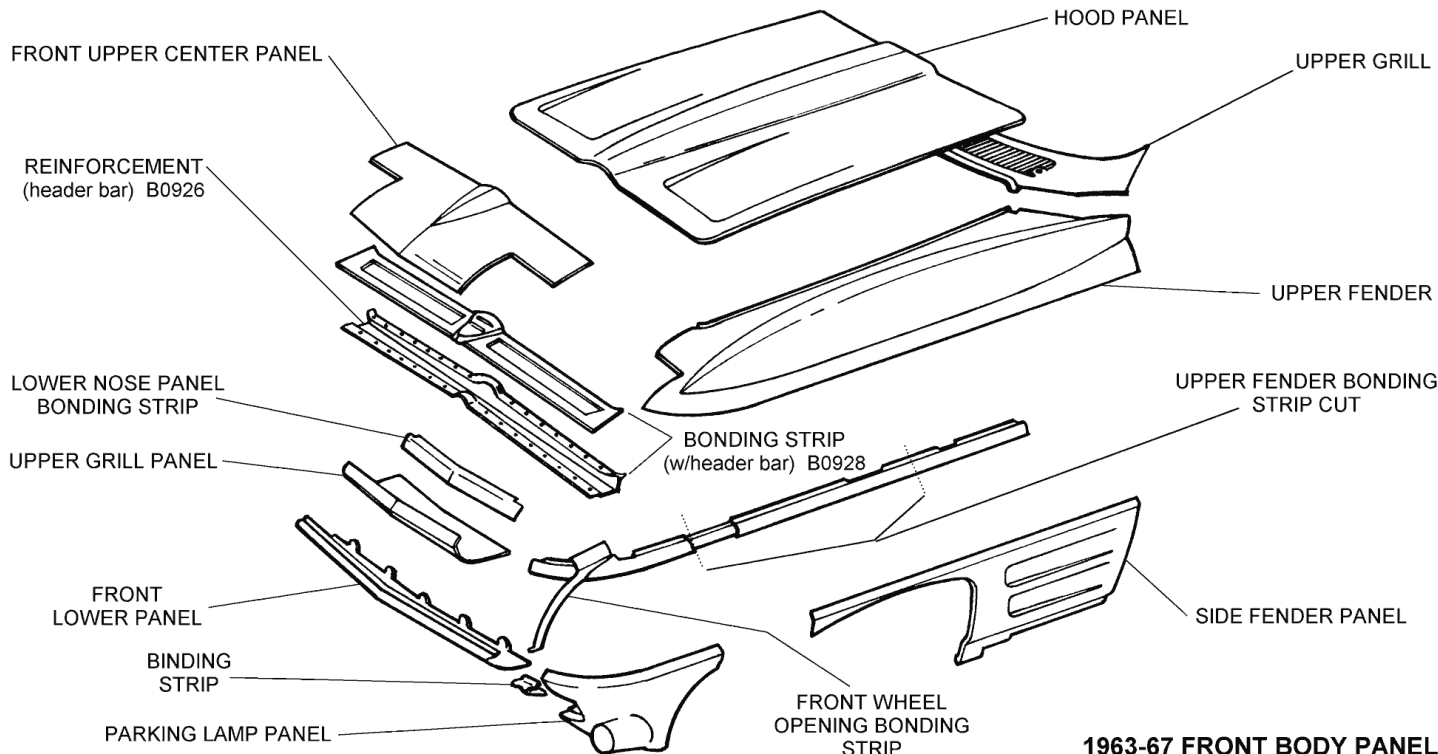


S3501	63-64	FRONT END - stock, door to door, one piece, (truck freight)1,595.00
B3504	65-66	FRONT END - stock, door to door, one piece, (truck freight)1,595.00
B3505	67	FRONT END - stock, door to door, one piece, (truck freight)1,595.00

B8917	63-67	FRONT END ASSEMBLY - complete, jig pre-assembled out of press molded component panels, featuring correct colored fiberglass, (specify year & color, of fiberglass)(truck freight)4,750.00
-------	-------	---

Front End Body: Components forward of firewall

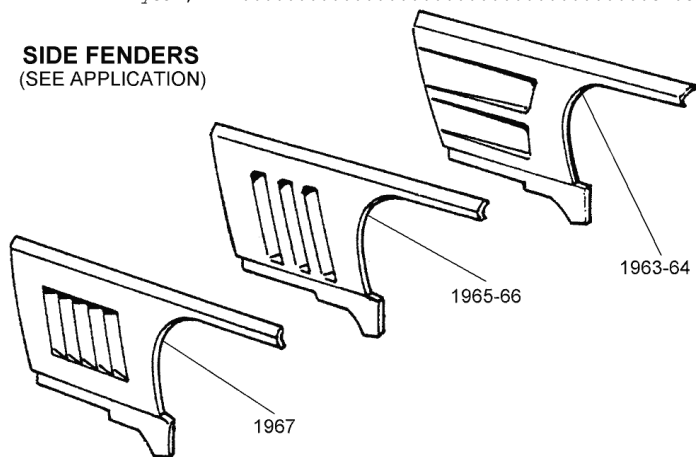
B8903	63-67	BONDING STRIP - around metal headlight support, (specify year)24.25
B0097	63-67	BONDING STRIP - cowl to hinge pillar LH, PM . 45.00
B0098	63-67	BONDING STRIP - cowl to hinge pillar, RH, PM45.00
B0090	63-67	BONDING STRIP - front corner roof, PM45.00
B8439	63-65	BONDING STRIP - front lower panel, LH, PM, white32.00
B8440	63-65	BONDING STRIP - front lower panel, RH, PM, white29.25
B8441	65-66	BONDING STRIP - front lower panel, LH, PM, gray29.25
B8442	65-66	BONDING STRIP - front lower panel, RH, PM, gray32.00
B8443	67	BONDING STRIP - front lower panel, LH, PM, black32.00
B8444	67	BONDING STRIP - front lower panel, RH, PM, black32.00
B8909	63-65	BONDING STRIP - front wheel opening, LH, PM, white60.35
B8436	65-66	BONDING STRIP - front wheel opening, RH, PM, gray60.35
B8435	63-65	BONDING STRIP - front wheel opening, LH, PM, gray60.35
B8910	63-65	BONDING STRIP - front wheel opening, RH, PM, white60.35
B8437	67	BONDING STRIP - front wheel opening, LH, PM, black60.35
B8438	67	BONDING STRIP - front wheel opening, RH, PM, black60.35
B8900	63	BONDING STRIP - inner skirt to fender white, PM, (2 req.)(ea)35.00
B8413	63-65	BONDING STRIP - lower nose panel, (above grille), PM, white37.25
B8412	65-66	BONDING STRIP - lower nose panel, (above grille), PM, gray37.25
B8414	67	BONDING STRIP - lower nose panel, (above grille), PM, black37.25
B0083	63-67	BONDING STRIP - rear post, coupe, LH, PM . . .45.00
B0084	63-67	BONDING STRIP - rear post, coupe, RH, PM . . .45.00
B0085	63-67	BONDING STRIP - rear roof corner, PM45.00
B0086	63-67	BONDING STRIP - roof side LH, PM45.00
B0087	63-67	BONDING STRIP - roof side RH, PM45.00
B0088	63-67	BONDING STRIP - roof, front center, coupe, PM45.00
B0089	63-67	BONDING STRIP - roof, rear center, coupe, PM45.00
B8409	63-65	BONDING STRIP - surround reinforcement, PM, white96.55
B8408	65-66	BONDING STRIP - surround reinforcement, PM, gray96.55
B8410	67	BONDING STRIP - surround reinforcement, PM, black96.55
B8598	63-67	BONDING STRIP - under windshield, LH70.00
B8599	63-67	BONDING STRIP - under windshield, RH70.00
B8901	63-65	BONDING STRIP - upper fender, center cut for over wheel well repair, PM white, LH . . .46.75
B8902	63-65	BONDING STRIP - upper fender, center cut for over wheel well repair, PM white, RH . . .4.65
B8904	65-66	BONDING STRIP - upper fender, center cut, PM, gray, LH50.00
B8905	65-66	BONDING STRIP - upper fender, center cut, PM, gray, RH50.00
B8906	67	BONDING STRIP - upper fender, center cut, PM, black, LH50.00
B8907	67	BONDING STRIP - upper fender, center cut, PM, black, RH50.00
B8459	63-65	BONDING STRIP - upper fender, LH, PM, white, (14)96.55
B8461	65-66	BONDING STRIP - upper fender, LH, PM, gray . . .96.55
B8463	67	BONDING STRIP - upper fender, LH, PM, black . 96.55
B8460	63-65	BONDING STRIP - upper fender, RH, PM, white . 96.55
B8462	65-66	BONDING STRIP - upper fender, RH, PM, gray . . 96.55
B8464	67	BONDING STRIP - upper fender, RH, PM, black . 96.55
B0092	63-67	BONDING STRIP - windshield post, coupe, LH, HL45.00
B0093	63-67	BONDING STRIP - windshield post, coupe, RH, HL45.00
B0094	63-67	BONDING STRIP - windshield, coupe, (HL) . . .45.00
B0095	63-67	BONDING STRIP - windshield, coupe, LH, HL . . .45.00
B0096	63-67	BONDING STRIP - windshield, coupe, RH, HL . . .45.00
B2079	63	BRACKET/SUPPORT - expansion tank, on inner fender fiberglass, white PM37.00
B8952	63-67	COVER - hinge pillar, specify year, LH, PM . 90.00
B8953	63-67	COVER - hinge pillar, specify year, RH, PM . 90.00



B4933	63-67	END PLATE - headlamp reinforcement, w/o fiberglass, LH inner	21.95
B4932	63-67	END PLATE - headlamp reinforcement, w/o fiberglass, RH inner	21.95
B4935	63-67	END PLATE - headlamp reinforcement, w/o fiberglass, LH outer	21.95
B4934	63-67	END PLATE - headlamp reinforcement, w/o fiberglass, RH outer	21.95
B4929	63-67	END PLATE - headlight inner headlight opening end reinforcement w/fiberglass, LH	72.25
B4927	63-67	END PLATE - headlight inner headlight opening end reinforcement w/fiberglass, RH	72.25
B4931	63-67	END PLATE - headlight outer headlight opening end reinforcement w/fiberglass, LH	72.25
B4930	63-67	END PLATE - headlight outer headlight opening end reinforcement w/fiberglass, RH	72.25
B8955	63-67	EXTENSION - side fender panel, specify year, LH	52.50
B8956	63-67	EXTENSION - side fender panel, specify year, RH	52.50

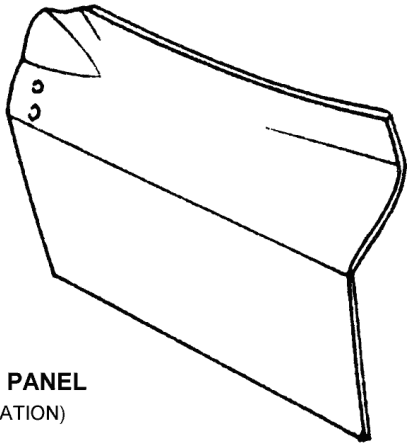
B8912	63-65	FENDER - upper, RH, PM white	380.20
B8913	65-66	FENDER - upper, LH, PM gray	380.20
B8914	65-66	FENDER - upper, RH, PM gray	380.20
B8915	67	FENDER - upper, LH, PM black	380.20
B8916	67	FENDER - upper, RH, PM black	380.20
B8578	63-67	FENDER TIP - lower front, for converting back from side exhaust (white/gray/black/spec) PM, LH	55.00
B8579	63-67	FENDER TIP - lower front for converting back from side exhaust (white/gray/black/spec) PM, RH	55.00
B8473	63-65	PANEL - cowl plenum, LH, PM, white	130.00
B8474	63-65	PANEL - cowl plenum, RH, PM, white	130.00
B8475	65	PANEL - cowl plenum, LH, PM, white	130.00
B8476	65	PANEL - cowl plenum, RH, PM, white	130.00
B8477	65	PANEL - cowl plenum, LH, PM, gray	130.00
B8478	65	PANEL - cowl plenum, RH, PM, gray	130.00
B8479	66	PANEL - cowl plenum, LH, PM, gray	130.00
B8480	66	PANEL - cowl plenum, RH, PM, gray	130.00
B8481	67	PANEL - cowl plenum, LH, PM, black	130.00
B8482	67	PANEL - cowl plenum, RH, PM, black	130.00
B0079	64-67	PANEL - door lock pillar, convertible, LH, PM	102.00
B0080	64-67	PANEL - door lock pillar, convertible, RH, PM	102.00
B0081	64-67	PANEL - door lock pillar, coupe, LH, PM	93.00
B0082	64-67	PANEL - door lock pillar, coupe, RH, PM	93.00
B8402	63-65	PANEL - front upper center, PM, white	205.20
B8411	65-66	PANEL - front upper center, PM, gray	205.20
B8407	67	PANEL - front upper center, PM, black	205.20
B8420	63-64	PANEL - lower grille valance/front PM, white	137.00
B8421	65-66	PANEL - lower grille valance/front PM, gray	137.00
B8422	66L-67	PANEL - lower grille valance/front PM, black	137.00
B8423	63-65	PANEL - parking lamp, LH, PM, white	185.00
B8424	63-65	PANEL - parking lamp, RH, PM, white	185.00
B8425	65-66	PANEL - parking lamp, LH, PM, gray	185.00
B8426	65-66	PANEL - parking lamp, RH, PM, gray	185.00
B8427	67	PANEL - parking lamp, LH, PM, black	185.00
B8428	67	PANEL - parking lamp, RH, PM, black	185.00
B8415	63-65	PANEL - upper grille, PM, white	90.55
B8416	65-66	PANEL - upper grille, PM, gray	90.55
B8417	67	PANEL - upper grille, PM, black	90.55
B8419	63-65	PANEL - wiper panel, PM white	170.00
B8433	65-66	PANEL - wiper panel, PM gray	170.00
B8434	67	PANEL - wiper panel, PM gray	170.00
B0880	63-67	PANEL - wiper to door	199.15
B5229	63-67	REINFORCEMENT - hood support	8.70
B8908	63	REINFORCEMENT - hood support, w/rivets	16.00
B8281	67	REINFORCEMENT FILLER - hood scoop, w/427, PM, black	65.00
B0926	63-67	REINFORCEMENT HEADER BAR - (in front of hood) steel	100.90
B0928	63-67	REINFORCEMENT HEADER BAR - (in front of hood) steel w/fiberglass riveted on	186.05

SIDE FENDERS (SEE APPLICATION)



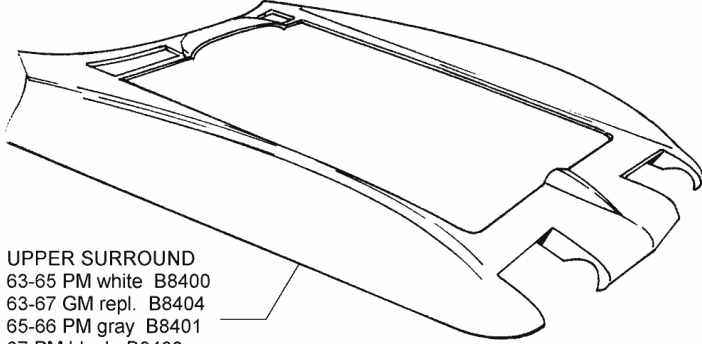
B8453	63-64	FENDER - side, LH	134.25
B8445	63-64	FENDER - side, LH, PM, white	277.65
B8454	63-64	FENDER - side, RH	134.25
B8446	63-64	FENDER - side, RH, PM, white	277.65
B8447	65	FENDER - side, LH, PM, white	277.65
B8448	65	FENDER - side, RH, PM, white	277.65
B8455	65-66	FENDER - side, LH	134.25
B8449	65-66	FENDER - side, LH, PM, gray	277.65
B8560	65-66	FENDER - side, RH	134.25
B8450	65-66	FENDER - side, RH, PM, gray	277.65
B8456	67	FENDER - side, LH	134.25
B8451	67	FENDER - side, LH, PM, black	277.65
B8457	67	FENDER - side, RH	134.25
B8452	67	FENDER - side, RH, PM, black	277.65
B8911	63-65	FENDER - upper, LH, PM white	380.20

1963-67 FRONT BODY PANELS



DOOR SKIN PANEL
(SEE APPLICATION)

- B8589 64-67 SKIN - door, LH coupe, (truck freight)221.75
- B8590 64-67 SKIN - door, RH coupe, (truck freight)221.75
- B8471 63 SKIN - door, LH roadster229.35
- B8472 63 SKIN - door, RH roadster175.00
- B8570 64-67 SKIN - door, LH roadster175.00
- B8571 64-67 SKIN - door, RH roadster229.35
- B8564 63 SKIN - headlight bucket skin, LH54.00
- B8565 63 SKIN - headlight bucket skin, RH54.00
- B8469 63-67 SKIRT - inner fender, LH215.55
- B8470 63-67 SKIRT - inner fender, RH215.55
- B8468 63-65 SKIRT - inner fender, LH, PM, white291.75
- B8465 63-65 SKIRT - inner fender, RH, PM, white301.75
- B8583 65-66 SKIRT - inner fender, LH, PM, gray291.75
- B8584 65-66 SKIRT - inner fender, RH, PM, gray291.75
- B8466 66L-67 SKIRT - inner fender, LH, PM, black291.75
- B8562 66L-67 SKIRT - inner fender, RH, PM, black291.75
- B8566 63-65 SUPPORT - upper cowl support, (the part surround glues to) white175.00
- B8567 65-66 SUPPORT - upper cowl support, (the part surround glues to) gray175.00
- B8568 67 SUPPORT - upper cowl support, (the part surround glues to) black175.00



UPPER SURROUND
63-65 PM white B8400
63-67 GM repl. B8404
65-66 PM gray B8401
67 PM black B8403

- B8400 63-65 SURROUND - upper hood, PM, white, (truck freight)1,029.00
- B8401 65-66 SURROUND - upper hood, PM, gray, (truck freight)1,029.00
- B8403 67 SURROUND - upper hood, PM, black, (truck freight)1,029.00

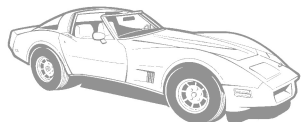
ORDER BY PHONE:
1-800-872-2446



ORDER BY FAX:
708-458-2662



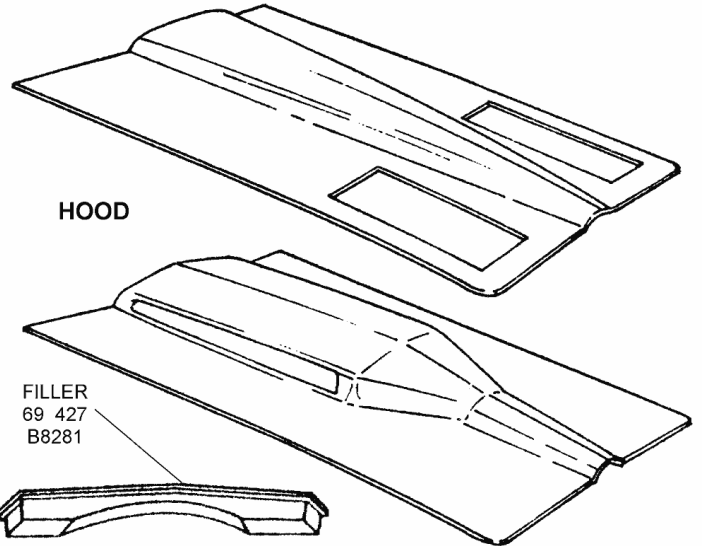
TECHNICAL QUESTIONS:
708-458-2500



CUSTOMER SERVICE:
708-458-6577

QUESTIONS ABOUT YOUR ORDER:
708-458-2500

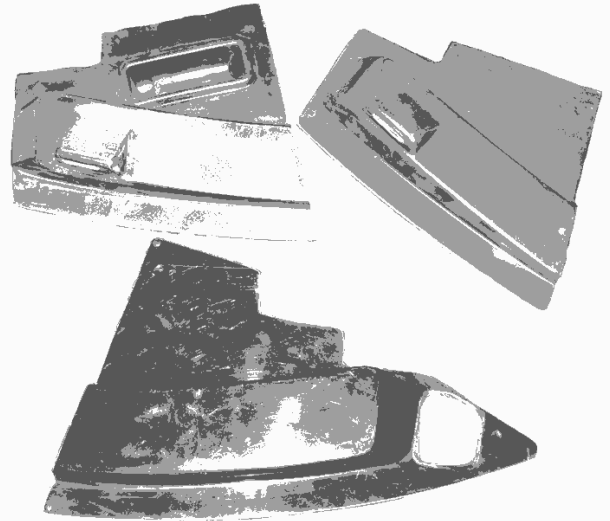
Hood



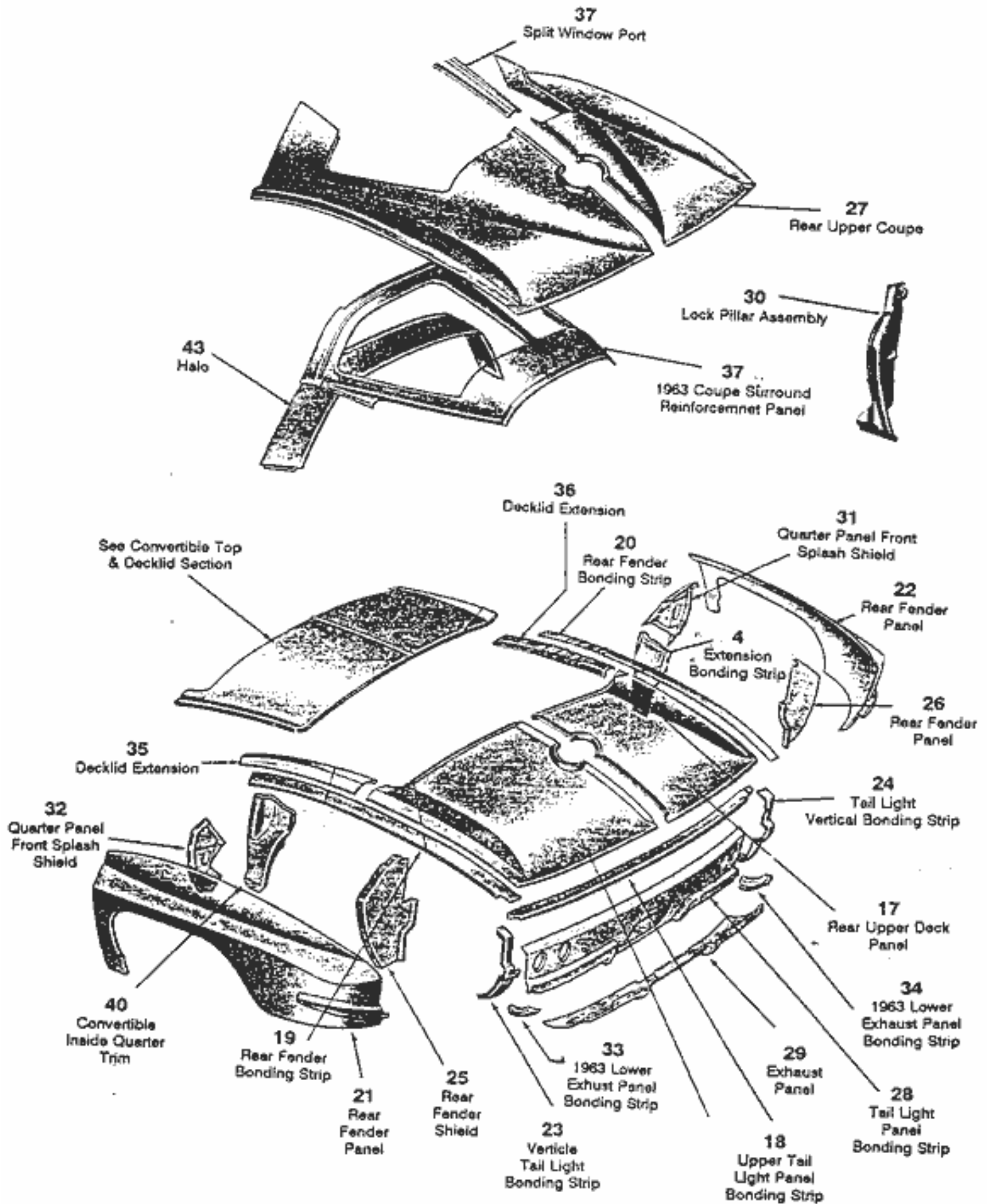
FILLER
69 427
B8281

- B3591 63 HOOD ASSEMBLY - PM, white, (truck freight) 1,399.00
- B3592 64 HOOD ASSEMBLY - PM, white, (truck freight) 1,255.00
- B3594 65 HOOD ASSEMBLY - big block, PM, gray, (truck freight)1,255.00
- B3593 65-67 HOOD ASSEMBLY - all 327, PM, specify year, (63-64 repl.) (truck freight)1,255.00
- B3595 66 HOOD ASSEMBLY - big block, PM, gray, (16) (truck freight)1,255.00
- NOTE: 1966E use 1965 396 hood & drill holes for emblem.**
- B3596 67 HOOD ASSEMBLY - big block black, (16) (truck freight)1,255.00
- B8535 65-67 HOOD INNER FRAMEWORK - w/steel, 327495.00
- B8537 65-66 HOOD INNER FRAMEWORK - w/steel, 396 427495.00
- B8281 67 REINFORCEMENT FILLER - hood scoop, w/427, PM, black65.00
- B8540 67 SCOOP - hood, big block195.00
- B8536 65-66 SKIN - hood, big block, PM, gray605.00
- B8954 63 WEDGE - hood support50.50

Interior



- B8990 63-67 MOLDING & EXTENSION SET - coupe door jam drip rail / 4 pc750.00
- B5577 63 PANEL - halo, coupe, (used)225.00
- B5576 64-67 PANEL - halo, coupe, (used)250.00
- B8597 63-67 PANEL - rear quarter trim, fiberglass, RH, convertible, (41)58.45
- B8592 63-67 PANEL - rear, quarter trim, fiberglass, LH, convertible, (40)72.45
- B1939 63 PANEL - side, radio console, fiberglass, LH . 95.00
- B1940 64-66 PANEL - side, radio console, fiberglass, LH . 95.00
- B1944 67 PANEL - side, radio console, fiberglass, LH . 95.00
- B1942 63-66 PANEL - side, radio console, fiberglass, RH . 95.00
- B1946 67 PANEL - side, radio console, fiberglass, w/AC, RH95.00
- B1945 67 PANEL - side, radio console, fiberglass, w/o AC, RH95.00



Rear Body - Exhaust Panel

B8572	63-67	BOLT & NUT KIT - rear exhaust valance	11.95
B8527	64-65	FLANGE - exhaust bezel, LH, PM, white	60.75
B8528	64-65	FLANGE - exhaust bezel, RH, PM, white	60.75
B8529	65	FLANGE - exhaust bezel, LH, PM, gray	60.75
B8530	65	FLANGE - exhaust bezel, RH, PM, gray	60.75
B0907	63-67	NUT PLATE & RIVET SET - rear valance panel	24.55
B8569	63	PANEL - exhaust, w/end strips installed, PM, white, (29)	359.00
B8519	64-65	PANEL - exhaust w/flanges installed, PM, white, (29)	389.00
B8523	64-65	PANEL - exhaust w/side exhaust, PM, white, (29)	308.00
B8520	65	PANEL - exhaust w/flanges installed, PM, gray, (29)	308.00
B8524	65-66	PANEL - exhaust w/side exhaust, PM, gray, (29)	308.00
B8521	66	PANEL - exhaust, PM, gray, (29)	299.00
B8522	67	PANEL - exhaust, PM, black, (29)	299.00
B8525	67	PANEL - exhaust w/side exhaust, PM, black, (29)	308.00
B8533	63-67	PANEL - pillar lock, LH, PM, white / gray / black, (specify color and coupe or roadster) (30)	132.75
B8534	63-67	PANEL - pillar lock, RH, PM, white / gray / black, (specify color and coupe or roadster)	132.75
B8484	63-67	PANEL - rear deck upper, roadster, (17) (truck freight)	375.00
B6589	63	PANEL - rear upper coupe, (rear deck lid split window and roof section) (27), PM, (truck freight)	700.00
B8514	64-67	PANEL - rear upper, coupe, deck lid roof, PM, (specify white, gray or black) (truck freight)	1,749.95
B8483	63-67	PANEL - rear upper, roadster, PM, (specify white, gray, or black) (17) (truck freight)	909.95
B6590	63	REINFORCEMENT - coupe surround for B6589, (37)	157.50
B8458	63	REINFORCEMENT - rear lower panel, PM, white	27.50
B0931	63-67	RIVET SET - rear valance, (25 pc.)	5.95
B8950	63-67	SHIELD - quarter panel, front splash shield, LH, PM (40) specify year	72.45
B8951	63-67	SHIELD - quarter panel, front splash shield, RH, PM, specify year, (31)	72.45
B8508	63-65	SHIELD - rear fender, LH, PM, white, (25)	53.25
B8509	63-65	SHIELD - rear fender, RH, PM, white, (26)	53.25
B8510	65-66	SHIELD - rear fender, LH, PM, gray, (25)	54.30
B8511	65-66	SHIELD - rear fender, RH, PM, gray, (26)	53.25
B8512	67	SHIELD - rear fender, LH, PM, black, (25)	53.25
B8513	67	SHIELD - rear fender, RH, PM, black, (26)	53.25
B8580	63-67	TIP - rear fender, lower front for converting back from side exhaust white/gray/black (specify) LH	32.00
B8581	63-67	TIP - rear fender, lower front for converting back from side exhaust white/gray/black (specify) RH	32.00
B8542	63	WINDOW POST - rear window between the 2 glasses, (37)	74.00

Rear Body - Tail Light Panel

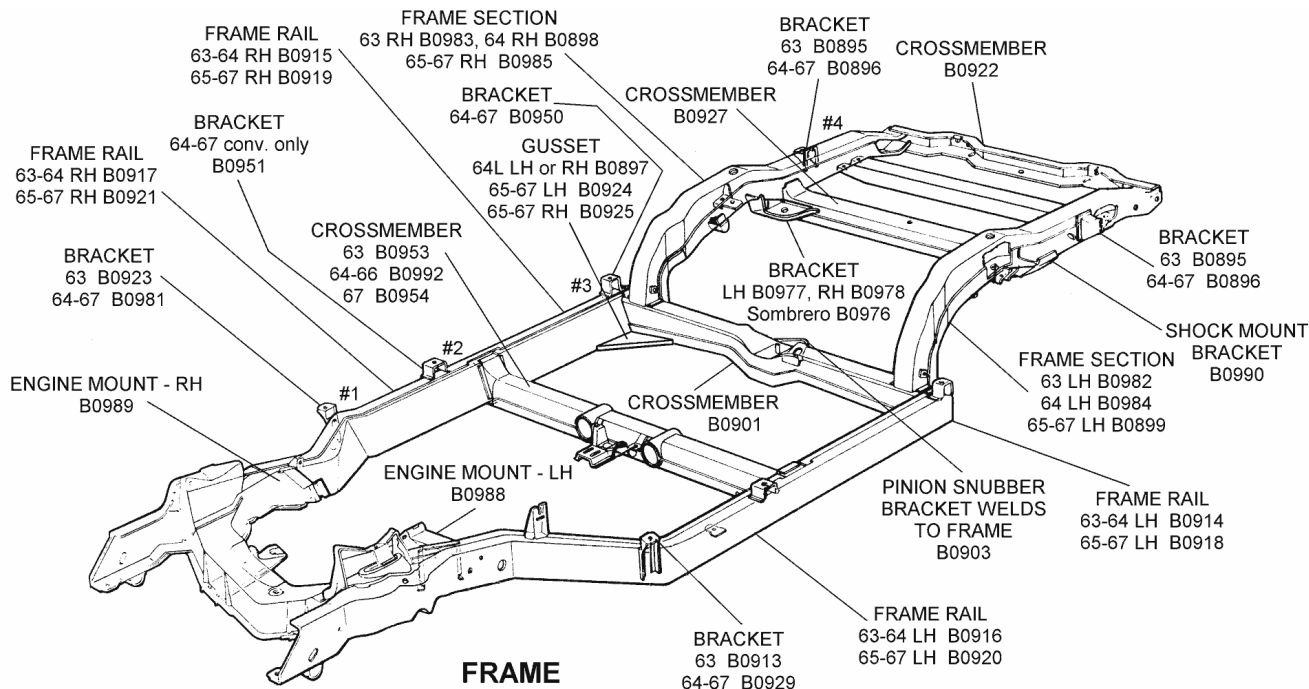
B8577	63	BONDING STRIP - taillight vertical, LH, PM, white, (23)	73.00
B8576	63	BONDING STRIP - taillight vertical, RH, PM, white, (24)	73.00
B8502	64-65	BONDING STRIP - taillight vertical, LH, PM, white, (23)	73.00
B8503	64-65	BONDING STRIP - taillight vertical, RH, PM, white, (24)	73.00
B8504	65-66	BONDING STRIP - taillight vertical, LH, PM, gray, (23)	73.00
B8505	65-66	BONDING STRIP - taillight vertical, RH, PM, gray, (24)	73.00
B8506	67	BONDING STRIP - taillight vertical, LH, PM, black, (23)	73.00
B8507	67	BONDING STRIP - taillight vertical, RH, PM, black, (24)	73.00
B8485	63-65	BONDING STRIP - upper taillight panel, PM, white, (18)	73.00
B8486	65-66	BONDING STRIP - upper taillight panel, PM, gray, (18)	73.00
B8487	67	BONDING STRIP - upper taillight panel, PM, black, (18)	73.00
B8587	63-67	EXTENSION - rear deck (to door) LH PM specify white, gray, black, (35)	55.00
B8588	63-67	EXTENSION - rear deck (to door) RH PM specify white, gray, black, (36)	55.00
B8515	63-66	PANEL - taillight, (28)	175.00
B8516	63-65	PANEL - taillight, PM, white	365.00
B8518	67	PANEL - taillight, PM, black, (28)	384.00
B8517	65-66	PANEL - taillight, PM, gray, (28)	365.00

Rear Body Quarter Panel, Components & Bonding Strips

B8418	63-67	BOLT & NUT KIT - rear exhaust panel ends, (2 pr.)	2.00
B8531	63	BOLTING FLANGE - exhaust panel, LH, PM, white, (33)	44.00
B8532	63	BOLTING FLANGE - exhaust panel, RH, PM, white, (34)	44.00
B8488	63-65	BONDING STRIP - rear fender upper, LH, PM, white, (19)	82.50
B8489	63-65	BONDING STRIP - rear fender upper, RH, PM, white, (20)	82.50
B8490	65-66	BONDING STRIP - rear fender upper, LH, PM, gray, (19)	82.50
B8491	65-66	BONDING STRIP - rear fender upper, RH, PM, gray, (20)	82.50
B8492	67	BONDING STRIP - rear fender upper, LH, PM, black, (19)	82.50
B8493	67	BONDING STRIP - rear fender upper, RH, PM, black, (20)	82.50
B0912	63-67	COVER SET - rear body mount access, in front of rear wheel inner Fender w/screws, (pr)	16.95
B8494	63-67	FENDER - rear lower, LH, (21)	249.00
B8496	63-65	FENDER - rear lower, LH, PM, white, (21)	395.00
B8498	65-66	FENDER - rear lower, LH, PM, gray, (21)	395.00
B8500	67	FENDER - rear lower, LH, PM, black, (21)	395.00
B8495	63-67	FENDER - rear lower, RH, (22)	249.00
B8497	63-65	FENDER - rear lower, RH, PM, white, (22)	395.00
B8499	65-66	FENDER - rear lower, RH, PM, gray, (22)	395.00
B8501	67	FENDER - rear lower, RH, PM, black, (22)	395.00
B0391	65	REAR QUARTER TRIM - coupe, pair	38.00
B0392	63-67	ROCKER PANEL - front extension, LH, PM	40.00
B0393	63-67	ROCKER PANEL - front extension, RH, PM	40.00
B0394	63-67	ROCKER PANEL - repair section, LH	114.00
B0395	63-67	ROCKER PANEL - repair section, RH	114.00
B0949	63-67	SCREW SET - rear body mount access covers by rear wheel, (8 pc.)	3.50

FRAME**Frame & Crossmember Components**

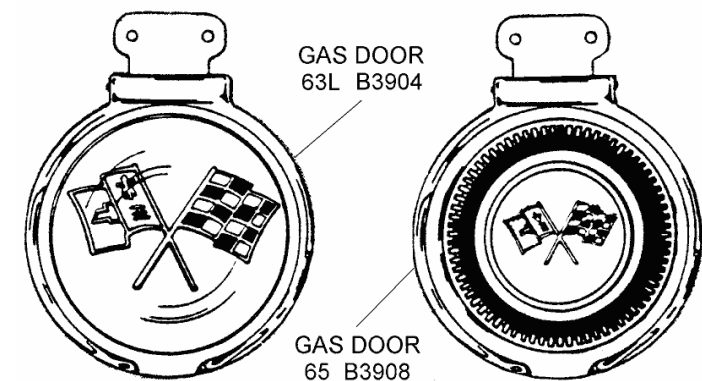
B0963	63	BODY MOUNT - above rear suspension	40.00
B0962	64-67	BODY MOUNT - above rear suspension	40.00
B0831	63-64L	BRACKET - axle bumper on rear frame rail / welds in place 2 required, each	48.00
B0913	63	BRACKET - body mount #1 on frame, LH	65.95
B0929	64-67	BRACKET - body mount #1 on frame, LH	42.25
B0923	63	BRACKET - body mount #1 on frame, RH	65.95
B0981	64-67	BRACKET - body mount #1 on frame, RH	63.75
B0952	64-67	BRACKET - body mount #2 or 3	36.20
B0895	63	BRACKET - body mount, on frame, at rear #4	43.95
B0896	64-67	BRACKET - body mount, on frame, at rear #4	43.45
B0951	64-67	BRACKET - body mount, on frame, under door, convertible only	46.75
B0972	63	BRACKET - parking brake lever, (welds to frame)	21.25
B0973	64-66	BRACKET - parking brake pivot, (welds to frame)	14.45
B0975	67	BRACKET - parking brake pulley, (welds to frame)	36.85
B0903	63-67	BRACKET - pinion snubber, welds to frame	103.50
B0990	63-67	BRACKET - rear shock, upper, (welds to frame) (2 req.) (ea)	16.75
B0970	64-66	BRACKET SET - parking brake cable on frame, (pr)	22.65
B0971	67	BRACKET SET - parking brake cable on frame, (pr)	22.65
B0980	63-67	BRACKET SET - rear brake block, (weld on) (pr)	19.85
B0977	63-67	BRACKET/GUSSET - sombrero LH, (welds to frame)	26.95
B0978	63-67	BRACKET/GUSSET - sombrero RH, (welds to frame)	26.95
B0958	63-67	CAGE & NUT - for inside body	13.95
B0974	64-66	CLAMP - parking brake cable	7.50
B0893	63-64	CROSSMEMBER / FRONT - used original/nice	CALL
B0894	65-67	CROSSMEMBER / FRONT - used original/nice	CALL
B0901	63-67	CROSSMEMBER - #3 w/differential bracket	375.00
B0998	63-67	CROSSMEMBER - above rear end, recon. w/2 new with rubber cushions installed	325.00
B0927	63-67	CROSSMEMBER - frame over rear axle	259.50
B0922	63-67	CROSSMEMBER - rear frame	179.85
B0953	63	CROSSMEMBER - transmission	540.80
B0992	64-66	CROSSMEMBER - transmission	540.80
B0954	67	CROSSMEMBER - transmission	540.80
B0976	63-67	CUSHION - steel sombrero, (weld to bracket B0977 & B0978) (2 req., ea)	49.60
B0905	63-67	END PLATE - frame rail, (2 req.) (ea)	7.85
B0993	63-64	FRAME ASSEMBLY - rear cowl back, (specify year & coupe or convertible)	2,832.00



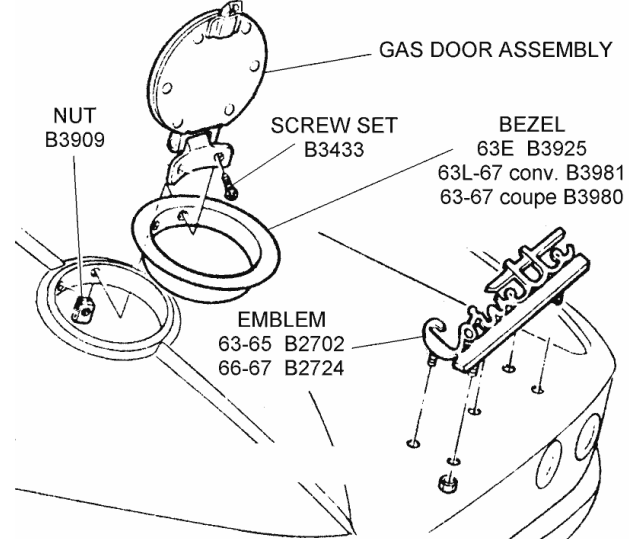
B0994	65-67	FRAME ASSEMBLY - rear cowl back, (specify year & coupe or convertible)	2,832.00
B0986	63-64	FRAME ASSEMBLY - rear, (center door back) (specify year & coupe or convertible)	2,295.00
B0987	65-67	FRAME ASSEMBLY - rear, (center door back) (specify year & coupe or convertible)	2,295.00
B0914	63-64	FRAME RAIL - section 23', in front of kick-up, LH	122.95
B0915	63-64	FRAME RAIL - section 23', in front of kick-up, RH	122.95
B0918	65-67	FRAME RAIL - section 23', in front of kick-up, LH	122.95
B0919	65-67	FRAME RAIL - section 23', in front of kick-up, RH	122.95
B0916	63-64	FRAME RAIL - section 48', in front of kick-up, LH	178.95
B0917	63-64	FRAME RAIL - section 48', in front of kick-up, RH	178.95
B0920	65-67	FRAME RAIL - section 48', LH	178.95
B0921	65-67	FRAME RAIL - section 48', RH	178.95
B0982	63	FRAME SECTION - kick-up, LH	568.10
B0983	63	FRAME SECTION - kick-up, RH	568.10
B0984	64	FRAME SECTION - kick-up, LH	568.10
B0898	64	FRAME SECTION - kick-up, RH	568.10
B0899	65-67	FRAME SECTION - kick-up, LH	568.10
B0985	65-67	FRAME SECTION - kick-up, RH	568.10
B0897	64L	GUSSET - side rail to crossmember, LH or RH (after 4/21/64)	25.00
B0924	65-67	GUSSET - side rail to crossmember, LH	28.00
B0925	65-67	GUSSET - side rail to crossmember, RH	25.00
B0966	63-67E	GUSSET/BRACKET - over axle crossmember, for sombrero, LH	25.00
B0967	63-67E	GUSSET/BRACKET - over axle crossmember, for sombrero, RH	25.00
B0945	67L	GUSSET/BRACKET - over axle crossmember, for sombrero, LH	45.00
B0946	67L	GUSSET/BRACKET - over axle crossmember, for sombrero, RH	45.00
G5012	63-67	PAINT - frame & chassis, asphalt based, black, quart	19.95
B0815	63-67	REPAIR KIT - crossmember #3 on bottom, 7 inch	39.50
B0988	63-67	SUPPORT - motor, LH, (welds to frame)	139.20
B0989	63-67	SUPPORT - motor, RH, (welds to frame)	139.20

GAS DOOR, TANK & PEDAL

Gas Door



B3925	63E	BEZEL - gas door on body, (roller door type)	21.95
B3981	63L-67	BEZEL - gas door, convertible	22.00
B3980	63L-67	BEZEL - gas door, coupe	22.00

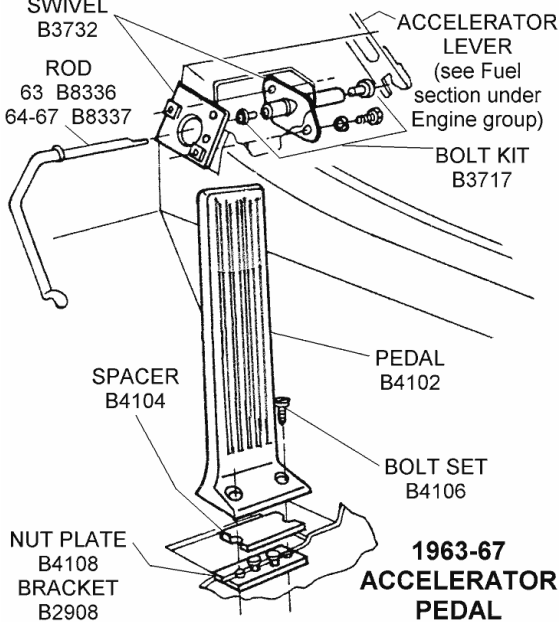


B3914	63E	EMBLEM - gas door	42.70
B3916	63L	EMBLEM - gas door	37.25
B3918	64	EMBLEM - gas door	42.95



B3920	65	EMBLEM - gas door	37.30
B3922	66	EMBLEM - gas door, black, LH corner flag	36.05
B3907	66	EMBLEM - gas door, white, LH corner flag	36.05
B3924	67	EMBLEM - gas door, (in primer paint by color)	63.00
B3970	63E	GAS DOOR ASSEMBLY - w/roller	174.80
B3904	63	GAS DOOR ASSEMBLY - 2nd design	94.95
B3906	64	GAS DOOR ASSEMBLY	100.85
B3908	65	GAS DOOR ASSEMBLY	105.55
B3902	66	GAS DOOR ASSEMBLY - white LH corner flag, serial #001-8930 & #26468-27720	101.40
B3910	66	GAS DOOR ASSEMBLY - black LH corner flag, serial #8931-26467	92.25
B3912	67	GAS DOOR ASSEMBLY	134.95
B3909	63-67	NUT - gas door bezel, on body, 'J' shape	1.05
B3911	63E	ROLLER & BRACKET - early design gas door	17.25
B3913	63E	ROLLER - 1st design gas door	4.75
B3915	63L-67	SCREW - lid latch	1.75
B3433	63-67	SCREW SET - gas door and gas door bezel, (4 pc.)	2.75

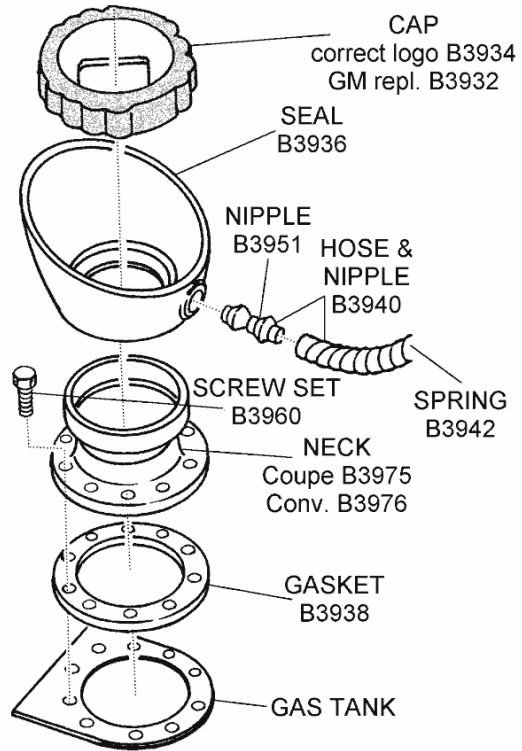
Gas Pedal & Related



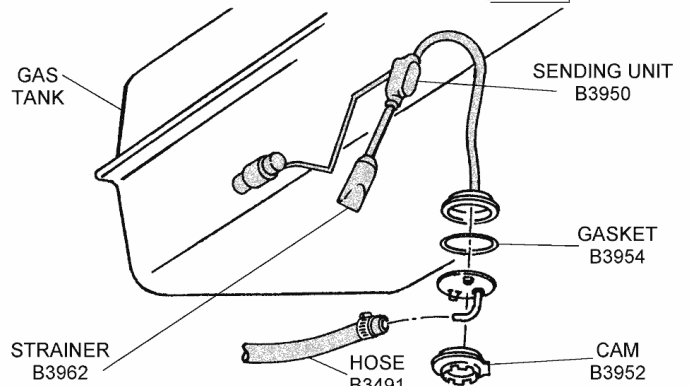
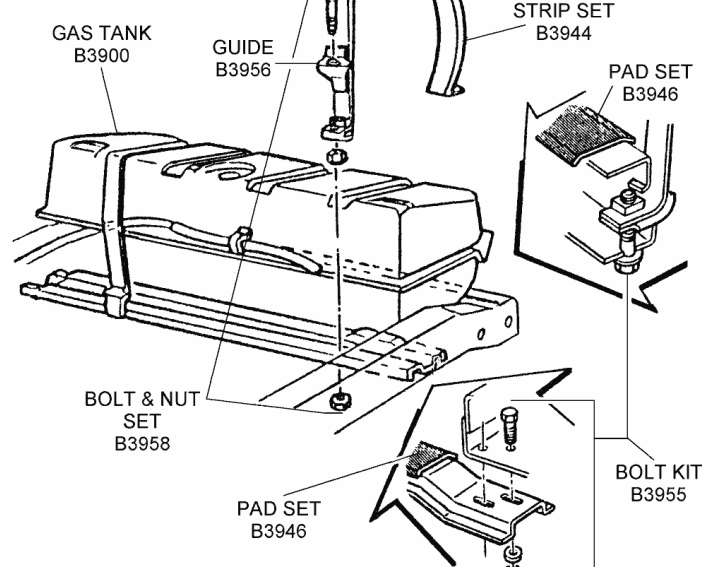
B4106	63-67	BOLT SET - gas pedal, (pr)	1.85
B2908	64-67	BRACKET - inter splash shield/gas pedal and plate mount, LH	10.05
B4108	63	NUT PLATE - gas pedal, (underbody)	10.50
B0553	63-67	PAD - anti squeak, gas pedal	2.00
B4102	63-67	PEDAL - gas	13.80
B4104	63-67	SPACER - gas pedal, (under heel pad of carpet)	6.25

Gas Tank & Installation Accessories

B3958	63-67	BOLT & NUT KIT - gas tank strap guide	4.65
B3955	63-67	BOLT KIT - gas tank support, w/flat & lock washers & nuts, (16 pc.)	11.75
B3939	64-67	BRACKET - gas tank support	132.95
B3952	63-67	CAM - gas tank sending unit/meter retainer ..	4.95
B3932	63-67	CAP - fuel, identical to original except w/o logo	22.95
B3934	63-67	CAP - fuel, w/correct 'SM' logo	29.95
B3984	63-67	CAP - fuel / locking w/2 keys / chrome	39.95
B3976	63-67	FILLER NECK - gas tank, convertible, (metal)	85.45
B3975	63-67	FILLER NECK - gas tank, coupe, (metal)	85.45
B3903	63-67	GASKET - gas cap, (fiber)	4.30
B3933	63-67	GASKET - gas cap, locking, black rubber	3.35
B3938	63-67	GASKET - gas filler neck to tank, cork	3.15
B3954	63-67	GASKET - gas tank meter, (sending unit)	4.00
B3956	63-67	GUIDE - gas tank strap, (ea)	22.20
B3940	63-67	HOSE - w/nipple, gas neck overflow	13.85
B3941	64-67	HOSE & CLAMP KIT - gas tank sender, 9'	7.50
B3943	63-66	INK - gas tank stencil, black spray	11.00
B3945	67	INK - gas tank stencil, white spray	11.00
B3937	63-67	KEY - locking gas cap, correct blank	1.95
B3951	65-67	NIPPLE - gas tank drain hose	4.70
B0543	63-67	OVER FLOW KIT - gas tank, includes gas neck seal & nipple	34.95
B3946	63-67	PAD SET - gas tank (straps to tank) anti-squeak, under straps, (pr)	7.95
B3974	63-67	PAD SET - gas tank (straps to tank), gas resistant, wear resistant (pr)	10.00
B3960	63-67	SCREW SET - gas tank neck to tank, (9 pc.) ..	14.20



GAS TANK ASSEMBLY



B3936	63-67	SEAL/BOOT - gas neck	32.90
B3950	63-67	SENDING UNIT - gas tank meter	64.95
B3942	63-67	SPRING - filler neck overflow hose support ..	7.10
A1980	63-67	STABILIZER - gas, 4 oz. needed per 5 gallons of gas	4.50
B3947	63-67	STENCIL - gas tank	17.60
B3962	63-67	STRAINER - gas tank sending meter	13.50
B3935	63-67	STRAP SET - gas tank, (pr)	20.70
B3948	63-67	STRAP SET - gas tank, reinforced end (pr) ..	28.00

B3961 63-67	TANK - gas, identical to B3900 except w/o O. L. Anderson logo, w/ gaskets & cam189.95
B3900 63-67	TANK KIT - gas, correct, w/rounded side indents and no tubes, w/ AO Smith logo, w/o filler neck, includes sending unit gasket, retainer cam & filler neck gasket., identical to original, w/straps251.05
B2984 65-67	TIE STRAP - black 'T' shaped to retain lower end gas tank overflow hose2.25
B2985 63-64	TIE STRAP - white 'T' shaped to retain lower end gas tank overflow hose1.90
B3949 63-67	TOOL - gas tank meter (sending unit) cam removal16.75

Gas Tank: 36 Gallon NO3

B4052 63-67	FITTING - 'T' & elbow, brass, in tank bottom 36 gallon25.00
B3919 63-67	GASKET - gas tank meter/sending unit, 36 gallon3.00
B4051 63-67	HOSE & CLAMP SET - rear fuel line to 36 gallon tank,33.00
B3921 63-67	NUT PLATE SET - gas tank cover, w/rievet, 36 gallon, (24 pc.)21.35
B3923 63-67	NUT SET - gas tank cover, 36 gallon 'U' shape, (16 pc.)8.95
B3931 63-67	SCREW SET - gas tank cover, 36 gallon, (30 pc.)31.75
B3927 63-67	SCREW SET - gas tank filler neck to housing, 36 gallon, (5 pc.)5.95
B4050 63-67	STRAP SET - 36 gallon gas tank, NOS, (pr) ..66.75

Gas Tank: Tank to Fuel Pump Fuel Lines

NOTE: Some fuel lines may have to be bent in order to ship. Easily unbends.

B1139 65-67	BOLT KIT - fuel line clips, 'E' headmark, (6 pc.)6.50
B5023 63-64	BOLT KIT - fuel line clips, 'LG' headmark, (6 pc.)4.65
B5077 63-67	BUSHING - fuel line in frame, plastic3.15
B5075 63-67	CLAMP SET - fuel line flex hose2.35
B5076 64-66	CLAMP SET - spring steel, fuel line, (6pc.) ..5.45
B3858 63-67	CLIP SET - fuel lines, (5 pc.)3.40
B3969 64-66	HOSE & CLAMP KIT - fuel pump inlet, 340-375hp, w/fitting12.05
B3857 64-67	HOSE & CLAMP KIT - fuel pump to long line ...9.95
B3866 63	HOSE & TOWER CLAMPS - fuel pump to long line11.70
B3864 63	HOSE & TOWER CLAMPS - rubber, fuel tank sending unit to line11.70
B3865 64-67	HOSE & TOWER CLAMPS - rubber, fuel tank sending unit to line, 15'10.50
B3855 63-65	LINE KIT - fuel, frame line to fuel pump inlet pipe w/90 degree fitting (64-65 250/300hp)10.00
B3861 63-65	LINE - fuel, frame line to fuel pump inlet pipe w/90 degree fitting, stainless steel ...12.95
B3853 63-67	LINE - fuel, tank to pump w/spiral armor, w/327, steel72.95
B3859 63-67	LINE - fuel, tank to pump w/spiral armor, w/327, stainless steel79.65
B3854 65-67	LINE - fuel, tank to pump w/spiral armor, 396/427, steel63.95
B3860 65-67	LINE - fuel, tank to pump w/spiral armor, 396/427, stainless steel79.65
B3868 65-67	LINE SET - rear fuel front to rear, w/Z06 & 396/427, steel87.50
B3867 63-67	LINE SET - long fuel front to rear, w/Z06 & 327, SS131.90
B3971 63-67	LOOM - tank to pump fuel line, at rear5.45

GASKETS, GASKET KITS & SEALS



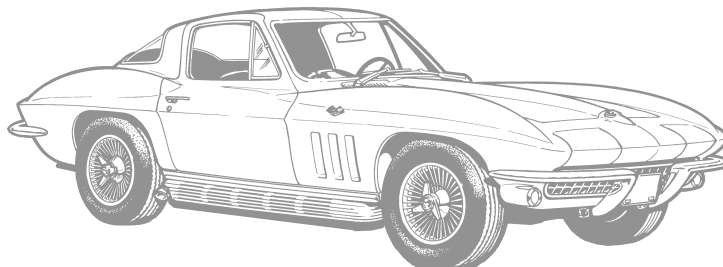
GASKETS & SEALS

B3938 63-67	GASKET - gas filler neck to tank, cork3.15
B3919 63-67	GASKET - gas tank meter/sending unit, 36 gallon3.00

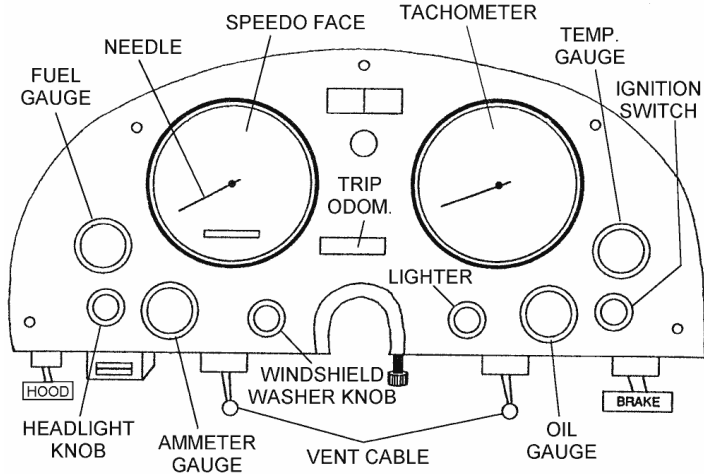
B4891 63-67	GASKET - hard top rear deck lid ferrule2.35
A6098 63-67	GASKET - license light assembly to body5.65
A4042 63-67	GASKET - license light lens, (gray)4.95
A4013 63-67	GASKET - license light lens, white, correct ..6.00
B6442 63E	GASKET - long base mirror bracket7.00
B1279 63	GASKET - master cylinder cap5.00
B1008 65-66	GASKET - master cylinder cover, w/o PB14.00
B1014 67	GASKET - master cylinder lid11.50
B1050 63-67	GASKET - master cylinder to fire wall3.65
B6515 63-67	GASKET - oil cap, w/hole3.75
A4012 63-67	GASKET - outside mirror2.00
A4040 63-67	GASKET - tail light lens, cork, (ea)6.80

1963-67 GASKET SETS				
B0485	63-64	GASKET SET		
B0486	65-66	GASKET SET		
B0487	67	GASKET SET		
A0526	63-67	GASKET - antenna	1	1 1
B4022	67	GASKET - back-up light lens (pr)	1	
B4004	65-67	GASKET - door handles (4pc)	1	1
B4002	63-67	GASKET - door handles (4pc)		1
A4024	63-67	GASKET - door lock bezels	1	1 1
A4042	63-67	GASKET - license light lens	1	1 1
A4012	63-67	GASKET - outside mirror	1	1 1
B4010	63-67	GASKET - parking light lens (pr)	1	1 1
A4040	63-67	GASKET - tail light lens	4	4 4
A4044	63-67	GASKET - tail light to body	1	1 1
B4030	63-67	GASKET - washer nozzle	1	1 1

B0485 63-64	GASKET KIT - BODY / see chart for details ...24.15
B0486 65-66	GASKET KIT - BODY / see chart for details ...25.95
B0487 67	GASKET KIT - BODY / see chart for details ...29.95
B0162 67	GASKET SET - air cleaner to carburetors, 3x2, (3 pc.)8.00
B4022 67	GASKET SET - back-up light lens, (pr)4.25
B0606 67	GASKET SET - carburetors to intake 3x2, (3 pc.)9.00
B4002 63-64	GASKET SET - door handle outer, (4 pc.)5.00
B4004 65-67	GASKET SET - door handle outer, (4 pc.)5.00
A4024 63-67	GASKET SET - door locks, (pr)3.00
A4054 63-67	GASKET SET - hard top anchor nut, (pr)2.10
B4010 63-67	GASKET SET - parking light lens, (pr)2.80
B3929 63-65	GASKET SET - plenum to intake, (4 pc.)12.00
B4024 64-67	GASKET SET - rear soft top locks on deck lid, plastic, (pr)4.90
B7547 63	GASKET SET - rear soft top locks on deck lid, rubber, (pr)4.50
A4044 63-67	GASKET SET - tail light housing to body, gray, (4 pc.)8.10
B4030 63-67	GASKET SET - windshield washer nozzles, (pr) .1.35
B4821 63-67	NUT & WASHER SET - hardtop rear mount bolts (4pc)1.00
B5680 63-67	PLUG SET - floor pan, under carpet, (8 pc.) ..6.00
B2926 63-67	SEAL - fuse block on firewall4.35
B2930 63-67	SEAL - steering column at firewall5.80
B2928 63-67	SEAL - wiper motor on firewall3.95
B5106 63-67	SEAL KIT - fresh air vent door, w/rievets, (does 2 doors)11.50
B2924 63-67	SEAL KIT - outer splash shield w/strip, (pr) 10.95
B2939 63-67	SEAL/GASKET - battery cover, w/AC or 396/427. .8.00
B1065 64-67	SEAL/GASKET - power brake booster, front23.50



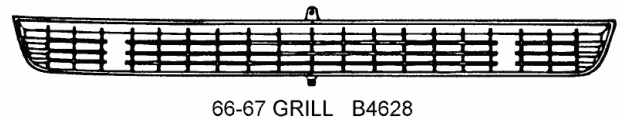
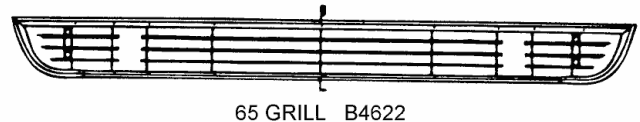
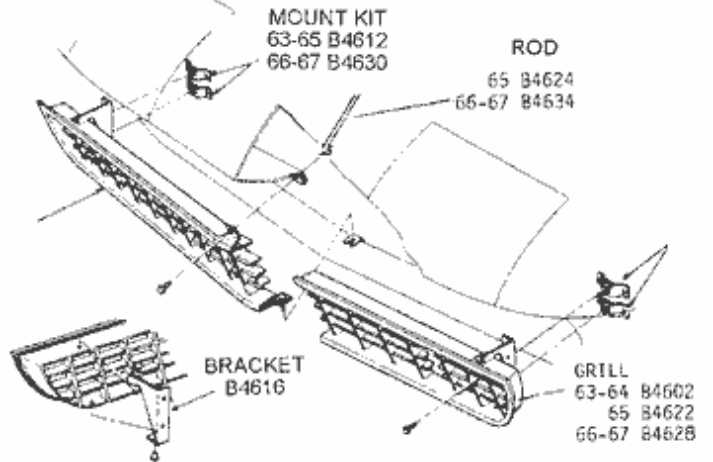
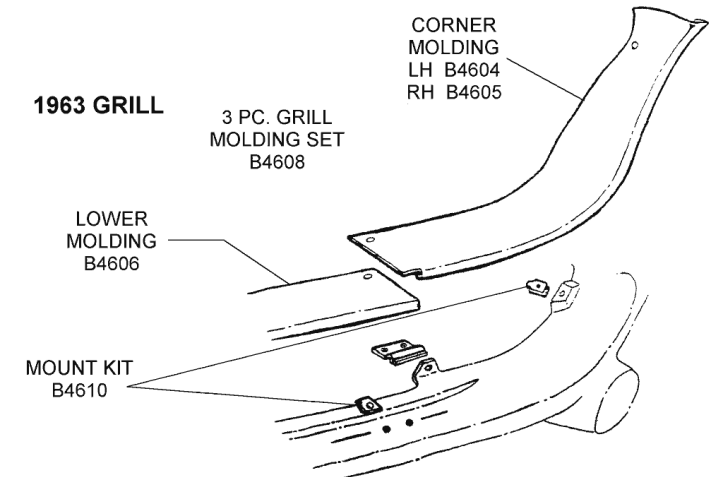
GAUGES, GAUGE LENS & RELATED PARTS



B2160 63-64E	CABLE - w/knob & nut, odometer reset	47.50
B0014 64L-67	CABLE - w/knob & nut, odometer reset, brass body	46.55
B7153 63-67	CAPACITOR - on ammeter gauge, behind dash	29.35
B7155 63-67	CAPACITOR - on dash rear, near ignition switch	29.35
B7154 63-67	CAPACITOR - on turn signal switch, between starter & fuse block	27.00
A4221 63-67	CUSHION W/SCREW - tachometer & speedometer mounting	4.90
B4230 65-67	FACE - 5500 redline tachometer	26.75
B4260 65-67	FACE - 6000 redline tachometer	21.75
B4261 65-67	FACE - 6500 redline tachometer	25.90
B0538 65-67	FACE - speedometer	30.00
B2153 63-67	FILTER SET - dash bulbs, 2 green turn signal, 1 red brake light	33.75
B0539 63-67	GASKET - trip odometer lens, (foam)	5.15
B4253 63-67	GASKET SET - dash and odometer lens (23 pc.)	10.15
B4232 63	GAUGE - ammeter	89.95
B4203 64	GAUGE - ammeter	79.95
B4236 65-67	GAUGE - ammeter	79.95
B4238 63	GAUGE - fuel	89.95
B4240 64	GAUGE - fuel	89.95
B4242 65-67	GAUGE - fuel	79.95
B4254 63E	GAUGE - oil pressure, 60#	89.95
B4243 63L	GAUGE - oil pressure, 80#	89.95
B4277 64	GAUGE - oil pressure, 80#	89.95
B4251 65-67	GAUGE - oil pressure, 60#	79.95
B0727 65-67	GAUGE - oil pressure, 80#	79.95
B4244 63	GAUGE - temperature	89.95
B4204 64	GAUGE - temperature	79.95
B4248 65	GAUGE - temperature	79.95
B4201 66-67	GAUGE - temperature	79.95
B0541 63-67	GEAR - odometer drive, (plastic)	14.45
B0046 63E	HARNES - over rev warning buzzer, all w/ L76 - L84	16.75
B4270 67	KNOB - speed warning	39.00
B4252 63-67	KNOB - trip odometer reset	3.15
B4214 63-67	LENS - clock	16.30
B4202 63	LENS - dash gauges - large, plastic, (2 req.) (ea)	10.85
B4208 64-67	LENS - dash gauges - large, glass, (2 req.) (ea)	7.80
B4210 64-67	LENS - dash gauges - small, glass, (4 req.) (ea)	6.45
B4212 63-67	LENS - trip odometer	13.65
B4206 63	LENS KIT - dash, for all gauges, plastic, (7 pc.)	57.50
B4275 63	LENS KIT - dash, small gauge, plastic, (4 pc.)	19.90
B4216 63-64	NEEDLE - speedo/tach	49.05
B4218 65-67	NEEDLE - speedo/tach	15.50
B4213 65-67	NEEDLE/POINT SET - small gauges (4pc)	17.95
B4256 63-67	NUT - trip odometer cable on dash	7.45
B4266 63-67	PAINT - florescent orange touch-up, jar	7.00
B4267 63-64	PAINT - frost silver color dash cluster, spray can	9.95
B4249 63-67	RESTORATION SERVICE - speedometer	90.00
A8797 63-67	RETAINER - speedometer gear fitting	3.80
B0527 65-67	RIVET SET - gauge face, (2 pc.)	1.50
A4252 63-67	SCREW SET & CUSHION SET - speedo/tach mount, (2 pc.)	3.00
A4233 63-67	SCREW SET - gauge face mounting	2.95
B4224 65-67	TACHOMETER - 5500 redline, 250-300hp & '66 390hp	169.95

B4226 65-67	TACHOMETER - 6000 redline, 350, 400hp & '67 390hp	169.95
B4228 65-67	TACHOMETER - 6500 redline, 360-375hp & 425-435hp	169.95

GRILLE



B4631 63-67	BOLT & WASHER KIT - lower nose support rod to bracket, 'PSC' headmark, (pr)	4.00
B4612 63-64	BRACKET & MOUNT KIT - grille, (12 pc.)	18.30
B4630 65-67	BRACKET & MOUNT KIT - grille, (28 brackets, nuts, rivets & screws (20 pc.)	24.10
B4616 66-67	BRACKET - grille support, outer, (2 req.) (ea)	10.60
B4614 63-64	BRACKET KIT - grille mounting, (2 pc.)	15.50
B4618 65-67	BRACKET KIT - grille mounting, (4 pc.)	23.45
B4601 63-64	CLIP - grille molding, (5 req.) (ea)	4.00
B4602 63-64	GRILLE ASSEMBLY	279.00
B4622 65	GRILLE ASSEMBLY	449.00
B4628 66-67	GRILLE ASSEMBLY	569.00
B0474 63-67	GRILLE ASSEMBLY - race design (no bumper cutouts) (63-64style)	250.00
B4604 63-64	MOLDING SET- grille, corner, LH & RH / aluminum	108.60
B4606 63-64	MOLDING - grille, lower	79.00

B4608 63-64	MOLDING KIT - grille surround, w/screws, (3 pc.)	184.00
B4610 63-64	MOUNTING KIT - grille moldings, (20 pc.)	25.35
B4600 63-64	NUT - grille brackets, 'J' shape, (10 pc.)	5.00
B4609 65-67	NUT - grille retaining on body, 'J' shape (ea)	1.00
B4651 65-67	NUT - lower grille, 'U' shape	1.00
B4620 63-64	NUT KIT - grille mounting, 'J' shape, (pr)	4.35
B4621 65-67	NUT KIT - grille mounting, 'J' shape, (4 pc.)	8.00
B4607 63E	NUT SET - grille brackets, 'U' shape, for sheet metal screws, (10 pc.)	2.50
B4611 63-64	NUT SET - grille molding mount, 'U' shape, (6 pc.)	1.95
B4267 66-67	PAINT - frost silver color to detail grille	9.95
B4627 63-64	RIVET SET - grille brackets, (4 pc.)	1.00
B4629 65-67	RIVET SET - grille brackets, (8 pc.)	2.40
B4613 66-67	RIVET SET - grille support brackets, outer, (4 pc.)	1.25
B4624 65	ROD - center grille support	16.00
B4634 66-67	ROD - center grille support	14.50
B3443 63-64	SCREW & 'U' NUT KIT - grille, mounting, (30 pc.)	11.25
B4623 65	SCREW - bottom of center grille brace	1.50
B4615 63-67	SCREW - grille support rod to header	1.00
B4650 65-67	SCREW SET & WASHERS - grille, mounting, (3 screws & 3 washers) (6pc)	3.10
B4625 63E	SCREW SET - grille, sheet metal type (12pc)	6.00
B3442 63-64	SCREW SET - grille molding, (6 pc.)	3.00
B4603 63-64	SCREW SET - grille, molding clips, (10 pc.)	2.50
B4617 63-64	SCREW SET - grille, (12 pc.)	6.20
B4619 65-67	SCREW SET - grille, (6 pc.)	3.15

B4976 63-65	BRACKET - below horn units, headlight & nose support rod, connects on core support to valance panel, 'L' shape, (2 req.)	10.00
B4977 66-67	BRACKET - below horn units, headlight & nose support rod, connects on core support to valance panel, 'L' shape, (2 req.) (ea)	10.00
B2696 63-66	CIRCUIT BREAKER - headlight motor	26.50
B2695 64-67	CLIP - headlight motor relay/circuit breaker	17.00
B9944 63-67	CLIP SET - wire harness to header bar, (4 pc.)	20.70
B4933 63-67	END PLATE - headlamp reinforcement, w/o fiberglass, LH inner	21.95
B4935 63-67	END PLATE - headlamp reinforcement, w/o fiberglass, LH outer	21.95
B4932 63-67	END PLATE - headlamp reinforcement, w/o fiberglass, RH inner	21.95
B4934 63-67	END PLATE - headlamp reinforcement, w/o fiberglass, RH outer	21.95
B4929 63-67	END PLATE - headlight inner headlight opening end reinforcement w/fiberglass, LH	72.25
B4927 63-67	END PLATE - headlight inner headlight opening end reinforcement w/fiberglass, RH	72.25
B4931 63-67	END PLATE - headlight outer headlight opening end reinforcement w/fiberglass, LH	72.25
B4930 63-67	END PLATE - headlight outer headlight opening end reinforcement w/fiberglass, RH	72.25
B4968 63-67	FIBERGLASS - fastens to steel end plate, LH, inner	16.85
B4941 63-67	FIBERGLASS - fastens to steel end plate, RH, inner	12.95
B4969 63-67	FIBERGLASS - fastens to steel end plate, RH, outer	12.95
B2705 63-67	NUT & LOCK WASHER SET - power window circuit breaker	1.00
B0928 63-67	REINFORCEMENT HEADER BAR - (in front of hood) steel w/fiberglass riveted on	186.05
B0926 63-67	REINFORCEMENT HEADER BAR - (in front of hood) steel w/o fiberglass	100.90
B8635 64-67	RELAY - headlight motor actuator	46.75

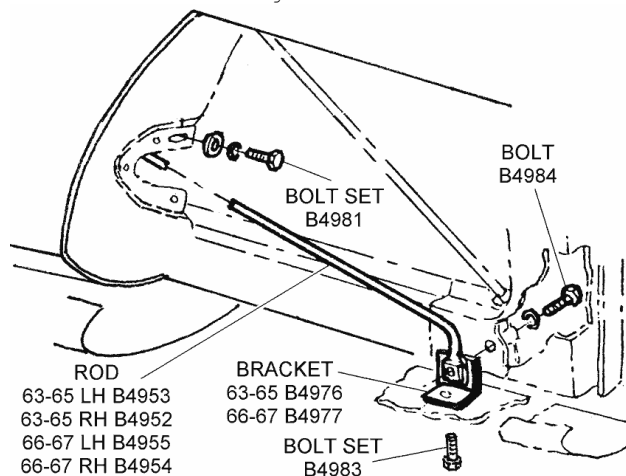
HEADLIGHT SYSTEM

Bucket & Related

A4912 63-67	ADJUSTER/SUPPORT ASSEMBLY - headlight capsule, w/screw	3.10
B4949 63-67	BEZEL - headlight, LH	123.95
B4966 63-67	BEZEL - headlight, RH	123.95
B4888 63E	BUCKET/METAL - headlights LH, fastens to fiberglass bucket framework / holds headlight capsules, reconditioned original	229.95
B4899 63E	BUCKET/METAL - headlights RH, fastens to fiberglass bucket framework / holds headlight capsules, reconditioned original	229.95
B4898 63L-67	BULB KIT - incl. correct T3 bulb set, cups, bulb retainers & screws	239.95
B4995 63-67	BUMPER/INSULATOR SET - headlight capsule, (4 pc.)	5.20
B4947 63-67	CUP - headlight bulb retaining, inner, LH	16.50
B4951 63-67	CUP - headlight bulb retaining, inner, RH	16.50
B4948 63-67	CUP - headlight bulb retaining, outer, LH	16.50
B4964 63-67	CUP - headlight bulb retaining, outer, RH	16.50
B4870 63-67	HEADLIGHT ASSEMBLY - LH [w/o bulbs]	589.00
B4871 63-67	HEADLIGHT ASSEMBLY - RH [w/o bulbs]	589.00
B4940 63-67	HOUSING/BUCKET - headlight, LH	249.95
B4943 63-67	HOUSING/BUCKET - headlight, RH	249.95
B4974 63-67	NUT SET - headlight bezel, on bucket, 'J' shape, (4 pc.)	1.65
B4944 63-67	PLUG SET - headlight bucket hole, (4 pc.)	3.00
A4931 63-67	RING - headlight bulb retaining, stainless steel, (4 req.) (ea)	22.60
B3431 63E	SCREW SET - headlight bezel, (8 pc. - 4 long, 4 short)	4.00
B3438 63L	SCREW SET - headlight bezel, (8 pc.)	4.00
B3434 64-67	SCREW SET - headlight bezel, (8 pc.)	4.00
B4897 63E	SCREW SET - headlight bucket (metal) to fiberglass headlight Housing (8 PC)	4.75
B4972 63-67	SCREW SET - headlight bulb retaining rings, (6 pc.)	2.80
A4999 63-67	SCREW SET - headlight capsule adjuster to door, 20pc	6.95
B4975 63-67	SCREW/WASHER KIT - headlight motor to bracket	1.25
A4910 63-67	SPRING - headlight capsule tension, straight type	2.50

Components on Body

A6530 63-67	BOLT - w/star washer 'L' headmark - attaches headlamp end plates to header bar, (8 req.) (ea)	1.00
B4961 66-67	BOLT SET - for upper radiator support bracket to radiator support, 'TR' headmark, (4 pc.)	11.25
B4983 63-67	BOLT SET - headlight nose support rod bracket to valance, (pr)	1.65
B4984 63-67	BOLT SET - lower headlight nose support rod	2.85
B4981 63-67	BOLT SET - upper headlight nose support rod, 'WB' headmark	2.50



B4953 63-65	ROD - headlight & nose support, LH	16.50
B4952 63-65	ROD - headlight & nose support, RH	16.50
B4955 66-67	ROD - headlight & nose support, LH	16.50
B4954 66-67	ROD - headlight & nose support, RH	16.50
B4914 63-67	SCREW - headlight motor bracket to motor	1.00
B2713 67	SCREW SET - headlight circuit breaker, (2pc.)	1.05
B4971 63-67	SCREW SET - headlight limit switch, (4 pc.)	2.65
B4913 63-67	SWITCH - headlight limit, motor, bucket, rotating (2 req.) (ea)	11.65

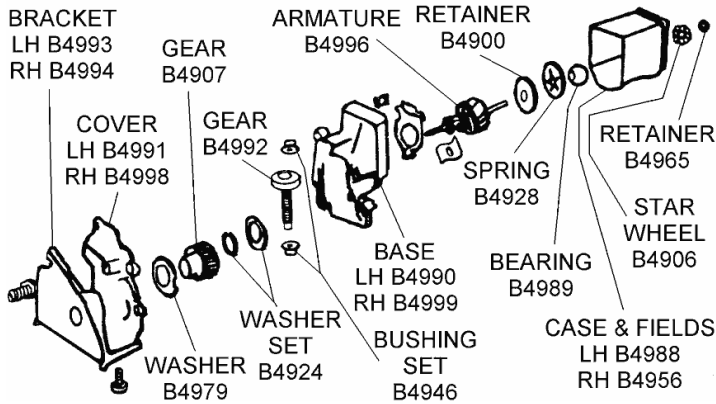
Dash

B5112 63-66	BOLT SET - hood release cable brackets to dash	1.90
B5114 67	BOLT SET - hood release cable brackets to dash	2.00
B1300 64-66	BOLT SET - parking brake handle bracket to dash	1.85
A6035 63-67	BULB - headlight motor warning, (flashing)	2.20
B2696 63-67	CIRCUIT BREAKER - (67 replacement)	26.50
B4910 63-67	CONNECTOR - headlight door opening switch, w/leads	16.55
B2117 63	KNOB - headlight switch, w/rod	23.95
A2107 64	KNOB - headlight switch, w/rod	27.85
B2198 65	KNOB - headlight switch, w/rod	23.95
B2178 66	KNOB - headlight switch, w/rod	24.65
B2179 67	KNOB - headlight switch, w/rod	31.39
B2705 63-67	NUT & LOCK WASHER SET - headlight motor circuit breaker	1.00
B8611 63-67	NUT - headlight switch	18.00

B2713	67	SCREW SET - headlight circuit breaker, (2pc.)	1.05
B3415	63-67	SCREW SET - headlight door open switch, on dash, w/nuts, 4 pc.	2.75
B0614	63-67	SPRING CLIP- headlight door open switch plug.	4.85
A8699	63	SWITCH - headlight (on/off), on dash	29.95
B8610	64-67	SWITCH - headlight (on/off), on dash	23.15
B8604	63-67	SWITCH - headlight dimmer	10.40
B8612	64-66	SWITCH - headlight, Delco # 1995179, NOS	74.95
B8644	67	SWITCH - headlight, Delco # 1995149, NOS	74.95
B2180	63-67	SWITCH & BEZEL - headlight door opening, on dash	110.35

Motor & Components

1963-67 HEADLAMP MOTOR



Procedure to Remove a 1967-67 Headlamp Motor

Please read through every step before starting -- this procedure takes 2 people.

1. Open hood, put bolt and nut into the safety hood support hole, so that the hood will not close while working on the front area of the car.
2. Disconnect the battery.
3. Manually rotate the star wheel to remove the load from the headlamp motor.
4. Remove hairpin from the alignment shaft (stud) by pulling straight out.
5. Remove hex head bolt from the support bracket (header to headlamp motor). **Note:** This hex head bolt on the motor also holds the black ground wire.
6. Slide the support bracket off the header grommet.
7. Unplug power source connector by depressing nylon tab on connector, then pulling straight out.
8. Remove the 2 wires on the micro switch by pulling straight off.
Protect your radiator to prevent accidental damage.
9. Slide motor off shaft (stud) towards the center of the car. Once the motor is off the shaft (stud) place the motor on top of the fiberglass valance in front of the core support.
At this time, keep your hands away from area in front of the hood.
10. Have assistant remove the safety bolt and nut from hood support and open the hood to the furthest position and hold, have your assistant hold it there so that the motor can be pulled out from area between the header (t piece) and the opened hood.
11. Reach in and remove motor, you will need to rotate the motor as it's coming out. **Note:** Take extra care during this step not to scratch your paint.
12. Once the motor is out and your hands are clear, instruct your assistant to either close the hood or put the safety bolt and nut back into the safety hood support hole.

B4996	63-67	ARMATURE - headlight motor, (recond.)	129.95
B4860	63-67	ARMATURE END BEARINGS & SPRING - repair, headlight motor	35.00
B4990	63-67	BASE - motor drive assembly, LH (recond.)	89.95
B4999	63-67	BASE - motor drive assembly, RH (recond.)	89.95
B4989	63-67	BEARING - headlight motor, bronze, (ea)	9.95
B4997	63-67	BOLT - headlight motor assembly / drive end to body	2.50
B4993	63-67	BRACKET - LH headlight motor, 'L' shape	54.95
B4994	63-67	BRACKET - RH headlight motor, 'L' shape	54.95
B4861	63-67	BRUSH REPLACEMENT - headlight motor	15.00
B4946	63-67	BUSHING SET - headlight motor gear, (top hat style) (pr)	6.50
B4988	63-67	CASE & FIELDS - headlight motor, LH, (recond.)	179.95
B4956	63-67	CASE & FIELDS - headlight motor, RH, (recond.)	179.95
B4991	63-67	COVER - motor drive assembly, LH (recond.)	89.95

B4998	63-67	COVER - motor drive assembly, RH (recond.)	89.95
B4980	63-67	DATING - headlight motor	65.00
B4864	63-67	FIELD BEARING & SPRING REPAIR - headlight motor	52.95
B4907	63-67	GEAR - headlight motor main drive	50.75

TECH TIP: A simple test can be performed just before installing a headlight motor. Open the headlight bucket to the upright position and lightly touch the back side. If the bucket does not close easily by itself, the shafts probably need to be cleaned or aligned, the balls may need lubricating or replacing, or it could be a combination of all these factors.

B4992	63-67	GEAR - in headlight motor drive unit, worm type, (recond.)	145.00
B4901	63-67	HEADLIGHT MOTOR - LH / NEW	389.00
B4902	63-67	HEADLIGHT MOTOR - RH / NEW	389.00
B4903	63-67	MOTOR ASSEMBLY - headlight, rebuilt exchange, LH	119.95
B4904	63-67	MOTOR ASSEMBLY - headlight, rebuilt exchange, RH	119.95

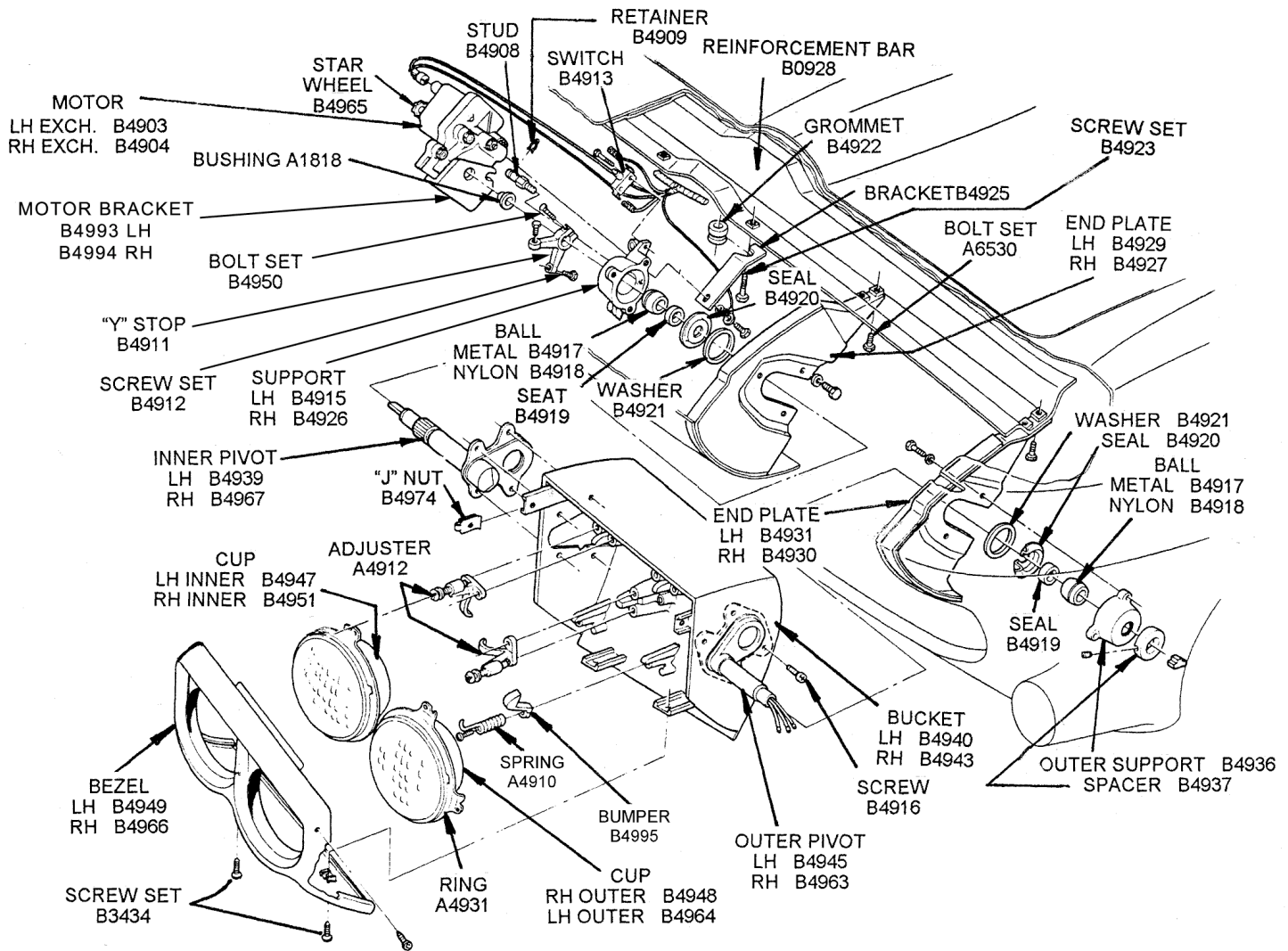
We now can restore/rebuild any original headlight motor. There is an additional charge for replacement of armatures, fields or rear armature bearing.

B4889	63-67	MOUNT KIT - headlight motor, (10 pc.)	19.95
B4862	63-67	PLASTIC END PLUG & INSTALLTION - headlight motor	39.95
B4900	63-67	RETAINER - headlight motor bearing spring, (ea)	8.50
B4965	63-67	RETAINER SET - headlight motor star wheel, (pr)	1.20
B4978	63-67	SCREW & WASHER - headlight motor to bracket, each	1.25
B4987	63-67	SCREW SET - aluminum 'L' bracket to headlight motor, (4 pc.)	4.25
B4928	63-67	SPRING - headlight motor bearing retainer, (ea)	8.45
B4906	63-67	STAR WHEEL - headlight motor adjuster	6.25
B4959	63-67	STUD & NUT - headlight motor armature adjusting	5.75
B4979	63-67	WASHER - headlight motor drive gear, nylon, (2 req.) (ea)	3.95
B4924	63-67	WASHER SET - headlight motor drive gear, hard steel, (1 curved, 1 flat) (pr)	3.65

Pivot Components

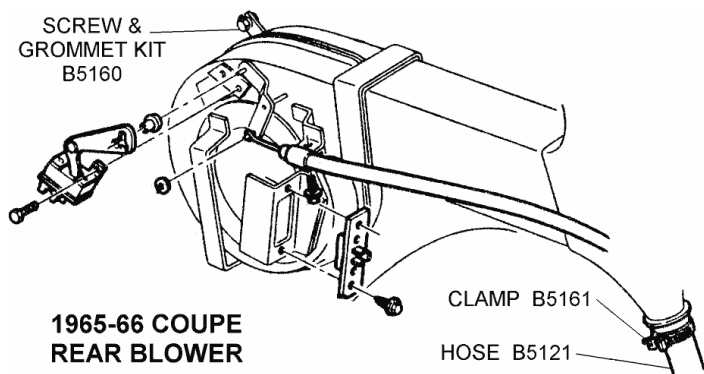
B4917	63-67	BALL BEARING - headlight pivot support original metal, (4 req.) (ea)	8.45
B4918	63-67	BALL BEARING SET - headlight pivot support improved, nylon (4 pc.)	34.80
B4950	63-67	BOLT - headlight pivot support bolt	1.25
A1818	63-67	BUSHING - headlight motor pivot, (ea)	3.65
B4922	63-67	GROMMET - headlight motor bracket	5.65
B4962	63-67	REBUILD KIT - headlight bearings, nylon pivot balls and seal kit (B4918 & B4970)	53.95
B4909	63-67	RETAINER - headlight motor support stud	1.05
B4916	64-67	SCREW - headlight pivot support, (16 req.) (ea)	1.00
B4882	63-67	SCREW SET - end assembly mounting, (8 pc.)	6.00
B4912	63-67	SCREW SET - headlight 'Y' stop, (pr.)	4.90
B4938	63-67	SCREW SET - headlight end collar spacer, (2 pc.)	1.00
B4923	63-67	SCREW SET - headlight motor bracket grommet, (pr)	2.45
B4905	63-67	SCREW SET - headlight opening end to header, (8 pc.)	7.25
B4881	63-67	SCREW SET - outer support retaining, (12 pc.)	12.45
B4920	63-67	SEAL - headlight pivot ball, rubber	3.70
B4919	63-67	SEAL - headlight pivot bearing, felt	2.00
B4970	63-67	SEAL KIT - headlight repair (4 rubber & felt seals w/metal washers) (12 pc.) (does both sides)	22.85
B4939	63-67	SHAFT - headlight inner pivot, LH	72.85
B4967	63-67	SHAFT - headlight inner pivot, RH	72.85
B4945	63-67	SHAFT - headlight outer pivot, LH	58.95
B4963	63-67	SHAFT - headlight outer pivot, RH	58.95
B4937	63-67	SPACER - headlight housing	11.45
B4911	63-67	'Y' STOP - headlight opening, (2 req.) (ea)	25.80
B4908	63-67	STUD - headlight motor support	23.45
B4915	63-67	SUPPORT - headlight inner pivot, LH	41.75
B4926	63-67	SUPPORT - headlight inner pivot, RH	41.75
B4936	63-67	SUPPORT - headlight outer pivot, (2 req.) (ea)	43.15
B4921	63-67	WASHER - headlight bearing seal	4.00





HEATER & VENT SYSTEM

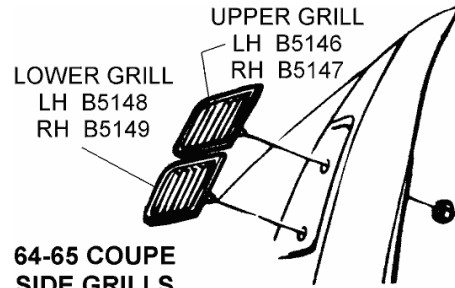
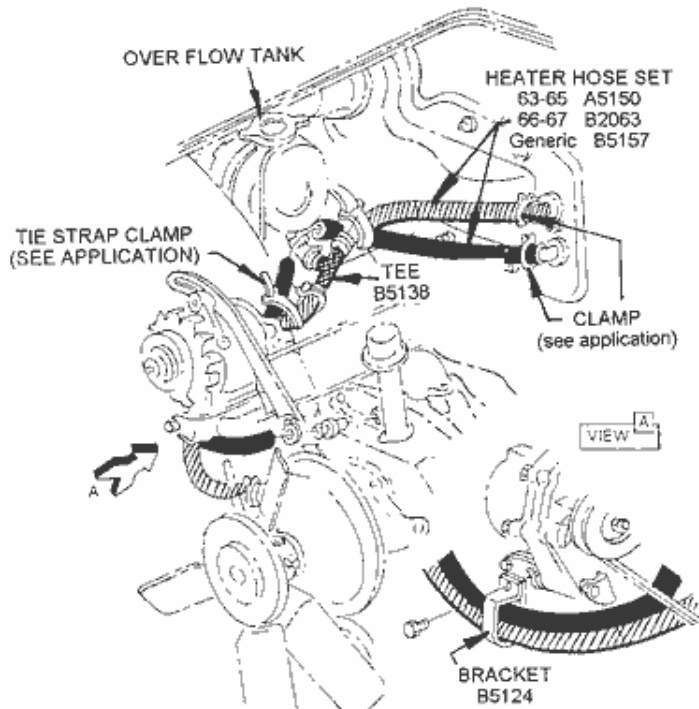
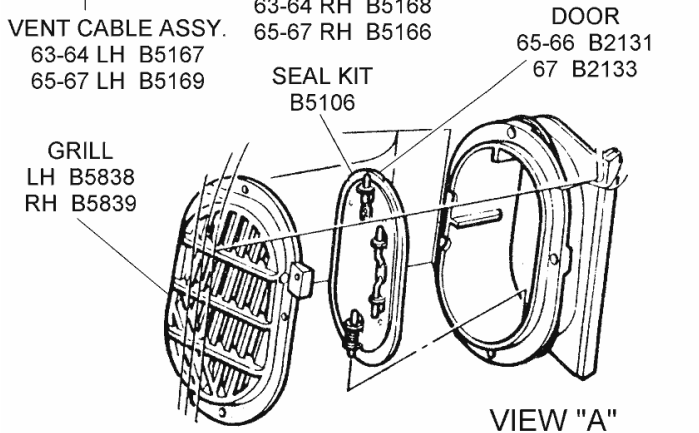
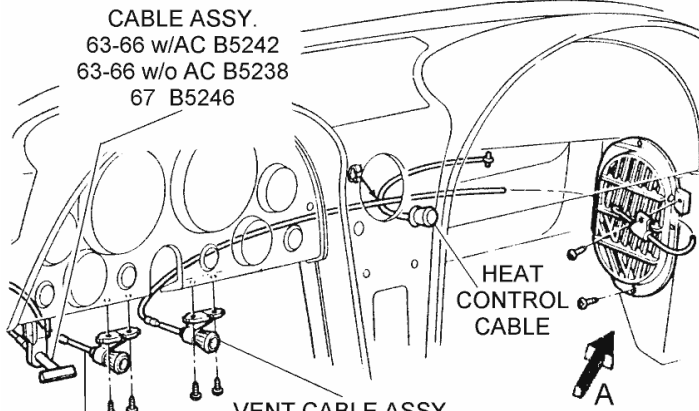
Heater & Vent System



1965-66 COUPE REAR BLOWER

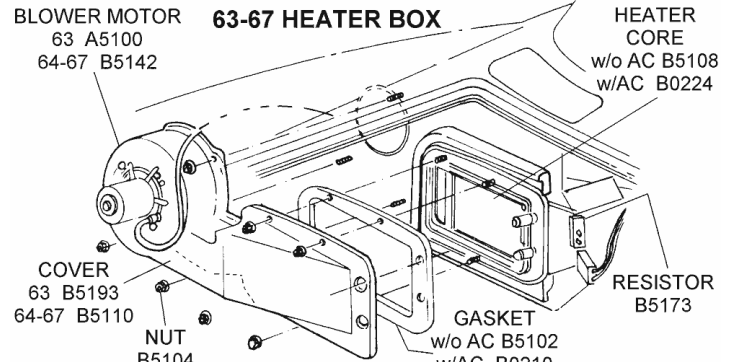
B5117 63-65	BOLT - heater hose bracket to alternator	1.00
B0311 66-67	BOLT SET - AC hose bracket, 427, (2 pc.)	1.00
B5115 64-67	BOLT SET - heater hose bracket to inner fender, (4 pc.)	2.40
B5124 63-67	BRACKET - heater hose, on alternator	12.90
B5132 66-67	BRACKET/RETAINER - heater hose, RH inner fender, 327 w/AC & 427	56.10
B0555 63-65	CABLE & SWITCH heater blower, (w/o air) (LH)	169.00
B0556 66-67	CABLE & SWITCH heater blower, (w/o air) (LH)	169.00
B0557 63-67	CABLE - defroster, W/O AC, RH	66.45
B5174 63-64	CABLE - vent, LH, w/AC	79.95
B5175 65-66	CABLE - vent, LH, w/AC	79.95
B5167 63-64	CABLE ASSEMBLY - fresh air vent, w/knobs & bracket, LH	62.95
B5168 63-64	CABLE ASSEMBLY - fresh air vent, w/knobs & bracket, RH	67.20

B5169 65-66	CABLE ASSEMBLY - fresh air vent, w/knobs & bracket, LH	89.25
B5166 65-66	CABLE ASSEMBLY - fresh air vent, w/knobs & bracket, RH	59.50
B0563 64	CABLE ASSEMBLY - rear blower vent w/air	130.00
B0561 64	CABLE ASSEMBLY - rear blower vent w/o air	115.00
B5133 65	CABLE ASSEMBLY - rear blower vent w/air	130.00
B5131 65	CABLE ASSEMBLY - rear blower vent w/o air	124.00
B5152 63-64	CABLE ASSEMBLY KIT - fresh air vent, w/knobs & bracket, (pr)	99.95
B5153 65-66	CABLE ASSEMBLY KIT - fresh air vent, w/knobs & bracket, (pr)	129.95
B7152 64-67	CAPACITOR - on heater blower motor	45.00
B5176 64-65	CLAMP & SEAL - rear blower motor	19.30
B5161 64-65	CLAMP - drain hose, coupe, rear blower vent	2.15
B2070 63-67	CLAMP KIT - hoses, 327, w/AC, hi-perf., (16 pc.)	28.25
B2069 63-67	CLAMP KIT - hoses, w/o AC or hi-perf., (14 pc.)	33.60
B2071 65	CLAMP KIT - hoses, 396 only, (16 pc.)	29.15
B2072 66-67	CLAMP KIT - hoses, 427, (12 pc.)	28.25
B2127 63-67	CLIP - hood release cable to vent cable retainer	5.85
B5105 63-66	CLIP SET- heater cables, holds cables together under dash, (3 pc.)	3.70
B5193 63	COVER - heater box, engine compartment side, w/o AC	291.50
B5110 64-67	COVER - heater box, engine compartment side, w/o AC	265.00
B5158 64-65	COVER - rear blower vent, coupe, cardboard, (glue to carpet)	14.25
B2131 63-66	DOOR - fresh air vent, w/rubber seal installed	44.95
B2133 67	DOOR - fresh air vent, w/rubber seal installed	48.25
B5189 63-67	DUCT - center 'Y' shaped at floor, console	209.48
B5188 63-67	DUCT - heater/defroster outlet under dash, behind speaker grille	109.00
B5135 63-67	FAN - heater blower motor, plastic, (repl.)	26.25
A5111 63	GASKET - heater blower motor to mounting plate	6.05



64-65 COUPE SIDE GRILLS

B5148	64-65	GRILLE - vent, lower outer, behind door, LH side, coupe	72.40
B5149	64-65	GRILLE - vent, lower outer, behind door, RH side, coupe	72.40
B5146	64-65	GRILLE - vent, upper outer, behind door, LH side, coupe	72.40
B5147	64-65	GRILLE - vent, upper outer, behind door, RH side, coupe	72.40
B5151	64-67	GROUND TERMINAL - blower motor	3.00
B5109	63-67	HEATER BOX ASSEMBLY - inner, w/o AC (used)	695.00
B5180	63-67	HEATER BOX ASSEMBLY - under dash	637.50



B0224	63-67	HEATER CORE - w/air conditioning	104.95
B5108	63-67	HEATER CORE - w/o air conditioning	82.35
B2149	64-67	HOLDER & SHADE - air conditioning indicator bulb sockets, metal	26.30
B5121	64-65	HOSE - rear vent drain, w/spring	29.35
A5150	63-65	HOSE KIT - heater, w/GM logo, (red logo on 3/4 hose only)	50.95
B2063	66-67	HOSE KIT - heater, w/GM logo, (white logo on 5/8" hose)	48.75
B5157	63-67	HOSE SET - heater, generic	14.95
B1954	65-66	KNOB - fresh air vent (black) & 65 coupe rear blower	8.90
B1952	67	KNOB - fresh air vent on radio side panel, (1 or 2 req.) (ea)	16.75
B2137	65	KNOB - heater, screw-on type	19.75
B2103	63-64	KNOB - heater, set screw type	21.60
B2101	63-64	KNOB - heater/defroster, screw on type	17.75
B2141	65	KNOB - heater, set screw type	22.35
B2186	66	KNOB - heater/fan, screw on type	22.35
B2184	66	KNOB - heater/fan, set screw type	22.35
B2190	67	KNOB - heater/fan, screw on type	20.75
B2188	67	KNOB - heater/fan, set screw type	22.35
A5100	63	MOTOR - heater blower	64.45
B5142	64-67	MOTOR - heater blower w/AC	39.95
B5143	63-67	MOTOR - heater blower w/o AC	39.95
B5128	63	MOTOR RESTORATION - heater blower, exchange	59.95
B5177	63-67	NUT - heater blower motor	1.00
B0564	64-65	NUT PLATE KIT - front blower motor mount (stud plate, w/nut & rivets)	19.70
B5178	64-65	NUT PLATE KIT - rear blower motor mount, (3 stud plates w/rivets)	9.20
B5111	63-67	PLATE - heater core mounting, w/o AC	111.75
B5140	63-67	PLATE KIT - to block heater opening in firewall on no heater cars (pr)	283.50
B5173	63-67	RESISTOR - heater blower motor w/o air	18.35
B5134	63-67	RETAINER - heater hose bracket, RH inner fender, AC or 396/427	13.00
B5127	63-67	RETAINER SET - vent cable, (5 pc.)	2.50
B2129	63-67	RETAINER SET - vent cable, (pr)	1.00
B5130	64-67	RETAINER/CLAMP - heater hose, for 2 hoses, w/o air, (2 req.) (ea)	5.70
B0560	64-65	SCREEN - rear power vent	15.00
B5181	64-65	SCREW & 'U' NUT SET - rear vent cover, coupe, (8 pc.)	5.15
B5182	64-65	SCREW & 'U' NUT SET - rear vent drain shield mount	2.85
B5160	64-65	SCREW & GROMMET KIT - coupe, rear blower vent motor mount	17.45
B5163	64-65	SCREW & NUT KIT - coupe, rear blower drain shield	3.20

B5102	63-67	GASKET SET - heater box, w/o AC, 9 pc	39.00
B0210	63-67	GASKET/SEAL SET - heater box, outer, w/AC, (32 pc.)	39.95
B5838	63-67	GRILLE - inside fresh air vent, LH	64.95
B5839	63-67	GRILLE - inside fresh air vent, RH	61.25
B0345	63-67	GRILLE - inside vent fresh air, RH, w/AC	95.00

B5179	63-67	SCREW & TERMINAL KIT - heater fan motor mount	6.45
B0324	63-67	SCREW SET - blower motor relay & resistor, (4 pc.)	2.90
B5125	65-67	SCREW SET - fresh air vent grille, (6 pc.)	2.10
B0559	63-67	SCREW SET - heater 'Y' - duct mount (3pc)	2.10
B5183	63-67	SCREW SET - heater blower motor resistor, (2 pc.)	1.20
B5107	63-67	SCREW SET - heater cable to box, (2 pc.)	1.20
B0558	63-67	SCREW SET - heater core straps	1.45
B5843	63-67	SCREW SET - inside fresh air vent grille, (6 pc.)	2.55
B5119	64-65	SCREW SET - side vent grille, coupe, (4 pc.)	1.90
B5129	63-67	SCREW SET - vent cable to vent grille, (2 pc.)	1.00
B5145	63-67	SEAL - blower motor	7.25
B5106	63-67	SEAL KIT - fresh air vent door, w/rivets, (does 2 doors)	11.50
B5162	64-65	SHIELD - metal, coupe, rear blower drain	22.00
B5104	63-67	SPEED NUT SET - heater box cover, (7 pc.)	3.00
B5190	63-67	STRAP SET - heater core w/o AC	18.05
B5192	63-67	STUD & NUT SET - heater box to firewall, w/AC	8.65
B5191	63-67	STUD & NUT SET - heater box to firewall, w/o AC	16.95
B5150	63-67	STUD PLATE - heater box, parking brake cable, battery cable, splash shields & horn relay	14.70
B9712	63-67	TERMINAL - ground on wiper motor	2.90
B2987	65-67	TIE STRAP - 5' black	2.00
B2985	63-64	TIE STRAP - 5' white	1.90
B2986	65-67	TIE STRAP - plastic push-in type, black, (ea)	1.60
B0249	63-67	VALVE - heater control	26.00
B5159	64-65	WIRE SCREEN - coupe, rear blower vent	17.75

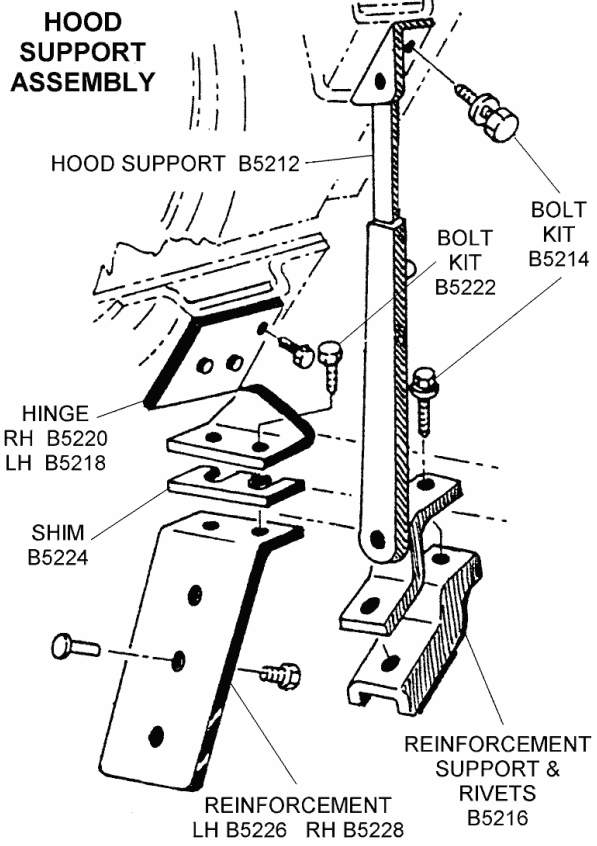
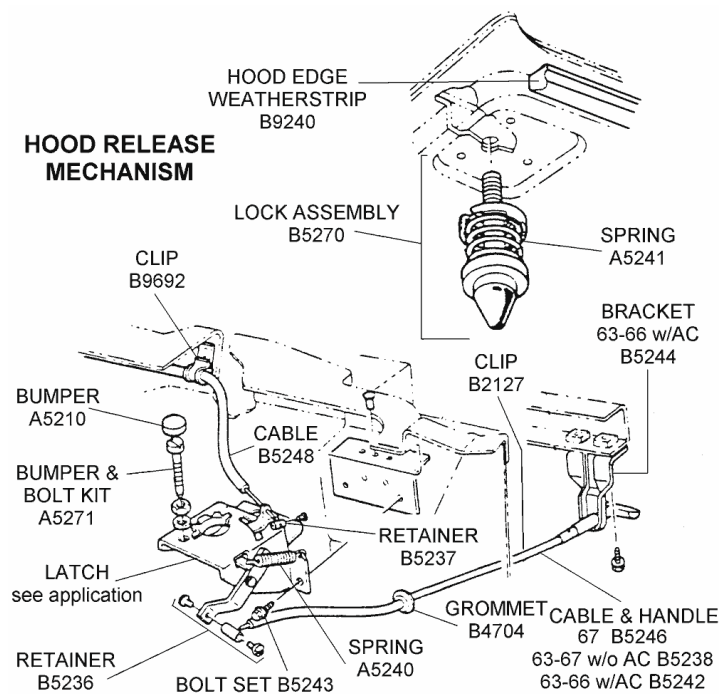
Heater Hose Fittings

B5138	63-67	CONNECTOR - heater hose, w/327 & 396, 'T' shape	11.95
A5156	63-67	FITTING - heater hose on intake, 1/2' NPT, 5/8' hose, all	12.95
B2060	63-67	FITTING - intake manifold nipple w/special hi-perf	9.70
B3337	64E	FITTING - intake manifold, vacuum w/ac	22.05
B3338	64L	FITTING - intake manifold, vacuum w/automatic	22.05
B3296	64	FITTING - intake manifold, w/PB & AC, 4 speed or automatic	32.75
B5120	63-67	FITTING - water pump for heater hose on w/AC 327/350, correct	14.70
B2061	63-67	FITTING - water pump, 20 degree nipple, w/sp. hi-perf, by-pass	20.65
B2092	63-67	FITTING - water pump, for heater hose, 327/427 w/o AC	13.25
A5522	63-67	FITTING/ADAPTER - heater hose, 3/4' to 1/2' NPT	7.00
B5122	63-67	HOSE - bypass, intake to water pump, 327 hi-perf, w/GM logo	8.75
B2095	65-67	HOSE - bypass, intake to water pump, 396/427	7.95
B2033	66-67	HOSE - bypass, intake to water pump, w/427 & A.I.R. #3882829	22.45
B5139	63-67	HOSE - vacuum, 1/8' white strip (1 foot)	2.60
B2062	65-67	PIPE - water pump & manifold bypass, 396/427 stainless steel, except A.I.R.	6.75
B0314	63	PIPE/TUBE - heater hose, near compressor, 327 w/AC	22.00
B0230	64-66E	PIPE/TUBE - heater hose, near compressor, 327 w/AC, stainless steel	14.45

HOOD & HOOD RELATED

Cable, Catches, Hinges & Related

A5271	63-67	BOLT & BUMPER KIT - hood adjusting, 2 bolts, 2 bumpers	9.35
B5205	63	BOLT & WASHER SET - hood alignment block, 'EL' hm, (16 pc.)	17.15
B5243	63-67	BOLT SET - female hood latches, (6 pc.)	6.45
B5222	63-67	BOLT SET - hood hinges, (10 pc.)	10.25
B5112	63-66	BOLT SET - hood release cable brackets to dash	1.90
B5114	67	BOLT SET - hood release cable brackets to dash	2.00
B5214	63-67	BOLT SET - hood support	8.75
B5244	63-66	BRACKET - hood release cable, w/AC	51.00
A5210	63-67	BUMPER SET - hood stop bolt adjuster, rubber, (pr)	4.95
B5248	63-67	CABLE - hood release (latch to latch) on firewall	8.85
B5238	63-66	CABLE ASSEMBLY - hood release, w/handle & bracket, w/o A.C	61.65



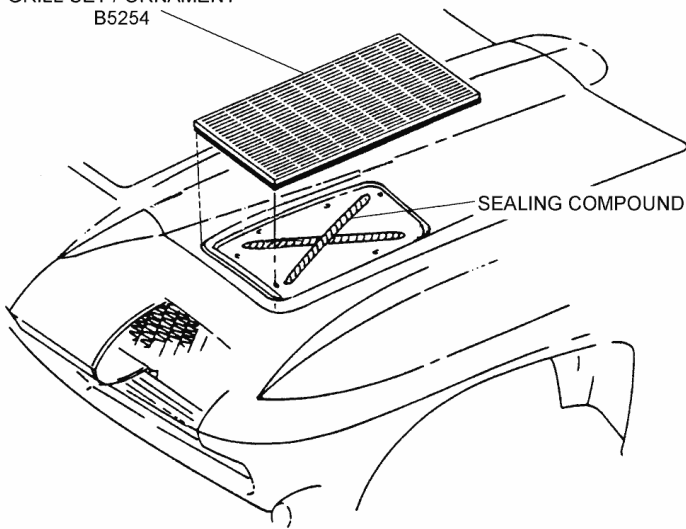
B5242	63-66	CABLE ASSEMBLY - hood release, w/knob, w/AC, w/o bracket	67.25
B5246	67	CABLE ASSEMBLY - hood release w/handle & bracket	36.00
B9692	63-67	CLIP - hood latch cable to firewall	1.50
B2127	63-67	CLIP - hood release cable to vent cable retainer	5.85
B9691	66-67	CLIP - windshield washer hose, LH female hood lock	1.60
B4704	63-67	GROMMET - firewall, hood release cable	1.95
B5239	63-67	GUIDE KIT - hood cable, (3 pc.)	8.75
B5210	63-66	HANDLE - hood release cable	24.65
B5218	63-67	HINGE - hood, w/correct markings & washer, LH	26.90
B5220	63-67	HINGE - hood, w/correct markings & washer, RH	26.90
B5202	63-64	LATCH ASSEMBLY - hood, female, w/lever, LH	46.75
B5204	63-64	LATCH ASSEMBLY - hood, female, w/lever, RH	46.75
B5171	65-67	LATCH ASSEMBLY - hood, female, w/lever, LH	55.60

B5172	65-67	LATCH ASSEMBLY - hood, female, w/lever, RH	.55.60
B5270	63-67	LOCK ASSEMBLY - hood, male	.27.95
B5275	67	MOUNTING KIT - hood grill	.8.35
B5206	63-67	NUT PLATE - female hood latch, w/rivets	.13.15
B3379	63	NUT SET - hood grilles	.8.55
A5238	63-67	PIN - male hood lock	.16.35
B9257	63-67	PIN SET - hood ledge weatherstrip, push-in type, (pr)	.1.50
B5226	63-67	REINFORCEMENT - hood hinge on inner fender, LH	.21.25
B5228	63-67	REINFORCEMENT - hood hinge on inner fender, RH	.21.25
B5216	63-67	REINFORCEMENT - hood support w/rivets	.20.15
B5209	63-67	REPAIR KIT - hood hinge, tubular rivet & spring washer (does 1 hinge)	.2.25
A5217	63-67	REPAIR KIT - hood support, semi-tubular rivet & spring washer	.5.00
A5114	63-67	RETAINER - male hood lock pin spring	.3.45
B5236	63-67	RETAINER/GUIDE - deck lid latch cable, brass, w/single screw, (pr)	.3.45
B5237	63-67	RETAINER/GUIDE - hood cable guide w/2 screws, LH, (hood release wire to lock lever) (1 req.) (ea)	.4.00
B5230	64-67	RIVET SET - female hood latch nut plate, (8 pc.)	.2.50
A5118	63-67	SEAT - male hood lock spring	.7.25
B5224	63-67	SHIM - hood hinge, 1/16" thick, (ea)	.3.10
B5208	63-67	SHIM - hood hinge, 1/32" thick, (ea)	.3.15
A5241	63-67	SPRING - male hood lock, (ea)	.8.25
A5240	63-67	SPRING SET - female hood lock tension, (pr)	.9.00
B5212	63-67	SUPPORT - hood	.51.20
B8962	63	WEDGE - hood support, fiberglass, LH	.50.50
B8963	63	WEDGE - hood support, fiberglass, RH	.50.50
B5273	63	WEDGE KIT - hood alignment, (B5271 & B5272) (4 pc.)*	.84.95
B5272	63	WEDGE SET - hood alignment, lower, die cast metal, (2 pc.)*	.59.10
B5271	63	WEDGE SET - hood alignment, upper, plastic, (2 pc.)*	.22.95

NOTE: The hood alignment wedges are estimated to fit cars with the following serial numbers - No other hood alignment wedges were found outside of these serial number ranges. Convertible, Serial # 7484 - 14783 and Coupe, Serial # 7484 - 13718 use two (2) sets of part # B5273. Convertible, Serial # 14784 - 18950 and Coupe, Serial #13719 - 16360 use one (1) B5273.

Emblems, Moldings & Related

GRILL SET / ORNAMENT
B5254



FILLER
B8281

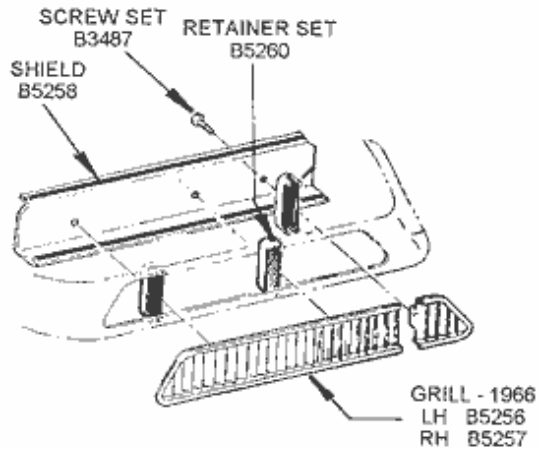
NUT
(part of B3430)

NUMBERS
"4" B2727
"2" B2728
"7" B2729

HOOD GRILL
427 B5262

HOOD
67 "427" B3596

B2724	66	EMBLEM - 'Corvette', (66 on hood) (66-67 rear deck)	.152.95
B2728	67	EMBLEM - hood number '2'	.16.50
B2727	67	EMBLEM - hood number '4'	.16.50
B2729	67	EMBLEM - hood number '7'	.7.80
B2704	65	EMBLEM - nose crossed flag	.61.25
B2730	67	EMBLEM KIT - '427' hood numbers, (6 pc.)	.42.95
B5256	65-66	GRILLE - big block hood, LH	.35.90
B5257	65-66	GRILLE - big block hood, RH	.35.90
B5262	67	GRILLE - w/fasteners, 427	.84.05
B5254	63	GRILLE SET - hood, (pr)	.449.00
B3439	67	MOUNT KIT - hood grille, 427, screw & nut, (25 pc.)	.8.25
B3379	63	NUT SET - hood grilles	.8.55



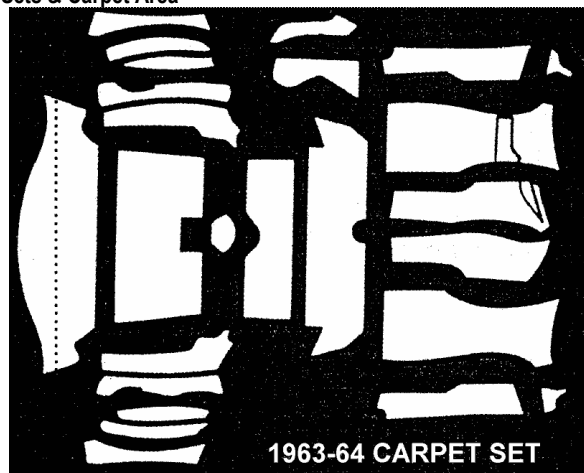
B8281	67	REINFORCEMENT FILLER - hood scoop w/427, PM, black	.65.00
B5260	65-66	RETAINER SET - big block hood grilles, (6 pc.)	.20.75
B3487	65-66	SCREW SET - hood grilles, big block, (6 pc.)	.4.20
B5227	65	SHIELD SET - big block hood grilles, (pr)	.19.95
B5258	66	SHIELD SET - big block hood grilles, (pr)	.25.00
B5101	67	STENCIL KIT - big block hood painting (see 'Decal' section for illustration)	.113.50

Hood

B5281	67	FILLER - hood scoop reinforcement, w/427, black, (PM)	.52.50
B3591	63	HOOD ASSEMBLY - (PM)	.1,399.00
B3592	64	HOOD ASSEMBLY - (PM)	.1,255.00
B3593	65-67	HOOD ASSEMBLY - all 327, (PM) specify year (63-64 repl.) truck freight	.1,255.00
B3594	65	HOOD ASSEMBLY - all 396, (PM)	.1,255.00
B3595	66	HOOD ASSEMBLY - all 427, (PM)	.1,255.00
B3596	67	HOOD ASSEMBLY - all 427, (PM)	.1,255.00

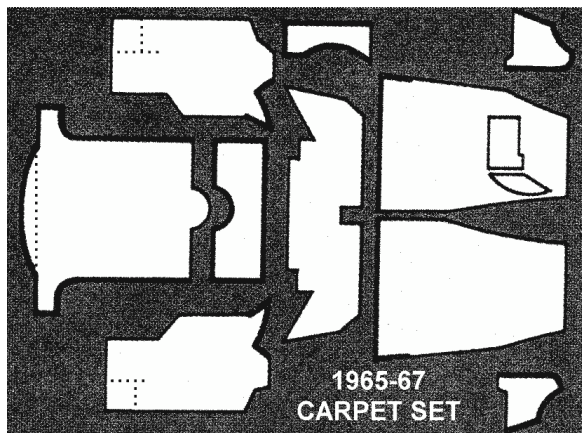
INTERIORS

Carpet Sets & Carpet Area

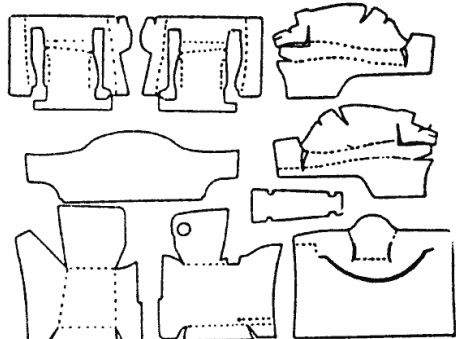


Carpet sets come with backing, where applicable. Always specify color.

B5621	65-67	BACKING SET - poly for under carpet	.25.00
B5615	63	CARPET SET - convertible, 80/20, foam backing	.419.00
B5611	63	CARPET SET - convertible, 80/20, poly backing	.329.00



- B5617 64 CARPET SET - convertible, 80/20, foam backing419.00
- B5613 64 CARPET SET - convertible, 80/20, poly backing329.00
- NOTE:** Foam Back Carpet is original for 1963-64 (poly back is a replacement).
- B5619 65-66 CARPET SET - convertible, 80/20289.95
- B5686 67 CARPET SET - convertible, 80/20279.00
- B5614 63 CARPET SET - coupe, 80/20, foam backing419.00
- B5610 63 CARPET SET - coupe, 80/20, poly backing329.00
- B5616 64 CARPET SET - coupe, 80/20, foam backing419.00
- B5612 64 CARPET SET - coupe, 80/20, poly backing329.00
- B5618 65-66 CARPET SET - coupe, 80/20279.00
- B5685 67 CARPET SET - coupe, 80/20279.00
- B5620 65-66 CARPET SET - front only w/kick panel material, coupe or convertible, 80/20219.40
- B5820 63-67 CLIP - w/rivet, wire cover floor plate4.25
- B5816 63-64 COVER PLATE SET - wire harness along door sill, (pr)27.00
- B5818 65-67 COVER PLATE SET - wire harness along door sill, (pr)27.00
- A5667 63-67 GROMMET - dimmer switch, correct, rubber11.00



- B5801 64-67 PADDING/UNDERLAYMENT KIT - complete 'exact as original', front & rear w/correct materials, relief cuts and serrations, (8 pc.), convertible280.00
- NOTE:** Padding/Underlayment is original type used on 1964-67.
- B5800 64-67 PADDING/UNDERLAYMENT KIT - complete 'exact as original', front & rear w/correct materials, relief cuts and serrations, (8 pc.), coupe287.10
- B5623 63-67 PADDING/UNDERLAYMENT SET - convertible rear carpet, (sound deadener)80.00
- B5622 63-67 PADDING/UNDERLAYMENT SET - front carpet, (sound deadener)80.00

**PLUG KIT - FLOOR
63-67 B5680**



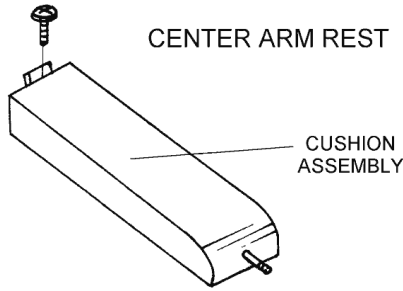
- B5680 63-67 PLUG SET - floor pan, under carpet, (8 pc.) ..6.00
- B5599 63-67 RIVET SET - clip/wire cover floor plate clips, (14 pc.)4.75
- B5808 63-67 SHIELD SET - heat, under front & rear carpet137.65
- NOTE:** B5649 & B5808 Heat Shield Sets virtually eliminates radiant heat from engine compartment & exhaust, 1/8" thickness, pre-cut & backed w/reinforced foil. Not NCRS correct.
- B5649 63-67 SHIELD SET - heat, under front carpet, ceramic/nylon102.95

INTERIOR COLOR CODES

YEAR	COLOR	CODE
1963	BLACK	BLK
	DARK BLUE	DBL
	RED	RED
	SADDLE (TAN)	SAD
1964	BLACK	BLK
	BLUE (DARK)	BLU
	RED	RED
	SILVER	SIL
	SILVER / BLACK	SBK
	SILVER / DK BLUE	SDB
	SADDLE (TAN)	SAD
	WHITE / BLACK	WBK
	WHITE / BLUE	WBU
	WHITE / RED	WRE
1965	WHITE / TAN	WTA
	BLACK	BLK
	BLUE (BRIGHT)	BLU
	GREEN	GRN
	MAROON	MAR
	RED	RED
	SILVER	SIL
	SADDLE (TAN)	SAD
	WHITE	WHT
	1966	BLACK
BLUE (BRIGHT)		BLU
BLUE (DARK)		DBL
GREEN		GRN
RED		RED
SILVER		SL
SADDLE (TAN)		SAD
WHITE / BLUE		WBL
1967	BLACK	BLK
	SADDLE (TAN)	SAD
	GREEN	GRN
	BLUE (BRIGHT)	BBL
	RED	RED
	TEAL BLUE	TBL
	WHITE	WHT

B2337 65-67 TAG - carpet, rear storage board, 'J.P. Stevens Co. Inc. specify year & carpet color . 5.50

Center Arm Rest & Miscellaneous

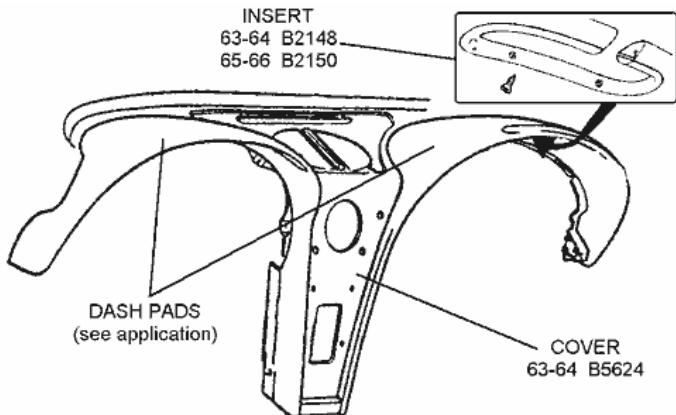


- G0005 63-67 ADHESIVE - brush on 3M17.95
- G0007 63-67 ADHESIVE SPRAY - trim, (carpet, dash pad, etc) (per can)18.25
- B5777 63-66 BASE/METAL - center arm rest25.95
- B5696 64-67 CLIP - coupe headliner molding above door ...8.30
- B5671 63-64 COVER - center arm rest, leather34.95
- B5669 63-64 COVER - center arm rest, vinyl29.95
- B5675 65-66 COVER - center arm rest, leather34.95
- B5673 65-66 COVER - center arm rest, vinyl29.95
- B6441 67 COVER - inside rear view mirror bracket, vinyl, (specify color)36.65
- B7974 67 COVER SET - upper steering column, black plastic, (2 pc.)59.95
- B5677 67 CUSHION ASSEMBLY - 'T' center console, leather46.75
- B5676 67 CUSHION ASSEMBLY - center console, vinyl ...37.85
- B5670 63-64 CUSHION ASSEMBLY - leather center arm rest ...89.95
- B5668 63-64 CUSHION ASSEMBLY - vinyl center arm rest ...89.95
- B5672 65-66 CUSHION ASSEMBLY - vinyl center arm rest ...94.95
- B5885 63-66 FOAM - center arm rest30.00
- B5680 63-67 PLUG SET - floor pan, under carpet, (8 pc.) ...6.00
- B3476 65-66 SCREW & NUT KIT - power antenna switch, (4 pc.)2.20
- B3465 64-67 SCREW & WASHER KIT - coupe, halo panel, (12 pc.)4.15
- B5684 63-66 SCREW - center arm rest, (ea)1.75
- B3469 63-67 SCREW SET - convertible, inside windshield moldings, (12 pc.)4.35
- B3466 63 SCREW SET - coupe, inside rear window moulding and headliner8.00
- B3468 63-67 SCREW SET - coupe, inside windshield moldings, (18 pc.)6.00
- B3470 64-67 SCREW SET - steering wheel mounting, (6 pc.) ...3.95

Console - Parking Brake

- B1980 67 BRACKET - parking brake console / front46.95
- B1970 67 BRACKET/RETAINER - emergency brake console at rear, fastens to console and drive shaft tunnel62.95
- B1997 67 COVER/CONSOLE - parking brake handle assembly, (specify color)89.00
- B1948 67 COVER/CONSOLE - parking brake handle assembly, black70.00
- B1960 67 REINFORCEMENT/BRACKET - parking brake console / mounts to tunnel149.95
- B1971 67 RETAINER & CHROME BEZEL - (riveted together) emergency brake slide, fastens to console cover, (used)120.00
- B1951 67 RETAINER - for chrome bezel, emergency brake slide62.95
- B1957 67 TRIM/BEZEL - emergency brake console, around slide, chrome40.35

Dash Pads



- G0007 63-67 ADHESIVE SPRAY - dash pad skin, 19 oz.18.25

NOTE: G0007 adhesive must be used for installing dash pad skins.

- B2156 63-67 CLIP - dash pad, (13 req.) (ea)3.50
- B5598 63-67 CLIP SET - dash pads, (13 pc.)40.35
- B5624 63-64 COVER - center dash, (molded, glue on)139.95
- B5625 63-64 DASH PAD - LH, (specify color)449.95
- B5626 63-64 DASH PAD - RH, (specify color/4 hole insert)449.95
- B5721 64 DASH PAD - RH, (specify color/6 hole insert)449.95
- B5627 65-67 DASH PAD - LH, (specify color)489.95
- B5628 65-66 DASH PAD - RH, (specify color/6 hole insert)489.95
- B5632 67 DASH PAD - RH, (specify color)449.95
- B2148 63-64 INSERT - grab opening, 4 hole, (specify color)14.95
- B2150 65-66 INSERT - grab opening, 6 hole, (specify color)14.95
- B5596 63-66 NUT & WASHER KIT - dash pad, (4 pc.)1.00
- B2158 63-67 RIVET SET - dash pad to door jam, black, (10 pc.)5.75
- B3407 63-64 SCREW SET - grab opening insert, (4 pc.)2.85
- B3408 65-66 SCREW SET - grab opening insert, (6 pc.)2.75

Deck Lid

- B5688 63-67 MOUNT KIT - convertible deck lid vinyl strip6.50
- B5665 63-64 STRIP - convertible deck lid edge, vinyl w/mount kit64.95
- B5666 65-67 STRIP - convertible deck lid edge, vinyl w/mount kit64.95

Door Panel Sets

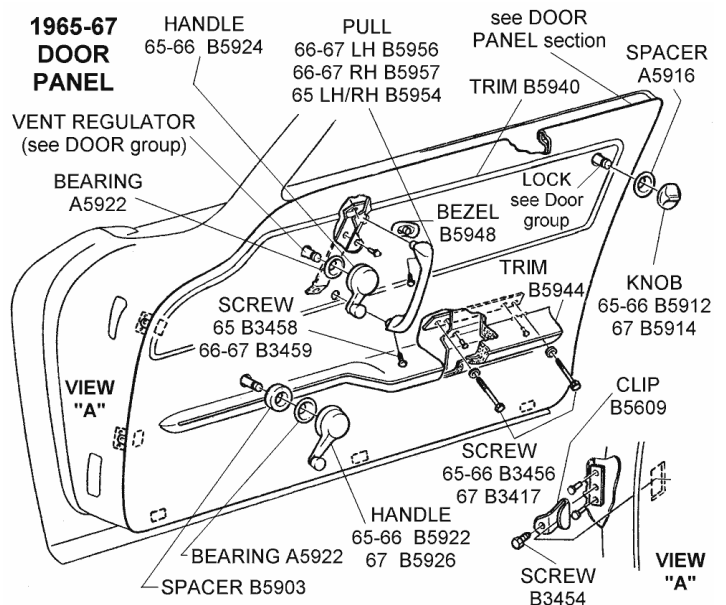
- B5603 63-64 DOOR PANEL SET - convertible, (pr)339.75
- B5825 63-64 DOOR PANEL SET - convertible, w/o metal, (pr)274.95
- B5606 65-66 DOOR PANEL SET - convertible, (pr)455.20
- B5608 67 DOOR PANEL SET - convertible, (pr)279.95
- B5602 63-64 DOOR PANEL SET - coupe, (pr)339.75
- B5827 63-64 DOOR PANEL SET - coupe, w/o metal, (pr) ...274.95
- B5605 65-66 DOOR PANEL SET - coupe, (pr)444.85
- B5607 67 DOOR PANEL SET - coupe, (pr)398.55

Door Panel Sets - Deluxe

These 1965-67 Door Panels come complete with racetrack, armrest, trim, bezels and felts installed. The 1963-64 panels have metal upper supports with pre-installed trim (reflector, lock knob, door opening bezel, trim strip & felt). Specify color when ordering.

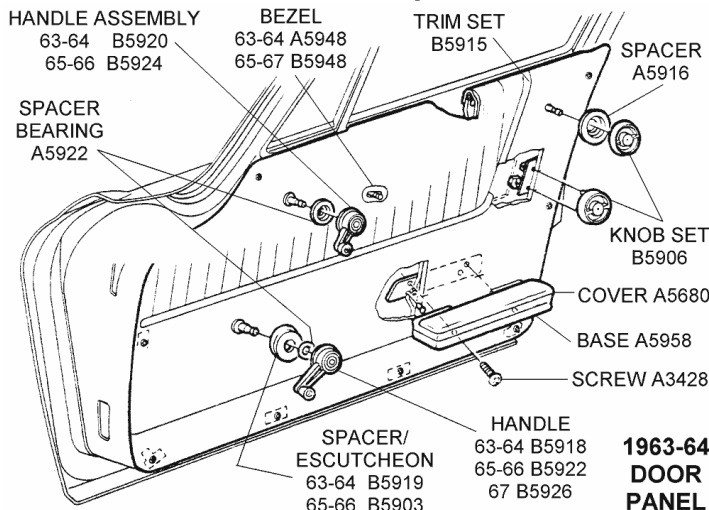
- B5594 63-64 DOOR PANEL SET - deluxe, convertible, (pr) .679.95
- B5690 65-66 DOOR PANEL SET - deluxe, convertible, (pr) .959.95
- B5692 67 DOOR PANEL SET - deluxe, convertible, (pr) .779.90
- B5595 63-64 DOOR PANEL SET - deluxe, coupe, (pr)679.95
- B5689 65-66 DOOR PANEL SET - deluxe, coupe, (pr)779.90
- B5691 67 DOOR PANEL SET - deluxe, coupe, (pr)779.90

Door Panel Trim & Accessories



- NOTE: On Knob Set B5592, specify color: white, red, tan, medium blue or teal.
- A5605 63-64 ARM REST ASSEMBLY - complete, w/cover, (specify color) 2 required/ea65.00
- A5958 63-64 BASE SET - arm rests, plastic/chrome, (pr) ...39.00
- A5948 63-64 BEZEL SET - door open on door panel, (pr) ...16.95
- B5948 65-67 BEZEL SET - door open on door panel, (pr) ...17.25

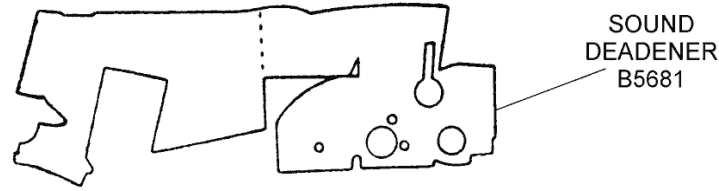
- B5609 65-67 CLIP - door panel to door, (10 req., for 2 doors, ea)1.55
- B5593 65-67 CLIP SET - door panel to door, (does 1 door) (5 pc.)16.10
- A5926 63-67 CLIP SET - window cranks/lock knob retainer, (4 pc.)1.85
- B5928 63-67 CLIP SET - window cranks/lock knob retainer, w/o PW, (6 pc.)1.50
- A5680 63-64 COVER SET - arm rests, (pr)11.95



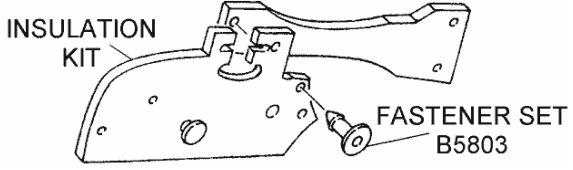
- B5920 63-64 HANDLE ASSEMBLY - vent window crank31.45
- B5924 65-66 HANDLE ASSEMBLY - vent window crank13.75
- B5993 67 HANDLE SET - vent windows w/colored knobs, pr59.95
- B5994 67 HANDLE SET - vent & full windows, 4 pc w/colored knobs109.95
- B5918 63-64 HANDLE ASSEMBLY - window crank13.75
- B5922 65-66 HANDLE ASSEMBLY - window crank39.60
- B5926 67 HANDLE ASSEMBLY - window crank, (black knob)9.95
- B5987 67 HANDLE ASSEMBLY SET - window crank, specify color [pr]59.95
- B5592 67 KNOB & RETAINER KIT - 2 knobs/retainers & washers, specify color8.00
- B5908 63-64 KNOB - door lock35.00
- B5912 65-66 KNOB - door lock20.75
- B5914 67 KNOB - door lock26.35
- B2662 64-67 KNOB - door open, chrome, (ea)15.55
- B5906 63-64 KNOB SET - door lock & reflector on door panel, (4 pc.)90.50
- B5902 63 KNOB SET - door open, black, (pr)8.25
- B5591 67 KNOB SET - window crank/vent crank handle, black, (pr)8.00
- B5910 63-64 LENS KIT - door lock knob reflector, (8 pc.) 17.85
- A2751 63-64 NUT KIT - door panel reflectors, correct, 3pc 4.50
- B5937 67 NUT PLATE & RIVET KIT - arm rest screws, mounts to door, w/2 rivets, (2 req.) (ea)8.15
- B5589 63-66 NUT PLATE & RIVET KIT - arm rest screws, rivets to door, w/2 rivets, (2 req.) (ea)8.15
- A5960 63-64 PAD SET - arm rest covers, w/foam & metal, (specify color) (pr)39.95
- B5956 66-67 PULL - inside door handle, (chrome), LH56.50
- B5957 66-67 PULL - inside door handle, (chrome), RH56.50
- B5954 65 PULL SET - inside door handle, (specify color) (pr)18.95
- B5588 63-64 REFLECTOR & RETAINER - door panel, (ea)23.10
- B5587 66-67 REINFORCEMENT - door pull, w/rivets20.70
- B2784 65 RIVET & 'T' NUT SET - door pull5.00
- B5586 67 SCREW & WASHER SET - door panel, (4 pc.)1.50
- B3423 67 SCREW & WASHER SET - door panels, (2 door set) (pr)1.00
- A5610 63-64 SCREW SET - arm rest pad to chrome bases, (4 pc.)2.75
- B3456 65-66 SCREW SET - arm rests, (8 pc.)4.15
- B3417 67 SCREW SET - arm rests, (8 pc.)4.40
- A3428 63-64 SCREW SET - arm rests, does one arm rest, (4 pc.)4.15
- B3454 65-67 SCREW SET - door panel clips, (10 pc.)3.75
- B3453 63-64 SCREW SET - door panels, (18 pc.)5.75
- B3458 65 SCREW SET - door pulls, (4 pc.)4.00
- B3459 66-67 SCREW SET - door pulls, (4 pc.)5.25
- B2651 63-67 SEAL SET - vent window regulators, behind door panel foam, (pr)3.15
- A2644 63-67 SEAL SET - window crank handle, behind door panel, foam, (pr)6.35
- B5583 63-67 SHIELD (black-out) SET - door open mechanism protector (pr)5.95
- B5919 63-64 SPACER (escutcheon) - under window crank, on door panel, (ea)34.00

- B5903 65-67 SPACER SET (escutcheon) - window crank, stainless steel, (pr)81.25
- A5922 63-67 SPACER/BEARING - window crank, plastic3.15
- B3464 63-64 SPEED NUT SET - winged, door panel reflectors, (4 pc.)4.25
- A5959 63-67 TOOL - window crank and door lock knob removal5.65
- A2715 63-64 TOOL - winged speed nut installation, 1/8' & 3/16' size10.95
- B5944 65-67 TRIM - arm rest, on door panel, (w/black insert)25.90
- B5915 63-64 TRIM SET - door panel 'hockey sticks'/'L' shaped, (pr)250.00
- B5940 65-67 TRIM SET - 'Racetrack' on upper door panels, (pr)199.95
- B5585 63-66 VAPOR BARRIER SET - between door & door panel, paper, (pr)26.65
- B5921 67 VAPOR BARRIER SET - between door & door panel, plastic (63-66 repl.) (pr)24.95
- B5549 65-67 WASHER - inside door lock knob1.25
- A5692 63-64 WASHER SET - door handle, flush, (8 pc.) (3 sets req.)5.50

Firewall Insulation



- A5828 63-67 FASTENER SET - firewall insulation, (12 pc.) 24.65
- B5682 63-67 FASTENER SET - firewall sound deadener, rubber plug type, (7 pc.)15.00
- B5871 63-67 FASTENER/PLUG - insulation retainer, rubber, (7 req.) (ea)3.40
- B5584 63-64 INSULATION - firewall heater delete filler .31.00
- B5841 65-67 INSULATION - firewall heater delete filler .31.00



- B5802 63E INSULATION KIT - firewall, w/fasteners195.00
- B5840 63L-64 INSULATION KIT - firewall, w/fasteners195.00
- B5842 65-66 INSULATION KIT - firewall, w/fasteners195.00
- B5844 67 INSULATION KIT - firewall, w/fasteners195.00
- B5597 SEALANT - foam door panel repair9.45
- B5681 63-67 SOUND DEADENER - upper dash above firewall insulation, (2 pc.)42.50

NOTE: on B5631 or B5681 specify carburetor or FI, MT or AT.

Floor Mats

- B5789 63-67 MAT SET - 80/20 carpet w/Corvette logo, (pr) .60.95
- B5788 63-67 MAT SET - black rubber floor mats, (pr)25.90
- B5787 63-67 MAT SET - clear rubber floor mats, (pr)74.15

Head Liners

All head liners are vinyl surface with plastic backs. Specify year and color when ordering.

- B5582 64-67 CLIP - headliner molding above door, coupe, (ea)8.30
- B5636 63-64 HEAD LINER - coupe219.95
- B5683 65 HEAD LINER - coupe219.95
- B5638 66 HEAD LINER - coupe219.95
- B5640 67 HEAD LINER - coupe219.95
- B5637 63-65 HEAD LINER - hard top219.95
- B5639 66-67 HEAD LINER - hard top219.95
- B5581 64-67 MOLDING - over door, headliner trim, LH, coupe, (used)125.00
- B5580 64-67 MOLDING - over door, headliner trim, RH, coupe, (used)140.00
- B5577 63 PANEL - halo, coupe, (used)225.00
- B5576 64-67 PANEL - halo, coupe, (used)250.00



Interior Fastner Kits

1963-67 INTERIOR FASTENER SETS										
B3488	63	COUPE								
B3589	63	CONVERTIBLE								
B3490	64	COUPE								
B3491	64	CONVERTIBLE								
B3492	65-66	COUPE								
B3493	65-66	CONVERTIBLE								
B3494	67	COUPE								
B3495	67	CONVERTIBLE								
A5661	63-67	SUN VISOR	1	1	1	1	1	1	1	1
A7548	63-67	HARD TOP / SOFT TOP LATCH	1	1	1	1	1	1	1	1
B3404	65-67	SEAT BELT BRACKET	1	1	1	1	1	1	1	1
B3401	64-67	CONSOLE							1	1
B3402	64-67	CONSOLE	1	1	1	1	1	1	1	1
B2152	63-67	DASH CLUSTER	1	1	1	1	1	1	1	1
B3407	63-64	GRAB BAR OPENING					1	1	1	1
B3408	65-67	GRAB BAR OPENING				1	1	1	1	1
B4106	63-67	GAS PEDAL	1	1	1	1	1	1	1	1
B3428	63-64	ARM REST					1	1	1	1
B3456	65-66	ARM REST				1	1	1	1	1
B3417	67	ARM REST	1	1	1	1	1	1	1	1
B3453	63-64	DOOR PANEL					1	1	1	1
B3454	65-67	DOOR PANEL CLIP	1	1	1	1	1	1	1	1
B3475	63-67	DOG LEG PANEL - convertible	1	1	1	1	1	1	1	1
B3474	63-67	DOG LEG PANEL - coupe	1	1	1	1	1	1	1	1
B3458	65-66	DOOR PULL				1	1	1	1	1
B3459	67	DOOR PULL	1	1	1	1	1	1	1	1
B3460	63-64	SILL PLATE					1	1	1	1
B3461	65-67	SILL PLATE	1	1	1	1	1	1	1	1
B3465	64-67	HALO PANEL - coupe				1	1	1	1	1
B3466	63	MOLDING - inside rear window, coupe								1
B3467	64-67	MOLDING - inside rear window, coupe	1	1	1	1	1	1	1	1
B3471	63-67	MIRROR SUPPORT - inside	1	1	1	1	1	1	1	1
B3472	63-67	MIRROR SUPPORT - inside	1	1	1	1	1	1	1	1
B3468	63-67	MOLDING - coupe windshield	1	1	1	1	1	1	1	1
B3469	63-67	MOLDING - convertible windshield	1	1	1	1	1	1	1	1
B3446	63-67	SIDE SEAT RAIL	1	1	1	1	1	1	1	1
B3450	63-67	SEAT BUMPER	1	1	1	1	1	1	1	1
B3477	63-67	HEADER STRIKER - convertible	1	1	1	1	1	1	1	1

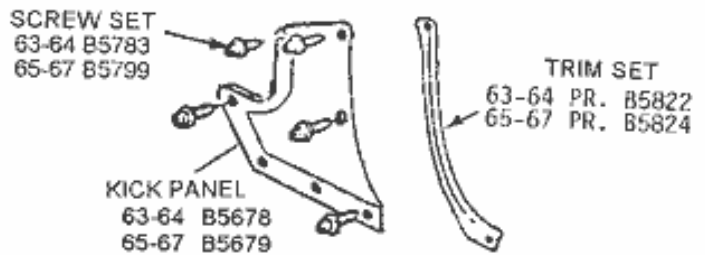
B3488	63	FASTNER KIT / INTERIOR - COUPE: see chart for details	34.25
B3489	63	FASTNER KIT / INTERIOR - CONVERTIBLE: see chart for details	34.25
B3490	64	FASTNER KIT / INTERIOR - COUPE: see chart for details	34.25
B3491	64	FASTNER KIT / INTERIOR - CONVERTIBLE: see chart for details	34.25
B3492	65-66	FASTNER KIT / INTERIOR - COUPE: see chart for details	34.25
B3493	65-66	FASTNER KIT / INTERIOR - CONVERTIBLE: see chart for details	34.25
B3494	67	FASTNER KIT / INTERIOR - COUPE: see chart for details	34.25

B3495 67 FASTNER KIT / INTERIOR - CONVERTIBLE: see chart for details34.25

Interior Packages, Carpet, Door Panels & Seat Covers

B5960	63	CONVERTIBLE VINYL INTERIOR PACKAGE - convertible, carpet w/foam backing, door panels w/o metal & VINYL seat covers	899.00
B5964	63	CONVERTIBLE LEATHER INTERIOR PACKAGE - convertible, carpet w/foam backing, door panels w/o metal & LEATHER seat covers	1,149.00
B5965	63	COUPE VINYL INTERIOR PACKAGE - coupe, carpet w/foam backing, door panels w/o metal & VINYL seat covers	899.00
B5961	63	COUPE LEATHER INTERIOR PACKAGE - coupe, carpet w/foam backing, door panels w/o metal & LEATHER seat covers	1,149.00
B5962	64	CONVERTIBLE VINYL INTERIOR PACKAGE - convertible, carpet w/foam backing, door panels w/o metal & VINYL seat covers	899.00
B5966	64	CONVERTIBLE LEATHER INTERIOR PACKAGE - convertible, carpet w/foam backing, door panels w/o metal & LEATHER seat covers	1,149.00
B5963	64	COUPE VINYL INTERIOR PACKAGE - coupe, carpet w/foam backing, door panels w/o metal & VINYL seat covers	899.00
B5967	64	COUPE LEATHER INTERIOR PACKAGE - coupe, carpet w/foam backing, door panels w/o metal & LEATHER seat covers	1,149.00
B5968	65	CONVERTIBLE VINYL INTERIOR PACKAGE - convertible, carpet w/foam backing, door panels w/o metal & VINYL seat covers	1,149.00
B5974	65	CONVERTIBLE LEATHER INTERIOR PACKAGE - convertible, carpet w/foam backing, door panels w/o metal & LEATHER seat covers	1,349.00
B5969	65	COUPE VINYL INTERIOR PACKAGE - coupe, carpet w/foam backing, door panels w/o metal & VINYL seat covers	1,149.00
B5975	65	COUPE LEATHER INTERIOR PACKAGE - coupe, carpet w/foam backing, door panels w/o metal & LEATHER seat covers	1,349.00
B5970	66	CONVERTIBLE VINYL INTERIOR PACKAGE - convertible, carpet w/foam backing, door panels w/o metal & VINYL seat covers	1,149.00
B5976	66	CONVERTIBLE LEATHER INTERIOR PACKAGE - convertible, carpet w/foam backing, door panels w/o metal & LEATHER seat covers	1,349.00
B5971	66	COUPE VINYL INTERIOR PACKAGE - coupe, carpet w/foam backing, door panels w/o metal & VINYL seat covers	1,149.00
B5977	66	COUPE LEATHER INTERIOR PACKAGE - coupe, carpet w/foam backing, door panels w/o metal & LEATHER seat covers	1,349.00
B5972	67	CONVERTIBLE VINYL INTERIOR PACKAGE - convertible, carpet w/foam backing, door panels w/o metal & VINYL seat covers	1,149.00
B5978	67	CONVERTIBLE LEATHER INTERIOR PACKAGE - convertible, carpet w/foam backing, door panels w/o metal & LEATHER seat covers	1,379.00
B5973	67	COUPE VINYL INTERIOR PACKAGE - coupe, carpet w/foam backing, door panels w/o metal & VINYL seat covers	1,149.00
B5979	67	COUPE LEATHER INTERIOR PACKAGE - coupe, carpet w/foam backing, door panels w/o metal & LEATHER seat covers	1,379.00

Kick Panel Area



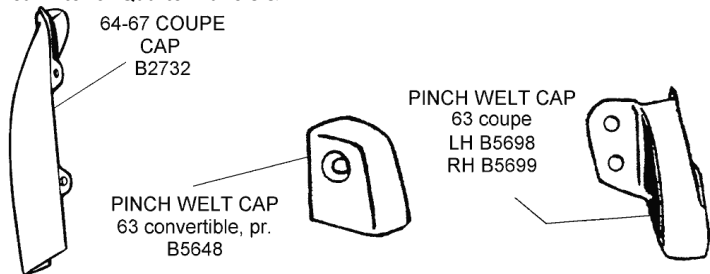
B5838	63-67	GRILLE - inside fresh air vent, LH	64.95
B5839	63-67	GRILLE - inside fresh air vent, RH	61.25
B5551	63-64	KICK PANEL KIT - w/carpet & wind lace, specify color, (pr)	49.95
B5553	65-67	KICK PANEL KIT - w/carpet & windlace, specify color, (pr)	44.95
B5678	63-64	KICK PANEL SET - cardboard set, w/wind lace, specify color, (pr)	34.95
B5679	65-67	KICK PANEL SET - cardboard set, w/wind lace, specify color, (pr)	34.95
B5783	63-64	SCREW SET - kick panels, correct, (14 pc.)	15.25
B3462	63-64	SCREW SET - kick panels, repl., (14 pc.)	4.75

B5799 65-66	SCREW SET - kick panels, correct, (12 pc.)	..13.25
B3463 65-67	SCREW SET - kick panels, repl., (12 pc.)4.15
B5872 67	SCREW SET - kick panels, correct, (12 pc.)	..13.25
B5822 63-64	TRIM SET - kick panels, (pr)(metal, requires painting)15.95
B5824 65-67	TRIM SET - kick panels, (pr)(metal, requires painting)15.95

Paint & Dye

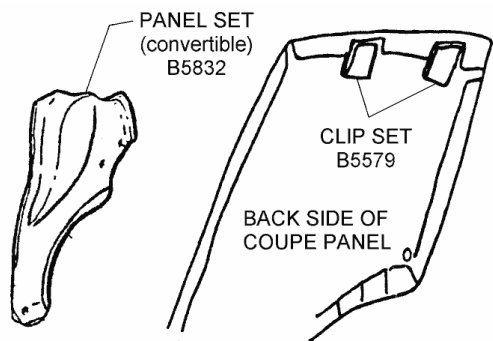
A5664 63-67	DYE - vinyl, aerosol, (specify color)20.70
A5666 63-67	DYE - vinyl, quart, (specify color)79.30
A5669 63-67	PRIMER - to use vinyl dye on metal parts7.50
A5668 63-67	PRIMER - to use vinyl dye on plastic parts	..20.45

Rear Interior Quarter Panels & Trim



(Behind door jam, along side seat.)

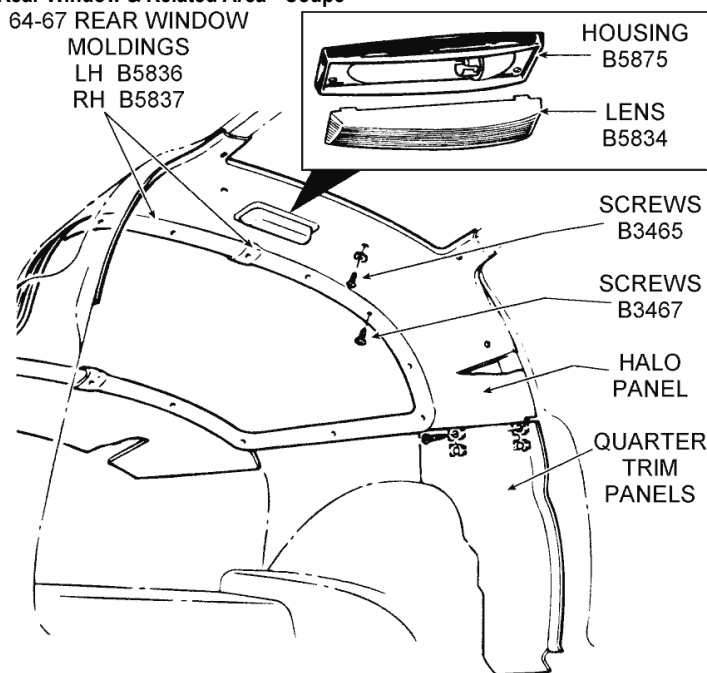
B5831 64-67	BUMPER SET - rear quarter panel trim, convertible5.75
B5693 63	CAP - pinch welt, coupe, LH, 1 hole31.00
B5694 63	CAP - pinch welt, coupe, RH, 1 hole31.00
B5698 63	CAP - pinch welt, coupe, LH, 2 hole26.00
B5699 63	CAP - pinch welt, coupe, RH, 2 hole26.00
B2732 64-67	CAP - pinch welt, coupe, LH86.25
B2733 64-67	CAP - pinch welt, coupe, RH105.00
B5648 63	CAP SET - pinch welt, convertible, (pr)93.75
B5579 63-67	CLIP SET - quarter panel to halo panel, coupe, (4 pc.)21.00
B5158 64-65	COVER - rear blower vent, coupe, cardboard, (glue to carpet)14.25
B5643 63-67	NUT SET - rear quarter panels, coupe, 'U' shape, (4 pc.)1.50
B5667 63-67	NUT SET - rear quarter panels, roadster, 'U' shape, (4 pc.)1.25
B8592 63-67	PANEL - rear quarter trim, fiberglass, LH, roadster72.45
B8593 63-67	PANEL - rear quarter trim, fiberglass, RH, roadster72.45



B5832 63-67	PANEL SET - convertible quarter trim, (fiberglass) (pr)214.95
B5662 66-67	PANEL SET - quarter trim, coupe, (pr)34.50
B5850 63-64	PANEL SET - rear quarter trim, coupe w/o power vent, (pr)81.50
B5805 65-67	PANEL SET - rear quarter trim, coupe w/o power vent, (pr)49.95
B5851 64	PANEL SET - rear quarter trim, coupe w/power vent, (pr)40.00
B5852 65	PANEL SET - rear quarter trim, coupe w/power vent, (pr)39.50
B5664 63	PINCH WELT SET - (pr), black only14.20
B5181 64-65	SCREW & 'U' NUT SET - rear vent cover, coupe, (8 pc.)5.15
B5578 63	SCREW - pinch welt cap, w/nut, (ea)3.85
B3475 63-67	SCREW SET - convertible, dog leg panel behind seat, (6 pc.)4.05
B3474 63-67	SCREW SET - coupe, dog leg panel behind seat, (6 pc.)2.90
B5697 63	SCREW SET - pinch welt caps, coupe, (4 pc.)	..2.40
B5663 63-67	SUPPORTS & RIVET SET - rear quarter panel, convertible, (2 pc.)23.35
B6204 63	SUPPORTS & RIVET SET - rear quarter panel, coupe, (4 pc.)23.35

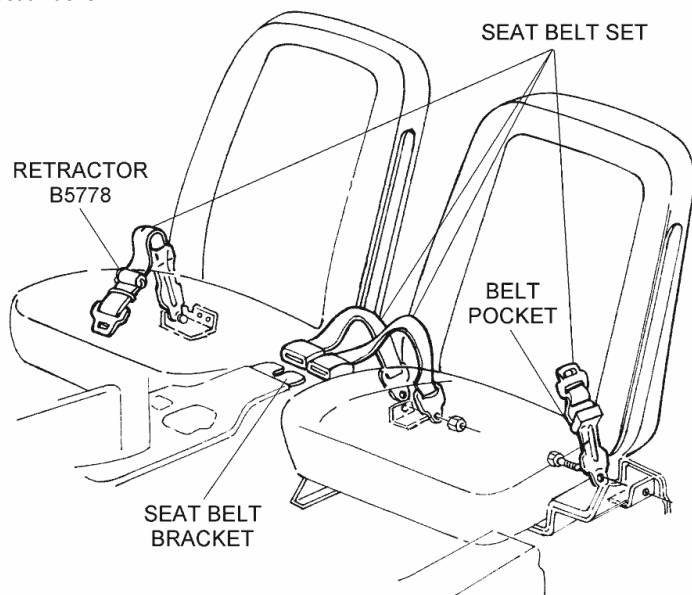
B5601 64-65	SUPPORTS & RIVET SET - rear quarter panel, coupe, (4 pc.)29.25
B6203 66-67	SUPPORTS & RIVET SET - rear quarter panel, coupe, (2 pc.)29.25

Rear Window & Related Area - Coupe



G0007 63-67	ADHESIVE SPRAY - trim, (carpet, dash pad, etc) (per can)18.25
B5604 64-67	COVER - rear window, lower, at base of window, vinyl, (specify color)20.70
B5836 64-67	MOLDING & SCREW SET - coupe, inside rear window, LH51.55
B5837 64-67	MOLDING & SCREW SET - coupe, inside rear window, RH51.55
B5577 63	PANEL - halo, coupe, (used)225.00
B5576 64-67	PANEL - halo, coupe, (used)250.00
B5574 63-67	SCREW & WASHER SET - halo panel, coupe, (12 pc.)4.50
B3467 64-67	SCREW SET - coupe, inside rear window molding, (14 pc.)4.75
B3466 63	SCREW SET - inside rear window moldings & headliner, coupe8.00
B5687 63	VINYL SET - coupe, rear, split window & rear deck, (4 pc.)16.00

Seat Backs

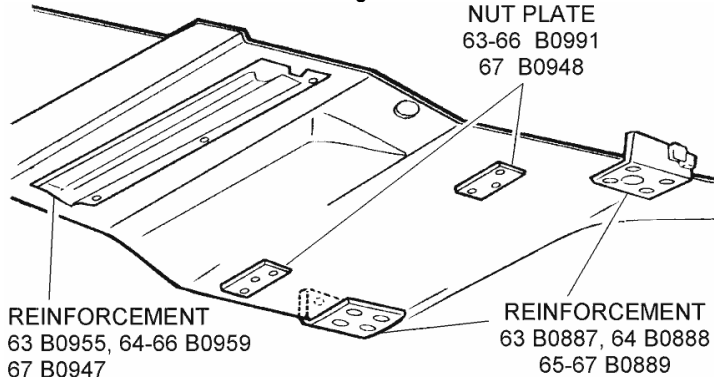


B8001 65	SEAT BACK - maroon89.95
B8002 65-66	SEAT BACK - black89.95
B8004 65-66	SEAT BACK - bright blue89.95
B8006 65-66	SEAT BACK - green89.95
B8003 65-66	SEAT BACK - red89.95

B8005	65-66	SEAT BACK - saddle	89.95
B8008	65-66	SEAT BACK - silver	89.95
B8007	65-66	SEAT BACK - white	89.95
B8010	67	SEAT BACK - black	89.95
B8009	66	SEAT BACK - dark blue	89.95
B8012	67	SEAT BACK - bright blue	79.95
B8014	67	SEAT BACK - green	79.95
B8011	67	SEAT BACK - red	79.95
B8013	67	SEAT BACK - dark saddle	79.95
B8016	67	SEAT BACK - teal blue	79.95
B8015	67	SEAT BACK - white	79.95
B5573	63-64	SEAT BACK SET - cardboard, (pr)	15.75
B5723	65-67	TRIM - seat back, (chrome) (ea)	31.95
B5724	65-67	TRIM - seat back, (stainless steel) (ea)	24.95
B5725	65-67	VENT SET - seat back, (chrome) (pr)	9.00

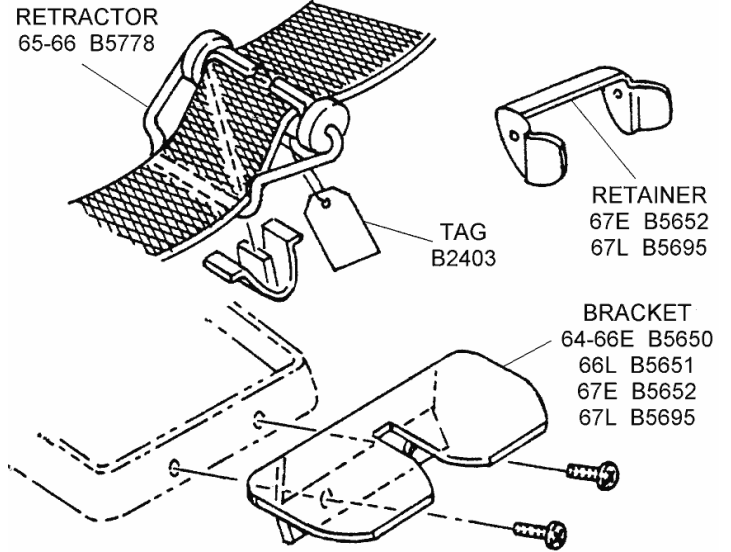
B5653	63-67	SCREW SET - seat hinge, chrome, pr	2.60
B2403	65-66	TAG SET - seat belt retractor instructions, pr	8.95

Seat Belt & Shoulder Harness Mounting & Related



B5600	66-67	BOLT KIT - seat belt anchor w/shoulder harness	24.95
B5781	65-67	BOLT SET - seat belt anchors, pr	11.25
B5646	63-64	BOLT SET - seat belt anchors, (SS) (4 pc.)	14.25
B5647	64-67	BOLT/NUT KIT - seat belt anchor, (SS) (4 pc.)	10.00
B5650	65-66E	BRACKET - seat belt buckles on shifter console	15.25
B5651	66L	BRACKET - seat belt buckles on shifter console	15.25
B5652	67E	BRACKET - seat belt buckles on shifter console w/o holes	38.95
B5695	67L	BRACKET - seat belt buckles on shifter console w/holes	38.95
B5631	65-67	CABLE - seat belt, center (included in B5779)	31.05
B5804	65-67	CABLE - seat belt, outer (included in B5779), (2 req.) (ea)	36.25
B5779	65-67	CABLE SET - seat belt w/hardware, bracket to frame, (3 pc.)	96.95
B5807	66-67	CABLE SET - shoulder harnesses	100.00
B2400	63-67	CARD - seat belt instructions	4.05
B5772	66-67	CUP/POCKET - shoulder harness seat belt buckles, (specify color)	75.00
B5654	66-67	CUP/POCKET - shoulder harness seat belt buckles, black	27.00
B2401	64-66	DECAL SET - seat belt buckle, original	12.10
B5806	65-67	HARDWARE KIT - seat belt cables	3.65
B5780	65-67	MOUNT KIT - seat belt cable	4.25
B5571	66-67	REINFORCEMENT - seat belt shoulder harness, above rear wheel, LH	37.15
B5570	66-67	REINFORCEMENT - seat belt shoulder harness, above rear wheel, RH	37.15
B1388	65-67	REINFORCEMENT - seat belt underbody, outer LH	33.35
B1389	65-67	REINFORCEMENT - seat belt underbody, outer RH	33.35
B0961	63	REINFORCEMENT - seat belt underbody, w/weld nut outside, LH	21.35
B0960	63	REINFORCEMENT - seat belt underbody, w/weld nut outside, RH	21.35
B0965	63-64	REINFORCEMENT - seat belt underbody, w/weld nut, 1963-64 inside LH, 1964 outside RH	33.35
B0964	63-64	REINFORCEMENT - seat belt underbody, w/weld nut, 1963-64 inside RH, 1964 outside LH	33.35
B0969	65-67	REINFORCEMENT - seat belt underbody, w/weld nut, inside, LH	22.10
B0968	65-67	REINFORCEMENT - seat belt underbody, w/weld nut, inside, RH	22.10
B1390	63	REINFORCEMENT SET - seat belt underbody, (4 pc.)	65.00
B1391	64	REINFORCEMENT SET - seat belt underbody, (4 pc.)	64.95
B0889	65-67	REINFORCEMENT SET - seat belt underbody, (4 pc.)	64.95
B5778	65-66	RETRACTOR - seat belt w/tag	35.75
B5569	65-67	SCREW SET - seat belt bracket on console, 2 pc.	1.50

Seat Belt Assemblies with Dated Labels



B2220	63E	LABEL SET - seat belts, woven, Irving Chevrolet, (4 pc.)	52.50
B2221	63L	LABEL SET - seat belts, woven, Irving Chevrolet, (4 pc.)	20.00
B2225	65	LABEL SET - seat belts, woven, Irving Chevrolet, (4 pc.)	12.00
B2222	63L	LABEL SET - seat belts, woven, Irving Corvette, (4 pc.)	35.20
B2224	64	LABEL SET - seat belts, woven, Irving Corvette, (4 pc.)	35.20
B2226	65	LABEL SET - seat belts, woven, Irving Corvette, (4 pc.)	28.35
B2227	66	LABEL SET - seat belts, woven, Irving Corvette, thru Nov. '65, specify date, (4 pc.)	46.90
B2228	67	LABEL SET - seat belts, woven, Hamill GM, after Nov. '65, specify date, (4 pc.)	28.00
B2229	67	LABEL SET - seat belts, woven, Hamill GM, specify date, (4 pc.)	250.00
A5702	63-67	SEAT BELT ASSEMBLY SET - w/mount brackets, black, replacement	99.95
A5727	63	SEAT BELT ASSEMBLY SET - w/mount brackets, dark blue, replacement	99.95
B5811	65-67	SEAT BELT ASSEMBLY SET - w/mount brackets, dark green, replacement	99.95
A5704	63-67	SEAT BELT ASSEMBLY SET - w/mount brackets, red, replacement	99.95
A5721	63-67	SEAT BELT ASSEMBLY SET - w/mount brackets, saddle, replacement	99.95
B5732	64E	SEAT BELT SET - black '63 dated labels	449.95
B5734	64E	SEAT BELT SET - dark blue '63 dated labels	449.95
B5733	64E	SEAT BELT SET - red '63 dated labels	449.95
B5735	64E	SEAT BELT SET - white '63 dated labels	449.95
B5736	64	SEAT BELT SET - black '64 dated labels	449.95
B5738	64	SEAT BELT SET - dark blue '64 dated labels	449.95
B5737	64	SEAT BELT SET - red '64 dated labels	449.95
B5739	64	SEAT BELT SET - white '64 dated labels	449.95
B5743	65E	SEAT BELT SET - bright blue '64 dated labels	429.95
B5750	65E	SEAT BELT SET - dark green '64 dated labels	499.95
B5748	65E	SEAT BELT SET - maroon '64 dated labels	499.95
B5745	65E	SEAT BELT SET - light saddle '64 dated labels	449.95
B5747	65E	SEAT BELT SET - silver '64 dated labels	449.95
B5740	65	SEAT BELT SET - black '65 dated labels	449.95
B5742	65	SEAT BELT SET - bright blue '65 dated labels	449.95
B5751	65	SEAT BELT SET - dark green '65 dated labels	499.95
B5749	65	SEAT BELT SET - maroon '65 dated labels	499.95
B5744	65	SEAT BELT SET - light saddle '65 dated labels	449.95
B5741	65	SEAT BELT SET - red '65 dated labels	449.95
B5746	65	SEAT BELT SET - silver '65 dated labels	449.95
B5752	66	SEAT BELT SET - black	449.95
B5754	66	SEAT BELT SET - bright blue	449.95
B5755	66	SEAT BELT SET - dark blue	449.95
B5756	66	SEAT BELT SET - light saddle	449.95
B5753	66	SEAT BELT SET - red	449.95

NOTE: A5702, A5704, A5721, B5811 & A5727 have 1963 style buckle and are an excellent 1964-67 replacement. Great for everyday use.

B5757	66	SEAT BELT SET - silver	449.95
B5847	66-67	SEAT BELT SET - dark saddle finish w/Chevrolet logo/restored	CALL
B5817	66-67	SEAT BELT SET - red, brushed buckle finish w/Chevrolet logo/restored	CALL
B5849	66-67	SEAT BELT SET - silver, brushed buckle finish w/Chevrolet logo/restored	CALL
B5848	66-67	SEAT BELT SET - teal, brushed buckle finish w/Chevrolet logo/restored	CALL

NOTE: 1966 seat belts have hand-stamped date coded labels, you may specify any date.
1964-66 Seat Belt Assemblies do not include retractors, covers or hardware. When ordering dated items, please specify car serial number and year, or the code you require.

Seat Belt Pockets (1965 - early 1966)

B5769	65-66E	POCKET SET - seat belt, black, (pr)	32.50
B5770	65-66E	POCKET SET - seat belt, blue, (pr)	48.75
B5775	65-66E	POCKET SET - seat belt, dark blue, (pr)	75.00
B5776	65-66E	POCKET SET - seat belt, maroon, (pr)	75.00
B5771	65-66E	POCKET SET - seat belt, red, (pr)	52.75
B5772	65-66E	POCKET SET - seat belt, saddle, (pr)	75.00

Seat Belt Pockets (late 1966 - 1967)

B5654	66-67	CUP/POCKET - shoulder harness seat belt buckles, black	27.00
B5568	66L-67	POCKET SET - seat belt, black, w/hole, (pr)	33.65
B5761	66L-67	POCKET SET - seat belt, blue, (pr)	52.70
B5765	66	POCKET SET - seat belt, dark blue, (pr)	50.00
B5764	66	POCKET SET - seat belt, medium saddle, (pr)	56.05
B5762	66L-67	POCKET SET - seat belt, red, (pr)	45.00
B5768	66L-67	POCKET SET - seat belt, silver, (pr)	58.45

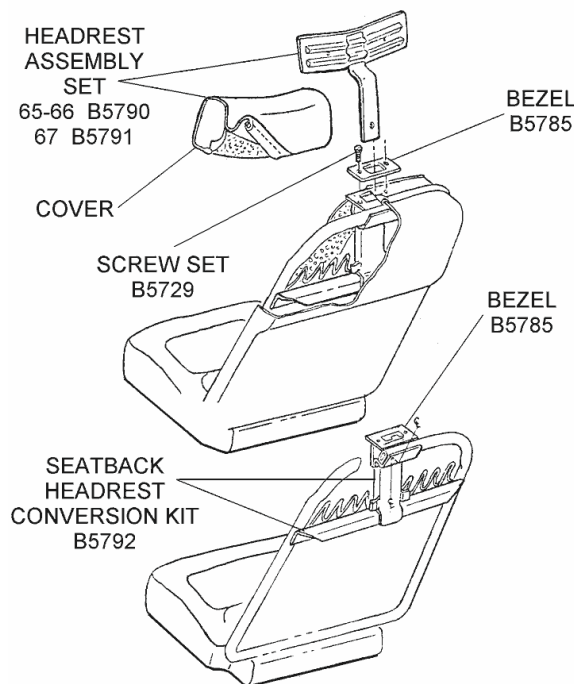
Seat Covers Sets & Related

B1397	67	BRACKET - seat adjuster front mounting	15.95
B5715	63-67	CLIP - seat cover mount, 'S' shape	1.35
B5774	63-67	CLIP SET - seat cover retaining 's' clips 5pc	6.95
A5725	63-67	HOG RING SET - seat cover mounting, (25 pc.)	1.50
B5703	63-64	INSTALLATION KIT - seat covers	34.00
B5708	65	INSTALLATION KIT - seat covers	34.00
B5711	66	INSTALLATION KIT - seat covers	34.00
B5714	67	INSTALLATION KIT - seat covers	34.00
A5719	63-67	PLIERS - hog ring, seat cover installation, (economy)	6.95
A5768	63-67	PLIERS - hog ring, seat cover installation, (pro model)	29.30
A5767	63-67	PLIERS - hog ring, seat cover installation, (spring loaded)	22.00
B5702	63	SEAT COVER SET - leather	599.95
B5705	64	SEAT COVER SET - leather	599.95
B5707	65	SEAT COVER SET - leather	599.95
B5710	66	SEAT COVER SET - leather	599.95
B5713	67	SEAT COVER SET - leather	629.95
B5701	63	SEAT COVER SET - vinyl	319.95
B5704	64	SEAT COVER SET - vinyl	319.95
B5706	65	SEAT COVER SET - vinyl	349.95
B5709	66	SEAT COVER SET - vinyl	349.95
B5712	67	SEAT COVER SET - vinyl	399.95
G0154	63-64	SEAT SAVER COVER SET - black, pr	69.95
G0158	65-67	SEAT SAVER COVER SET - black, pr	69.95
G0153	63-64	SEAT SAVER COVER SET - gray, pr	69.95
G0190	65-67	SEAT SAVER COVER SET - gray, pr	69.95
G0152	63-64	SEAT SAVER COVER SET - tan, pr	69.95
G0156	65-67	SEAT SAVER COVER SET - tan, pr	69.95
B5813	63-67	TOOL - seat cover installation, hook shaped	15.80
B5798	63-64	VIDEO - seat installation	35.00

Seat Foam Kits

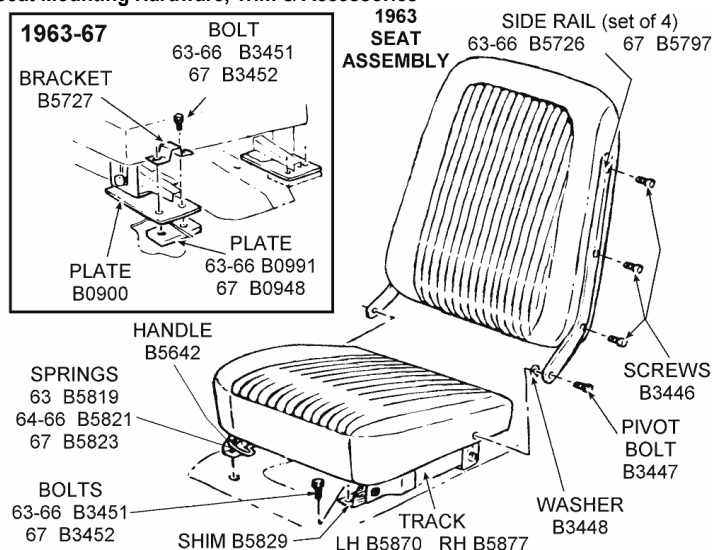
B5716	63	SEAT FOAM - (4 pc.)	234.45
B5717	64	SEAT FOAM - (4 pc.)	189.95
B5718	65	SEAT FOAM - (4 pc.)	189.95
B5719	66	SEAT FOAM - (4 pc.)	189.95
B5720	67	SEAT FOAM - (4 pc.)	219.00

Seat Headrest Components



B5785	65-67	BEZEL (ESCUTCHEON) SET - headrest, top of seat, (pr)	39.95
B5790	65-66	HEADREST ASSEMBLY SET - w/vinyl covers, (pr)	338.10
B5791	67	HEADREST ASSEMBLY SET - w/vinyl covers, (pr)	279.95
B5792	65-67	HEADREST CONVERSION KIT - from standard to headrest seat (pr), includes 2 track/slide vertical assemblies for inside seat, with horizontal braces, welds in place (does not include headrest assemblies)	338.10
B5796	67	HEADREST COVER SET - leather (pr), specify color	55.55
B5793	65-66	HEADREST COVER SET - vinyl (pr), specify color	31.75
B5795	67	HEADREST COVER SET - vinyl (pr), specify color	31.75
B5729	65-67	SCREW SET - headrest post escutcheon/bezel, (4 pc.)	3.00

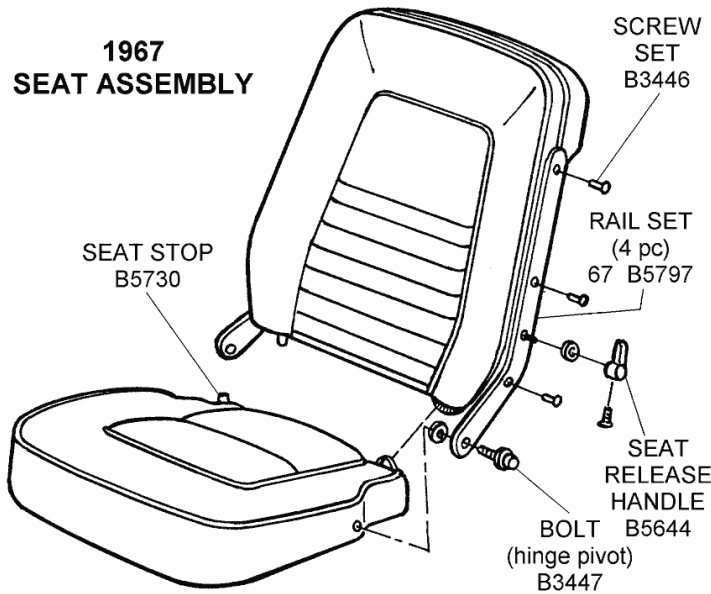
Seat Mounting Hardware, Trim & Accessories



B3447	63-67	BOLT - seat hinge pivot, (ea)	3.50
B3451	63-66	BOLT SET - seat mount, (12 pc.)	10.75
B3452	67	BOLT SET - seat mount, (8 pc.)	7.40
B1399	63-66	BRACKET - rear seat adjuster, LH inner/RH outer	20.25
B1398	63-66	BRACKET - rear seat adjuster, LH outer/RH inner	20.25
B1451	67	BRACKET - seat adjuster mount, LH inner/RH outer	15.95

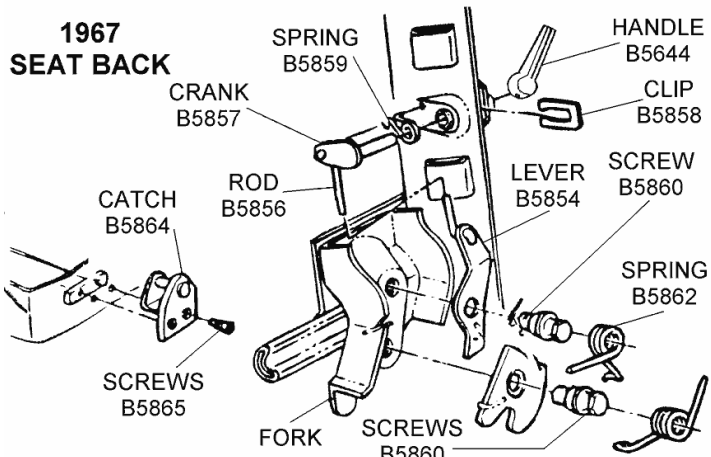
CHICAGO CORVETTE
We're your 1-Stop-Shop for 1953-82 Corvette parts and accessories!

1967 SEAT ASSEMBLY



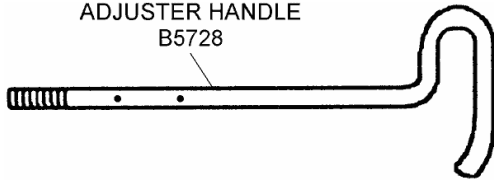
B5815	65-66	RAIL SET - seat side, (chrome) (4 pc.)	208.35
B5797	67	RAIL SET - seat side, (chrome) (4 pc.)	198.95
B0955	63	REINFORCEMENT - front seat mount underbody, (ea)	30.00
B0959	64-66	REINFORCEMENT - front seat mount underbody, (ea)	26.35
B0947	67	REINFORCEMENT - front seat mount underbody, (ea)	26.35
B1347	63-67	RIVET SET - front seat mount reinforcement, (12 pc.)	3.00
B4352	67	RIVET SET - underbody rear seat nut plates, (4 pc.)	1.25
B1395	63-67	RIVET SET - underbody rear seat nut plates, (8 pc.)	4.00
B5856	67	ROD - seat back	5.75
B5809	67	ROLLER WHEEL - seat track, steel, (8 req.) (ea)	4.00
B1394	67	SCREW & LOCK WASHER SET - seat track, (16 pc.)	6.80
B3449	63-66	SCREW & NUT KIT - seat adjuster	2.60
B1396	63	SCREW & WASHER SET - seat adjuster mount, (16 pc.)	6.60
B5860	67	SCREW - seat catch lever pivot, (4 req.) (ea)	5.75
B5865	67	SCREW SET - seat bottom catch, (4 pc.)	3.00
B5653	63-67	SCREW SET - seat hinge, chrome, pr	2.60
B3446	63-67	SCREW SET - seat rails, side, (6 pc.)	4.35
B3450	63-67	SCREW SET - seat stops, (4 pc.)	2.55
B5829	64-67	SHIM - seat mounting, 1/8"	1.45
B5859	67	SPRING - seat back release lever anti-rattle	5.75
B5863	67	SPRING - seat latch fork	5.75
B5862	67	SPRING - seat latch lever	5.75
B5823	67	SPRING SET - seat adjuster handle return, (2 pc.)	12.25
B5819	63	SPRING SET - seat adjuster handle return, (4 pc.)	12.25
B5821	64-66	SPRING SET - seat adjuster handle return, (4 pc.)	18.65
B5958	63-67	SPRING SET - seat bottom & back, zigzag design, (does 2 seats)	51.75
B5730	65-67	STOP - seat, nylon, (ea)	4.75
B5868	63-64	TOOL - hole punch for vent screen	20.00
B5867	63-64	TOOL - seat back screen staking	12.00
B5982	63-67	TOOL SET - zigzag spring bending, (pr)	30.00
B5870	64-66	TRACK ASSEMBLY - seat, LH	156.90
B5877	64-66	TRACK ASSEMBLY - seat, RH	156.90
B5723	65-67	TRIM - seat back, (chrome) (ea)	31.95
B5724	65-67	TRIM - seat back, (stainless steel) (ea)	24.95
B5725	65-67	VENT SET - seat back, (chrome) (pr)	9.00
B5869	63-64	VENT SET - seat backs, (chrome) (4 pc.)	11.00
B3448	63-67	WASHER - seat pivot bolt, (ea)	1.55
B5855	67	WASHER SET - seat back lever, (2 pc.)	5.75

1967 SEAT BACK



B1450	67	BRACKET - seat adjuster mount, LH outer/RH inner	15.95
B5727	63-66	BRACKET - seat mount, rear, (ea)	6.00
B5833	67	BRUSHED ROLLER SET - seat track (nylon, 16 pc.)	48.00
B5959	63-67	BURLAP & WIRES - seat springs & foam, (does 2 seats)	28.35
B1393	63-66	BUSHING SET - seat track springs, stainless steel, (8 pc.)	15.75
B5864	67	CATCH - seat bottom	21.00
B5858	67	CLIP - seat handle crank retainer	5.20
B5980	63-67	CLIP SET - zigzag springs to seat back wires, (30 pc.)	5.25
B5857	67	CRANK - seat back lever	15.75
B5853	67	FORK - seat back latch	15.75

ADJUSTER HANDLE B5728



B5728	63	HANDLE - seat adjusting, (ea)	26.70
-------	----	-------------------------------	-------

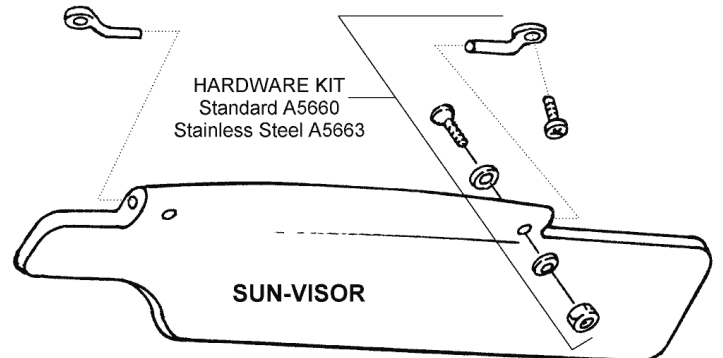


B5642	64-66	HANDLE - seat adjusting, (ea)	25.70
B2662	67	KNOB - seat adjusting, chrome, (ea)	15.55
B5644	67	HANDLE - seat back release	32.25
B5854	67	LEVER - seat back latch	7.70
B0991	63-66	NUT PLATE - rear, seat mounting, underbody, (4 req.) (ea)	8.30
B0948	67	NUT PLATE - underbody seat mount, rear, (4 req.) (ea)	9.60
B5866	67	PLATE - seat bottom catch nut	5.20
B0900	63-66	PLATE - seat hold-down under carpet, (4 req.)	5.00
B5981	63-67	PLIERS zigzag spring clip closing	35.00
B5726	63-64	RAIL SET - seat side, (chrome) (4 pc.)	208.35

Sill Plates & Related

B5820	63-67	CLIP - w/rivet, wire cover floor plate	4.25
B5816	63-64	COVER PLATE SET - wire harness along door sill, (pr)	27.00
B5818	65-67	COVER PLATE SET - wire harness along door sill, (pr)	27.00
B5566	63-67	PLUG SET - door sill, coupe, (pr)	2.40
B3460	63-64	SCREW SET - sill plates, (8 pc.)	4.95
B3461	65-67	SCREW SET - sill plates, (12 pc.)	5.75
B5810	63-64	SILL PLATE SET - 4 hole, (pr)	37.10
B5812	65-66	SILL PLATE SET - 6 hole, (pr)	39.95
B5814	67	SILL PLATE SET - (pr)	48.30

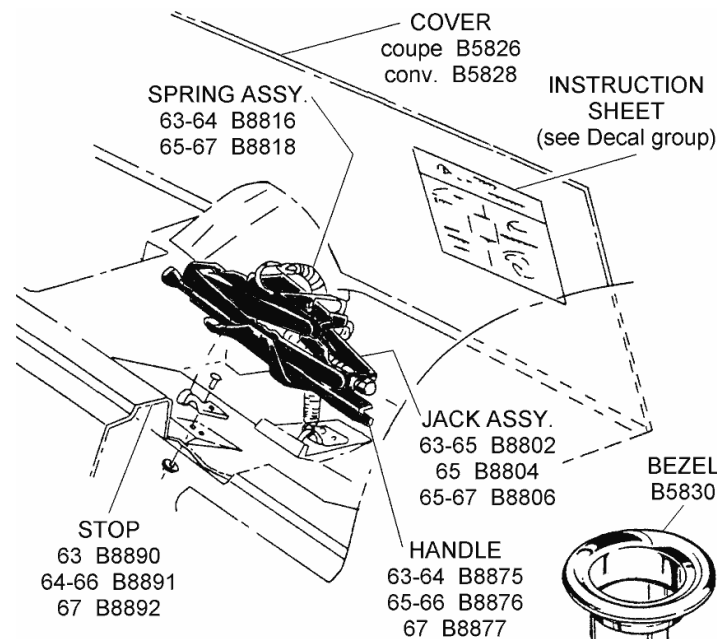
Sun-Visors & Hardware



A5660	63-67	HARDWARE KIT - 2 sun-visors	15.95
A5663	63-67	HARDWARE KIT - 2 sun-visors (partially stainless steel)	27.00
A5788	63-67	PIVOT - sun visors, (4 req.) (ea)	2.00
A5551	63-67	SCREW & NUT SET - sun visor, (included in A5660) (4 req.) (ea)	3.40

A5661 63-67	SCREW SET - sun visor supports, (not included in A5660 or A5663) (4 pc.)	3.75
B5655 63-64	SUN-VISOR SET - convertible, (pr)	76.95
B5658 65-67	SUN-VISOR SET - convertible, (pr)	76.95
B5655 63	SUN-VISOR SET - coupe, (pr)	76.95
B5656 64	SUN-VISOR SET - coupe, (pr)	76.95
B5657 65-67	SUN-VISOR SET - coupe, (pr)	76.95
A5560 63-67	TIP - screw driver, sun visor nut	5.95
A5789 63-67	WASHER SET - sun visors, (8 pc.)	2.85

JACKS, STORAGE COMPARTMENT & RELATED



B0462 65-67	BEARING SET - jack, (for type III jack) (3pc)	5.50
B5830 63-67	BEZEL - jack cover finger hole, chrome	8.75
B8805 63-67	BRACKET - jack spring mount, w/rievet	13.75
B5826 63-67	COVER - jack compartment	21.50
B8808 65-67	GROMMET/BUMPER - jack handle	4.95
B8875 63-64	HANDLE - jack/lug wrench, no hole	25.90
B8876 65-66	HANDLE - jack/lug wrench, 1 hole	26.05
B8877 67	HANDLE - jack/lug wrench, 3 hole	25.90
B8810 63-67	JACK - (repl.)	279.95
B8802 63-65E	JACK ASSEMBLY - thru serial #12164 in 1965	164.95
B8804 65	JACK ASSEMBLY - serial #12165-20846	164.95
B8806 65L-67	JACK ASSEMBLY - starting with serial #20847 in 1965	179.95

NOTE: Dated 1967 units started in January, available at no extra charge, specify when ordering. Jacks #B8802, B8804 & B8806 are the most exacting reproduction available.

B8890 63	LUGGAGE STOP - metal panel behind seats	52.00
B8891 64-66	LUGGAGE STOP - metal panel behind seats	52.00
B8892 67	LUGGAGE STOP - metal panel behind seats	52.00
B8816 63-65E	SPRING - jack hold down, 1 hook	9.50
B8818 65L-67	SPRING - jack hold down, 2 hooks	9.50
B2337 65-67	TAG - carpet, rear storage board, 'J.P. Stevens Co. Inc. specify year & carpet color	5.50

ORDER BY PHONE:

1-800-872-2446



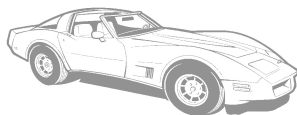
ORDER BY FAX:

708-458-2662



TECHNICAL QUESTIONS:

708-458-2500



CUSTOMER SERVICE:

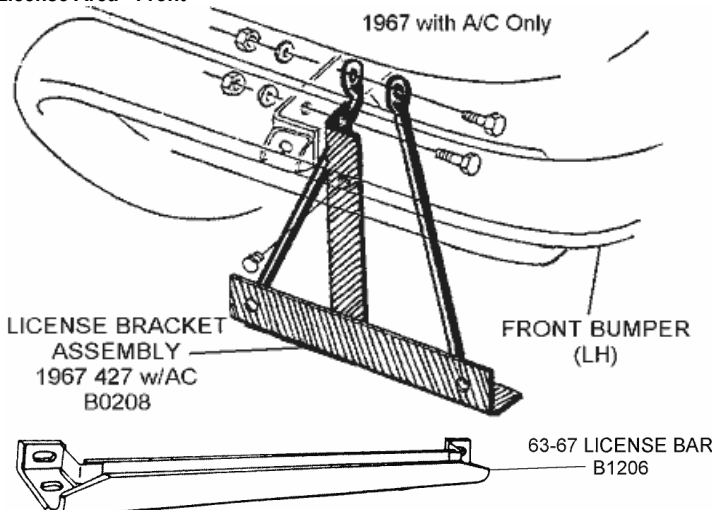
708-458-6577

QUESTIONS ABOUT YOUR ORDER:

708-458-2500

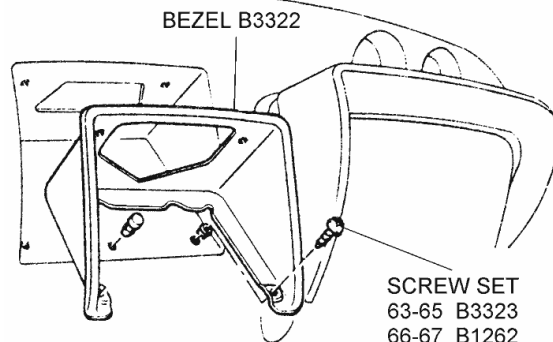
LICENSE AREA

License Area - Front



B1206 63-67	BAR - front license, (chrome)	39.95
B1288 63-67	BOLT SET - license plate bracket to license bar	2.50
B0347 67	BOLT SET - license plate bracket, 427, w/AC	4.75
B1208 63-65	BRACKET - front license plate, correct holes	32.95
B1210 66-67	BRACKET - front license plate, (1963-65 repl.)	14.95
B0208 66L	BRACKET - front license plate, 427 w/air conditioning	54.15
B3303 63-67	BUMPER - front or rear license plate, rubber	3.00
B3319 63-67	FRAME - license plate, original, (stainless steel)	20.65
A6098 63-67	GASKET - license light assembly to body	5.65
B0463 63-67	PARTS BAG - used for front & rear license plate mount kit	3.20
B1212 63-65	SCREW, NUT & BUMPER KIT - license plate mount, use with B1208	3.65
B1214 63-67	SCREW, NUT & BUMPER KIT - license plate mount, use with B1210	3.65

License Area - Rear



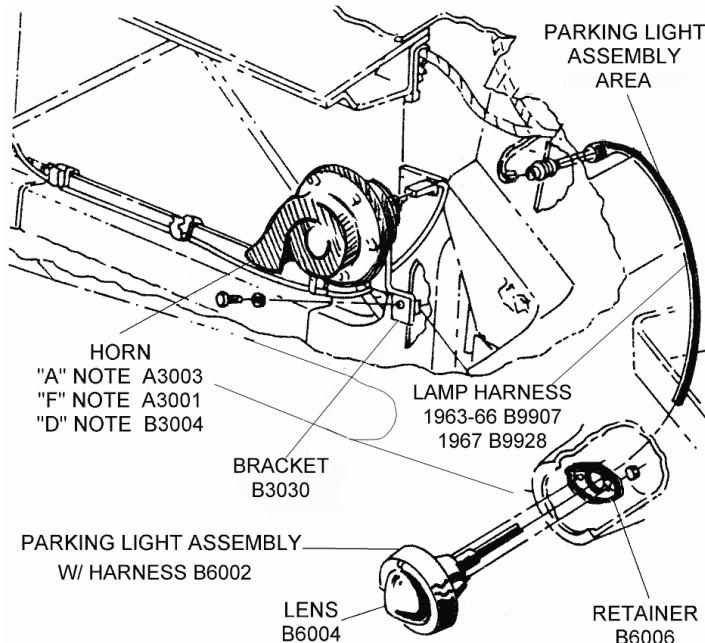
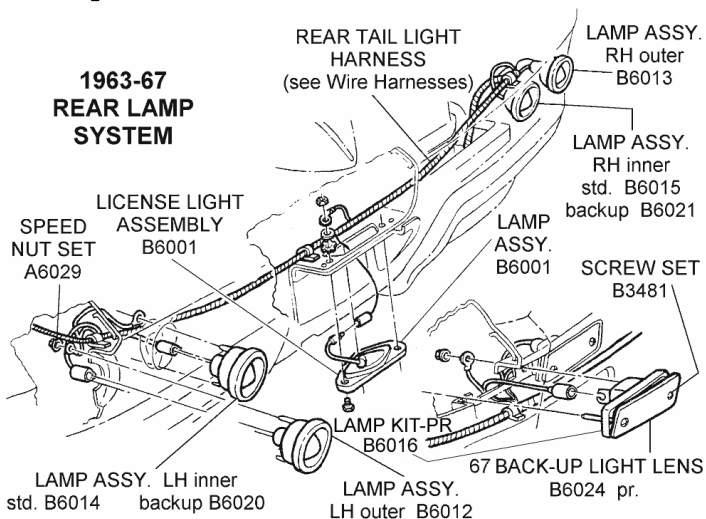
B3322 63-67	BEZEL - rear license	95.35
A6026 63-67	BULB - license light, (ea)	1.20
B3303 63-67	BUMPER - front or rear license plate, rubber	3.00
B3319 63-67	FRAME - license plate, original, (stainless steel)	20.65
B6001 63-67	LAMP ASSEMBLY - license light, w/lens & gasket	106.55
B1289 63-67	NUT SET - license bezel, plastic, (4 pc.)	2.85
B0463 63-67	PARTS BAG - used for front & rear license plate mount kit	3.20
B3432 63-67	SCREW & NUT KIT - rear license bezel mounting, (8 pc.)	5.10
B1260 63-65	SCREW, NUT & BUMPER SET - rear license plate mount	3.65
B1262 66-67	SCREW, NUT & BUMPER SET - rear license plate mount	3.65

LIGHTS, LAMPS & RELATED

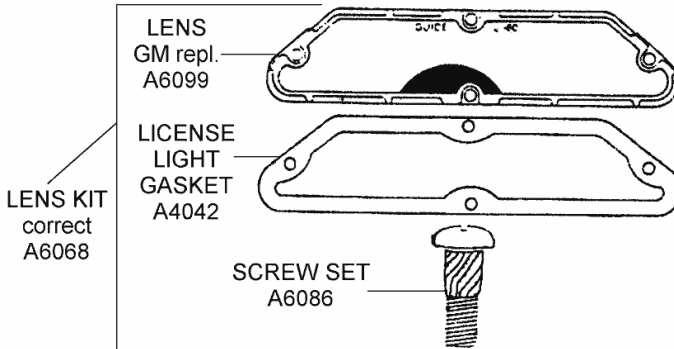
Bulbs

B6057	63-67	BULB - back-up light, (ea)	1.20
A6027	63-67	BULB - courtesy or dome light, (ea)	1.20
B0584	63-67	BULB - dome light/courtesy lamp light	1.30
A6023	63	BULB - glove box light, (ea)	1.20
B6058	64-67	BULB - glove box light & heater or AC control panel light, (ea)	1.20
A6019	63	BULB - headlight beam indicator or cigarette lighter, ignition switch light, (ea)	1.00
B6052	64-67	BULB - headlight beam indicator or cigarette lighter, ignition switch light, (ea)	1.20
A6093	63-67	BULB - headlight, Guide T3, hi beam, 2 prong	35.00
A6007	63-67	BULB - headlight, hi beam, halogen, (ea)	11.95
A6009	63-67	BULB - headlight, hi-low beam, halogen, (ea)	11.95
A6006	63-67	BULB - headlight, hi-low beam, standard replacement, (ea)	9.95
A6026	63	BULB - license light	1.20
B6054	64-65E	BULB - license light, (ea)	1.50
A6035	63-67	BULB - parking brake alarm or headlight motor warning, (flashing) (ea)	2.20
A6024	63	BULB - tail light or turn signal, front & rear, (ea)	1.20
A6050	63-67	BULB - tail light or turn signal, front & rear, (ea)	1.95
A6096	63-67	BULB - tail light, (extra bright, high output) (ea)	2.50
B6059	63	BULB KIT - all, except headlight, (32 pc.)	22.00
B6060	64	BULB KIT - all, except headlight, (33 pc.)	22.00
B6091	65-66	BULB KIT - all, except headlight, (36 pc.)	22.00
B6061	67	BULB KIT - all, except headlight, (36 pc.)	22.00
B4898	63L-67	BULB KIT - incl. correct T3 bulb set, cups, bulb retainers & screws	239.95
A6077	63-67	BULB SET - headlight, Guide T3, Hi/Low beam, (4 pc.)	129.95
B8656	65-67	CLIP - turn signal flasher	5.80

Exterior Lights



A6089	63-67	BLUE DOT SET - inserts for tail light lens, (pr)	7.25
B9970	66	FLASHER SYSTEM - 4 way, with harness & knob & flasher, original	224.95
A6098	63-67	GASKET - license light assembly to body	5.65
A4042	63-67	GASKET - license light lens gray	4.95
A4013	63-67	GASKET - license light lens, white, correct	6.00
A4040	63-67	GASKET - tail light lens, cork, (ea)	6.80
B6010	67	GASKET SET - back-up lens, (pr)	4.25
B4010	63-67	GASKET SET - parking light lens, (pr)	2.80
A4044	63-67	GASKET SET - tail light housing to body, gray, (4 pc.)	8.10
B9907	63-66	HARNES/EXTENSION SET - front parking lamps / included w/lamp assemblies	50.50
B9928	67	HARNES/EXTENSION SET - front parking lamps / included w/lamp assemblies	50.50
B6001	63-67	LAMP ASSEMBLY - license light, w/lens & gasket	106.55
B6016	67	LAMP KIT - back-up light assemblies, LH & RH complete w/lens, gaskets, sockets, housings, (pr)	204.00
B6018	63-66	LENS - back-up light, (ea)	4.85
A6099	63-67	LENS - license light	18.45
B6004	63-67	LENS - parking light, front	19.15
A6062	63-67	LENS - tail light, (ea)	13.20



ORDER BY PHONE:
1-800-872-2446

ORDER BY FAX:
708-458-2662

TECHNICAL QUESTIONS:
708-458-2500

CUSTOMER SERVICE:
708-458-6577

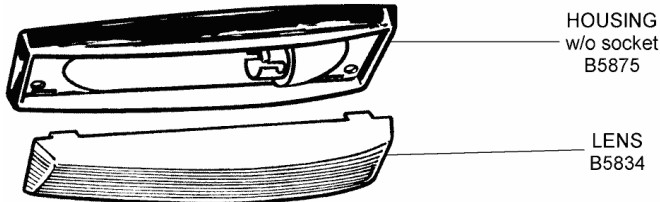
QUESTIONS ABOUT YOUR ORDER:
708-458-2500

A6068	63-67	LENS KIT - license light, correct w/white gasket & screws	24.25
B6024	67	LENS SET - back-up lights, (pr)	60.70
B6002	63-67	LIGHT ASSEMBLY - parking light turn signal, front	97.95
B3436	63-67	MOUNT KIT - parking light nuts & washers, (8 pc.)	3.30
B6017	67	NUT SET - back-up light mounting, (4 pc.)	1.20
A6029	63-67	NUT SET - rear tail lights, speed nut type, (8 pc.)	2.95
B6095	63-67	PIGTAIL - back-up light connector w/wire	11.00
A6036	63-67	PIGTAIL - tail light connector, turn/stop, w/wires	11.50
B6006	63-67	RETAINER - parking light assembly	9.95
A4931	63-67	RING - headlight bulb retaining, stainless steel, (4 req.) (ea)	22.60
B3481	67	SCREW SET - back-up light lens, (4 pc.)	4.90
A4934	63-67	SCREW SET - headlight capsule adjustment	1.75
A6088	63-67	SCREW SET - license light housing to body, (12 pc.)	4.25

A6086	63-67	SCREW SET - license light lens, (4 pc.)	4.75
B6019	63-67	SCREW SET - parking light lens, (4 pc.)	3.05
A6074	63-67	SCREW SET - tail light lens, (4 pc.)	3.05
B6020	63-66	TAIL LIGHT ASSEMBLY - back-up inner, LH	73.30
B6021	63-66	TAIL LIGHT ASSEMBLY - back-up inner, RH	73.30
B6014	63-67	TAIL LIGHT ASSEMBLY - inner, LH	73.30
B6015	63-67	TAIL LIGHT ASSEMBLY - inner, RH	73.30
B6012	63-67	TAIL LIGHT ASSEMBLY - outer, LH	73.30
B6013	63-67	TAIL LIGHT ASSEMBLY - outer, RH	73.30

NOTE: Tail Light Assemblies include chrome housing, lens, light socket, gasket, screws and speed nuts.
 B6009 63-66 TAIL LIGHT KIT - w/back-up, (4 pc.)277.85
 B6008 63-67 TAIL LIGHT KIT - w/o back-up, (4 pc.)277.85
 A6059 63-67 WICK SET - tail light lens drains, (4 pc.) ...3.95

Interior Lights

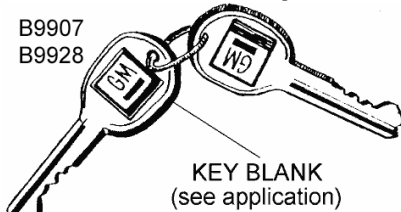


B5846	63-67	BRACKET - courtesy light w/screw	10.65
A6027	63-67	BULB - dome light	1.20
B5845	63-67	HOUSING/BEZEL - dome light w/o socket, coupe	39.25
B5834	63-67	LENS - dome light, coupe	6.90
B6027	63-67	SCREW & 'U' NUT SET - dome light housing mount	6.95

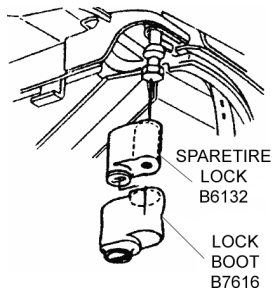
LOCKS & RELATED

All locks have correct faces. Sets are keyed alike with original type key. Other miscellaneous lock parts available, Call. Also see DOOR and SWITCH groups.

A6132	63-67	BEZEL/ESCUTCHEON - door lock, (2 req.)(ea)	8.95
B7616	63-67	BOOT - spare tire lock	8.95
B6131	64-67	CASE, CYLINDER & BEZEL - glove box lock	13.95
A6131	63-67	CLIP SET - door lock pawl retainer, (pr)	2.95
B6154	67	CONTROL - front door lock remote, no knob shaft, (2 req.)(ea)	25.00
B6153	67	CONTROL - rear door lock remote, (2 req.)(ea)	25.00
A6140	63-64	FACE - ignition lock cylinder w/single hole	13.90
A4024	63-67	GASKET SET - door locks, (pr)	3.00

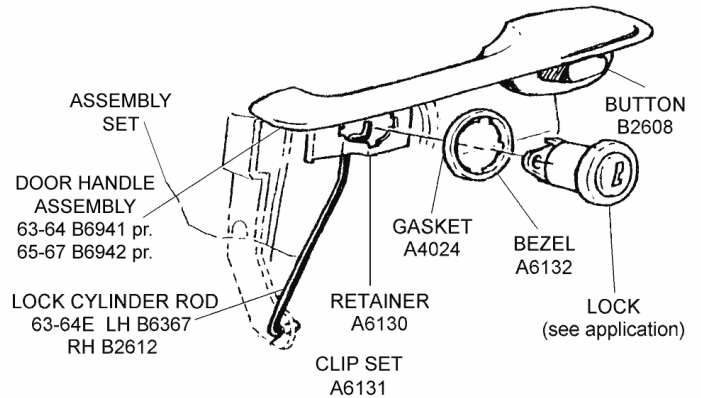


A6129	63-66	KEY BLANK - glove box, original round type	4.95
B6151	67	KEY BLANK - glove box, round 'B' original style	4.20
A6128	63-66	KEY BLANK - ignition/door, original hex type, GM replacement	4.95
B6149	67	KEY BLANK - ignition & door, hex 'A' original style	4.20
A6154	63-64	LOCK - ignition cylinder, w/key	33.00
B6145	65	LOCK - ignition cylinder, w/key	29.95
B6170	66-67	LOCK - ignition cylinder, w/key	29.95
B6150	66-67	LOCK - ignition cylinder, w/ square replacement key	14.95

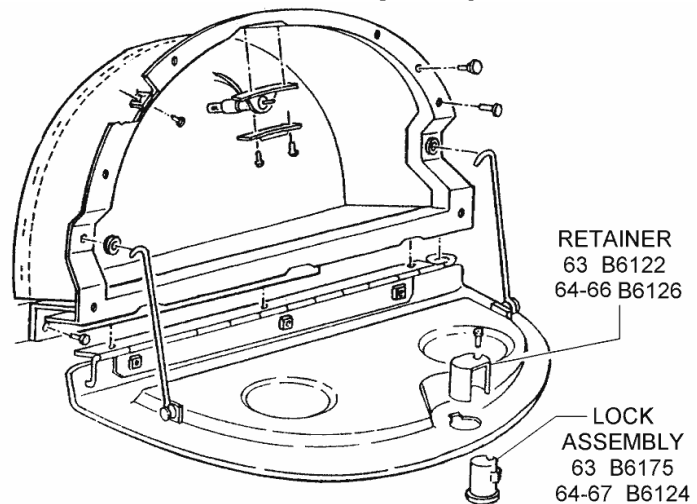


B6132	63-67	LOCK - spare tire lock, w/original type key	67.25
B6130	63-67	LOCK - spare tire, (w/69-82 oval key)	44.85
B6175	63	LOCK ASSEMBLY - glove box door, includes bezel, lock case & cylinder w/key	45.00

B6124	64-66	LOCK ASSEMBLY - glove box door, includes bezel, lock case & cylinder w/key	40.15
B0637	67	LOCK ASSEMBLY - glove box door, includes bezel, lock case & cylinder w/ key	34.50
B2670	63-66	LOCK CONTROL - inside door remote opening, (2 req.)(ea)	27.95
B6105	63-67	LOCK RE-KEYING - spare tire, to your current door lock, send us your original key or code & we will get a new spare tire lock keyed to match, (includes 2 keys)	58.95



B6116	63-66	LOCK SET - 2 doors, (pr)	46.00
B6147	67	LOCK SET - 2 doors, keyed alike, (pr)	48.30
B6102	63-64	LOCK SET - 2 doors, glove box, ignition	114.95
B6104	65	LOCK SET - 2 doors, glove box, ignition	116.30
B6106	66-67	LOCK SET - 2 doors, glove box, ignition	94.75
A6110	63-64	LOCK SET - ignition and doors	91.75
B6110	65	LOCK SET - ignition and doors	68.45
B6112	66	LOCK SET - ignition and doors	72.85
B6113	67	LOCK SET - ignition and doors	100.00
A6118	63-66	PAWL - door lock cylinder, tear drop shape	3.85
B6146	67	PAWL - door lock cylinder	2.00
A6130	63-66	RETAINER - door lock	8.30
B6103	67	RETAINER - door lock	4.50
B6144	67	RETAINER - door lock cylinder pawl	1.25



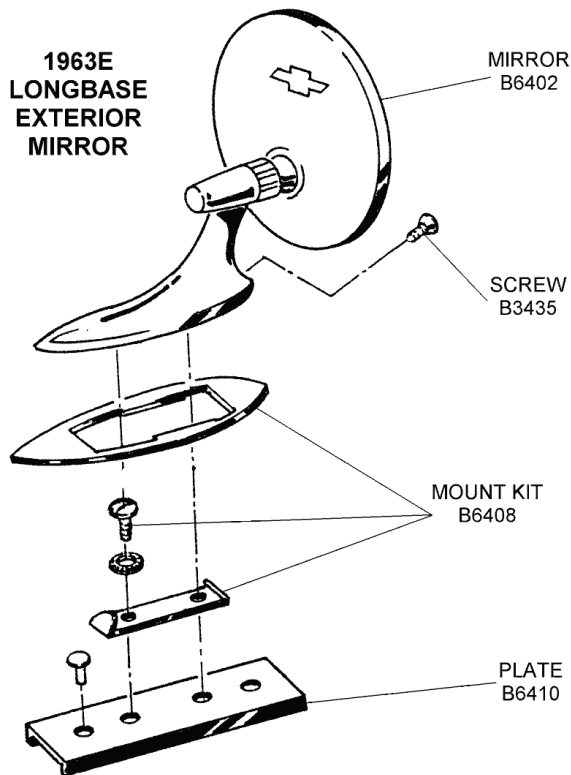
B6122	63	RETAINER - glove box lock	6.20
B6126	64-67	RETAINER - glove box lock	8.30
B2611	63-64E	ROD - door lock cylinder, down, LH	5.95
B2612	63-64E	ROD - door lock cylinder, down, RH	5.95
B6155	64L-66	ROD - door lock cylinder, down, LH	6.80
B6157	64L-66	ROD - door lock cylinder, down, RH	6.80
B6158	67	ROD - door lock cylinder, down, LH	8.45
B6159	67	ROD - door lock cylinder, down, RH	8.45
B6957	67	ROD - inside horizontal door lock	9.35
B2665	63-67	ROD - vertical door lock knob to mechanism	6.60
B6128	63-67	SCREW w/WASHER - glove box lock retainer	1.15

MIRRORS

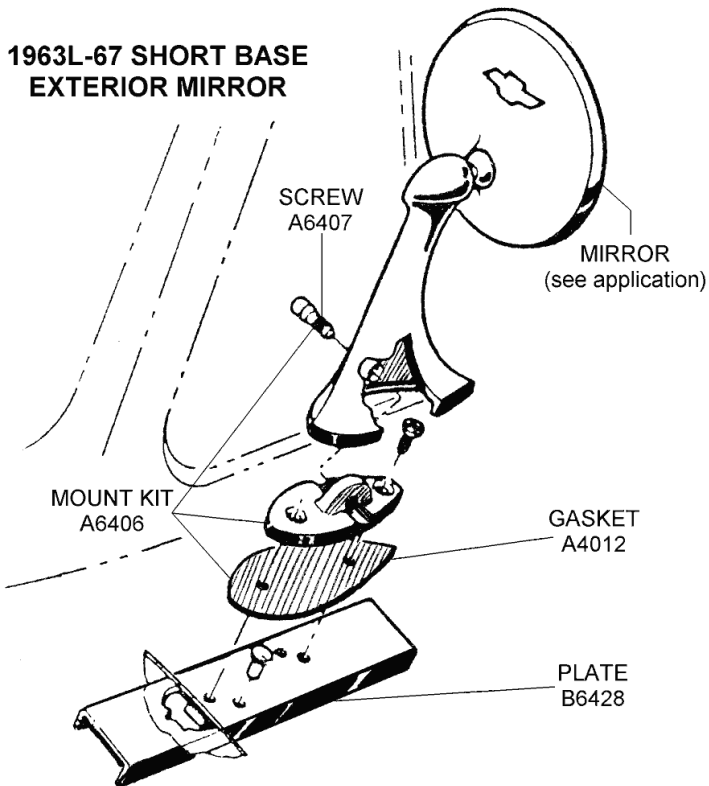
Exterior

B6498	63E	BRACKET - mirror, long base	5.00
A6405	63-67	BRACKET - mirror, short base	CALL
B6442	63E	GASKET - long base mirror bracket	7.00
A4012	63-67	GASKET - outside mirror	2.00

NOTE: 1963E Long base "Bowtie" Mirrors were used to approx. serial #11,100. All 1967s thru serial #8000 used a "Bowtie" outside mirror. Some 1967 serial #8000-10500 have also been found with the "Bowtie" mirror. After serial #10500 the "No Bowtie" mirror was used.



1963L-67 SHORT BASE EXTERIOR MIRROR



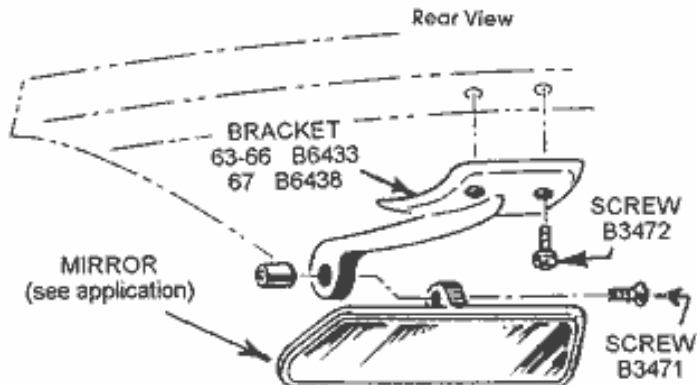
B6423	67	MIRROR - B6422 w/ custom dated glass	87.10
B6413	63-67	MIRROR - bow-tie LH w/mount kit & correct dated glass, specify date (-DMI-) when ordering	100.75

NOTE: All 1963-67 Outside Mirrors originally used dated glass. The date code format is XX DMI Y. XX is the month, DMI (Donnelley Mirror Inc.) is the manufacturer and Y is the year. Example: 6 DMI 7 = June 1967.

B6402	63E	MIRROR - long base outside bow-tie / imported	40.00
B6403	63E	MIRROR - long base outside bow-tie w/correct dated glass, specify date (-DMI-) when ordering	78.75
B6412	63-67	MIRROR - bow-tie, LH	78.25
B6416	63-67	MIRROR - bow-tie, RH (exact repro)	103.40
B6424	63-67	MIRROR - glass w/correct date, (specify date car was built)	20.70
B6420	67	MIRROR - outside w/o bow-tie	72.85

B6422	67	MIRROR - w/snap ring, w/o bow-tie as original	112.00
B6408	63E	MOUNT KIT - long base outside, (bracket, gasket, & screws)	11.00
A6404	63-67	MOUNT KIT - outside mirror bracket, w/gasket & 3 screws	12.40
B6410	63	PLATE - long base mirror reinforcement	10.00
B6428	63L-67	PLATE - mirror reinforcement	10.35
B6425	63-67	REPAIR KIT - mirror glass, non-dated glass, retainer ring & springs	16.30
B6426	63-67	RIVET SET - outside mirror mount reinforcement, (2 pc.)	1.00
B3435	63E	SCREW - long base outside mirror, (ea)	3.55
A6407	63-67	SCREW - outside mirror, (socket head) (ea)	2.85
B6427	63E	SCREW SET - long base mirror bracket mount, (2 pc.)	1.20
A6425	63L-67	SCREW SET - mirror mount bracket to door, (2 pc.)	2.15

Interior: Rear View



B6433	63-66	BRACKET - inside mirror support	53.60
B6438	67	BRACKET - inside mirror support	64.50
B6429	63-67	BUSHING - inside mirror to support	2.40
B6441	67	COVER - inside rear view mirror bracket, vinyl, (specify color)	36.65
B6430	63-66	GLASS - inside mirror glass, (dated, specify date)	85.65
B6499	67	GLASS/PRISM MIRROR - day/night, glass only	51.75
B6432	63-66	MIRROR - inside, except day/night, (repl.)	50.45
B6401	63-66	MIRROR - inside, w/o day/night, recon. w/Guide logo	250.00
B6435	65-66	MIRROR - inside day/night, w/ball stud, restored original	350.00
B6436	67	MIRROR - inside day/night - excellent reproduction	77.25
B3471	63-67	SCREW - inside mirror to support, (ea)	1.95
B3472	63-67	SCREW SET - inside mirror support to header, (2 pc.)	2.25

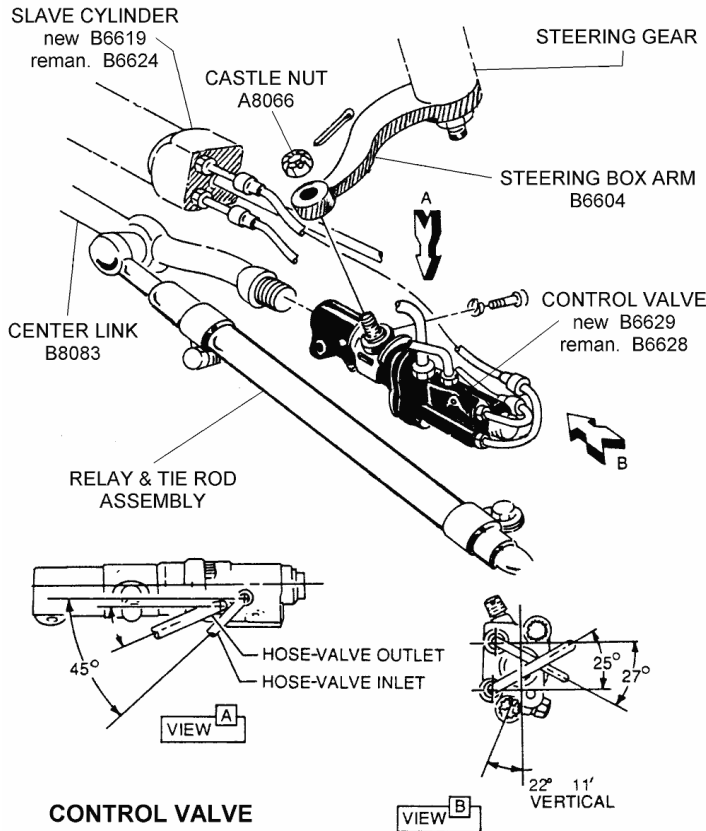
POWER STEERING

Control Valves & Rebuilding Parts

It is recommended that you always replace your power steering hoses when you install a new or remanufactured control valve. Hoses often look good on the outside but are decomposed on the inside. Decomposition causes rubber to break loose and flow into the control valve causing failure.

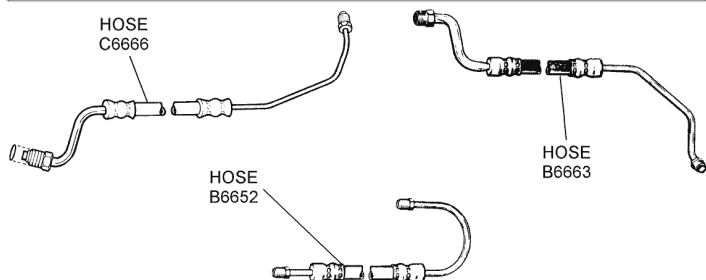
B6634	63-67	BOOT/SEAL - power steering control valve ball stud	5.95
B6638	63-67	CAP - power steering control valve end dust cap	3.95
B6629	63-67	CONTROL VALVE - power steering, (new)	197.95
B6628	63-67	CONTROL VALVE - power steering, (remanufactured, rebuilt, exchange, \$100 CORE CHARGE), 2 year warranty	94.95
A8311	63-67	FORK - removes control valve ball stud from box arm	15.50
A8066	63-67	NUT - castle/slotted type, (ea)	1.75
B6632	63-67	REBUILD KIT - control valve, includes seals, boot, strap, cap & castle nut	23.95
B6673	63-67	REBUILD KIT - master/ contents of B6632 w/ball stud	44.00
B6636	63-67	STRAP - control valve boot/seal retainer	5.50

Hoses & Steering Rack Components



Control Valve Adjusting and Bleeding the System

1. With power steering reservoir full, start engine momentarily and shut off. Refill pump reservoir.
2. Repeat above operation until pump reservoir level remains constant.
Caution: Keep arms away from steering wheel. Wheel may start to turn by itself; if so, valve centering is required. (Every vehicle is slightly different and it is not possible to exactly preset the valves at the factory.)
3. If centering is required, remove metal cap and adjust centering by turning nut (under cap) while engine is running at 1500 RPM's. Wheels will turn left or right as nut is adjusted.
4. If the rod moves outward, turn the adjusting nut counter-clockwise until the rod begins to retract. Now turn the adjusting nut clockwise while counting the number of turns necessary to make the rod move outward again. Divide this number of turns in half, and turn the adjusting nut counter-clockwise by this amount.
5. Once both wheels are straight, replace cap.
6. Turn steering wheel to a full left turn, and then to a full right turn, and hold momentarily; this bleeds the system.
7. Re-fill reservoir if power steering fluid has dropped.



- B8083 63-67 CENTER/DRAG LINK - w/power steering, large diameter rod, 69-82 design199.95
- B8000 63-67 CENTER/DRAG LINK - w/power steering, small diameter rod, (recond.)249.95
- B2250 63-67 CLAMP SET - power steering return hose, (pr) 12.45
- B6611 63-67 CLIP - power steering hoses, 'C' shaped, (ea) 5.95
- B6663 63-67 HOSE - pump to control valve pressure line, 32717.00
- B6665 65-67 HOSE - pump to control valve pressure line, 42724.95

- B6648 63-67 HOSE - pump to control valve, return line ...19.95
- B6654 63-67 HOSE - valve to cylinder, large bend19.95
- B6652 63-67 HOSE - valve to cylinder, small bend20.80
- B6664 63-67 HOSE KIT - 327, (4 pc.)74.95
- B6668 65-67 HOSE KIT - 427, (4 pc.)72.95
- B6604 63-67 PITMAN (BOX) ARM - steering box, w/power steering casting #374138354.95
- B6676 63-67 PLUG SET - steering knuckle hole, plugs rear hole of steering knuckle on cars w/power steering, (pr)11.30

Power Steering Reconditioning Kits

POWER STEERING SYSTEM RENEWAL KITS					
CONTROL VALVE & HOSE KITS					
B6623	65-67	427			
B6625	63-67	327			
HYDRAULIC KIT					
B6630	63-67	324 / 427			
SUPER KIT					
B6621	65-67	427			
B6622	63-67	327			
B6628	63-67	CONTROL VALVE	1	1	1
B6664	63-67	HOSE KIT (4 pc.)	1		1
B6668	65-67	HOSE KIT (4pc)		1	1
B6606	63-67	PUMP	1	1	1
B6624	63-67	SLAVE CYLINDER	1	1	1

- Prices shown do not include core charges on pumps, slave cylinders or control valves.
- B6625 63-67 CONTROL VALVE [remanufactured/exchange] w/4 HOSE KIT / 327, see chart for details149.95
 - B6623 65-67 CONTROL VALVE [remanufactured/exchange] w/4 HOSE KIT / 396-427, see chart for details157.95
 - B6630 63-67 HYDRAULIC KIT - CONTROL VALVE, PUMP & SLAVE CYLINDER [remanufactured/exchange], see chart for details249.95
 - B6622 63-67 SUPER KIT - control valve, pump & slave cylinder [remanufactured/exchange] w/4 hoses - all w/327, see chart for details ...279.95
 - B6621 65-67 SUPER KIT - control valve, pump & slave cylinder [remanufactured/exchange] w/4 hoses - all w/396-427, see chart for details 289.95

ORDER BY PHONE:

1-800-872-2446

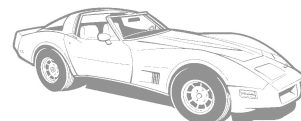


ORDER BY FAX:

708-458-2662

TECHNICAL QUESTIONS:

708-458-2500



CUSTOMER SERVICE:

708-458-6577

QUESTIONS ABOUT YOUR ORDER:

708-458-2500



Power Steering System Conversion: Everything You Need To Convert To Power Steering

1963-67 POWER STEERING CONVERSION KITS			
B6677	63-67	327 Base Engine, 250hp/300hp & 66-67 350hp w/AC Conversion	
B6670	63-67	327/350 hp w/o AC Conversion	
B6662	63-67	396/427 Conversion	
B0440		BRACE - alternator, upper	1
B6620		BRACKET - p/s pump mount, 396/427	1
B0444		BRACKET - alternator mount adjustment	1
B6618		BRACKET KIT - p/s pump, 327	1 1
B6656		BRACKET - p/s cylinder on frame	1 1 1
B0438		BRACKET - alternator, 396/427	1
B6610		CAP - power steering pump	1 1 1
A8066		CASTLE NUT - control valve / slave cylinder	2 2 2
B8083		CENTER / DRAG LINK	1 1 1
B6628		CONTROL VALVE	1 1 1
G0015		COTTER VALVE	2 2 2
A2074		COTTER KEYS - for castle nuts	2 2 2
B6624		CUSHION - shaft cylinder, frame mount	1 1
B6668		HOSE KIT - 4pc., w/327	1 1
B6659		NUT & BOLT KIT - pump & bracket mount (4 pc.) w/427	1
B6600		NUT - p/s pump pulley	1 1 1
B6604		PITMAN (BOX) ARM	1 1 1
B6616		PULLEY - p/s pump, 396/427	1
B6614		PULLEY - p/s pump, 327 special hi-perf.*	1
B6612		PULLEY - p/s pump, 327 base engine, 250/300 hp	1
B6606		PUMP - power steering	1 1 1
B6658		REINFORCEMENT - frame bracket slave shaft	2 2 2
B6624		SLAVE CYLINDER	1 1 1
B6642		SLEEVE - slave cylinder mount	1 1 1
B0442		STRAP - alternator mount 396 / 427	1
B3157		STUD - pump & alternator mount 396/427	1
B6644		WASHER - slave cylinder mount to frame bracket	2 2 2

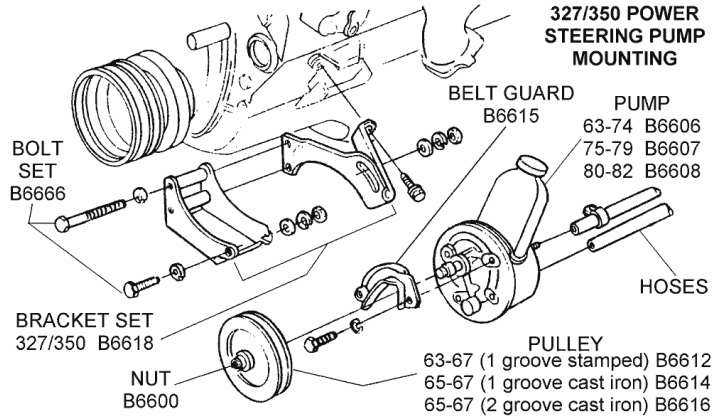
NOTE: 327 cu. in., 340, 360, 365 & 375hp were not offered with power steering from the factory. If you are choose to use P/S on these engines, you must change your oil pan from "6 quart" to "5 quart" and replace oil pickup tube. 1965 396 engine equipped Corvette did not come with power steering. B6612 also used on 66-67 350HPw/AC.

B6670	63-67	POWER STEERING CONVERSION KIT - 327 350hp - SEE TABLE	774.95
B6677	63-67	POWER STEERING CONVERSION KIT - 327 250/300hp - SEE TABLE	674.95
B6662	65-67	POWER STEERING CONVERSION KIT - 396/427 - SEE TABLE [not original on 1965's]	924.95

Pulleys

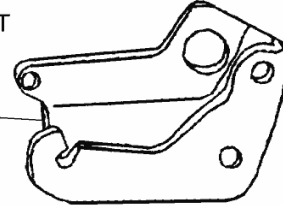
B6612	63-67	PULLEY - power steering pump, 63-67 327, (exc. 350 hp, w/o AC) all 69-74 350 w/AC, single groove, stamped steel	62.95
B6614	65-67	PULLEY - power steering pump, 327 350 hp, 69-74 350 no AC, single groove, cast iron	95.00
B6616	65-67	PULLEY - power steering pump, 396/427, 2 groove, cast iron	109.95
B6829	63-67	TOOL - power steering pump pulley removal	58.65

Pump



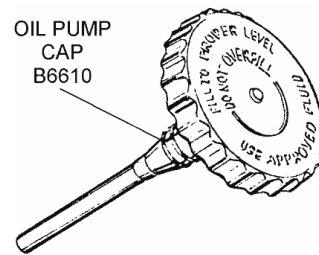
B6680	65L-67	BOLT & LOCK WASHER SET - power steering pump bracket mount, 327, (9 pc.)	3.50
B6659	65E-67	BOLT & NUT KIT - power steering & alternator, w/427, (includes bolts for alternator bracket to head & power steering bracket to block)	14.80
B6675	65-67	BOLT SET - power steering belt guard, (pr)	2.50
B6651	63-65E	BOLT SET - power steering bracket mount, 327, (9 pc.)	4.60
B6649	65-67	BOLT SET - power steering pump mount, 396/427, (3 pc.)	3.00
B6666	63-67	BOLT SET - power steering pump, 'TR' headmark	11.25
B0440	65-67	BRACE - alternator, upper, 396/427	14.60
B6626	63-67	BRACE - power steering pump adjusting, w/327, part of B6618, 63-65 replacement	25.00
B0444	65-67	BRACKET - alternator adjusting & P/S pump mount, 427	83.35
B6620	66-67	BRACKET - power steering pump mount, 427	53.80
B6679	63-65E	BRACKET - power steering pump, 327, thru Oct. 65	41.25
B6678	63-65	BRACKET - power steering pump, all exc. sp. hi-perf., GM #378670	45.00

BRACKET B6627

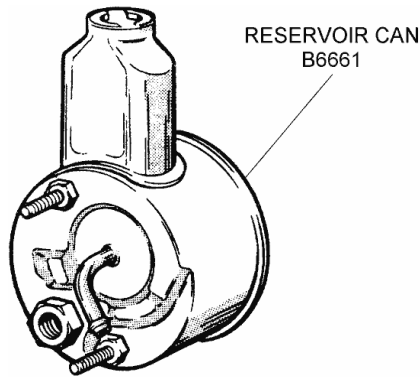


B6627	63-67	BRACKET - power steering pump, w/327, part of B6618	26.90
B6618	63-67	BRACKET KIT - power steering pump, 327, (2 pc.) (#1)	46.65

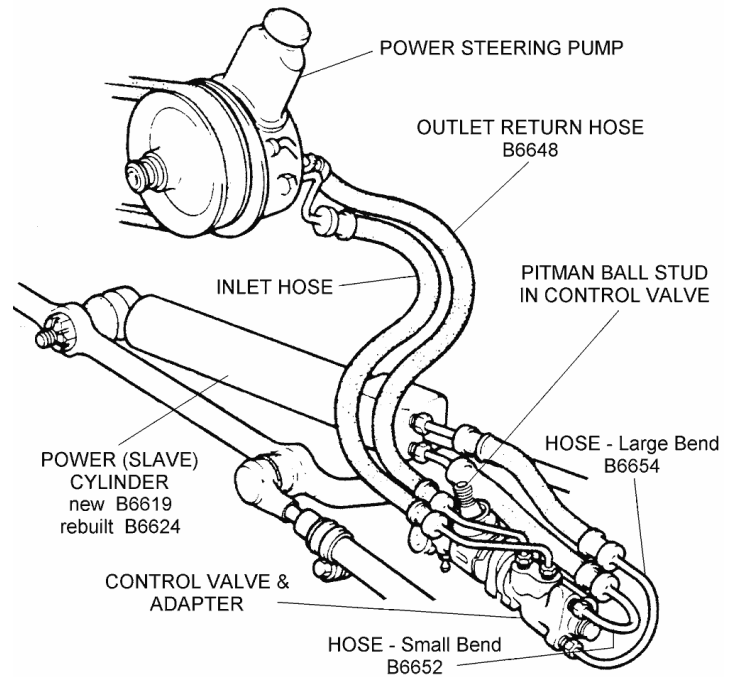
OIL PUMP CAP B6610



B6610	63-67	CAP - power steering pump	10.55
B6698	63-67	CAP - power steering pump, metal, original, used	34.95
B6655	63-67	FLUID - power steering, 12 oz.	3.45
B6657	63-67	FLUID - power steering, 32 oz.	5.45
B6615	65-67	GUARD - belt, power steering pump, 327 all w/AC	18.65
B6600	63-67	NUT - power steering pulley	6.75
B6827	63-67	NUT - power steering pump (used/original)	8.00
B6606	63-67	PUMP - power steering, (rebuild/exchange)	79.95
B6653	63-67	PUMP - power steering, w/o can	64.95
B6609	63-67	REBUILD KIT - power steering pump	11.55

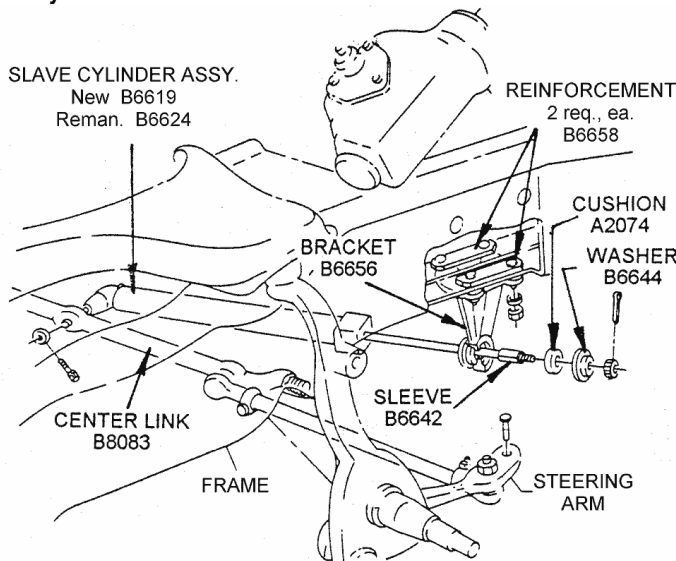


- B6661 63-67 RESERVOIR CAN - power steering pump, original tear drop style, w/seals89.95
- B0442 65-67 STRAP - alternator lower13.00
- B3157 65-67 STUD - power steering pump and alternator mounting & adjusting, all 427/4546.00
- B6637 63-67 STUD - power steering pump can, (2 req. ea) . .6.95
- B6674 63-67 SUPPORT - power steering pump, (used, recond.) (included in kit B6618)14.00



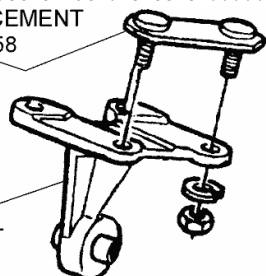
- B6619 63-67 SLAVE CYLINDER - new174.95
- B6642 63-67 SLEEVE - power steering cylinder mount grommet2.50
- B6644 63-67 WASHER - power steering cylinder mount grommet, (ea)4.25

Slave Cylinder



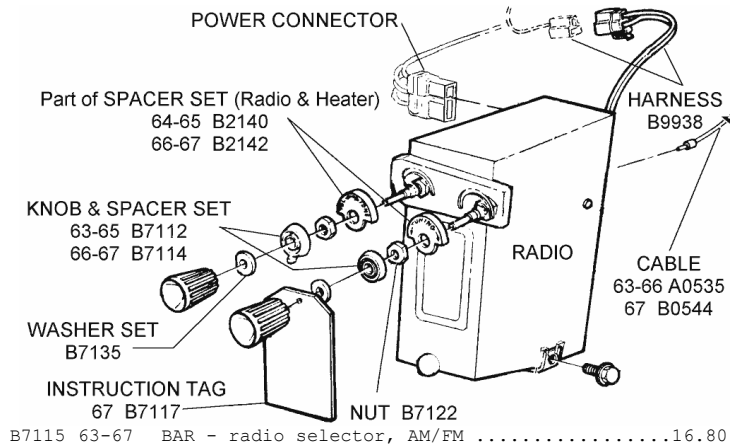
- B6656 63-67 BRACKET - power steering cylinder on frame . .44.00
- A2074 63-67 CUSHION/BUSHING - power steering cylinder mount, (2 req.) (ea)2.50
- B6639 63-67 CUSHION/BUSHING SET - power steering cylinder mount, polyurethane cushions, w/sleeve & washers, (5 pc.)10.75
- A8053 63-67 DUST BOOT/GREASE SEAL - ball stud, slave cylinder3.95
- A8066 63-67 NUT - castle/slotted type, (ea)1.75
- B6660 63-67 REBUILD KIT - power steering slave cylinder, kit includes seals, cushions, washers, ball stud boot, castle nut & sleeve19.95

REINFORCEMENT B6658

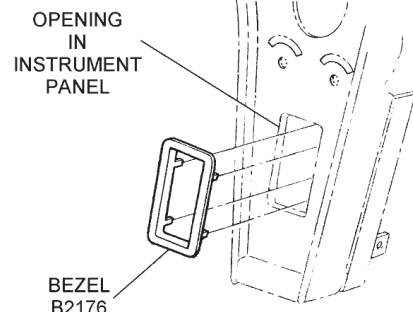


- B6658 63-67 REINFORCEMENT - power steering cyl. frame bracket, (2 req.) (ea)8.50
- B6671 63-67 SHAFT - slave cylinder, hard chromed39.95
- B6624 63-67 SLAVE CYLINDER - power steering, includes new chromed shaft, exchange97.95

RADIO & RELATED

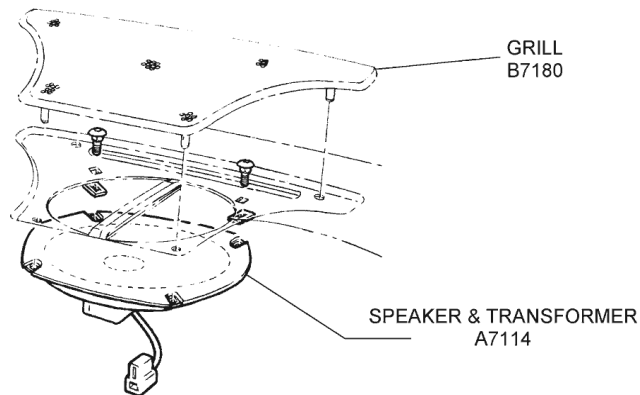
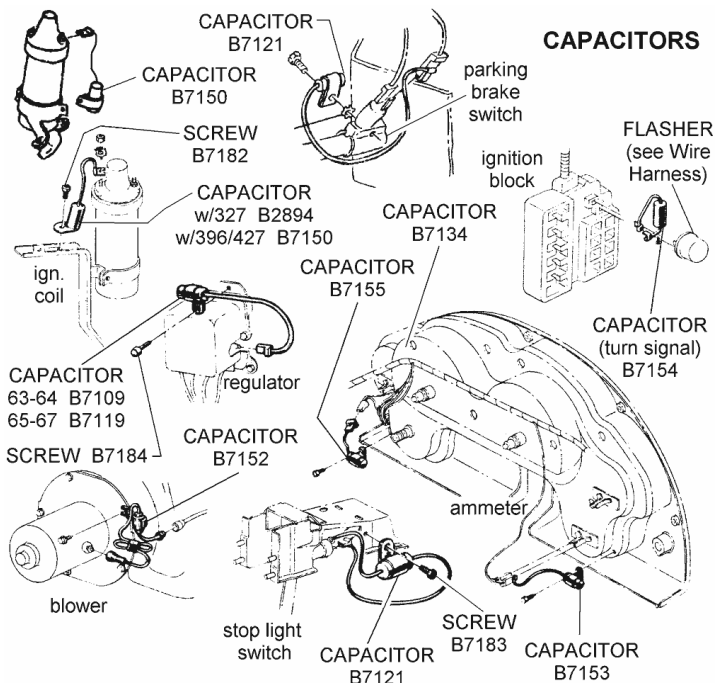


- B7115 63-67 BAR - radio selector, AM/FM16.80



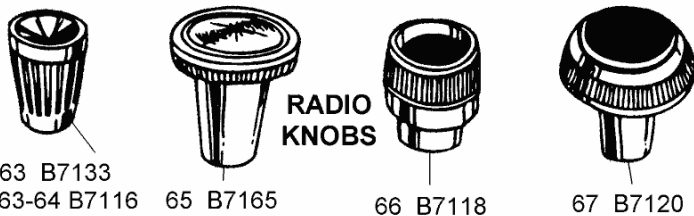
- B2176 63-67 BEZEL - radio trim, on dash, stainless steel16.00
- B2134 63 BEZEL SET - radio control only, on dash, (2 pc.)26.75
- B7108 63-67 BOLT & WASHER KIT - ground strap set20.00
- B7136 63-67 BOLT SET - speaker forward mount, (2 pc.) . . .1.20
- B6051 63-67 BULB - radio dial1.20
- B7137 63-67 BUMPER - radio mounting, rubber, lower front1.00



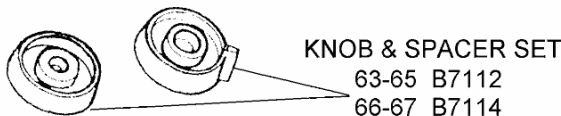


B7153 63-67	CAPACITOR - on ammeter gauge, behind dash	29.35
B7147 64-67	CAPACITOR - on brake light switch	26.75
B7150 67L	CAPACITOR - on coil bracket, 427/390hp, w/o TI after 3-67	29.35
B2894 63-67	CAPACITOR - on coil, w/bracket, 327 (orange wire)	11.95
B7155 63-67	CAPACITOR - on dash rear, near ignition switch	29.35
B7152 64-67	CAPACITOR - on heater blower motor, (1 or 2 req.) (ea)	45.00
B7121 63	CAPACITOR - on parking brake or brake light switch, (2 req.) (ea)	29.35
B7134 64-67	CAPACITOR - on parking brake wire, behind dash, w/plastic clip	36.65
B7154 63-67	CAPACITOR - on turn signal switch, between flasher & fuse block	27.00
B7151 63-67	CAPACITOR - on voltage regulator	21.10
B7172 63-64	CAPACITOR - on voltage regulator, GM #1960957, restored original	21.00
B7173 65-67	CAPACITOR - on voltage regulator, GM #1964086, restored original	21.00
B7166 63E	CARD - FM radio antenna, hangs from RH radio knob, (3/63 - 4/63)	3.95
B7167 63L	CARD - FM radio antenna, hangs from RH radio knob, (4/63 - 6/63)	3.95
B7171 64-65	CARD - FM radio antenna, hangs from RH radio knob, slit	3.60
B7113 65-66	CARD - FM radio antenna, hangs from RH radio knob, no slit	4.50
B7117 67	CARD - FM radio antenna, hangs from RH radio knob, printed on one side	4.45
B2157 65-67	CLIP SET - radio side panel support, (2 pc.)	10.35
B7175 63-64	DECAL - radio number overlay, (under lens)	17.75
B7176 65-67	DECAL - radio number overlay, (under lens)	17.95

B7180 63-67	GRILLE ASSEMBLY - speaker, w/2 hex & 2 speed nuts	76.20
B0520 63-67	GROUND STRAP - antenna	5.00
B7138 63-67	GROUND STRAP - body to frame, at door sill	7.75
B7140 63-67	GROUND STRAP - center exhaust hanger, (2 req.) (ea)	7.75
B7139 63-67	GROUND STRAP - engine mount	7.75
B7102 63	GROUND STRAP KIT - radio, w/o side exhaust	34.00
B7106 64-66	GROUND STRAP KIT - radio, w/o side exhaust	27.95
B7110 67	GROUND STRAP KIT - radio, w/o side exhaust	27.95
B7104 63-66	GROUND STRAP KIT - radio, w/side exhaust	27.95
B7111 67	GROUND STRAP KIT - radio, w/side exhaust	26.90
B9938 63-67	HARNASS - radio to speaker, 2 leads, 2 connectors & clip	12.95

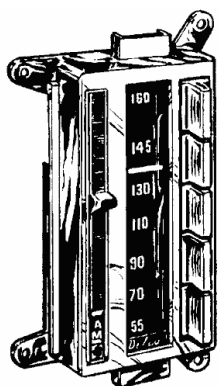


RADIO KNOBS



KNOB & SPACER SET
63-65 B7112
66-67 B7114

B7141 63	KNOB & SPACER KIT - radio, (2 knobs, 2 tuning knobs, spacer, washers & nuts)	47.95
B7142 64	KNOB & SPACER KIT - radio, (2 knobs, 2 tuning knobs, spacer, washers & nuts)	46.05
B7143 65	KNOB & SPACER KIT - radio, (2 knobs, 2 tuning knobs, spacer, washers & nuts)	48.95
B7144 66	KNOB & SPACER KIT - radio, (2 knobs, 2 tuning knobs, spacer, washers & nuts)	47.90
B7145 67	KNOB & SPACER KIT - radio, (2 knobs, 2 tuning knobs, spacer, washer & nuts)	46.25
B7112 63-65	KNOB & SPACER SET- tone control, under radio knob, (pr)	18.20
B7114 66-67	KNOB & SPACER SET- tone control, under radio knob, (pr)	16.85
B7133 63	KNOB - AM/FM radio	18.75
B7116 63-64	KNOB - AM/FM radio, (set screw type)	18.75
B7165 65	KNOB - radio	24.95
B7118 66	KNOB - radio	19.80
B7120 67	KNOB - radio	19.80
B7160 63	LENS - Wonderbar radio	20.95
B7161 63-64	LENS - AM/FM push button radio	20.95
B7162 65	LENS - AM/FM push button radio	20.95
B7163 66-67	LENS - AM/FM push button radio	20.95
B7122 63-67	NUT - radio retainer around volume & tuning controls, (2 req.) (ea)	1.60
B1911 63-67	NUT SET - radio side panels, 'U' shape, (4 pc.)	1.65
B2155 63-67	NUT SET - speaker & grille	4.15
B1939 63	PANEL - side, radio console, fiberglass, LH	95.00
B1940 64-66	PANEL - side, radio console, fiberglass, LH	95.00
B1944 67	PANEL - side, radio console, fiberglass, LH	95.00
B1942 63-66	PANEL - side, radio console, fiberglass, RH	95.00
B1946 67	PANEL - side, radio console, fiberglass, RH, w/AC	95.00
B1945 67	PANEL - side, radio console, fiberglass, RH, w/o AC	95.00
B7149 63-67	PLUG & TERMINAL KIT - speaker	4.00
B3476 65-66	SCREW & NUT KIT - power antenna switch, (4 pc.)	2.20
B7183 64-67	SCREW - capacitor, on brake switch	1.00
B7182 63-67	SCREW - capacitor, on coil bracket	1.00
B7184 64-67	SCREW - capacitor, on voltage regulator	1.25
B7146 63-67	SCREW - radio mounting	1.00

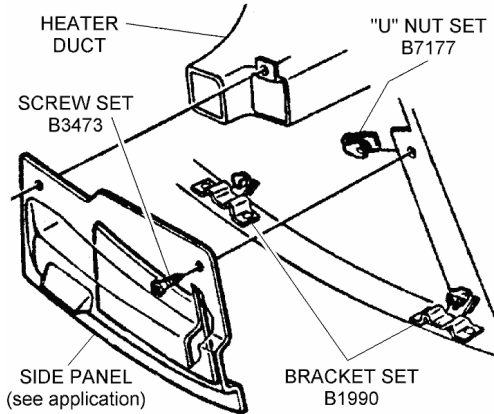


1963-67
RADIO
FACE KIT

B7130 63L-64	FACE KIT - AM/FM radio	199.95
B7131 65	FACE KIT - radio	199.95
B7132 66-67	FACE KIT - radio	199.95

NOTE: Face kits include chrome face bezel, new slider with lens installed and 5 push buttons. You must re-use your old lens retainer and backer.

B1909 63-67 SCREW SET - radio side cover panels, (correct) (4 pc.)5.35

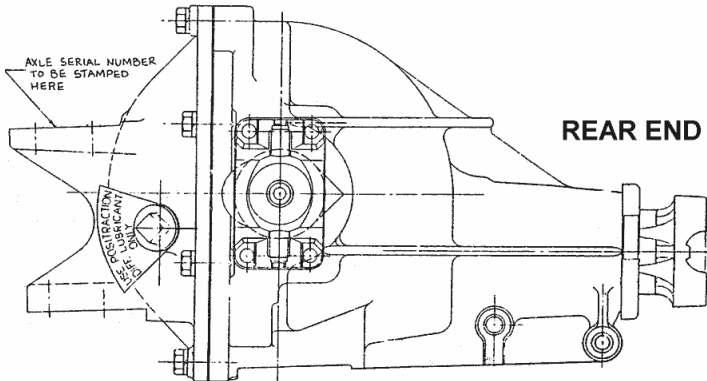


B3473 63-67 SCREW SET - radio side cover panels, (repl.) (4 pc.)4.15
 A7114 63-67 SPEAKER & TRANSFORMER33.65
 G0294 63-67 SPEAKER - 4' dual, pre-wired, replaces original unit completely for upgraded sound . 85.95
 S8017 63-67 STATIC COLLECTOR - inserts in front hub grease cap, (2 required, ea)16.55
 B7123 65-66 SWITCH ASSEMBLY - power antenna, w/chrome bezel & harness125.00
 B7135 63-67 WASHER SET - radio knob, felt material, (pr)1.00
 B7148 63-67 WIRE, PLUG & TERMINAL KIT - speaker17.60

S7205 63-67 BEARING - side yoke, (2 req.) (ea)15.95
 A7284 63-67 BOLT SET - ring gear to pinion (10 pc.)12.10
 B5232 63-67 CARRIER CASE - non posi, for ring gear assembly, 3 series, used75.00
 S7211 65-67 CLUTCH PACK - posi158.00
 S7212 65-67 CROSS PIN - posi unit33.30
 S7188 63-64 CRUSH COLLAR - all w/original course spline yoke11.00
 S7210 65-67 CRUSH COLLAR11.00
 S7306 63-67 DEFLECTOR - rear end front yoke10.95
 S7243 65-67 KIT - posi carrier internal components, used, spyder gears, plates, springs, pin, etc.89.95
 S7241 63-67 LUBRICANT - rear end, quart, (2 quarts req.) (ea.)5.00
 S7242 63-67 LUBRICANT ADDITIVE - posi-traction rear end fluid16.30
 S7213 63-67 NUT - pinion8.25
 S8209 63-64 POSI CARRIER ASSEMBLY - original 3 series, complete, used, guaranteed not to be cracked, w/o any other warranty195.00
 S7310 63-64 POSI CARRIER ASSEMBLY - original 4 series, complete, used, guaranteed not to be cracked, w/o any other warranty195.00
 S7297 63-67 POSI CARRIER/CASE - 3 series, 3:08 - 3:70 ratios / bare [63/4 replacement]424.95
 S7298 63-67 POSI CARRIER/CASE - 4 series, 4:11 & up ratios, bare/used [63/4 replacement]374.95
 S7220 63-67 RACE - pinion, inner9.65
 S7218 63-67 RACE - pinion, outer9.95
 S7222 63-67 RACE - rear, inner18.95
 S7216 63-67 RACE - side yoke, (2 req.)9.95

REAR END / DIFFERENTIAL - COMPLETE ASSEMBLIES, CASES, SIDE YOKES, COVERS & REBUILDING COMPONENTS

Cover & Related



S7277 63-67 BOLT & WASHER KIT - rear end cover mounting, 'double circle' headmark, (16 pc.) 10.25
 S7215 63-67 BOLT & WASHER KIT - rear end cover mounting, (16 pc.)7.00
 S7202 63-67 COVER - rear end, heavy duty104.95
NOTE: 1963-67 heavy duty rear end covers are reinforced to prevent cover breakage.
 B7286 63-64 COVER - rear end casting number 3830303, reconditioned w/correct fine thread drain plug provisionCALL
 B7280 63-67 COVER - rear end, used, recond., 63-64 repl.124.95
 S7204 63-67 GASKET - rear end cover4.95
 S7234 63-67 GASKET - rear end filler plug3.95
 S7232 63-67 PLUG - rear end cover filler, coarse thread . 19.95
 A8189 63-64 PLUG - rear end cover filler, fine thread ...7.20
 B2338 63-64 TAG - (round metal) 'Limited Slip' for rear end10.00
 B0013 65 TAG - red plastic, posi traction for rear end drain plug9.00
 B2339 66-67 TAG - rear end, posi-traction for drain plug, red plastic8.75

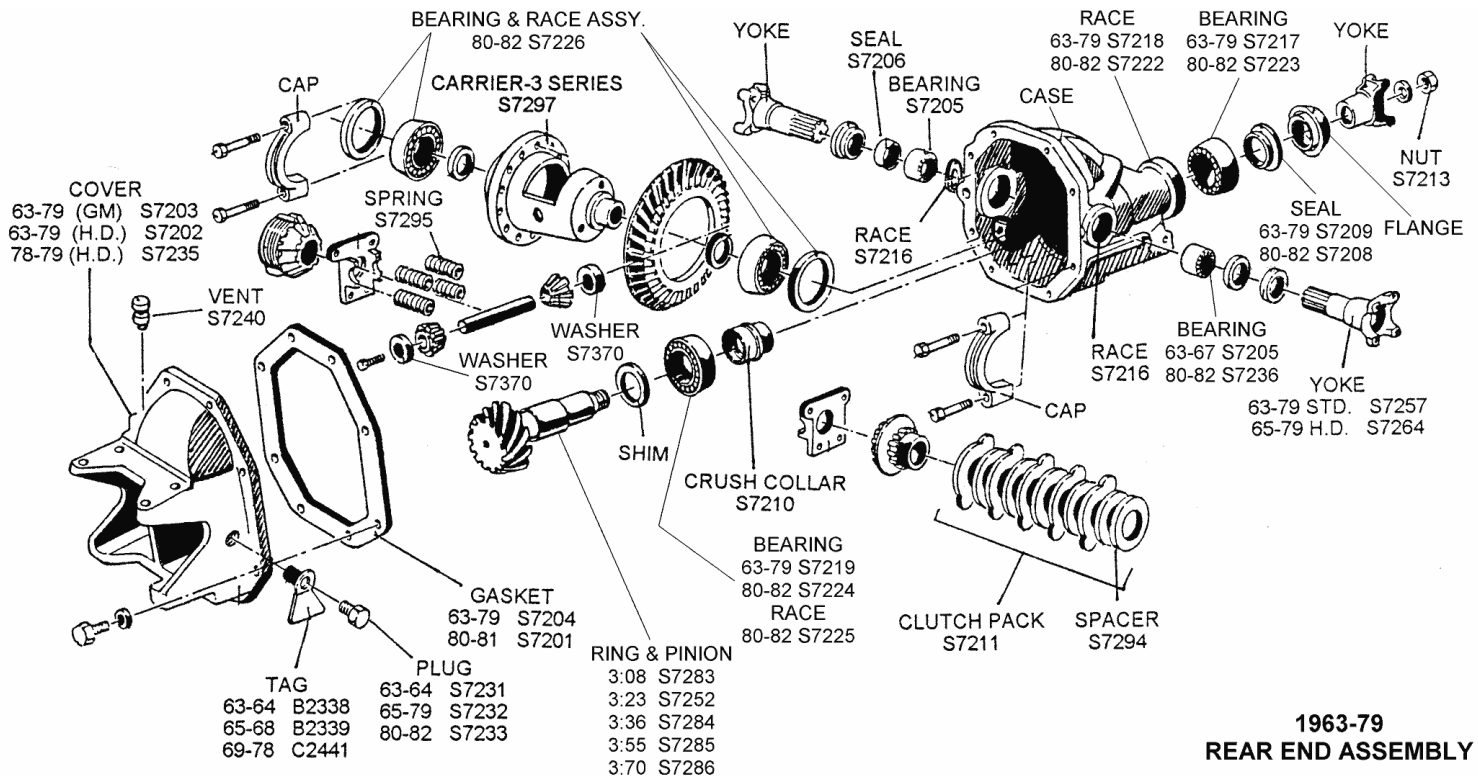
Rear End Components & Complete Rebuild Kits

A7218 63-67 BEARING - carrier, side, (2 req.) (ea)20.60
 S7219 63-67 BEARING - pinion, inner27.95
 S7217 63-67 BEARING - pinion, outer25.75
 S7221 63-67 BEARING - rear, inner15.95

1963-67 REAR END REBUILD KITS

S7239	63-64	REBUILD KIT		
S7214	65-67	REBUILD KIT		
S7219	63-67	BEARING - pinion, inner	1	1
S7217	63-67	BEARING - pinion, outer	1	1
S7205	63-67	BEARING - side yoke	2	2
A7218	63-67	BEARING - carrier, side	2	2
S7210	63-67	CRUSH COLLAR	1	
S7204	63-67	GASKET - rear end cover	1	1
S7241	63-67	LUBRICANT (grease) - rear end, quart	2	2
S7242	63-67	POSI-TRACTION ADDITIVE	1	1
S7211	65-67	POSI CLUTCH PACK	1	
S7220	63-67	RACE - pinion, inner	1	1
S7218	63-67	RACE - pinion, outer	1	1
S7216	63-67	RACE - carrier, side	2	2
S7209	63-67	SEAL - pinion, front	1	1
S7206	63-67	SEAL - side yoke	2	2

S7239 63-67 REBUILD KIT - non-posi rear end / bearings, races, seals & more - see chart159.95
 S7214 63-67 REBUILD KIT - posi rear end / bearings, races seals, posi pack & more - see chart -all 63/67 with fine spline yoke [not 63/4 with course spline]279.95
 S7315 65-67 REMANUFACTURING SERVICE - posi carrier case, oveled-out pin hole repaired, cracks in housing can not be repaired159.95
 S7293 65-67 SCREW & BOLT - posi carrier pin retainer ...16.45
 S7209 63-67 SEAL - pinion, front6.50
 S7206 63-67 SEAL - side yoke, (2 req.) (ea)7.95
 S7321 65-67 SHIM - posi carrier, internal, .0037.50
 S7322 65-67 SHIM - posi carrier, internal, .0076.90
 S7323 65-67 SHIM - posi carrier, internal, .0107.50
 S7383 63-67 SHIM KIT - rear differential, (.048-.054) ...15.65
 S7378 63-67 SHIM KIT - rear differential, (.064-.068) ...10.60
 S7379 63-67 SHIM KIT - rear differential, (.070-.074) ...12.25
 S7380 63-67 SHIM KIT - rear differential, (.076-.080) ...10.95
 S7381 63-67 SHIM KIT - rear differential, (.082-.086) ...12.20
 S7382 63-67 SHIM KIT - rear differential, (.088-.094) ...12.20
 S7320 63-67 SPACER - ring gear41.00
NOTE: Spacer S7320 allows installation of 4 series ring & pinion on 3 series carrier.
 S7294 64-67 SPACER/PLATE - posi clutch11.75
 S7295 64-67 SPRING - posi plate4.95
 S7372 63-64 TAG - rear end ID, metal, 3:087.45



**1963-79
REAR END ASSEMBLY**

S7373	63-64	TAG - rear end ID, metal, 3:36	7.45
S7374	63-64	TAG - rear end ID, metal, 3:55	7.45
S7375	63-64	TAG - rear end ID, metal, 3:70	7.45
S7376	63-64	TAG - rear end ID, metal, 4:11	7.45
S7377	63-64	TAG - rear end ID, metal, 4:56	7.70
B2338	63-64	TAG - rear end, 'Limited Slip' for round metal	10.00
B0013	65	TAG - red plastic, posi traction for rear end drain plug	9.00
B2339	66-67	TAG - rear end, posi-traction for drain plug, red plastic	8.75
S7355	63-64	VENT - differential, metal,	26.00
S7240	63-67	VENT - differential	5.90
S7370	63-67	WASHER - spyder gear in posi carrier, (2 req.) (ea)	11.50
S7318	63-64	YOKE - 3 27/32' diameter, front of differential, mount on pinion, coarse spline, original 1963/4 only, (recond.)	149.95
S7309	63-67	YOKE - 3 27/32' diameter, front of differential, mount on pinion, w/deflector, fine spline	99.00

Rear End Mounting

B6591	65-67	BOLT - rear end carrier mount bracket, 'TR' headmark	10.35
S8164	63-67	BOLT KIT - front end mount rear end to crossmember, (thru cushions)	4.15
S8100	63-67	BOLT KIT - rear crossmember cushion to frame	2.75
S8381	63-67	BOLT SET - rear crossmember to rear end cover, (4 pc.)	5.35
S7930	63E	BRACKET - differential front mount, (used, recond.)	130.00
S7931	63L-67	BRACKET - differential front mount, (used, recond.)	95.00
S7758	63-67	BUSHING SET - crossmember, above rear end, machined aluminum, for race use	229.90
S8102	63-67	BUSHING/CUSHION - crossmember above rear end	64.95
B0998	63-67	CROSSMEMBER - above rear end, recond. w/2 new with rubber cushions installed	325.00
S8162	63-67	CUSHION - lower front, rear end mount	13.20
S8163	63-67	CUSHION - upper front, rear end mount	13.90
S8384	63-67	CUSHION KIT - front end mount, (2 pc.), polyurethane	24.95
S7932	63-67	CUSHION KIT - rear end front bracket to frame (upper & lower cushion w/bolt & washer kit)	30.90
S8314	63-64	MOUNT KIT - front bracket to rear end, 'TR' hm, (6 pc.)	11.25
S8382	65-67	MOUNT KIT - front bracket, to rear end, (6 pc.)	20.75

Rear Ends: Restored / Remanufactured

There are no better rebuilt units available anywhere! Rebuilt rear differentials contain all new seals, bearings and posi clutch plates. Standard rebuild rear differentials contain original ring and pinions that are within manufacturer's specifications for new gears. Rear ends listed are priced without side yokes or rear end covers. One year warranty. All prices are exchange, core charge applies. Core charges are refundable upon return and examination of your core (used rear end). Full credit will only be issued if the case, ring & pinion, and posi carrier are reusable. Core credits will be reduced on rear ends with damaged components. 1963-64 original posi-clutch carriers are not serviceable. There is a \$225 charge to replace them with a 1965-79 style unit. When ordering rear ends with new ring and pinions, there is no additional charge if the rear end you are returning has a bad ring & pinion.

B7287	63-67	CASE - rear end, original, used, no date code preference	295.00
B7281	63	CASE - rear end, original, w/casting #3790614 & production dates & ratio code	CALL
NOTE: Over 200 cases available for 327/396/427 engines. All ratios.			
B7282	64	CASE - rear end, original, w/casting #3790614 & production dates & ratio code	CALL
B7283	65E	CASE - rear end, original, w/casting #3818753 & production dates & ratio code	CALL
B0464	65L	CORE - rear end, original, w/casting #3876476 & production dates & ratio code	CALL
B7284	66	CASE - rear end, original, w/casting #3876476 & production dates & ratio code	CALL
B7285	67	CASE - rear end, original, w/casting #3899143 & production dates & ratio code	CALL
NOTE: Over 200 cases available for 327/396/427 engines. All ratios.			
S7265	63-67	INSTALLATION/SERVICE KIT - (for remanufactured rear ends, includes lubricant, posi traction additive & rear cover gasket)	20.00
NOTE: We recommend that you order our Installation/Service Kit, S7265, with your rear end assembly.			
S7244	63-67	REAR END - 3:08 ratio - w/same ratio exchange	599.95
S7278	63-67	REAR END - 3:23 ratio, w/new ring & pinion installed - exchange w/any gear ratio trade in	874.95
S7246	63-67	REAR END - 3:36 ratio - w/same ratio exchange	549.95
S7201	63-67	REAR END - 3:36 ratio w/new ring & pinion installed - exchange w/any gear ratio trade in	874.95
S7245	63-67	REAR END - 3:55 ratio - w/same ratio exchange	549.95
S7249	63-67	REAR END - 3:55 ratio, w/new ring & pinion installed - exchange w/any gear ratio trade in	874.95
S7248	63-67	REAR END - 3:70 ratio - w/same ratio exchange	549.95
S7247	63-67	REAR END - 3:70 ratio, w/new ring & pinion installed - exchange w/any gear ratio trade in	874.95
S7250	63-67	REAR END - 4:11 ratio - w/same ratio exchange	549.95

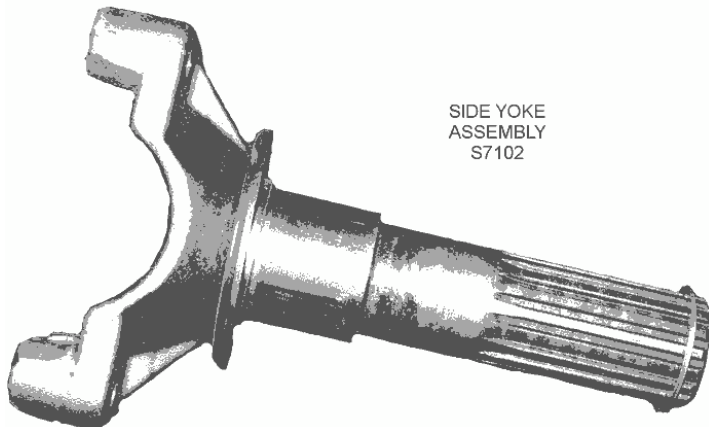
NOTE: If your rear end is sent to us in advance, your carrier will be used. If we send a unit out to you before receiving yours, a 3 series carrier & shim will be used with 4:11 gear. 1963-79 4:56, 4:88 and other low gear ratio rear ends are available - CALL!

S7251 63-67	REAR END - 4:11 ratio, w/new ring & pinion installed - exchange w/any gear ratio trade in & 4 series carrier	874.95
-------------	--	--------

Ring & Pinions

S7283 63-67	RING & PINION - 3:08 ratio (40:13 teeth) ...	394.95
S7228 63-67	RING & PINION - 3:08 ratio, used, guaranteed	135.00
S7252 63-67	RING & PINION - 3:23 ratio (42:13 teeth) ...	449.95
S7284 63-67	RING & PINION - 3:36 ratio	394.95
S7100 63-67	RING & PINION - 3:36 ratio, used, guaranteed	160.00
S7285 63-67	RING & PINION - 3:55 ratio (39:11 teeth) ...	394.95
S7175 63-67	RING & PINION - 3:55 ratio, used, guaranteed	150.00
S7286 63-67	RING & PINION - 3:70 ratio (37:10 teeth) ...	374.95
S7176 63-67	RING & PINION - 3:70 ratio, used	225.00
S7254 63-67	RING & PINION - 3:90 ratio (39:10 teeth) ...	374.95
S7287 63-67	RING & PINION - 4:11 ratio (37:95 teeth) ...	424.95
S7177 63-67	RING & PINION - 4:11 ratio, used	245.00
S7288 63-67	RING & PINION - 4:56 ratio, used	250.00
S7178 63-67	RING & PINION - 4:88 ratio, used	250.00

Side Yokes



SIDE YOKE ASSEMBLY S7102

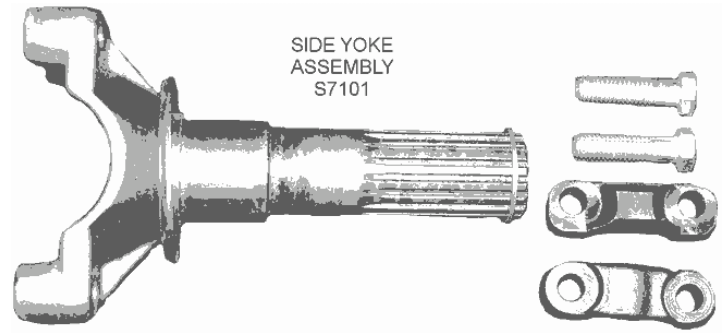
All side yokes make contact with the posi carrier pin. As the posi plates wear down, the pin makes more contact with the machined circular pattern on the end of the side yoke. The pattern disappears, as does the taper at the edge of the shaft. When this happens, the side yoke(s) must be replaced. In severe cases, the shaft can wear down to the retainer and fall out causing the "yoke" to float out (along with the half shafts).

S7104 63-67	BOLT - heavy duty yoke cap, (4 req.) (ea)	2.60
S7103 63-67	CAP/RETAINER - heavy duty side yoke, (2 req. per yoke) (ea)	22.95
S7106 63-67	DEFLECTER/SHIELD - side yoke, slides on yoke	3.75
A8327 63-67	PLIERS SET - install & remove internal & external snap rings, ideal for removal of side yokes	8.65
S7270 63-67	RETAINER/SNAP RING - side yoke, (2 req.) (ea)	1.00
S7257 63-67	SIDE YOKE - standard u-bolt type, reconditioned. (exch.)	86.50

NOTE: Reconditioned differential yokes have tool steel inserts pressed in to eliminate the typical wear problems. Differential yokes which have bent or twisted splines or U-joint cradles, or are heavily pitted, are not acceptable cores or exchanges.

S7262 63-67	SIDE YOKE - standard, used, (subject to availability)	109.95
S7263 63-67	SIDE YOKE - standard, u-bolt type	150.00
S7264 63-67	SIDE YOKE - heavy duty threaded cap type, reconditioned. (exch.)	89.95
S7102 63-67	SIDE YOKE - heavy duty	159.95

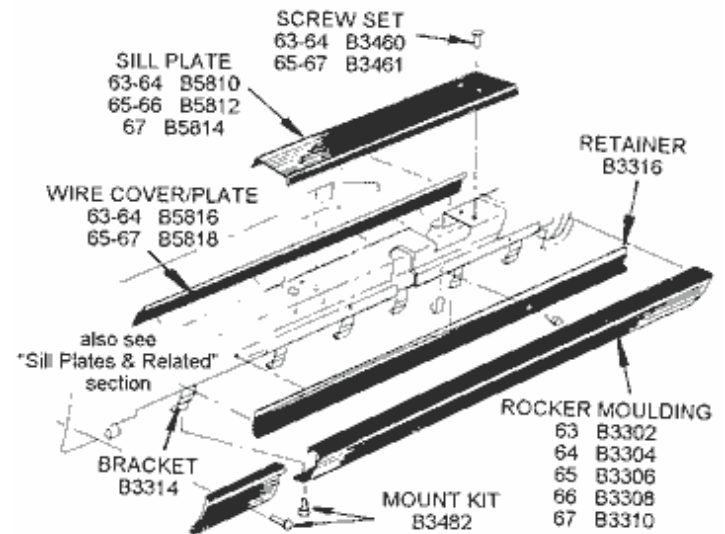
TECH TIP: Have you ever wondered why your yokes wear out or vibrate at high speed? It's because OEM rear end yokes weren't designed as durable as they needed to be. We have the answer. Our new heavy duty yokes are drop forged out of air craft grade steel for extra strength and are heat treated. They are machined to .001 tolerances that the General couldn't achieve. They are guaranteed for life!



SIDE YOKE ASSEMBLY S7101

S7101 63-67	SIDE YOKE KIT - heavy duty yoke with 2 heavy duty caps, 4 bolts, and snap ring, (1 needed for each side)	205.25
S8166 63-67	STRAP/BOLT SET - drive shaft U-joint retainer, pr	10.35

ROCKER PANEL MOLDINGS & RETAINERS



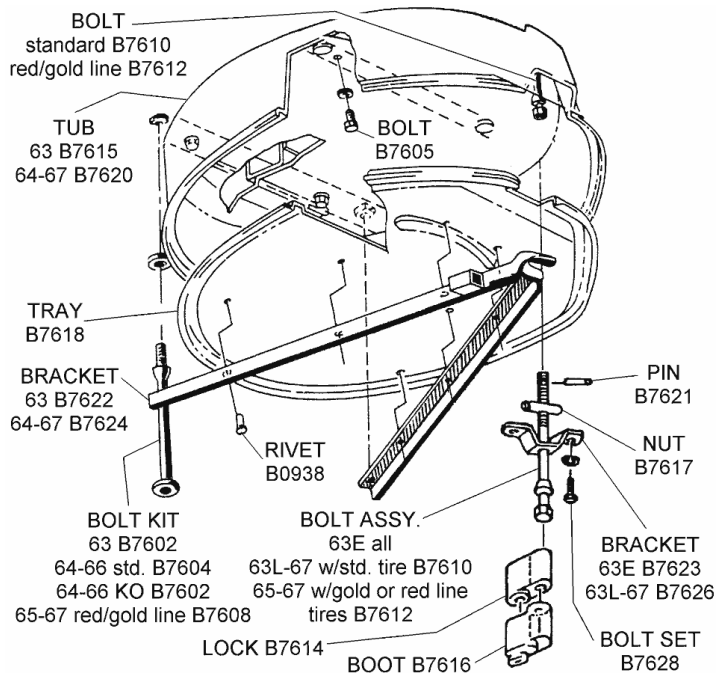
B3370 63-65	BRACKET - front side rocker panel support, welds to rocker sill, LH	15.75
B3371 63-65	BRACKET - front side rocker panel support, welds to rocker sill, RH	15.75
B3340 63-65	BRACKET - rocker molding mount / welds to sill, 10 required, each	98.85
B3314 66-67	BRACKET - rocker molding mount / welds to sill, 6 required, each	15.75
B3312 63-67	BRACKET SET - front rocker molding mount, rivets to rocker tip, (pr)	18.45
B8579 63-67	FENDER TIP - lower front for converting back from side exhaust (white/gray/black/spec) PM, RH	55.00
B8578 63-67	FENDER TIP - lower front, for converting back from side exhaust (white/gray/black/spec) PM, LH	55.00
B3302 63	MOLDING - rocker panel, (2 req. ea)	162.95
B3304 64	MOLDING - rocker panel, (2 req. ea)	163.45
B3306 65	MOLDING - rocker panel, (2 req. ea)	163.45
B3308 66	MOLDING - rocker panel, (2 req. ea)	162.95
B3310 67	MOLDING - rocker panel, (2 req. ea)	162.95
B3249 63-67	MOLDING - rocker panel, above side exhaust cover	249.95
B3380 63-67	NUT - lower rocker molding, (63-65 14 req., 66-67 8 req.)	1.00
B3381 63-67	NUT SET - rocker molding retainer, 'U' shape, (12 pc.)	9.35
B3378 64-67	PLUG - under door sill, coupe	2.10
B0565 63-67	RETAINER - rocker molding	22.40
B3382 63-67	RIVET SET - front rocker molding mount bracket, (4 pc.)	1.30
B3482 63-67	SCREW & NUT KIT - rocker panel moldings, (repl. screws 32 pc.)	11.30
B3383 63-67	SCREW & NUT SET - rocker molding end, (8 pc.)	3.45
B3360 63-64	SCREW KIT - rocker molding, lower, correct headmark w/attached washer, (14 pc.)	9.95
B3362 66-67	SCREW KIT - rocker molding, lower, correct headmark w/attached washer, (8 pc.)	5.95



B7320	64-67	LINKAGE KIT - 4 speed shifter rods, (Muncie transmission)	69.95
B7360	63	LINKAGE KIT - auto shifter rod	40.20
B7368	64	LINKAGE KIT - auto shifter rods	33.85
B7335	64-67	MAIN SHAFT - 4 speed shifter	96.45
B7336	64-67	NUT - shifter rod	1.00
B1961	64-67	NUT PLATE - w/rivets, shift boot retainer under tunnel	21.95
B7356	64-67	NUT SET - 4 speed shifter lever on transmission, (3 pc.)	1.00
B7314	64-67	PIN - 4 speed shifter shaft	7.60
B7311	64-67	PIN - lockout, 4 speed reverse	5.15
B1923	64-67	PLATE - 3 speed trans. shifter indicator	8.25
B1955	63	PLATE - 4 speed trans. shifter indicator	12.00
B7357	64-67	REPAIR KIT - minor, 4 speed shifter, w/knob, 'T' handle & rod, bushing & spring ..	48.75
B7359	64-67	REPAIR KIT - major, 4 speed shifter	66.15
B7389	64-67	RETAINER - shifter lever pin, 3 or 4 speed ..	3.55
B7330	64-67	ROD - 4 speed shifter reverse lockout	6.00
B7378	65-67	ROD - auto shifter linkage kit	33.85
B7394	65-67	SCREW SET - automatic shifter mounting, (3 pc.)	3.25
B7393	65-67	SCREW SET - neutral safety switch, (pr)	1.25
B7391	65-67	SCREW SET - shifter boot retainer, (11 pc.) ..	11.00
B7309	64-67	SHAFT - 4 speed pivot	7.85
B7300	64-67	SHAFT - main shifter chrome	136.25
A7360	63	SHIFTER - 3 speed w/knob	289.00
B7348	64-67	SHIFTER - 3 speed w/knob	269.95
B7302	63	SHIFTER - 4 speed w/knob	433.30
B7316	64-67	SHIFTER - 4 speed w/knob	219.00
B7358	63	SHIFTER - auto w/knob	311.35
B7366	64	SHIFTER - auto	349.95
B7372	65-67	SHIFTER - auto	419.95
B3796	63	SHIFTER ASSEMBLY - with linkage, Hurst shifter w/ 1963 stock design shifter handle ..	439.00
B3797	63	SHIFTER ASSEMBLY - with linkage, Hurst shifter w/ 1963 stock design shifter handle, all 63-67 Muncie trans	439.00
B3799	64-67	SHIFTER ASSEMBLY - with linkage, Hurst shifter w/1964-67 stock design handle	439.00
B3798	64-67	SHIFTER ASSEMBLY - with linkage, Hurst shifter w/1964-67 stock design handle, for all 63-67 Muncie trans	439.00
A7320	63	SPRING - anti-rattle, 4 speed shifter	6.75
B7375	65-67	SPRING - auto shifter knob push button	3.05
B7332	64-67	SPRING - reverse lock-out handle, 4 speed shifter	6.00
B7303	65-67	SWITCH - neutral safety, back up light, automatic transmission	200.95
B7338	64-67	SWIVEL - 4 speed shifter, reverse, long	5.75
B7337	64-67	SWIVEL - 4 speed shifter, rod, (3rd & 4th) ..	5.95
B7323	64-67	WASHER - 4 speed shifter, pivot shaft	1.00

1963-67 SPARE TIRE CARRIER ASSEMBLIES					
B7629	63E	ASSEMBLY			
B7630	63L	ASSEMBLY			
B7631	64-67	ASSEMBLY - w/standard tire & wheel			
B7632	64-67	ASSEMBLY - w/gold or red line tire			
B7633	65-66	ASSEMBLY - w/K.O. wheels			
B7606	65E	BOLT - locking, w/bracket			1
B7610	63L-67	BOLT - locking, w/bracket	1	1	1
B7612	65-67	BOLT - locking, w/bracket	1		
B7602	63-67	BOLT KIT - front	1		1 1
B7604	64	BOLT KIT - front		1	
B7608	65-67	BOLT KIT - front		1	
B7605	65-67	BOLT KIT - tube to body	1	1	1 1 1
B7628	63-67	BOLT SET - lock bolt bracket	1	1	1 1 1
B7622	63	BRACKET - cover, "U" shape			1 1
B7624	64-67	BRACKET - cover, "U" shape	1	1	1
B7618	63-67	TRAY	1	1	1 1 1
B7615	63	TUB			1 1
B7620	64-67	TUB	1	1	1

SPARE TIRE CARRIER COMPONENTS & KITS



B7607	63E	BOLT - tire lock, rear	26.00
B7609	63L-67	BOLT - tire lock, w/o gold or red line tires	32.60
B7611	65-67	BOLT - tire lock, w/gold or red line tires ..	19.00
B7612	65-67	BOLT ASSEMBLY - rear carrier lock bolt assembly w/bracket, gold or red line tires ..	44.95
B7610	63L-67	BOLT ASSEMBLY - rear carrier lock bolt w/bracket, w/standard tire	76.05
B7606	63E	BOLT ASSEMBLY - rear tire carrier lock w/bracket	41.40
B7608	65-67	BOLT KIT - front carrier bolt, w/red or gold line tires 10 1/4 long, (pr)	72.45
B7605	63-67	BOLT KIT - spare tire tub to body, (8 pc.) ..	4.10
B7602	65-67	BOLT KIT - standard, front tire carrier w/K.O. wheels, 9 5/8 long, w/o gold lines, (pr)	72.45
B7604	64-66	BOLT KIT - standard, front tire carrier, 9 1/4 long, (pr)	59.95
B7628	63-67	BOLT SET - spare tire lock bracket, (pr)	3.95
B7616	63-67	BOOT - spare tire lock	8.95
B7622	63	BRACKET - spare tire cover, 'V' shape	67.00
B7624	64-67	BRACKET - spare tire cover, 'V' shape	75.00
B7623	63E	BRACKET - tire lock bolt	12.85
B7626	63L-67	BRACKET - tire lock bolt	10.50
B7613	63	BUMPER - tire lock, (before March '63)	3.50
B6105	63-67	LOCK RE-KEYING - spare tire, to your current door lock, send us your original key or code & we will get a new spare tire lock keyed to match, (includes 2 keys)	58.95
B6130	63-67	LOCK - spare tire, w/69-82 oval style key/replacement	44.85
B0465	63-67	LOCK - spare tire, GM w/original type key ..	65.95
B0466	64-66	LOCK - spare tire, w/correct face and keys ..	79.95
B7625	63-67	LOCK WASHER SET - spare tire carrier front bolts, (2 pc.)	1.00
B7617	63-67	NUT - lock bolt, barrel type	4.95
B7621	63-67	PIN - lock bolt	1.00
B0938	63-67	RIVET SET - large head aluminum, attaches spare tire tray to 'Y' bracket, (50 pc.)	6.05
B7600	63-67	SOCKET - spare tire carrier bolt	34.95
B7629	63E	SPARE TIRE CARRIER ASSEMBLY COMPLETE - see chart for details	459.95
B7630	63L	SPARE TIRE CARRIER ASSEMBLY COMPLETE - see chart for details	459.95
B7631	64-67	SPARE TIRE CARRIER ASSEMBLY COMPLETE - w/standard white wall tires & steel rims - see chart for details	470.00
B7633	64-67	SPARE TIRE CARRIER ASSEMBLY COMPLETE - w/knock off or bolt on wheels - see chart for details	459.95
B7632	65-67	SPARE TIRE CARRIER ASSEMBLY COMPLETE - w/red or gold line tires & steel wheels - see chart for details	459.95

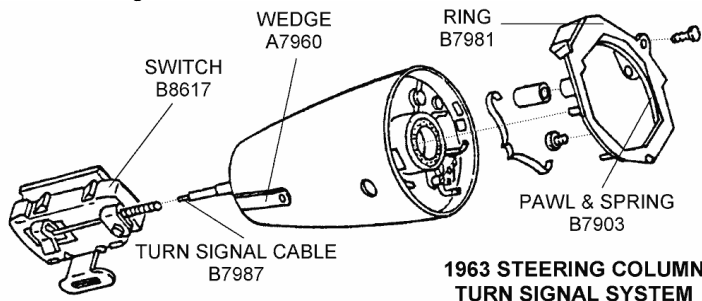
B7618	63-67	TRAY - lower spare tire carrier	174.95
B7615	63	TUB - upper spare tire carrier	259.95
B7620	64-67	TUB - upper spare tire carrier	259.95

STEERING COLUMN

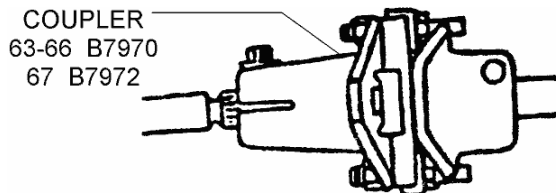
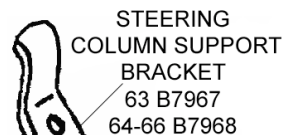
1963 Steering Column

B8035	63	BELL - steering column turn signal assembly housing, (used)	125.00
B7913	63	BEARING - upper steering column	25.55
B8311	63	BOLT - steering column coupler, star head ...	8.50
B7967	63	BRACKET - steering column mount, under dash ..	26.35
B7950	63	BRUSH - horn brush contact	15.65
B7936	63	BUTTON - horn	65.80
B7987	63	CABLE - turn signal housing to switch	19.35
B7956	63	CAM - turn signal canceling	14.25
B7154	63	CAPACITOR - on turn signal switch, between flasher & fuse block	27.00
B7932	63	CLAMP - lower steering column bearing spring	14.65
B8025	63	COLLAR - steering column at dash	87.95
B8023	63	COLUMN ASSEMBLY - steering, restored	950.00
B7910	63	CLAMP W/SCREW - steering column/on firewall ..	10.90
B7944	63	CONTACT - horn	20.70
B7891	63	COUPLER/RAG JOINT - w / ground strap, lower steering column	120.00
B7970	63	COUPLER/RAG JOINT RESTORATION - lower steering column, w/ground strap as original / YOUR COUPLER MUST BE SENT IN IN ADVANCE	215.55
B9807	63	COUPLER REPAIR KIT - w/rubber connector, limit bolts & fasteners	12.95
B7922	63	HOUSING/ADAPTER - lower steering column bearing	11.10
B7969	63	FASTENER KIT - steering column mount bracket	2.95
B8030	63	HUB - steering wheel, (pre-owned)	129.95
B7962	63	LEVER/HANDLE - turn signal	22.00
A7962	63	NUT - steering wheel hub mount	12.15
B7903	63	PAWL & SPRING - turn signal canceling ring ..	24.10
A8312	63	PULLER - steering wheel hub	20.50
B7928	63	REBUILD KIT - lower steering column, includes bearing, spring and stainless washer ..	31.25
B7906	63	RETAINER - upper steering column mast jacket	18.65
B7981	63	RING - w/pawl & spring, turn signal canceling, (aluminum)	70.85
B8051	63	ROLLER - turn signal	5.80
B8037	63	SCREW & NUT SET - steering column mounting bracket, (4 pc.)	2.00
A7979	63	RIVET SET - horn contact, plastic, (3 pc.) ...	2.50
B9820	63	STAR BOLT - lower steering column coupler ...	7.40
B8033	63	SCREW - steering column clamp at firewall, w/flat washer	2.10
B8050	63	SCREW - turn signal cable mounting	1.00
B7983	63	SCREW - turn signal canceling ring pivot	9.35
B3416	63	SCREW SET - steering column collar at dash, (2 pc.)	2.65
B8055	63	SCREW SET - steering column support bracket at firewall, (2 pc.)	1.80
B7912	63	SCREW SET- horn contact, (6 pc.)	3.45
B8052	63	SCREW SET - turn signal switch mounting, (2 pc.)	1.00
B2930	63	SEAL - steering column at firewall	5.80
B7908	63	SHAFT - steering column	104.35
B7955	63	SLEEVE - turn signal ring	8.75
B7926	63	SPRING - lower steering column shaft	7.10
B7985	63	SPRING - turn signal roller, 'W' shape	15.50
B7971	63	SUPPORT - steering column and odometer cable, under dash	23.35
B7128	63	TUBE - steering column	63.25
B7930	63	WASHER - lower steering column bearing	3.75
A7960	63	WEDGE - turn signal housing lock, w/screw ...	9.00

1964 66 Steering column Non Teli



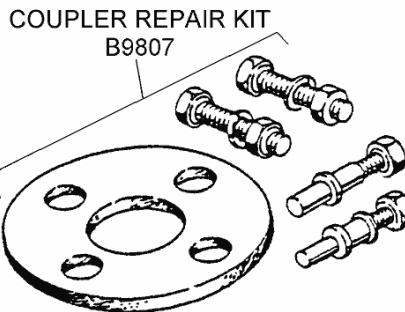
1963 STEERING COLUMN TURN SIGNAL SYSTEM



B8053	64-66	'O' RING - turn signal actuator plate	1.00
B7975	64-66	'U' BOLT & NUTS - steering column, under dash	22.60
B7989	64-64	ACTUATOR/PLATE - turn signal switch	8.25
B7918	64-66	BEARING - lower steering column	29.95
B7916	64-66	BEARING - upper steering column	28.95
B7125	64-66	BELL - steering column turn signal assembly housing, (used)	90.00
B8311	64-66	BOLT - steering column coupler, star head ...	8.50
B7968	64-66	BRACKET - steering column mount, under dash ..	26.35

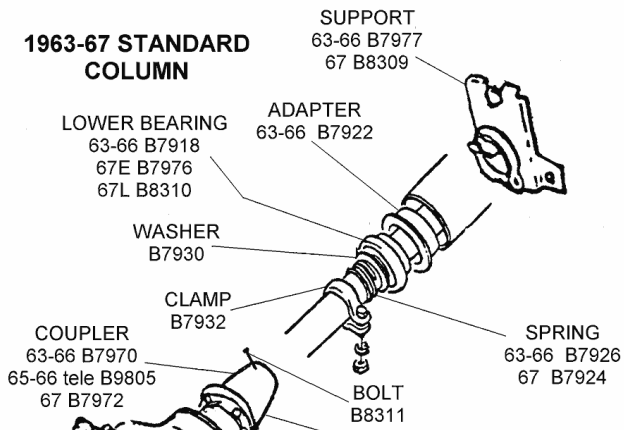


B7950	64-66	BRUSH - horn brush contact	15.65
B7936	64	BUTTON - horn	65.80
B7938	65-66	BUTTON - horn	67.75
B7958	64-66	CAM - turn signal canceling	16.75
B7154	64-66	CAPACITOR - on turn signal switch, between flasher & fuse block	27.00
B7932	64-66	CLAMP - lower steering column bearing spring	14.65
B7910	64-66	CLAMP W/SCREW - steering column/on firewall ..	10.90
B7907	64-66	COLLAR - steering column at dash	86.25
B7901	64-66	COLUMN ASSEMBLY - steering, restored	895.00
B7944	64-66	CONTACT - horn, (except tele)	20.70
B7891	64-66	COUPLER/RAG JOINT - w / ground strap, lower steering column	120.00

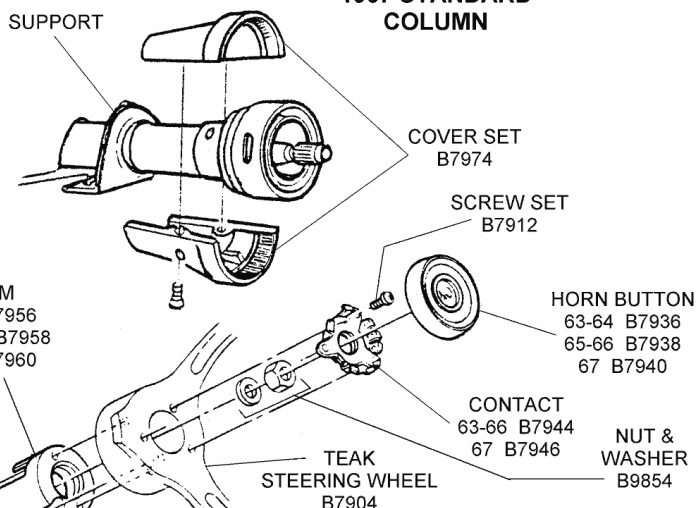


B9807	64-66	COUPLER REPAIR KIT - w/rubber connector, limit bolts & fasteners	12.95
B7970	64-66	COUPLER/RAG JOINT RESTORATION - lower steering column, w/ground strap as original / core must be sent in in advance	215.55
B7942	65-66	EMBLEM - horn button	12.75
B7969	64-66	FASTENER KIT - steering column mount bracket	2.95
B7922	64-66	HOUSING/ADAPTER - lower steering column bearing	11.10
B8030	64-66	HUB - steering wheel, (pre-owned)	129.95
B8028	64-64	INSULATOR & RETAINER SET - steering column collar	13.00
B7964	64-66	LEVER/HANDLE - turn signal	21.85
B7933	65-66	LINER - tele horn button, (between emblem & backing ring)	13.40
A7962	64-66	NUT - steering wheel hub mount	12.15
B8032	64-66	PLATE - turn signal (non-tele) switch repair, plastic	11.85
B9853	64-66	PROTECTOR/SHIELD - turn signal wire, incl. clip kit	26.50
A8312	64-66	PULLER - steering wheel hub	20.50
B7928	64-66	REBUILD KIT - lower steering column, (w/o telescoping column) includes bearing, spring and stainless washer	31.25

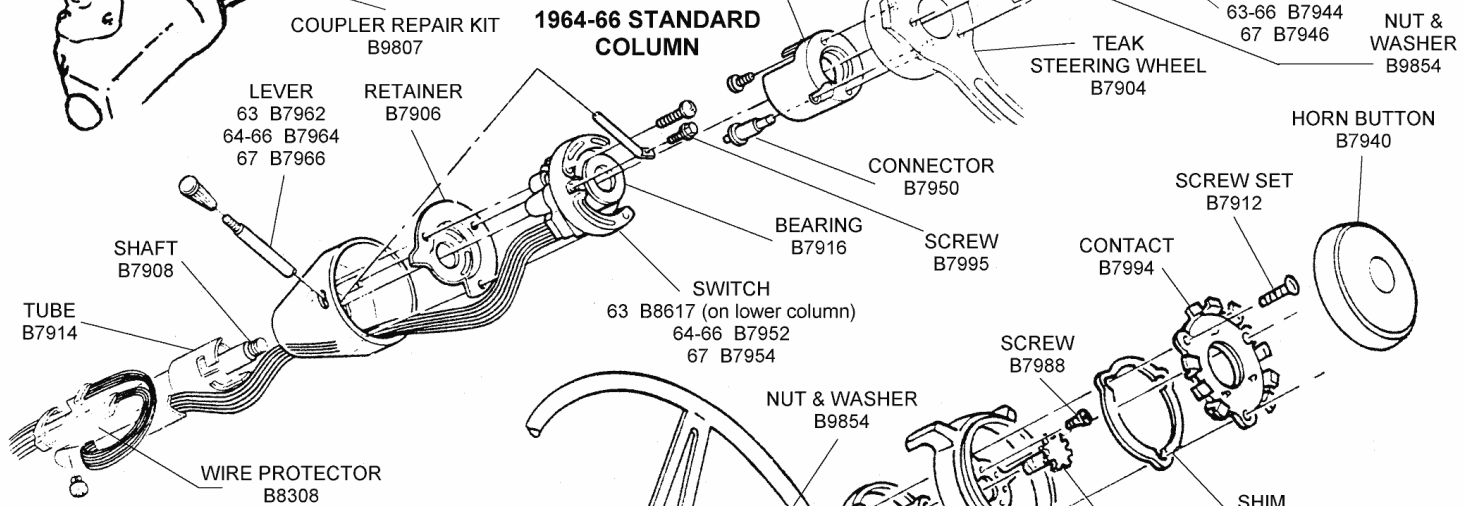
1963-67 STANDARD COLUMN



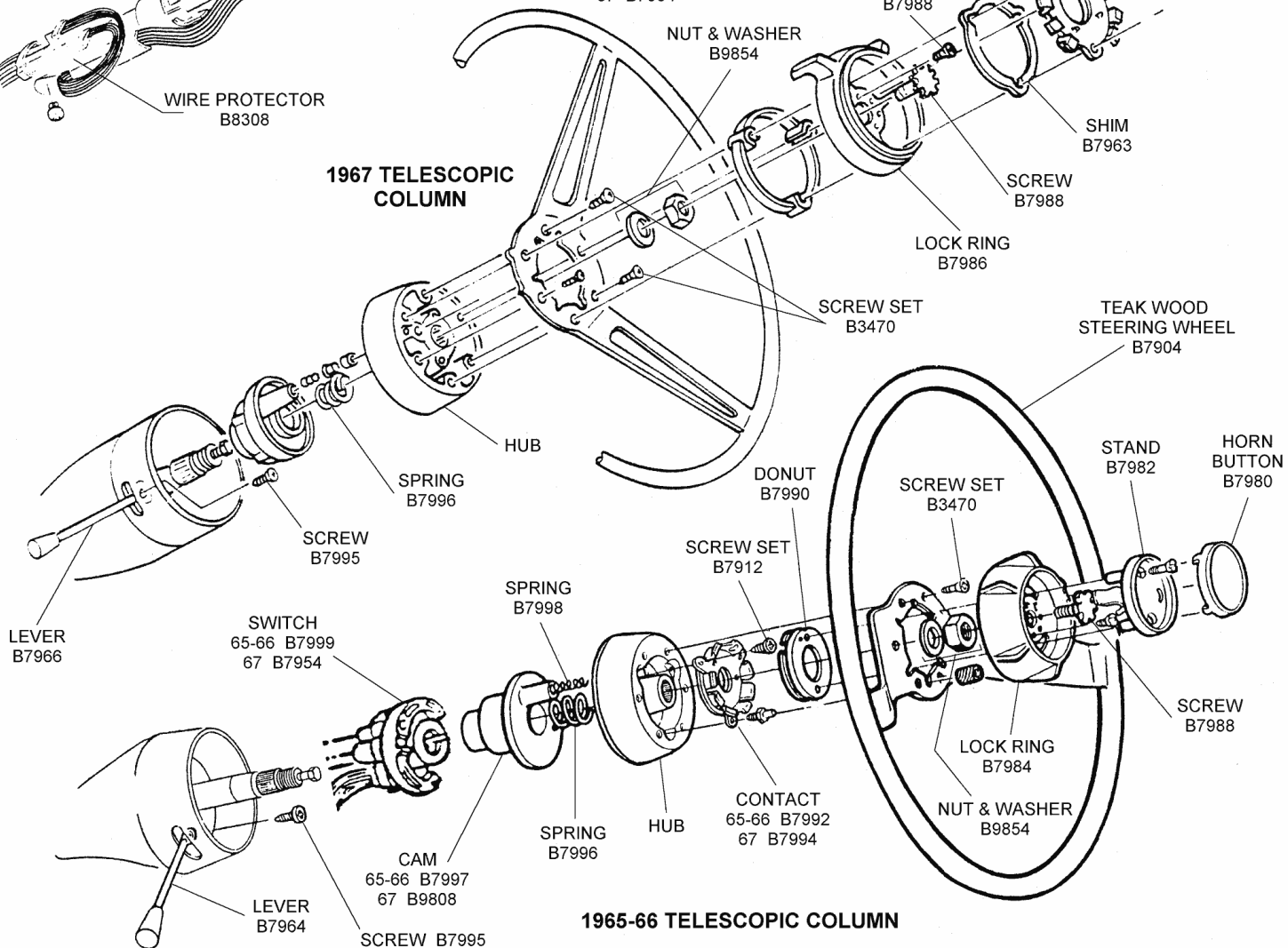
1967 STANDARD COLUMN



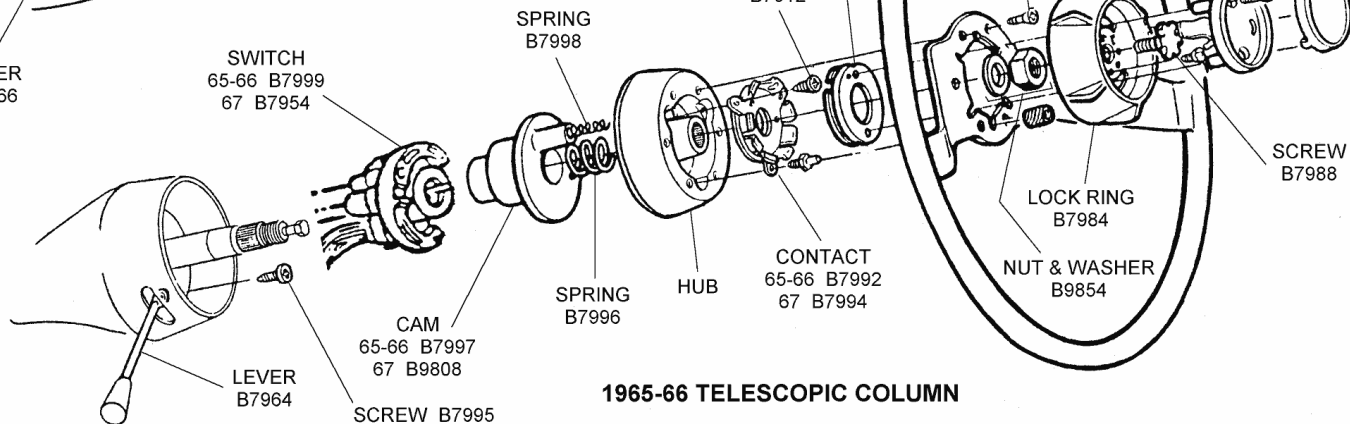
1964-66 STANDARD COLUMN



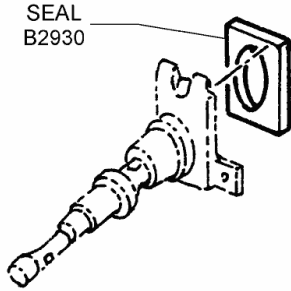
1967 TELESCOPIC COLUMN



1965-66 TELESCOPIC COLUMN

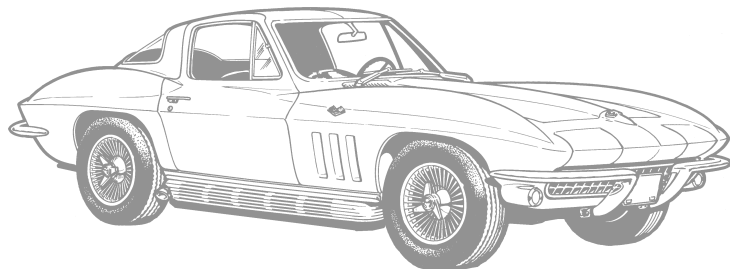
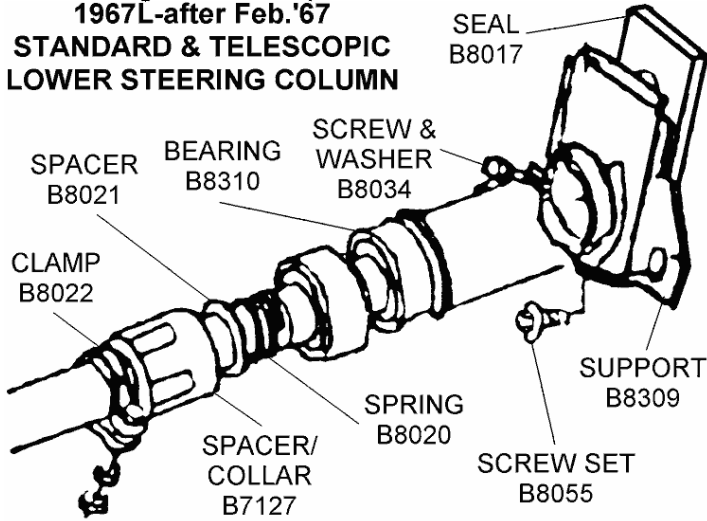


- B7906 64-66 RETAINER - upper steering column mast jacket18.65
- A7979 64-66 RIVET SET - horn contact, plastic, (3 pc.) ...2.50
- B8054 64-66 SCREW & LOCK WASHER KIT - turn signal canceling cam, (4 pc.)1.75
- B8037 63-66 SCREW & NUT SET - steering column mounting bracket, (4 pc.)2.00
- B8033 63-66 SCREW - steering column clamp at firewall, w/flat washer2.10
- B7995 64-66 SCREW - turn signal lever mounting1.00
- B3416 64-66 SCREW SET - steering column collar at dash, (2 pc.)2.65
- B8055 64-66 SCREW SET - steering column support bracket at firewall, (2 pc.)1.80
- B3470 64-66 SCREW SET - steering wheel mounting, (6 pc.) .3.95
- B9852 64-66 SCREW SET - turn signal switch mounting3.00
- B7912 64-66 SCREW SET- horn contact, (6 pc.)3.45

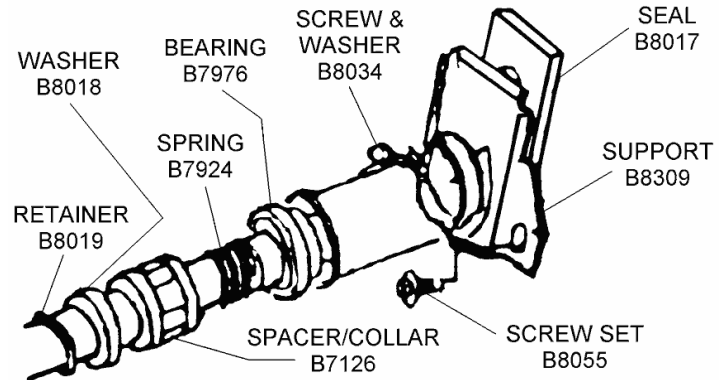


- B2930 64-66 SEAL - steering column at firewall5.80
- B7908 63-66 SHAFT - steering column104.35
- B7926 63-66 SPRING - lower steering column shaft7.10
- B9820 64-66 STAR BOLT - lower steering column coupler7.40
- B7904 65-66 STEERING WHEEL - teak wood649.00
- B9862 64-66 STEERING WHEEL - wood grained plastic, original, mint condition495.00
- B7973 64-66 SUPPORT - steering column and odometer cable, under dash23.35
- B7977 64-66 SUPPORT - steering column on firewall19.75
- B7952 64-66 SWITCH - turn signal, w/harness, W/O TELE .83.10
- B7914 64-66 TUBE - steering column72.45
- B7930 64-66 WASHER - lower steering column bearing3.75
- B8308 64-66 WIRE PROTECTOR - turn signal wiring, w/clip .26.45

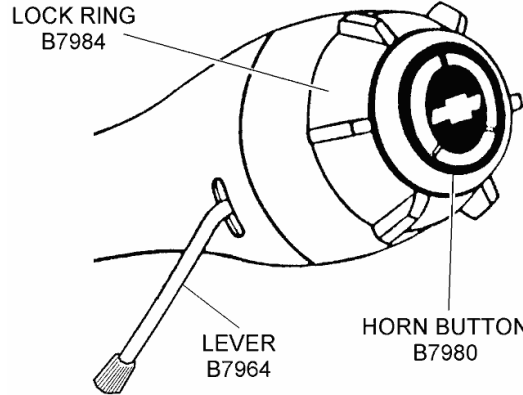
**1965-67 Steering Column Telescopic
1967L-after Feb.'67
STANDARD & TELESCOPIC
LOWER STEERING COLUMN**



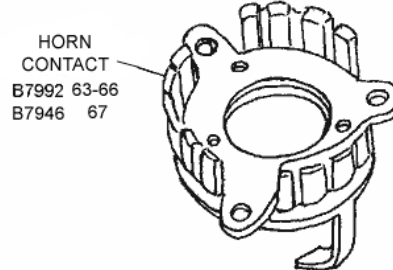
**1967E-Feb. '67 STANDARD & TELESCOPIC
LOWER STEERING COLUMN**



- B7905 65-66 BEARING - steering column, lower or upper ...75.00
- B7976 67E BEARING - steering column, lower, stepped design48.30
- B8310 67L BEARING - steering column, lower, 2nd design31.00
- B7857 65-66 BEARING - support reinforcement, tele turn signal switch14.15
- B9855 67 BEARING - upper steering column66.70
- B8311 65-67 BOLT - steering column coupler, star head8.50
- B7947 65-66 BOLT - steering column stop, brass, w/star washer kit7.35
- B0467 65-67 BOLT SET - steering column support1.95
- B9856 65-66 BRACKET - steering column mount32.95
- B8309 65-67 BRACKET/SUPPORT W/CLAMP - steering col. & screws at firewall31.25
- B7855 65-66 BUMPER - telescopic column stop pin1.00

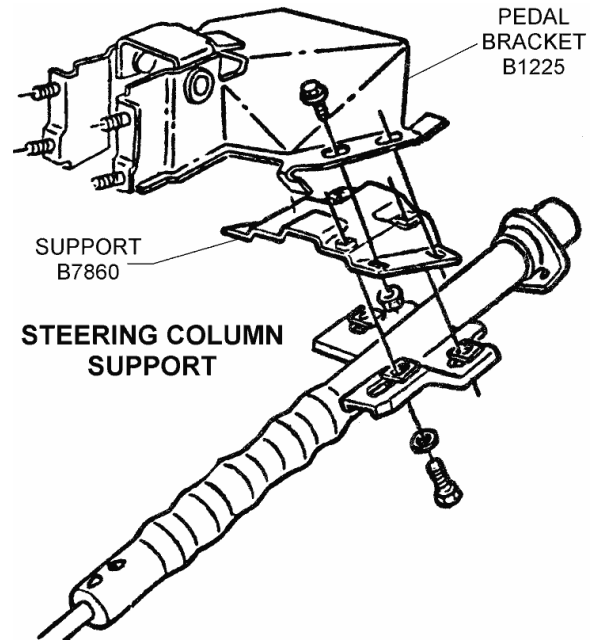


- B7980 65-66 BUTTON - horn71.50
- B7940 67 BUTTON - horn51.00
- B7997 65-66 CAM - turn signal canceling25.75
- B9808 67 CAM - turn signal canceling, w/telescopic ...30.70
- B7856 65-66 CAP - lower steering column bearing retainer, w/screw15.75
- B7154 65-67 CAPACITOR - on turn signal switch between flasher & fuse block27.00
- B8022 67L CLAMP - lower steering column shaft spring .11.50
- B7910 65-66 CLAMP W/SCREW - steering column/on firewall .10.90
- B9806 65-66 CLIP - bearing, upper or lower, 3/4", (3 req.) (ea)2.25
- B7907 65-66 COLLAR - steering column at dash86.25
- B8029 67 COLLAR - steering column at dash62.50



- B7992 65-66 CONTACT - horn & horn button retainer17.95
- B7994 67 CONTACT - horn & horn button retainer22.35
- B7889 65-66 COUPLER/RAG JOINT - lower steering column, w/flange & ground120.00
- B7972 67 COUPLER/RAG JOINT - lower steering column, w/flange130.00
- B9807 65-67 COUPLER/RAG JOINT REPAIR KIT - w/rubber connector, limit bolts & fasteners12.95
- B7974 67 COVER SET - upper steering column, black plastic, (2 pc.)59.95

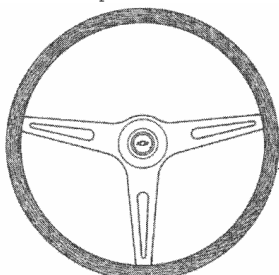
B7969	65-66	FASTENER KIT - steering column mount bracket	.2.95
B9802	65-66	FELT - lower bearing	2.75
B7922	65-66	HOUSING/ADAPTER - lower steering column bearing	11.10
B8041	65-66	HUB - steering wheel, (w/ telescopic)	110.00
B8031	67	HUB - steering wheel	59.95
B8028	65-67	INSULATOR & RETAINER SET - steering column collar	13.00
B8306	67E	KNOB/BUTTON - traffic hazard flasher on steering column, long chrome, word 'flasher' on side, (thru serial #9000)	18.65
B8307	67L	KNOB/BUTTON - traffic hazard flasher on steering column, short chrome, word 'flasher' on end, (after serial #9000)	20.45
B7964	65-66	LEVER/HANDLE - turn signal	21.85
B7966	67	LEVER/HANDLE - turn signal	22.00
B7933	65-66	LINER - telescopic horn button, (between emblem & backing ring)	13.40
B7984	65-66	LOCK RING - telescopic column, chrome	61.85
B7986	67	LOCK RING - telescopic column, chrome	63.70
B9854	65-67	NUT & WASHER KIT - steering wheel hub mount	1.95
B7937	65-66	PIN - telescopic stop	8.80
B9851	65-66	PLATE - turn signal activating	11.25
B8133	65-66	PLATE - turn signal switch (tele) repair, plastic	14.70
B7931	65-67	RETAINER - horn button emblem	6.95
B8019	67E	RETAINER - lower steering column shaft, one inch 'O' clip	3.00
A7979	65-67	RIVET SET - horn contact, plastic, (3 pc.)	2.50
B9803	65-66	ROD - telescopic stop	5.85
B7858	67	ROD - telescopic stop	7.00
B8054	65-67	SCREW & LOCK WASHER KIT - turn signal canceling cam, (4 pc.)	1.75
B8039	65-66	SCREW & NUT SET - telescopic column bracket mounting	3.65
B7988	65-67	SCREW - lock ring, star shaped	35.45
B0469	67	SCREW SET - horn contact, (3 pc.)	1.90
B7935	65-66	SCREW SET - star wheel retaining, (pr)	1.50
B3416	65-67	SCREW SET - steering column collar at dash, (2 pc.)	2.65
B3470	65-66	SCREW SET - steering wheel mounting, (6 pc.)	3.95
B7943	65-66	SCREW SET - telescopic column horn button stand, (2 pc.)	1.00
B8036	67	SCREW SET - upper steering column cover, (2 pc.)	1.20
B8017	67	SEAL - steering mast, lower support	5.20
B7963	67	SHIM - horn button	5.00
B8021	67L	SPACER - lower steering column shaft spring	4.50
B7126	67E	SPACER/COLLAR - lower steering column, plastic	29.35
B7127	67L	SPACER/COLLAR - lower steering column, plastic	52.00
B7875	67	SPACER - tele lock ring	19.95
B7998	65-67	SPRING - horn contact, (telescopic)	5.20
B7941	65-66	SPRING - lower column	12.00
B7924	67E	SPRING - lower steering column shaft	6.65
B8020	67L	SPRING - lower steering column shaft	5.00
B7996	65-67	SPRING - upper steering column	6.60
B7982	65-66	STAND - horn button	13.15
B7990	65-66	STAND - horn button, donut shape	26.85
B7920	65-66	STEERING COLUMN ASSEMBLY - telescopic, restored to like new condition w/new lock ring and horn button	CALL
B7961	67	STEERING COLUMN ASSEMBLY - telescopic, restored to like new condition, w/new lock ring and horn button	CALL
B7904	65-66	STEERING WHEEL - teak wood	649.00
B7899	67	STEERING COLUMN - tilt/teli/custom, milled aluminum finish	675.00
B9862	65-66	STEERING WHEEL - wood grained plastic, original, excellant condition/call for description	495.00



B7860	67	SUPPORT - steering column under dash, mounts to brake pedal support	345.00
B7999	65-66	SWITCH - turn signal, w/harness, (w/ telescopic)	162.45
B7954	67	SWITCH - turn signal, w/harness	CALL
B7859	65-66	TUBE - steering column w/ telescopic, w/cap	82.40
B9801	65-66	WASHER - lower bearing	6.60
B8018	67E	WASHER - lower steering column shaft retainer	5.00

1967 Steering Column - Non Teli

B7989	67	ACTUATOR/PLATE - turn signal switch	8.25
B7976	67E	BEARING - steering column, lower, stepped design	48.30
B8310	67L	BEARING - steering column, lower, 2nd design	31.00
B9855	67	BEARING - upper steering column	66.70
B9860	67	BEARING & HOUSING ASSEMBLY - upper steering, used original	208.35
B8311	67	BOLT - steering column coupler, star head	8.50
B8309	67	BRACKET/SUPPORT W/CLAMP- steering col. & screws at firewall	31.25
B7948	67	BRUSH & SPRING SET - horn contact	3.30
B7940	67	BUTTON - horn	51.00
B7960	67	CAM - turn signal canceling, w/o tele	38.10
B7154	67	CAPACITOR - on turn signal switch, between starter & fuse block	27.00
B8022	67L	CLAMP - lower steering column shaft spring	11.50
B8029	67	COLLAR - steering column at dash	62.50
B7902	67	COLUMN ASSEMBLY - steering, restored	1,495.00
B7946	67	CONTACT - horn	19.65
B7972	67	COUPLER/RAG JOINT - lower steering column, w/flange, correct	130.00
B9807	67	COUPLER REPAIR KIT - w/rubber connector, limit bolts & fasteners	12.95
B8056	67	COVER - turn signal switch, plastic	7.15
B7974	67	COVER SET - upper steering column, black plastic, (2 pc.)	59.95
B7942	67	EMBLEM - horn button/shown here in button	12.75
B8031	67	HUB - steering wheel	59.95
B8028	67	INSULATOR & RETAINER SET - steering column collar	13.00
B8306	67E	KNOB/BUTTON - traffic hazard flasher on steering column, long chrome, word 'flasher' on side, (thru serial #9000)	18.65
B8307	67L	KNOB/BUTTON - traffic hazard flasher on steering column, short chrome, word 'flasher' on end, (after serial #9000)	20.45
B7966	67	LEVER/HANDLE - turn signal	22.00
B9854	67	NUT & WASHER KIT - steering wheel hub mount	1.95
A8312	67	PULLER - steering wheel hub	20.50
B8019	67E	RETAINER - lower steering column shaft, one inch 'O' clip	3.00
A7979	67	RIVET SET - horn contact, plastic, (3 pc.)	2.50
B8034	67	SCREW - steering column clamp at firewall, w/lock washer	1.00
B8055	67	SCREW SET - steering column support bracket at firewall, (2 pc.)	1.80
B3470	67	SCREW SET - steering wheel mounting, (6 pc.)	3.95
B3416	67	SCREW SET - steering column collar at dash, (2 pc.)	2.65



B7991	67	STEERING WHEEL - wood grained plastic, original, excellant condition/call for description	495.00
B7977	65-66	SUPPORT - steering column on firewall	19.75

B8036	67	SCREW SET - upper steering column cover, (2 pc.)	1.20
B7912	67	SCREW SET- horn contact, (6 pc.)	3.45
B8038	67	SCREW & NUT SET - steering column mounting bracket, (4 pc.)	3.25
B8054	67	SCREW & LOCK WASHER KIT - turn signal canceling cam, (4 pc.)	1.75
B2930	67	SEAL - steering column at firewall	5.80
B8017	67	SEAL - steering mast, lower support	5.20
B8040	67	SHIELD - turn signal lever, plastic	4.25
B8021	67L	SPACER - lower steering column shaft spring	4.50
B7126	67E	SPACER/COLLAR - lower steering column, plastic	29.35
B7127	67L	SPACER/COLLAR - lower steering column, plastic	52.00
B8024	67E	SPRING - lower steering column shaft	5.00
B8020	67L	SPRING - lower steering column shaft	5.00
B7996	67	SPRING - upper steering column	6.60
B9820	67	STAR BOLT - lower steering column coupler	7.40
B7898	67	STEERING WHEEL - wood grained plastic, reproduction	299.95
B7991	67	STEERING WHEEL - wood grained plastic, original, mint condition	495.00
B7156	67	STEERING WHEEL - teak wood, not originally available in '67	629.00
B7860	67	SUPPORT - steering column under dash, mounts to brake pedal support	345.00
B7954	67	SWITCH - turn signal, w/harness	CALL
B8018	67E	WASHER - lower steering column shaft retainer	5.00

SUSPENSION - FRONT & REAR

Front Suspension Kits

FRONT SUSPENSION REBUILD KITS			
S8002	63-67	STANDARD KIT	
S8252	63-67	PLUS KIT	
S8004	63-67	SUPER KIT	
S8010		BUSHING - upper A arm	4 4 4
S8016		BUSHING - lower A arm	4 4 4
S8036		BALL JOINT - upper	2 2 2
S8038		BALL JOINT - lower	2 2 2
S8060		STABILIZER LINK KIT (pr)	1 1 1
S8072		TIE ROD END - LH	2 2 1
S8074		TIE ROD END - RH	2 2 1
S8076		TIE ROD TUBE w/CLAMPS	2
S8070		IDLER ARM	1

S8002	63-67	FRONT SUSPENSION KIT - STANDARD VERSION * see chart for details	199.95
S8252	63-67	FRONT SUSPENSION KIT - PLUS VERSION * see chart for details	224.95
S8004	63-67	FRONT SUSPENSION KIT - SUPER VERSION * see chart for details	273.95

ORDER BY PHONE:

1-800-872-2446



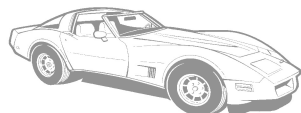
ORDER BY FAX:

708-458-2662



TECHNICAL QUESTIONS:

708-458-2500



CUSTOMER SERVICE:

708-458-6577

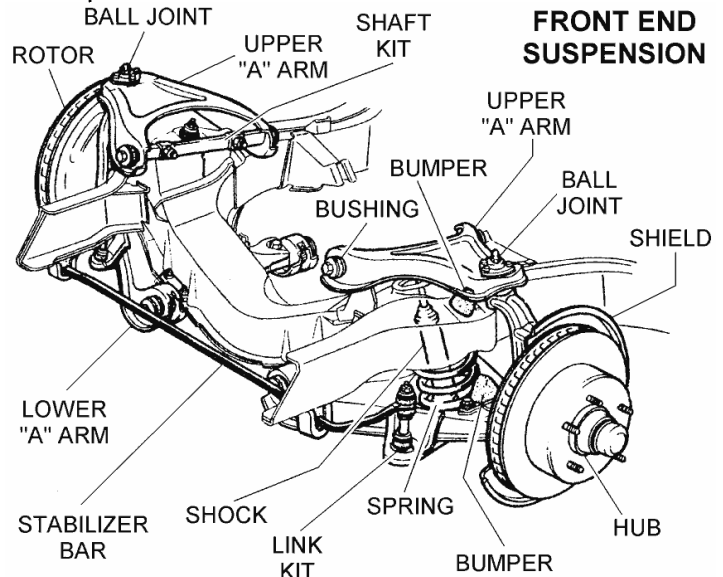
QUESTIONS ABOUT YOUR ORDER:

708-458-2500

FRONT SUSPENSION REBUILD KITS (with polyurethane bushings)			
S8032	63-67	STANDARD KIT	
S8033	63-67	PLUS KIT	
S8037	63-67	SUPER KIT	
S8203		BUSHING SET - upper & lower A arms, poly (8 pc.)	1 1 1
S8036		BALL JOINT - upper	2 2 2
S8038		BALL JOINT - lower	2 2 2
A8059		BOOT - the rod, polyurethane	2 2 2
S8062		STABILIZER LINK KIT - polyurethane (pr)	1 1 1
S8072		TIE ROD END - LH	2 2 1
S8074		TIE ROD END - RH	2 2 1
S8076		TIE ROD TUBE w/CLAMPS	2
S8070		IDLER ARM	1

S8032	63-67	FRONT SUSPENSION KIT - STANDARD VERSION W/POLYURETHANE BUSHINGS * see chart for details	249.95
S8033	63-67	FRONT SUSPENSION KIT - PLUS VERSION W/POLYURETHANE BUSHINGS * see chart for details	274.95
S8037	63-67	FRONT SUSPENSION KIT - SUPER VERSION W/POLYURETHANE BUSHINGS * see chart for details	327.95

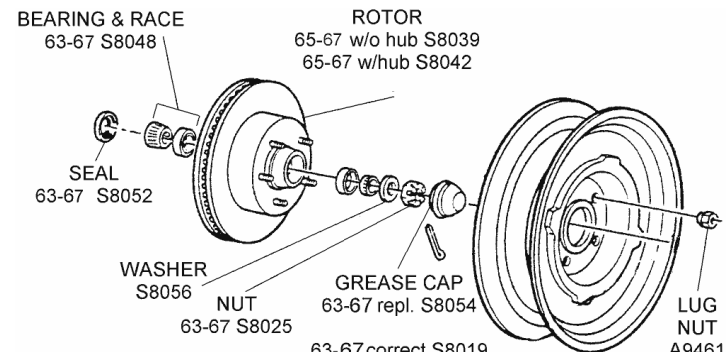
Front Suspension Shock Kits & Paint



B9434	63-67	PAINT - aluminum blast, 12 oz. aerosol	6.50
G5025	63-67	PAINT - black, gloss, 12 oz aerosol	6.50
G5090	63-67	PAINT - black, GM chassis, 12 oz. aerosol	5.85
G5003	63-67	PAINT - black, semi-gloss, 12 oz. aerosol	6.50
G0114	63-67	PAINT - cast iron color, stainless steel spray coat, 12 oz. aerosol	6.50
G5002	63-67	PAINT - cast iron color, stainless steel spray coat, hi-temp. 12 oz. aerosol	6.50
G0045	63-67	PAINT - Chevy engine orange, hi-temp, 12oz aerosol	6.95
G5005	63-67	PAINT - gray, rear spring, 12 oz. aerosol	8.40
S9356	63-67	PAINT - gray, shock absorber, aerosol can	15.70
G5013	63-67	PRIMER - synthetic zinc chromate, (green)	12.35
S8031	63-67	SHOCK KIT - KYB adjustable, 2 front, 2 rear	192.80



Front Suspension: A-Arms, Shocks & Related

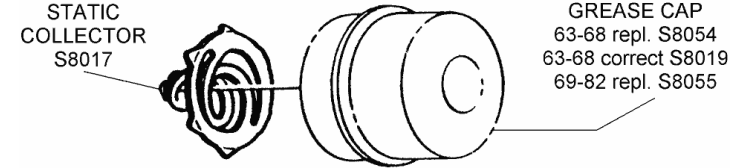


S8024	63-67	A-ARM - lower, LH, recond., w/o ball joint	145.00
S8026	63-67	A-ARM - lower, RH, recond., w/o ball joint	145.00
S8012	63-67	A-ARM - lower, w/riveted ball joint, LH	235.45
S8013	63-67	A-ARM - lower, w/riveted ball joint, RH	235.45
S8001	63-67	A-ARM - upper, LH, recond., w/o ball joint	125.00
S8009	63-67	A-ARM - upper, RH, recond., w/o ball joint	125.00
S8006	63-67	A-ARM - upper, w/riveted ball joint, LH	199.95
S8007	63-67	A-ARM - upper, w/riveted ball joint, RH	199.95
S8038	63-67	BALL JOINT - lower	50.45
S8036	63-67	BALL JOINT - upper	27.95
S7107	63-67	BOLT & NUT KIT - upper A-arm shaft to frame, front, both sides, (8 pc.)	11.95
S7108	63-67	BOLT & WASHER KIT - lower A-arm shaft to frame, front, both sides, (8 pc.)	11.95
S7903	63-67	BOLT & WASHER SET - upper A-arm shaft bushing, (12 pc., does both sides)	8.70
S7902	63-67	BOLT - upper A-arm shaft camber adjusting, (ea)	4.50
S7904	63-67	BOLT SET - lower A-arm to pivot shaft, (4 pc.)	4.65
S8316	63-67	BOLT SET - lower control arm bumper 'TR' headmark, (8 pc.)	10.00
S7109	63-67	BOLT, WASHER & NUT KIT - lower A-arm shaft to frame rear, w/special washers & nuts, (6 pc.)	14.65
A8028	63-67	BUMPER SET - control arm upper (pr)	12.95
S8018	63-67	BUMPER SET - rubber, front suspension, upper & lower, (4 pc.)	38.55
S8249	63-67	BUMPER SET - rubber, lower	10.15
A8026	63-67	BUMPER SET - rubber, upper 'A' arm, (2 pc.)	11.95
S8016	63-67	BUSHING - lower A-arm shaft, (4 req.) (ea)	6.95
S8010	63-67	BUSHING - upper A-arm shaft, (4 req.) (ea)	6.95
S7905	63-67	BUSHING SET - upper & lower A-arms, (8 pc.)	44.95
S8203	63-67	BUSHING SET - upper & lower, polyurethane, (8 pc.)	79.00
S7699	63-67	COTTER PIN KIT - all correct cotter pins for your suspension, shifter, transmission, clutch & brake system, w/ instructions	12.00
S9379	63-64E	FITTING KIT - grease, (8 pc.)	8.90
S9375	64L-67	FITTING KIT - grease, (8 pc.)	8.90
S7906	63	FITTING SET - grease, ball joint, 90 degree, (4 pc.)	5.75
S7907	64-67	FITTING SET - grease, ball joints, (4 pc.)	6.85
S9376	63-67	HARDWARE KIT - 'A' frame, includes all upper & lower 'A' arm bolts, nuts, lock washers & cup shaped washers, (42 headmarked pcs.)	42.25
A8023	63-67	MOUNT KIT - front shock absorber, (does 1 shock)	10.95
S7912	63-67	NUT & COTTER PIN KIT - lower ball joint mounting to 'A' frame (2 nuts & 2 pins)	1.80
S7910	63-67	NUT & COTTER PIN KIT - upper ball joint to steering knuckle (2 nuts & 2 pins)	1.20
S7911	63-67	NUT & LOCK WASHER KIT - lower ball joint, (2 nuts, 2 lock washers)	1.50
S7913	63-65	NUT & LOCK WASHER KIT - upper A-arm mounting to frame, (8 pc.)	3.45
S7914	63-67	NUT & WASHER KIT - lower A-arm shaft, rear	10.75
S7915	66-67	NUT SET - upper A-arm mounting to frame, (4 pc.)	2.40
S7916	63-67	PLATE - lower A-arm shaft to frame nut	10.75
B6676	63-67	PLUG SET - steering knuckle hole, all w/PS	11.30
S8251	63-67	RIVET SET - ball joint, lower, (4 pc., does both sides)	3.25
S8250	63-67	RIVET SET - ball joint, upper, (6 pc., does both sides)	4.65
S9355	63-67	SCREW/BOLT SET - front lower shock, (4 pc.)	4.10
S8014	63-67	SHAFT KIT - lower A-arm	35.90
S8008	63-67	SHAFT KIT - upper A-arm w/bushings	42.95
S8179	63-67	SHAFT KIT - upper A-arm, w/offset for extra flexibility in adjustments	37.95
S8020	63-67	SHIM KIT - A-arm, w/part #s on shims, does both sides, (28 pc.)	17.25
S8201	63-67	SHOCK - front / Delco	42.95
S8075	63-67	SHOCK - front, gas	28.10
S8000	63-67	SHOCK - front, KYB adjustable	52.95

B4227	63-67	WASHER - lower A-ARM (each)	2.60
B4229	63-67	WASHER - upper A-ARM (each)	2.60
S8021	63-64	WASHER SET - upper shock retainer, (pr)	2.25
S8028	65-67	WASHER SET - upper shock retainer, (pr)	7.95

Front Suspension: Brake, Rotor & Spindle Related

S8046	63-67	BEARING KIT - front wheel, (includes 1 each, inner & outer bearing w/races & inner seal)	27.95
S8048	63-67	BEARING w/RACE - front inner	11.85
S8050	63-67	BEARING w/RACE - front outer	12.50
S7001	65-67	BOLT SET - front brake splash shield, upper caliper bracket	12.00
S8041	63-67	BOLT SET - front caliper mounting, 'double circle' headmark, (4 pc.)	6.95
B1098	65-67	BRACKET - caliper mounting, front, LH, (recond./original)	44.95
B1099	63-67	BRACKET - caliper mounting, front, RH, (recond./original)	44.95



S8054	63-67	CAP - grease, front wheel / replacement	4.95
S8019	63-67	CAP SET - grease, front wheel w/dimple, correct, (pr)	24.85
S7699	63-67	COTTER PIN KIT - all correct cotter pins for your suspension, shifter, transmission, clutch & brake system, w/ instructions	12.00
S8034	63-67	GASKET - between front brake splash shield & spindle	7.55
S8366	63-65	HUB - brake drum, front, recond., (ea)	95.00
S8061	65-67	HUB - front rotor, small bearing journal, recond.	195.00
S7908	63-67	KNUCKLE - steering arm, LH, casting #3817593, used, recond.	75.00
S7909	63-67	KNUCKLE - steering arm, RH, casting #3817594, used, recond.	75.00
S8025	63-67	NUT - front spindle	5.20
S8065	63-67	NUT, WASHER & COTTER PIN KIT - 6 pc.	6.50
S8350	63-67	RIVET SET - fastens one rotor to hub, as from factory, (5 pc.)	5.25
S8039	65-67	ROTOR - front, w/o hub, (transfer old hub)	59.00
S8052	63-67	SEAL - front wheel bearing	7.50
S7750	65-67	SHIELD - splash, brake flange plate, LH front caliper, w/bright zinc plating, Delco ID & part number	39.95
S7751	65-67	SHIELD - splash, brake flange plate, RH front caliper, w/bright zinc plating, Delco ID & part number	39.95

NOTE: S7750 & S7751 have small Delco characters and are not considered 100% NCRS correct.

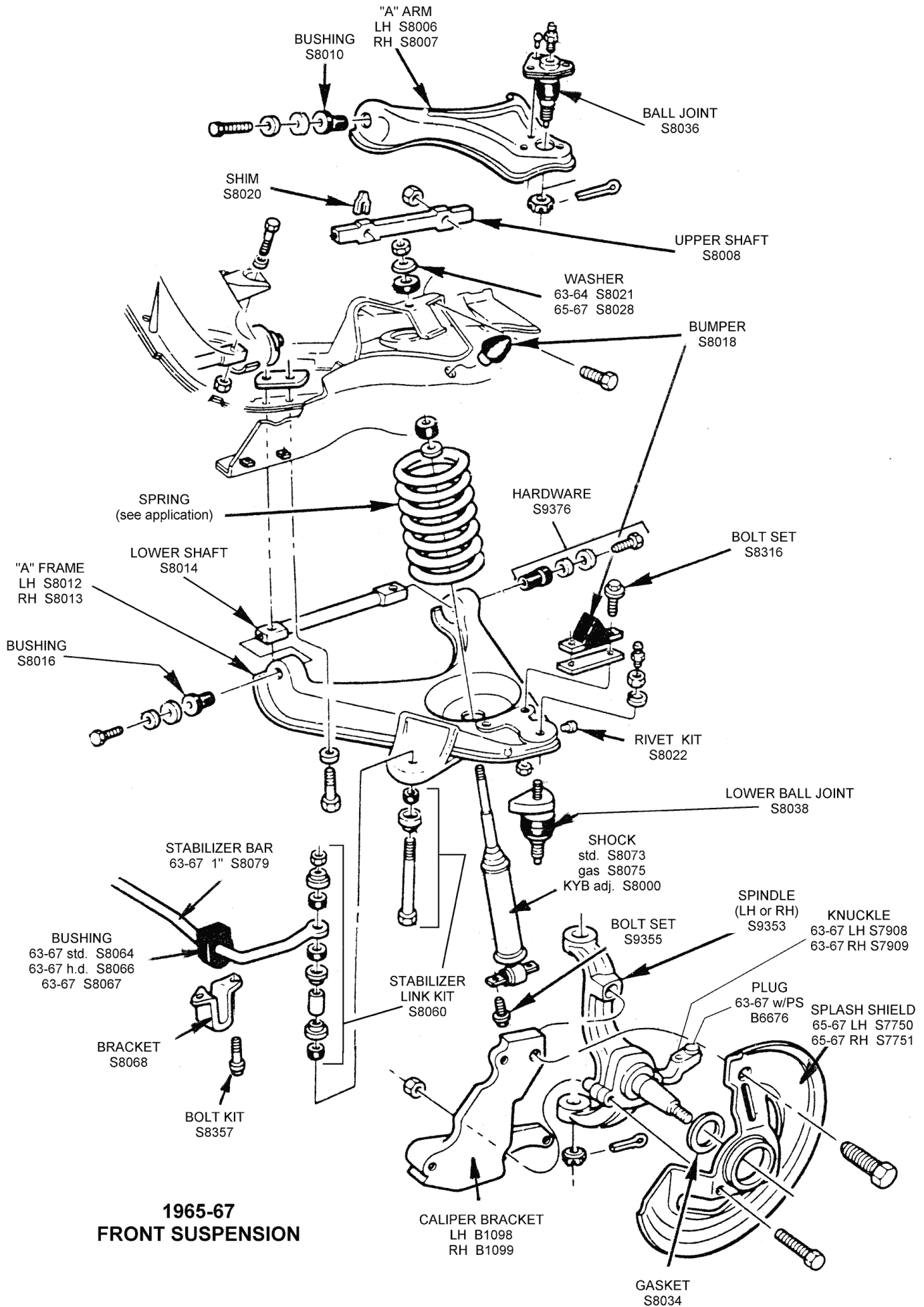
S7754	65-67	SHIELD - splash, brake flange plate, LH front caliper, zinc	29.95
S7755	65-67	SHIELD - splash, brake flange plate, RH front caliper, zinc	29.95
S9352	63-65	SPINDLE & KNUCKLE - small spindle bearing journal w/drum brakes, used LH or RH, drum brake only	157.50
S9353	65-67	SPINDLE & KNUCKLE - spindle, small bearing journal, used, LH or RH, disc brake only	195.00
S9354	63-67	SPINDLE & KNUCKLE - large bearing journal, used LH or RH, 69-82 style, repl.	75.00
S8030	65-67	STUD - rotor, front or rear, 1 7/8' long	2.60
S8165	65-67	STUD KIT - wheel stud, with 'TR' marking, set of 5	7.50
S8056	63-67	WASHER - bearing retainer, front spindle	3.00

Front Suspension: Springs

S7726	63-67	SPRING - front, standard, (ea)	159.95
S7787	63-67	SPRING SET - front, standard, (pr)	119.95
S7724	63-67	SPRING - front, heavy duty, (ea)	64.95
S7730	65-67	SPRING - front, 396/427, w/o AC, (ea)	101.75
S9357	66-67	SPRING - front, 427 w/AC, (ea)	134.95

Front Suspension: Stabilizer Bar & Standard Bushings

S8341	63-67	BOLT, NUT & WASHER KIT - front stabilizer bracket, 'Anchor' hm	6.20
S8357	63-67	BOLT, NUT & WASHER KIT - front stabilizer bracket, 'WB' hm	7.75
S8068	63-67	BRACKET - front stabilizer bar bushing	14.95
S8067	63-67	BUSHING - front stabilizer bar	12.00
S8066	63-67	BUSHING - front stabilizer bar, heavy duty suspension	13.90
S8064	63-67	BUSHING - front stabilizer bar, 3/4', (standard suspension)	23.95



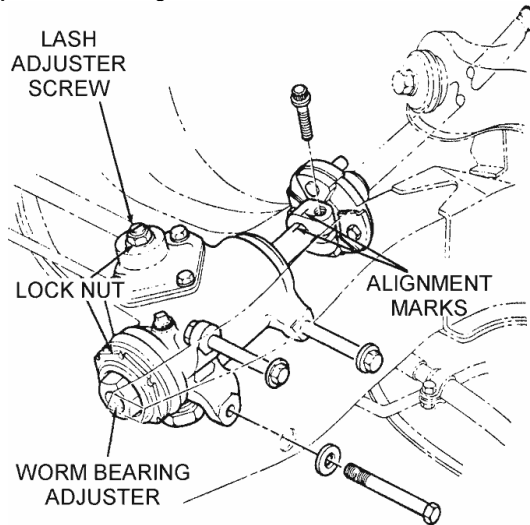
**1965-67
FRONT SUSPENSION**

A8075 63-67	BUSHING SET - stabilizer links (rubber) (8 pc.)	13.25
S8060 63-67	LINK KIT - front stabilizer, (pr)	18.75
S7920 63-67	LINK KIT - front stabilizer, w/'WB2C' headmark, (pr)	29.25
S7921 63-67	STABILIZER BAR - front, 3/4', (used, recond.)	124.95
S7922 63-67	STABILIZER BAR - front, 7/8', (used, recond.)	129.95
S8079 63-67	SWAY BAR - front 1'	224.05

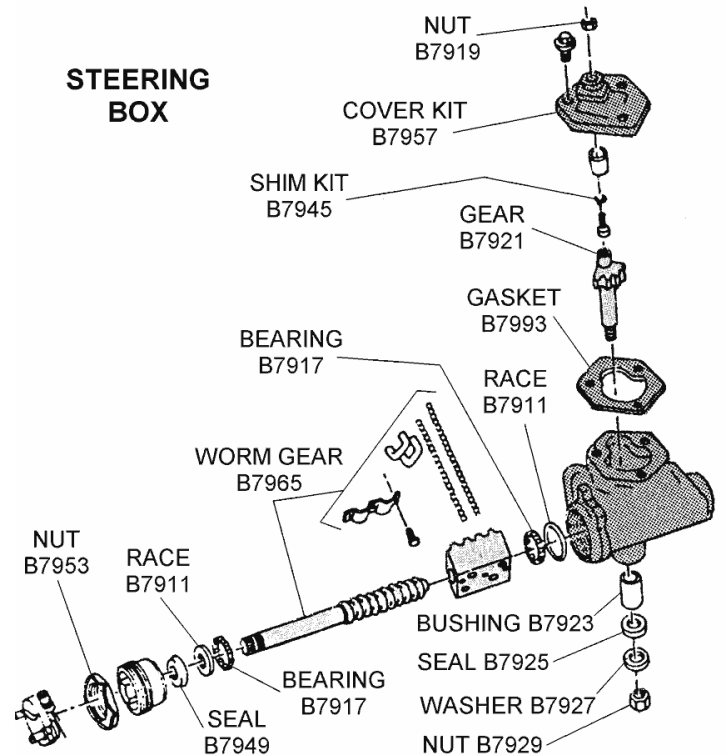
Front Suspension: Stabilizer Bushings - Polyurethane

S8094 63-67	BUSHING SET - stabilizer bar, 1', (pr)	26.95
S8093 63-67	BUSHING SET - stabilizer bar, 15/16" F40-41, (pr)	33.05
S8087 63-67	BUSHING SET - stabilizer bar, 3/4', polyurethane, (pr)	29.95
S8092 63-67	BUSHING SET - stabilizer bar, 7/8" HD, (pr)	33.05
S8356 63-67	BUSHING SET - front stabilizer link kit, polyurethane, (8 pc.)	18.95

Front Suspension: Steering Box



STEERING BOX

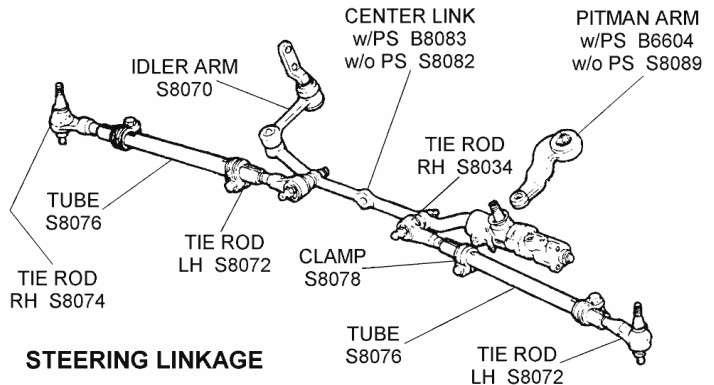
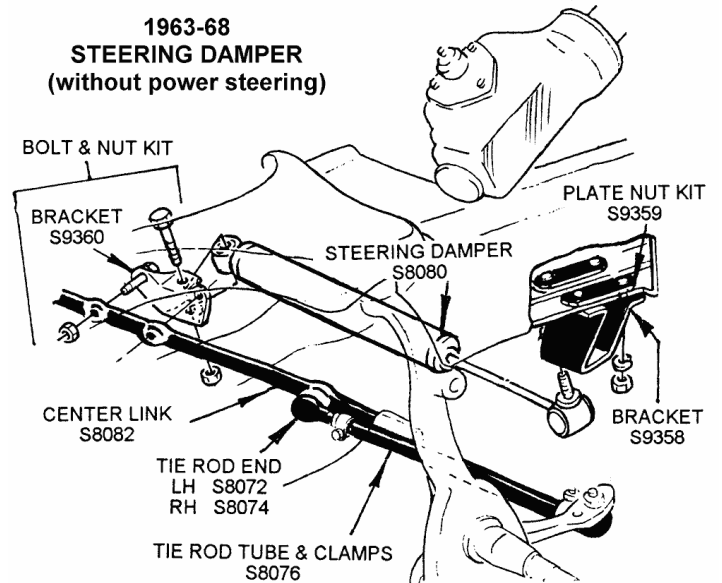


B7951 63-67	ADJUSTER - worm gear	19.00
B7917 63-67	BEARING - gear thrust, (2 req.) (ea)	6.85
S7923 63-67	BOLT SET - steering box to frame, (9 pc.)	13.95
B7923 63-67	BUSHING - pitman shaft	12.75
B7957 63-67	COVER KIT - w/gasket	50.65
B7993 63-67	GASKET - steering box cover	2.50
A7913 63-67	LUBRICANT - steering gear box, w/special injector lube fitting	10.50
B7919 63-67	NUT - for lock washer, jamb type	7.45

B7929 63-67	NUT - pitman shaft	10.50
B7911 63-67	RACE - bearing, gear thrust, (2 req.) (ea)	6.45
S7924 63-67	REBUILD KIT - steering box	62.95
B7882 63-67	REBUILD KIT - steering box, super kit	94.85
B7959 63-67	REBUILD SERVICE - steering box, regain tight precise steering, exchange of your original unit	189.95
B7915 63-67	RESTORATION SERVICE - the ultimate steering box remanufactured, includes replacement of pitman shaft, worm gear, bearings, shims, seals, cleaning, detailing, adjustment & assembly	325.00
B7925 63-67	SEAL - pitman shaft	13.50
B7949 63-67	SEAL - worm gear	6.50
A7959 63-67	SHIM KIT - for mast adjuster	18.50
B7927 63-67	WASHER - pitman shaft	4.50

Front Suspension: Steering Rack

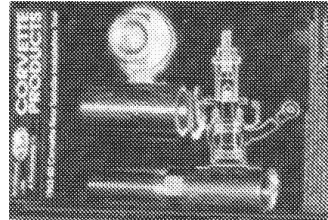
1963-68 STEERING DAMPER (without power steering)



STEERING LINKAGE

S7925 63-67	BOLT & NUT KIT - idler arm mounting to frame, (4 pc.)	5.95
S8084 63-67	BALL STUD - center link / relay rod, w/o PS	24.95
S9361 63-67	BOLT & NUT KIT - steering damper, (7 pc.)	5.85
S7926 63-67	BOLT & NUT KIT - steering rod clamp, w/o PS	3.10
S8360 63-67	BOLT - tie rod end clamp 'TR' headmark	1.95
S8312 63-67	BOLT KIT - tie rod end clamp 'TR' headmark w/crimp nuts, (8 pc.)	6.00
S9359 63-67	BOLT PLATE & NUT KIT - steering damper bracket, (10 pc.)	8.35
S7007 63-67	BOOT - idler arm	12.90
S9358 63-67	BRACKET - steering damper, on frame	28.75
S9360 63-67	BRACKET - steering damper, on relay rod	29.50
S7927 63-67	CAP - steering relay rod, w/o PS	10.45
B8000 63-67	CENTER LINK (RELAY ROD) - w/PS, small diameter rod (recond.)	249.95
B8083 63-67	CENTER LINK (RELAY ROD) - w/PS, large diameter rod (1969-82 design)	199.95
S9395 63-67	CENTER LINK (RELAY ROD) - w/o PS, small diameter rod (recond.)	224.95
S8082 63-67	CENTER LINK (RELAY ROD) - w/o PS, large diameter rod, reconditioned / 1969-82 design	199.00
S8088 63-67	CLAMP - center link ball stud seal, w/o PS	13.95
S8078 63-67	CLAMP - tie rod tube	4.75
S7928 63-67	COTTER PIN - manual steering relay rod cap, (ea)	1.00
S8080 63-67	DAMPER - steering, for low horsepower Corvettes w/o power steering [EXCEPT 63/5 HI PERF] - NOS/NEW	149.95

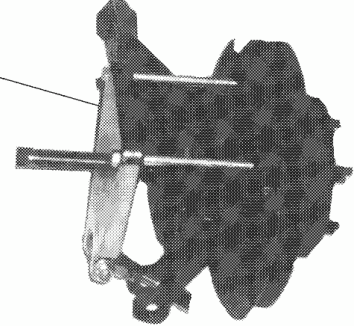
A8053	63-67	DUST BOOT/GREASE SEAL - tie rod, (included w/new tie rod ends)	3.95
A8059	63-67	DUST BOOT/GREASE SEAL SET - tie rods, polyurethane, (2 pc.)	5.95
A8311	63-67	FORK - tie rod removal	15.50
K0176	63-67	GREASE FITTING - manual steering relay rod	1.00
S8044	63-67	IDLER ARM - heavy duty	47.95
S8137	63-67	NUT - castle/slotted, tie rod end	1.65
A8066	63-67	NUT - idler arm to steering rack, castle/slotted type	1.75
S8089	63-67	PITMAN (BOX) ARM - w/o power steering, casting #3829451	52.95
B6604	63-67	PITMAN (BOX) ARM - w/power steering, casting #3741383	54.95
S8057	63-67	REBUILD KIT - steering relay rod, (includes S8084, S8086 & S8088)	89.95
S8086	63-67	SEAL - center link ball stud seal, w/o PS	20.20
S8368	63-67	SEAT - center link (relay rod) w/o PS	19.95
S8369	63-67	SPRING SET - center link (relay rod) w/o PS, (pr)	14.25
S8072	63-67	TIE ROD END - LH, (2 req.) (ea)	22.75
S8074	63-67	TIE ROD END - RH, (2 req.) (ea)	21.30
S8076	63-67	TUBE - tie rod, includes clamps	37.10



REAR SPINDLE
INSTALLATION
TOOL
S8318

S8318 63-67 TOOL - rear spindle, installation press112.10

REAR SPINDLE
REMOVAL PRESS
(heavy duty)
S8317

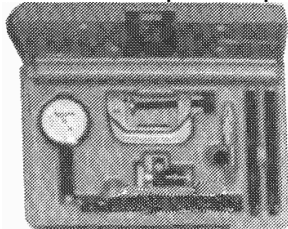


S8317 63-67 TOOL - rear spindle, installation press, heavy duty249.95
S8319 63-67 TOOL - strut rod bushing installation109.85

Paint

G5003	63-67	PAINT - black, semi-gloss, 12 oz. aerosol	6.50
G0114	63-67	PAINT - cast iron (gray), 12 oz. aerosol can .	6.50
G5002	63-67	PAINT - cast iron (stainless steel color), hi-temp.12 oz. aerosol can	6.50
G5005	63-67	PAINT - gray, rear spring, 12 oz. aerosol	8.40

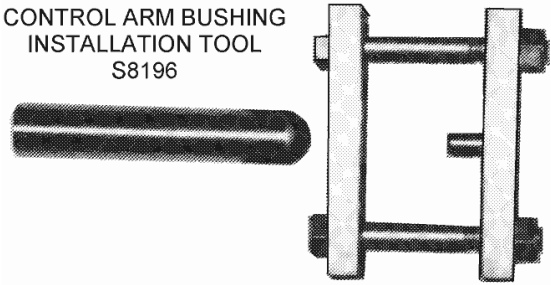
Rear Suspension: 1963-67 Special Suspension Products



UNIVERSAL
DIAL INDICATOR
SET
S8394

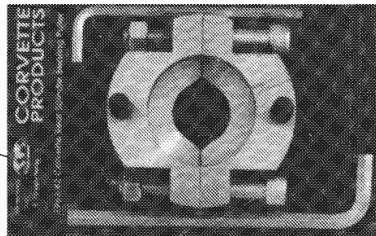
S8394	63-67	DIAL INDICATOR KIT - universal	114.95
S8023	63-67	GREASER - rear wheel bearing	19.75
S9393	63-67	TOOL & KNOCKER GUN KIT - rear spindle removal (includes other chisels)	139.95
S9397	63-67	TOOL & KNOCKER GUN KIT - shock mount removal (includes other chisels)	139.95

CONTROL ARM BUSHING
INSTALLATION TOOL
S8196

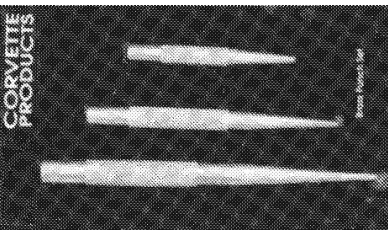


S8196 63-67 TOOL - trailing arm, front bushing installation99.95
B0471 63-67 TOOL - windshield, rear window removal11.95

REAR SPINDLE
BEARING
PULLER
S8345

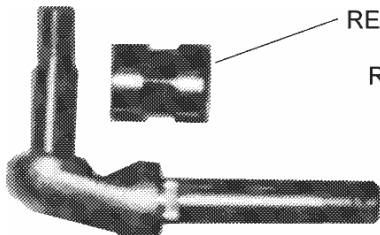


S8345 63-67 TOOL - rear outer bearing removal135.35



BRASS
PUNCH
SET
S8393

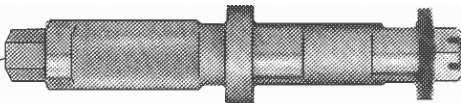
S8393 63-67 TOOL SET - brass punches, 8', 6', 4'34.95



REAR SHOCK
MOUNT
REMOVAL
TOOL
S8191

S8191	63-67	TOOL - rear shock mount removal	24.95
S9396	63-67	TOOL - rear shock removal (for use w/hammer gun)	49.95

REAR SPINDLE
SET-UP TOOL
S8195

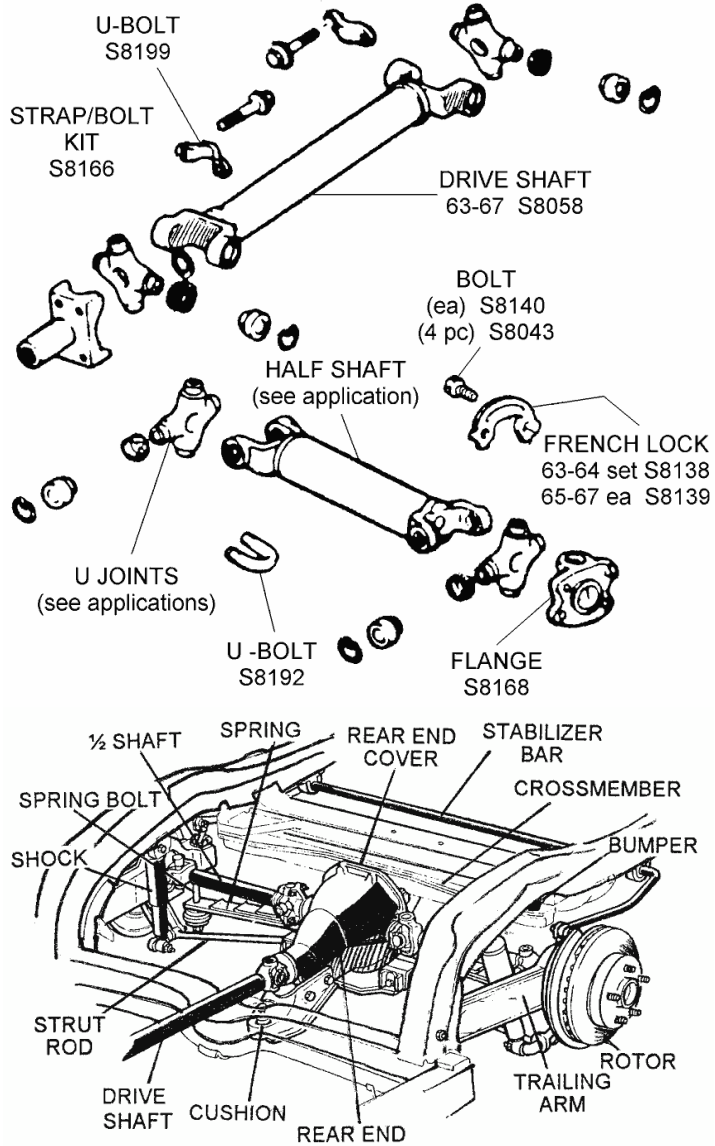


S8195	63-67	TOOL - rear spindle bearing set-up	112.10
S8174	63-67	TOOL - rear spindle knocker	19.60
S9394	63-67	TOOL - rear spindle removal (for use with hammer gun)	52.95

Rear Suspension: Brake Related

S8126	63-67	BRACKET - rear caliper mounting, LH, recon.	42.00
S8181	63-67	BRACKET - rear caliper mounting, RH, recon.	42.00
S8378	63-67	SHIELD - splash, parking brake flange plate, zinc silver, left hand, w/Delco ID & part number	49.65
S8375	63-67	SHIELD - splash, parking brake flange plate, zinc silver, right hand, w/Delco ID & part number	49.65
NOTE: S8075 & S8078 have small Delco characters and are not considered NCRS correct.			
S8346	63-67	SHIELD - splash, parking brake flange plate, zinc silver, LH	29.95
S8347	63-67	SHIELD - splash, parking brake flange plate, zinc silver, RH	29.95
S8030	63-67	STUD - spindle, rear wheel retaining	2.60

Rear Suspension: Drive Shaft, Half Shafts & U-Joints



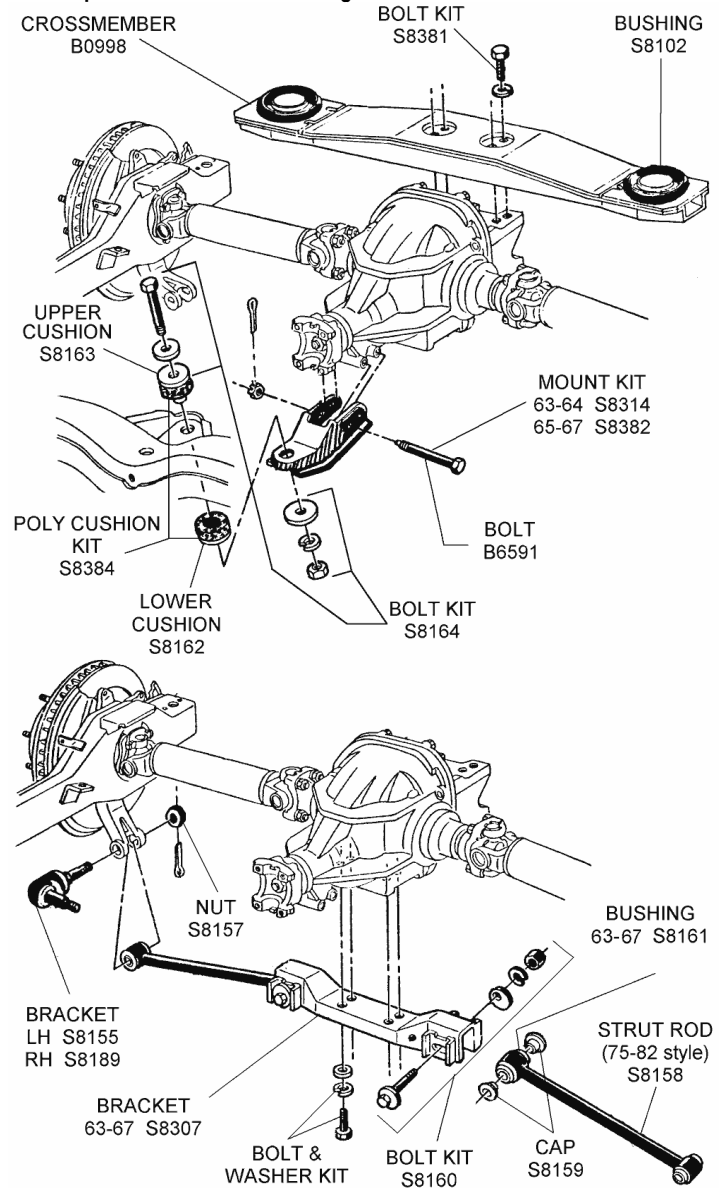
S8140	63-67	BOLT - axle flange, (ea)	17.50
S7104	63-67	BOLT - heavy duty yoke cap, (4 req.) (ea)	2.60
S8043	63-67	BOLT SET - half shaft to spindle flange & rear caliper mount, (4 pc.)	5.25
S7313	63-67	BOLT SET - half to spindle flange, WB headmark, (8 pc.)	10.95
S7103	63-67	CAP/RETAINER - heavy duty side yoke, (2 req. per yoke) (ea)	22.95
S7699	63-67	COTTER PIN KIT - all correct cotter pins for your suspension, shifter, transmission, clutch & brake system, w/ instructions	12.00
S8058	63-67	DRIVE SHAFT - 2', all 63-67	169.95
S8205	63-67	DRIVE SHAFT - 2', same as S8058 w/new tube installed (recond., exch.)	179.95
S8168	63-67	FLANGE - 1/2 shaft U-joint, (ea)	49.95
S8387	63-67	FLANGE - 1/2 shaft U-joint, (recond.)	35.00
S8138	63-64	FRENCH LOCK SET - rear axle U-joint bolt, (4 pc.)	13.50
S8139	65-67	FRENCH LOCK - rear axle U-joint bolts, ea	2.75
S8175	63-67	HALF SHAFT - cleaned and remanufactured w/new greaseable U-joints, (exchange) (2 1/2' diameter)	99.95
B8710	63-64	SLIP YOKE - drive shaft, automatic trans., (16 spline)	127.85
B8711	63L-67	SLIP YOKE - drive shaft, Muncie 4 speed, (26 spline)	159.95
S8166	63-67	STRAP/BOLT SET - drive shaft U-joint retainer, pr	10.35
S8199	63-67	U-BOLT - drive shaft U-joint retainer, w/o HD, (ea)	3.00
S8192	63-67	U-BOLT - half shaft U-joint retainer	6.65
S7763	63-67	U-JOINT - 1/2 shaft, w/o grease fitting	23.65
S8144	63-67	U-JOINT - 1/2 shaft	18.00
A8188	63-67	U-JOINT - drive shaft w/o grease fitting	18.95
S8172	63-67	U-JOINT - drive shaft, (all w/3 or 4 speed)	15.00
S8173	63-67	U-JOINT - drive shaft, w/automatic transmission	17.00

Rear Suspension: Hardware Kits

1963-67 Rear Suspension Hardware Kits include all the nuts, bolts, washers, cotter pins and cushions you need to take care of the trailing arms, inner and outer leaf spring mounts, differential mountings, strut rods and outer half shafts. Components fit all 63-67 cars but do not include the hardware for big block cars with rear stabilizer bar.

S8343	63-64	HARDWARE KIT - rear suspension, incl. items above	139.95
S8344	65-67	HARDWARE KIT - rear suspension, incl. items above	134.95

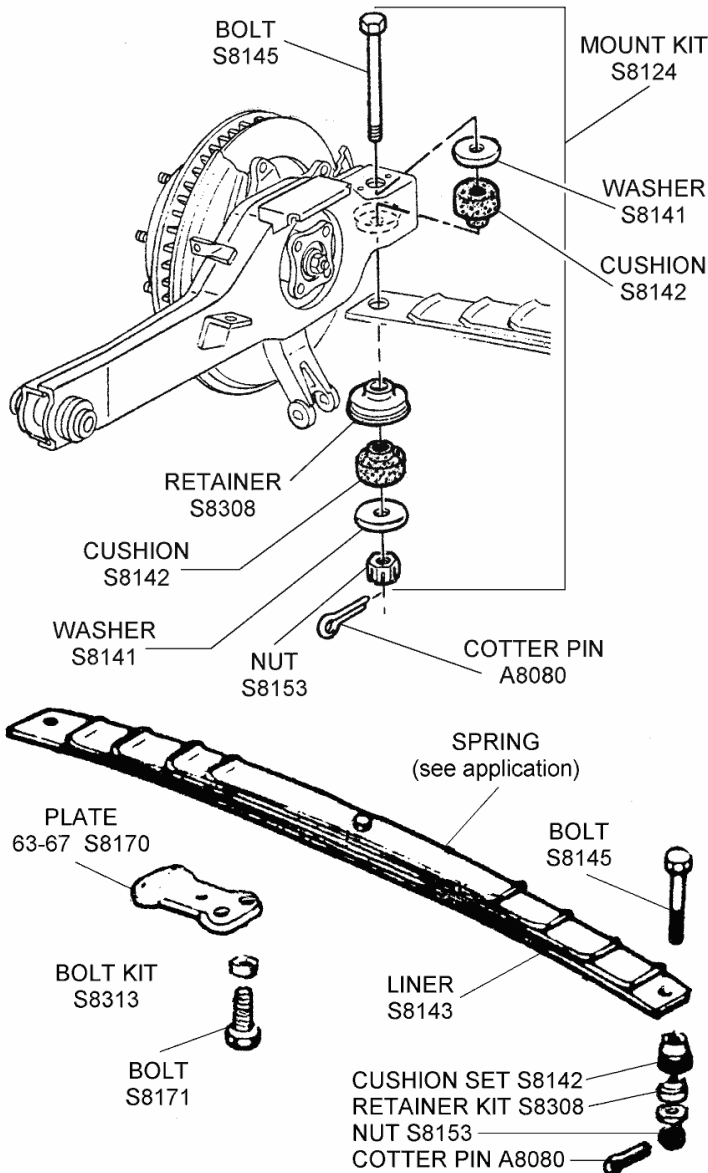
Rear Suspension: Rear End Mounting



B6591	65-67	BOLT - rear end carrier mount bracket, 'TR' headmark	10.35
S8164	63-67	BOLT KIT - front mount rear end to crossmember, (thru cushions)	4.15
S8100	63-67	BOLT KIT - rear crossmember cushion to frame	2.75
S8381	63-67	BOLT SET - rear crossmember to rear end cover, (4 pc.)	5.35
S7930	63E	BRACKET - differential front mount, (used, recond.)	130.00
S7931	63L-67	BRACKET - differential front mount, (used, recond.)	95.00
S7758	63-67	BUSHING SET - crossmember, above rear end, machined aluminum, for race use	229.90
S8102	63-67	BUSHING/CUSHION - crossmember above rear end	64.95
B0998	63-67	CROSSMEMBER - above rear end, reconditioned w/2 new rubber cushions installed	325.00
S8162	63-67	CUSHION - lower front, rear end mount	13.20
S8163	63-67	CUSHION - upper front, rear end mount	13.90
S8384	63-67	CUSHION KIT - front end mount, (2 pc.), polyurethane	24.95
S7932	63-67	CUSHION KIT - rear end front bracket to frame (upper & lower cushion w/bolt & washer kit)	30.90

S8314 63-64	MOUNT KIT - front bracket to rear end, 'TR' hm, (6 pc.)	11.25
S8382 65-67	MOUNT KIT - front bracket, to rear end, (6 pc.)	20.75

Rear Suspension: Rear Spring & Related



S7392 63-82	MOUNT KIT - outer rear spring, 8\" bolt for adjusting ride height, w/polyurethane cushions.	42.95
S8153 63-67	NUT - spring mount, outer, castle style, (ea)	1.75
S8170 63-67	PLATE - rear spring mount anchor, (5/8\" bolt holes)	29.95
S8308 63-67	RETAINER/CUP - spring mount, outer	2.50
S7742 63-67	SPRING - heavy duty, rear 2'-2 1/4' wide, (7 leaf)	149.95
S7741 63-67	SPRING - standard rear, (9 leaf)	129.95

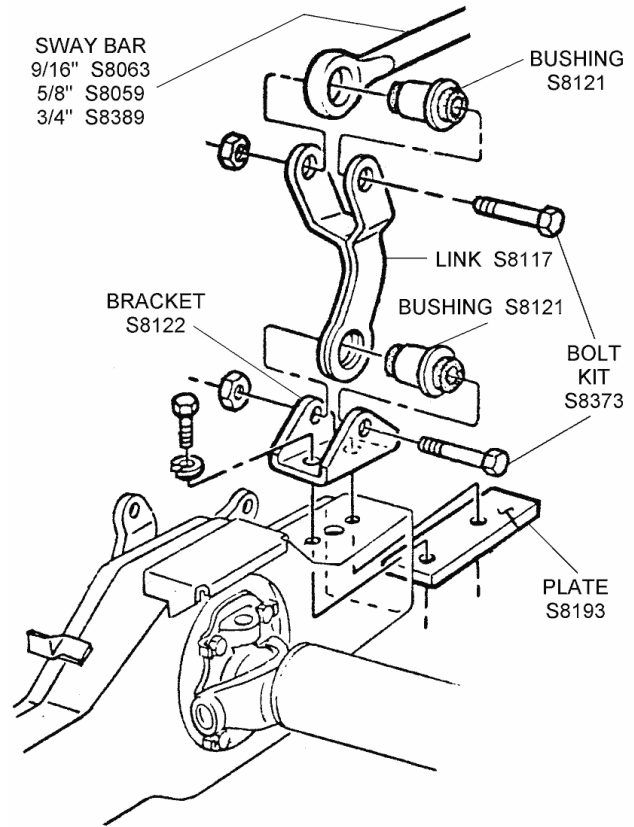
NOTE: 1963-67 rear springs are 2\"-2 1/4\" wide. To insure you get the right spring, measure spring at the rear end because the rear end cover may have been changed.

S8141 63-67	WASHER - spring mount, outer	2.25
-------------	------------------------------	------

Rear Suspension: Rear Spring - Fiberglass

S7793 63-67	SPRING - rear, 300lb w/polyurethane cushions	379.95
S7789 63-67	SPRING - rear, 315lb w/rubber cushions	339.00
S7794 63-67	SPRING - rear, 330lb w/polyurethane cushions	379.95
S7790 63-67	SPRING - rear, 330lb w/rubber cushions	339.00
S7795 63-67	SPRING - rear, 360lb w/polyurethane cushions	379.95
S7791 63-67	SPRING - rear, 360lb w/rubber cushions	339.00
S7796 63-67	SPRING - rear, 420lb w/polyurethane cushions	379.95
S7792 63-67	SPRING - rear, 420lb w/rubber cushions	339.00

Rear Suspension: Rear Strut Rod & Related



S8160 63-67	BOLT KIT - camber rod adjust bolt kit, w/nut/washer	22.95
S7933 63-67	BOLT SET - rear strut rod bracket to differential	7.30
S8307 63-67	BRACKET - rear wheel strut support, under rear end, (recond.)	59.95
S8161 63-67	BUSHING - rear strut rod, small design for original strut rods (2 req., ea)	12.95
S7934 63-67	BUSHING SET - strut rod, polyurethane, (4 pc.)	31.80
S8206 63-67	BUSHING SET - strut rod, polyurethane, 1 1/2\" OD rod eye size (8 bushings, 4 sleeves, does 2 strut rods)	29.95
S7935 63-67	BUSHING SET - strut rod, polyurethane, when 75-82 strut rods are used w/ 1-3/8\" O.D., (4 pc.)	36.25
S8159 63-67	CAP - rear strut rod bushing	1.95
S8332 63-67	STRUT ROD - adjustable, w/polyurethane bushings, pr	118.95

Improve ride with a Rear Fiberglass mono-spring kit. It's simple. When it's time to replace your rear spring, bolt on a fiberglass spring. You'll find it gives you a smoother, more comfortable ride, and increased handling also. Gone is the choppy, "squeaky" ride associated with steel springs. Other benefits: Fiberglass lasts 5 times longer than steel. Won't rust. Won't take a permanent set. Carries a 5 year full warranty. And best of all, it's available in a wide range of spring rates to match your individual car and driving needs. The rear spring kits shown below include the fiberglass mono-spring; adjustable spring bolt kit, and polyurethane or rubber cushions; a plate mounting kit; and instructions.

S7929 63-67	BOLT & NUT - rear spring center	5.50
S8171 63-67	BOLT - rear spring mount anchor plate, 9/16\" x 3 1/2\"	3.75
S8145 63-67	BOLT - spring mount, outer, (ea)	15.70
S8208 63-67	BOLT KIT - rear end cover mount, 7/16\" x 3 1/2\", (8 pc.)	9.95
S8313 63-67	BOLT KIT - rear spring mount anchor plate, 9/16\" x 3 1/2\", (8 pc.)	15.50
A8080 63-67	COTTER PIN SET - spring mount, outer, (pr)	1.05
S8142 63-67	CUSHION SET - rear spring mount, outer, (4 pc.)	10.50
S7707 63-67	CUSHION SET - rear spring mount, outer, (4 pc.), polyurethane	20.55
S7760 63-67	LINER SET - 7 leaf rear spring, (correct)	42.00
S7709 63-67	LINER SET - 9 leaf rear spring, (correct)	49.00
S8301 63-67	MOUNT KIT - rear spring, (same contents as S8124 except some non-GM components)	31.95
S8124 63-67	MOUNT KIT - rear spring, bolts, washers, cushions, nuts & cotter pins (does both sides) GM	39.50

S7105 63-67	STRUT ROD - original small bushing style, recon. original w/new original small design bushings installed	105.75
S8158 63-67	STRUT ROD - rear, w/bushings, (w/75-82 type bushings)	47.95

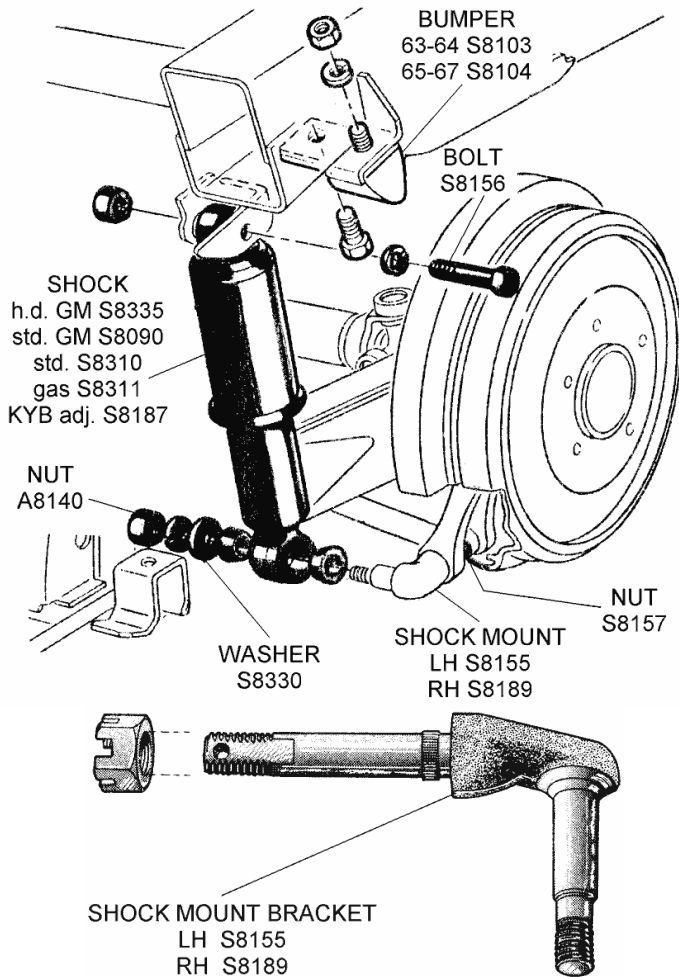
Rear Suspension: Rear Sway Bar

S8373 65-67	BOLT & NUT KIT - rear stabilizer link	5.35
S8388 65-67	BOLT KIT - rear stabilizer bar bracket	4.50
S8119 65-67	BRACKET - rear stabilizer bar 396/427	10.00
S8122 65-67	BRACKET - rear stabilizer link	6.50
S8121 65-67	BUSHING - rear stabilizer link	6.80
S7936 63-67	BUSHING SET - rear stabilizer link, polyurethane, (4 pc.)	14.95
S8118 65-67	BUSHING - rear stabilizer bar 396/427	9.20
S8005 65-67	BUSHING SET - rear stabilizer bar, 9/16", polyurethane, (pr)	33.05

NOTE: Polyurethane sway bars bushings (black) look stock and improve handling. We suggest you measure your sway bar prior to ordering.

S8003 63-67	BUSHING SET - rear stabilizer bar, 5/8" polyurethane, (pr)	29.00
S8087 63-67	BUSHING SET - rear stabilizer bar, 3/4", polyurethane, (pr)	29.95
S8193 65-67	PLATE SET - rear stabilizer link, 65-74 396/427, (pr)	13.75
S8306 65-67	SPACER - sway bar, 396/427, (2 req.) (ea)	5.85
S8117 65-67	STABILIZER LINK - w/bushing, rear	22.00
S8351 65-67	STABILIZER LINK KIT - incl. S8193, S8122, S8117, S8373 (2) S8121, (does one side)	37.95
S8059 65-67	SWAY BAR - rear, 5/8"	291.75
S8063 65-67	SWAY BAR - rear, 9/16"	265.00
S8389 65-67	SWAY BAR - rear, 3/4"	159.95
S7938 65-67	SWAY BAR KIT - correct rear bar, (9/16", w/all mounting hardware & bushings)	CALL

Rear Suspension: Shocks & Related

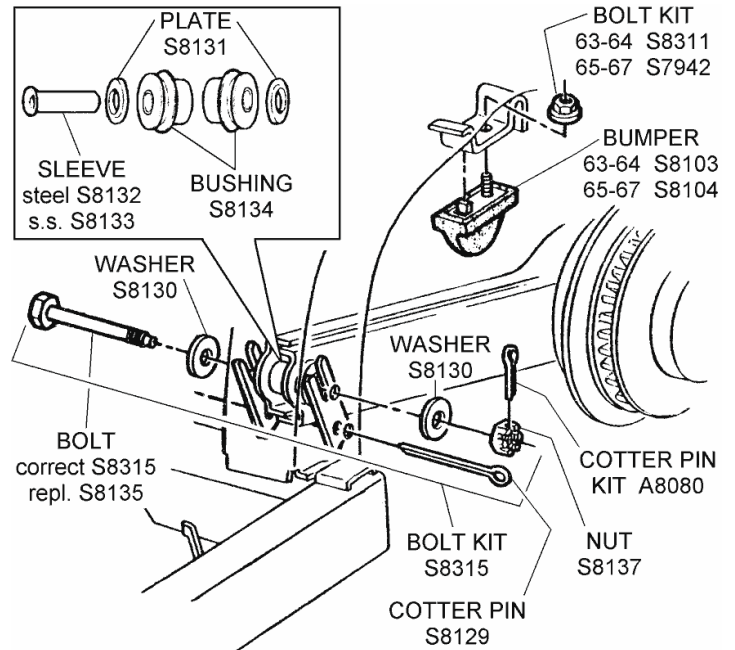
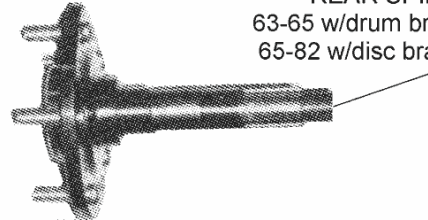


S8156 63-67	BOLT KIT - rear upper shock mount, car set (6pc)	8.00
S7945 63-67	BOLT KIT - rear upper shock mount, (does both sides)	8.95
S8155 63-67	BRACKET - lower shock mount w/castle nut, LH	39.95
S8189 63-67	BRACKET - lower shock mount w/castle nut, RH	39.95
B0990 63-67	BRACKET - rear shock, upper (welds to frame) (2 req.) (ea)	16.75
S7947 63-67	MOUNT KIT - rear lower shock, (6 pc.)	6.25

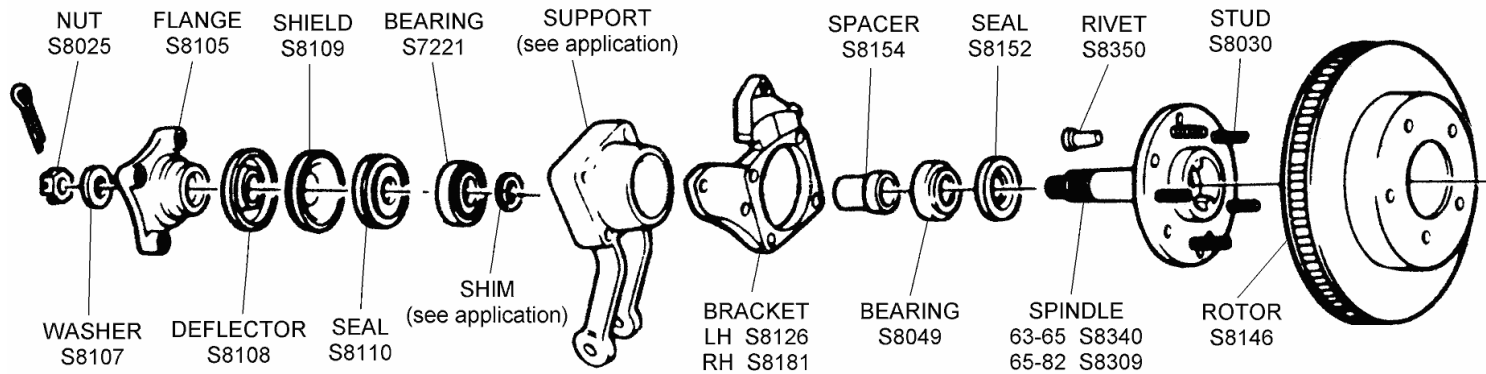
A8140 63-67	NUT - rear end shock mounting to bracket	3.45
A4862 63-67	NUT - shock mount bolt, upper, thin jamb type, (2 per car) (ea)	1.00
S8157 63-67	NUT - shock mount to spindle support, castle style	1.75
S8335 63-67	SHOCK ABSORBER - rear, DELCO	42.95
S8311 63-67	SHOCK ABSORBER - rear, gas	26.75
S8187 63-67	SHOCK ABSORBER - rear, KYB brand, adjustable	52.95
S8330 63-67	WASHER - shock, rear lower, cupped	2.35

Rear Suspension: Spindle - Rotor In Rear Trailing /Control Arm

REAR SPINDLE
63-65 w/drum brake S8340
65-82 w/disc brake S8309



S7238 63-67	BEARING & RACE - rear, inner	38.25
S8049 63-67	BEARING & RACE - rear, outer	27.60
S8112 63-67	BEARING KIT - rear wheel, (incl. 1 each of: rear bearing & seal, rear outer bearing & seal)	42.95
S8108 63-67	DEFLECTOR - dust, rear spindle flange	2.50
S7185 63	FLANGE - rear spindle, thin design, (recond.)	90.00
S8386 63-67	FLANGE - rear spindle, recond., (63 repl.)	65.00
S8025 63-67	NUT - castle type, rear spindle	5.20
S7937 63-67	NUT & WASHER KIT - rear parking brake flange, does both sides (16 pc.)	3.10
S8350 65-67	RIVET SET - rotor to hub, as from factory, (5 pc.)	5.25
S8146 65	ROTOR - rear	59.00
S8110 63-67	SEAL - rear wheel inner bearing	6.00
S8152 63-67	SEAL - rear wheel outer bearing	7.75
S8109 63-67	SHIELD - dust, rear inner wheel bearing	4.95
S7761 63-67	SHIM & SPACER KIT - rear wheel bearing, incl. 9 shims & 1 spacer	43.95
S8113 63-67	SHIM - rear wheel bearing, .097 thickness	4.25
S8328 63-67	SHIM - rear wheel bearing, .103 thickness	4.25
S8327 63-67	SHIM - rear wheel bearing, .109 thickness	4.25
S8329 63-67	SHIM - rear wheel bearing, .115 thickness	4.25
S8326 63-67	SHIM - rear wheel bearing, .121 thickness	4.25
S8323 63-67	SHIM - rear wheel bearing, .127 thickness	4.25
S8324 63-67	SHIM - rear wheel bearing, .133 thickness	4.25
S8331 63-67	SHIM - rear wheel bearing, .139 thickness	4.25
S8325 63-67	SHIM - rear wheel bearing, .145 thickness	4.25
S8154 63-67	SPACER - rear wheel bearing	17.65
S8340 63-65	SPINDLE - rear, w/drum brake	149.95
S8309 65-67	SPINDLE - rear	139.95
S8150 65-67	SPINDLE - rear, (GM)	285.00
S8030 63-67	STUD - spindle, rear wheel retaining	2.60
S8165 65-67	STUD KIT - wheel stud, with 'TR' marking, set of 5	7.50



S7186	63	SUPPORT - spindle, LH, w/extra small ear, w/o webbing, recond.	225.00
S7187	63	SUPPORT - spindle, RH, w/extra small ear, w/o webbing, recond.	225.00
S9377	63-67	SUPPORT - spindle, LH w/small lower shock support ears, recond. original (63 repl.) ..	124.95
S9378	63-67	SUPPORT - spindle, RH w/small lower shock support ears, recond. original (63 repl.) ..	124.95
S8077	63-67	SUPPORT - spindle, LH, recond. original w/large lower ears (63-67 repl.) ..	146.55
S8029	63-67	SUPPORT - spindle, RH, recond. original w/large lower ears (63-67 repl.) ..	146.55
S8107	63-67	WASHER - rear spindle	6.80

S8380	63-67	SHIM KIT - control arm to frame, rear, (16 pc.) (4-1/8', 8-1/32', 4-1/4'), stainless steel, does both sides	42.25
S8359	63-67	SHIM KIT - control arm to frame, rear, (18 pc.) (4-1/64', 6-1/8', 4-1/32', 4-1/4'), stainless steel, does both sides	42.25
S8132	63-67	SLEEVE - rear, control arm bushing, (2 req.) (ea)	5.95
S8133	63-67	SLEEVE - rear, control arm bushing, stainless steel, (pr)	17.95
S9330	63-64	TRAILING ARM - rear, LH, w/front bushings ..	209.95
S9331	63-64	TRAILING ARM - rear, RH, w/front bushings ..	209.95
S8114	65-67	TRAILING ARM - rear LH, w/front bushings ..	209.95
S8147	65-67	TRAILING ARM - rear RH, w/front bushings ..	209.95
S8130	63-67	WASHER - rear control arm bolt	1.90

Rear Suspension: Trailing (Control) Arm

S8135	63-67	BOLT - front trailing arm mounting, at frame ..	5.95
S7939	63-64	BOLT - rear trailing arm thru bearing support brake flange plate	9.50
S8116	63-67	BOLT - rear trailing arm thru bearing support brake flange plate (63-64 repl.)	3.05
S7940	63-67	BOLT KIT - front trailing arm mounting, at frame, replacement	10.45

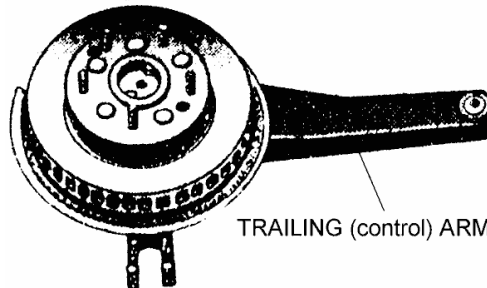
NOTE: Bolt Kit S7940 contains bolt, lock washers, flat washers, nut & cotter pin. This kit does one side of car.

S9398	63-67	BOLT KIT - front trailing arm mounting, at frame, stainless steel 2 bolts w/washers, nuts, and cotter keys	46.95
S8315	63-67	BOLT KIT - front trailing arm mounting, correct, grade S 'TR' headmark, (10 pc.) ..	22.75

NOTE: Bolt Kit S8315 contains correct grade 5 "TR" headmark bolts, washers, castle nuts, and 2 cotter pins, zinc plated. This kit does both sides of car.

S8043	63-67	BOLT SET - rear brake caliper, 'double circle' headmark, (4 pc.)	5.25
S8151	63-67	BUSHING & SLEEVE KIT - does 2 trailing arms (4 bushings/2 sleeves & washers)	39.95
S8103	63-64	BUMPER - rear trailing arm, on frame, rubber, (2 req.) (ea)	28.25
S8104	65-67	BUMPER - rear trailing arm, on frame, rubber, (2 req.) (ea)	11.95
S8134	63-67	BUSHING - front of rear trailing arm, (2 req.) (ea)	11.40
S8204	63-67	BUSHING SET - front of rear control arm, polyurethane (must use shell from old bushing), does both arms, (4 pc.)	32.95
S8129	63-67	COTTER PIN - rear, control arm shims	1.95
A8080	63-67	COTTER PIN SET - rear control arm mounting bolt, (pr)	1.05
S8111	63-64	MOUNT KIT - trailing arm bumper, (bolts & nuts)	3.00
S8149	63-67	MOUNT KIT - trailing arm to frame, (bolt, shims, sleeve, beveled washer, standard bushing, lock washer, nut & cotter pins) (kit does one side)	205.10
S8137	63-67	NUT - castle/slotted, control arm bolt	1.65
S7942	63-64	NUT SET - trailing arm bumpers, (2 pc.)	1.00
B1349	65-67	PIN - parking brake shoe anchor, on rear rotor shield	16.65
S8131	63-67	PLATE - rear control arm bushing	1.95
S8322	63-67	SHIM - control arm to frame, rear, (1/64" thick)	8.75
S8321	63-67	SHIM - control arm to frame, rear, (1/32" thick)	4.00
S8320	63-67	SHIM - control arm to frame, rear, (1/8" thick)	4.00
S8128	63-67	SHIM - control arm to frame, rear, (1/4" thick)	4.00
S8358	63-67	SHIM KIT - control arm to frame, rear, (16 pc.) (4-1/8', 8-1/32', 4 1/4'), steel/zinc plated and cleared, does both sides	29.25

Rear Suspension: Trailing (Control) Arm Assemblies & Remanufacturing



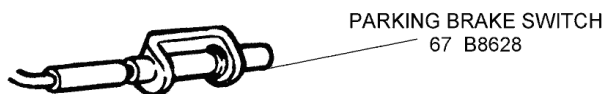
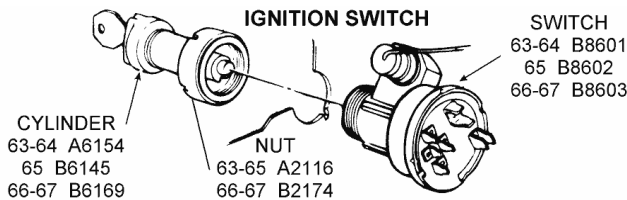
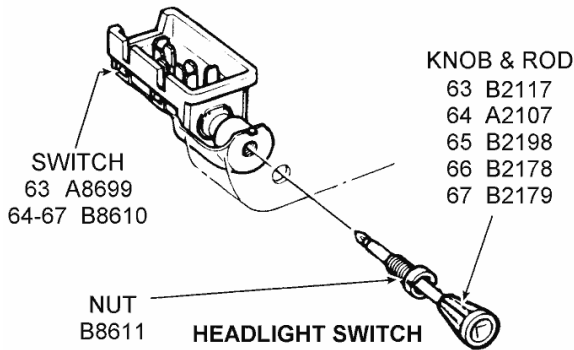
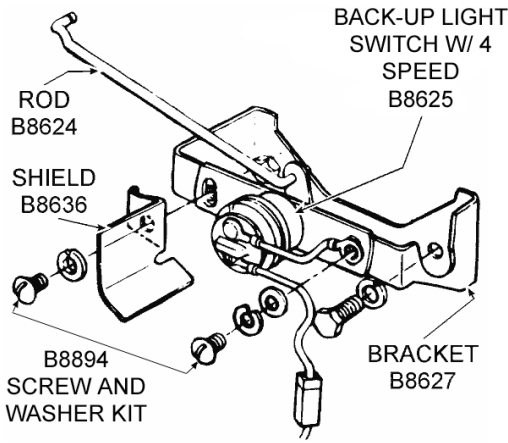
TRAILING (control) ARM

S8304	65-67	TRAILING ARM ASSEMBLY - R&R deluxe, LH	379.95
S8305	65-67	TRAILING ARM ASSEMBLY - R&R deluxe, RH	379.95
DELUXE REBUILD: Includes disassembly of bearing support (press out spindle) and cleaning of all components. Assembly includes new bearings, races, seals & bearing dust shield along with any new shims necessary to "set up" correct bearing tolerances. Bearings are pre-loaded with Hi-Temp grease. The spindle is press installed into the bearing support with the caliper bracket and splash shield. (Customer needs to supply bearing housing with caliper flange dust shield, spindle flange and axle spacer. Trailing arm is cleaned, painted and new front bushings installed. A stainless steel parking brake hardware kit and standard parking brake shoes are installed. Completely assembled minus rotor, ready to be installed. Options: New brake dust shield \$25 additional. Stainless steel parking brake shoes \$35 additional. Deduct \$10 if you want standard (non-stainless steel).			
S8197	65-67	TRAILING ARM ASSEMBLY - new, LH	934.95
S8198	65-67	TRAILING ARM ASSEMBLY - new, RH	934.95
Parts S8197 and S8198 includes new trailing (control) arm, bearing support and bearings, spindle and spacers, caliper splash shield, rotor, stainless steel parking brake kit and shoes along with various other parts. All assembled, ready to bolt on.			

SWITCHES - NOS, RESTORED, NEW & REPRODUCTION

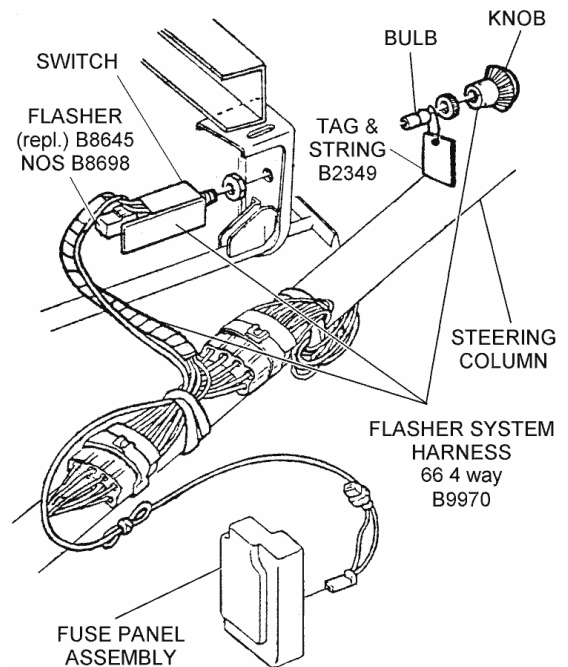
Current Production, Replacements & Related

B8627	63-67	BRACKET - back-up light switch, all w/4 speed	9.95
B7153	63-67	CAPACITOR - on ammeter gauge, behind dash ..	29.35
B7150	65-67	CAPACITOR - on coil bracket, 396/427	29.35
B7155	63-67	CAPACITOR - on dash rear/ignition switch ..	29.35
B7152	64-67	CAPACITOR - on heater blower motor, (1 or 2 req.) (ea)	45.00
B7154	63-67	CAPACITOR - on turn signal switch, between flasher & fuse block	27.00
B7151	63-67	CAPACITOR - on voltage regulator	21.10
B0566	63	CAPACITOR - parking brake & brake light switch	21.50



A0022	68-78	SENDING UNIT - water temperature, pre-calibrated replacement	21.30
B8636	63-67	SHIELD - back-up light switch, w/4 speed	9.00
B2143	64-67	SWITCH & BULB KIT - glove box light, w/terminal	22.50
B2143	64-67	SWITCH & BULB KIT - glove box light, w/terminal	22.50
B2135	63E	SWITCH & BULB KIT - glove box, w/o metal reflector over bulb (w/terminal)	10.00
B2145	63L	SWITCH & BULB KIT - glove box, w/metal reflector over bulb (w/terminal)	10.00
B2180	63-67	SWITCH & BEZEL - headlight door opening, on dash	110.35
B0524	65-66	SWITCH & CHROME BEZEL - power antenna, w/harness	79.95
B0282	63-67	SWITCH - AC shut-off on inner heater box electrical	17.60
B8625	63-67	SWITCH - back-up lamp, w/4 speed	61.65
B8606	63-67	SWITCH - door jamb, light courtesy	14.95
A8699	63	SWITCH - headlight (on/off), on dash	29.95
B8610	64-67	SWITCH - headlight (on/off), on dash	23.15
B8604	63-67	SWITCH - headlight dimmer	10.40
B4913	63-67	SWITCH - headlight limit, motor, bucket rotating, 2 req. ea	11.65
B5557	63-67	SWITCH - heater vacuum w/AC, correct brass (repro)	70.85
B8601	63-64	SWITCH - ignition, replacement	23.50
B8602	65	SWITCH - ignition	CALL
B8603	66-67	SWITCH - ignition	67.95
B7303	65-67	SWITCH - neutral safety, back up light, automatic transmission / mounts to shifter	200.95
B8607	64-66	SWITCH - parking brake light	14.95
B8628	67	SWITCH - parking brake warning light	25.95
B8622	63-67	SWITCH - power window	62.20
A8626	63-67	SWITCH - stop/brake light under dash, plastic	9.25
B7952	64-66	SWITCH - turn signal, w/harness, W/O TELE	83.10
B7999	65-66	SWITCH - turn signal, w/harness, W/TELE	162.45
B7954	67	SWITCH - turn signal, w/harness	CALL
B0279	63-67	SWITCH - vacuum, AC/heater, on top of heater box, brass	54.00
B8621	63-64	SWITCH - wiper	39.95
B8631	65-66	SWITCH - wiper	39.95
B8633	67	SWITCH - wiper	62.95
B2349	65-66	TAG - traffic hazard warning switch, w/string	5.00
B0221	63-67	RELAY - heater/AC blower, replacement	16.95

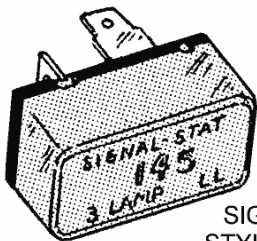
Delco NOS & Restored



B7880	66-67	CLAMP/CLIP - starter wires cable to solenoid, w/427	17.45
B8656	65-67	CLIP - turn signal flasher	5.80
A8680	63-67	CONNECTORS & TERMINALS - dimmer switch	4.00
B8623	63-67	CUP - power window switch, inserts in drive shaft tunnel	31.50
A9996	63-67	EMERGENCY FUSE & FLASHER KIT - w/puller, 11 pc.	7.95
B8648	67	FLASHER - 4 way, Signal Stat #175, on fuse block, ink stamped	19.95
A8681	63-65	FLASHER - turn signal, w/o back up lamp, replacement	5.25
B8614	63-65	HORN RELAY - replacement	27.80
B8640	66-67	HORN RELAY - w/correct DELCO script on lid w/o part number	67.95
B8615	66-67	HORN RELAY - replacement, 2 bottom slide on terminals & 2 screw on terminals	29.95
B8657	63-67	MOUNT PLATE & RIVETS - dimmer switch	8.25
B8611	63-67	NUT - headlight switch	18.00
A2116	63-65	NUT - ignition switch	14.60
B2174	66-67	NUT - ignition switch	13.20
B8634	63-67	NUT - wiper switch	4.90
A1014	63-67	NUT SET - brake light switch, pr	2.50
B9851	65-66	PLATE - turn signal activating	11.25
B8635	64-67	RELAY - headlight motor actuator	46.75
B8624	64-67	ROD - back-up lamp switch	8.95
B8894	64-67	SCREW SET - back-up lamp switch mounting	1.45
A8678	63-67	SCREW SET - dimmer switch, 2 pc.	2.60
B3415	63-67	SCREW SET - headlight door open switch, on dash, w/nuts, 4 pc.	2.75
A1991	63-67	SENDING UNIT - temperature, with correct AC DELCO stamped text	30.00
A2002	63-67	SENDING UNIT - temperature, (replacement)	8.00

We offer the largest selection of NOS and pre-owned turn signal and 4-way flashers. Originally, either Tung Sol or Signal Stat brands could have been used in your Corvette.

B2502	64-67	AMPLIFIER BOX - transistorized ignition, restored original w/new decal & undated new internals	595.00
B7172	63-64	CAPACITOR - on voltage regulator, GM #1960957, restored original	21.00
B7173	65-67	CAPACITOR - on voltage regulator, GM #1964086, restored original	21.00



**SIGNAL STAT
STYLE FLASHER**

- A8672 63 FLASHER - w/back repl. lamps, Tung Sol #AP27319.95
- A8673 63 FLASHER - w/back-up lamps, Signal Stat #142, #1034 bulbs (2 bulb system), NOS, embossed16.95
- B8690 63 FLASHER - w/back-up lamps, Tung Sol #223, #1034 bulbs (2 bulb system), NOS19.95
- A8690 63-64 FLASHER - w/o back-up lamps, Tung Sol, AP37329.95
- B8655 64-66 FLASHER - w/back-up lamps, Signal Stat #144, NOS, embossed19.95
- B8626 64-65 FLASHER - w/o back-up lamps, Tung Sol #323, metal can, yellow, embossed, (pre-owned) ...24.95
- B8651 64-65 FLASHER - w/back-up lamps, Tung Sol #224 w/blue metal can, 2 bulb, NOS29.95
- B8691 64-67 FLASHER - w/o back-ups, Signal Stat #145, 64-65 & 67 mounts, NOS, embossed34.95
- B8652 66 FLASHER - w/back-up lamps ,Tung Sol #224, w/blue plastic can, N.O.S29.95
- B8654 67 FLASHER - w/o back-ups, turn signal, Tung Sol #323 w/yellow plastic can, w/D.O.T., NOS 10.00
- B8698 66 FLASHER - 4 way, signal stat #170, recond./original, embossedCALL
- B8648 67 FLASHER - 4 way, Signal Stat #175, on fuse block, ink stamped19.95
- B8645 66 FLASHER - 4 way, Signal Stat, mounts in 4 way flasher unit , NOS, repl.13.25
- B8681 67E FLASHER - 4 way, Tung Sol #552, silk screened, mounts in fuse block, (pre-owned) . 29.95
- B8682 67L FLASHER - 4 way, Tung Sol #552, embossed, mounts in fuse block (pre-owned)CALL
- B9970 66 FLASHER SYSTEM - 4 way, with harness & knob & flasher, original224.95
- B8646 63-65 HORN RELAY - original #1115824, restored ...64.95
- B0664 66 HORN RELAY - original #1115837, restored, w/solid mounting tabs on cover139.95
- B0665 67 HORN RELAY - original #1115837, restored, w/split mounting tabs on cover149.95
- A7805 63E SOLENOID - starter, GM #1119910, original restored w/correct Bakelite cap69.95
- B788863L-64E SOLENOID - starter, GM #1114304 / original restored w/correct end cap & Delco logo99.95
- B7890 64-67 SOLENOID - starter, GM #1114356, NOSCALL
- B7801 64-67 SOLENOID - starter, GM #1114356, original restored w/correct Bakelite cap69.95
- B8613 65 SWITCH - ignition, Delco #1116660, NOS124.95
- B8683 66 SWITCH - ignition, Delco #1116673, NOS95.00
- B8641 67 SWITCH - ignition, Delco #1116686, NOSCALL
- A8641 63-66 SWITCH - stop/brake light, w/metal housing, GM #1993509, NOS / NEW39.95
- B1280 67 SWITCH - low brake fluid warning & proportioning valve, rebuild service, front brakes, exchange89.95

TOOLS

Battery

- A8313 63-67 PLIERS - spring-ring battery cable removal ..42.45
- A8319 63-67 PULLER - battery cable end, standard3.95

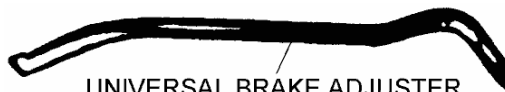
Brakes

- A8332 63-65 HONE - wheel cylinder (3 stone)12.00

BRAKE SPRING PLIERS - A8310



- A8310 63-65 PLIERS - brake spring installation/removal ...7.95



**UNIVERSAL BRAKE ADJUSTER
A8305**

- A8305 63-65 TOOL (SPOON) - brake adjusting9.35

COMBINATION BRAKE SPRING COMPRESSOR

A8321



- A8321 63-65 TOOL - brake shoe hold-down spring compressing, removal & installation9.75
- B1048 65-67 TOOL - disc brake caliper pad restraining, (4 pc.)16.80
- A8309 63-67 WRENCH - brake bleeder5.95

Cables

- A1409 63-67 LUBRICATOR ADAPTER - for injecting grease into speedo and tach cables23.30

Clutch

- A8304 63-67 TOOL - clutch alignment12.95

Dash

- B1422 63-65 WRENCH - ignition switch nut8.55
- B5556 66-67 WRENCH - ignition switch nut27.40

Engine

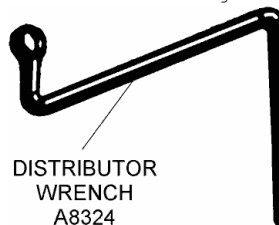
- A8328 63-67 FEELER GAUGE - for setting valve lash or adjusting points2.95

HARMONIC BALANCER PULLER

A8308



- A8308 63-67 PULLER - harmonic balancer, heavy duty18.95
- A8302 63-67 PULLER - spark plug boot & cable3.00
- A8317 63-67 REPAIR KIT - spark plug threads in head, (14 mm)11.95
- A8329 63-67 SWITCH - remote control of your starter, w/leads8.95
- A2550 63-67 TOOL - distributor bushing installation9.25



**DISTRIBUTOR
WRENCH
A8324**

- A8324 63-67 TOOL - distributor loosening/adjusting14.95
- A2555 63-67 TOOL - tap guide insert, set screw, tach drive distributor, (9 pc.)5.95
- A2556 63-67 TOOL - threaded drill guide, tach drive distributor8.75

General

- A8300 63-67 BRUSH - parts cleaning3.25
- A8307 53-62 CHISEL - muffler removal9.95
- A7319 63 GAUGE BLOCK - 4 speed adjustment5.45
- B7355 64-67 GAUGE BLOCK - 4 speed shifter adjustment2.40
- A8326 63-67 MIRROR - telescopic, great for looking at casting dates & numbers in remote locations ..4.95
- A8313 63-67 PLIERS - hose clamp removal42.45
- B7600 63-67 SOCKET - spare tire carrier bolt34.95
- A5560 63-67 TIP - screw driver, sun visor nut5.95
- B3949 63-67 TOOL - gas tank meter (sending unit) cam removal16.75
- A2715 63-64 TOOL - winged speed nut installation, 1/8' & 3/16' size10.95
- B4830 63-67 WRENCH - hard top mounting, as original41.40

- B4816 64L-67 WRENCH - for special spanner screw & nut, hard top rear window retainer, used with retainer kit B481510.65

- S8196 63-67 TOOL - trailing arm, front bushing installation99.95
- S8393 63-67 TOOL SET - brass punches, 8', 6', 4'34.95

Interior

- A5719 63-67 PLIERS - hog ring, seat cover installation, (economy)6.95
- A5768 63-67 PLIERS - hog ring, seat cover installation, (pro model)29.30
- A5767 63-67 PLIERS - hog ring, seat cover installation, (spring loaded)22.00
- B5981 63-67 PLIERS - zigzag spring clip closing35.00
- A5560 63-67 TIP - screw driver, sun visor nut5.95

INSTALLATION TOOL A5840



- A5840 63-67 TOOL - firewall insulation fasteners/plug installation7.35
- B5867 63-64 TOOL - seat back screen staking12.00
- B5868 63-64 TOOL - seat back, for vent screen20.00
- B5813 63-67 TOOL - seat cover installation, hook shaped . 15.80



DOOR HANDLE CLIP REMOVER A5959

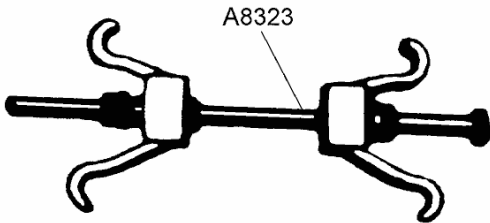
- A5959 63-67 TOOL - window crank and door lock knob removal5.65
- B5982 63-67 TOOL SET - zigzag spring bending, (pr)30.00

Steering Wheel

- A8312 63-67 PULLER - steering wheel hub20.50

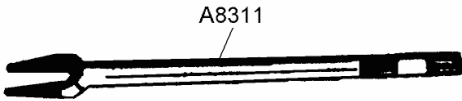
Suspension

COIL SPRING COMPRESSOR A8323



- A8323 63-67 COMPRESSOR - front coil springs61.85
- S8394 63-67 DIAL INDICATOR KIT - universal114.95

TIE ROD END & SHOCK LINK PULLER A8311



- A8311 63-67 FORK - tie rod removal, also useful in removing box arm from control valve stud15.50
- S8023 63-67 GREASER - rear wheel bearing19.75
- A8327 63-67 PLIERS SET - install & remove internal & external snap rings8.65

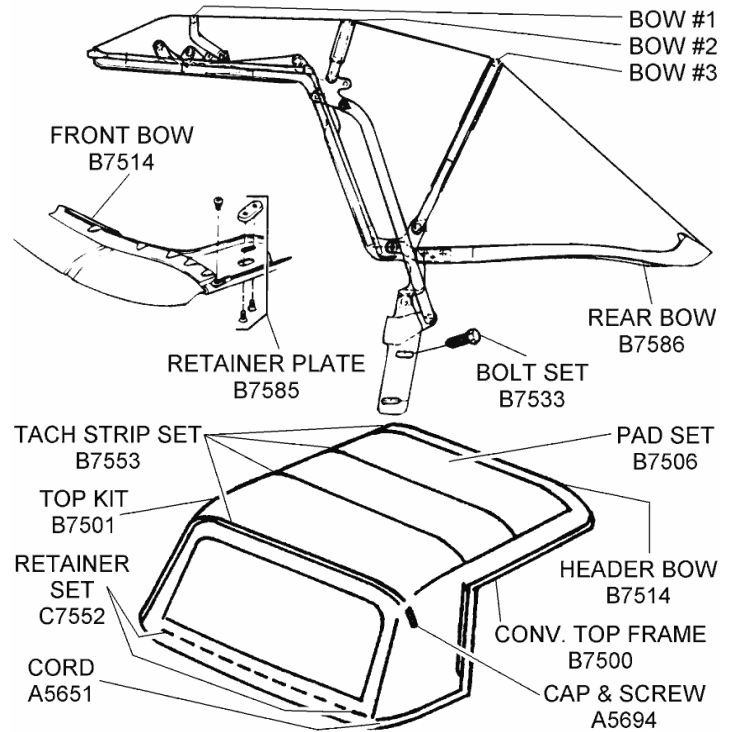
PITMAN ARM PULLER A8322



- A8322 63-67 PULLER - pitman arm39.50
- S8345 63-67 TOOL - rear outer bearing removal135.35
- S8191 63-67 TOOL - rear shock mount removal24.95
- S8195 63-67 TOOL - rear spindle bearing set-up112.10
- S8174 63-67 TOOL - rear spindle knocker19.60
- S8318 63-67 TOOL - rear spindle, installation press112.10
- S8317 63-67 TOOL - rear spindle, installation press, heavy duty249.95
- S8319 63-67 TOOL - strut rod bushing installation109.85

TOP ASSEMBLIES & RELATED PARTS

Convertible Top

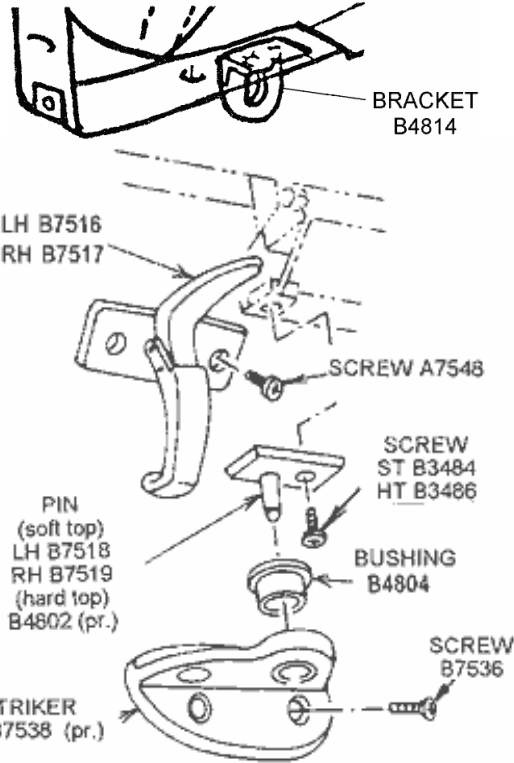


- B7549 63-67 BOLT SET - soft top mounting, (4 pc.)10.50
- B7514 63-67 BOW - front / header429.00
- B7586 63-67 BOW - rear, soft top339.95
- B4804 63-67 BUSHING SET - front guide pin, (inserts in strikers) (pr)5.95
- A5694 63-67 CAP KIT - rear window trim bead end, stainless steel, 2 caps/screws9.95
- A5651 63-67 CORD - rear bow weatherstrip hold-in6.95
- B9290 63-67 FASTENER KIT - convertible top weatherstrip, (54 pc.)14.70
- B0567 63-65 FRAME ASSEMBLY - soft top1,995.00
- B7500 66-67 FRAME ASSEMBLY - soft top1,995.00
- B7552 63-67 HARDWARE KIT : SCREWS & WASHERS - soft top frame rebuild w/o rivets39.95
- B7516 63-67 LATCH - front soft top, LH117.50
- B7517 63-67 LATCH - front soft top, RH117.50
- B7560 63-67 LOCK ASSEMBLY - rear conv. top hold-down on deck lid99.90
- B7506 63-67 PAD SET - soft top under canvass, (pr)33.80
- B7518 63-67 PIN - front soft top guide, LH, w/screws14.00
- B7519 63-67 PIN - front soft top guide, RH, w/screws14.00
- B7524 63-67 PIN - rear soft top guide, on top, LH27.95
- B7525 63-67 PIN - rear soft top guide, on top, RH27.95
- B7585 63-67 RETAINER PLATE & SCREW KIT - front, soft top bow42.00
- C7552 63-67 RETAINER SET - w/screws, soft top strap14.95
- B7561 63-67 RIVET - soft top frame pivot, (ea)7.00
- B3484 63-67 SCREW SET - guide pin, soft top, front, (2 pc.)2.25
- B0570 63-67 SCREW SET - soft top frame rebuild-includes all screws to assemble a 1963-67 soft top frame (w/o rivets)33.65
- A7548 63-67 SCREW SET - soft top or hard top front latch, (4 pc.)3.50
- B7536 63-67 SCREW SET - soft top rear striker pins, (4 pc.)8.00
- B0568 63-67 SCREW w/washer set - soft top pad to frame, (16 pc.)4.15
- B0569 63-67 STRAP SET - soft top bow, by rear window (pr)16.95
- B7538 63-67 STRIKER SET - header, on upper windshield frame, w/o bushing (pr)58.35
- B7553 63-67 TACK STRIP KIT - soft top, correct material . 48.95
- A2379 63-67 TAG - 'warning' rear window, convertible top3.60
- B7502 63-67 TOP CANVAS - convertible, 38-40oz. vinyl material, (as original) w/sealed rear window 221.40

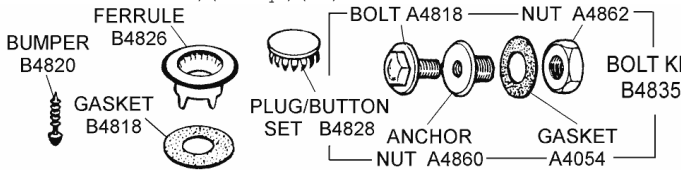
NOTE: Original type soft tops with date stamped on rear window (specify when ordering) add \$125.00.

- B7501 63-67 TOP KIT - convertible, includes OEM type top, (electro sealed rear window, 38-40 oz vinyl material), pads, straps, cords, finish strip w/tips & instruction279.95
- B7550 63-67 VIDEO - soft top installation86.15
- B7551 63-67 VIDEO - soft top installation, rental, (\$35 refundable deposit if returned within 2 weeks)52.50
- A5600 63-67 WINDOW DATING - convertible top100.00

Hard Top

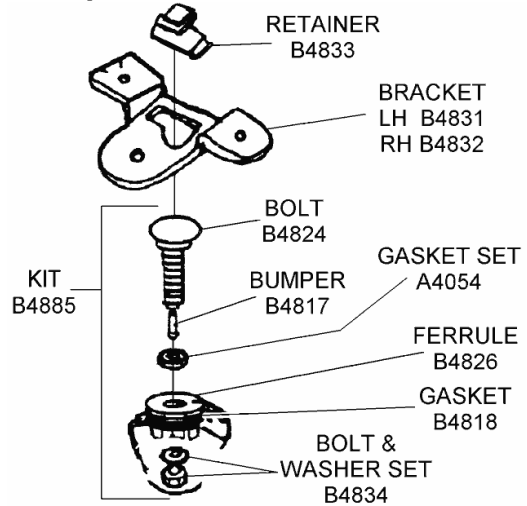


- B4856 63-67 BAG - hard top wrench3.50
- B4834 63-67 BOLT & WASHER KIT - rear hard top hold-down bolts, (4 pc.)1.00
- B4824 63-67 BOLT - carriage, hold down, on rear of hard top2.35
- A4818 63-67 BOLT - hard top hold-down, (stainless steel) (4 req.) (ea)6.90



- B4835 63-67 BOLT KIT - rear hard top hold-down, (does both sides)25.00
- B4814 63-67 BRACKET - hard top side, (weld on)26.95
- B4831 63-67 BRACKET - keyhole design, hard top, rear, LH (holds spring return bolt)25.90
- B4832 63-67 BRACKET - keyhole design, hard top, rear, RH (retains bolt springs)25.00
- B4804 63-67 BUSHING SET - front guide pin, (inserts in strikers) (pr)5.95
- B9234 63-67 CLIP - front outer weatherstrip retainer, (13 req.) (ea)3.70
- B4852 63-67 CLIP - hard top rear lower molding5.50
- B4855 63-67 CLIP KIT - front outer weatherstrip, (23 pc.)55.25
- B4853 63-67 CLIP KIT - hard top rear lower molding, (10 pc.)70.85
- B4851 63-67 CLIP KIT - rear window upper molding, (12 pc.)54.00
- A4054 63-67 GASKET SET - hard top anchor nuts, (pr)2.10
- B4818 63-67 GASKET SET - hard top, rear deck lid, ferrule2.85
- B4802 63-67 GUIDE PINS - front hard top, (pr)29.95
- B5637 63-65 HEAD LINER - hard top219.95
- B5639 66-67 HEAD LINER - hard top219.95
- G0078 63-67 HOIST - hard top, attaches to your garage or rafters, keeps your hard top up and out of the way, includes hardware & instructions39.95
- B7516 63-67 LATCH - front hard top, LH117.50
- B7517 63-67 LATCH - front hard top, RH117.50

- B4865 63-67 MOULDING - rear window lower above deck lid hump, restored75.00



- B4885 63-67 MOUNT KIT - hard top, incl. 2 ea: bolt, ferrule, rubber washer, metal washer, bumper & nut17.95
- A4860 63-67 NUT - hard top hold down anchor on deck lid, (stainless steel)6.80
- A4862 63-67 NUT - hold down on deck lid, jamb type, (ea)1.00
- B4828 63-67 PLUG/BUTTON SET - hard top ferrule on deck lid, (pr)3.40
- B4833 63-67 RETAINER - in keyhole bracket, holds bolt to mount hard top, spring steel12.95

NOTE: You must remove B4831 and B4832 brackets to install B4833 retainer.

- B4815 64L-67 RETAINER KIT - special spanner screw & nut, hard top rear window retainer, (2 req., ea) . 15.00
- B3486 63-67 SCREW SET - guide pin, hard top front, (2pc.) 2.25
- B4890 63-67 SCREW SET - hard top interior moldings7.00
- B3485 63-67 SCREW SET - lock pin, soft top rear, on top, (8 pc.)3.75
- A7548 63-67 SCREW SET - striker on windshield header tops, (4 pc.)3.50
- B7538 63-67 STRIKER SET - header, on upper windshield frame, w/o bushing (pr)58.35
- B4806 63-67 WINDOW - hard top rear window Plexiglas w/date (specify date code or serial number of car when ordering) includes shipping450.00

NOTE: Hard top windows are shipped direct from our supplier via UPS, so orders must be pre-paid.

- B4816 64L-67 WRENCH - for special spanner screw & nut, hard top rear window retainer, used with retainer kit B481510.65

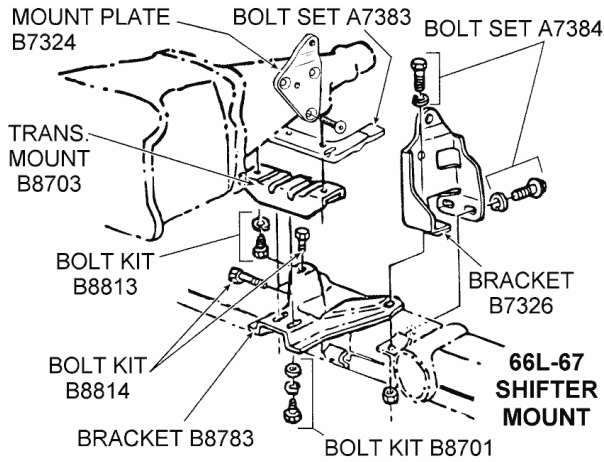


- B4830 63-67 WRENCH - hard top mounting, as original41.40

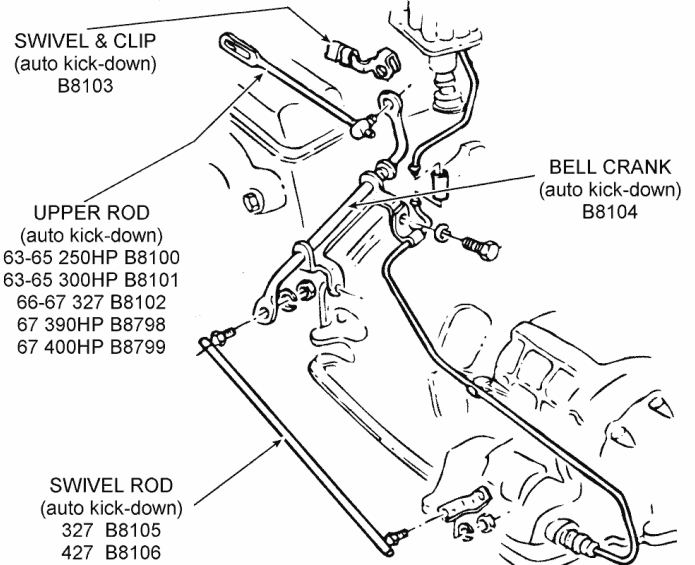
TRANSMISSION & RELATED - BORG WARNER, MUNCIE, SAGINAW & POWERGLIDE

4-Speed & Related - Muncie

- B8811 63-65 BEARING - front, 4 speed transmission main drive gear, Muncie78.25
- B8815 66-67 BEARING - front, 4 speed transmission main drive gear67.50
- B8809 63-67 BEARING - rear, 4 speed transmission, Muncie51.75
- A8707 63-67 BOLT SET - flywheel to crankshaft, (6 pc.) ...8.75
- B8817 64-67 BOLT SET - front bearing retainer, 4 speed transmission, (4 pc.)4.60
- B8632 64-67 BOLT SET - front transmission slip joint, 'U' shape7.35
- A8703 63-67 BOLT SET - pressure plate to flywheel, (6pc.) 9.95
- B8814 63-67 BOLT SET - transmission bracket to frame3.25
- B8701 63-67 BOLT SET - transmission mount to bracket, secures mounts to transmission w/'WB' headmark, (4 pc.)5.70
- B8813 63-67 BOLT SET - transmission mount to transmission, w/washers2.75
- A8731 63-67 BOLT SET - transmission to bell housing 'TR' headmark, (4 pc.)8.00



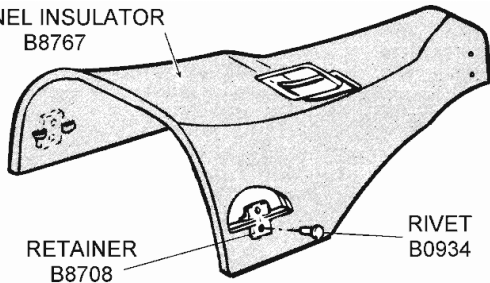
Automatic / Powerglide



B8627	63-67	BRACKET - back-up light switch, all w/4 speed	9.95
B8783	63-67	BRACKET - crossmember to transmission mount	63.25
A1814	63-67	BUSHING - transmission housing slip yoke, T10, w/o turbo	18.50
B0571	65-67	CLIP SET - hairpin, backup light switch, (5 pc.)	1.00
B8824	63-65	COUNTER SHAFT - Muncie transmission, 7/8'	24.95
B8825	66-67	COUNTER SHAFT - Muncie transmission, 1'	26.95
B0953	63	CROSSMEMBER - transmission	540.80
B0992	64-66	CROSSMEMBER - transmission	540.80
B0954	67	CROSSMEMBER - transmission	540.80
B8819	64-67	FRENCH LOCKS - front bearing retainer, 4 speed trans 2 pc	10.50
C8846	63-67	GASKET SET - Muncie 4 speed transmission	19.95

B8104	63-67	BELL CRANK ASSEMBLY - kick-down, automatic transmission	59.95
A8692	63-67	BOLT SET - automatic transmission to engine mounting, (6 pc.)	5.75
B8632	64-67	BOLT SET - front transmission slip joint, 'U' shape	7.35
A8631	63-67	BOLT SET - underpan, automatic transmission, (4 pc.)	5.95
B8834	63-65	BRACKET SET - automatic transmission cooler, (pr)	17.15
B8835	66-67	BRACKET SET - automatic transmission cooler, 327, (pr)	12.60
B8832	63-67	CLAMP SET - automatic transmission cooling line hoses, (4 pc.)	17.60
B8801	66-67	CLEVIS - powerglide kickdown adjusting rod, w/427 from rod to carburetor lever	141.00
B8895	65-67	CLIP - neutral safety switch wire, automatic transmission, 'S' shape	8.95
B8759	67	CLIP - powerglide modulator line to dipstick tube	6.00
B8833	63-67	CLIP KIT - cooling lines to front crossmember, automatic transmission w/bolts	5.40
B8760	63-67	CLIP SET - automatic trans line retainer, 'C' shape, (3 pc.)	8.50
A8741	63-67	CLIP SET/HAIRPIN TYPE - neutral safety switch/powerglide (4pc)	1.00
B0953	63	CROSSMEMBER - transmission	540.80
B0992	64-66	CROSSMEMBER - transmission	540.80
B0954	67	CROSSMEMBER - transmission	540.80
B8726	63-66E	DIPSTICK - powerglide, 327, (full handle thru Dec. 66)	75.00
B8755	66L-67	DIPSTICK - powerglide, 327, (short handle after Dec. 66)	28.00
B8745	66E	DIPSTICK - powerglide, 427, (through April 66)	23.85
B8768	66L-67	DIPSTICK - powerglide, 427, (short handle after April 66)	27.10
B8789	63-67	FILTER KIT - powerglide transmission	7.95
A8694	63-67	GASKET - automatic transmission modulator	1.50
A8701	63-67	HOSE - modulator	259.95
B8830	63-67	HOSE SET - cooling line, 327 w/automatic transmission, (pr)	21.95
B8831	63-67	HOSE SET - cooling line, 427 w/automatic transmission, (pr)	12.90
B8767	63-67	INSULATION - transmission tunnel, fiberglass w/heavy foil backing, as original	35.95
B8705	63-67	LINE - auto transmission cooling, all w/327, (stainless steel) w/3 'C' clips	77.60
B8878	64-65	LINE - transmission modulator line w/powerglide trans.	69.95
A8693	63E	MODULATOR - automatic transmission	13.65
B8829	63L-67	MODULATOR - automatic transmission	15.75
B8704	64-67	MOUNT - automatic transmission	11.35
B8836	63-67	MOUNT KIT - automatic transmission cooler bracket, 327, (14 pc.)	9.00
B8762	66-67	PIPE - transmission cooling inlet, lower position on 427 radiator, stainless steel	12.10
B8708	63-67	RETAINER & RIVET SET - transmission tunnel insulation, (12 pc.)	10.95
B8862	63-64	ROD & SWIVEL - automatic transmission neutral safety switch	21.90
B8100	63-65	ROD - kick-down, automatic trans., upper, 250hp	31.55
B8101	63-65	ROD - kick-down, automatic trans., upper, 300hp	41.40

TUNNEL INSULATOR B8767



B8767	63-67	INSULATION - transmission tunnel, fiberglass w/heavy foil backing, as original	35.95
B8703	64-67	MOUNT/CUSHION - 3 & 4 speed transmission	14.60
B8889	63-67	PLUG - drain, 4 speed transmission, magnetic	7.95
B8795	63-65	REBUILD KIT - Muncie trans (new seals, bearings, gaskets, syncros, counter shaft, shims & small parts) (7/8' cluster gear c/shaft)	170.70
B8702	66-67	REBUILD KIT - Muncie trans (new seals, bearings, gaskets, syncros, counter shaft, shims & small parts) (1' cluster gear c/shaft)	189.95
B8896	63-67	RETAINER & KEEPER KIT - synchronizer, Muncie	6.50
B8708	63-67	RETAINER & RIVET SET - transmission tunnel insulation, (12 pc.)	10.95
B8791	63-67	RETAINER - front bearing, Muncie 4 speed transmission	65.00
B8826	63L-65	RING KIT - synchronizer, w/ 7/8' countershaft	14.95
B8827	66-67	RING KIT - synchronizer, w/ 1' countershaft	14.95
B8624	64-67	ROD - back-up lamp switch	8.95
B8800	66-67	ROD - trans. kick down, lower, w/427 & powerglide, connects bell crank to transmission arm, includes lock nut & washers	35.45
B8894	64-67	SCREW SET - back-up lamp switch mounting	1.45
B8636	63-67	SHIELD - back-up light switch, w/4 speed	9.00
B8756	64-67	SHIFT ARM - mounts on fork arms on outside of transmission Muncie 4 speed, (3 pc.)	27.25
B8711	63-67	SLIP YOKE W/U BOLTS - transmission, rear 26 spline, fine	159.95
B8784	65	SMALL PARTS KIT - needle bearings, shims, snap rings, (included in B8795)	27.50
B8785	66-67	SMALL PARTS KIT - needle bearings, shims, snap rings, (included in B8702)	27.50
B8625	63-67	SWITCH - back-up lamp, w/4 speed	61.65
B8898	63L-67	TRANSMISSION - 4 speed Muncie, rebuilt, not correctly dated specify close or wide ratio	1,495.00

B8102 66-67	ROD - kick-down, automatic trans., upper, 327hp	42.05
B8105 63-67	ROD - kick-down, automatic trans., upper, swivel, 327 hp	27.35
B8106 63-67	ROD - kick-down, automatic trans., upper, swivel, 427hp	27.35
B8798 66-67	ROD - kick-down, transmission, upper, 427/390hp w/PG	90.00
B8799 67	ROD - kick-down, transmission, upper, 427/396hp w/PG 3x2	90.00
B8863 65-67	SCREW SET - neutral safety switch, automatic transmission, (2 pc.)	1.20
B8710 63-64	SLIP YOKE - drive shaft, transmission, 16 spline, course	127.85
B8711 65-67	SLIP YOKE - drive shaft, transmission, 26 spline, fine	159.95
B8837 66-67	STUD - auto swivel, (on carburetor)	11.30
B7303 65-67	SWITCH - neutral safety, back up light, automatic transmission	200.95
B8103 63-67	SWIVEL - automatic trans. kick-down rod, 327, w/clip	5.90
B8828 63-67	TAIL SHAFT HOUSING - automatic transmission, 5 hole shifter mount, used	CALL
B2497 63-67	TRANSMISSION COOLER - automatic trans	84.50
B8757 63-67	TUBE - powerglide dipstick w/bracket w/327	35.45
B8709 63-67	UNDER PAN - auto trans., flywheel/converter inspection, except 427, plastic replacement	24.60

Borg Warner T-10 - 4 Speed

A8799 63E	BEARING - main or rear, 4 speed Borg Warner T-10 transmission	47.60
A8763 63E	COUNTER SHAFT - Borg Warner T-10 transmission	17.95
B0953 63	CROSSMEMBER - transmission	540.80
C8847 63E	GASKET SET - Borg Warner T-10 transmission	32.95
B8767 63E	INSULATION - transmission tunnel, fiberglass w/heavy foil backing, as original	35.95
A8725 63E	REBUILD KIT - T-10 transmission, (new seals bearings, gaskets, shims and small parts)	169.95
A8788 63E	RETAINER & KEEPER KIT - synchronizer	5.35
B8708 63E	RETAINER & RIVET SET - transmission tunnel insulation, (12 pc.)	10.95
A8762 63E	RING KIT - synchronizer, Borg Warner T-10 trans., (4 pc.)	16.25
A1816 63E	SEAL - transmission housing slip yoke, T10	10.00
B8710 63E	SLIP YOKE - drive shaft, transmission, BW-T10 trans, (16 spline)	127.85
A8729 63E	SMALL PARTS KIT - needle bearings, shims, snap rings, (included in part A8725)	32.95
A8840 63E	TRANSMISSION - 4 speed Borg Warner T10, rebuilt, not correctly dated, specify close or wide ratio	1,495.00

Identification Tags - Manual Transmissions

Embossed identification tags mount on side of transmissions, under lower side front cover bolt.

B8884 63E	TAG - #3819107W, T-10, 3 speed / before #12000	29.95
B8839 63E	TAG - #3839724W, T-10, 4 speed, 250-300hp, before #12000	29.95
B8840 63E	TAG - #3839723W, T-10, 4 speed, 340-360hp, after #12000	29.95
B8841 63L	TAG - #3839715, Muncie 3 speed, after #12000	29.95
B8842 63L	TAG - #3831703, Muncie 4 speed, 250-300hp, after #12000	29.95
B8843 63L	TAG - #3831701, Muncie 4 speed, 340-360hp, after #12000	29.95
B8844 64	TAG - #3855707, 3 speed	29.95
B8846 64	TAG - #3839601, 4 speed, 365-375hp	29.95
B8845 64	TAG - #3839602, 4 speed, 250-300hp	29.95
B8847 65	TAG - #3855907, 3 speed, 250hp	29.95
B8848 65	TAG - #3857580, 4 speed, M20, 250-300hp	29.95
B8850 65	TAG - #3857579, 4 speed, M20, 350hp	29.95
B8849 65	TAG - #3857573, 4 speed, M20, 365-375hp	29.95
B8851 65	TAG - #3879986, 4 speed, M22, 365-375hp	29.95
B8852 65	TAG - #3857581, 4 speed, M20, 396/425hp	29.95
B8856 65-66	TAG - #3879987, 4 speed, M22, 425hp	29.95
B8853 66	TAG - #3860097, 3 speed, 300hp	29.95
B8854 66	TAG - #3870354, 4 speed, M20, 300/350/390hp	29.95
B8855 66	TAG - #3880853, 4 speed, M21, 350/390/425hp	29.95
B8857 67	TAG - #3860097, 3 speed, 300hp	29.95
B8858 67	TAG - #3870354, 4 speed, M20, 300/350/390hp	29.95
B8859 67	TAG - #3880853, 4 speed, M21, 350hp	29.95
B8860 67	TAG - #3880855, 4 speed, M21, 390/400/435hp	29.95
B8861 67	TAG - #3879987, 4 speed, M22, 430hp, L88	29.00

Saginaw 3 Speed

B8866 63-67	BEARING - Saginaw 3 speed transmission, (main drive)	78.25
-------------	--	-------

C8845 63-67	GASKET SET - Saginaw 3 speed transmission	17.95
B8865 66-67	REBUILD KIT - Saginaw 3 speed transmission	159.95

Speedo Gears

B0574 63-67	FITTING - Muncie, speedo gears in transmission	13.65
A8771 63-67	GEAR - odometer in transmission, 8 tooth, metal, 3:08-3:55 ratio rear ends, recond.	36.50
A8791 63-67	GEAR - speedo drive in transmission, 3:08, used w/3:70-4:11 rear end gear ratios, (18 tooth, brown)	9.95
A8792 63-67	GEAR - speedo drive in transmission, 3:36, (20 tooth, blue)	8.95
A8793 63-67	GEAR - speedo drive in transmission, 3:55, (21 tooth, red)	8.95
A8794 63-67	GEAR - speedo drive in transmission, 3:70, (22 tooth, green)	8.95
A8795 63-67	GEAR - speedo drive in transmission, 4:11, (24 tooth, yellow)	9.95
B8823 63-67	GEAR - speedo drive in transmission, 4:11, (25 tooth, orange)	9.95
A8796 63-67	GEAR - speedo drive in transmission, 3:70-4:11 ratios (8 tooth, metal)	31.45
A8770 63-67	GEAR - Speedo in transmission (4:56-4:88) (reconditioned)	69.95
B0572 63-67	RETAINER & BOLT - speedo gear fitting	4.40
B0573 63-67	SEAL - speedo gear fitting	3.40

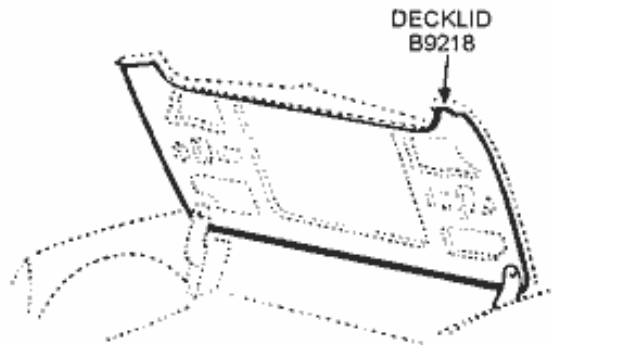
NOTE: All transmissions with ratios 3:08 - 4:11 require a metal and plastic speedo gear.

Tunnel

B8767 63-67	INSULATION - transmission tunnel, fiberglass w/heavy foil backing, as original	35.95
B8864 63-67	RIVET SET - transmission tunnel insulation retainer, (8 pc.)	2.00

WEATHERSTRIP

Deck Lid



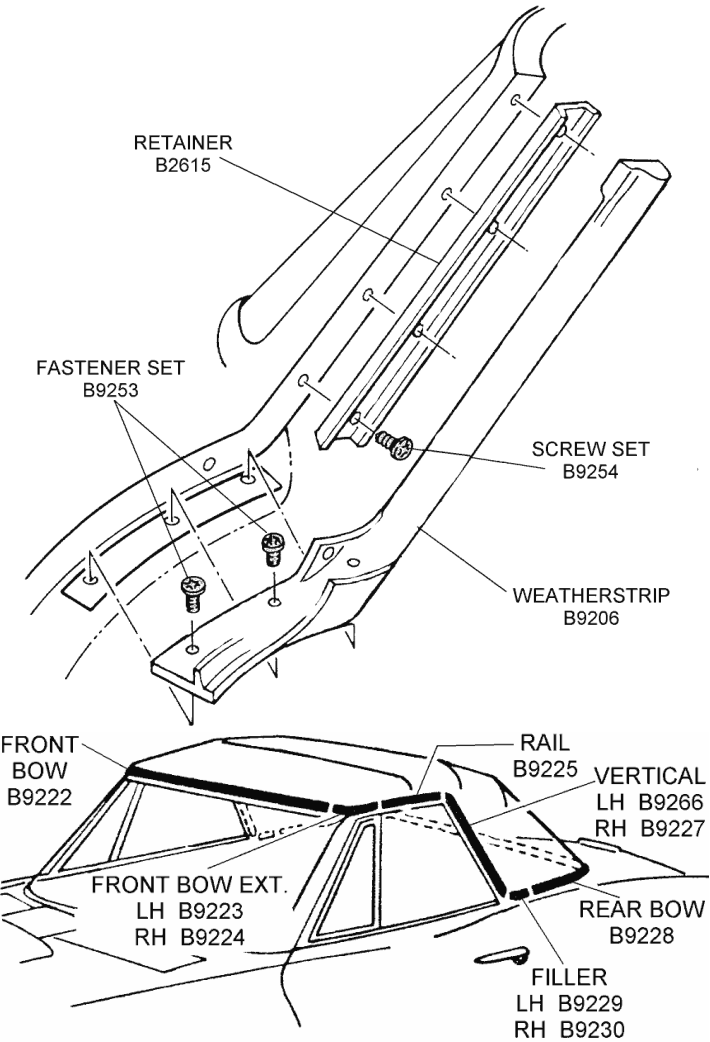
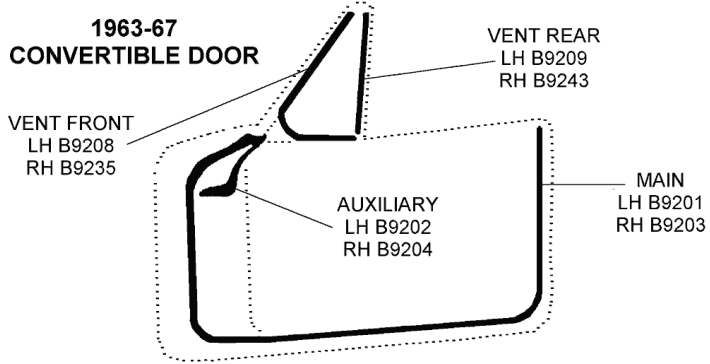
B9218 63-67	WEATHERSTRIP - deck lid, (correct)	35.20
-------------	--	-------

B9240	HOOD LEDGE	B9220	WINDSHIELD	B9228	REAR BOW	B2617	STOP SET
B9206	PILLAR	A2612	REAR WINDOW LINER	B9202	DOOR AUXILIARY LH	B9204	DOOR AUXILIARY RH
B9200	FASTENER KIT	B2614	FRONT WINDOW LINER				



Door: Convertible

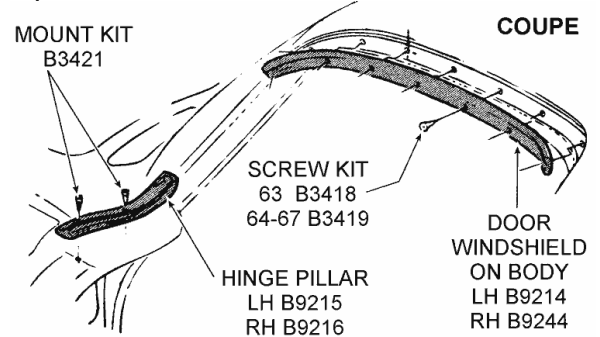
1963-67
CONVERTIBLE DOOR



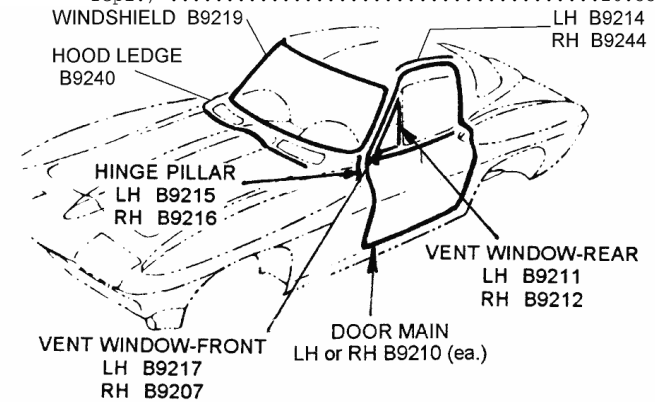
B9241	67	FASTENER KIT - dog leg weatherstrip clip, metal, (8 pc.)	4.50
B9253	63-67	FASTENER KIT - windshield post & hinge pillar weatherstrip	7.85
B2615	63-67	RETAINER - windshield pillar weatherstrip / stainless steel (2 req. ea.)	30.65
B9200	63-66	RETAINER SET - weatherstrip clip, (plastic) (8 pc.)	5.75
B9255	63-67	RIVET SET - outer window seals, (8 pc.)	2.25
B3497	63-67	SCREW SET - door main weatherstrip end & window track, convertible, (4 pc.)	4.70
B9256	63-67	SCREW SET - outer window seal moldings, (12 pc.)	4.10
B9254	63-67	SCREW SET - windshield pillar weatherstrip retainer, (8 pc.)	6.30
B2629	63-67	SEAL SET - convertible, outer window, (pr)	20.60
B2617	63-67	STOP SET - w/screws, front upper window, (pr)	19.25
B9202	63-67	WEATHERSTRIP - door auxiliary, LH (63 repl.)	20.55
B9204	63-67	WEATHERSTRIP - door auxiliary, RH (63 repl.)	20.55
B9201	63-67	WEATHERSTRIP - door main, LH	65.20
B9203	63-67	WEATHERSTRIP - door main, RH	65.20
B9208	63-67	WEATHERSTRIP - front vent window, LH	58.50
B9235	63-67	WEATHERSTRIP - front vent window, RH	58.50
B9209	63-67	WEATHERSTRIP - rear/vertical vent window, LH	27.75
B9243	63-67	WEATHERSTRIP - rear/vertical vent window, RH	27.75

B9252	63-67	WEATHERSTRIP KIT - windshield pillar, w/fasteners includes B9206 (4 pc), B2615 & B9254	144.10
B9206	63-67	WEATHERSTRIP KIT - windshield post & hinge pillar, (pr)	72.45

Door: Coupe

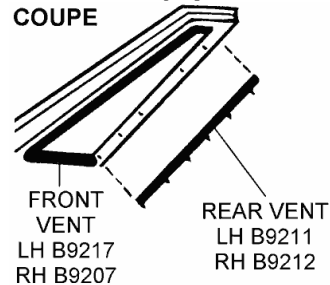


B3421	63-67	MOUNT KIT - hinge pillar weatherstrip, coupe, (6 screws & 2 rivets)	5.00
B9200	63-66	RETAINER SET - weatherstrip clip, (plastic) (8 pc.)	5.75
B2643	63-67	RIVET - vent window hinge	1.25
B9255	63-67	RIVET SET - outer window seals, (8 pc.)	2.25
B9256	63-67	SCREW SET - outer window seal moldings, (12 pc.)	4.10
B3418	63	SCREW SET - weatherstrip on body above door, coupe, (14 pc.)	12.10
B3419	64-67	SCREW SET - weatherstrip on body above door, coupe, (14 pc.)	10.35
B9213	63-67	SEAL KIT - outer window, (pr)	24.00
B0576	63	WEATHERSTRIP - door auxiliary (pr)	24.85
B9202	63-67	WEATHERSTRIP - door auxiliary, LH (63 repl.)	20.55
B9204	63-67	WEATHERSTRIP - door auxiliary, RH (63 repl.)	20.55



B9259	63-67	WEATHERSTRIP - door main, LH, w/correct molded corner	20.50
B9260	63-67	WEATHERSTRIP - door main, RH, w/correct molded corner	20.55
B9217	63-67	WEATHERSTRIP - front, vent window, LH	53.55
B9207	63-67	WEATHERSTRIP - front, vent window, RH	53.55
B9215	63-67	WEATHERSTRIP - hinge pillar, LH	19.00

COUPE



B9211	63-67	WEATHERSTRIP - rear, vent window, LH	27.80
B9212	63-67	WEATHERSTRIP - rear, vent window, RH	27.80
B9214	63-67	WEATHERSTRIP - roof ledge, on body above door, LH	82.65
B9244	63-67	WEATHERSTRIP - roof ledge, on body above door, RH	82.65
B9210	63-67	WEATHERSTRIP SET - door mains, w/correct molded corner, (pr)	44.00

Hood

B9210 63-67	BUMPER SET - hood stop bolt adjuster, rubber, (pr)	4.95
B9257 67	PIN SET - hood ledge weatherstrip, push-in type, (pr)	1.50
B9240 63-67	WEATHERSTRIP - hood ledge	8.75

Top: Convertible / Individual Weatherstripping, Retainers & Kits

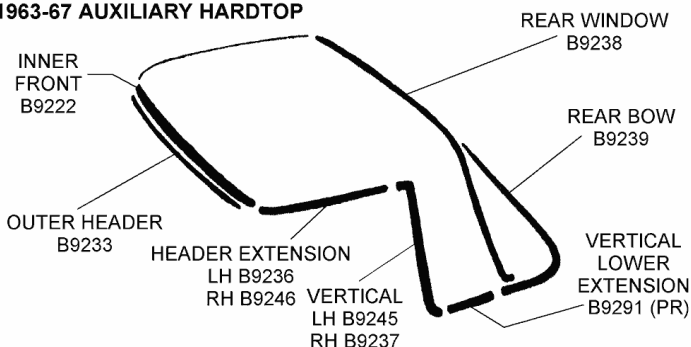
B9231 63-67	CORD - rear bow hold-in	5.00
B9290 63-67	FASTENER KIT - convertible top weatherstrip, (54 pc.)	14.70
B9225 63-67	WEATHERSTRIP - center side rail above window - LH or RH	27.00
B9226 63-67	WEATHERSTRIP - center/vertical side rail behind window, LH	32.65
B9227 63-67	WEATHERSTRIP - center/vertical side rail behind window, RH	32.65
B9224 63-67	WEATHERSTRIP - front bow ext. & side rail RH	51.75
B9223 63-67	WEATHERSTRIP - front bow ext. & side rail, LH	51.75
B9222 63-67	WEATHERSTRIP - front header bow, inner	14.00
B9228 63-67	WEATHERSTRIP - rear bow	19.60
B9229 63-67	WEATHERSTRIP - rear bow filler extension, LH	22.00
B9230 63-67	WEATHERSTRIP - rear bow filler extension, RH	22.00
B9232 63-67	WEATHERSTRIP KIT / SOFT TOP - includes: B9222, 23, 24, 26, 27, 28, 29, 30, & 1 pr B9225 / 10 pc.	229.00

Top: Hard Top

1963-67 HARD TOP WEATHERSTRIP KITS			
B9295	"STANDARD" KIT		
B9242	"SUPER" KIT		
B9234	CLIP - front outer weatherstrip retainer	13	
B9291	WEATHERSTRIP - extension, lower horizontal (pr)	1	1
B9236	WEATHERSTRIP - front bow extension & horizontal side rail, LH	1	1
B9246	WEATHERSTRIP - front bow extension & horizontal side rail, RH	1	1
B9233	WEATHERSTRIP - front header, outer	1	1
B9222	WEATHERSTRIP - front header bow, inner	1	1
B9228	WEATHERSTRIP - rear bow	1	1
B9238	WEATHERSTRIP - rear window channel	1	
B9237	WEATHERSTRIP - vertical, RH	1	1
B9245	WEATHERSTRIP - vertical, LH	1	1

B9234 63-67	CLIP - front outer weatherstrip retainer, (13 req.) (ea)	3.70
B9291 63-67	EXTENSION - hard top, lower horizontal, (pr)	70.60
B9293 63-67	FASTENER KIT - hard top weatherstrip, (36 pc.) (no clips)	17.40
B9258 63-67	SCREW SET - rear hard top lower molding & weatherstrip	8.25
B9236 63-67	WEATHERSTRIP - front bow extension & horizontal [over window] side rail, LH	67.60
B9246 63-67	WEATHERSTRIP - front bow extension & horizontal [over window] side rail, RH	67.60
B9222 63-67	WEATHERSTRIP - front header bow inner	14.00
B9233 63-67	WEATHERSTRIP - front header bow outer	20.00

1963-67 AUXILIARY HARDTOP



B9295 63-67	WEATHERSTRIP KIT / HARD TOP - STANDARD / SEE TABLE FOR CONTENTS	319.00
-------------	---	--------

B9242 63-67	WEATHERSTRIP KIT / HARD TOP - SUPER / SEE TABLE FOR CONTENTS	374.35
B9245 63-67	WEATHERSTRIP - hard top vertical [at rear of side window], LH	67.15
B9237 63-67	WEATHERSTRIP - hard top vertical [at rear of side window], RH	67.15

NOTE: 63-67 Hard top vertical w/strip is vertical piece only, does not include horizontal extension on top - B9291 is required.

B9239 63-67	WEATHERSTRIP - rear bow	47.50
B9238 63-67	WEATHERSTRIP - rear window channel	42.55

Weatherstrip Adhesives & Related

G0001 63-67	ADHESIVE - weatherstrip, 3M Super, black, (5 oz.)	8.45
G0009 63-67	ADHESIVE - weatherstrip, 3M Super, yellow, (5 oz.)	7.45

NOTE: GM originally used yellow adhesive.

B9205 63-67	CLIP - weatherstrip push-in type, (ea)	1.00
A9199 63-67	RELEASE AGENT - weatherstrip adhesive, (3M brand)	11.05
B2924 63-67	SEAL KIT - outer splash shield w/strip, (pr)	10.95
A0036 63-67	SILICONE COMPOUND - 3 oz tube	7.95

Weatherstripping Kits - Body

1963-67 WEATHERSTRIP KITS			
B9250	63-67	CONVERTIBLE	
B9251	63-67	COUPE	
B9201		DOOR MAIN - LH	1
B9203		DOOR MAIN - RH	1
B9202		DOOR AUX. - LH	1 1
B9204		DOOR AUX. - RH	1 1
B9206		WEATHERSTRIP POST - convertible (pr)	1
B9218		DECK LID	1
B9240		HOOD LEDGE	1 1
B9210		DOOR MAIN - coupe (pr)	1
B9214		BODY - above door, LH	1
B9244		BODY - above door, RH	1
B9215		HINGE PILLAR - LH	1
B9216		HINGE PILLAR - RH	1
B9200		RETAINER SET	1

B9250 63-67	WEATHERSTRIP KIT / BODY - convertible / SEE CHART FOR DETAILS	260.00
B9251 63-67	WEATHERSTRIP KIT / BODY - coupe / SEE CHART FOR DETAILS	224.95

Windshield & Rear Window[s]

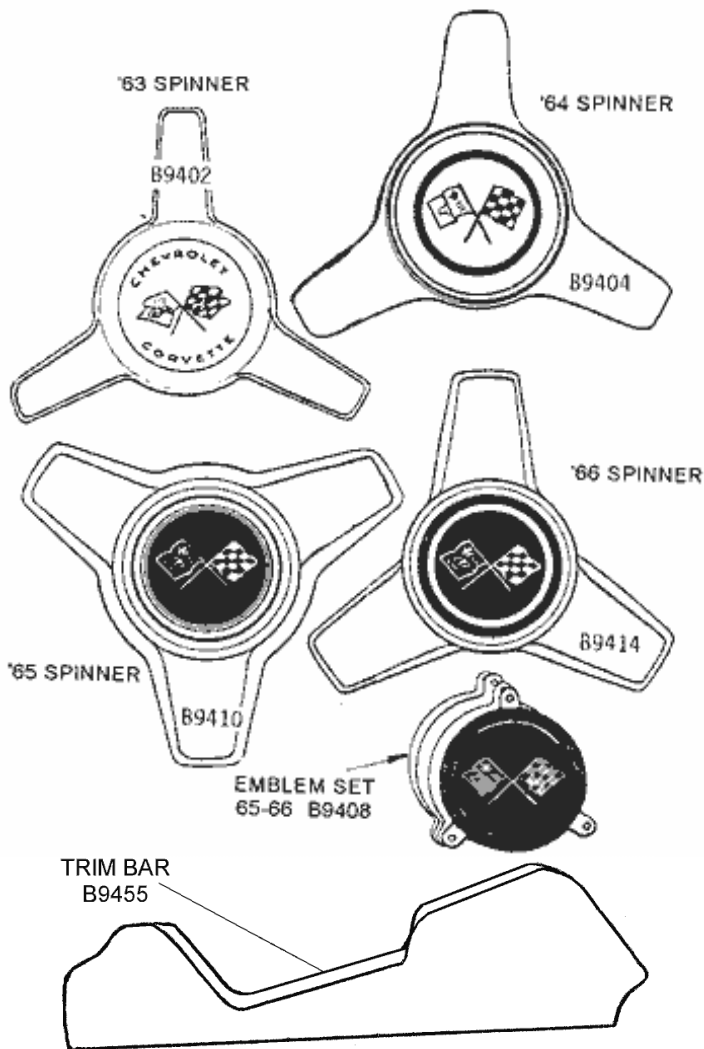
B9220 63-67	WEATHERSTRIP - convertible, windshield channel	51.80
B9219 63-67	WEATHERSTRIP - coupe, windshield channel	37.60
B9221 63	WEATHERSTRIP KIT - coupe, rear split window, (pr)	82.35

WHEELS, TIRES & HUBCAPS

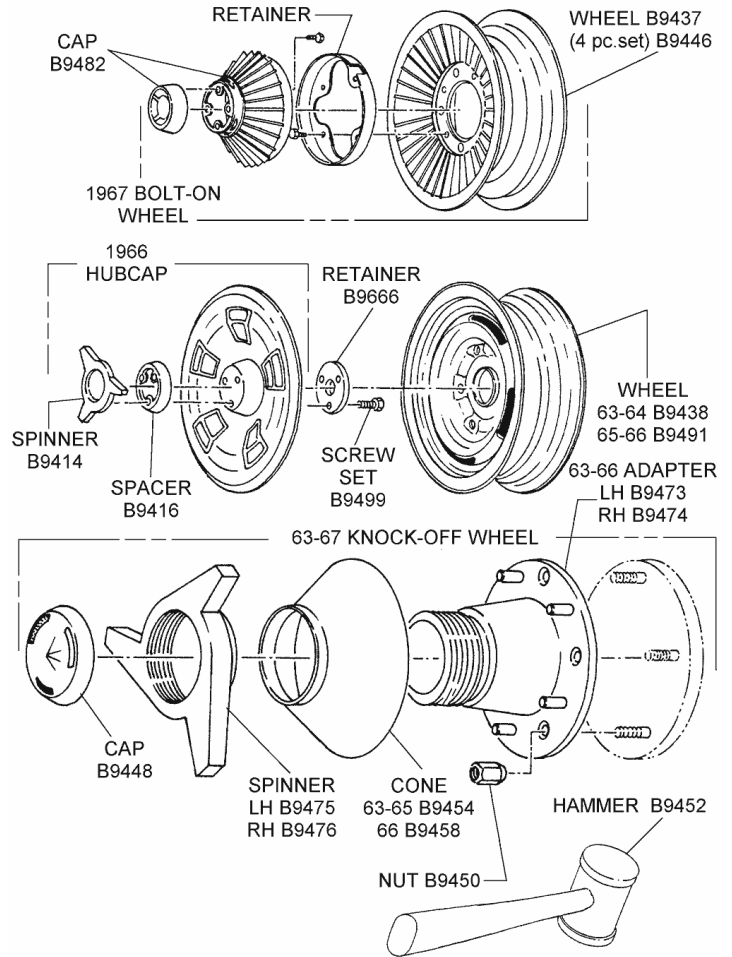
Hubcaps

S8054 63-67	CAP - grease, front wheel / replacement	4.95
S8019 63-67	CAP SET - grease, front wheel w/dimple, correct, (pr)	24.85
B9418 67	CAP - rally wheel, w/o ornament	52.90
B0481 63-66	CAP SET - valve stem, correct raised dimple dill # `627, (5 pc.)	2.10
B9411 67	CLIP SET - bolt on wheel centers	16.95
B9408 65-66	EMBLEM SET - hub cap spinner, on checkered flag, upper LH corner is white, (ea)	37.95
B9409 65-66	EMBLEM SET- hub cap spinnerS, on checkered flag, upper LH corner is black, (4PC)	37.95
B9429 63E	HUB CAP - frosted, w/o trim, used	CALL
B9433 63L	HUB CAP - chrome, w/o trim, used	CALL
B9435 64E	HUB CAP - chrome, w/o spinner, used	CALL

1963-66 HUBCAP SPINNERS



Knock-Off & Bolt-On Wheels



B9441	64L	HUB CAP - frosted, w/o spinner, used	CALL
B9443	65	HUB CAP - w/o spinner, used	CALL
B9445	66	HUB CAP - w/o spinner, used	CALL
B9449	65	HUB CAP SET W/SPINNERS - 4pc	549.95
A9461	63-67	LUG NUT SET - steel wheels, (4 wheels, 20 pc.)	14.45
B9420	67	ORNAMENT - rally wheel cap, disc brake	20.30
B9407	67	ORNAMENT SET - (4 B9420)	69.35
B4267	63-64	PAINT - frosted hubcaps	9.95
B9430	65-66	PAINT - hubcap, dark grey, aerosol spray	8.75
B9494	63	RETAINER - hub cap spinner	5.85
B9464	64	RETAINER - hub cap spinner	5.80
B9665	65	RETAINER - hub cap spinner	7.10
B9666	66	RETAINER - hub cap spinner	7.10
B9406	63	SCREW SET - hub cap bars, (6 pc., does 1 hub cap)	6.60
B9498	63-65	SCREW SET - hub cap spinners, (12 pc.)	10.60
B9499	66	SCREW SET - hub cap spinners, (12 pc.)	8.75
B3437	67	SCREW SET - rally wheel center cap ornament, (4 pc.)	5.50
B9423	67	SCREW SET - rally wheel center cap ornaments, (4 caps, 16 pc.)	21.95
B9416	66	SPACER - chrome / hubcap spinner [4 required/each]	28.25
B9414	66	SPINNER - hubcap, w/emblem, (ea)	45.00
B9402	63	SPINNER SET - hubcaps - 4pc	133.85
B9404	64	SPINNER SET - hubcaps - 4pc	133.85
B9410	65	SPINNER SET W/EMBLEMS - hubcaps - 4pc	164.75
B9479	66	SPINNER SET W/EMBLEMS - hubcaps - 4pc	164.75
S8017	63-67	STATIC COLLECTOR - inserts in front hub grease cap, (2 required, ea)	16.55
B9455	63	TRIM BAR - hub cap, (6 req.) (ea)	24.95
B9457	63	TRIM BAR SET - hub cap, (6 pc., 1 cap set)	144.95
B9451	67	TRIM RING - rally wheel, correct outward appearance, improved clip design, GM	73.95
B9427	67	TRIM RING SET - rally wheel, correct outward appearance, (4 pc.)	124.95

B9473	63-66	ADAPTER - knock-wheel LH	95.95
B9474	63-66	ADAPTER - knock-wheel RH	95.95
B9482	67	CAP - bolt-on wheel starburst center, w/emblem and hardware	234.90
B9448	63-66	CAP - knock-off spinner center	19.95
B9496	67	CENTER - starburst	96.95
B9452	67	CLIP SET - center cap / bolt on wheels, 4 pc / does 1 wheel	16.95
B9454	63-65	CONE - knock-off wheel, chrome	32.95
B9458	66	CONE - knock-off wheel, brushed chrome	32.95
B9460	66	CONE - knock-off wheel, stainless, brushed chrome	39.95
B9417	63-64	HAMMER - knock-off wheel spinners, welded head on outside	61.95
B3329	65-66	HAMMER - knock-off wheel spinners, welded on inside	61.95
B9462	63-66	HARDWARE SET - knock-off wheel spinner lock pin, (4 pc.)	11.95
B9489	63-67	LUG NUT SET - bolt on wheels, 20 pc	38.70
B9450	63-66	LUG NUT - knock-off wheel	3.25
B9447	63-66	LUG NUT SET - knock off wheels, 20 pc	49.00
B9430	65-67	PAINT - knock off or bolt on wheels, dark grey aerosol spray	8.75
B9495	67	RETAINER - bolt on wheel starburst center	34.00
B9483	67	SCREW SET - bolt-on wheel center cap, (1 kit req. per wheel) (17 pc.)	14.25
B9475	63-66	SPINNER - knock-off wheel, LH	116.00
B9476	63-66	SPINNER - knock-off wheel, RH	116.00
B9421	63-67	STEM & CAP SET - tire valve, OEM, 63-67 aluminum wheels, 63 - 67 steel wheels, (set of 5)	7.85
B9485	63-64	WHEEL - knock-off, (ea)	419.95
B9484	65-66	WHEEL - knock-off, (ea)	365.95
B9477	63-64	WHEEL - direct bolt on, knock off style	419.95
B9478	65-66	WHEEL - direct bolt on, knock off style	419.95
B9437	67	WHEEL - bolt-on	419.95
B9486	63-64	WHEEL KIT - direct bolt-on knock-off w/lugs, (set of 4)	2,295.00
B9487	65	WHEEL KIT - direct bolt-on knock-off w/lugs, (set of 4)	2,295.00
B9488	66	WHEEL KIT - direct bolt-on knock-off w/lugs, (set of 4)	2,295.00

NOTE: These new direct bolt on knock-off wheels are similar in design to 1967 bolt-on wheels but feature the 1963-66 knock-off wheel spinner. They are by design safer than the original, true knock-off design wheels.

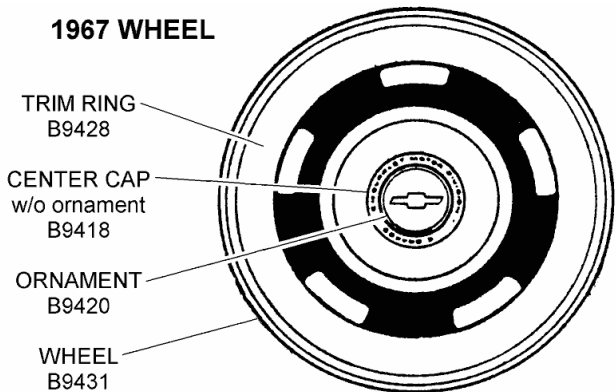
- B9440 63-64 WHEEL SET - knock-off, includes 4 wheels, 4 adapters, 4 spinners assemblies, w/lug nuts & hammer2,295.00
- B9442 65 WHEEL SET - knock-off, includes 4 wheels, 4 adapters, 4 spinners assemblies, w/lug nuts & hammer2,295.00
- B9444 66 WHEEL SET - knock-off, includes 4 wheels, 4 adapters, 4 spinners assemblies, w/lug nuts & hammer2,295.00
- B9446 67 WHEEL SET - bolt-on, includes 4 wheels, 4 adapters, 4 center cap assemblies, (does not include lug nuts, order #B9489)2,295.00
- B9999 63-67 WRENCH - 3 bar knock of spinner, w/hammer . .279.00

Tires

- G9801 63-67 DRESSING - tire, specially formulated to produce a smooth black even appearance on tires side walls, 23 oz. spray6.50
- B9405 65-66 TIRE - black wall, 7:75x15, Goodyear 'Power Cushion', (ea)165.00
- B9501 65-67 TIRE - black wall, 7:75x15, BF Goodrich, (ea)145.00
- A9424 63-64 TIRE - 1' white wall, 670x15, Goodrich, (ea)169.95
- A9422 63-64 TIRE - 1' white wall, 670x15, Goodyear, (ea)169.95
- A9466 63-64 TIRE - 1' white wall, 670x15, US Royal, (ea)165.00
- B9500 65 TIRE - 1' white wall, 7:75x15, BF Goodrich, (ea)169.00
- B9504 65-67 TIRE - 7/8' white wall, 7:75x15, Firestone, (ea)169.00
- B9505 66-67 TIRE - 5/8' white wall, 7:75x15, BF Goodrich, (ea)169.00
- B9503 65-67 TIRE - 5/8' white wall, 7:75x15, Firestone, (ea)169.00
- B9400 65-66 TIRE - 5/8' white wall, 7:75x15, Goodyear 'Power Cushion', (ea)169.00
- B9506 65-66 TIRE - 5/8' gold line, 7:75x15, Firestone, (ea)219.00
- B9470 65-66 TIRE - 5/8' gold line, 7:75x15, Goodrich, (ea)219.00
- B9401 65-66 TIRE - 5/8' gold line, 7:75x15, Goodyear 'Power Cushion', (ea)219.00
- B9403 67 TIRE - 5/8' red line, 7:75x15, Goodyear 'Power Cushion', (ea)236.00
- B9472 67 TIRE - 5/8' red line, 7:75x15, Goodrich, (ea)229.95
- G9800 63-67 WHITEWALL RESTORER - restores white sidewall tires to their original white luster, removes scuffs & grease, 32 oz.4.95

Wheels

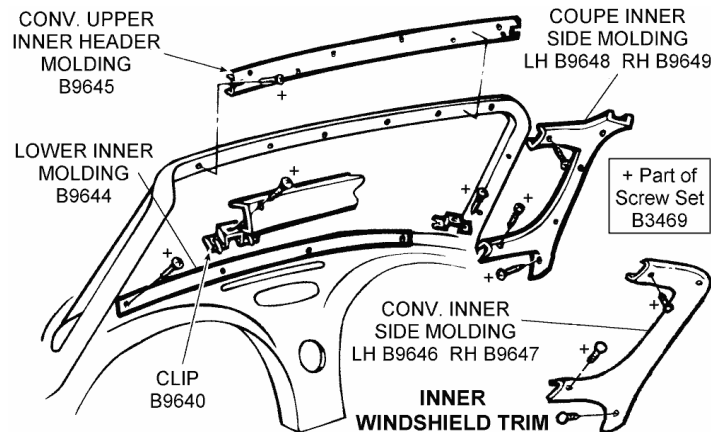
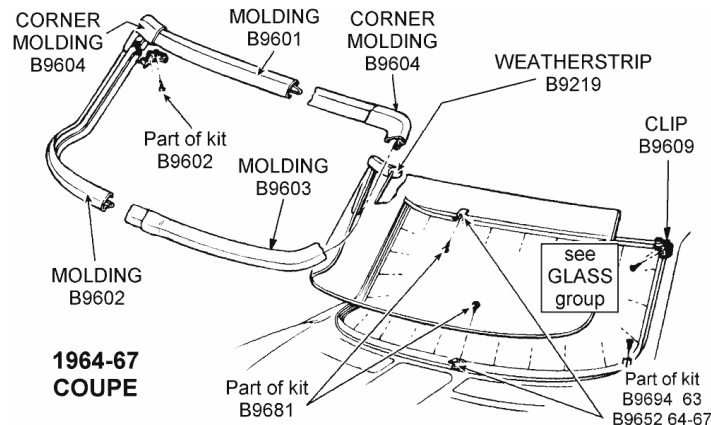
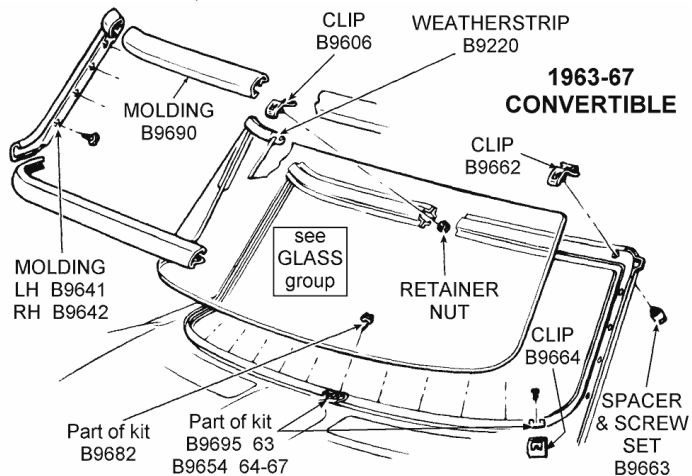
1967 WHEEL



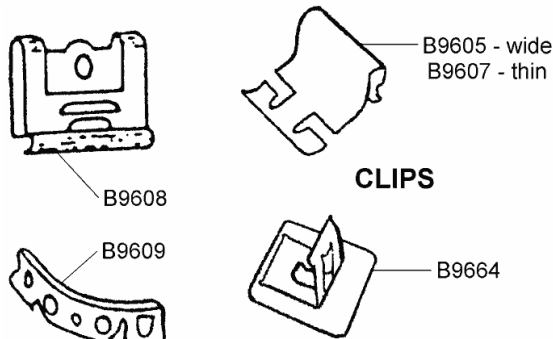
- B9419 63-67 CAP SET - valve stem, correct raised dimple, dill # 627, (5 pc.)2.55
- A9406 63-67 LUG NUT - (w/o KO wheels)1.00
- A9461 63-67 LUG NUT SET - steel wheels, (4 wheels, 20 pc.)14.45
- B9434 67 PAINT - rally wheel paint aerosol can6.50
- B9421 63-67 STEM & CAP SET - tire valve, OEM, 63-67 aluminum wheels, 63 - 67 steel wheels, (set of 5)7.85
- B9459 63-64 WHEEL - 15x5.5, steel, (recond. original) ...CALL
- B9438 63-64 WHEEL - 15x5.5, standard steel, (replacement)137.95
- B9491 65-66 WHEEL - 15x5.5, standard steel, (recond. original)CALL
- NOTE: B9459 and B9491 are available dated - CALL.**
- B9299 65-66 WHEEL - 15x6, replacement, recond.104.95
- B9431 67 WHEEL - rally, 15x6, (replacement, universal bolt pattern)82.50
- B9492 67 WHEEL - rally, 15x6, original, recond.225.00

WINDOW TRIM & FRAME - FRONT & REAR

Front Windshield Frame, Trim & Related



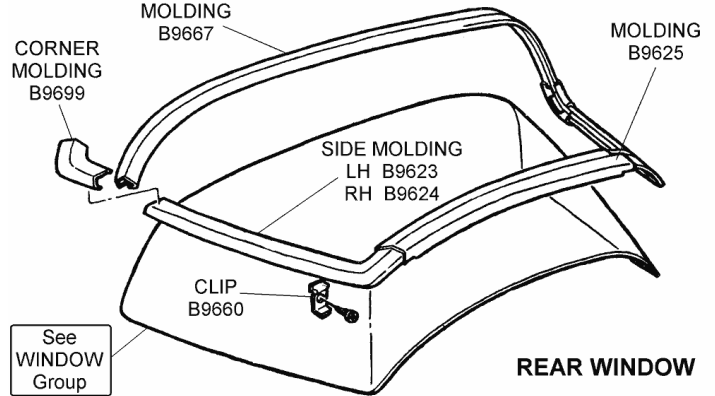
- B4804 63-67 BUSHING SET - front guide pin, (inserts in strikers) (pr)5.95
- G2600 63-67 CAULK - windshield clip screw seam, strip type6.45



- B9664 64-67 CLIP - convertible, lower windshield side molding, (2 req.) (ea.)15.55

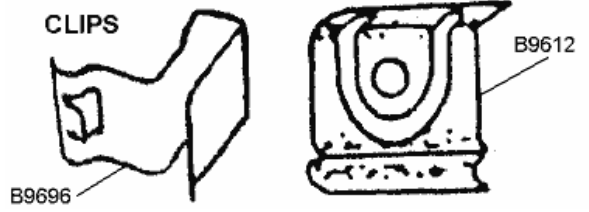
B9608	64-67	CLIP - flat, windshield molding, (24 required for coupe, 11 required for convertible) (ea)	1.75
B9640	63-67	CLIP - lower, inside windshield molding, (4 req.) (ea)	6.90
B9607	63	CLIP - thin, windshield molding, (18 required for coupe, 9 req. for convertible) (ea)	5.45
B9605	63	CLIP - wide, windshield molding, (6 req. for coupe, 4 req. for convertible) (ea)	5.45
B9695	63	CLIP KIT - convertible, windshield molding, (13 pc.)	40.35
B9694	63	CLIP KIT - coupe, windshield molding, (24 pc.)	69.00
B9654	64-67	CLIP KIT - convertible, lower windshield molding, (11 pc.)	25.50
B9652	64-67	CLIP KIT - coupe, windshield molding, (26 pc.)	62.35
B0581	64-67	CLIP SET - windshield molding coupe/upper corner	57.45
B9646	63-67	MOLDING - convertible, inner side post, LH, (original recon.)	129.95
B9647	63-67	MOLDING - convertible, inner side post, RH, (original recon.)	129.95
B9645	63-67	MOLDING - convertible, inner top windshield, (original recon.)	77.95
B9643	64-67	MOLDING - convertible, lower outer windshield above wiper grilles	168.15
B9641	63-67	MOLDING - convertible, windshield outer side post, LH, (original, used)	CALL
B9642	63-67	MOLDING - convertible, windshield outer side post, RH, (original, used)	CALL
B9690	63-67	MOULDING - convertible, windshield upper	225.00
B9604	64-67	MOLDING - coupe, corner windshield	43.00
B9648	63-67	MOLDING - coupe, inner windshield frame post, LH, (original recon.)	145.00
B9649	63-67	MOLDING - coupe, inner windshield frame post, RH, (original Recon.)	145.00
B0580	63	MOLDING - coupe, lower windshield / stainless steel	250.00
B9603	64-67	MOLDING - coupe, side windshield, LH	134.00
B9602	64-67	MOLDING - coupe, side windshield, RH	134.00
B9601	64-67	MOLDING - coupe, upper windshield	110.00
B9684	63-67	MOLDING - coupe, windshield header inner,	75.00
B9644	63-67	MOLDING - coupe/convertible, lower inner windshield above dash (used)	225.00
B9606	64-67	RETAINER - convertible windshield reveal molding, (6 req.) (ea.)	9.50
B9662	63-67	RETAINER - upper, convertible side windshield molding, (2 req.) (ea.)	12.45
B2615	63-67	RETAINER - windshield pillar weatherstrip / stainless steel (2 req. ea.)	30.65
B9661	63-67	RETAINER SET - inside lower windshield molding end, (pr)	11.75
B3469	63-67	SCREW SET - convertible, inside windshield moldings, (12 pc.)	4.35
B3468	63-67	SCREW SET - coupe, inside windshield moldings, (18 pc.)	6.00
B9682	64-67	SCREW SET - windshield molding clips, 13 pc. .	5.25
A7548	63-67	SCREW SET - striker on windshield header tops, (4 pc.)	3.50
B9681	64-67	SCREW SET - windshield molding clips, coupe, (27 pc.)	9.70
B9688	63	SCREW SET - windshield side trim to door jamb, coupe, (8 pc.)	4.45
B9663	63-67	SCREW/SPACER SET - convertible, windshield side mounting clip	8.80
B7538	63-67	STRIKER SET - header, on upper windshield frame, (pr)	58.35
A9788	63-67	TOOL - windshield removal	8.55
B9597	63-67	WINDSHIELD FRAME SECTION - center upper	308.00
B9590	63-67	WINDSHIELD FRAME SECTION - convertible / LH upper corner	379.00
B9591	63-67	WINDSHIELD FRAME SECTION - convertible / RH upper corner	379.00
B9592	63-67	WINDSHIELD FRAME SECTION - coupe / LH lower corner & side-inner	122.00
B9593	63-67	WINDSHIELD FRAME SECTION - coupe / RH lower corner & side-inner	122.00
B9594	63-67	WINDSHIELD FRAME SECTION - coupe / LH lower corner & side-outer	262.00
B9596	63-67	WINDSHIELD FRAME SECTION - coupe / RH lower corner & side-outer	262.00
B9595	63-67	WINDSHIELD FRAME SECTION - lower [CHANNEL] .	589.00

Rear Window - Coupe



G2600	63-67	CAULK - windshield clip screw seam, strip type	6.45
-------	-------	--	------

CLIPS

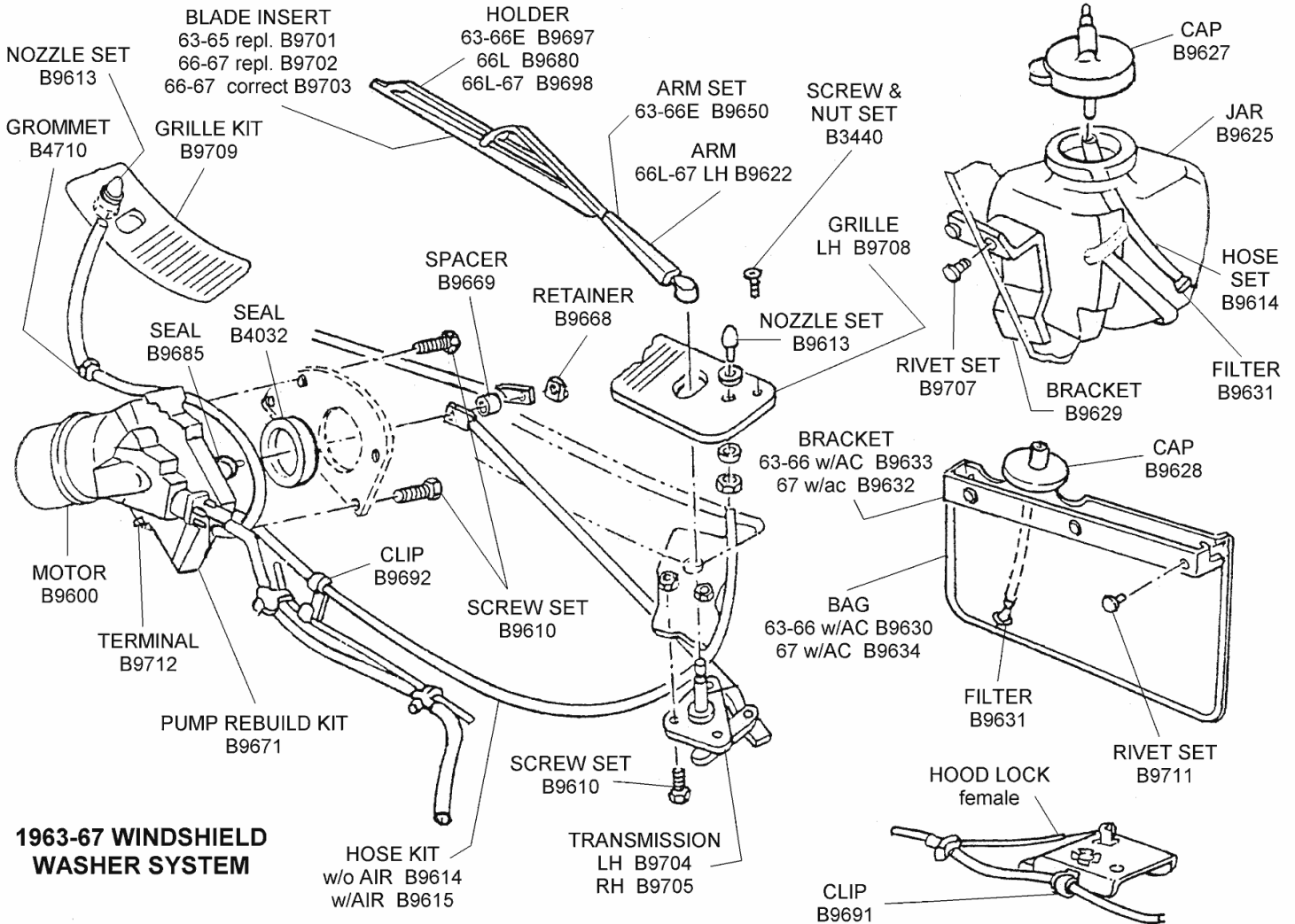


B9612	64-67	CLIP - rear window molding retainer, coupe, (24 req.) (ea)	3.80
B9611	63	CLIP - rear window molding retainer, coupe, (26 req.) (ea)	6.00
B9693	63	CLIP KIT - coupe, rear window, (26 pc.)	89.00
B9660	64-67	CLIP KIT - coupe, rear window, (24 pc.)	24.95
B9623	64-67	MOLDING - coupe, rear window, LH, (used, recon.)	74.95
B9624	64-67	MOLDING - coupe, rear window, RH, (used, recon.)	74.95
B9625	64-67	MOLDING - coupe, rear window, lower, (used, recon.)	215.00
B9667	64-67	MOLDING - coupe, rear window, upper outer, (used, recon.)	224.95
B9699	64-67	MOLDING - rear window corner, 90 degree small size	36.95
B9658	63	REAR/SPLIT WINDOW TRIM - sets or individual pieces / used originals	CALL
B9683	64-67	SCREW SET - rear window molding clips, coupe, (24 pc.)	7.40
B7543	64-67	SPACER SET - coupe rear window, (12 pc.)	8.65

WINDOWS/GLASS

G5114	53-62	REPAIR KIT - windshield, makes crystal clear repair of stone damage	12.25
B2650	63-67	ROLLER SET- window track & regulator (6 rollers & rivets)	24.35
B2577	63-67	TAPE SET - side window glass channel filler, (pr)	9.85
B0040	63-65	TAPE SET - windshield/rear glass, 15 feet black butyl tape	9.95
B4323	64-67	WINDOW - coupe rear glass, clear	674.95
B4324	64-67	WINDOW - coupe rear glass, tinted	674.95
B4303	63-67	WINDOW - door glass, convertible, clear, LH	284.95
B4304	63-67	WINDOW - door glass, convertible, clear, RH	284.95
B4307	63-67	WINDOW - door glass, coupe, clear, LH	284.95
B4308	63-67	WINDOW - door glass, coupe, clear, RH	284.95
B4305	63-67	WINDOW - door, convertible, tinted, LH	284.95
B4306	63-67	WINDOW - door, convertible, tinted, RH	284.95
B4309	63-67	WINDOW - door, coupe, tinted, LH	284.95
B4310	63-67	WINDOW - door, coupe, tinted, RH	284.95
B4319	63	WINDOW - split window rear, clear, LH	399.95
B4320	63	WINDOW - split window rear, clear, RH	399.95
B4321	63	WINDOW - split window rear, tinted, LH	399.95
B4322	63	WINDOW - split window rear, tinted, RH	399.95
B4311	63-67	WINDOW - vent glass, convertible, clear, LH	225.60
B4312	63-67	WINDOW - vent glass, convertible, clear, RH	225.60
B4313	63-67	WINDOW - vent glass, convertible, tinted, LH	225.60
B4314	63-67	WINDOW - vent glass, convertible, tinted, RH	225.60
B4315	63-67	WINDOW - vent glass, coupe, clear, LH	225.60
B4316	63-67	WINDOW - vent glass, coupe, clear, RH	225.60
B4317	63-67	WINDOW - vent glass, coupe, tinted, LH	225.60
B4318	63-67	WINDOW - vent glass, coupe, tinted, RH	225.60
B4325	63-67	WINDSHIELD - clear	225.60





1963-67 WINDSHIELD WASHER SYSTEM

B4301	63-67	WINDSHIELD - clear, dated w/logo	399.00
B4326	63-67	WINDSHIELD - shaded	287.40
B4302	63-67	WINDSHIELD - shaded w/logo & date	399.00

B0256	63-67	GROMMET - wiper harness & oil pressure line, firewall	6.25
B4710	63-67	GROMMET - washer/water hose firewall, (2 req.) (ea)	3.25
B9689	63-67	GROMMET - wiper motor mount, w/sleeve	6.75

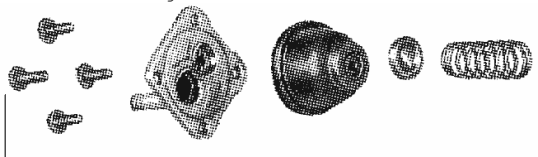
WINDSHIELD WIPER MOTOR, WASHER & RELATED

B9674	63-67	ARM - windshield wiper motor, at rear drive wiper arm transmission, original	13.25
B9630	63-66	BAG KIT - washer, w/AC or 1965 396, w/cap & hose	65.35
B9634	67	BAG KIT - washer bag w/cap & hose, w/AC	59.95
B9702	63-67	BLADE/INSERT (RUBBER) SET - generic wiper replacements, w/plastic retainer, (pr)	8.95
B9701	63-67	BLADE/INSERT (RUBBER) SET - GM wiper replacements, w/metal retainer, (pr)	14.95
B9703	66-67	BLADE/INSERT (RUBBER) SET - Trico w/3 ribs, NOS, original, pr	39.95
B9633	63-66	BRACKET - washer bag w/air conditioning or 1965 396	19.45
B9632	67	BRACKET - washer bag, w/air conditioning	19.45
B9629	63-67	BRACKET - washer bottle, w/o AC	24.00
B9627	63-67	CAP - washer bottle w/o ac	6.05
B9628	63-67	CAP - washer bag, w/air conditioning or 1965 396	5.95
G2600	63-67	CAULK - wiper transmission mount, strip type	6.45
B9692	63-67	CLIP - washer hose on firewall	1.50
B9691	66-67	CLIP - windshield washer hose, LH female hood lock	1.60
B9620	63-67	COVER - windshield washer pump, plated steel	24.95
B9718	63-67	COVER - windshield washer pump plug area, fiber	4.00
B9617	63-67	COVER SET - wiper arm transmission, (black rubber) (pr)	17.45
B9631	63-67	FILTER - windshield washer hose pick-up	4.60
B4030	63-67	GASKET SET - windshield washer nozzles, (pr)	1.35
B9708	63-67	GRILLE - wiper vent, LH, (used)	114.95
B9709	63-67	GRILLE - wiper vent, RH, (used)	114.95



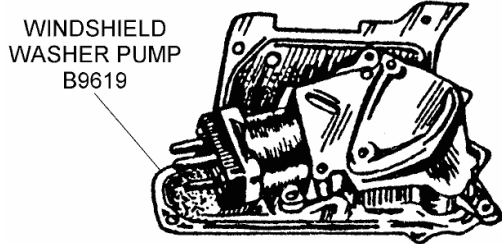
WINDSHIELD WIPER HOLDER
63-66 bright finish B9697
66-67 Satalite (dull) finish B9698

B9680	66E	HOLDER SET - blades, Trico brushed finish, square back (recond.) (pr)	69.95
B9697	63-65	HOLDER SET - blades, Trico, bright finished, recond., (pr)	69.95
B9720	63-67	HOLDER SET - blades, w/rubber inserts, brushed silver, (pr)	12.95
B9614	63-67	HOSE SET - washer system, w/o air conditioning	14.95
B9615	63-67	HOSE SET - washer system, w/air conditioning or 1965 396	14.95
B9626	63-67	JAR/BOTTLE - washer, w/o AC	10.95
B9714	63-67	LEVER/ARM - wiper motor, rear	12.60
B9670	63-67	NOZZLE KIT - windshield washers w/nuts & washers. correct w/adjustable brass jets	59.95
B9613	63-67	NOZZLE SET w/gaskets - windshield washer (pr)	16.95
B9716	63-67	NUT & LOCK WASHER SET - windshield washer nozzles, (2 pr)	1.25
B8634	63-67	NUT - wiper switch	4.90
B9713	63-67	NUT W/GASKETS- wiper motor lever retainer, flange type	1.00
B9672	63-67	REBUILD KIT - washer pump, standard w/90 degree white nozzle ends w/ bellows	26.95



REBUILD KIT B9672

B9671 63-67	REBUILD KIT - washer pump, standard w/90 degree white nozzle ends w/o bellows	14.95
B9668 63-67	RETAINER - wiper motor rod	1.75
B9711 63-67	RIVET SET - air conditioning or 1965 396, washer bag bracket to inner fender, (3 pc.) ..	1.00
B9707 63-67	RIVET SET - washer bottle bracket to inner fender, w/o AC, (3 pc.)	1.75
B3440 63-67	SCREW & NUT KIT - wiper vent grilles, (8 pc.)	6.35
B9610 63-67	SCREW & WASHER SET - wiper motor & pivot arm mount, (10 pc.)	6.85
B9685 63-67	SEAL - rear drive/transmission, on wiper motor	5.45
B2928 63-67	SEAL - wiper motor, to firewall	3.95
B9669 63-67	SPACER - wiper push rod, (rubber)	4.00
B9677 63-67	SPRING - wiper motor on internal cam mechanism	4.50
B9678 63-67	SPRING - wiper motor on internal solenoid linkage control return	3.00
B8621 63-64	SWITCH - wiper	39.95
B8631 65-66	SWITCH - wiper	39.95
B8633 67	SWITCH - wiper	62.95
B9712 63-67	TERMINAL - ground on wiper motor	2.90
A9788 63-67	TOOL - windshield wiper arm removal	8.55
B9704 63-67	TRANSMISSION & LINK - windshield wiper, LH, (pre-owned)	125.00
B9705 63-67	TRANSMISSION & LINK - windshield wiper, RH, (pre-owned)	125.00
B9722 63-67	WASHER PUMP ASSEMBLY - windshield wiper motor, restored original/outright	129.95



B9619 63-67	WASHER PUMP ASSEMBLY - windshield wiper motor, recond., w/all steel parts replated & correct nozzle end, exchange	89.00
B0882 63-65	WIPER MOTOR - #5044518 w/o pump, restored ..	279.95
B0881 66-67	WIPER MOTOR - #5044602 w/o pump, restored ..	279.95
NOTE: With restored motors B9600, B9675 & B9618, you must keep your old motor mounting grommets. They are not included with our motors.		
B9600 63-67	WIPER MOTOR RESTORATION - all steel parts replated, die cast body, reconditioned exchange	159.95
B9675 63-67	WIPER MOTOR W/PUMP RESTORATION - of your motor	229.95
NOTE: Restored Motor B9675 includes your motor assembly replated and repaired, or exchanged with core charge, the finest quality work available - Save \$25.		
B0045 63-67	WIPER MOTOR W/PUMP RESTORATION - survivor restoration of your motor	219.95

WIRE HARNESES, FLASHER & FUSES

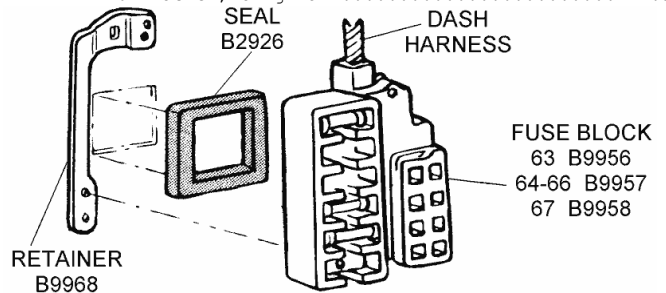
Air Conditioning System

B9900 63-67	COVER - green, AC control lights, (ea)	3.70
B9923 63	HARNESS - AC & ignition	181.95
B9924 64-65	HARNESS - AC & ignition	181.95
B9925 66	HARNESS - AC	114.00
B9939 67	HARNESS - AC	114.00
B9940 64-67	HARNESS - AC & heater indicator lights	19.00
B2149 64-67	HOLDER & SHADE - air conditioning indicator bulb sockets, metal	26.30
B0257 64-67	HOLDER & SHADE SET - AC indicator bulb socket, metal, (3 pc.)	74.50
B9941 63	WIRE - AC compressor ground	11.25
B9942 64-67	WIRE - AC compressor ground	11.25
B9901 66-67	WIRE - AC condenser ground	11.25

Dash - Main Harness & Flashers

B6028 63-67	BULB - courtesy/dome lamp, (ea)	1.20
B6023 63	BULB - glove box	1.20
B6058 64-67	BULB - glove box lamp, heater, AC dash bezel, (ea)	1.20
B6029 63	BULB - headlight beam indicator, ignition switch or cigarette lighter	1.20
A6035 63-67	BULB - headlight motor warning or parking brake alarm, (flashing)	2.20
B6052 64-67	BULB - hi-beam indicator, cigarette lighter or ignition switch light	1.20
B6051 63-67	BULB - turn signal indicator, instrument panel & clock light, (ea)	1.20
B6059 63	BULB KIT - all, except headlight, (32 pc.) ..	22.00

B6060 64	BULB KIT - all, except headlight, (33 pc.) ..	22.00
B6091 65-66	BULB KIT - all, except headlight, (36 pc.) ..	22.00
B6061 67	BULB KIT - all, except headlight, (36 pc.) ..	22.00
B0435 63-67	BULK HEAD CONNECTOR REPAIR KIT (for back of fuse block)	113.80
C8685 65-67	CLIP - turn signal flasher	6.95
A9996 63-67	EMERGENCY FUSE & FLASHER KIT - w/puller	7.95
A8679 63-67	FLASHER - w/back-up lamps, turn signal, (repl.)	7.95
A8681 63-67	FLASHER - turn signal, w/o back up lamp, (repl.)	5.25
A8672 63	FLASHER - w/back up lamps, Tung Sol #AP273, NOS	19.95
A8673 63	FLASHER - w/back-up lamps, Signal Stat #142, #1034 bulbs (2 bulb system), NOS, embossed	16.95
B8690 63	FLASHER - w/back-up lamps, Tung Sol #223, #1034, NOS, (2 bulb system)	19.95
A8690 63-64	FLASHER - w/o back-up lamps, Tung Sol, AP373	29.95
B8655 64-66	FLASHER - w/back-up lamps, Signal Stat #144, NOS, embossed	19.95
B8651 64-65	FLASHER - w/back-up lamps, Tung Sol #224 w/blue metal can, 2 bulb NOS	29.95
B8626 64-65	FLASHER - w/o back-up lamps, Tung Sol #323, metal can, yellow, embossed, (pre-owned) ..	24.95
B8691 64-67	FLASHER - w/o back-up lamps (64-65 & 67 all), Signal Stat #145, NOS/NEW, embossed, 3 bulb	34.95
B8652 66	FLASHER - w/back-up lamps ,Tung Sol #224, w/blue plastic can, N.O.S	29.95
B8654 67	FLASHER - w/o back-ups, turn signal, Tung Sol #323 w/yellow plastic can, w/D.O.T., NOS ..	10.00
B8698 66	FLASHER - 4 way, Signal Stat #170, recond./original, (embossed)	CALL
B8648 67	FLASHER - 4 way, Signal Stat #175, on fuse block, ink stamped	19.95
B8645 66	FLASHER - 4 way, Signal Stat, mounts in 4 way flasher unit , NOS, repl.	13.25
B8681 67E	FLASHER - 4 way, Tung Sol #552, silk screened, mounts in fuse block, (pre-owned) ..	29.95
B8682 67L	FLASHER - 4 way, Tung Sol #552, embossed, mounts in fuse block (pre-owned)	CALL
B9970 66	FLASHER SYSTEM - 4 way, with harness & knob & flasher, original	224.95

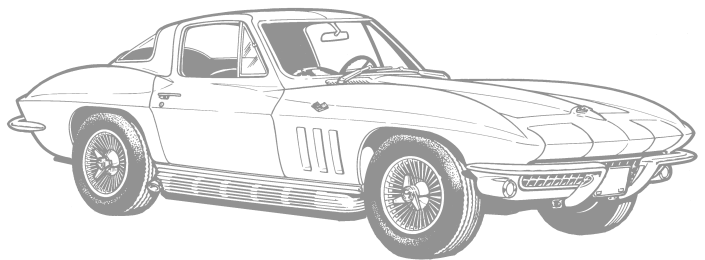


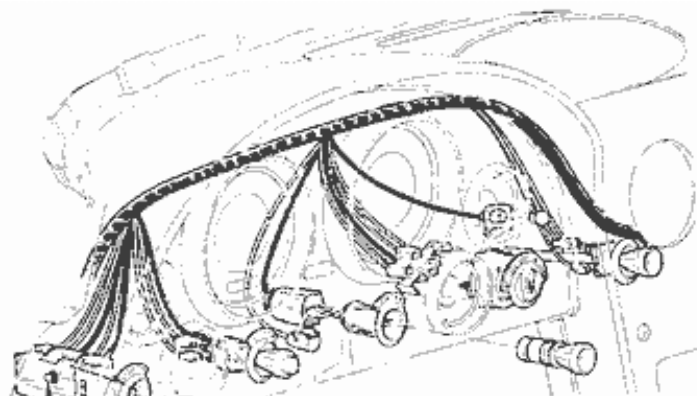
B9950 63	FUSE & FLASHER KIT - generic, (15 pc.)	17.00
B9980 64-66	FUSE & FLASHER KIT - generic, (18 pc.)	17.00
B9951 67	FUSE & FLASHER KIT - generic, (15 pc.)	17.00

NOTE: Fuse and Flasher Kits contain enough generic fuses and flashers to replace all those in your Corvette plus provide you with one spare of each variety. Includes fuse removal tool.

B9956 63	FUSE BLOCK KIT - fuse block, w/buss bars & clips	110.00
B9957 64-66	FUSE BLOCK KIT - fuse block, w/buss bars & clips	110.00
B9958 67	FUSE BLOCK KIT - fuse block, w/buss bars & clips	110.00
B9812 63	FUSE KIT - w/correct colored bands, (8 pc.) ..	12.00
B9813 64	FUSE KIT - w/correct colored bands, (8 pc.) ..	12.00
B9814 65	FUSE KIT - w/correct colored bands, (8 pc.) ..	12.00
B9815 66	FUSE KIT - w/correct colored bands, (8 pc.) ..	12.00
B9816 67	FUSE KIT - w/correct colored bands, (8 pc.) ..	12.00

NOTE: Colored strip on fuse designates different amperage rating, as original.





DASH (MAIN) HARNESS

B9952	63	HARNESS - main/dash, w/back-up	448.95
B9902	63	HARNESS - main/dash, w/o back-up	448.95
B9953	64	HARNESS - main/dash, w/back-up	448.95
B9903	64	HARNESS - main/dash, w/o back-up	448.95
B9954	65	HARNESS - main/dash, w/back-up	448.95
B9904	65	HARNESS - main/dash, w/o back-up	448.95
B9905	66	HARNESS - main/dash	448.95
B9906	67	HARNESS - main/dash	455.00
B2149	64-67	HOLDER & SHADE - air conditioning indicator bulb sockets	26.30
B9968	63-67	MOUNT PLATE w/rivets- fuse block,	11.55
B9967	63-67	SCREW SET - fuse block mounting, (pr)	2.05
B2926	63-67	SEAL - fuse block on firewall	4.35
B2175	63-67	SHADE - cigarette lighter bulb, green	10.00
B2139	63-67	SHIELD - glove box light bulb	9.40

Fuel Injection

B9945	64-65	WIRE - fuel injection solenoid bypass lead	12.00
-------	-------	--	-------

Fuel Tank Sender

B9961	63	HARNESS - fuel tank sender, all w/36 gallon tank	38.00
B9963	64	HARNESS - fuel tank sender, all w/36 gallon tank	38.00
B9965	65-67	HARNESS - fuel tank sender, all w/36 gallon tank	38.00

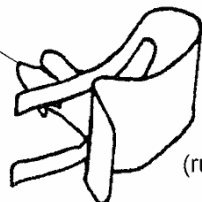
Ground Straps

B7186	63-67	GROUND STRAP - accelerator linkage	7.00
B0520	63-67	GROUND STRAP - antenna	5.00
B7138	63-67	GROUND STRAP - body to frame, at door sill	7.75
B7140	63-67	GROUND STRAP - center exhaust hanger, (2 req.) (ea)	7.75
B7139	63-67	GROUND STRAP - engine mount	7.75
B7102	63	GROUND STRAP KIT - radio, w/o side exhaust	34.00
B7106	64-67	GROUND STRAP KIT - radio, w/o side exhaust	27.95
B7104	64-67	GROUND STRAP KIT - radio, w/side exhaust	27.95

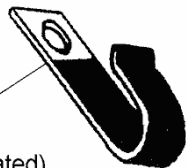
Headlight & Forward Lamp System Harnesses W/Alternator & Voltage Regulator

B0430	63	BOOT - positive terminal for wire harness on backside of alternator / ORIGINAL w/cross / used - extra nice - one year only - while supplies last	34.95
B0472	64-67	BOOT - positive terminal for wire harness on backside of alternator / ORIGINAL w/cross & mold number / used - extra nice & VERY DIFFERENT FROM REPRODUCTION	15.95
B0411	63-67	BOOT - positive terminal cover, rear of alternator wire harness, generic	4.60
B0407	63-67	BOOT - positive terminal cover, rear of alternator wire harness, w/cross marking - REPRODUCTION	10.35
A6024	63	BULB - turn signal, (ea)	1.20
B6050	64-67	BULB - turn signal, (ea)	1.20

CLIP SET B9944



CLIP (rubber coated) B9949



B3025	63-65	CLIP SET - horn wire, (5 pc.)	8.10
B3026	66-67	CLIP SET - horn wire, (2 pc.)	3.85
B9944	63-67	CLIP SET - wire harness to header bar, (4 pc.)	20.70

B9971	63-67	CONNECTOR - headlight extension harness (ea)	2.35
B0413	63-67	CONNECTOR - 2 spade, connects harness to R & F terminals at rear of alternator	4.00
B4910	63-67	CONNECTOR - headlight door opening switch, w/leads	16.55
B9964	63-65	HARNESS - alternator relocation / to move to other side of engine compartment	42.00
B9955	63-67	HARNESS - alternator conversion, allows use of internal regulator alternator on 63-67	19.65
B9907	63-66	HARNESS/EXTENSION SET - front parking lamps / included w/lamp assemblies	50.50
B9928	67	HARNESS/EXTENSION SET - front parking lamps / included w/lamp assemblies	50.50
B9908	63	HARNESS - headlight main	145.00
B9909	64-65	HARNESS - headlight main	139.00
B9934	66	HARNESS - Headlight including Engine/Ignition	326.90
B9935	67	HARNESS - Headlight including Engine/Ignition	326.90
B9966	65	HARNESS - voltage regulator adapter, w/TI	31.00
B9926	63	HARNESS SET- headlight bucket extensions, (for fiberglass headlight bucket) w/grommets, (pr)	56.65
B9927	63-67	HARNESS SET - headlight bucket extensions, (for metal headlight bucket) (pr)	39.95
B9975	65	WIRE - ground, TI amplifier box, all w/AC	9.40
B9946	64-65	WIRE - voltage regulator jumper lead to horn relay, all w/327	11.00

Ignition - Engine

L0241		BOOK - 'Wired For Success - Auto Electrical Made Easy' Cut the expense and do it yourself with this easy-to-understand guide to fixing and maintaining your car's electrical system. You go beneath the hood for a no-nonsense look at your car's 6 & 12 volt electrical innards. With this step-by-step book, you'll discover the best tools and techniques for the electrical maintenance of your automobile. Illustrated	27.55
B0430	63	BOOT - positive terminal for wire harness on backside of alternator / ORIGINAL w/cross / used - extra nice - one year only - while supplies last	34.95
B0472	64-67	BOOT - positive terminal for wire harness on backside of alternator / ORIGINAL w/cross & mold number / used - extra nice & VERY DIFFERENT FROM REPRODUCTION	15.95
B0407	63-67	BOOT - positive terminal cover, rear of alternator wire harness, w/cross marking - REPRODUCTION	10.35
B0411	63-67	BOOT - positive terminal cover, rear of alternator wire harness, generic	4.60
A2006	63-67	BRACKET SET - temperature wire on valve cover, (pr)	8.00
B0047	63-67	CONNECTOR WITH TERMINALS - voltage regulator	2.50
B9973	64-65	CONVERSION KIT - transistorized ignition, all terminals & connectors w/instructions as used by factory to install TI	8.75
B9974	66-67	CONVERSION KIT - transistorized ignition, all terminals & connectors w/instructions a used by factory to install TI.	8.75
B5151	64-67	GROUND TERMINAL - blower motor	3.00
B9929	63	HARNESS - engine/ignition, w/o AC	157.00
B9923	63	HARNESS - engine/ignition, w/AC	181.95
B9930	64-65	HARNESS - engine/ignition, w/o AC	157.00
B9924	64-65	HARNESS - engine/ignition, w/AC	181.95
B9931	64-65	HARNESS - engine/ignition, (w/manual transmission & FI)	162.00
B9933	65	HARNESS - engine/ignition, 396/425hp	157.00
B9934	66	HARNESS - engine/ignition, includes headlight	326.90
B9935	67	HARNESS - engine/ignition, includes headlight	326.90
B0046	63E	HARNESS - over rev warning buzzer, all w/L76 - L84	16.75
B9959	64-67	HARNESS - transistorized ignition amplifier box extension repair	35.20
B9932	64-65	HARNESS - transistorized ignition, w/TI conversion kit	119.00
B9948	66-67	HARNESS - transistorized ignition, w/TI conversion kit	119.00
B2056	63-67	REPAIR KIT - engine harness, temperature sender wire (green), w/terminal, connector & loom	12.00

Power Window Harness & Related

B9811	63-67	HARNESS - power window motor conversion / when installing a type '2' motor w/'t' configured terminals	10.35
-------	-------	---	-------

- A0120 63-67 HARNESS - power window motor conversion / when installing a type '3' style motor w/2 parallel terminals10.35
- B9636 63-66 HARNESS - power window system110.00
- B9937 67 HARNESS - power window system110.00

Radio Related

- B7108 63-67 BOLT & WASHER KIT - ground strap set20.00
- B0520 63-67 GROUND STRAP - antenna5.00
- B7102 63 GROUND STRAP KIT - radio, w/o side exhaust . .34.00
- B7104 63-67 GROUND STRAP KIT - radio, w/side exhaust . . .27.95
- B7106 64-67 GROUND STRAP KIT - radio, w/o side exhaust . .27.95
- B7110 67 GROUND STRAP KIT - radio, w/o side exhaust . .27.95
- B7111 67 GROUND STRAP KIT - radio, w/side exhaust . . .26.90
- B9938 63-67 HARNESS - radio to speaker, 2 leads, 2 connectors & clip12.95

Rear Body Harness

- B9857 63-67 BOOT - tail/stop or back-up lights, accordion style, rubber, (4 req.) (ea)19.30
- B6057 63-67 BULB - back-up light, (ea)1.20
- A6026 63 BULB - license light1.20
- B6054 64-67 BULB - license light1.50
- A6024 63 BULB - tail light or turn signal1.20
- A6096 63-67 BULB - tail light or turn signal, extra bright, high output, (ea)2.50
- A6050 63-67 BULB - tail light or turn signal, front & rear, (ea)1.95
- B9943 63-67 CLIP SET - rear wire harness, (3 pc.)4.65
- B0256 63-67 GROMMET - rear wire harness & antenna cable, 2 hole , large6.25
- B9912 63 HARNESS - rear, w/back-up light, rear189.00
- B9911 63 HARNESS - rear, w/o back-up light189.00
- B9915 64 HARNESS - rear, convertible, w/back-up light189.00
- B9916 64 HARNESS - rear, convertible, w/o back-up light189.00
- B9913 64 HARNESS - rear, coupe, w/back-up lights . . .189.00
- B9914 64 HARNESS - rear, coupe, w/o back-up light . .189.00
- B9919 65 HARNESS - rear, convertible, w/back-up light189.00
- B9920 65 HARNESS - rear, convertible, w/o back-up light189.00
- B9917 65 HARNESS - rear, coupe, w/back-up light189.00
- B9918 65 HARNESS - rear, coupe, w/o back-up light . .189.00
- B9921 66 HARNESS - rear harness, all189.00
- B9922 67 HARNESS - rear harness, all189.00
- B6095 63-67 PIGTAIL - back-up light connector w/wire . . .11.00
- A6036 63-67 PIGTAIL - tail light connector, turn/stop, w/wires11.50

Speed Warning

- B9910 67 HARNESS - speed warning harness19.00

Tachometer

- B9972 63E HARNESS - engine over-rev. tachometer buzzer, L-76 or L84 engine options16.80

Turn Signal Switch Assembly

- B7952 64-66 SWITCH - turn signal, w/harness, (w/o tele.)83.10
- B7999 65-66 SWITCH - turn signal, w/harness, (w/tele) . .162.45
- B7954 67 SWITCH - turn signal, w/harnessCALL

Wire Harness - Miscellaneous

- A2006 63-67 BRACKET SET - temperature wire on valve cover, (pr)8.00
- B0048 63-65 CLIP SET - 'S' type, horn wire, parking lamp wire and rear harness17.05
- B0049 66-67 CLIP SET - 'S' type, horn wire, parking lamp wire and rear harness (9 pc., 3 small, 6 large)13.10
- B0586 63-65 CLIP SET - wire for horn wire, parking lamp wire under dash and rear harness and rear harness, (11 pc., 6 small & 5 large)17.05
- B0587 66-67 CLIP SET - wire for horn wire, parking lamp wire under dash and rear harness and rear harness, (9 pc., 3 small & 6 large)13.80
- B9810 63-67 CLIP SET - wire harness at firewall, w/AC, w/fasteners17.25
- B9809 63-67 CLIP SET - wire harness at firewall, w/o AC, w/fasteners11.50
- B9944 63-67 CLIP SET - wire harness to header bar, (4 pc.)20.70
- B5816 63-64 COVER PLATE SET - wire harness along door sill, (pr)27.00

- B5818 65-67 COVER PLATE SET - wire harness along door sill, (pr)27.00
- B9995 63 HARNESS - steering column adapter, (adapts 64-66 for 63)26.00
- B2065 63-67 REPAIR KIT - engine harness, temperature sender wire (dark green) w/terminal & loom . .12.00
- A9961 63-67 TAPE - wire harness, non-adhesive, 1 1/4' wide, (100 ft. roll)15.00
- A0015 53-82 TAPE - wire harness, non-adhesive, 3/4' wide (100 ft. roll)15.00
- B2980 63E TIE STRAP KIT - wire harness, (16 pc.)24.50
- B2981 63L-64 TIE STRAP KIT - wire harness, (14 pc.)16.25
- B2982 65-67 TIE STRAP KIT - wire harness, 327, (14 pc.) . 17.50
- B2983 66-67 TIE STRAP KIT - wire harness, 427, (16 pc.) . 33.10

Wire Harness Kits

1963-67 WIRE HARNESS KITS with back-up lights						
B9982	63	COUPE / CONVERTIBLE				
B9986	64	COUPE / CONVERTIBLE				
B9985	64	CONVERTIBLE				
B9989	65	COUPE				
B9990	65	CONVERTIBLE				
B9991	66	ALL (w/o TI)				
B9992	67	ALL (w/o TI)				
G0010	63	17x22 laminated wiring diagram				1
G0011	64	17x22 laminated wiring diagram			1	1
G0017	65	17x22 laminated wiring diagram		1	1	
G0021	66	17x22 laminated wiring diagram		1		
G0023	67	17x22 laminated wiring diagram	1			
B9952	63	HARNESS - main / dash				1
B9953	64	HARNESS - main / dash			1	1
B9954	65	HARNESS - main / dash		1	1	
B9905	66	HARNESS - main / dash		1		
B9906	67	HARNESS - main / dash	1			
B9929	63	HARNESS - ignition, manual				1
B9930	64-65	HARNESS - ignition, manual		1	1	1
B9934	66	HARNESS - ignition and headlight		1		
B9935	67	HARNESS - ignition and headlight	1			
B9908	63	HARNESS - headlight, main				1
B9909	64-65	HARNESS - headlight, main		1	1	1
B9926	63	HARNESS SET - headlight extension w/fiberglass bucket (pr)				1
B9927	63L-67	HARNESS SET - headlight extension (pr)	1	1	1	1
B9912	63	HARNESS - rear body				1
B9913	64	HARNESS - rear body				1
B9915	64	HARNESS - rear body			1	
B9917	65	HARNESS - rear body			1	
B9919	65	HARNESS - rear body		1		
B9921	66	HARNESS - rear body		1		
B9922	67	HARNESS - rear body	1			

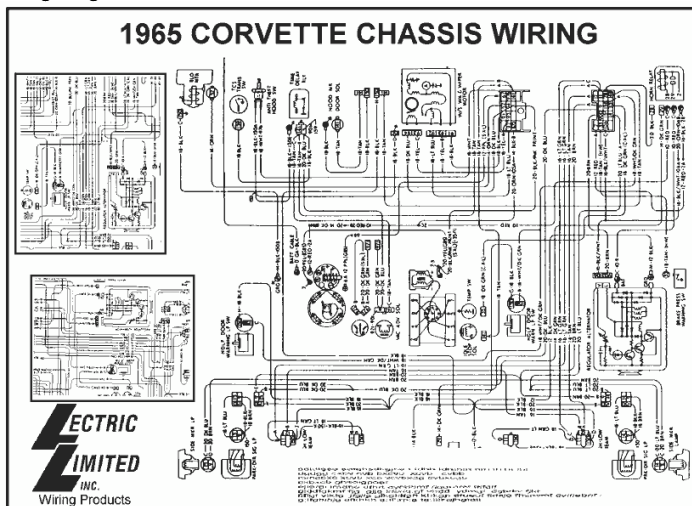
B9982 63 WIRE HARNESS KIT - coupe / convertible w/ back-up lights * SEE TABLE FOR CONTENTS . . .889.00

1963-67 WIRE HARNESS KITS without back-up lights					
B9981	63	COUPE / CONVERTIBLE			
B9984	64	COUPE / CONVERTIBLE			
B9983	64	CONVERTIBLE			
B9987	65	COUPE			
B9988	65	CONVERTIBLE			
B9991	66	ALL (w/o TI)			
B9992	67	ALL (w/o TI)			
G0010	63	17x22 laminated wiring diagram			1
G0011	64	17x22 laminated wiring diagram			1 1
G0017	65	17x22 laminated wiring diagram		1 1	
G0021	66	17x22 laminated wiring diagram	1		
G0023	67	17x22 laminated wiring diagram	1		
B9902	63	HARNESS - main / dash			1
B9903	64	HARNESS - main / dash			1 1
B9904	65	HARNESS - main / dash		1 1	
B9905	66	HARNESS - main / dash	1		
B9906	67	HARNESS - main / dash	1		
B9929	63	HARNESS - ignition, manual, w/o AC			1
B9930	64-65	HARNESS - ignition, manual w/o AC		1 1 1 1	
B9934	66	HARNESS - ignition and headlight	1		
B9935	67	HARNESS - ignition and headlight	1		
B9908	63	HARNESS - headlight, main			1
B9909	64-65	HARNESS - headlight, main		1 1 1 1	
B9926	63	HARNESS SET - headlight extension w/fiberglass bucket (pr)			1
B9927	63L-67	HARNESS SET - headlight extension (pr)	1 1 1 1 1 1 1		
B9911	63	HARNESS - rear body			1
B9914	64	HARNESS - rear body			1
B9916	64	HARNESS - rear body			1
B9918	65	HARNESS - rear body			1
B9920	65	HARNESS - rear body			1
B9921	66	HARNESS - rear body	1		
B9922	67	HARNESS - rear body	1		

B9985	64	WIRE HARNESS KIT - convertible w/ back-up lights * SEE TABLE FOR CONTENTS879.00
B9983	64	WIRE HARNESS KIT - convertible w/o back-up lights * SEE TABLE FOR CONTENTS879.00
B9986	64	WIRE HARNESS KIT - coupe w/ back-up lights * SEE TABLE FOR CONTENTS879.00
B9984	64	WIRE HARNESS KIT - coupe w/o back-up lights * SEE TABLE FOR CONTENTS879.00
B9990	65	WIRE HARNESS KIT - convertible w/ back-up lights * SEE TABLE FOR CONTENTS879.00
B9988	65	WIRE HARNESS KIT - convertible w/o back-up lights * SEE TABLE FOR CONTENTS879.00
B9989	65	WIRE HARNESS KIT - coupe w/ back-up lights * SEE TABLE FOR CONTENTS879.00
B9987	65	WIRE HARNESS KIT - coupe w/o back-up lights * SEE TABLE FOR CONTENTS879.00
B9991	66	WIRE HARNESS KIT - coupe / convertible * SEE TABLE FOR CONTENTS869.00

B9992	67	WIRE HARNESS KIT - coupe / convertible * SEE TABLE FOR CONTENTS869.00
B9981	63	WIRE HARNESS KIT - coupe / convertible w/o back-up lights * SEE TABLE FOR CONTENTS889.00

Wiring Diagrams



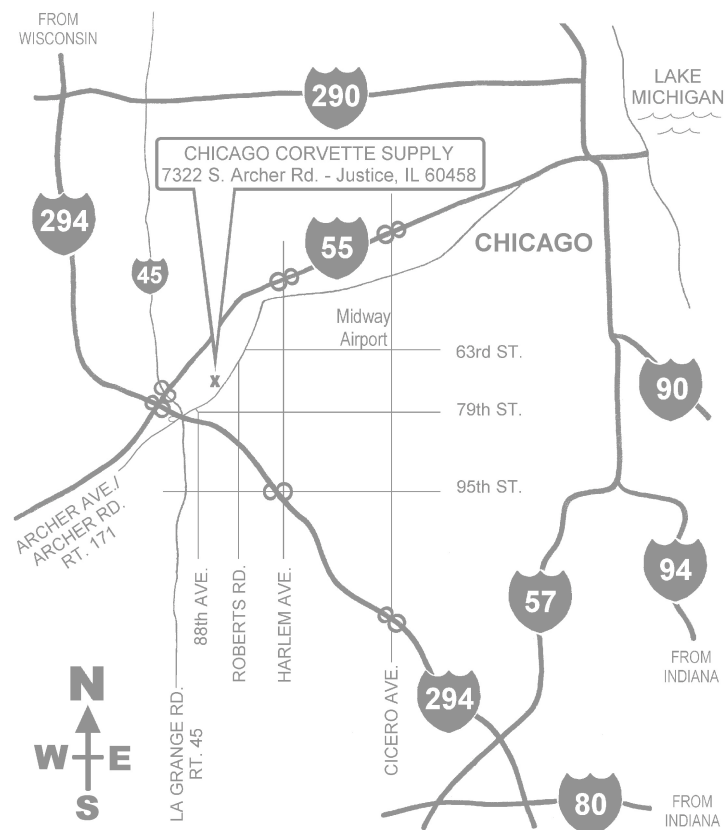
NOTE: All wiring diagrams are plastic laminated on both sides for ease of use and durability. Use them while working on your Corvette's electrical system. Oil and grease easily wipe off.

G0010	63	WIRING DIAGRAM - (17' x 22'), laminated14.95
G0011	64	WIRING DIAGRAM - (17' x 22'), laminated14.95
G0017	65	WIRING DIAGRAM - (17' x 22'), laminated14.95
G0021	66	WIRING DIAGRAM - (17' x 22'), laminated14.95
G0023	67	WIRING DIAGRAM - (17' x 22'), laminated14.95



Chicago Corvette Supply is located in JUSTICE, ILLINOIS

5 minutes southwest of Chicago, near the intersection of I-55 and I-294



ORDER FORM

PLEASE PRINT

See "Ordering Information and Policies" (inside back cover)

Customer # _____ Date _____

SOLD TO:

NAME _____
 ADDRESS _____
 CITY _____ STATE _____ ZIP _____ COUNTRY _____

SHIP TO: _____ Residential Delivery _____ Business Delivery

NAME _____
 ADDRESS _____
 CITY _____ STATE _____ ZIP _____ COUNTRY _____

PHONE: Daytime (work) number
 (_____) _____
 Home Number
 (_____) _____

CHECK ONE: Ship my order now, and ship any back ordered items when available.
 Ship my order only when all items are available.

If you need additional order forms, please photocopy this order form or list additional items on a blank sheet of paper. Please provide the pertinent information required on this page.

Model Year:	<input type="checkbox"/> Coupe <input type="checkbox"/> Conv. <input type="checkbox"/> Other	<input type="checkbox"/> Auto <input type="checkbox"/> 3-Spd. <input type="checkbox"/> 4-Spd.	Engine Size (cu. in.)	H/P:
Trim Tag (Code No.)	Interior Color (Code No.)	Exterior Color	Options <input type="checkbox"/> A/C <input type="checkbox"/> PB <input type="checkbox"/> P/S <input type="checkbox"/> P/W	<input type="checkbox"/> Personal Check <input type="checkbox"/> Company Check <input type="checkbox"/> Money Order <input type="checkbox"/> C.O.D. - \$7.00 fee <small>(C.O.D. cash no longer accepted by U.P.S. Driver)</small>
CREDIT CARD (check one): <input type="checkbox"/> Visa <input type="checkbox"/> Master Card <input type="checkbox"/> Discover				
CARD NUMBER: _____				
EXPIRATION DATE: _____				
NAME ON CARD				
AUTHORIZED SIGNATURE				

Quantity	Part #	Full Description	Page	Price	Total
	G0305	Gift Certificate - Name of Recipient: _____	- - -		
- - - -	- - - -	Circle Catalog Desired (A - 53-62) (B - 63-67) (C - 68-82)	- - -	FREE	FREE



MAIL or FAX to:

7322 S. Archer Rd. Justice, IL 60458
Fax: (708) 458-2662

For more information, visit us online at www.ChicagoCorvette.net

Sub Total (No minimum order)	
** Express Service \$5.00	
Handling	3.95
* Shipping - 10% or minimum \$5.00	
Illinois Residents - add 7.75% sales tax	
C.O.D. \$7.00	
Order Total	

*Call for a shipping quote if you are pre-paying (check or money order) on orders with oversized or extra heavy items (rear ends, trailing arms, large fiberglass parts, etc.)
 ** Products in stock will ship the next working day after the order is received. Check "Ship my order now" box above.

TECH. QUESTIONS: (708) 458-6577 (Mon.-Fri. only) **ORDERS ONLY:** (non 312, 630, 708, 773, 847 area codes): 1-800-872-2446
ORDERS (local): (708) 458-2500 FAX: (708) 458-2662

PHONE SALES HOURS: Monday – Friday: 8 AM – 6PM (CST) Saturday: 9 AM – 2 PM (CST) Closed Sundays and Holidays
 Not responsible for typographical errors or omissions. All prices and part numbers subject to change without notice. See "Ordering Information and Policies" for more info.

ORDER FORM

PLEASE PRINT

See "Ordering Information and Policies" (inside back cover)

Customer # _____ Date _____

SOLD TO:

NAME _____
 ADDRESS _____
 CITY _____ STATE _____ ZIP _____ COUNTRY _____

SHIP TO: _____ Residential Delivery _____ Business Delivery

NAME _____
 ADDRESS _____
 CITY _____ STATE _____ ZIP _____ COUNTRY _____

PHONE: Daytime (work) number
 (_____) _____
 Home Number
 (_____) _____

CHECK ONE: Ship my order now, and ship any back ordered items when available.
 Ship my order only when all items are available.

If you need additional order forms, please photocopy this order form or list additional items on a blank sheet of paper. Please provide the pertinent information required on this page.

Model Year:	<input type="checkbox"/> Coupe <input type="checkbox"/> Conv. <input type="checkbox"/> Other	<input type="checkbox"/> Auto <input type="checkbox"/> 3-Spd. <input type="checkbox"/> 4-Spd.	Engine Size (cu. in.)	H/P:
Trim Tag (Code No.)	Interior Color (Code No.)	Exterior Color	Options <input type="checkbox"/> A/C <input type="checkbox"/> PB <input type="checkbox"/> P/S <input type="checkbox"/> P/W	<input type="checkbox"/> Personal Check <input type="checkbox"/> Company Check <input type="checkbox"/> Money Order <input type="checkbox"/> C.O.D. - \$7.00 fee <small>(C.O.D. cash no longer accepted by U.P.S. Driver)</small>
CREDIT CARD (check one): <input type="checkbox"/> Visa <input type="checkbox"/> Master Card <input type="checkbox"/> Discover				
CARD NUMBER: _____				
EXPIRATION DATE: _____				
NAME ON CARD				
AUTHORIZED SIGNATURE				

Quantity	Part #	Full Description	Page	Price	Total
	G0305	Gift Certificate - Name of Recipient: _____	- - -		
- - - -	- - - -	Circle Catalog Desired (A - 53-62) (B - 63-67) (C - 68-82)	- - -	FREE	FREE



MAIL or FAX to:

7322 S. Archer Rd. Justice, IL 60458
Fax: (708) 458-2662

For more information, visit us online at www.ChicagoCorvette.net

Sub Total (No minimum order)	
** Express Service \$5.00	
Handling	3.95
* Shipping - 10% or minimum \$5.00	
Illinois Residents - add 7.75% sales tax	
C.O.D. \$7.00	
Order Total	

*Call for a shipping quote if you are pre-paying (check or money order) on orders with oversized or extra heavy items (rear ends, trailing arms, large fiberglass parts, etc.)
 ** Products in stock will ship the next working day after the order is received. Check "Ship my order now" box above.

TECH. QUESTIONS: (708) 458-6577 (Mon.-Fri. only) **ORDERS ONLY:** (non 312, 630, 708, 773, 847 area codes): 1-800-872-2446
ORDERS (local): (708) 458-2500 FAX: (708) 458-2662

PHONE SALES HOURS: Monday – Friday: 8 AM – 6PM (CST) Saturday: 9 AM – 2 PM (CST) Closed Sundays and Holidays
Not responsible for typographical errors or omissions. All prices and part numbers subject to change without notice. See "Ordering Information and Policies" for more info.