



www.ChicagoCorvette.net

1968-82 Catalog

JULY 2011

TABLE OF CONTENTS

AIR CONDITIONING.....	1	GASKET & SEALS.....	75
ANTENNA.....	2	GAUGES, GAUGE LENS & GAUGE BEZELS.....	75
BATTERY & BATTERY CABLES.....	3	GRILLE & RELATED AREA.....	76
BODY MOUNTING & ASSEMBLY.....	3	HEAD LIGHT ASSEMBLIES & COMPONENTS.....	78
BOOKS, MANUALS & SALES BROCHURES.....	5	HEATER & VENT SYSTEM.....	79
BRAKE SYSTEM & RELATED PARTS.....	6	HOOD.....	80
BUMPER & BUMPER MOUNTING.....	11	INTERIOR - CARPET, CONSOLE, DASH & TRIM, DOOR PANELS, DYE, FIREWALL, SEATS & MORE.....	84
CABLES WITH HOUSINGS & RELATED.....	14	LIGHTS, LAMPS & RELATED.....	95
CLOCKS.....	14	LOCKS & RELATED.....	96
CLUTCH & BELL HOUSING.....	14	MIRRORS.....	97
COOLING SYSTEM & COOLING RELATED.....	15	PAINT.....	98
CRUISE CONTROL.....	19	POWER STEERING.....	98
DECALS, INSTRUCTIONS & LABELS.....	19	RADIO & RELATED.....	101
DECK LID - Convertible.....	22	REAR END / DIFFERENTIAL.....	102
DOOR.....	23	SHIFTER.....	104
EMBLEMS.....	27	SPARE TIRE CARRIER, JACK & RELATED.....	106
ENGINE ASSEMBLY & COMPONENTS: AIR CLEANERS, ALTERNATORS, BLOCKS, CARBURETORS, DISTRIBUTORS, FUEL PUMPS, HEADS, IGNITION SHIELDING, STARTERS, VALVE COVERS, WATER PUMPS & MORE.....	28	STEERING COLUMN, WHEEL & RELATED.....	106
ENGINE COMPARTMENT.....	60	SUSPENSION - FRONT & REAR.....	109
EXHAUST.....	65	SWITCHES, RELAYS & RELATED - NOS, RESTORED & NEW.....	117
EXTERIOR TRIM & MOLDINGS.....	68	TOOLS.....	120
FIBERGLASS.....	69	TOP ASSEMBLIES & RELATED.....	121
FRAME.....	72	TRANSMISSION.....	122
GAS DOOR.....	73	WEATHERSTRIP.....	125
GAS PEDAL & PEDAL PADS.....	73	WHEELS, TIRES, & HUBCAPS.....	127
GAS TANK, CAP & RELATED.....	74	WINDOWS/GLASS & WINDOW TRIM.....	128
		WINDSHIELD SUB-FRAME & COMPONENTS.....	129
		WINDSHIELD WIPER SYSTEM & RELATED.....	129
		WIRE HARNESSSES, FLASHERS & FUSES.....	131

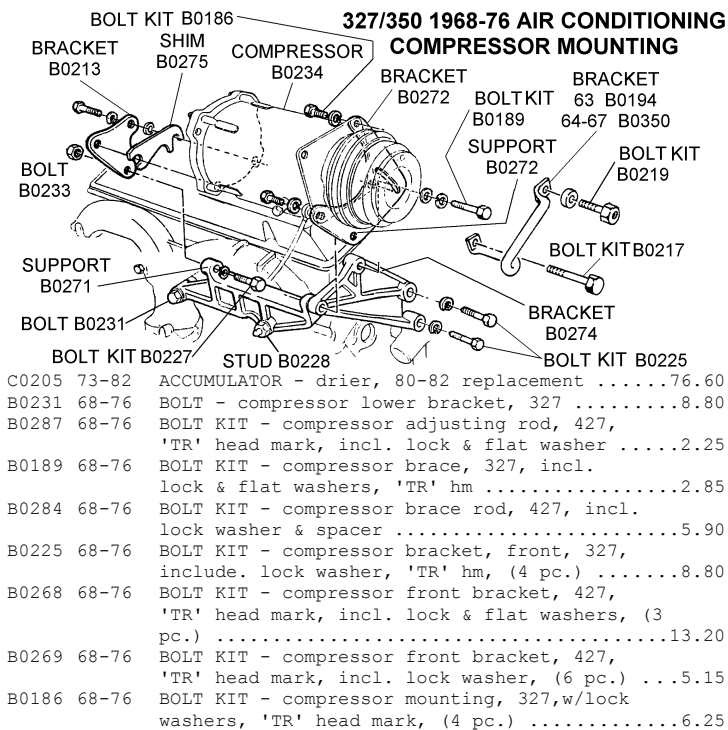
SEE NEXT PAGE FOR DETAILED INDEX

INDEX

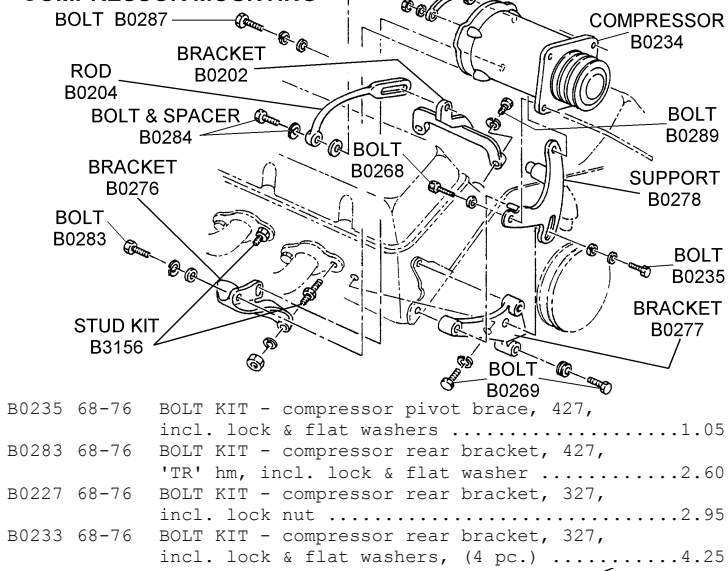
A-ARMS.....	109	COOLING SYSTEM.....	15	HEADS-427/454.....	34	SEAT BACK.....	92
A.I.R./EMISSION SYSTEM.....	34	COURTESY LIGHTS & BRACKETS.....	90, 96	HEAT RISER.....	36	SEAT BELTS & RETAINERS.....	92
ACCELERATOR CABLE.....	38	DASH INDICATORS.....	1, 80, 85	HEATER CONTROLS.....	1, 79	SEAT COVERS.....	93
ACCELERATOR PEDAL.....	73	DASH PADS.....	87	HEATER CORE.....	1, 79	SEAT FOAM.....	93
ACCELERATOR RODS.....	38, 74	DASH-AREA.....	85, 87	HEATER KNOBS.....	80, 85, 88	SHAFT(MAIN)-DISTRIBUTOR.....	51
ACCELERATOR SPRING, BRACKET.....	38	DECALS,INSTRUCTIONS & LABELS.....	19	HEATER VACUUM HOSE KITS.....	78, 129	SHIFTER & LINKAGE.....	105
ACTUATOR-HEADLIGHTS.....	78	DECK LID.....	22	HOLLEY CARBURETORS.....	47	SHIFTER BOOTS.....	85, 104
AIR CLEANER SYSTEMS.....	28	DIPMER SWITCH GROMMET.....	60, 84	HOOD LATCHES, HINGES & BOLTS.....	81	SHIFTER INDICATOR.....	85
AIR CONDITIONING.....	1	DIPSTICKS & TUBES-OIL.....	57	HOODS.....	71, 80	SHOCK MOUNT-REAR/LOWER.....	114
AIR DAMS.....	68	DISTRIBUTORS.....	49	HORN CONTACT.....	108	SHOCKS-REAR.....	114
ALTERNATOR BRACKETS.....	30	DOME LIGHTS.....	90, 96	HORN RELAYS.....	61, 117	SHROUDS-RADIATORS.....	16
ALUMINUM WHEELS.....	128	DOOR HANDLE.....	26	HORN SYSTEMS.....	61	SIDE EXHAUST.....	67
AMPLIFIER MODULE.....	55	DOOR MOLDINGS.....	26	HOSE CLAMPS.....	15, 18	SIDE VENTS/Front FENDERS.....	68
ANTENNA.....	2	DOOR OPENING CONTROL-INSIDE.....	24	HOSE KIT-HEATER & AC VACUUM.....	1, 79	SIDE YOKES-REAR END.....	104
ARM RESTS-CENTER CONSOLE.....	84	DOOR PANEL TRIM.....	89	HOSE KITS/EMISSIONS.....	34	SILL PLATES.....	24, 94
ASH TRAY.....	85	DOOR PANELS.....	89	HOSE KITS/HEADLIGHT & WIPER SYSTEM SYSTEM.....	78, 129	SOFT TOP.....	121
AUTOMATIC TRANS. SHIFTER CABLE.....	105	DOOR-HINGE PILLAR.....	23	HOSE-CRANKCASE VENT.....	28	SOLENOIDS/SPARK CONTROL.....	37
BACK-UP LIGHT SWITCH.....	119	DOOR-INTERNAL.....	24, 118	HOSE-WATER PUMP BYPASS.....	17, 60	SPARK PLUG WIRES.....	54
BACKUP LIGHTS.....	96	DUST SHIELDS-BRAKES/Front.....	110	HOSES-BRAKE SYSTEM.....	6	SPARK PLUGS.....	54
BALL JOINTS.....	109	DUST SHIELDS-BRAKES/REAR.....	112	HOSES-HEATER, RADIATOR & OVERFLOW.....	1, 17, 79	SPEAKERS.....	102
BATTERIES.....	3	DYE INTERIOR.....	90	HUBCAPS.....	127	SPEEDOMETER.....	76
BATTERY CABLES.....	3	ELECTRONIC IGNITION CONVERSION.....	50	IDLER PULLEYS.....	59	SPINDLE/Front END.....	110
BATTERY CUT-OFF SWITCH.....	3	EMBLEMS.....	21, 27, 81	IGNITION SHIELDING-327/350.....	53	SPLASH SHIELDS/ENGINE COMPARTMENT.....	62
BATTERY MOUNTING REINFORCEMENTS.....	3, 4	EMISSION SYSTEM.....	3	IGNITION SHIELDING-427/454.....	54	SPLASH SHIELDS/Front BRAKES.....	110
BEARING SUPPORT-REAR TRAILING ARM.....	115	ENGINE ASSEMBLY COMPONENTS 327/350.....	33	IGNITION SWITCHES, NUTS & LOCKS.....	118	SPLASH SHIELDS/REAR BRAKES.....	112
BEARINGS-Front WHEELS.....	110	ENGINE ASSEMBLY COMPONENTS 427/454.....	34, 57	IGNITION SYSTEM.....	49	SPOILERS.....	68
BEARINGS-REAR END.....	103	ENGINE MOUNTS.....	57	INSULATION-UNDER BODY.....	4, 62, 89, 123, 124	SPRINGS-Front COILS.....	110
BEARINGS-REAR SPIDLE/TRAILING ARMS.....	114	ENGINE-TUNE UP PARTS.....	55	INTAKE MANIFOLD & RELATED-327/350.....	56	STARTERS & RELATED.....	59
BELL HOUSING & BOLTS.....	14, 15	EVAPORATORS-AC.....	1	INTAKE MANIFOLD & RELATED-427/454.....	56	STEEL WHEEL.....	128
BELT CHART.....	31, 32	EXHAUST APPLICATION CHART.....	65	INTERIOR KITS/PACKAGES.....	89	STEERING BOX.....	111
BELTS-ENGINE.....	31	EXHAUST MANIFOLD BOLTS & STUDS.....	35	J56 BRAKES.....	9	STEERING COLUMNS & RELATED.....	108
BEZEL-SMALL GAUGE CLUSTER.....	75, 85, 88	EXHAUST MANIFOLDS.....	36	JACKS.....	106	STEERING DAMPER.....	112
BODY LIFT KIT.....	4	EXHAUST PANEL & HARDWARE.....	4, 72	KEYS.....	96	STEERING WHEEL.....	109
BODY MOUNT & REINFORCEMENTS.....	4	EXHAUST PIPES.....	67	KICK PANELS.....	90, 91	STORAGE COMPARTMENT.....	91
BOOSTERS-POWER BRAKE.....	9	EXHAUST SYSTEMS.....	65	KNOBS-DASH.....	80, 85, 88	STRUT ARMS.....	116
BRAKE BLEEDER KIT.....	6	EXPANSION TANK.....	17	LABELS.....	19	SUN VISORS.....	94
BRAKE BLOCK CLIPS & HOSES.....	6	EXPANSION VALVE-AC.....	2	LENSES-DASH CLUSTER.....	85	SUSPENSION BUMPERS/Front.....	109
BRAKE KITS.....	8	EXTENSIONS-EXHAUST PIPES.....	67	LENSES-SPEEDO/TACH.....	76	SUSPENSION BUMPERS/REAR.....	117
BRAKE LINES.....	8	FAN BELTS - 327/350.....	32	LICENSE AREA-Front.....	11, 69	SUSPENSION BUSHINGS/Front.....	110
BRAKE PEDAL PADS.....	8, 73	FAN BELTS - 427/454.....	32	LICENSE AREA-REAR.....	13, 69	SUSPENSION BUSHINGS/REAR.....	116
BRAKE SYSTEM.....	6	FAN BLADE-ENGINE.....	17, 58	LIGHTER.....	86	SUSPENSION KITS.....	110
BULB & BULB KITS.....	95, 132	FENDER SEALS.....	62	LIGHTS, LAMPS & LENSES/Front.....	95	SUSPENSION-Front.....	109
BULBS-HEADLIGHT.....	95	FIBERGLASS.....	69	LIGHTS, LAMPS & LENSES/REAR.....	96	SUSPENSION-REAR.....	6, 112
BUMPER COVER RETAINERS/Front.....	5, 12, 70	FILTER-OIL.....	57	LOCKS-DOOR, GLOVE COMP.,IGN.....	24, 96	SWAY BAR-REAR.....	116
BUMPER COVER RETAINERS/REAR.....	13	FILTER-TACHOMETER.....	75	LUGGAGE RACK.....	68	SWAY BAR/Front.....	111
BUMPER COVER-Front 73-82.....	13, 70	FLIGHT/CRANKCASE BREATHER.....	34	MASTER CYLINDERS W/O POWER BRAKES.....	10	SWITCHES-ELECTRICAL.....	35, 117
BUMPER COVER-REAR 74-82.....	13, 72	FIREWALL INSULATION.....	89	MASTER CYLINDERS WITH POWER BRAKES.....	9	T-TOPS.....	121, 122
BUMPER-TRAILING ARM.....	117	FIREWALL-FIBERGLASS.....	70	MIRRORS-EXTERIOR.....	97	TAIL LIGHTS.....	96
BUMPERS & BRACES-Front 68-72.....	11	FITTINGS-INTAKE.....	17, 56, 79	MIRRORS-INTERIOR.....	98	TAIL PIPE BEZELS.....	67
BUMPERS & BRACES-REAR 68-73.....	13, 69	FLASHERS/TURN SIGNALS-4WAY.....	118, 132	MOTOR MOUNTS.....	57	TEMPERATURE SENDERS.....	118
BUSHING-STABILIZER BAR/Front.....	110, 111	FLOOR MATS.....	89	MOTOR-HEATER & AC BLOWER.....	80	TIE STRAP KITS.....	65
BUSHING-STABILIZER BAR/REAR.....	116	FLOOR PAN-METAL.....	4, 69	MOTOR-POWER WINDOWS.....	27	TIE TROD ENDS.....	112
BUSHINGS-TRAILING ARMS.....	117	FLOOR PLUGS.....	4, 60, 84	MUFFLERS-EXHAUST.....	66	TIMER/COURTESY LIGHTS.....	118
CABLE-TACHOMETER.....	14	FLYWHEEL.....	15	NEUTRAL SAFETY SWITCH.....	15, 119	TIMING CHAIN,COVERS & BOLTS.....	59
CABLES SPEEDOMETER.....	14	FRAME.....	4, 72	OIL FILL TUBES & CAPS.....	57	TIRES.....	127
CABLES-AC.....	1, 79	FRAME SECTIONS & BRACKETS.....	73	OIL FILTER & VALVE.....	57	TOOLS.....	120
CABLES-HOOD.....	81	FRENCH LOCKS-EXHAUST.....	36	OIL PANS.....	58	TRAILING ARMS.....	117
CABLES-PARKING BRAKE.....	10	FRENCH LOCKS-REAR SUSPESION.....	112	OIL SYSTEM.....	57	TRANSISTORIZED IGNITION.....	55
CABLES-SEAT BELT RETAINING.....	92	FUEL FILTERS & BRACKETS.....	47	PAINTS.....	73, 98, 112	TRANSMISSION MOUNTS.....	124
CABLES-SPEEDOMETER.....	14	FUEL INJECTION.....	49	PARKING BRAKE SHOES.....	10	TRANSMISSION-AUTOMATIC.....	105, 108, 123
CABLES-TACHOMETER.....	14	FUEL LINE HOSES.....	48	PARKING BRAKE SYSTEM.....	10	TRANSMISSION-MUNCIE.....	14, 124
CABLES-VENT & HEATER.....	1, 79	FUEL LINES-TANK TO PUMP.....	48	PARKING LAMPS.....	95	TRIM RINGS/RALLYE WHEELS.....	127
CALIPERS-BRAKES.....	6	FUEL PUMPS.....	48	PCV SYSTEM.....	9, 28, 29, 58	TRIM TAG.....	22
CAM-ENGINE.....	33	FUEL SENDING UNIT IN TANK.....	74	PEDAL PADS-BRAKES & CLUTCH.....	8, 15, 73	U-JOINTS,AXLES & 1/2 SHAFTS.....	113
CAPACITORS-RADIO.....	31, 101	FUEL TANKS.....	74	POWER STEERING.....	98	VACUUM ADVANCE LINES.....	51
CARBURETOR LINKAGE.....	38	FUSES.....	132	POWER STEERING HOSES.....	99	VACUUM ADVANCE/DISTRIBUTOR.....	51
CARBURETOR REBUILDING KITS.....	40	GAS DOOR.....	73	POWER WINDOW KITS.....	27	VACUUM FITTING-INTAKE.....	56
CARBURETOR-HOLLEY 1X4.....	40	GAS PEDALS.....	73	POWER WINDOW SYSTEM.....	26	VALVE COVERS & BOLTS.....	59
CARBURETOR-HOLLEY 3X2.....	40	GASKETS-BODY.....	75	PROPORTIONING VALVE-BRAKE.....	6	WATER DIVERTER-DOOR SILL.....	24, 94
CARBURETOR-ROCHESTER Q-JET.....	47	GAUGE BEZEL.....	75, 85, 88	PULLEYS.....	31, 58	WATER PUMP & FITTINGS.....	60
CARBURETOR, GASKETS.....	38	Gauges.....	75	QUARTER TRIM PANELS-REAR.....	90	WEATHERSTRIP CLIPS.....	125
CARPET.....	84	GEARS-POWER WINDOW REGULATORS.....	27	RADIATOR.....	18	WEATHERSTRIPS.....	125
CARPET INSULATION/HEAT BARRIERS.....	84	GLASS/WINDOWS.....	129	RADIATOR CAPS.....	17	WHEEL BEARING-Front.....	110
CENTER GAUGE BEZEL.....	75, 85, 88	GLOVE BOX.....	89, 97	RADIATOR CORE SUPPORTS.....	16	WHEEL BEARING-REAR.....	114
CENTER/Drag LINK W/ PS.....	99, 112	GRILLE.....	77	RADIATOR OVERFLOW TANKS.....	67	WHEELS.....	128
CENTER/Drag LINK W/O PS.....	112	GRILLE-WIPER AREA.....	131	RADIATOR SEALS.....	11	WINDOW CRANKS.....	26, 88
CIRCUIT BOARDS-GAUGES.....	75, 134	GRILLES-HOOD.....	81	RADIATOR SHROUD.....	16	WINDOW GLASS.....	129
CLOCKS.....	14	GRILLES-VENT.....	68, 79	RADIO ANTENNA.....	2	WINDOW STICKER.....	22
CLUTCH ASSEMBLY.....	14	GROMMETS-BODY.....	60, 84	RADIO RELATED.....	101	WINDSHIELD MOLDING & CLIPS.....	128
CLUTCH LINKAGE-ENGINE COMPARTMENT.....	14, 15	GROSS GEAR-DISTRIBUTOR.....	50	RAG JOINT COUPLERS.....	108	WINDSHIELD WASHER & WIPER SYSTEM.....	129
CLUTCH-PEDAL TO FIREWALL.....	15, 61	GROUND STRAP/ANTENNA.....	2	REAR END MOUNTING.....	113	WIPER MOTORS.....	131
COILS-DISTRIBUTORS.....	49	HALF SHAFTS.....	112	REAR ENDS &RELATED.....	102	WIRE TIE STRAPS & CLIPS.....	65
COLOR CHARTS-INTERIOR.....	84	HARD TOP & MOUNTING HARDWARE.....	22, 122	REAR STORAGE COMPARTMENT.....	91	WIRING HARNESSSES.....	1, 131
COMPRESSOR-AC.....	1	HARMONIC BALANCERS.....	49, 58	REAR WINDOW-INTERIOR.....	90, 92, 128		
CONDENSOR-AC.....	1	HEAD BOLTS & GASKETS.....	49	RING & PINION.....	103		
CONSOLE EXTENSION PANELS.....	85	HEAD RESTS-SEAT.....	94	RIVETS.....	5, 78		
CONSOLE-PARKING BRAKE.....	85	HEADER BAR-Front END.....	4, 70, 78	ROCHESTER QUADRA JET CARBURETORS.....	45		
CONSOLE-SHIFTER.....	85	HEADER MOLDINGS/INTERIOR.....	90	ROCKER MOLDINGS.....	69		
CONVERTIBLE TOP & HARDWARE.....	22, 121	HEADLIGHTS & SYSTEMS.....	78	RODS-NOSE &GRILLE.....	5, 70, 77		
		HEADLINERS-HARDTOP.....	89	ROTORS-BRAKES/Front.....	7, 110		
		HEADLINERS-T TOPS.....	95	ROTORS-BRAKES/REAR.....	7, 114		
		HEADS-327/350.....	33, 34				

INDEX

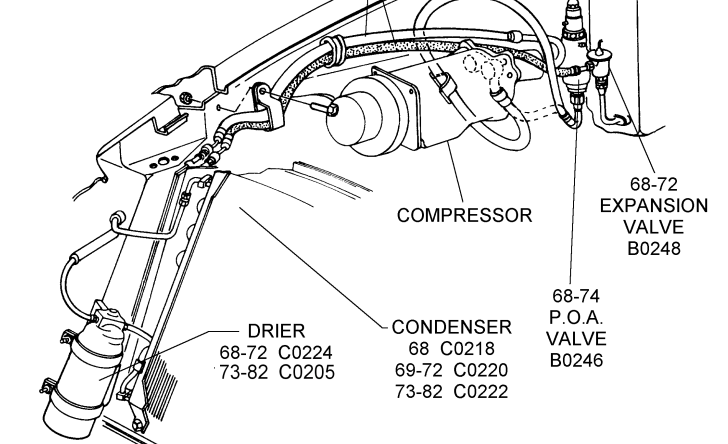
AIR CONDITIONING



427/454 1968-74 AIR COND. COMPRESSOR MOUNTING

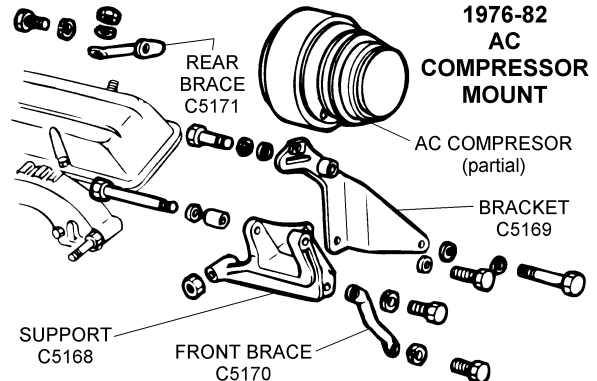


69-82 AIR CONDITIONING MUFFLER & HOSE ASSY.



B0217 68-76 BOLT KIT - hose bracket, lower, 327, incl. lock nut, 'TR' hm4.40

B0219	68-76	BOLT KIT - hose bracket, upper, 327, incl. lock nut & lock washer1.05
B0289	68-76	BOLT KIT - intake bracket, 427, 'TR' hm, incl. lock washer, (4 pc.)8.80
B0204	68-74	BRACE/ROD - AC compressor, 427/45456.00
C5171	76-81	BRACE - AC compressor, (front)13.40
C5170	77-82	BRACE - AC compressor, (front)14.25
C5169	76-82	BRACKET - AC compressor142.95
B0277	68-74	BRACKET - AC compressor, 427/454, front112.00
B5130	69-73	BRACKET - AC compressor hoses to inner fender5.70
B0274	68-76	BRACKET - AC compressor, front, 327/35054.00
B0213	68-76	BRACKET - AC compressor, rear, 327/35016.10
B0202	68-74	BRACKET - AC compressor, rear mount on intake, 427/45469.85
B0276	68-74	BRACKET - AC compressor, 427/454, rear87.45
C0227	69-73	BRACKET - AC freon hose to inner fender8.10
B0280	68-72	BRACKET - AC receiver drier12.45
B0350	68-76	BRACKET - heater hose on AC compressor20.70
C5182	69-76	CABLE - temperature control, w/AC34.95
C5181	77-82	CABLE - temperature control35.00
B0317	68-72	CAP - AC, stv/poa valve7.75
B0318	68-82	CAP - AC, stv/poa valve, (replacement)1.70
B0319	68-72	CAP - AC muffler fitting, brass, hex, original, (ea)10.75
B0266	68	CLAMP SET - freon hose OEM style, (6 pc.)12.45



B0234	68-76	COMPRESSOR - AC, w/clutch, w/o super heat switch259.95
C0213	72-77	COMPRESSOR - w/clutch & super heat switch284.50
C0218	68	CONDENSER - air conditioning299.00
C0220	69-72	CONDENSER - air conditioning199.00
C0222	73-82	CONDENSER - air conditioning224.00

Now you can run the new, low cost, environmentally friendly R134Arefrigerant in your classic. Order our Conversion Kit B0203. Requires no permanent modification to stock system.

C5103	77-82	CONTROL ASSEMBLY - heater/AC, (on console)116.40
B0203	68-82	CONVERSION KIT - for converting from R12 to R134A refrigerant47.50
C0225	76-82	COVER - AC compressor, chrome33.60
C0291	73-77E	DRIER ACCUMULATOR - VIR assembly, restored274.95
C5171	69-72	EVAPORATOR - air conditioning289.00
C0214	73-77E	EVAPORATOR - air conditioning289.00
C0216	77L-79	EVAPORATOR - air conditioning289.00
C0200	80-82	EVAPORATOR - air conditioning289.00
C0823	80-82	FACE PLATE - heater & air conditioning control17.95
C0230	68-77	GASKET KIT - air conditioning/heater box46.60
C0231	78-82	GASKET KIT - air conditioning/heater box53.35
B9942	68-74	GROUND WIRE - air conditioning compressor11.25
C1080	75	GROUND WIRE - air conditioning compressor9.35
C1081	76-79	GROUND WIRE - air conditioning compressor10.35
C5106	68-77	HEATER CORE - w/air conditioning70.50
C5110	78-82	HEATER CORE - w/air conditioning74.95

NOTE: C0202 can be used as a replacement hose set for 1973-74 big blocks.

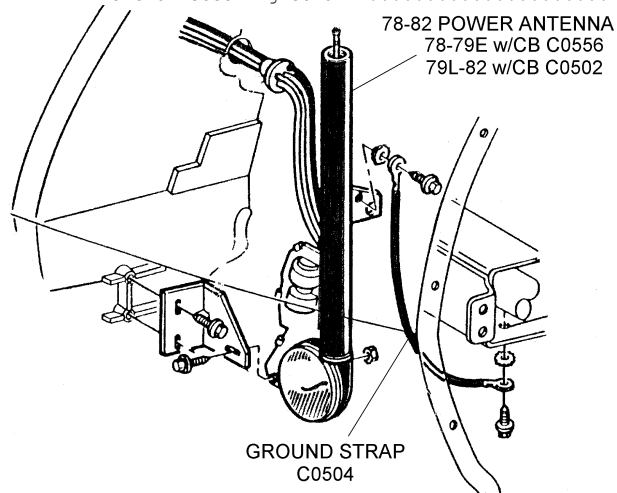
C5150	68-82	HOSE - heater, 3/4' w/90 degree molded end on all AC cars32.50
C5151	68-82	HOSE - heater, 5/8' w/90 degree molded end on all AC cars28.05
C0204	73-76	HOSE ASSEMBLY - 350, main AC compressor212.95
C0206	76-77E	HOSE ASSEMBLY - 350, main AC compressor108.35
C0217	77L-78	HOSE ASSEMBLY - 350, main AC compressor, 77L all, 78 L48184.05
C0208	78-82	HOSE ASSEMBLY - 350, main AC compressor, 78 L82, 79-82 all103.45
C5141	68	HOSE KIT - heater & AC vacuum, w/AC39.95
C5142	69-70	HOSE KIT - heater & AC vacuum, w/AC39.00
C5144	71-75	HOSE KIT - heater & AC vacuum, w/AC34.95
C5146	76	HOSE KIT - heater & AC vacuum, w/AC25.90
C5149	77-82	HOSE KIT - heater & AC vacuum, w/AC40.95
B0258	68	HOSE SET- AC Freon high pressure, (repl.) (3 pc.)65.00
B0211	68-82	INSULATION TAP - black6.00
C5111	68	LENS - heater/AC selector control, w/AC14.45
C5115	69-71	LENS - heater/AC selector control, w/AC14.45
C4276	77-82	LENS - heater/AC selector control22.95

C5107	77-82	LEVER - heater/AC selector control	13.25
C5166	77-82	ORIFICE - AC evaporator refrigerant	6.45
B5035	68-82	PAINT - AC condenser, black, improves cooling efficiency	14.65
C5118	77-82	PLATE - heater/AC control face	17.25
C0201	68-72	RECEIVER - drier, NOS, GM#3012944	89.95
C0224	68-72	RECEIVER - drier	48.55
C0237	81-82	RELAY - AC, hi blower cut-out	7.90
B0221	68	RELAY - heater/AC blower	16.95
C0238	69-72	RELAY - heater/AC blower, NOS Delco #1115881	39.95
C0235	69-76	RELAY - heater/AC blower	19.30
C0236	77-79	RELAY - heater/AC blower	27.60
B5183	68-79	SCREW SET - heater blower motor resistor, (2 pc.)	1.20
B0275	68-76	SHIM - rear AC comp. bracket, 327	5.85
C5167	82	STUD - AC compressor brace mount, 2 1/8' long	3.25
B5150	68-82	STUD PLATE - heater box to firewall, (2 req.) (ea)	14.70
B3156	68-74	STUD SET - AC compressor mounting 427/454, (pr)	8.75
B0278	68-74	SUPPORT - AC compressor adjustment, 427/454, front	43.75
C5168	76-82	SUPPORT - AC compressor mount, 350 (used)	139.90
B0272	68-76	SUPPORT - AC compressor, 327/350, front	49.80
B0271	68-76	SUPPORT - AC compressor, 327/350, rear, reconditioned/original	74.50
C0232	68-69	SWITCH - heater, all w/AC, blower low speed, push button, type 2 Terminal mounts under dash on heater AC plenum, NOS GM #3870286	39.95
C5114	77-82	SWITCH - heater & AC blower control	15.95
B0249	68	VALVE - heater water control w/AC	26.00
C0207	69-70	VALVE - heater water control, w/o AC	26.25
C5154	76-78	VALVE - heater water control	76.30
C5153	79-82	VALVE - heater water control	29.50
B0246	68-72	VALVE - POA, (restoration of your original valve, show quality)	245.00

NOTE: This is not an exchange item, yours must be sent in.

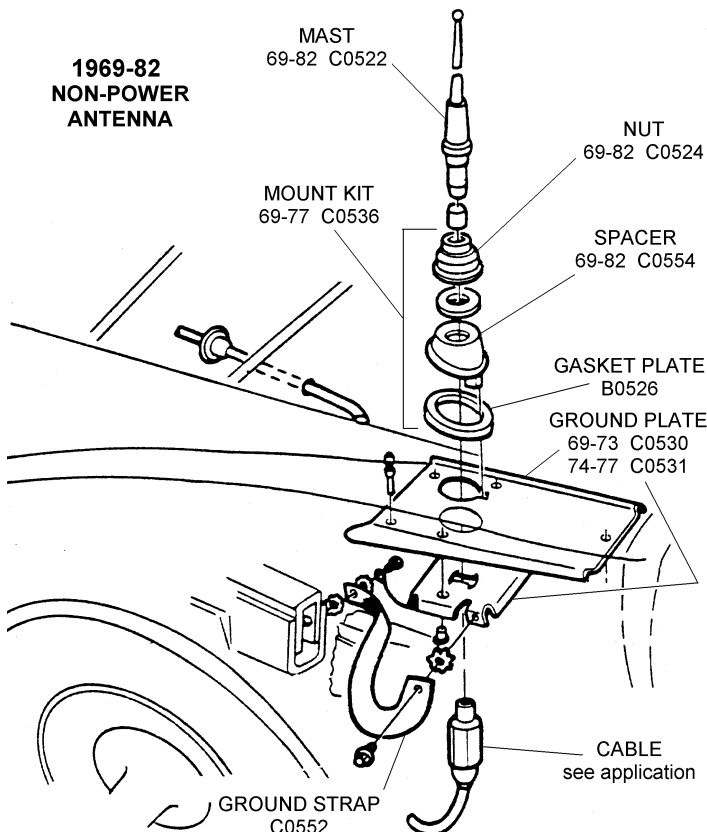
B0248	68-72	VALVE - expansion	69.95
C0223	73-77	VALVE - expansion, vir	62.10

C0534	69-74E	CABLE - antenna to radio, 177'	32.50
C0505	74L-82	CABLE - antenna to radio, 129'	26.25
C0532	74-82	CABLE - antenna to radio, 120'	18.65
C0500	78	CABLE - antenna extension cable	10.65
C0452	68-77	CONVERSION KIT - power antenna, black	186.40
C0550	68-71	CONVERSION KIT - power antenna, chrome	134.45
B0526	68-82	GASKET - antenna mount, (w/o power antenna)	2.25
C0552	68-77	GROUND STRAP - antenna	5.65
C0504	78-82	GROUND STRAP - antenna	14.30
C1039	78E	HARNES - power antenna, radio to relay, all 1st design, courtesy lamp timer located to left of steering column	19.70



C1040	78L	HARNES - power antenna, radio to relay, all 2nd design, courtesy lamp timer located to right of glove box	19.70
C1090	79	HARNES - power antenna, radio to antenna	19.70
C1089	79	HARNES - power antenna, radio to relay	19.70
C1091	80-82	HARNES - power antenna, radio to relay	22.00
B0534	68	MAST - antenna	15.00
C0522	69-82	MAST - fixed antenna, (w/o power antenna)	10.35
B0546	68	MOUNTING KIT - antenna, (chrome nut, bezel & gasket)	13.00
C0536	69-77	MOUNTING KIT - antenna, (chrome nut, bezel & gasket)	15.35
B0522	68	NUT - antenna	7.95
C0588	69-82	NUT - antenna mast, w/o power antenna	3.00
C0524	69-82	NUT - antenna, w/o power antenna	10.50
C0544	79-82	NUT - antenna, w/power antenna	6.50
C0530	68-73	PLATE - antenna mount ground	26.95
C0531	74-77	PLATE - antenna mount ground	24.95
C0558	78-79	RELAY - power antenna	37.50
C0506	78-82	REPAIR KIT - power antenna mast, w/o CB, w/instructions & finial	30.45
B0508	68	SPACER - antenna mount	CALL
C0554	69-82	SPACER - antenna, w/o power antenna	8.40

ANTENNA



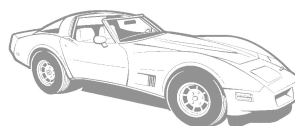
B0532	68	ANTENNA ASSEMBLY - complete, (w/o cable)	49.00
C0518	69-78	ANTENNA ASSEMBLY - complete, (w/o power antenna)	54.95
C0540	79-82	ANTENNA ASSEMBLY - power / all except w/CB	186.20
B0519	68	BODY/BASE - antenna	24.95
B0544	68	CABLE - antenna to radio, 160'	36.95

ORDER BY PHONE:
1-800-872-2446



ORDER BY FAX:
708-458-2662

TECHNICAL QUESTIONS:
708-458-2500

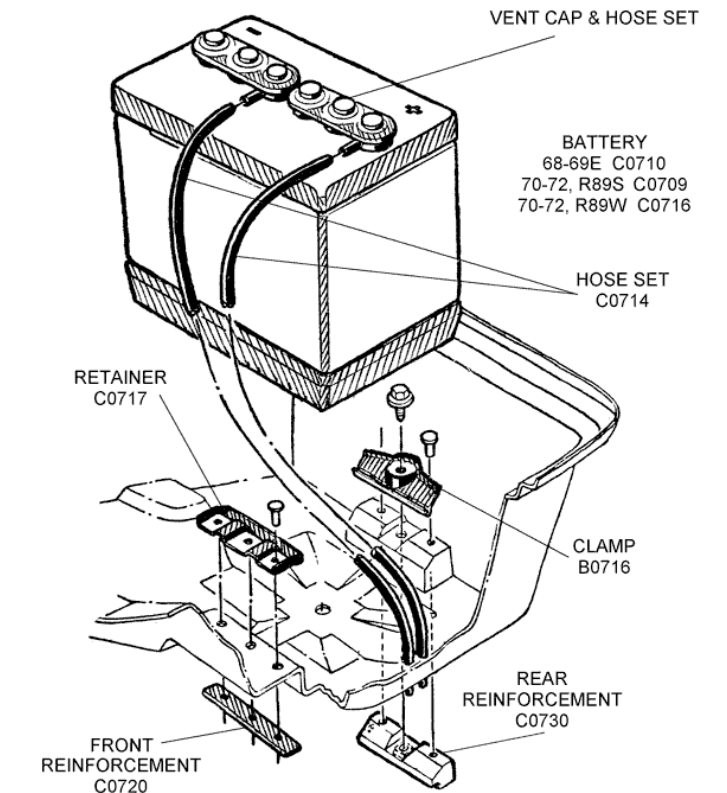


CUSTOMER SERVICE:
708-458-6577

QUESTIONS ABOUT YOUR ORDER:
708-458-2500



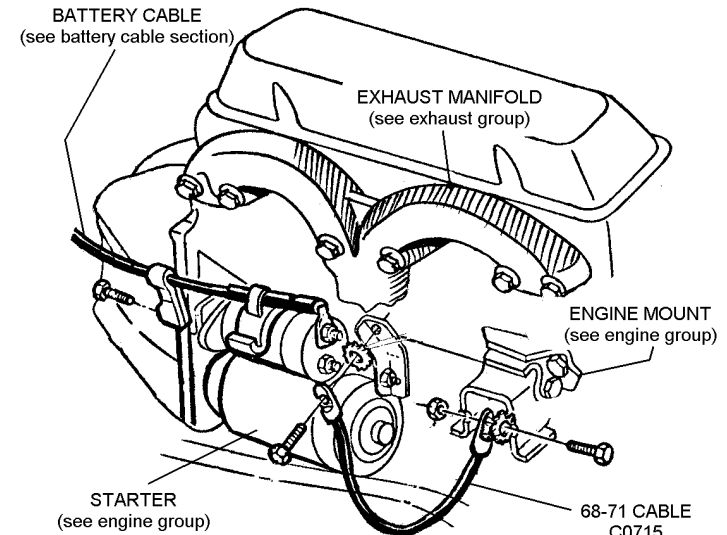
BATTERY & BATTERY CABLES



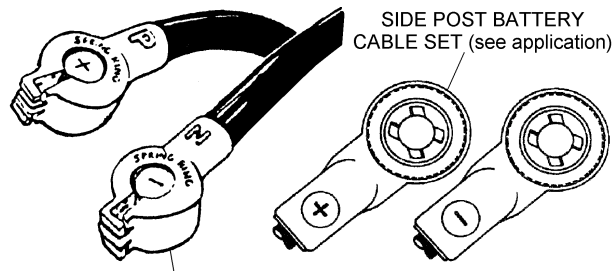
- C0726 68-82 ADAPTER - converts side post battery to accept top post design cable2.50
- C0710 68-69E BATTERY - Delco Energizer R59S, top post, w/correct caps and hoses295.00
- C0703 68-69E BATTERY - Delco Energizer R59S, top post, heavy duty295.00

NOTE: The R59S top post battery was used up to 1969, serial #22081, when they changed to the R79 side post battery for the remainder of 1969 and early 1970 production. All batteries are drop shipped from the factory so they must be pre-paid. No C.O.D.s.

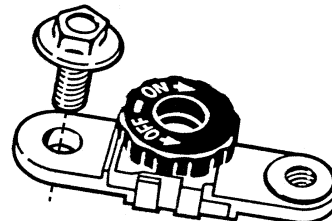
BATTERY CABLE
(see battery cable section)



- C0716 70L-73 BATTERY - Delco Energizer R89W, side post, all w/427/454, w/replacement caps295.00
- C0725 69L-70E BOLT - battery cable, side terminal, w/7/16" head, NOS (after SN #22081 1969)6.95
- B0731 68-82 BOLT - battery hold-down1.75
- C0706 70-75 CABLE - battery, negative, (replacement)13.50
- C0708 76-82 CABLE - battery, negative, (76-79 replacement)13.55
- C0704 70-82 CABLE - battery, positive, (70-79 replacement)48.95
- C0715 68-71 CABLE - battery, ground, starter to frame34.70
- C0700 68-71 CABLE - starter to frame, ground16.90
- C0719 72-82 CABLE - starter to frame, ground16.90



- C0701 68-69E CABLE SET - battery, spring ring, 2 gauge heavy duty cable, as original, for top post battery108.00
- C0722 69L CABLE SET - battery, side post battery, 2 gauge w/grommets, (pr)108.00
- C0712 70 CABLE SET - battery, side post battery, 2 gauge, w/grommet, (pr)108.00
- C0713 71 CABLE SET - battery, side post battery, 2 gauge, w/grommet, (pr)108.00
- C0723 72-74 CABLE SET - battery, side post battery, 0 gauge w/grommets, (pr)108.00
- C0724 75-79 CABLE SET - battery, side post battery, 0 gauge w/grommets, (pr)108.00
- B0716 68-82 CLAMP - battery hold down w/bolt5.00
- A0767 68-72 DATING SERVICE - battery, on Delco Energizer25.00
- A0713 68-82 FELT SET - battery terminals, prevents corrosion, (pr)2.75
- C0714 68-75 HOSE SET - battery cap vent, (pr)9.10
- C5887 68 INSULATION SET - jack/battery compartment, correct materials as original, (2 pc.)78.00
- C0721 68-82 MAT - under battery, prevents corrosion, 8'x 12'6.95
- C0720 68-82 REINFORCEMENT - battery hold down, front, rivets to under body8.40
- C0730 68-82 REINFORCEMENT - battery hold-down, rear9.00
- C0717 68-82 RETAINER/CLAMP - battery, rivets to floor4.50
- C0705 68-75 STRAP - battery cable retainer, positive cable to engine block on RH side, Plastisol dipped as original11.25
- B5150 68-82 STUD PLATE-negative battery cable to under body tunnel, (6 req.) (ea)14.70



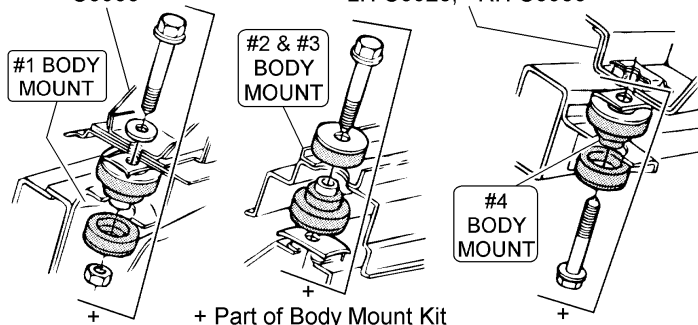
- C0718 68-82 SWITCH - battery disconnect, side post style13.25
- Don't ever worry about battery drain again. This unique switch installs in minutes and reduces the chance of theft or electrical fires on stored Corvettes. Simply twist the switch to cut current from the battery. Another twist and you're on your way. Remove the knob and your "dead" Corvette is a thief's nightmare. Can easily be removed to return your Corvette to original condition. N.C.R.S. bonus points for use.
- A0700 53-82 SWITCH - battery disconnect, top post style battery13.25

BODY MOUNTING & ASSEMBLY

Body Mount Kits

#1 BODY MOUNT AT FIREWALL
C0900

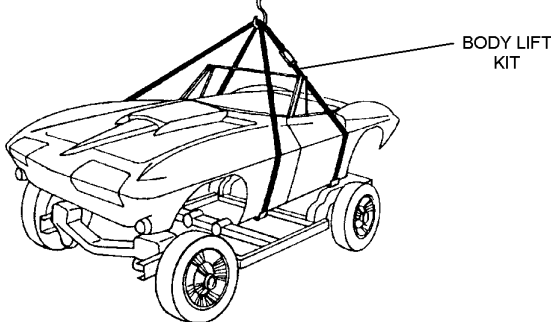
#4 BODY MOUNT REINFORCEMENT ON BODY
LH C0928, RH C0930



C0902	68-72	BODY MOUNT KIT	119.95
C0904	73-75	BODY MOUNT KIT - convertible	129.95
C0906	73-82	BODY MOUNT KIT - coupe, w/original rubber cushion	129.95
C0914	73-82	CUSHION SET - body mount, polyurethane	83.25
C0915	73-82	CUSHION SET - individual upper and lower oem design (does one mount point only)	19.95
C0909	73-82	GROMMET KIT - body mount, w/washers & 16 polyurethane	59.95
C0903	73-82	HARDWARE KIT - body mount, bolts, shims, nuts & washers (no cushions)	53.95

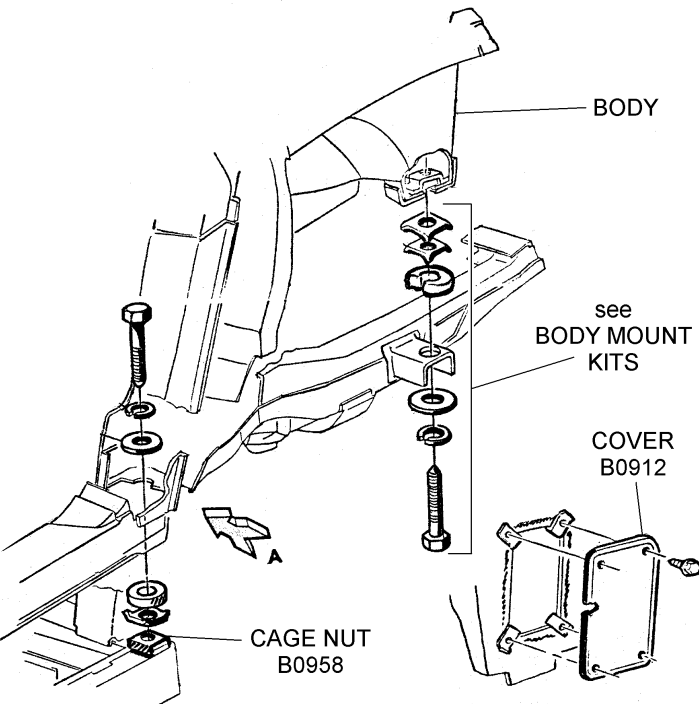
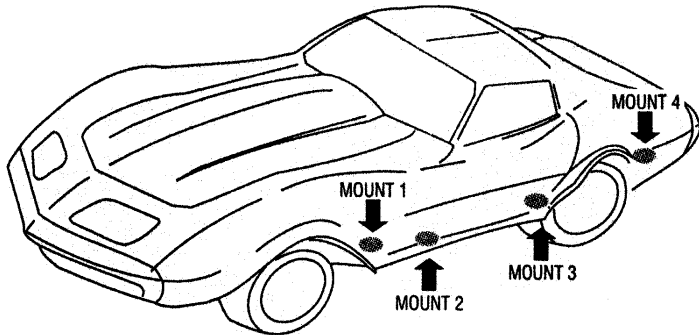
C7536	75-77	FLOOR PAN - metal, w/sill extension, LH	289.95
C7537	75-77	FLOOR PAN - metal, w/sill extension, RH	289.95
C7539	78-82	FLOOR PAN - metal, LH, (exc. 81-82 w/power seat)	289.95
C7541	81-82	FLOOR PAN - metal, LH w/power seat	289.95
C7540	78-82	FLOOR PAN - metal, RH	289.95
B0890	68-72	CUSHION SET - body mount, polyurethane	49.95
C0905	68-82	HEADER BAR - front header surround	98.30
C8714	68-69	INSULATION - under body blanket, LH	32.50
C8712	68-69	INSULATION - under body blanket, RH	32.50
B8767	68-75	INSULATION - transmission tunnel	35.95

NOTE: Kits C0902, C0904 & C0906 contain bolts, shims, nuts, washers, and cushions.

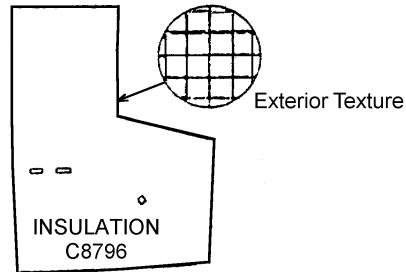


B0942	68-82	LIFT KIT - body	79.95
B0878	68-82	SHIM - body mount, square metal, (ea)	2.00
B0979	68-82	SHIM - body mount, 'U' shaped	1.60
B0879	68-72	SPACER SET - body mount, aluminum, (2 pc.) ..	10.35

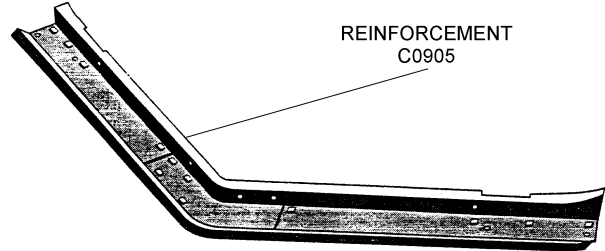
Body Mounting, Other Reinforcements & Miscellaneous



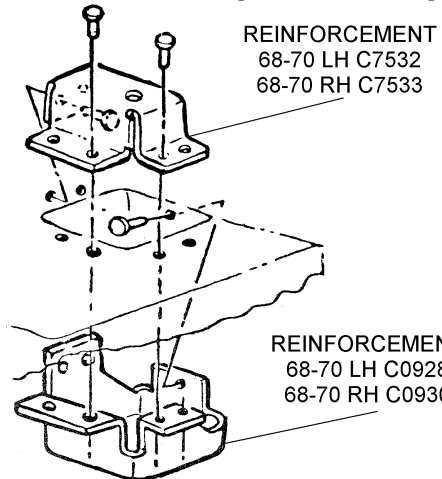
C0954	68-82	BRACKET SET - header bar reinforcement, to inner skirt, LH & RH	30.00
C0907	68-75	BRACKET/STRAP - under body heat shield attaching, (3 req.) (ea)	9.70
B0958	68-82	CAGE & NUT - body mounts, (2 req.) (ea)	13.95
G2600	68-82	CAULK - access plates, strip type	6.45
B0912	68-78	COVER SET - rear body mount access rear wheel, w/screws, (pr)	16.95



C8796	68-69	INSULATION SET - under body blankets, pr	59.95
B0801	68-87	NUT - body mount, (square)	5.90
C3373	68-73	NUT PLATE - rear exhaust valance, w/riev set, (12 pc.)	13.95
C0935	68-74	NUT PLATE - rear seat mount, under body	13.00
G5090	68-82	PAINT - GM chassis, black, 12 oz. aerosol	5.85
G5013	68-82	PAINT - synthetic zinc chromate primer, green	12.35
C5658	68-71	PLUG KIT - floor pan	7.95
C5659	72-75	PLUG KIT - floor pan	9.70



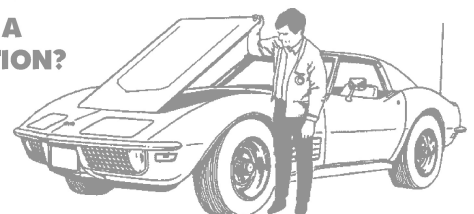
C0720	68-82	REINFORCEMENT - battery hold down, front, rivets to under body	8.40
C0730	68-82	REINFORCEMENT - battery hold-down, rear	9.00
C0900	68-82	REINFORCEMENT - body mount #1 on firewall	25.00
C0928	68-82	REINFORCEMENT - body mount #4 on body, LH ..	41.40
C0930	68-82	REINFORCEMENT - body mount #4 on body, RH ..	62.10

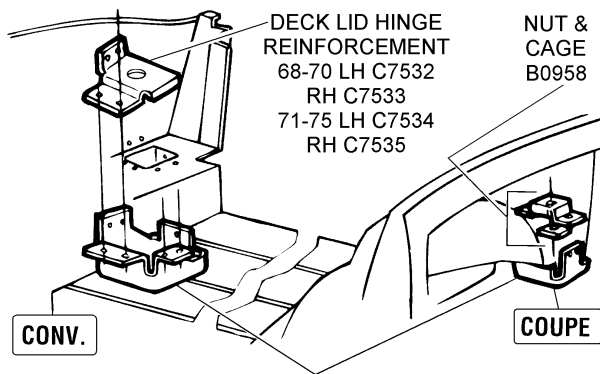


C7532	68-70	REINFORCEMENT - deck lid hinge, convertible, LH, on floor	31.00
C7533	68-70	REINFORCEMENT - deck lid hinge, convertible, RH, on floor	36.20
C7534	71-75	REINFORCEMENT - deck lid hinge, convertible, LH, on floor	31.00

DO YOU HAVE A TECHNICAL QUESTION?

Call our technical department at 708-458-2500 for assistance.





DECK LID HINGE REINFORCEMENT
68-70 LH C7532
RH C7533
71-75 LH C7534
RH C7535

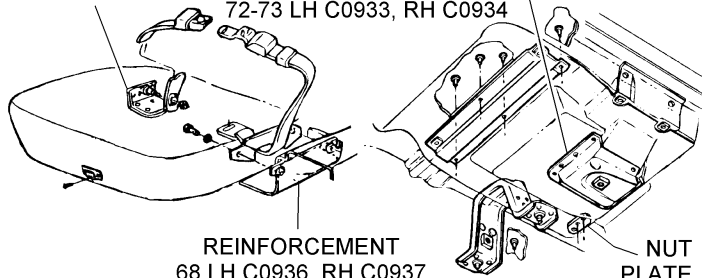
NUT & CAGE
B0958

#4 BODY MOUNT REINFORCEMENT
LH C0928, RH C0930

C7535	71-75	REINFORCEMENT - deck lid hinge, convertible, RH, on floor	31.00
C0952	68-72	REINFORCEMENT - hood surround, (rivets to surround)	116.40
C1248	73-74	REINFORCEMENT - hood surround, (rivets to surround)	112.50
C0936	68	REINFORCEMENT - seat belt, outer, LH	49.00
C0937	68	REINFORCEMENT - seat belt, outer, RH	49.00
C0938	69	REINFORCEMENT - seat belt, outer, LH	49.00
C0939	69	REINFORCEMENT - seat belt, outer, RH	49.00
C0990	68	REINFORCEMENT - seat belt under body, w/weld nut, outside, LH	49.00
C0991	68	REINFORCEMENT - seat belt under body, w/weld nut, outside, RH	49.00
C0992	69	REINFORCEMENT - seat belt under body, w/weld nut, outside, LH	49.00
C0993	69	REINFORCEMENT - seat belt under body, w/weld nut, outside, RH	49.00

REINFORCEMENT
68-69 LH B0969
RH B0968

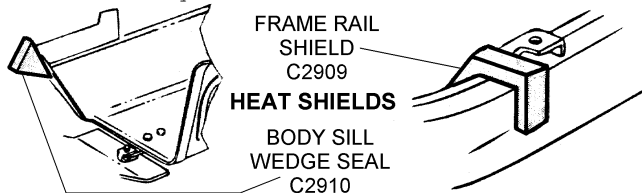
REINFORCEMENT
68-69 LH C0990, RH C0991
70 LH C0956, RH C0957
72-73 LH C0933, RH C0934



REINFORCEMENT
68 LH C0936, RH C0937
69 LH C0938, RH C0939

NUT PLATE
C0935

B0969	68-69	REINFORCEMENT - seat belt under body, w/weld stud, inner, LH	22.10
B0968	68-69	REINFORCEMENT - seat belt under body, w/weld stud, inner, RH	22.10
C0956	70	REINFORCEMENT - seat belt under body, outer, LH	30.45
C0957	70	REINFORCEMENT - seat belt under body, outer, RH	30.45
C0933	72-73	REINFORCEMENT - seat belt under body, LH	68.95
C0934	72-73	REINFORCEMENT - seat belt under body, RH	66.40
C8708	68-69	RETAINER SET - under body insulation, (17 pc.)	35.00
B0934	68-82	RIVET SET - soft aluminum flat head 7/16" long, (50 pc.)	5.20
B0938	68-82	RIVET SET - soft aluminum flat head 5/8" long, (50 pc.)	6.05
C4628	68-72	ROD - nose support, core support to header bar	22.95
C4605	73-79	ROD - nose support, core support to header bar	12.00
B0949	68-82	SCREW SET - rear body mount access covers by rear wheel, (4 pc.)	3.50
C2993	68-69	SHIELD - heat, attaches of frame under floor pan, (2 req.) (ea)	29.00
C0965	73-80	SHIELD SET - body mount, installs outboard of body mount #1	8.25



FRAME RAIL SHIELD
C2909

HEAT SHIELDS

BODY SILL WEDGE SEAL
C2910

C2909	69-75	SHIELD SET - heat, frame rail, mounts between frame rail & under body in front of #2 body mount, (pr)	17.60
C2910	69-75	SHIELD SET - heat, body sill wedge, triangular black shield mounts between firewall & splash shields, along the frame, (pr)	6.25
B5150	68-82	STUD PLATE - fastens: 68-71 horn relay (1 req.), 68-72 splash shield (4 req.), 68-82 heater box to firewall (2 req.), 68-82 neg. battery cable to under body (6 req.) (ea)	14.70

BOOKS, MANUALS & SALES BROCHURES

Assembly Manuals

L0095	68	MANUAL - Corvette assembly	19.95
L0096	69	MANUAL - Corvette assembly	19.95
L0097	70	MANUAL - Corvette assembly	19.95
L0098	71	MANUAL - Corvette assembly	19.95
L0099	72	MANUAL - Corvette assembly	19.95
L0100	73	MANUAL - Corvette assembly	19.95
L0101	74	MANUAL - Corvette assembly	19.95
L0102	75	MANUAL - Corvette assembly	19.95
L0103	76	MANUAL - Corvette assembly	19.95
L0104	77	MANUAL - Corvette assembly	19.95
L0105	78	MANUAL - Corvette assembly	19.95
L0106	79	MANUAL - Corvette assembly	19.95
L0107	80	MANUAL - Corvette assembly	19.95
L0108	81	MANUAL - Corvette assembly	19.95
L0109	82	MANUAL - Corvette assembly	19.95

Judging Manuals

L0308	68-69	MANUAL - NCRS Corvette judging, 2nd edition, 142 pages	42.95
L0309	70-72	MANUAL - NCRS Corvette judging, 2nd edition, 149 pages	42.95
L0411	73-74	MANUAL - NCRS Corvette Judging	42.95
L0412	75-77	MANUAL - NCRS Corvette Judging	42.95
L0413	78-79	MANUAL - NCRS Corvette judging	42.95
L0414	80-82	MANUAL - NCRS Corvette judging	42.95

Numbers Game

L0151	68-72	VETTE VUES FACT BOOK OF THE 1968-72 STINGRAY	56.65
-------	-------	--	-------

Owner's Manuals

L0014	68	MANUAL - Corvette owner's	9.25
L0015	69	MANUAL - Corvette owner's	9.25
L0016	70	MANUAL - Corvette owner's	9.25
L0017	71	MANUAL - Corvette owner's	9.25
L0018	72	MANUAL - Corvette owner's	9.25
L0019	73	MANUAL - Corvette owner's	9.25
L0020	74	MANUAL - Corvette owner's	9.25
L0021	75	MANUAL - Corvette owner's	9.25
L0022	76	MANUAL - Corvette owner's	9.25
L0023	77	MANUAL - Corvette owner's	9.25
L0024	78	MANUAL - Corvette owner's	9.25
L0026	79	MANUAL - Corvette owner's	9.25
L0027	80	MANUAL - Corvette owner's	9.25

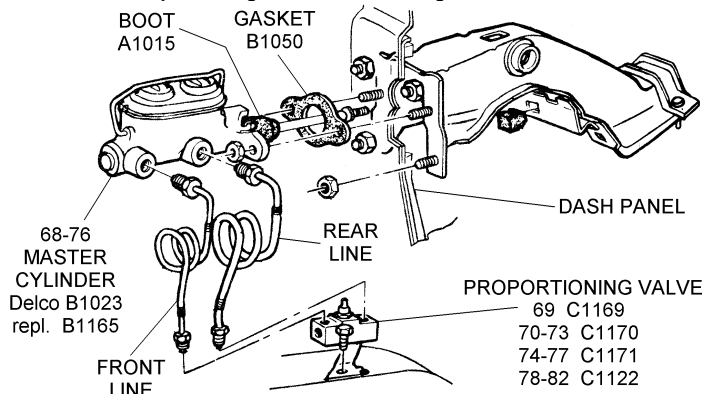
Sales Brochures

L0268	68	SALES BROCHURE - Corvette	10.00
L0269	69	SALES BROCHURE - Corvette	10.00
L0270	70	SALES BROCHURE - Corvette	10.00
L0271	71	SALES BROCHURE - Corvette	10.00
L0272	72	SALES BROCHURE - Corvette	10.00
L0351	75	SALES BROCHURE - Corvette, NOS	10.00
L0290	77	SALES BROCHURE - Corvette, NOS	14.95
L0291	78	SALES BROCHURE - Corvette, NOS	12.00
L0292	79	SALES BROCHURE - Corvette, NOS	12.00
L0293	80	SALES BROCHURE - Corvette, NOS	12.00
L0294	81E	SALES BROCHURE - Corvette, NOS, night scene (August '80)	12.00
L0295	81L	SALES BROCHURE - Corvette, NOS, red corvette (March '81)	14.95

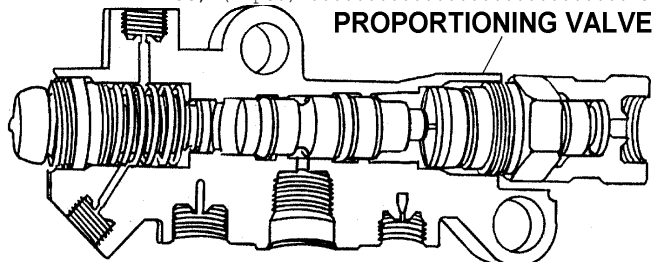
VISIT US ON THE WEB AT
www.ChicagoCorvette.net

BRAKE SYSTEM & RELATED PARTS

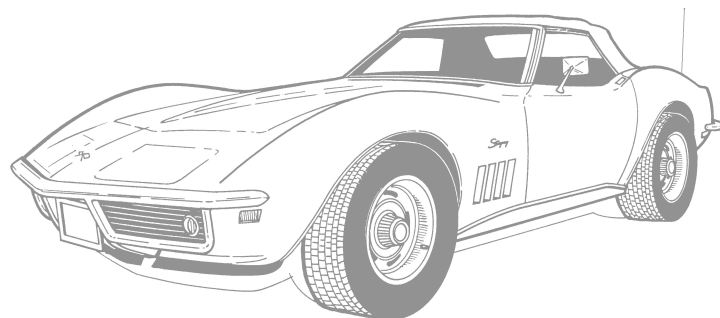
Brake Blocks, Proportioning Valve/Pressure Regulators, Hoses & Related



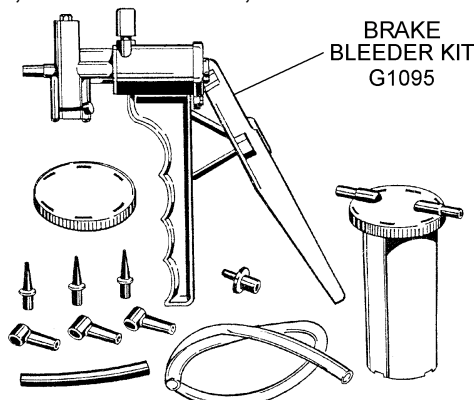
B1186	68	BLOCK - front, LH	33.80
B1190	68-82	BLOCK - rear brake line, LH	17.25
B1191	68-82	BLOCK - rear brake line, RH	17.25
B1131	68	BOLT - rear gas line clamp, 'E' head mark	7.85
C1123	69	BOLT - gas/brake line clamp to frame, 'G' head mark, (ea)	2.25
B1166	68	BRACKET - proportioning valve, standard brake system	28.05
B1175	68	CLIP - brake line, rear crossover, (correct)	17.95
A1136	68-82	CLIP - brake hose, 'U' type	1.45
C1178	68	CLIP KIT - brake & gas lines, w/o gas return line, (18 pc.)	10.35
C3815	69-72	CLIP KIT - brake & fuel line, w/o gas return line, all w/Holley carbs	15.55
C1157	69-72	CLIP KIT - brake & gas lines, w/gas return line, w/Q-jet carb	15.55
C1159	73	CLIP KIT - brake & gas line	14.00
C1160	74-82	CLIP KIT - brake & gas line	24.15
B1194	68-82	HOSE - front brake, rubber, (2 req.)(ea)	14.25
B1195	68-82	HOSE - rear brake, rubber, (2 req.)(ea)	12.65
B1198	68-82	HOSE SET - brake, w/stainless steel braided, front & rear, (4 pc.)	87.95
B1307	68-82	HOSE SET - standard rubber design, 2-B1194, 2-B1195, (4 pc.)	49.95



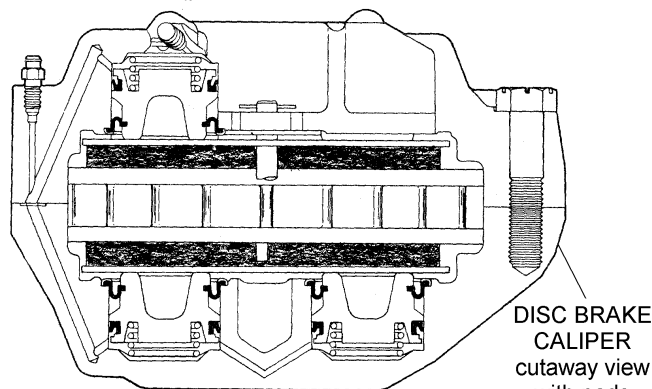
B1280	68	RESTORATION SERVICE/PROPORTIONING VALVE - front/rear brakes, exchange	89.95
B1357	68	PROPORTIONING VALVE - brake system, new	93.50
C1169	69	PROPORTIONING VALVE/PRESSURE REGULATOR - front/rear brakes	109.00
C1170	70-73	PROPORTIONING VALVE/PRESSURE REGULATOR - front/rear brakes	109.00
C1171	74-77	PROPORTIONING VALVE/PRESSURE REGULATOR - front/rear brakes	85.00
C1122	78-82	PROPORTIONING VALVE/PRESSURE REGULATOR - front/rear brakes	95.00
B1196	68-82	WASHER - brake hose, copper, (4 req.)(ea)	1.50



Brake Calipers, Stainless Steel Sleeved, Rotors & Related

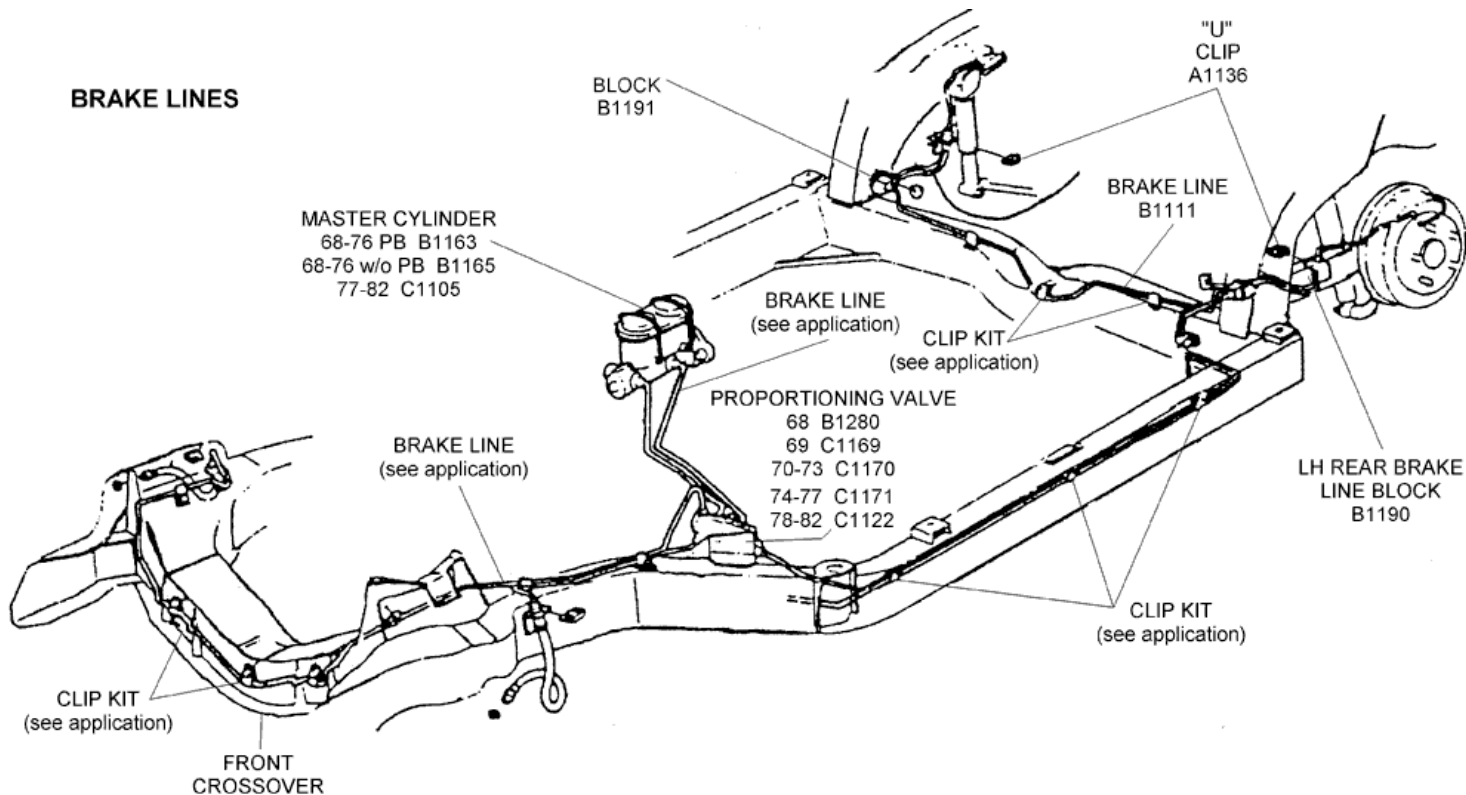


B1049	68-82	ANTI-SQUEAK KIT - brake pads, consists of inserts that clamp onto the trailing edge of each pad., stabilizes the pad so it won't vibrate, kit will do 1 Corvette, (8 pc.)	14.95
G1095	68-82	BLEEDER KIT - brake	45.95
NOTE: Brake Bleeder Kit G1095 is a one man operation. Includes 1" serviceable pump, special reservoir jar with transfer lid, storage lid, brake bleeding adapter package, tubing and instructions.			
S8212	68-82	BOLT - front caliper adapter bracket	32.50
S8041	68-82	BOLT SET - caliper mounting, front, double circle head mark, (4 pc.)	6.95
S8043	68-82	BOLT SET - caliper mounting, rear, double circle head mark, (4 pc.)	5.25
B1098	68-82	BRACKET - caliper mounting, front, LH, reconditioned	44.95
B1099	68-82	BRACKET - caliper mounting, front, RH, reconditioned	44.95
S8126	68-82	BRACKET - caliper mounting, rear, LH, reconditioned	42.00
S8181	68-82	BRACKET - caliper mounting, rear, RH, reconditioned	42.00
B1301	68-82	BRAKE QUIET - disc brake, Permatex	5.25
G5004	68-82	BRAKE QUIET - disc brake	1.80

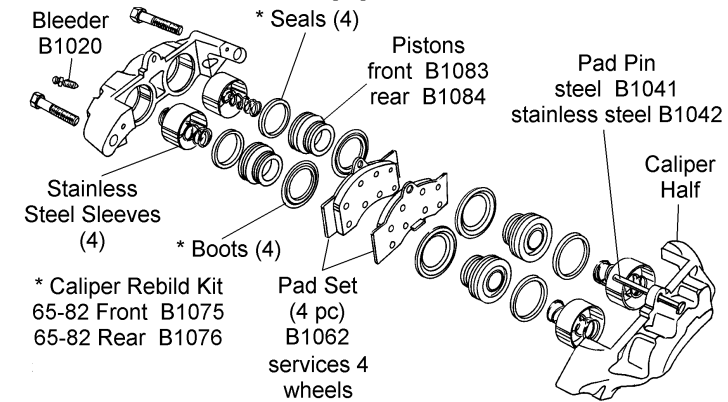


B1052	68-82	CALIPER - front brake, LH, w/exchange	89.95
B1053	68-82	CALIPER - front brake, RH, w/exchange	89.95
B1054	68-82	CALIPER - rear brake, LH, w/exchange	89.95
B1055	68-82	CALIPER - rear brake, RH, w/exchange	89.95
NOTE: Brake calipers are fully assembled, include stainless steel sleeves, stainless steel piston springs, new pad pins, and have new bolts and new seals and pistons. Sleeves carry a lifetime warranty. Seals are guaranteed for 1 year.			
B0784	68-82	CALIPER - front brake, LEFT FRONT, STAINLESS STEEL SLEEVED WITH 'O' RING SEAL SYSTEM, w/exchange	104.75
B0786	68-82	CALIPER - front brake, RIGHT FRONT, STAINLESS STEEL SLEEVED WITH 'O' RING SEAL SYSTEM, w/exchange	104.75
B0785	68-82	CALIPER - rear brake, LEFT REAR, STAINLESS STEEL SLEEVED WITH 'O' RING SEAL SYSTEM, w/exchange	104.75
B0787	68-82	CALIPER - rear brake, RIGHT REAR, STAINLESS STEEL SLEEVED WITH 'O' RING SEAL SYSTEM, w/exchange	104.75
B0788	68-82	CALIPER - front brake, NEW DELCO CASTINGS, LEFT FRONT, STAINLESS STEEL SLEEVED WITH ORIGINAL DESIGN LIP SEALS, NO EXCHANGE	158.95
B0790	68-82	CALIPER - front brake, NEW DELCO CASTINGS, RIGHT FRONT, STAINLESS STEEL SLEEVED WITH ORIGINAL DESIGN LIP SEALS, NO EXCHANGE	158.95
B0789	68-82	CALIPER - rear brake, NEW DELCO CASTINGS, LEFT REAR, STAINLESS STEEL SLEEVED WITH ORIGINAL DESIGN LIP SEALS, NO EXCHANGE	158.95
B0791	68-82	CALIPER - rear brake, NEW DELCO CASTINGS, RIGHT REAR, STAINLESS STEEL SLEEVED WITH ORIGINAL DESIGN LIP SEALS, NO EXCHANGE	158.95

BRAKE LINES

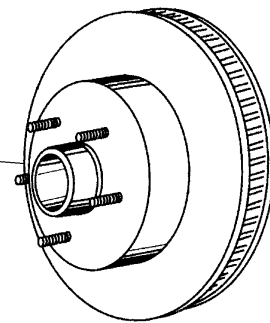


A1025	68-82	FLUID - brake, silicone, DOT 5, quart, (doesn't absorb moisture)	24.95
A1024	68-82	FLUID - brake, standard DOT 3, quart	4.50
A9461	68-82	LUG NUT SET - steel wheels, (4 wheels) (20 pc.)	14.45
B1051	68-82	PAD SET - disc brake, (per axle/2 wheels) (4 pc.)	16.95
B1062	68-82	PAD SET - disc brake, (car set) (8 pc.)	31.95
B1070	68-82	PAD SET - disc brake, semi metallic, heavy duty, (per axle) (4 pc.)	29.95
B1042	68-82	PIN - disc brake pad, (stainless steel)	7.00
B1041	68-82	PIN - disc brake pad, (steel)	2.40
B1285	68-82	PIN SET - disc brake w/dual calipers, (4 pc.)	29.95
B1083	68-82	PISTON - brake caliper, front, large diameter, (4 req. per wheel) (ea)	6.05
B1084	68-82	PISTON - brake caliper, rear, small diameter, (4 req. per wheel) (ea)	5.35



B1075	68-82	REBUILD KIT - front caliper, per wheel	13.95
B1076	68-82	REBUILD KIT - rear caliper, per wheel	13.95
B1077	68-82	REBUILD KIT - front & rear calipers, master kit, contains all necessary seals and 'O' rings, does 4 calipers	46.95
S8350	68-82	RIVET SET - rear rotor to spindle, (5 pc.)	5.25

69-82 ROTOR w/HUB S8045
68-82 ROTOR w/o HUB S8039
68-82 ROTOR (rear) S8146



S8045	69-82	ROTOR - front brake w/hub	324.15
S8039	68-82	ROTOR - front brake, w/o hub, (transfer old hub)	59.00
S8146	68-82	ROTOR - rear	59.00
B1020	68-82	SCREW - brake caliper bleeder, stainless steel	6.00
S8030	68-82	STUD - front rotor, 1 7/8' long	2.60
B1048	68-82	TOOL - pad restrainer, disc brake caliper, (4 pc.)	16.80

Brake Line Car Kits - OEM Style Steel Tubing

C1161	68	LINE KIT - standard brakes	113.00
C1190	68	LINE KIT - power brakes	113.00
C1192	69	LINE KIT - power brakes	113.00
C1163	69	LINT KIT - standard brakes	113.00
C1165	70-73	LINE KIT - standard brakes	118.00
C1194	70-73	LINE KIT - power brakes	118.00
C1107	74	LINE KIT - standard brakes	128.00
C1108	74	LINE KIT - power brakes	128.00
C1167	75-82	LINE KIT - standard brakes	128.00
C1196	75-82	LINE KIT - power brakes	130.90

Brake Line Car Kits - Stainless Steel Tubing

C1162	68	LINE KIT - standard brakes	137.95
C1191	68	LINE KIT - power brakes	134.95
C1164	69	LINE KIT - standard brakes	155.20
C1193	69	LINE KIT - power brakes	155.20
C1166	70-73	LINE KIT - standard brakes	155.20
C1195	70-73	LINE KIT - power brakes	155.20
C1150	74	LINE KIT - standard brakes	155.20
C1151	74	LINE KIT - power brakes	187.00
C1168	75-82	LINE KIT - standard brakes	155.20
C1197	75-82	LINE KIT - power brakes	163.80

Quality - Service - Price
We have it all. Give us a call.

Brake Lines - Stainless Steel - Individual Lines

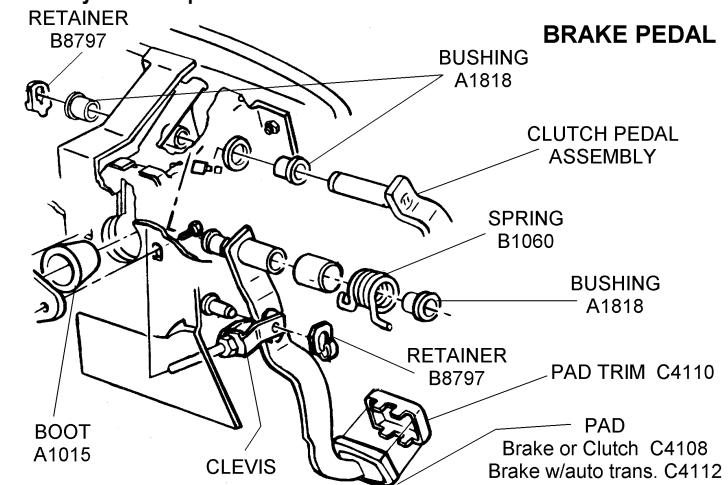
B1119	68	LINE - caliper, rear, w/armor, LH	13.95
B1113	68	LINE - caliper, rear, w/armor, RH	13.95
C1129	69-82	LINE - caliper, rear, w/o armor, LH	12.00
C1172	69-82	LINE - caliper, rear, w/o armor, RH	12.00
B1179	68	LINE - crossover, front, left to right, (11 bends)	32.80
C1100	69	LINE - crossover, front	31.05
C1101	70-73	LINE - crossover, front	46.66
C1102	74-82	LINE - crossover, front	50.00
B1111	68-82	LINE - crossover, rear	23.60
B1107	68	LINE - front to rear, (standard brakes)	55.95
B1109	68	LINE - front to rear, (power brakes)	55.95
C1115	69	LINE - front to rear, (standard & power brakes)	46.65
C1118	75-82	LINE - front to rear, (standard & power brakes)	52.60
B1105	68	LINE - left front block to rubber line	13.50
C1111	69	LINE - left front block to rubber line	12.10
C1113	70-73	LINE - left front block to rubber line	11.90
C1114	74-82	LINE - left front block to rubber line	16.50
C1131	68	LINE - master cylinder brake line, (standard brakes)	23.40
C1135	68	LINE - master cylinder line, power	23.25
B1101	68	LINE - master cylinder to proportioning valve, front, stainless steel	9.60
B1103	68	LINE - master cylinder to proportioning valve, rear, stainless steel	9.60
B1193	68	LINE KIT - rear calipers, w/armor, (pr)	19.35
C1173	69-82	LINE KIT - rear calipers, w/o armor, (pr)	19.35
B1100	68	LINE KIT - master cylinder distribution block, front & rear, (pr)	29.00
C1142	69	LINE KIT - master cylinder, front/rear, (standard brakes) (pr)	44.85
C1146	69	LINE - master cylinder, front to rear, (power brakes) (pr)	48.30
C1155	70-73	LINE - master cylinder, front to rear, (standard brakes) (pr)	48.30
C1156	74	LINE - master cylinder, front to rear, (power brakes) (pr)	43.15

Brake Lines - Standard Tubing - Individual Lines

All brake lines are Tinned Bundy Weld (TBW) steel tubing w/double inverted flares, pressure tested to 200 P.S.I., pressed to original shape. Some have spiral armor as indicated.

B1144	68-82	LINE - rear crossover	16.60
B1142	68-82	LINE - rear caliper, LH	12.45
B1140	68-82	LINE - rear caliper, RH	12.45
C1133	68	LINE - master cylinder brake, standard	19.00
C1134	68	LINE - master cylinder, power	19.00
B1162	68	LINE - master cylinder to proportioning valve, front	12.10
B1164	68	LINE - master cylinder to proportioning valve, rear	29.25
B1181	68	LINE - crossover, front, left to right, 11 bends	29.95
B1120	68	LINE - block to rubber line, left front	10.35
C1109	68	LINE - front to rear, (standard)	31.75
B1134	68	LINE - front to rear, (power brakes)	43.95
C1152	69	LINE - front to rear, (standard & power brakes)	41.40
C1147	69	LINE - left front block to rubber	10.00
C1143	69	LINE - crossover, front	31.65
C1148	70-73	LINE - left front block to rubber	9.85
C1153	70-73	LINE - front to rear, (standard or power brakes)	31.05
C1144	70-73	LINE - crossover, front w/spiral armor	46.65
C1145	74-82	LINE - crossover, front w/spiral armor	50.00
C1149	74-82	LINE - left front block to rubber line	15.10
C1154	75-82	LINE - front to rear, (standard or power brakes)	35.00
C1103	74	LINE KIT - front to rear, (standard or power) (pr)	35.00
B1116	68	LINE KIT - master cylinder, distribution block, (pr)	24.15
C1136	69	LINE KIT - master cylinder front/rear, (standard brakes) (pr)	30.00
C1137	69	LINE KIT - master cylinder front/rear, (power brakes) (pr)	30.00
C1138	70-73	LINE KIT - master cylinder front/rear, (standard brakes) (pr)	30.00
C1139	70-73	LINE KIT - master cylinder front/rear, (power brakes) (pr)	30.00
C1140	74-82	LINE KIT - master cylinder front/rear, (standard brakes) (pr)	36.75
C1141	74-82	LINE KIT - master cylinder front/rear, (power brakes) (pr)	36.75

Brake System Components - Under Dash



A1818	68-82	BUSHING - clutch & brake pedal pivot	3.65
A1014	68-82	NUT SET - brake light switch, (pr)	2.50
C4112	68-82	PAD - brake pedal, auto trans	6.75
C4108	68-82	PAD - brake & clutch pedal	6.90
B8797	68-82	RETAINER - brake/clutch pedal shaft, (ea)	4.00
B1060	68-82	SPRING - brake pedal return	6.45
A8626	69-82	SWITCH - brake light, all 68-76, 77-81 w/4 speed	9.25
C1184	80-82	SWITCH - brake light, automatic except w/cruise control	11.95
C1183	77-82	SWITCH - brake light, 77-80 w/cruise control, 81-82 w/auto cruise	13.75
C4110	68-82	TRIM - brake & clutch pedal pad, stainless steel	8.20
C4114	68-82	TRIM - brake pedal, chrome, automatic transmission	6.00
C1335	68-82	PEDAL ASSEMBLY - manual transmission w/o power brakes / under dash bracket w/both pedals and related / used	275.00
C1336	68-82	PEDAL ASSEMBLY - manual transmission w/power brakes / under dash bracket w/both pedals and related / used	275.00

Brake System Kits

1968-82 CORVETTE BRAKE SYSTEM "PRO" KITS				
B1277	68-76	BRAKE KIT - w/o power brakes		
B1278	68-76	BRAKE KIT - w/power brakes		
C1003	77-82	BRAKE KIT		
A1025	68-82	BRAKE FLUID - silicone, DOT 5 (quart)	2	2 2
B1052	68-82	CALIPER - LH front	1	1 1
B1053	68-82	CALIPER - RH front	1	1 1
B1054	68-82	CALIPER - LH rear	1	1 1
B1055	68-82	CALIPER - RH rear	1	1 1
B1194	68-82	HOSE - brake, front	2	2 2
B1195	68-82	HOSE - brake, rear	2	2 2
B1119	68-82	LINE - rear caliper, LH, stainless steel	1	1 1
B1113	68-82	LINE - rear caliper, RH, stainless steel	1	1 1
B1165	68-76	MASTER CYLINDER - w/o PB (repl.)		1
B1163	68-76	MASTER CYLINDER - w/PB (repl.)		1
C1105	77-82	MASTER CYLINDER - all (repl.)	1	
B1051	68-82	PAD SET - axle (4 pc.)	2	2 2
A1136	68-82	"U" CLIP - brake hose	4	4 4
B1196	68-82	WASHER - brake hose	2	2 2

B1277	68-76	BRAKE KIT / PRO SERIES - W/O power brakes - SEE TABLE FOR CONTENTS	439.95
B1278	68-76	BRAKE KIT / PRO SERIES - w/ power brakes - SEE TABLE FOR CONTENTS	439.95

C1003 77-82 BRAKE KIT / PRO SERIES - w/ power brakes -
SEE TABLE FOR CONTENTS439.95

1968-82 CORVETTE BRAKE SYSTEM "STANDARD" KITS

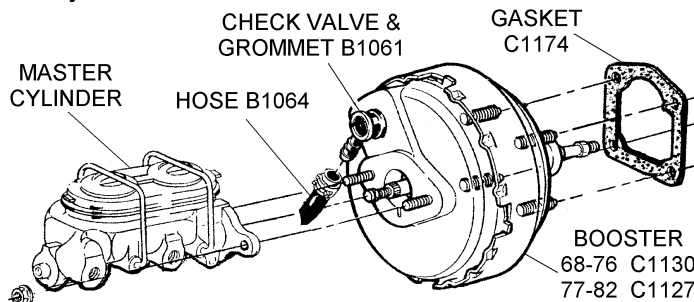
B1272	68-76	BRAKE KIT - w/o power brakes
B1273	68-76	BRAKE KIT - w/power brakes
C1001	77-82	BRAKE KIT
B1052	68-82	CALIPER - LH front
B1053	68-82	CALIPER - RH front
B1054	68-82	CALIPER - LH rear
B1055	68-82	CALIPER - RH rear
B1051	68-82	PAD SET - axle (4 pc.)
B1165	68-76	MASTER CYLINDER - w/o PB (repl.)
B1163	68-76	MASTER CYLINDER - w/PB (repl.)
C1105	77-82	MASTER CYLINDER - all (repl.)

B1272 68-76 BRAKE KIT / STANDARD SERIES - W/O power
brakes - SEE TABLE FOR CONTENTS349.95
B1273 68-76 BRAKE KIT / STANDARD SERIES - W/ power
brakes - SEE TABLE FOR CONTENTS349.95
C1001 77-82 BRAKE KIT / STANDARD SERIES - W/ power
brakes - SEE TABLE FOR CONTENTS349.95

J56 Brake System Components

B1265 68 BRACKET - proportioning valve, J56 brakes ...51.75
B1221 68-69 PAD SET - front, metallic, dual pin, J56
brakes, (4 pc)120.00
B1223 68-69 PIN SET - front pads, w/2 pin holes, J56
brakes, (4 pc)20.50
B1268 68 SUPPORT SET - caliper, J56 brakes175.00

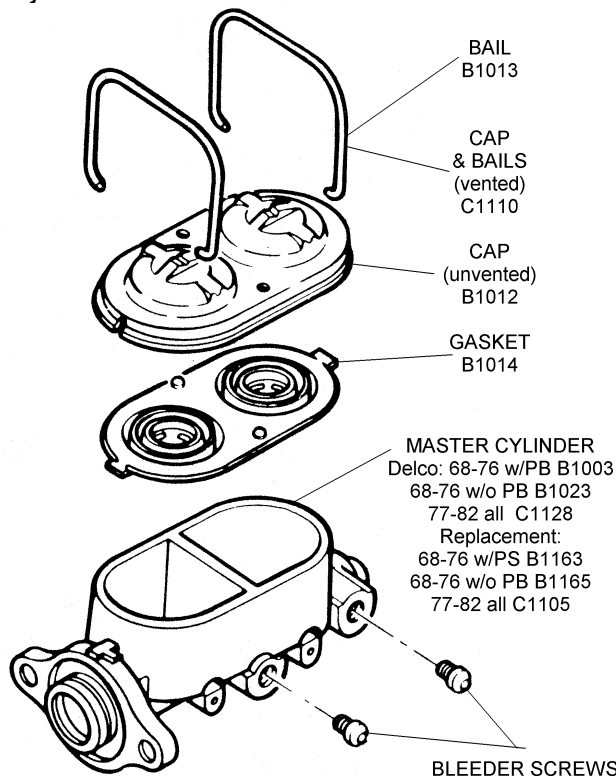
Master Cylinders & Related With Power Brakes



B1013 68-82 BAIL (RETAINER) - master cylinder cap, (2
req.) (ea)3.95
C1130 68-76 BOOSTER - power brake, Delco179.95
C1180 68-76 BOOSTER - power brake, (re manufactured,
exchange)149.95
C1182 77-82 BOOSTER - power brake, painted,
(re manufactured, exchange)139.95
C1127 77-82 BOOSTER - power brake, Delco214.95
C1104 77-78 BOOSTER - power brake, re manufactured,
restored, replated housing w/correct (USS) threads,
exchange159.95
C1106 79-80 BOOSTER - power brake, re manufactured,
restored, replated housing w/metric master cylinder
threads & small seals, exchange159.95
C1117 81-82 BOOSTER - power brake, re manufactured,
restored, replated housing w/metric threads & large
seal, exchange159.95
B1166 68 BRACKET - proportioning valve, brake system .28.05
B1012 68-82 CAP - master cylinder, (non-vented)11.10
C1110 68-82 CAP - master cylinder, w/bails, vented,
w/gasket, exact reproduction37.50
C1112 68-82 CAP - master cylinder, w/bails, polished
stainless steel, w/o gasket39.95
C1189 68-82 CAP & BAIL SET - master cylinder, w/bails,
chrome29.60
B1061 68-74 CHECK VALVE & GROMMET - power brake
booster, front3.75
B0100 68-82 CLAMP SET - power brake booster vacuum
hose, (pr)3.00
A1025 68-82 FLUID - brake, silicone, DOT 5, quart,
(doesn't absorb moisture)24.95
A1024 68-82 FLUID - brake, standard, DOT 3, quart4.50
B1014 68-82 GASKET - master cylinder cap11.50

C1174 68-82 GASKET - power brake booster to firewall6.10
B1064 68-77 HOSE & CLAMP KIT - power brake vacuum,
(repl.)8.30
C1125 70 LINE/TUBE - vacuum, power brake booster to
intake, all w/Q-Jet carburetor attaches to
accelerator cable bracket clamp bolt16.85
C1124 70-72 LINE/TUBE - vacuum, power brake booster to
intake, all LT1 & 71 LS520.20
C1199 71-73 LINE/TUBE - vacuum, power brake booster to
intake, w/ Q-Jet carburetor16.85
B1163 68-76 MASTER CYLINDER - w/power brakes,
(replacement)87.95
B1387 68-72E MASTER CYLINDER - w/power brakes, original
casting #5480346 w/'PG' stamp on front, stainless
steel sleeved & rebuilt w/yellow dichromated
cover, (thru serial #25000)299.95
B1461 68-72E MASTER CYLINDER - new! Delco #5480346
w/'PG' stamped boss as original w/correct lid all
w/power brakes/REPRO109.95
C1179 72L-73 MASTER CYLINDER - w/power brakes, original,
casting #5480346 w/bleeders, stainless steel
sleeved & rebuilt w/yellow dichromate cap, no
machined area w/bleeders, (after serial #25001 in
'72)229.95
C1181 74-82 MASTER CYLINDER - w/power brakes, original,
casting #5480346 w/o bleeders, stainless steel
sleeved & rebuilt w/yellow dichromate cap .209.95
B1003 68-76 MASTER CYLINDER - w/power brakes, (Delco) .130.10
C1128 77-82 MASTER CYLINDER - w/power brakes, Delco as
original109.95
C1105 77-82 MASTER CYLINDER - w/power brakes,
(replacement)75.90
B1287 68-77 MOUNT KIT - master cylinder, (4 pc.)1.75
B1231 68-82 NUT - master cylinder push rod1.00
B1031 68-76 REBUILD KIT - master cylinder, w/power
brakes37.85
C1126 77-82 REBUILD KIT - master cylinder, w/power
brakes40.95
B1125 68-82 SLEEVING/RESTORATION SERVICE - your master
cylinder, w/power brakes, stainless steel sleeved,
tested219.95
B1097 68-82 CAP - master cylinder, w/bails, chrome
plated24.95

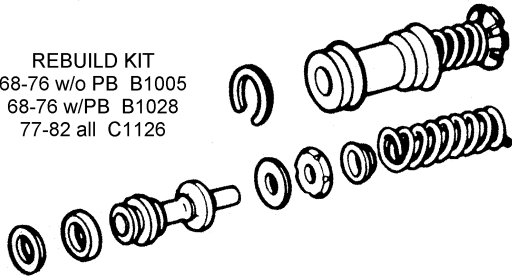
Master Cylinders & Related Without Power Brakes



B1013 68-76 BAIL (RETAINER) - master cylinder cap, (2
req.) (ea)3.95
A1015 68-76 BOOT/SEAL - master cylinder rod, rubber,
w/o P.B.9.95
B1166 68 BRACKET - proportioning valve, brake system .28.05
B1012 68-76 CAP - master cylinder, (non-vented)11.10
C1189 68-76 CAP - master cylinder, w/bails, chrome29.60
C1112 68-76 CAP - master cylinder, w/bails, polished
stainless steel, w/o gasket39.95
C1110 68-76 CAP - master cylinder, w/bails, vented,
w/gasket, exact reproduction37.50

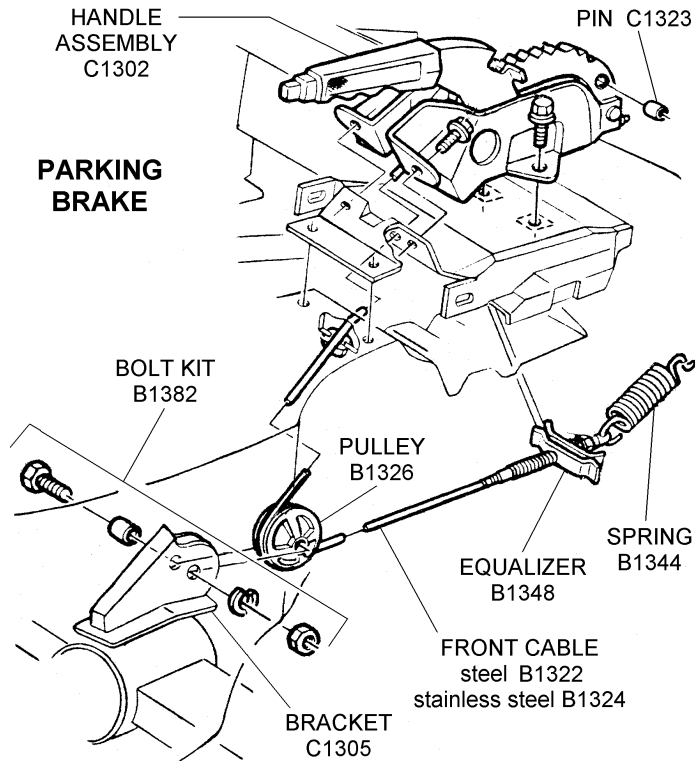
A1025	68-82	FLUID - brake, silicone, DOT 5, quart, (doesn't absorb moisture)	24.95
A1024	68-82	FLUID - brake, standard DOT 3, quart	4.50
B1014	68-76	GASKET - master cylinder cap	11.50
B1050	68-76	GASKET - master cylinder to firewall, (w/o P.B.)	3.65
B1165	68-76	MASTER CYLINDER - w/o power brakes, (replacement)	87.95
B1023	68-76	MASTER CYLINDER - standard brakes, (Delco)	192.80
B1386	68-72E	MASTER CYLINDER - w/o power brakes, original, casting #5455509 mb w/'DC' stamp on front, stainless steel sleeved & rebuilt w/yellow dichromate cover and rear boot	299.95
B1460	68-72	MASTER CYLINDER - new! Delco #5455509 w/'DC' stamped boss as original w/correct lid all w/o power brakes/REPRO	109.95
C1185	72L-73	MASTER CYLINDER - w/o power brakes, original, casting #5455509 w/bleeders, no stamped machine area, stainless steel sleeved & rebuilt w/yellow dichromate cap	259.95
C1186	74-76	MASTER CYLINDER - w/o power brakes, original, casting #5455509 w/o bleeders, stainless steel sleeved & rebuilt w/yellow dichromate cap	259.95
B1287	68-78	MOUNT KIT - master cylinder, (4 pc.)	1.75

REBUILD KIT
68-76 w/o PB B1005
68-76 w/PB B1028
77-82 all C1126



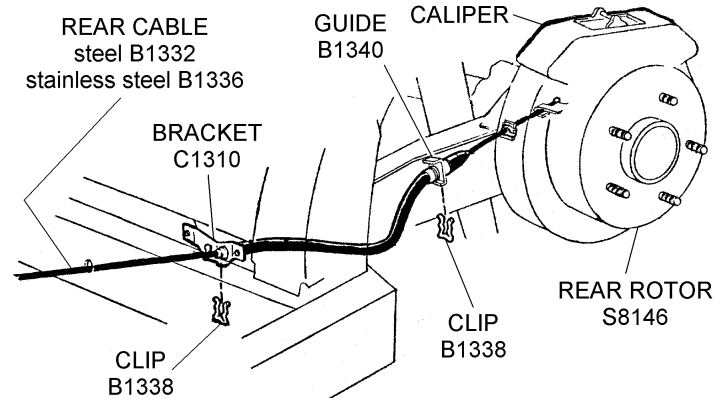
B1005	68-76	REBUILD KIT - master cylinder, 1" bore	35.95
B1125	68-76	SLEEVING/RESTORATION SERVICE - your master cylinder, w/power brakes, stainless steel sleeved, tested	219.95

Parking Brake System Components



B1334	68-82	ADJUSTER - star wheel design, parking brake, (2 req.) (ea)	30.80
B1341	68-82	BOLT/PIN - parking brake shoe anchor	8.10
B1382	68-82	BOLT KIT - park brake cable/pulley, w/nuts/lock washer	1.80
B1359	68-82	BOLT SET - parking brake handle mounting, (2 pc.)	1.75
B1345	68-82	BOOT SET - parking brake cable / as original - easy to install	27.10
C1305	68-82	BRACKET - front parking brake cable pulley, welds to frame	12.10

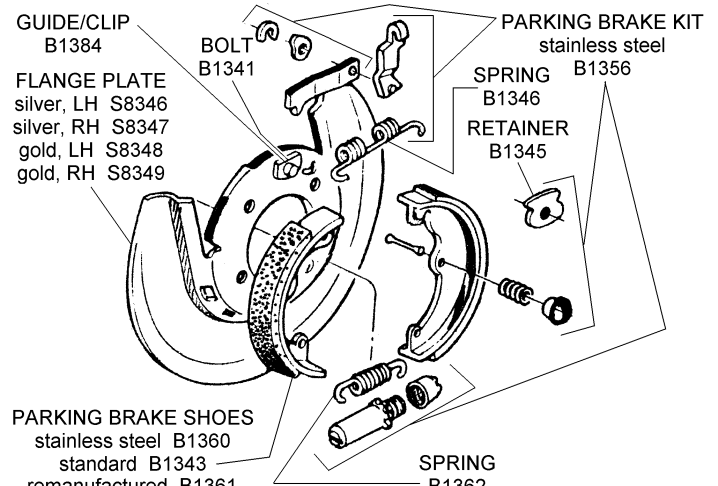
C1310	68-82	BRACKET - rear park brake cable to frame, (68-72 repl)	8.85
B1322	68-82	CABLE - front parking brake	29.50



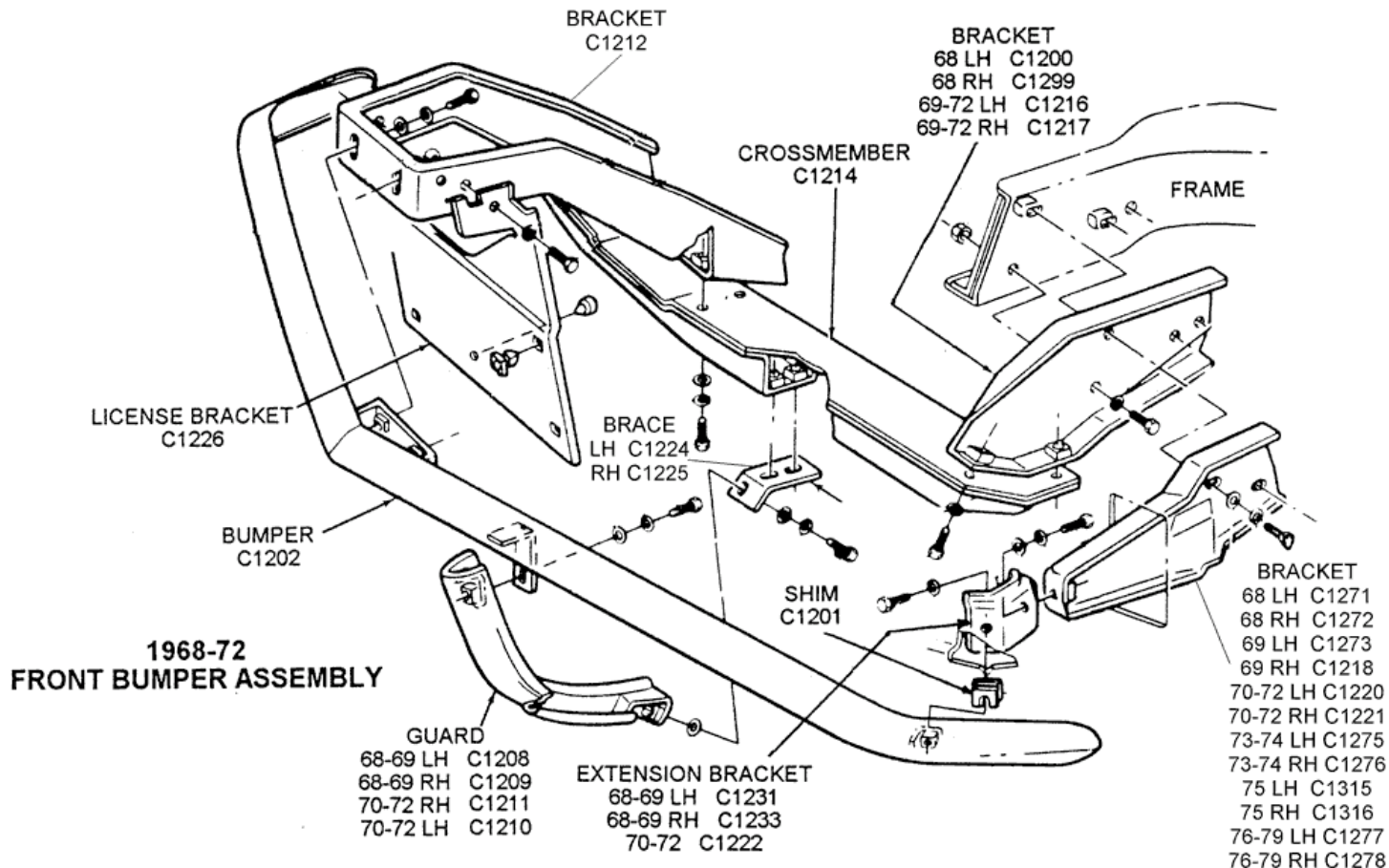
B1332	68-82	CABLE - rear parking brake, (GM)	64.95
B1327	68-82	CABLE - rear parking brake	34.50
B1324	68-82	CABLE KIT - front parking brake, stainless steel	41.75
B1336	68-82	CABLE KIT - rear parking brake, stainless steel	81.95
A1136	68-82	CLIP - rear parking brake, 'U' type	1.45
B1338	68-82	CLIP SET - parking brake cable 'Mickey Mouse', (pr)	3.40
B1348	68-82	EQUALIZER - front parking brake cable	7.95
B1319	68-82	GROMMET - parking brake cable thru floor	5.90
B1340	68-82	GUIDE - parking brake cable, rear, nylon, (ea)	2.05
B1384	68-82	GUIDE/CLIP - parking brake shoes, mounts under anchor bolt	1.75
C1302	68-82	HANDLE/LEVER ASSEMBLY - parking brake, rubber covered	124.95

NOTE: 1968-77E Parking Brake handle was originally made of plastic.

B1339	68-82	NUT SET - parking brake cable to equalizer, (2 pc.)	1.00
B1356	68-82	PARKING BRAKE KIT - stainless steel, replaces all original parking brake components under rotors (except shoes), does both sides	59.95
B1321	68-82	PIN - front parking brake cable to handle lever retainer	1.35
B1426	68-82	PIN - parking brake handle stop	1.00
B1326	68-82	PULLEY - front parking brake cable, nylon	14.10
B1303	68-82	REBUILD KIT - parking brake system, w/new stainless steel parking brake cables, front & rear cable, shoe hardware package, pulley, pulley bearing, bolt kit, return spring & spring tool	239.95

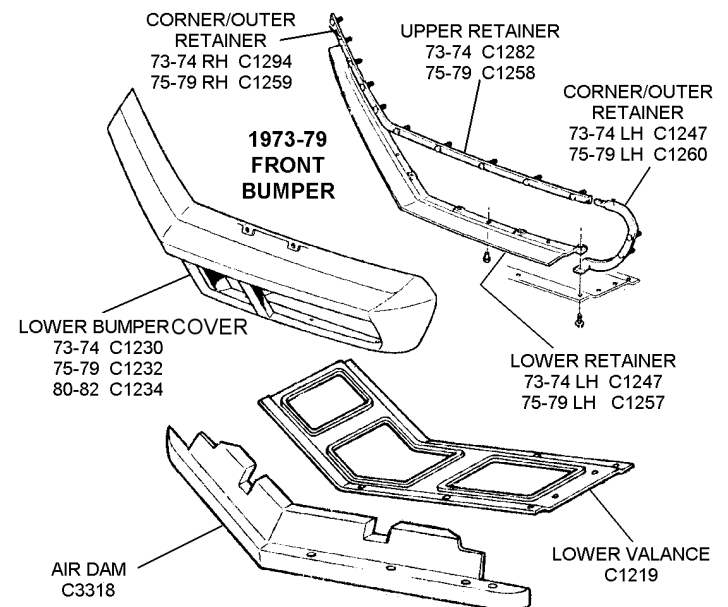


B1343	68-82	SHOE SET - parking brake, (4 pc.)	39.95
B1360	68-82	SHOE SET - parking brake, stainless steel, (4 pc.)	99.20
B1383	68-82	SPACER - pulley, parking brake cable	8.10
B1344	68-82	SPRING - front parking brake cable return	6.50
B1346	68-82	SPRING - parking brake shoe, upper, long	8.70
B1362	68-82	SPRING - parking brake shoe, lower, short	4.85
B1286	68-82	TOOL - parking brake, allows installation of shoes & rebuilding kit w/o extensive dis assembly	11.70



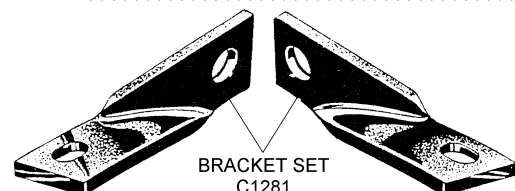
BUMPER & BUMPER MOUNTING

Front Bumper & Mounting Hardware

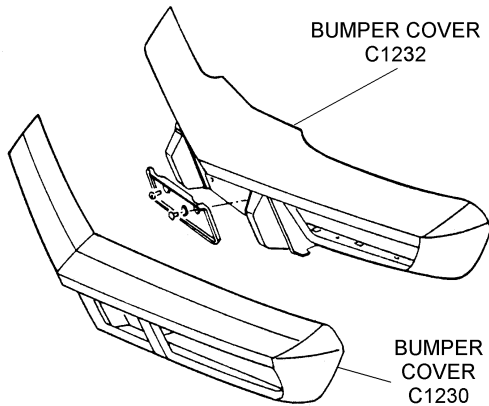


C3316	68-72	AIR DAM/SPOILER - front, stock	34.50
C3318	73-79	AIR DAM/SPOILER - front, stock	46.45
C3322	80-82	AIR DAM/SPOILER EXTENSION - front, LH, rubber	75.00
C3323	80-82	AIR DAM/SPOILER EXTENSION - front, RH, rubber	54.00
A1160	68-72	BOLT - bumper brace attaching, 'TR' HM, 7/16-14x 1 3/8", grade 2, zinc	1.75
C1206	68-72	BOLT KIT - front bumper	18.95
C1203	68-72	BOLT KIT - front bumper mount, 'A' head mark (no bracket bolts)	29.00
C1213	68-72	BOLT KIT - front cross member, 'A' HM, w/o auto or HD radiator	27.60
C1223	68-72	BOLT KIT - front cross member, 'A' head mark, w/HD & auto	31.95
C1224	68-72	BRACE - lower front guard bumperette, LH	18.45

C1225	68-72	BRACE - lower front guard bumperette, RH	16.60
C1212	68-69	BRACKET - bumper, front center, 'U' shaped, reconditioned	139.95
C8002	70-72	BRACKET - bumper, front center, 'U' shaped, reconditioned	139.95
C1271	68	BRACKET - bumper, outer front, LH	77.60
C1272	68	BRACKET - bumper, outer front, RH	77.60
C1273	69	BRACKET - bumper, outer front, LH	77.60
C1218	69	BRACKET - bumper, outer front, RH	77.60
C1220	70-72	BRACKET - bumper, outer front, LH	82.75
C1221	70-72	BRACKET - bumper, outer front, RH	82.75
C1222	70-72	BRACKET - bumper, outer extension, (2 req.) (ea)	18.00
C1270	73-74	BRACKET - bumper, outer extension, (2 req.) (ea)	18.65
C1275	73-74	BRACKET - bumper, outer front, LH	41.40
C1276	73-74	BRACKET - bumper, outer front, RH	41.40
C1277	76-79	BRACKET - bumper, outer front, LH	41.40
C1278	76-79	BRACKET - bumper, outer front, RH	41.40
C1315	75	BRACKET - bumper, outer front, LH	41.40
C1316	75	BRACKET - bumper, outer front, RH	41.40
C1279	80-82	BRACKET - bumper, outer front, (fiberglass), LH	86.90
C1280	80-82	BRACKET - bumper, outer front, (fiberglass), RH	88.90
C1226	68-72	BRACKET - front license plate	64.25
C1228	73-74	BRACKET - license bracket, front	15.55
C1200	68	BRACKET - cross member to frame extension, LH	156.90
C1299	68	BRACKET - cross member to frame extension, RH	156.90
C1216	69-72	BRACKET - cross member to frame extension, LH	156.90
C1217	69-72	BRACKET - cross member to frame extension, RH	156.90



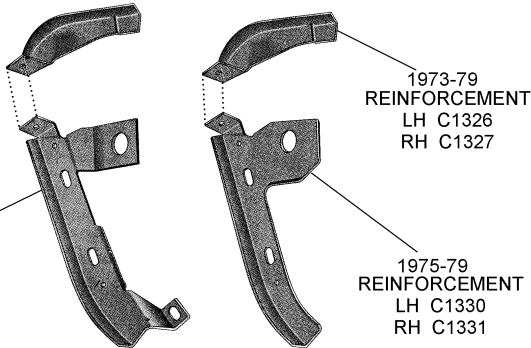
C1281	68-72	BRACKET SET - corner reinforcement, (pr)	22.95
B3303	68-79	BUMPER - front license plate, rubber	3.00
C1202	68-72	BUMPER - front, chrome	387.95



- C1230 73-74 COVER - front bumper, urethane855.00
- C1232 75-79 COVER - front bumper, urethane249.95
- C1234 80-82 COVER - front bumper, urethane512.10
- C1214 68-72 CROSSMEMBER - front, attaches LH & RH frame horns, core support & front bumperette braces together240.00
- C1318 75-79 CUSHION - front bumper, plastic336.25
- C1317 80-82 CUSHION - front bumper, plastic253.45
- C1285 80-82 EXTENSION - center, lower front bumper90.00
- C1227 73-74 FILLER STRIP - on bumper bar, under bumper cover, NOS19.95
- C1208 68-69 GUARD - front bumper, LH139.95
- C1209 68-69 GUARD - front bumper, RH139.95
- C1210 70-72 GUARD - front bumper, LH139.95
- C1211 70-72 GUARD - front bumper, RH139.95
- C1235 68-72 MOUNT KIT - front license plate3.10
- A1275 68-72 PAINT SAVER SET - bumpers, front & rear, (8 pc.)8.15
- C1219 73-79 PANEL - front lower valance, PM, black, fiberglass72.45
- C0952 68-72 REINFORCEMENT - front header surround, (metal)116.40
- C1248 73-74 REINFORCEMENT - hood surround, attaches front bumper cover to hood surround, (rivets to surround)112.50

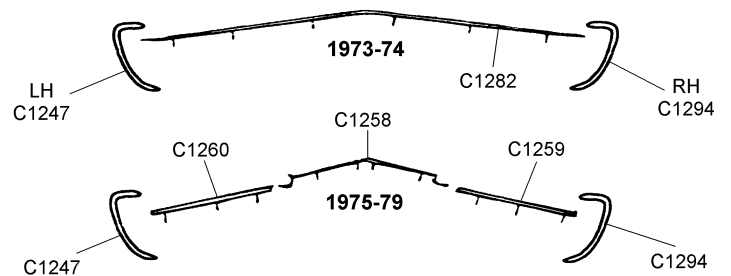


- C1250 75-82 REINFORCEMENT - hood surround, attaches front bumper cover to hood surround99.00
- C1300 73-74 REINFORCEMENT - lower front bumper fascia31.00

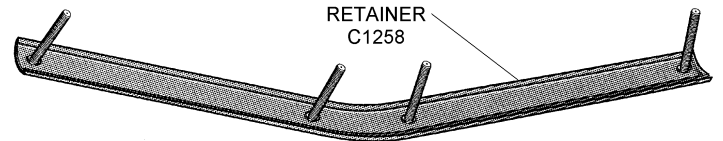


- C1328 73-74 REINFORCEMENT - bumper cover on body, LH outer19.00
- C1329 73-74 REINFORCEMENT - bumper cover on body, RH outer19.00
- C1326 73-79 REINFORCEMENT - bumper cover on body, LH upper8.75
- C1327 73-79 REINFORCEMENT - bumper cover on body, RH upper8.65
- C1330 75-79 REINFORCEMENT - bumper cover on body, LH outer19.00
- C1331 75-79 REINFORCEMENT - bumper cover on body, RH outer19.00
- C1243 68-72 REINFORCEMENT SET - outer extension to nose, front bumper cover (pr)26.70

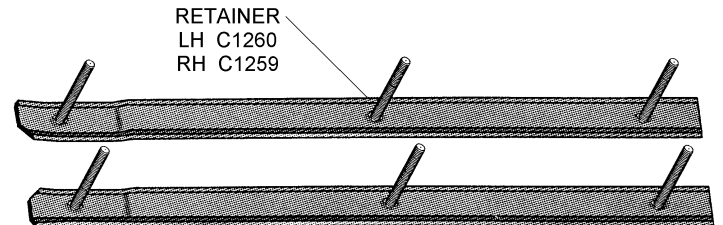
1973-79 FRONT BUMPER COVER RETAINERS



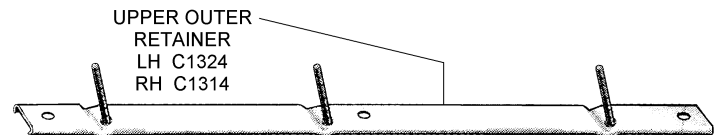
- C1247 73-79 RETAINER - front bumper cover, LH upper corner27.95
- C1294 73-79 RETAINER - front bumper cover, RH upper corner27.95
- C1282 73-74 RETAINER - front bumper cover, upper, center38.95
- C1283 73-74 RETAINER - front bumper cover, lower, center58.95
- C1257 75-79 RETAINER - front bumper cover, lower47.75



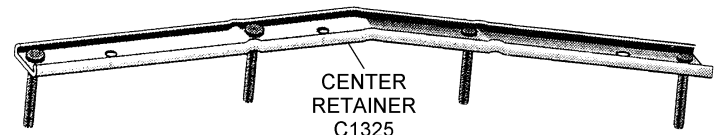
- C1258 75-79 RETAINER - front bumper cover, upper center . 17.25
- C1259 75-79 RETAINER - front bumper cover, RH upper outer17.25



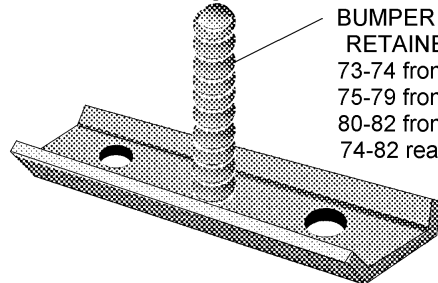
- C1260 75-79 RETAINER - front bumper cover, LH upper outer17.25



- C1314 80-82 RETAINER - front bumper cover, upper RH24.15
- C1324 80-82 RETAINER - front bumper cover, upper LH24.15



- C1325 80-82 RETAINER - front bumper cover, LH center upper24.15
- C1333 80-82 RETAINER - front bumper cover, RH outer24.15
- C1269 80-82 RETAINER - bumper cover, lower LH outer24.95
- C1268 80-82 RETAINER - bumper cover, lower RH24.95



BUMPER COVER RETAINER SET
 73-74 front C1308
 75-79 front C1309
 80-82 front C1321
 74-82 rear C1322

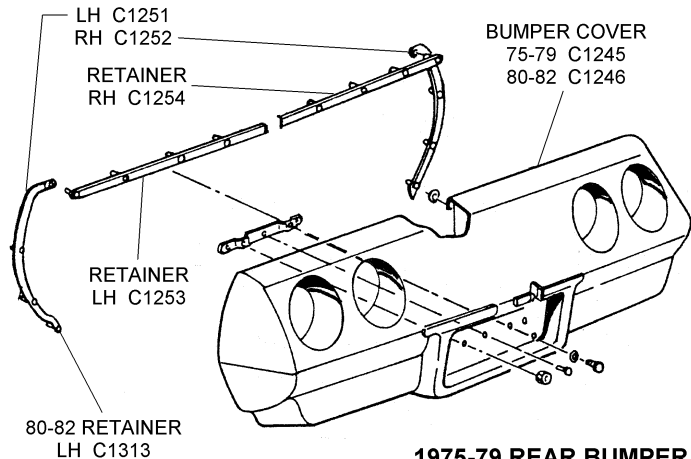
- C1308 73-74 RETAINER SET - front bumper replacement design, stainless steel (14 pc.)33.15
- C1309 75-79 RETAINER SET - front bumper replacement design, stainless steel (14 pc.)33.15
- C1321 80-82 RETAINER SET - front bumper replacement design, stainless steel (16 pc.)34.95
- C2912 68-72 SEAL KIT - front bumper brace, (pr)9.95
- C4033 73-79 SEAL KIT - front bumper brace, (pr)11.35
- C1201 68-72 SHIM - front bumper, (ea)5.45
- A2606 68-79 STAPLE/WIRE KIT - front bumper brace seals . . .4.95
- C1207 68-73 WASHER - serrated, bumper bracket to frame, (ea)3.25

Front Bumper Covers - Fiberglass / TruFlex Replacement

C3564	73-74	COVER - front bumper, stock design, fiberglass	332.50
C3611	73-74	COVER - front bumper, stock design, special 'TruFlex' composition	329.00
C3566	75-79	COVER - front bumper, stock design, fiberglass	324.15
C3613	75-79	COVER - front bumper, stock design, special 'TruFlex' composition	329.00
C3568	80-82	COVER - front bumper, stock design, fiberglass	361.25
C3615	80-82	COVER - front bumper, stock design, special 'TruFlex' composition	369.00

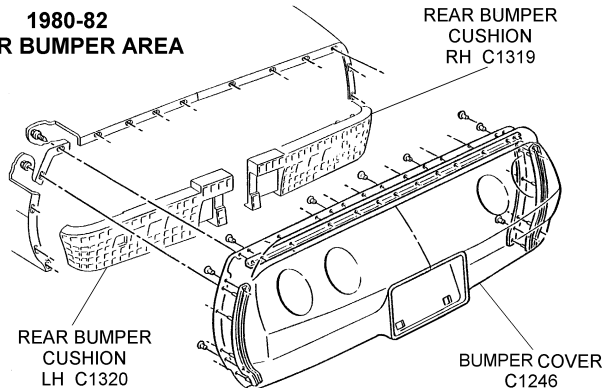
Rear Bumper & Mounting Hardware

75-79 CORNER RETAINER



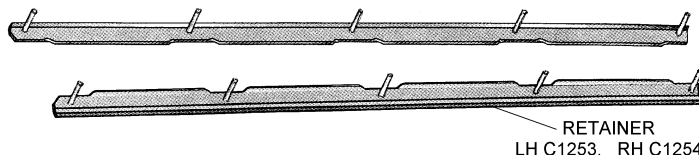
1975-79 REAR BUMPER

1980-82 REAR BUMPER AREA

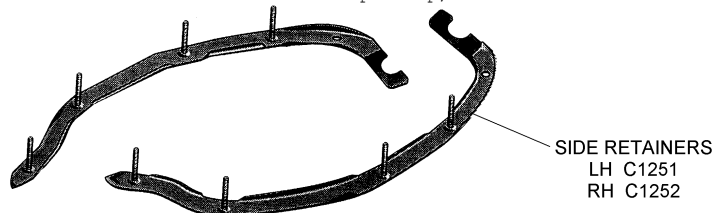


A1160	68-72	BOLT - bumper brace attaching, 'TR' HM, 7/16-14x 1 3/8", grade 2, zinc	1.75
C1292	68-73	BOLT KIT - bumper mount, w/correct 'A' head mark	26.00
C1293	68-73	BOLT KIT - bracket mount, w/correct 'A' head mark	23.90
C1244	68-73	BOLT KIT - rear bumper, (repl)	18.75
C1295	68-73	BRACKET - rear frame to license plate bracket, (2 req.) (ea)	14.30
C1296	68-73	BRACKET - rear frame to license plate mount, (2 req.) (ea)	29.25
C1238	68-73	BRACE - rear center, brace to frame, LH	30.20
C1239	68-73	BRACE - rear center, brace to frame, RH	32.00
C1231	68-69	BRACKET - cross member to front bumper outer extension, LH	31.95
C1233	68-69	BRACKET - cross member to front bumper outer extension, RH	31.95
C1240	68-73	BRACKET - rear outer bumper, LH	35.05
C1241	68-73	BRACKET - rear outer bumper, RH	33.35
C1286	68-73	BRACKET - rear center, brace to bumper, LH	36.25
C1287	68-73	BRACKET - rear center, brace to bumper, RH	36.25
C1236	68-73	BUMPER - rear, LH	476.30
C1237	68-73	BUMPER - rear, RH	476.30
C1245	75-79	COVER - rear bumper, urethane, (w/o 1975-76E letter indents)	641.40
C1246	80-82	COVER - rear bumper, urethane	512.10
C1320	80-82	CUSHION - rear bumper, LH	80.60

C1319	80-82	CUSHION - rear bumper, RH	80.60
-------	-------	---------------------------------	-------

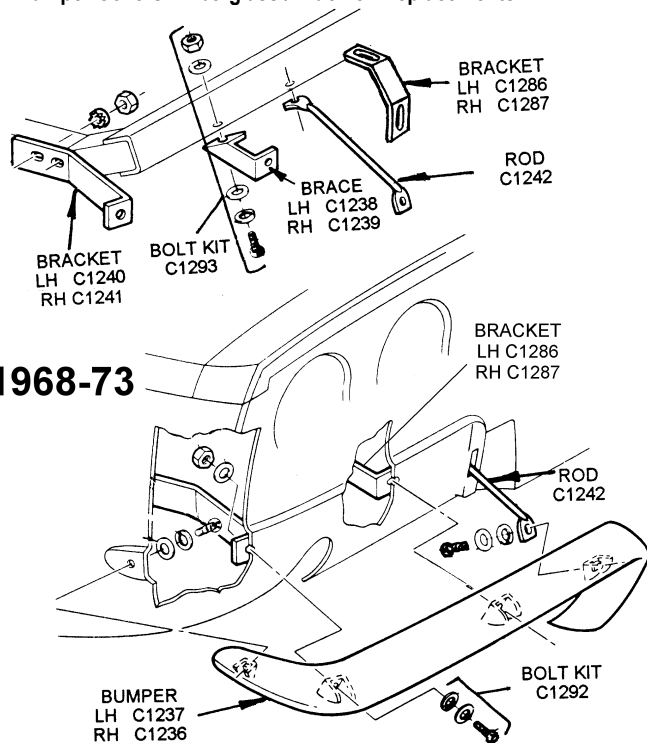


C1253	74-79	RETAINER - rear bumper top, LH	25.00
C1254	74-79	RETAINER - rear bumper top, RH	25.00



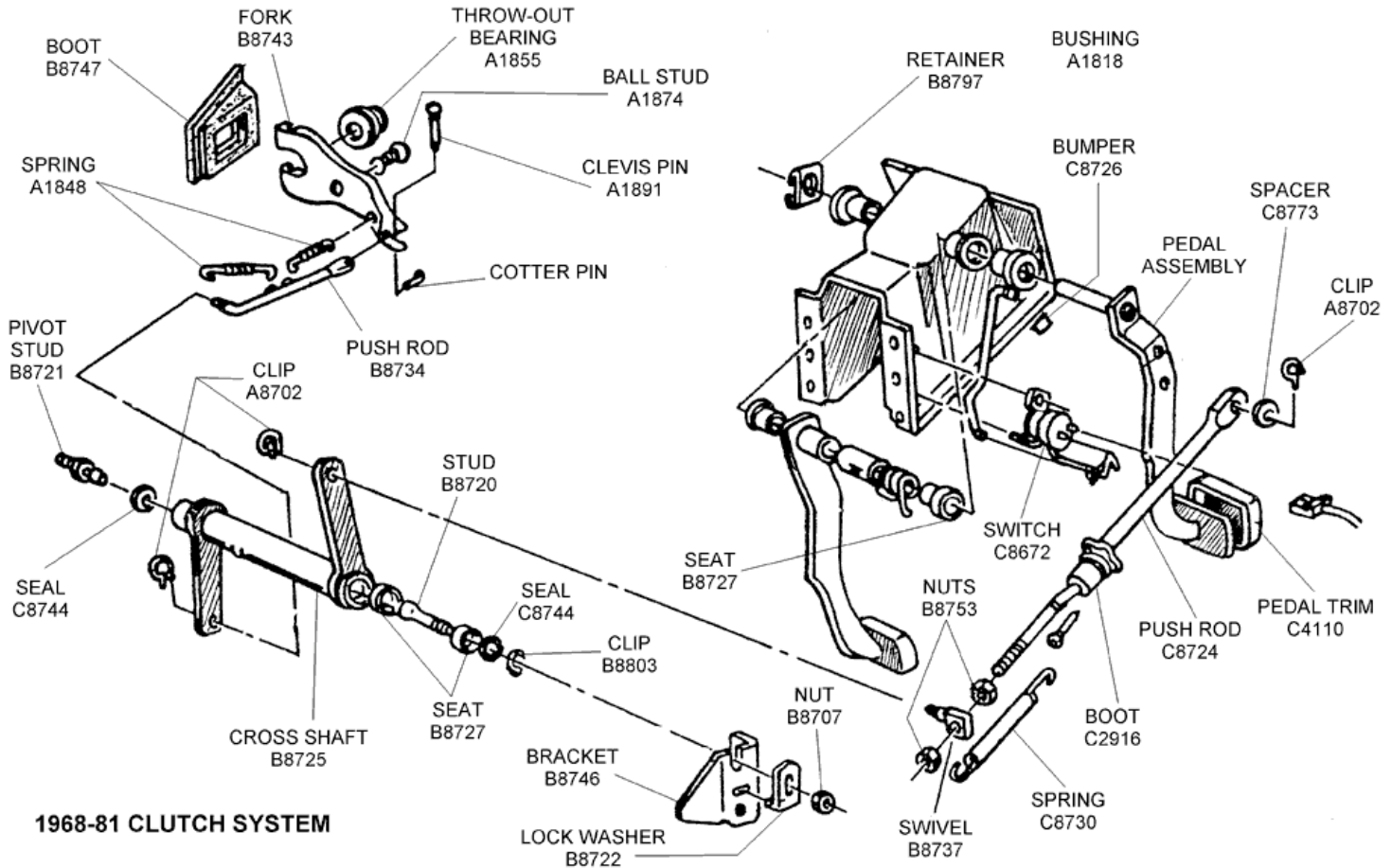
C1251	74-79	RETAINER - rear corner bumper, LH	25.50
C1252	74-79	RETAINER - rear corner bumper, RH	25.50
C1313	80-82	RETAINER - rear bumper, outer LH	18.65
C1322	74-82	RETAINER SET - rear bumper replacement design, stainless steel (18 pc.)	33.15
C1242	68-73	ROD - rear bumper brace	14.95
C1297	72-73	ROD - rear outer bumper brace, LH	31.95
C1298	72-73	ROD - rear outer bumper brace, RH	31.95
C1284	74	SUPPORT/STRAP - rear bumper, center, (2 req.) (ea)	25.90
C1207	68-73	WASHER - serrated, bumper bracket to frame, (ea)	3.25

Rear Bumper Covers - Fiberglass / TrueFlex Replacements



1968-73

C3571	74	COVER - rear bumper, stock design, fiberglass, (2 section design)	364.75
C3565	74	COVER - rear bumper, stock design, special 'TruFlex' composition, (2 section design)	379.95
C3573	75	COVER - rear bumper, stock design, fiberglass	335.95
C3489	75	COVER - rear bumper, stock design, genuine 'TruFlex' special flexible glass composition	349.00
C3627	76E	COVER - rear bumper, stock design w/indent for Corvette name plate, fiberglass	344.50
C3628	76E	COVER - rear bumper, stock design w/indent for Corvette name plate, 'TruFlex' composition	359.00
C3572	76L-79	COVER - rear bumper, stock design, fiberglass	356.05
C3567	76L-79	COVER - rear bumper, stock design, special 'TruFlex' composition	349.00
C3574	80-82	COVER - rear bumper, stock design, fiberglass, also fits 74-79	375.00
C3609	80-82	COVER - rear bumper, stock design, special 'TruFlex' composition	379.95



1968-81 CLUTCH SYSTEM

CABLES WITH HOUSINGS & RELATED

A2474	62	ADAPTER - distributor for tachometer cable, eliminates kinks in cable	69.95
NOTE: Adapter A2474 is a 90 degree adapter filled with a grease fitting to lubricate both the adapter and the tachometer drive gear.			
B1410	68	CABLE - speedo, 4 speed, w/housing	27.60
C1408	69-77	CABLE - speedo, 4 speed, 70', (1 piece)	37.75
C1410	69-77	CABLE - speedo, auto, upper	28.90
C1412	69-77	CABLE - speedo, auto, lower	33.30
C1418	77-82	CABLE - speedo, lower cable w/cruise control	29.35
C1426	78-82	CABLE - speedo, w/o cruise, 4 speed	28.55
C1428	78-82	CABLE - speedo, w/o cruise, auto	29.95
C1405	68	CABLE - tachometer, 19.5' w/black jacket & instructions (as original)	28.10
C1404	69-74	CABLE - tachometer, 23'	20.70
C4238	68-77	CABLE - trip odometer reset, (w/knob)	62.95
C4700	68-74	GROMMET - firewall, 4 hole, 1" OD	7.20
B1411	68-82	GROMMET - speedo cable, 1 hole	8.95
A1401	68-82	LUBRICANT - speedo or tach cable	3.75
A1409	68-82	LUBRICATOR ADAPTER - for injecting grease into speedo/tach cables	23.30
B1414	68-77	REPAIR KIT - speedo or tach cable	9.95

CLOCKS

C1702	68-71	CLOCK - quartz / green letters	189.95
C1704	72-74	CLOCK - quartz	189.95
C1706	75-76	CLOCK - quartz	189.95
C1710	77	CLOCK - quartz	189.95
C1712	78-79	CLOCK - quartz	199.95
C1714	80-81	CLOCK - quartz	189.95
C1721	82	CLOCK - quartz	189.95
C1708	68-82	KNOB - clock set, w/screw	10.65
B1700	68-82	REPAIR KIT - clock, quartz movement, w/instructions	89.95

CLUTCH & BELL HOUSING

Bell Housing			
A1874	68-81	BALL STUD - clutch fork pivot, on bell housing	15.85

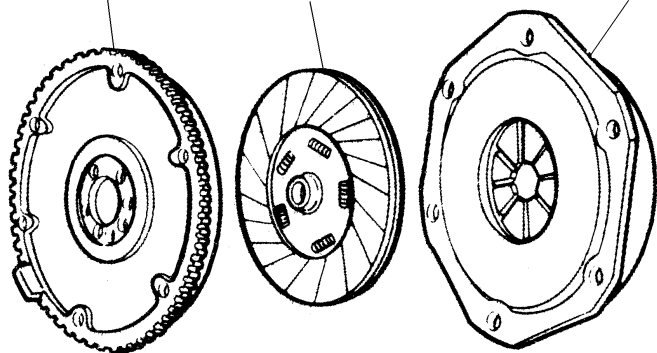
B8764	68	BELL HOUSING - 327, GM #3858403, (recond./original)	135.00
C8797	68-81	BELL HOUSING - GM #3899621, w/GM logo 1969-81 350, 1968/74 427/454, original, restored	299.95
B8712	68-81	BELL HOUSING - GM #3899621, w/GM logo 1969-81 350, 1968/74 427/454	228.95
B8700	68	BOLT SET - bell housing to engine, 'M' head mark, (6 pc.)	8.75
C3001	69-81	BOLT SET - bell housing to engine, 'A' head mark, (6 pc.)	9.00
B8787	68-81	BOLT SET - clutch inspection cover, hex type, (4 pc.)	4.50
A8731	68-81	BOLT SET - transmission to bell housing, 'TR' head mark, (4 pc.)	8.00
B8747	68-81	BOOT/SEAL - clutch fork on bell housing	8.95
B8714	68-69	COVER - clutch access, 68 327, 68-69 L88	29.85
B8713	69-74	COVER - clutch access, 69-74 350, 68-74 427/454	26.15
C8772	75-81	COVER - clutch access	19.00

Clutch

A1855	68-81	BEARING - clutch throw out	24.00
A1839	68-81	BEARING - clutch throw out, NOS, GM #90758	29.95
A1827	68-81	BEARING - flywheel pilot type, inserts in crankshaft, (bronze)	3.95
A8751	68-81	BEARING - flywheel, pilot roller bearing type	16.90
B8787	68-74	BOLT SET - clutch access/inspection cover, hex, (4 pc.)	4.50
C8785	75-81	BOLT SET - clutch access/inspection cover, 350 4 speed	10.85
A8703	68-81	BOLT SET - pressure plate to flywheel, 6 pc.	9.95
A8707	68-81	BOLT SET - flywheel to crankshaft, 6 pc.	8.75
A1835	68-81	CLIP - clutch fork repair, spring type	7.95
B1800	68-71	CLUTCH KIT - 68 327, 69-71 350, & 68-69 427, 10 1/2' clutch disc w/10 splines	174.95
B1802	68-70	CLUTCH KIT - 68-69 427, 69-70 350, 11' clutch disc w/10 splines	199.95
B1816	72	CLUTCH KIT - all 350, 10 1/2' clutch disc w/26 splines	160.30
B1817	73-81	CLUTCH KIT - all except 78 w/o special hi-perf.	190.65

NOTE: All Clutch Kits include new pressure plate, clutch disc, throw-out & pilot bearings.

FLYWHEEL CLUTCH DISK PRESSURE PLATE



B8738	68-81	FLYWHEEL - 68-69 427, 69-81 350, w/manual trans., original resurfaced, w/o exchange	28.05
B8780	68	FLYWHEEL - 327, original, resurfaced, w/o exchange	199.95
C1814	70-74	FLYWHEEL - 454, special hi-perf., w/manual trans, original, resurfaced, w/o exchange	149.95
B8752	68-81	FLYWHEEL - 68-69 427, 69-81 350 w/manual trans	293.25
C8756	70-74	FLYWHEEL - 454, sp. hi-perf., w/manual trans.	246.00
B8743	68-81	FORK - clutch	98.75
B8788	68	RING GEAR - all 327 w/10 1/2' flywheel	31.25
A1800	68-81	RING GEAR - 68-69 w/427 exc. HD, 69-81 all 350/427/454 w/11' flywheel	22.45

Clutch Linkage - Engine Compartment

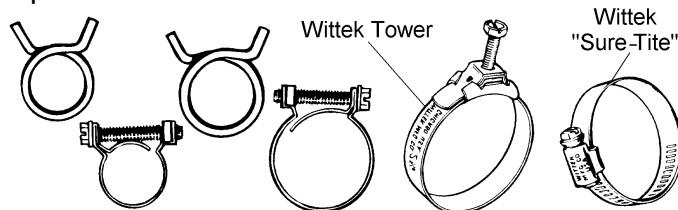
A1874	68-81	BALL STUD - clutch fork pivot, on bell housing	15.85
B8746	68-79	BRACKET - clutch pivot frame, (welds to frame)	16.95
C8778	80-81	BRACKET - clutch pivot frame, bolts to frame	15.95
B8803	68-81	CLIP - clutch bell crank ball stud retainer, 'C' type	2.95
A1835	68-81	CLIP - clutch fork repair, spring type, rivets to fork / included on new forks	7.95
A8702	68-81	CLIP - retainer, shifter rod, 'G' type	1.00
B8725	68-81	CROSS SHAFT - clutch	85.00
B8707	68-81	NUT - clutch pivot to frame	1.00
B8753	68-81	NUT SET - clutch pedal push rod swivel, (2 pc.)	1.50
A1891	68-81	PIN - clutch fork pivot	1.25
B8777	68-81	PLUG - clutch cross shaft grease fitting hole, red	3.75
B8734	68-81	PUSH ROD - clutch pedal fork	22.85
C8744	68-81	SEAL - clutch cross shaft, felt	4.55
B8727	68-81	SEAT - clutch cross shaft, nylon, (ea)	3.95
C8730	68-81	SPRING - clutch return	7.00
A1848	68-81	SPRING - clutch rod anti rattle	3.80
B8721	68-72	STUD - clutch pivot to engine	16.45
C8748	73-81	STUD - clutch pivot to engine	13.45
B8720	68-71	STUD - clutch pivot to frame	7.95
C8740	72-81	STUD - clutch pivot to frame	13.50
B8737	68-81	SWIVEL - clutch pedal push rod	6.25
B8722	68-81	WASHER - clutch pivot stud lock	3.25

Clutch Related - Pedal to Firewall

C2916	68-81	BOOT/SEAL - clutch rod, on firewall	13.95
C8726	68-81	BUMPER - clutch pedal	2.50
A1818	68-82	BUSHING - clutch & brake pedal pivot	3.65
A8702	68-81	CLIP - retainer, shifter rod, 'G' type	1.00
C4108	68-82	PAD - brake & clutch pedal	6.90
C8710	68-79	PEDAL ASSEMBLY - clutch	74.00
C3002	80-81	PEDAL ASSEMBLY - clutch, w/pad & bushing	89.70
C8724	68-81	PUSH ROD - clutch pedal	24.20
B8797	68-81	RETAINER - brake/clutch pedal shaft, (ea)	4.00
B8769	68-81	SCREW SET - clutch rod boot to firewall, (3 pc.)	1.50
C8773	68-71	SPACER - clutch pedal push rod	3.05
C8672	69-81	SWITCH - neutral safety, w/4 speed, mounts on clutch pedal	77.60
C4110	68-82	TRIM - clutch & brake pedal pad, stainless steel	8.20

COOLING SYSTEM & COOLING RELATED

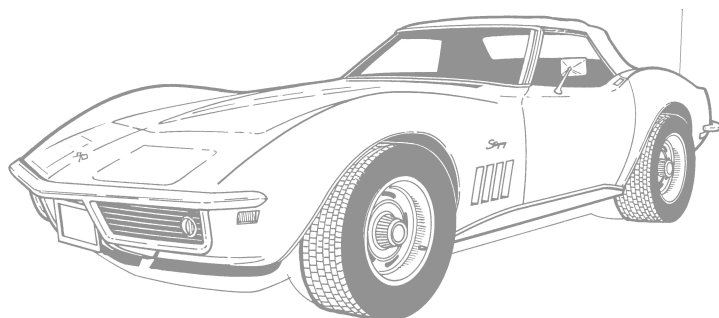
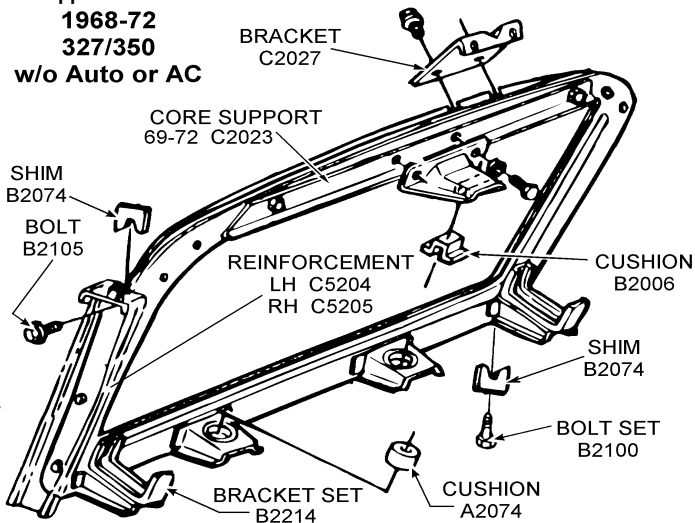
Clamp Sets - Radiator & Hoses

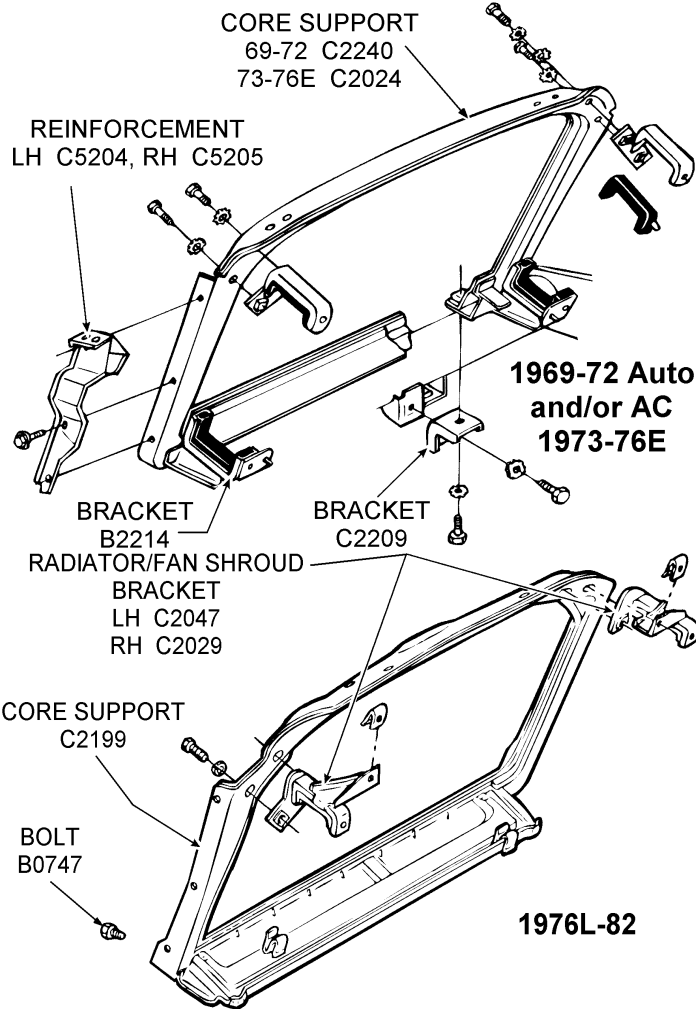


Tower clamps are genuine Wittek Tower Clamps. Clamps were manufactured by Wittek from the original tooling and are correct galvanized material. Clamps are non-dated, but can be dated upon request at an additional cost. GM changed from Tower type radiator hose clamps to worm drive "Sure-Tite" radiator clamps in approx. 9/69.

B2204	68-69	BOLT SET - thermostat housing all w/L88, 'CP' head mark	6.75
A2039	68-73	BOLT SET - thermostat housing, except L88	6.70
C2221	70-74	CLAMP - radiator hose, 'Suretite' 28H	8.00
C2220	73-78	CLAMP - radiator hose, 'Suretite' 32H	8.00
C2133	68-82	CLAMP - heater hose, worm gear type	1.00
A2057	68-69	CLAMP SET - upper & lower radiator hoses, dated 1Q or 4Q by year, specify	55.55
C2064	68	CLAMP SET - w/AC, (13 pc.)	28.05
C2065	68	CLAMP SET - w/o AC, (14 pc.)	30.45
C2066	69	CLAMP SET - 350hp w/o AC, (11 pc.)	26.90
C2067	69	CLAMP SET - 350hp w/AC & all 427, (14 pc.)	32.60
C2068	70	CLAMP SET - 350 except LT1, (10 pc.)	28.05
C2069	70	CLAMP SET - 454, w/o AC, (16 pc.)	30.05
C2250	70-71	CLAMP SET - 454, w/AC	29.15
C22070	70-72	CLAMP SET - LT-1, (12 pc.)	31.40
C2238	71-72	CLAMP SET - 350, w/o AC, (12 pc.)	31.45
C2239	71-72	CLAMP SET - 350, w/ AC, (11 pc.)	21.30
C2228	71-73	CLAMP SET - 454, w/o AC	25.90
C2251	72-73	CLAMP SET - 454, w/AC	35.90
C2230	73-74	CLAMP SET - 350, w/o AC, (19 pc.)	22.45
C2231	73-74	CLAMP SET - 350, w/ AC, (11 pc.)	29.00
C2233	74	CLAMP SET - 454, w/o AC, (13 pc.)	28.25
C2234	74	CLAMP SET - 454, w/ AC, (17 pc.)	31.40
C2235	75-79	CLAMP SET - 350, w/o AC, (12 pc.)	23.25
C2236	75-82	CLAMP SET - 350, w/ AC, (12 pc.)	19.05

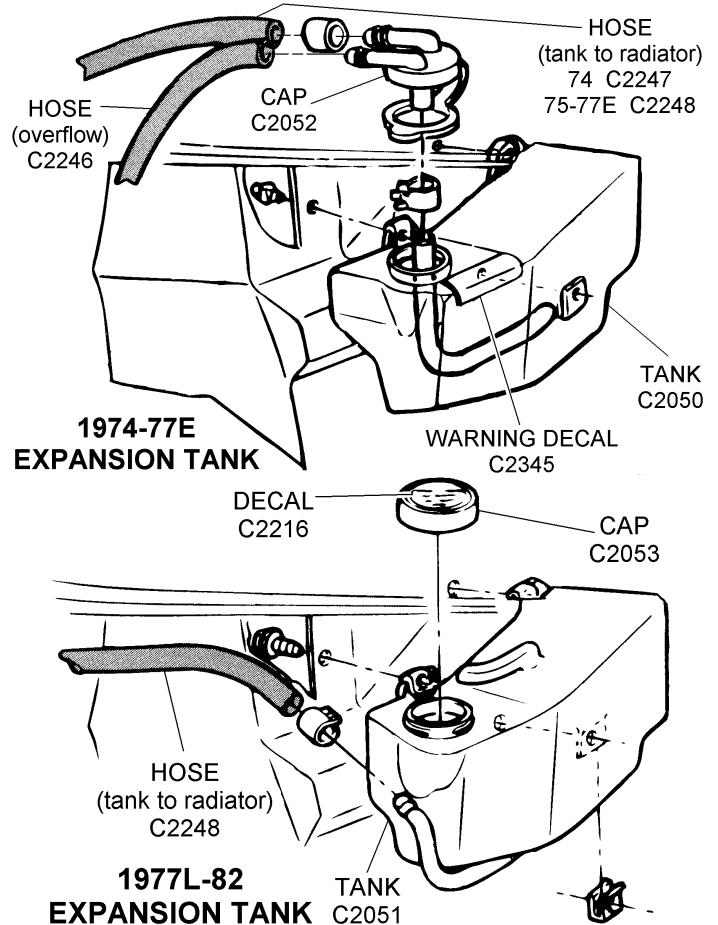
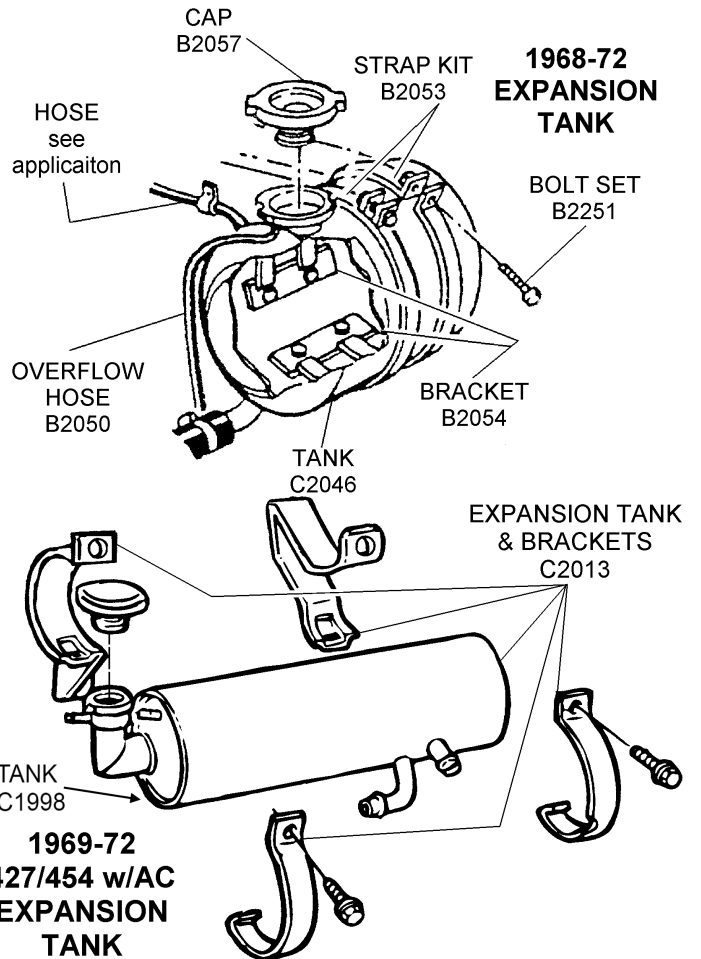
Core Support & Fan Shrouds



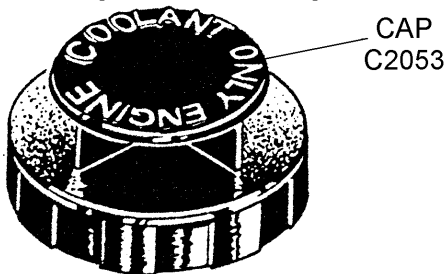


B2100	68-82	BOLT & LOCK WASHER SET - core support to frame, lower	4.95
B0747	68-82	BOLT SET - radiator core support, (6 pc.)	6.80
B2105	68-82	BOLT SET - radiator core support, (6 pc.)	5.25
B2214	68-76	BRACKET - welds to lower core support, 'U' type	7.85
C2023	69-72	CORE SUPPORT - aluminum radiator, 327/350 manual trans.	319.00
C2240	69-72	CORE SUPPORT - 26" copper radiator, 350 w/AT or AC	319.00
C2218	69-72	CORE SUPPORT - 27" copper radiator, 427/454	319.00
C2024	73-76E	CORE SUPPORT - radiator	319.00
C2199	76L-81	CORE SUPPORT - radiator	319.00
C2059	81-82	MOTOR - fan cooling	68.75
C5204	68-82	REINFORCEMENT - hood hinge/radiator support reinforcement, LH	72.45
C5205	68-82	REINFORCEMENT - hood hinge/radiator support reinforcement, RH	72.45
C2261	79-80	SENSOR - radiator cooling, on engine	30.60
C2262	81-82	SENSOR - radiator cooling, on engine	31.90
C2278	68	SHROUD - fan (metal), 327, 4 speed w/o AC or hi-perf., used	295.00
C2279	69-72	SHROUD - fan (metal), 350, 4 speed w/o AC or hi-perf., used	175.00
C2018	68-69	SHROUD - fan, 427, requires B2044 extension	362.10
C2019	68-72	SHROUD - fan, '68 327/350hp, '69 350/350hp, '70-72 350 4 speed, (plastic)	189.00
C2021	69-72	SHROUD - fan, 427/454 AC or hi-perf, plastic	289.95
C2022	73-75	SHROUD - fan, (plastic)	413.80
C2031	76E	SHROUD - fan, w/o angular mounting tabs	500.90
C2035	76L-82	SHROUD - fan, 76L-82 L48, 76L-78 L82, w/angular mounting tabs	224.95
C2257	79-80	SWITCH - temperature, engine cooling fan	15.25
C2258	81-82	SWITCH - temperature, engine cooling fan	22.15
C2205	68-76	WASHER - upper fan shroud bracket to support, 10 tooth, (3 req.) (ea)	3.40
C2211	68-76	WASHER SET - upper fan shroud bracket to support, (3 pc.)	3.35

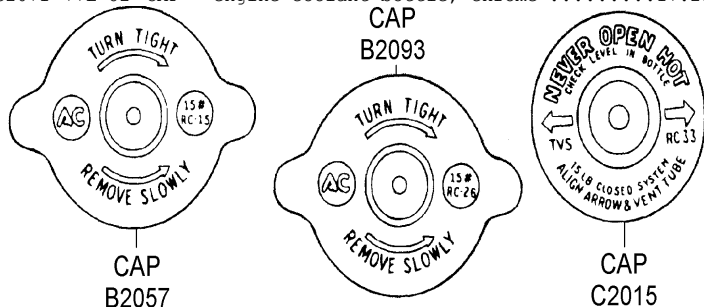
Expansion / Coolant Recovery Tank & Related



B2251 68-72	BOLT SET - expansion tank straps, 'EL' head mark, (pr)	6.65
B2276 68-72	BOLT SET - expansion tank straps, replacement, (pr)	1.75
B2054 68-72	BRACKET - expansion tank to inner fender	12.40
B2093 68-72	CAP - expansion tank radiator cap RC26, all w/aluminum radiator	47.50
C2052 73-77E	CAP - expansion tank (73 repl.)	15.20

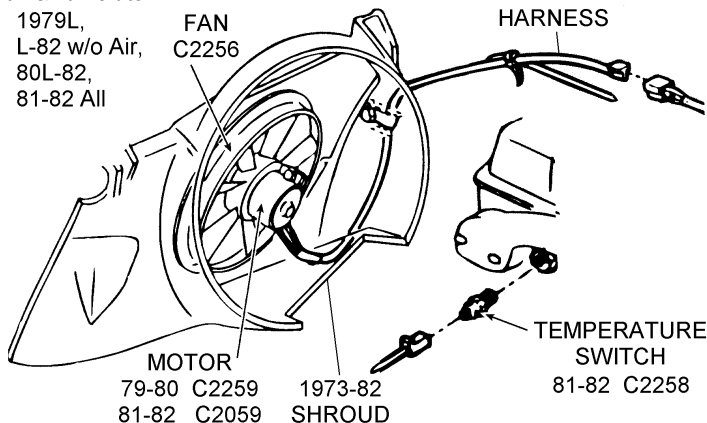


C2053 77L-82	CAP - expansion tank, replacement	7.25
C2071 77L-82	CAP - engine coolant bottle, chrome	17.25



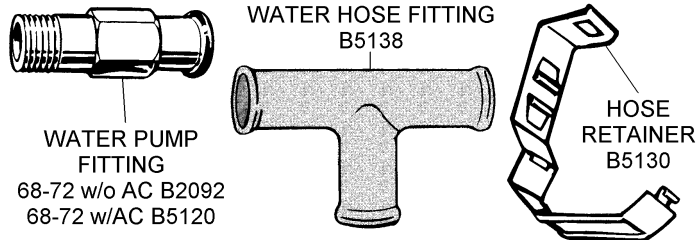
B2057 68-72	CAP - expansion tank RC15, all w/brass radiator (correct)	46.56
C2014 68-72	CAP - radiator (repl.)	49.95
C2017 73	CAP - coolant recovery tank, used, original	27.95
C2015 73-82	CAP - radiator (AC repl.)	7.15
C2215 77L-82	CAP & DECAL - engine coolant bottle	9.00
B2250 68-72	CLAMP SET - hose, expansion tank to radiator, (pr)	12.45
C9664 72-82	EXTENSION - expansion/reservoir tank	12.95
B5138 68-71	FITTING - 'T', heater hose	11.95
B2050 68-72	HOSE - expansion tank overflow, ribbed, 36'	6.50
B2051 68-72	HOSE - expansion tank to radiator, (repl.)	7.50
B2091 68-72	HOSE - expansion tank to radiator w/blue GM logo	14.50
C2246 73-82	HOSE - overflow coolant recovery tank, w/correct logo	9.75
C2247 74	HOSE - overflow coolant recovery tank to radiator, w/correct logo	14.50
C2248 75-82	HOSE - overflow coolant recovery tank to radiator, w/correct logo	11.50
A2027 68-82	REPAIR KIT - expansion tank tube, (3 pc.)	20.20
B1933 68-72	RIVET SET - expansion tank bracket to inner fender, (4 pc.)	1.30
B2053 68-72	STRAP SET - expansion tank, w/bolts, (pr)	16.85
C2046 68-72	TANK - expansion, all w/327/350, except 70-72 LT1 & 68-69 427's	139.95
C2048 68-72	TANK - expansion, #301630, all w/327/350 except 70-72 LT1 & 68-69 427's, correctly dated, (specify date, 1-2 weeks delivery)	169.00
C1998 69-72	TANK - expansion, brass, all w/427/454 & AC	249.95
C2013 69-72	TANK - expansion / original, brass w/brackets, all w/427/454 & AC	CALL
C2049 73	TANK - expansion, GM #334762, used, original	CALL
C2051 77L-82	TANK - expansion	20.85

Fan & Fan Clutch



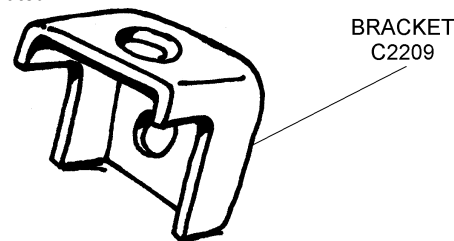
A2059 68-70	BOLT SET - fan clutch to water pump, 'Delta' head mark, (4 pc.)	8.25
A2062 68-70	CLUTCH - fan, thermal (GM)	134.00
A2096 68-75	CLUTCH - fan, 327/350 non-thermal	39.95
A2097 68-75	CLUTCH - fan, 327/350 thermal	48.95
C2222 71-79	CLUTCH - fan, large hub (GM)	176.60
C2265 75-82	CLUTCH - fan	59.95
C2063 68-70	FAN BLADE - all except 3x2	395.00
B2068 68-69	FAN BLADE - 427 w/o AC, 5 blade, 17 1/2'	196.10
C2226 71-74	FAN BLADE - 350 w/AC 7 blade original PN #3991427	299.95
C2072 74-76	FAN BLADE - 74-75 w/AC, 76 Hi-Perf. w/AC	115.00
C2254 76-82	FAN BLADE - 76-77 w/AC, 77-81 w/AC or HD, 80 w/o sp. hi-perf. 81-82 w/HDC	115.00
C2255 79-82	FAN BLADE - 79-80 w/sp. hi-perf., 81-82 w/o HDC	115.00
A2001 68-70	NUT & WASHER KIT - fan to clutch	1.85
C2299 69-81	STUD KIT - fan clutch, to water pump, w/nylon locking feature, (4 pc.)	10.10

Heater Hose & Fittings



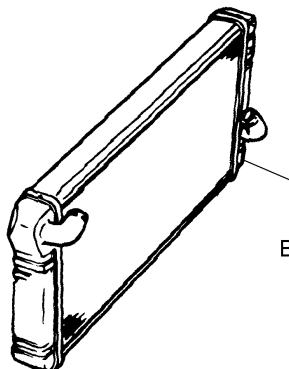
B1949 68-74	CLAMP SET - water pump bypass hose, 427/454, (pr)	8.80
B5138 68-71	FITTING - 'T', heater hose	11.95
A5156 68-80	FITTING - heater hose on intake manifold, 1/2' NPT	10.50
B5120 68-82	FITTING - heater hose, 68-72 w/AC, 73-82 all, correct	14.70
B2092 68-72	FITTING - water pump, for heater hose, w/o AC, replacement	13.25
B2095 68-74	HOSE - bypass, intake to water pump 427/454	7.95
B2033 68	HOSE - bypass, intake to water pump, w/427 & A.I.R. #3882829	22.45
C5150 68-82	HOSE - heater, 3/4" w/90 degree molded end on all AC cars	32.50
C5151 68-82	HOSE - heater, 5/8" w/90 degree molded end on all AC cars	28.05
B2063 68-79	HOSE KIT - heater, w/GM logo, white & red logos, 68-69 all, 70-79 w/o AC	48.75
B2062 68-69	PIPE - water pump & intake man. bypass pipe, 396/427 except A.I.R.	6.75

Radiator & Related



C2209 73-79	BRACKET - lower support, core support to frame, (ea)	15.20
C2008 69-76	BRACKET - outer upper radiator support, 26", or 27" radiator, LH, 'U' shape	20.00
C2010 69-76	BRACKET - outer upper radiator support, 26" radiator, RH, 'U' shape	20.00
C2260 69-76	BRACKET - outer upper radiator support 27" radiator, RH 'U' shape	20.00
B2008 68	BRACKET - upper radiator support, 427 LH	17.95
B2040 68	BRACKET - upper radiator support, 427 RH	17.95
C2054 69-76	BRACKET SET - upper radiator support, 26", 'U' shape, (pr)	29.15
C2055 69-72	BRACKET SET - upper radiator support, 27", 'U' shape, (pr)	41.40
C2014 68-72	CAP - w/copper radiator, AC RC15, (AC repl.)	49.95
B2057 68-72	CAP - w/copper radiator, RC15, (correct)	46.56
A2058 68-72	CAP - radiator (aluminum), 15lb., (repl.)	14.15
C2015 73-82	CAP - radiator (AC repl.)	7.15
A2074 68-72	CUSHION - radiator lower, (round)	2.50
C2217 76-82	CUSHION - radiator, lower	9.75
C2214 76-82	CUSHION - radiator, upper	6.95
B2006 68-72	CUSHION - radiator upper (square) 327/350	5.00
B2009 68-76	CUSHION - upper & lower radiator mount, 5 3/8" long, (ea)	4.10

A2026	68-72	DRAIN COCK - aluminum radiator, (correct) . . .	17.95
A2069	68-82	DRAIN COCK - all w/copper radiator	12.00
B5035	68-82	PAINT - radiator, black, improves cooling efficiency	14.65
B2003	68	RADIATOR - 427 w/4 speed or AC except L88 / 350 w/AT, brass	412.80
B2056	68	RADIATOR - 427 w/4 speed transmission, aluminum replacement	12.00
B1964	68	RADIATOR - all w/automatic trans, w/ or w/o AC, 1968 327 w/automatic trans, brass	667.40
B0043	68-69	RADIATOR - L88 aluminum reproduction identical to original, specify date required 899.95	
B2046	68-72	RADIATOR - L88/ZR1 brass	789.70
B0883	68-72	RADIATOR - 327 aluminum, manual trans., non-AC, repl	681.05
B2215	68-72	RADIATOR - 1968 327, 1969 350 w/manual transmission & w/o ac, exact reproduction, dated, aluminum	879.00
C2136	69-72	RADIATOR - 350 w/AT, 26', replacement, aluminum	853.45
B2257	68-72	RADIATOR - aluminum, replacement, w/4 speed, 26', brass	775.80



BRASS RADIATOR (typical)
B2001 69-72 350 with auto or AC
C2004 69-72 427/454
C2005 73-76 BRASS
C2091 80-82 BRASS

B2001	68-72	RADIATOR - 68 327, 69-72 350 w/manual trans w/o ac, brass	425.00
C2083	69-72	RADIATOR - 427/454 Harrison, brass	467.10
C2003	69-72	RADIATOR - 350, HD/LT1, 26' wide or w/auto trans, brass	451.45
C2004	69-72	RADIATOR - 427/454, brass	444.45
C2147	69-72	RADIATOR - 427/454, replacement, aluminum	539.00
C2001	69-72	RADIATOR - 427/454 w/automatic trans. & AC, heavy duty, brass	403.75
C2135	73-76E	RADIATOR - w/4 speed, replacement, aluminum	539.00
C2139	73-76E	RADIATOR - w/AT, replacement, aluminum	679.00
C2005	73-76E	RADIATOR - w/4 speed, brass	469.00
C1997	73-76E	RADIATOR - w/automatic transmission, 27.5' wide, brass	359.00
C2091	76L-82	RADIATOR - 76-79 L48 w/auto or manual trans, 1980/82 all, 2' thick-3 row, brass	267.90
C2006	76L-79	RADIATOR - L-48, standard, brass	254.35
C2002	76L-79	RADIATOR - L-82, hi-performance w/automatic trans., brass	379.00
C2007	76L-79	RADIATOR - L-82, hi-performance w/manual trans., brass	465.00
C2141	76L-82	RADIATOR - 4 speed, replacement, aluminum	539.00
C2143	76L-82	RADIATOR - w/AT, replacement, aluminum	539.00

Radiator Hoses & Related 327/350 With GM Logo & Part Number

C2221	70-82	CLAMP - radiator hose, 'Suretite' 28H	8.00
C2220	70-82	CLAMP - radiator hose, 'Suretite' 32H	8.00
C2080	68-72	HOSE - lower radiator w/o AC & turbo, #3917669	30.25
C2264	68	HOSE - lower radiator, w/AC or auto trans #3917671	33.65
C2242	69-72	HOSE - lower radiator, auto trans, #3946854	35.20
C2079	70-71	HOSE - lower radiator 69 L88 70-71 w/HD radiator #3946012	35.90
C2020	73-76E	HOSE - lower radiator, #355347	38.80
C2090	76L-82	HOSE - lower radiator, #379933	53.25
C2073	68	HOSE - upper radiator, w/AC or auto transmission, #3917670	33.65
C2241	68-72	HOSE - upper radiator, all w/aluminum, #3935466	26.90
C2077	70-71	HOSE - upper radiator, 70 LT1 & M22, 1970-71 w/HD aluminum radiator #3946011	33.65
C2074	69-76E	HOSE - upper, radiator, all w/copper radiator #3946852	35.90
C2085	76E	HOSE - upper radiator (outlet to right) #368685	23.40
C2087	76L-79E	HOSE - upper radiator #371443, 1 1/2' inlet	40.35
C2089	79L-82	HOSE - upper radiator (1 1/4 ' ID) #1406075	48.35

Radiator Hoses - Replacement

B2095	68-74	HOSE - bypass, intake to water pump 427/454	7.95
C2039	68	HOSE - lower radiator, 327 w/AC	24.25
C2042	69-74	HOSE - lower radiator, 427/454 w/o HD radiator	24.25
C2038	68-72	HOSE - lower radiator, 327/350 w/o AC or auto	22.15
C2040	69-72	HOSE - lower radiator, 350 w/auto	38.05
C2041	70-71	HOSE - lower radiator, w/HD radiator	21.50
C2043	73-76	HOSE - lower radiator	26.05
C2044	77-82	HOSE - lower radiator	18.65
C2030	68	HOSE - upper radiator, 327	14.20
C2037	80-82	HOSE - upper radiator	13.60
C2033	69-71	HOSE - upper radiator, 350/427 w/heavy duty radiator	17.65
C2032	69-76	HOSE - upper radiator, 350 w/o HD radiator	21.15
C2036	77-79	HOSE - upper radiator	18.10
B2037	68	HOSE - upper radiator, 427	16.00
C2011	73-74	HOSE - upper radiator, 454	16.25

Radiator Hoses 427/454 With GM Logo & Part Number

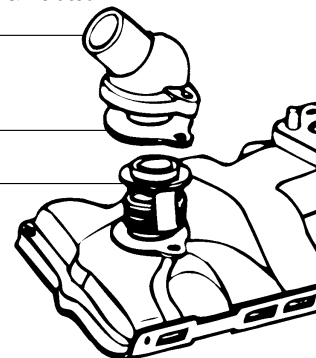
C2208	70-73	COUPLING - lower radiator hoses, all 454 w/AC	24.70
C2082	68	HOSE - lower radiator, 427 #3921908	28.00
B2085	68	HOSE - lower radiator 427 L88 #3882826	33.65
C2079	69-71	HOSE - lower radiator 69 L88 70-71 w/HD radiator #3946012	35.90
C2200	69-74	HOSE - lower radiator 69 427 w/o HD, 70-73 454 lower exc. AC/HD radiator, 74 454 lower, #3947868	42.00
C2201	70-73	HOSE - lower radiator 454 w/AC rear #3969929	16.85
C2202	70-73	HOSE - lower radiator 454 w/AC front #3969928	10.10
C2207	69	HOSE - upper radiator, all w/3x2 or 390hp, P.S. #3947867	39.25
C2062	68L	HOSE - upper radiator, 427 #3947866	32.50
C2077	69-71	HOSE - upper radiator, 69 427 w/L88,1970-71 w/HD aluminum radiator #3946011	33.65
C2076	69-72	HOSE - upper radiator, 69 427 w/P.S., 70-72 '454' exc. HD radiator, #3967433	33.65
C2203	73-74	HOSE - upper radiator, 454, #331876	28.05

Water Outlet / Thermostat Housing & Related

THERMOSTAT HOUSING
 (see application)

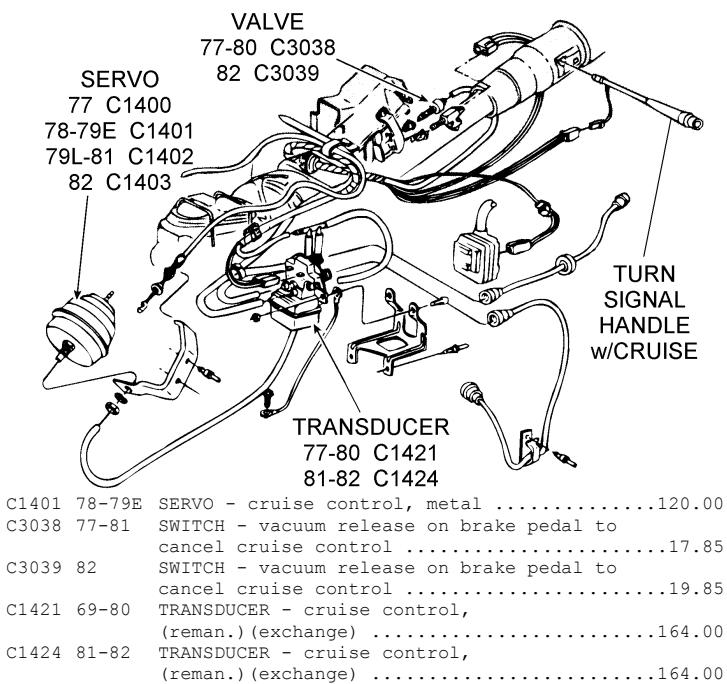
GASKET A2003

THERMOSTAT
 160 deg. A2025
 180 deg. A2037
 195 deg. A2000



B2205	68-82	BOLT SET - thermostat housing, exc. 350hp, 'TR' head mark	5.65
A2039	68-69	BOLT SET - thermostat housing, 327/350/350hp	6.70
A2003	68-82	GASKET - thermostat housing/water outlet	2.25
A2034	68	HOUSING - thermostat, 327/350hp, (GM repl.)	30.75
B2208	68-69	HOUSING - thermostat, GM #3827369, 68-69 L88	59.40
B2210	68-73	HOUSING - thermostat, all except L88, correct reproduction	54.95
C2084	74-81	HOUSING - thermostat	27.40
C2075	78-82	HOUSING - thermostat, w/2 thermo vacuum switch outlets, cast aluminum #469519, as original	41.50
C2081	82	HOUSING - thermostat	13.50
B2045	68-69	SPACER - thermostat housing, L-88	30.00
C2224	68-74	STUD - thermostat housing attaching, 327/350, 3/8-16 both ends	7.80
A2025	68-82	THERMOSTAT - 160 degree	6.95
A2037	68-82	THERMOSTAT - 180 degree	6.95
A2000	68-82	THERMOSTAT - 195 degree	6.95
B1989	63-67	HOUSING - thermostat, GM #3827369, 63-65 250/350hp, 66-67 350hp, 65 '396', 66 '427' w/A.I.R., 67 L88, recond. original	89.95

CRUISE CONTROL

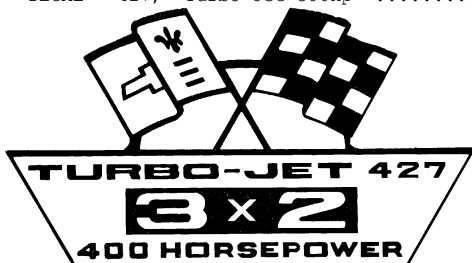


C1401	78-79E	SERVO - cruise control, metal	120.00
C3038	77-81	SWITCH - vacuum release on brake pedal to cancel cruise control	17.85
C3039	82	SWITCH - vacuum release on brake pedal to cancel cruise control	19.85
C1421	69-80	TRANSUDCER - cruise control, (reman.) (exchange)	164.00
C1424	81-82	TRANSUDCER - cruise control, (reman.) (exchange)	164.00

DECALS, INSTRUCTIONS & LABELS

Air Cleaner

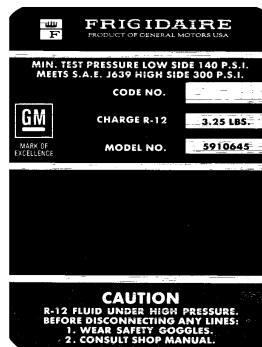
B2303	68	DECAL - '327 Turbo-Fire 300hp'	3.25
B2304	68	DECAL - '327 Turbo-Fire 350hp'	3.25
C2303	69-70	DECAL - '350 Turbo-Fire 300hp'	3.00
C2304	69-70	DECAL - '350 Turbo-Fire 350hp'	3.00
C2305	70	DECAL - '350 Turbo-Fire 370hp', sp. hi-perf/LT1	3.50
C2306	71	DECAL - '350 Turbo-Fire 270hp'	3.50
C2307	71	DECAL - '350 Turbo-Fire 330hp', LT1	3.00
C2308	72	DECAL - '350 Turbo-Fire 255hp', LT1	3.00
B2306	68-69	DECAL - 427, Crossed Flags	3.50
C2474	70	DECAL - 454, Crossed Flags	2.60
B2308	68-70	DECAL - 427, 'Turbo-Jet 390hp'	3.50



AIR CLEANER DECAL - B2309			
B2309	68-69	DECAL - 427, w/3x2 'Turbo-Jet', 400hp	3.50
B2310	68-69	DECAL - 427, w/3x2 'Turbo-Jet', 435hp	3.50
C2312	70	DECAL - 454, 'Turbo-Jet 460hp'	3.25
C2313	71	DECAL - 'Turbo-Jet 454/425hp', silver	3.25
C2314	71	DECAL - 'Turbo-Jet 454/365hp', silver	3.25
C2315	71	DECAL - Keep Your GM Car All GM, 'CR' code	3.25
C2316	72	DECAL - Keep Your GM Car All GM, 'CR' code	3.25
C2317	73	DECAL - Keep Your GM Car All GM, 'DO' code	3.25
C2318	74	DECAL - Keep Your GM Car All GM, 'DB' code	3.25
C2319	75	DECAL - Keep Your GM Car All GM, 'EJ' code	3.50
C2320	76	DECAL - Keep Your GM Car All GM, 'EY' code	5.95
C2321	77	DECAL - Keep Your GM Car All GM, 'CE' code	3.50
C2322	78	DECAL - Keep Your GM Car All GM, 'CG' code	3.50
C2323	79	DECAL - Keep Your GM Vehicle All GM, 'CG' code	3.35
C2324	80	DECAL - Keep Your GM Vehicle All GM, 'CG' code	3.50
C2325	81	DECAL - Keep Your GM Vehicle All GM, 'FY' code	3.50

Air Conditioning

B2320	68	STICKER - Frigidaire AC Compressor	5.65
-------	----	------------------------------------	------



AIR CONDITIONING AC COMPRESSOR DECAL C2335

C2335	69	STICKER - Frigidaire AC Compressor	5.95
C2338	70-71	STICKER - Frigidaire AC Compressor, all w/350	5.95
C2287	70-71	STICKER - Frigidaire AC Compressor, w/454	8.65
C2340	72-73	STICKER - Frigidaire AC Compressor, all w/350	5.95
C2288	72-73	STICKER - Frigidaire AC Compressor, w/454	5.65
C2327	72-73	STICKER - Frigidaire AC Compressor, all w/454	5.95
C2289	74	STICKER - Frigidaire AC Compressor, w/454	5.45
C2339	74-75	STICKER - Frigidaire AC Compressor	5.95
C2341	76	STICKER - Frigidaire AC Compressor	5.95
C2284	79	STICKER - Delco AC Compressor	5.95
C2285	80-82	STICKER - Delco AC Compressor	6.95
C2326	68	STICKER - Harrison heat exchanger, on firewall	6.95
C2329	69	STICKER - Harrison heat exchanger, on firewall	6.95
C2332	70-71	STICKER - Harrison heat exchanger, on firewall	6.95
C2330	72	STICKER - Harrison heat exchanger, on firewall	6.95
C2333	73	STICKER - Harrison heat exchanger, on firewall	6.95
C2328	74-75	STICKER - Harrison heat exchanger, on firewall	6.95
C2334	76	STICKER - Harrison heat exchanger, on firewall	6.95

Body Kits - Stock

C2492	78	DECAL KIT - body, silver anniversary	359.95
C2493	78	DECAL KIT - body, pace car	359.95
C2292	82	INSTALLATION KIT - decal, 8 oz.	20.00

NOTE: Decal Installation Kit C2292 includes fluid, utility knife, squeegee, spray bottle and instructions.

G1501	68-82	REMOVER - decal, 3M brand, 18 oz.	15.95
-------	-------	-----------------------------------	-------

NOTE: Decal Remover G1501 permits removal of old decals without damage to paint, sets up decals so they can be removed with a squeegee, not for use with lacquer paints.

Coil Springs / Front & Stabilizer Bar

C2451	68-75	DECAL SET - front coil springs, 'EA', heavy duty suspension, (pr)	5.95
C2425	68-72	DECAL SET - front coil springs, 'HS', standard, small block, (pr)	5.95
C2426	68-74	DECAL SET - front coil springs, 'HT', w/AC, 325/350 exc. heavy duty suspension, (pr)	5.95

COIL SPRING DECAL SET C2427



C2427	68-72	DECAL SET - front coil springs, 'HU', 427/454 w/std. Suspension, (pr)	4.95
C2428	68-74	DECAL SET - front coil springs, 'HV', w/427/454 & AC, (pr)	4.50
B2439	68-72	TAG - stabilizer bar, front, standard suspension	2.95

Console

C2402	69	CONSOLE DATA PLATE - L-36 427,390HP 10.25-1	11.50
C2403	69	CONSOLE DATA PLATE - L-68 427,400HP 10.25-1	11.50
C2405	69	CONSOLE DATA PLATE - L-71 427,435HP 11.00-1	11.50
C2421	69	CONSOLE DATA PLATE - L88 427	16.95
C2401	69-70	CONSOLE DATA PLATE - BASE 350,300HP 10.25-1	11.50
C2404	69-70	CONSOLE DATA PLATE - L-46 350,350HP 11.00-1	11.50
C2406	70	CONSOLE DATA PLATE - LT-1 350-370HP 11.00-1	11.50
C2407	70	CONSOLE DATA PLATE - LS-5 454,390HP 10.25-1	11.50
C2408	71	CONSOLE DATA PLATE - BASE 350,270HP 8.5-1	11.50
C2409	71	CONSOLE DATA PLATE - LT-1 350, 330HP 9.0-1	11.50
C2410	71	CONSOLE DATA PLATE - LS-5 454, 365HP 8.5-1	11.50
C2411	71	CONSOLE DATA PLATE - LS-6 454,425HP 9.0-1	11.50
C2412	72	CONSOLE DATA PLATE - BASE 350 8.5-1	11.50
C2413	72	CONSOLE DATA PLATE - LT-1 350 9.0-1	11.50
C2414	72	CONSOLE DATA PLATE - LS-5 454 8.5-1	11.50
C2416	73	CONSOLE DATA PLATE - L-82 350 9.0-1	11.50

C2417	73-74	CONSOLE DATA PLATE - LS-4 454 8.25-1	11.50
C2415	73-74	CONSOLE DATA PLATE - L-48 350 8.5-1	11.50
C2418	74	CONSOLE DATA PLATE - L-82 350 9.0-1	11.50
C2419	75-76	CONSOLE DATA PLATE - L-48 350 8.5-1	11.50
C2420	75-76	CONSOLE DATA PLATE - L-82 350 9.0-1	11.50
C2290	68-69	DECAL - 103 octane, L88/ZL1	3.65

Converter

C2480	76-78	DECAL - catalytic converter caution, RH sun visor	4.55
-------	-------	---	------

Cooling System

C2344	73	DECAL - shroud caution	3.40
-------	----	------------------------	------



COOLANT WARNING DECAL C2345

C2345	73-77E	DECAL - coolant warning	5.50
C2347	79-80	DECAL - fan caution	4.35
C2348	80-82	DECAL - fan caution, large yellow	10.00
C2216	77L-82	DECAL - coolant bottle cap	4.50
A2348	68-72	LABEL - Harrison radiator, foil	4.50
B2346	68-72	LABEL - inspection number '8', green, expansion tank	3.00
B2347	68-72	LABEL - inspection number '3', green, expansion tank	3.00
B2348	68-72	STAMP KIT - '16CT' radiator inspection, w/327/350	21.25

Door

C2349	73-75	DECAL - tire pressure, on back LH door	4.95
C2350	76-77	DECAL - tire pressure, on back LH door	4.95
C2291	78-82	DECAL - tire pressure, on left hand door at rear	4.95
C2351	68-77	EMBLEM SET - inside door handle, (pr)	8.95


Emission Control Label

EMISSION CONTROL DECAL C2352

THIS ENGINE IS EQUIPPED TO REDUCE EXHAUST EMISSIONS. THE FOLLOWING ADJUSTMENTS ARE NECESSARY TO MAINTAIN THE EFFECTIVENESS OF THE SYSTEM (With engine at operating temperature, choke open, air cleaner installed, no conditioning on)

1. Set mixture screws for max. idle rpm and adjust speed to obtain 600 RPM IN DRIVE
2. Set ignition timing at 4° BTDC (Plug vacuum advance line - this step only)
3. Adjust mixture screw in to obtain a 20 rpm drop (less roll)
4. Adjust mixture screw out 1/4 turn.
5. Repeat steps 3 and 4 for second mixture screw (if so equipped)
6. Readjust speed screw if necessary to specified idle rpm.

See Service Manual for Additional "Tune-Up" Instruction.



PRINTED IN U.S.A.

PART NO. 3327738

C2352	68	DECAL - 300/390/400hp auto, code # 'B'	5.75
C2353	68	DECAL - 300hp w/manual, code # 'T'	5.50
C2346	68	DECAL - 350hp, code # 'U'	5.00
C2354	68	DECAL - 390hp w/manual, code # 'F'	5.50
C2355	68	DECAL - 400/435hp w/manual, code # 'M'	5.50
C2356	68	DECAL - 430hp L-88, code # 'V'	5.50
C2357	69	DECAL - 300/350hp, code # 'CF'	5.50
C2358	69	DECAL - 390/400hp, code # 'CJ'	5.50
C2359	69	DECAL - 435hp & L88, code # 'CN'	5.50
C2360	70	DECAL - 300hp, code # 'CR'	5.50
C2361	70	DECAL - 350hp, code # 'AX'	5.50
C2362	70	DECAL - 370hp LT-1, code # 'CT'	5.50
C2363	70	DECAL - 454/390hp, code # 'DQ'	5.50
C2364	71	DECAL - 270hp (base), code # 'AR'	5.50
C2365	71	DECAL - 330hp LT-1, code # 'AX'	5.50
C2366	71	DECAL - 454/365hp, code # 'AV'	5.50
C2367	71	DECAL - 454/425hp, code # 'AZ'	5.50
C2368	71	DECAL - vapor canister, (yellow)	5.65
C2369	72	DECAL - base engine, code # 'LJ'	5.75
C2370	72	DECAL - LT-1, code # 'LP'	5.50
C2371	72	DECAL - 454, code # 'LZ'	5.65
C2372	73	DECAL - L-48, code # 'WJ'	5.50
C2373	73	DECAL - L-82, code # 'WK'	5.50
C2374	73	DECAL - 454, code # 'WN'	5.65
C2375	74	DECAL - L-48 Base, code # 'ZB'	5.65
C2376	74	DECAL - L-82, code # 'ZF'	5.50
C2377	74	DECAL - California 454hp, code # 'ZJ'	5.50
C2378	74	DECAL - 454 Federal, code # 'ZH'	5.50
C2379	75	DECAL - L-48, code # 'AS'	5.50
C2380	75	DECAL - L-48 California, code # 'DR'	5.65
C2381	75	DECAL - L-82, code # 'AU'	5.65
C2382	76	DECAL - L-48, code # 'XX'	10.95
C2383	76	DECAL - L-48 California, code # 'X2'	5.65
C2384	76	DECAL - L-82, code # 'XY'	5.50
C2385	77	DECAL - L-48 Federal, code # 'AY'	5.65
C2386	77	DECAL - L-48 California, code # 'A2'	5.50
C2387	77	DECAL - L-48 Hi-Alt, code # 'CB'	5.95
C2388	77	DECAL - L-82, code # 'CA'	5.95
C2389	78	DECAL - L-48 Federal, code # 'DU'	5.95
C2390	78	DECAL - L-48 California, code # 'WA'	5.65
C2391	78	DECAL - L-48 Hi-Alt, code # 'DY'	5.50
C2392	78	DECAL - L-82, code # 'DW'	5.95
C0801	79	DECAL - L-82 Federal 350, code # 'X6'	11.25

C0802	79	DECAL - L-48 Federal 350, code # 'CJ'	11.35
C0803	79	DECAL - L-48 Hi-Alt, 350, code # 'CM'	11.25
C0804	79	DECAL - L-48 California 350, code # 'CR'	11.35
C0805	80	DECAL - auto trans, Federal L48 350, code # 'CX'	11.25
C0806	80	DECAL - auto trans, L82 350, code # 'ADN'	11.25
C0807	80	DECAL - California 305, code # 'DR'	11.25
C0808	80	DECAL - L48, manual transmission 350, code # '32'	10.35
C0810	81	DECAL - auto transmission Federal, code # 'AUD'	10.35
C0811	81	DECAL - manual transmission Federal, code # 'AUF'	11.25
C0812	81	DECAL - auto transmission California, # 'AUH'	11.25
C0813	81	DECAL - manual transmission California, # 'AUJ'	11.25
C0814	82	DECAL - manual transmission Federal, # 'CCW'	10.35
C0815	82	DECAL - auto transmission California, # 'CCX'	10.35

Engine Compartment Decal Kits

C2301	68	DECAL KIT - 300hp (4 pc incl. B2303, B2335, B2346, B2347)	10.00
C2302	68	DECAL KIT - 350hp (5 pc incl. B2304, B2335, B2346, B2347, C2346)	14.00
C2309	68	DECAL KIT - 390hp (6 pc incl. B2306, B2308, B2335, B2336, B2363, & B2399)	15.70
C2311	68	DECAL KIT - 400hp - 6 pc incl. B2347, B2346, B2309, B0199, B2363, B2335	14.60
C2429	68	DECAL KIT - 435hp (6 pc incl. B2310, B2335, B2363, B0199, C2475, & C2355)	19.10
C2342	69	DECAL KIT - 300hp (3 pc incl. C2335, C2303, C2357)	9.75
C2343	69	DECAL KIT - 350hp (3 pc incl. B2335, C2304, C2357) specify if aluminum radiator	10.15
C2400	69	DECAL KIT - 390hp (7 pc incl. B2306, B2308, B2335, B2336, B2363, B2399, C2358)	20.20
C2423	69	DECAL KIT - 400hp (6 pc incl. B2309, B2335, B2336, B2363, B2399, & C2355)	19.00
C2424	69	DECAL KIT - 435hp (6 pc incl. B2310, B2335, B2336, B2363, B2399, & C2333)	19.50

Exhaust

B2336	68-72	STAMP KIT - off road muffler	20.70
-------	-------	------------------------------	-------

Fuel Warning

FUEL RECOMMENDATION DECAL C2300

HOW TO SELECT THE PROPER GASOLINE FOR PERFORMANCE • ECONOMY • ECOLOGY

This vehicle is designed to operate on unleaded or low lead fuels of at least 91 Research Octane. These fuels will minimize spark plug fouling and emission system deterioration. Leaded regular fuels containing more than 0.5 grams of lead per gallon normally should not be used. The engine does not require premium fuel. Therefore, its use would be an unnecessary additional expense.

If the service station gas pump has a symbol similar to the sample below, preferably use unleaded or low-lead gasoline with a symbol number of 2. A higher number is satisfactory but not required.



Ask your gasoline dealer for information on the fuel you are using both as to lead content and octane rating.



PRINTED IN U.S.A.

PT. NO. 339203

C2300	75-77	DECAL - gasoline recommendation	4.00
C2398	75-77	DECAL - black letters for light colored cars	4.50
C2399	75-77	DECAL - white letters for dark colored cars	5.70
C2396	78-80	DECAL - silver letters	9.35

Fuel System

C2450	69-71	LABEL - caution, idle on carburetor solenoid	5.10
-------	-------	--	------

Gas Cap



GAS CAP LABEL C2488

C2488	71	LABEL - 'OPEN SLOWLY CAUTION', on gas cap	5.65
-------	----	---	------

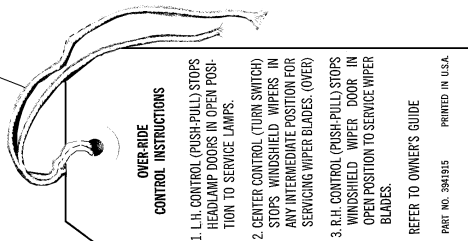
Glove Box Label & Inserts

L0040	68	BAG - owner's manual w/key logo	4.00
-------	----	---------------------------------	------

L0041	69-72	BAG - owner's manual w/key logo	4.00
C2393	68-72	DECAL - tire pressure for glove box	3.00
C2397	76-78	DECAL - owner's manual packet, w/aluminum wheel instructions	3.85
B2445	68	ENVELOPE - key	5.20
B2327	68	INSERT - trim ring card for glove box	5.00

Headlight

HEADLIGHT INSTRUCTION DECAL C2452



C2452	68	CARD - headlight, over ride control instructions, hanging	3.95
C2494	69-70	CARD - headlight washer instructions, hanging	5.15

Hood

C2431	70E	DECAL SET - LT1 hood, black, (pr)	8.20
C2766	70L-72	DECAL - LT-1 hood, white	15.95

Idle Stop Solenoid

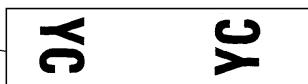
C2491	71	LABEL - idle stop solenoid 'Caution'	5.10
-------	----	--------------------------------------	------

Jacking Instructions

C2432	68-72	INSTRUCTIONS - jacking	4.25
C2433	73-74	INSTRUCTIONS - jacking	4.25
C2434	75-78	INSTRUCTIONS - jacking	4.25
C2495	79-81	INSTRUCTION SET - jacking, (2 pc.)	6.30

Master Cylinder

MASTER CYLINDER LABEL - B2334



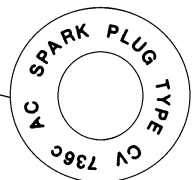
B2335	68-79	LABEL - master cylinder bail, 'TG'	3.40
B1233	68-72	LABEL - master cylinder bail, 'YA'	3.50
B2334	68-79	LABEL - master cylinder bail, 'YC'	3.15

Mirror

C6405	73-77	LABEL - mirror w/map light, (clear w/white printing)	3.50
-------	-------	--	------

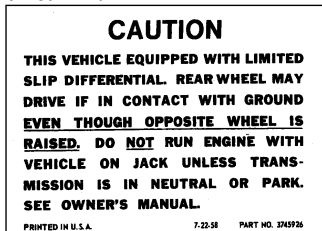
P.C.V. Valve

PCV TAG B0199



B0199	68-72	TAG - PCV valve, '736C'	3.50
-------	-------	-------------------------	------

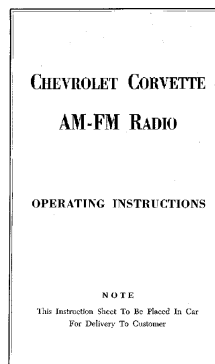
Posi-Traction / Rear End



POSI-TRACTION DECAL A2330

A2330	68-71	DECAL - all w/posi-traction, 'CAUTION'	3.95
C2439	72-73	DECAL - 'CAUTION', w/posi-traction	3.00
B2339	68-69	TAG - red plastic, posi-traction for rear end drain plug	8.75
C2441	70-79	TAG - 'use limited slip differential lubricant only', red plastic	9.00

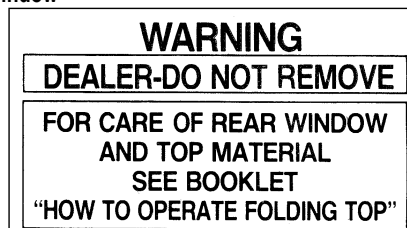
Radio



RADIO INSTRUCTIONS

B7117	68-69	CARD - radio antenna, hangs on RH radio knob	4.45
C2394	68-82	INSTRUCTIONS - AM/FM radio	4.50

Rear Window

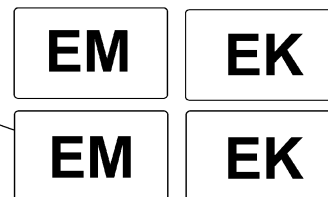


SOFT TOP TAG A2379

A2379	68-75	TAG - warning, rear window, convertible top	3.60
-------	-------	---	------

Shocks

SHOCK DECAL SET B2355



B0016	68	DECAL SET - heavy duty, 'EN/EP', front & rear, (4 pc.)	8.10
B2355	68-79	LABEL SET - 'EK/EM', standard suspension, front & rear, (4 pc.)	7.25
B2356	68-79	LABEL SET - 'EN/EP', F41 suspension, front & rear, (4 pc.)	7.25
C2266	68-69	LABEL SET - shock, standard suspension, (4 pc.)	7.70
C2267	69	LABEL SET - 'EN/AC' shocks, heavy duty suspension, (4 pc.)	7.70
C2268	70-71	LABEL SET - shock, standard suspension, (4 pc.)	8.85
C2269	70-71	LABEL SET - shock, heavy duty suspension, (4 pc.)	7.25
C2270	72	LABEL SET - shock, standard suspension, (4 pc.)	7.25
C2271	72-74	LABEL SET - shock, heavy duty suspension, (4 pc.)	7.20
C2272	73-74	LABEL SET - shock, standard suspension, (4 pc.)	7.25
C2273	75	LABEL SET - shock, heavy duty suspension, (4 pc.)	7.25
C2274	75	LABEL SET - shock, standard suspension, (4 pc.)	7.25
C2275	76-78	LABEL SET - shock, heavy duty suspension, (4 pc.)	7.25
C2276	76-77	LABEL SET - shock, heavy duty suspension, (4 pc.)	7.25
C2277	78	LABEL SET - shock, heavy duty suspension, (4 pc.)	7.25

Steering Column

C2489	69L	LABEL - steering column, interlock warning, (clear w/white lettering)	3.40
-------	-----	---	------

Storage Compartment /Center

C2453	73-74	DECAL - gasoline recommendation, on center storage compartment	3.70
C2479	71-72	DECAL - vehicle maintenance	4.30

Sun Visor

C2478	74-76	DECAL - starting instructions, LH sun visor	5.75
-------	-------	---	------

Transistorized Ignition

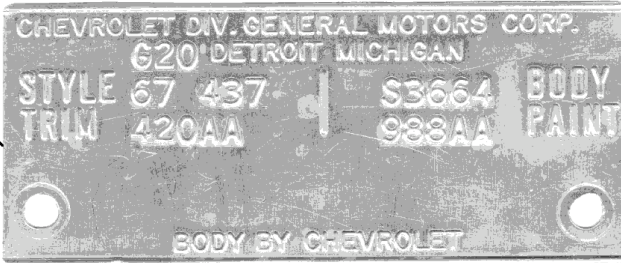
68-71 T.I. DECAL
B2353



- B2354 68-71 DECAL - amplifier, transistorized ignition ...4.00
- B2353 68-71 DECAL - coil, transistorized ignition4.00

Trim Tags

TAG
B2398

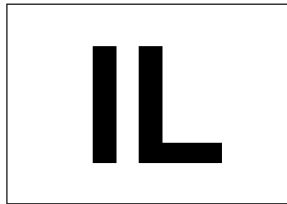


- B2398 68-82 TAG - trim, includes rivets w/all related data as supplied by customer, exact duplicate295.00

Valve Cover

- B2363 68-70 DECAL - 'Tonawanda #1 Team' RH only 427/454, (Mylar)3.95
- C2814 69-82 DECAL/EMBLEM - aluminum valve cover circle ...5.45

Valve Cover Letters



VALVE COVER DECAL
B2366

- B2366 68 DECAL - 'IL' 390hp, 4 speed3.95
- B2367 68 DECAL - 'IQ' 390hp, auto3.95
- B2391 68 DECAL - 'IT' 427, L88, 4 speed3.95
- B2372 68 DECAL - 'HE' 327/300hp, 4 speed3.95
- B2373 68 DECAL - 'HO' 327/300hp, auto3.95
- B2376 68 DECAL - 'HT' 327/350hp, 4 speed3.95
- B2378 68 DECAL - 'HP' 327hp, P/S & AC, 4 speed3.95
- B2379 68 DECAL - 'IM' 427/400hp, 3x2, hi-perf3.95
- B2380 68 DECAL - 'IU' L89/427 3x2 aluminum heads3.95
- C2454 68 DECAL - 'IO' 427 hi/perf., auto 3x23.95
- B2384 68 DECAL - 'IR' L71, 427/4353.95
- C2455 69 DECAL - 'HW' 350 hi/perf3.95
- C2456 69 DECAL - 'HX' 350 hi/perf. AC3.95
- C2457 69 DECAL - 'HY' 350 4 speed3.95
- C2458 69 DECAL - 'HZ' 350 auto3.95
- C2459 69 DECAL - 'LL' 427 auto3.95
- C2460 69 DECAL - 'LM' 427 hi-perf3.95
- C2461 69 DECAL - 'LN' 427 hi-perf. 3x2 auto3.95
- C2462 69 DECAL - 'LO' 427 heavy duty3.95
- C2463 69 DECAL - 'LQ' 427 3x23.95
- C2464 69 DECAL - 'LR' 427 3x2 sp. hi-perf3.95
- C2465 69 DECAL - 'LT' 427 3x2 sp. hi-perf. heavy duty clutch3.95
- C2466 69 DECAL - 'LX' 427 3x2 sp. hi-perf. auto3.95
- C2467 69 DECAL - 'LP' 427, aluminum heads3.95
- C2469 69 DECAL - 'LW' 427, aluminum heads, auto3.95
- C2470 69 DECAL - 'MH' 427, 390hp, K66 & 4 speed3.95
- C2471 69 DECAL - 'MI' 427, 390hp, K66 & T head mark3.95
- C2472 69 DECAL - 'MJ' 427, 400hp, L36 engine 3x23.95

Window Stickers

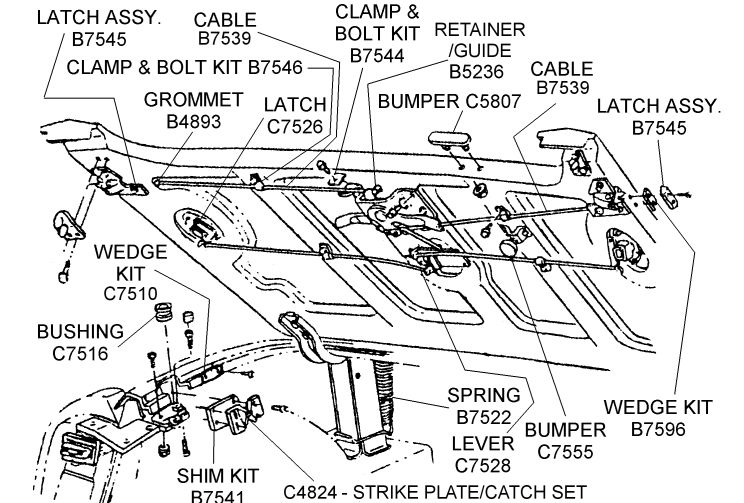
- B2421 68 STICKER - window4.25
- C2481 69-72 STICKER - window4.25
- C2482 73 STICKER - window4.30
- C2483 74-77 STICKER - window4.70

Wiper Motor

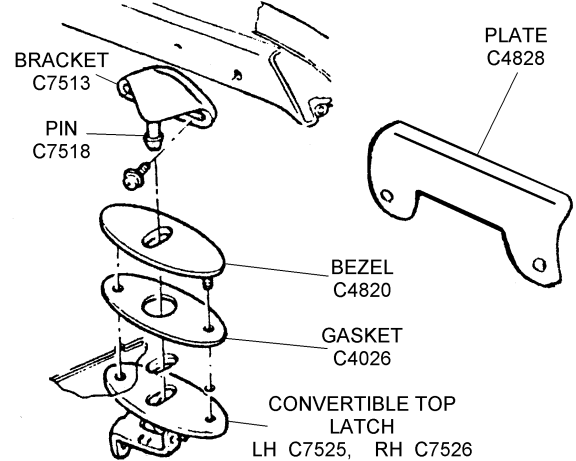
- C2442 69 LABEL- wiper motor, w/part #5044731, (specify quarter date)2.50
- C2443 70 LABEL- wiper motor, w/part #5044758, (specify quarter date)2.50
- C2444 71-72 LABEL- wiper motor, w/part #5044780, (specify quarter date)2.50
- C2445 73 LABEL- wiper motor, w/part #5044784, (specify quarter date)2.50

- C2447 74-75 LABEL- wiper motor, w/part #5044811, (specify quarter date)2.50
- C2448 76-78 LABEL- wiper motor, w/part #5044814, (specify quarter date)2.50
- C2449 79-82 LABEL- wiper motor, w/part #5044907, (specify quarter date)2.50

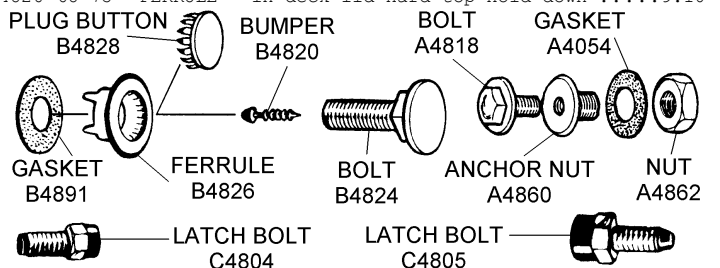
DECK LID - Convertible



- C4820 68-75 BEZEL - soft/hard top rear deck lid latch, chrome34.95
- C7591 68-75 BOLT - convertible deck lid, pivot type12.00
- A4818 68-75 BOLT - hard top hold-down/side, stainless steel, (4 req.) (ea)6.90

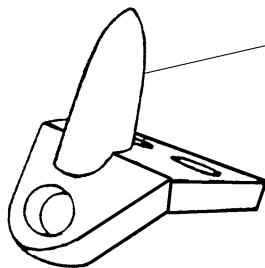


- C7513 68-75 BRACKET - convertible rear bow lock pin29.00
- C7555 68-75 BUMPER - convertible hold down on deck lid ..11.95
- C5807 72-75 BUMPER - convertible seat back on deck lid ..15.95
- C7516 68-75 BUSHING - deck lid, lower guide pin, on body2.65
- B7539 68-75 CABLE - deck lid lock release, (2 req.) (ea) ..8.50
- B4896 68-75 CATCH - deck lid on body, 2 req. ea26.30
- B7544 68-75 CLAMP & BOLT KIT - deck lid cable on release mechanism, (4 pc.)10.50
- B7546 68-75 CLAMP & BOLT KIT - deck lid release cable on deck lid, (4 pc.)8.50
- C7565 68-75 DECK LID - usedCALL
- B4826 68-75 FERRULE - in deck lid hard top hold-down9.10



- A4054 68-75 GASKET SET - hard top anchor nut2.10
- C4026 68-75 GASKET SET - latch bezel on deck lid, (pr) ..4.65
- B4893 68-75 GROMMET - deck lid release cable, (2 req.) (ea)1.95
- C9264 68-75 HINGE ASSEMBLY - deck lid, LH, used125.00

C9263	68-75	HINGE ASSEMBLY - deck lid, RH, used	125.00
C7525	68-75	LATCH - convertible rear, on deck lid, LH	54.50
C7526	68-75	LATCH - convertible rear, on deck lid, RH	54.50
B7545	68-75	LATCH ASSEMBLY - deck lid side, (2 req.) (ea)	49.25
C7528	68-75	LEVER - rear bow lock, convertible	9.00
C7566	68-75	MECHANISM - deck lid release latch, used	45.00
A4862	68-75	NUT - hard top anchor hold down, jamb type, (ea)	1.00
A4860	68-75	NUT - hard top retainer on deck lid, stainless steel	6.80

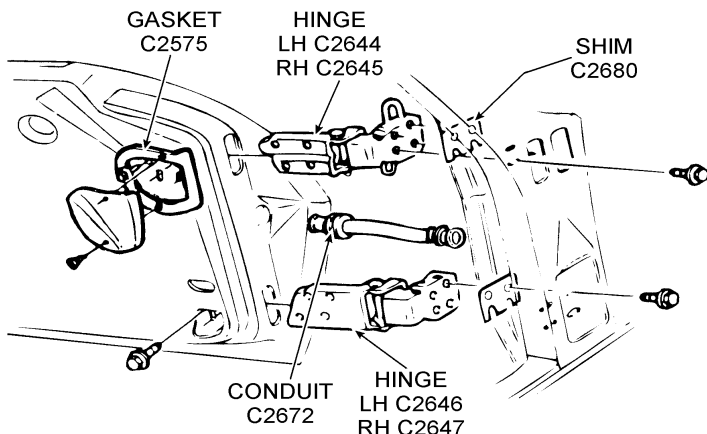


LID LOCK PIN SET C7567

C7518	68-72	PIN/LOCK - rear convertible guide, 68 repl. 2 req. ea.	9.95
C7558	68-75	PROTECTOR - deck lid surface, convertible top, black	31.00
C7557	68-75	PROTECTOR - deck lid surface, convertible top, clear	31.00
C7560	68-75	PROTECTOR - deck lid surface, hard top, black	27.95
C7559	68-75	PROTECTOR - deck lid surface, hard top, clear	30.95
C7532	68-70	REINFORCEMENT - deck lid hinge, convertible, LH, on floor	31.00
C7533	68-70	REINFORCEMENT - deck lid hinge, convertible, RH, on floor	36.20
C7534	71-75	REINFORCEMENT - deck lid hinge, convertible, LH, on floor	31.00
C7535	71-75	REINFORCEMENT - deck lid hinge, convertible, RH, on floor	31.00
B5236	68-75	RETAINER/GUIDE - release cable, w/ single screw, (2 req.) (pr)	3.45
C7590	68-75	ROD - rear bow lock release, center, w/nuts & clip	13.95
B7554	68-75	SCREW SET - deck lid catch to body, 8 pc.	9.25
B7595	68-75	SCREW SET - deck lid hinge, top & bottom, 10 pc.	6.25
B4895	68-75	SCREW SET - deck lid release mechanism	4.00
B7542	68-75	SCREW SET - latch on deck lid, 6 pc.	6.45
B7593	68-75	SHIM - deck lid hinge & deck lid hinge spring, 1/16'	1.00
B7541	68-75	SHIM SET - anti skid, for deck lid catch, (4 pc.)	23.35
B7522	68-75	SPRING - deck lid hinge	9.95
B4894	68-75	SPRING - latch release mechanism	4.75
C4828	68-75	STRIKER PLATE/CATCH SET - w/rivets, convertible top striker on body, stainless, (pr)	11.50
C7523	68-69	WEDGE - deck lid alignment, on lid, brass, (ea)	36.00
C7510	69-75	WEDGE SET - deck lid alignment on body/plastic, (2 pc.)	21.95

DOOR

Hinge, Pillar, Striker



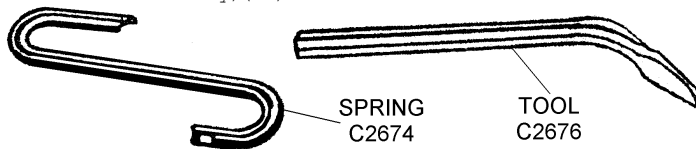
C2639	68-75	BOLT SET - receiver to door receiver reinforcement, located inside door pillar, 'anchor' HM, convertible, (6 pc.)	14.00
-------	-------	---	-------

A2686	68-82	BUSHING SET - door hinge pin, (8 pc.)	6.00
C2607	70-75	GUIDE/WEDGE - on door - all convertibles, die cast chrome plated aluminum, w/studs, LH	50.45
C2609	70-75	GUIDE/WEDGE - on door - all convertibles, die cast chrome plated aluminum, w/studs, RH	50.45
C2633	68	GUIDE/WEDGE SET - door alignment, all convert., brass & plastic (4 pc.)	52.25
C2646	68-82	HINGE - door, lower, LH	97.50
C2578	68-82	HINGE - door, lower, LH, (used, reconditioned, outright)	39.95
C2579	68-82	HINGE - door, lower, RH, (used, reconditioned, outright)	39.95
C2644	68-82	HINGE - door, upper, LH	149.50
C2645	68-82	HINGE - door, upper, RH	CALL
C2576	68-82	HINGE - door, upper, LH, (used, reconditioned, outright)	39.95
C2577	68-82	HINGE - door, upper, RH, (used, reconditioned, outright)	39.95
C2605	68-82	PIN - striker, door latch on body	4.10
A2684	68-82	PIN - door hinge	6.85
A2685	68-82	PIN & BUSHING KIT - door hinge repair, (12 pc.)	15.30



RECEIVER/DOOR GUIDE C2600

C2600	70-75	RECEIVER/DOOR GUIDE - on door jamb, all convertibles	96.25
C2687	70-75	REINFORCEMENT - convertible door guide, mounts into door, w/template & instructions, LH	22.45
C2688	70-75	REINFORCEMENT - convertible door guide, mounts into door, w/template & instructions, RH	22.45
C2648	70-75	SEAL - receiver/door guide on convertible body, foam w/adhesive	6.50
C2680	68-82	SHIM - door hinge	4.30
C2674	68-82	SPRING - door hinge, (lifetime warranty) (ea)	9.95

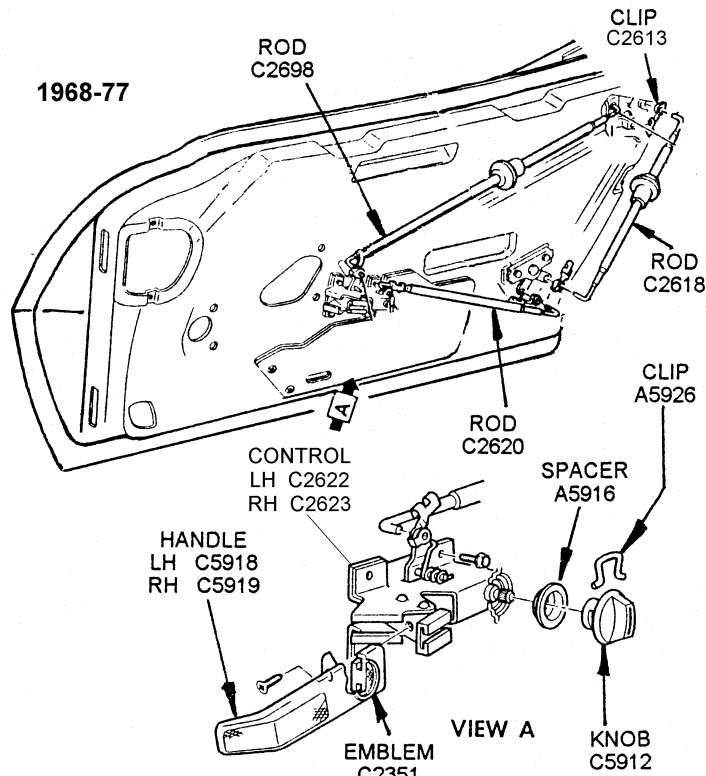


SPRING C2674

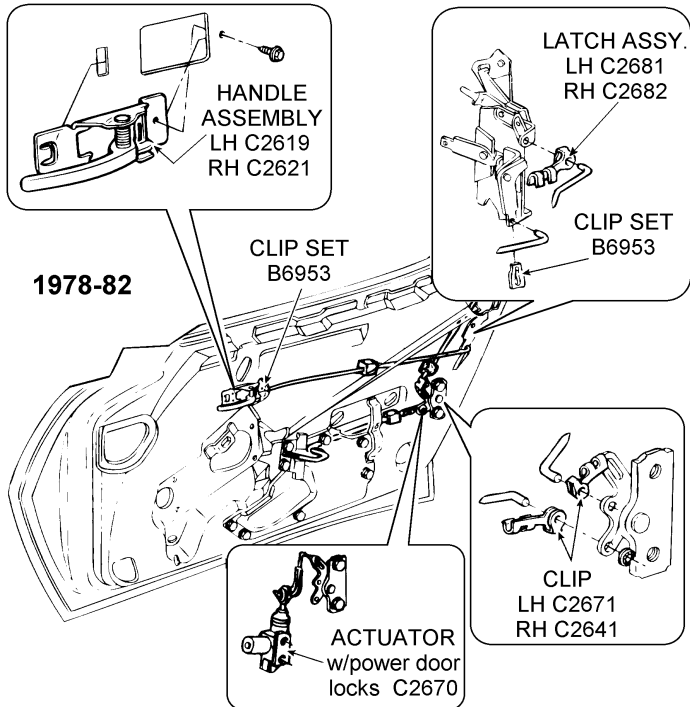
TOOL C2676

C2676	68-82	TOOL - door hinge spring installation	12.60
C4017	68-69	WEDGE/CATCH - door alignment, on rear of door, brass	69.55

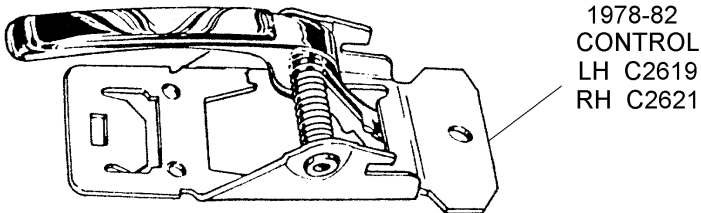
Internal



1968-77



C2670	78-82	ACTUATOR - power door lock, (2 req.) (ea)	39.95
C2627	68-82	BEARING - door glass, roller type	16.75
C2661	70-72	BUMPER SET - door, jamb warning alarm switch, (pr)	6.40
C2628	68-82	BUSHING - door glass lift channel, (ea)	5.95
C2659	68-82	BUSHING - door glass	7.55
C2653	68-82	CAP - door glass bushing	4.30
G2600	68-82	CAULK - door access plates, strip type	6.45
C2641	68-82	CLIP - inside door control rod, RH, (5 req.) (ea)	1.10
C2613	69-82	CLIP - outside door handle rod	4.70



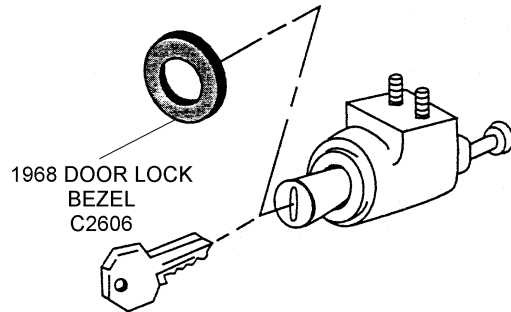
C2622	68-77	CONTROL - inside door opening, LH	84.50
C2623	68-77	CONTROL - inside door opening, RH	84.50
C2619	78-82	CONTROL - inside door opening, LH	21.95
C2621	78-82	CONTROL - inside door opening, RH	21.95
C2642	69-82	CUSHION - door glass anti-rattle, (felt covered) (4 req.) (ea)	52.90
C5940	68-79E	DIVERTER - door sill water, (68-71 repl.), LH	15.95
C5941	68-79E	DIVERTER - door sill water, (68-71 repl.), RH	15.95
C5943	79L-82	DIVERTER - door sill water, RH	16.95
C2575	68-82	GASKET - small door access plate	11.95
C4007	68-77	GROMMET - door rod, anti-rattle, (4 req.) (ea)	5.80
C2601	69-77	LATCH ASSEMBLY - door lock, LH	215.05
C2603	69-77	LATCH ASSEMBLY - door lock, RH	74.95
C2681	78-82	LATCH ASSEMBLY - door lock, LH	292.90
C2682	78-82	LATCH ASSEMBLY - door lock, RH, used	74.95
C2684	69L-82	NUT - door glass channel or guide roller, round	3.00
C2615	69-81	PIN/PIVOT - outside door handle rod	9.90
C4009	68-79	PLUG SET - power window hole, (2 req.) (ea)	2.90

NOTE: C4009 fills hole in front door edge and hinge pillar on cars with manual windows.

C2654	68-79	REGULATOR - w/o power windows, LH, original, reconditioned, w/new gear if required, exchange	139.95
C2655	68-79	REGULATOR - w/o power windows, RH, original, reconditioned, w/new gear if required, exchange	139.95
A5988	68-82	REPAIR KIT - door panel mount holes in door	28.60
B6144	68-77	RETAINER - door lock cylinder pawl	1.25
C6127	69-82	RETAINER - door lock	3.45
B6953	68-82	RETAINER SET - door pull lock rod, (2 pc.)	2.40
C2677	77L-82	RETAINER & SWITCH - drivers door lock & alarm activator (restored/original)	74.95
C2616	69-82	ROD - outside door, handle to mechanism, LH	16.00

C2617	69-82	ROD - outside door, handle to mechanism, RH	13.60
C2618	68-77	ROD - inside upper door lock mechanism	49.95
C2620	68-77	ROD - inside lower door lock mechanism	22.00
C2698	68-77	ROD - inside opening lock mechanism, (ea)	41.60
C2689	68-82	ROLLER SET - window regulator, (6 pc.)	12.00
C2631	68-82	ROLLER & SLIDE ASSEMBLY - door glass track	24.60
C2611	68-82	SPRING - power window regulator	25.90
C8676	77L-78	SWITCH - alarm on/off w/harness, drivers door	33.50
C8677	79-80	SWITCH - alarm on/off w/harness, drivers door	33.50
C8649	81-82	SWITCH - alarm on/off w/harness, drivers door, LH	33.50
C8655	81-82	SWITCH - alarm on/off w/harness, passenger door, RH	33.50
C2675	68-82	WASHER - door glass channel	4.00
B2668	68-77	WASHER - door lock knob to door panel, (plastic)	1.65
C2637	68	WASHER SET - rubber, door glass insulator, (4 pc.)	2.75
C2664	68-77	WASHER SET - rubber, door glass, (3 pr. req.) (2 pr)	2.20

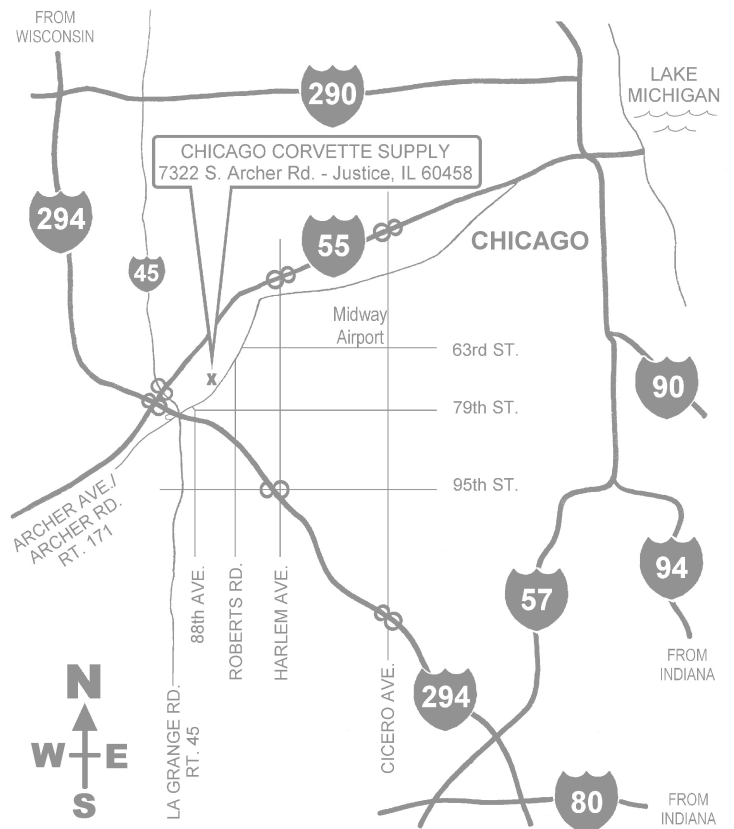
Outside Trim

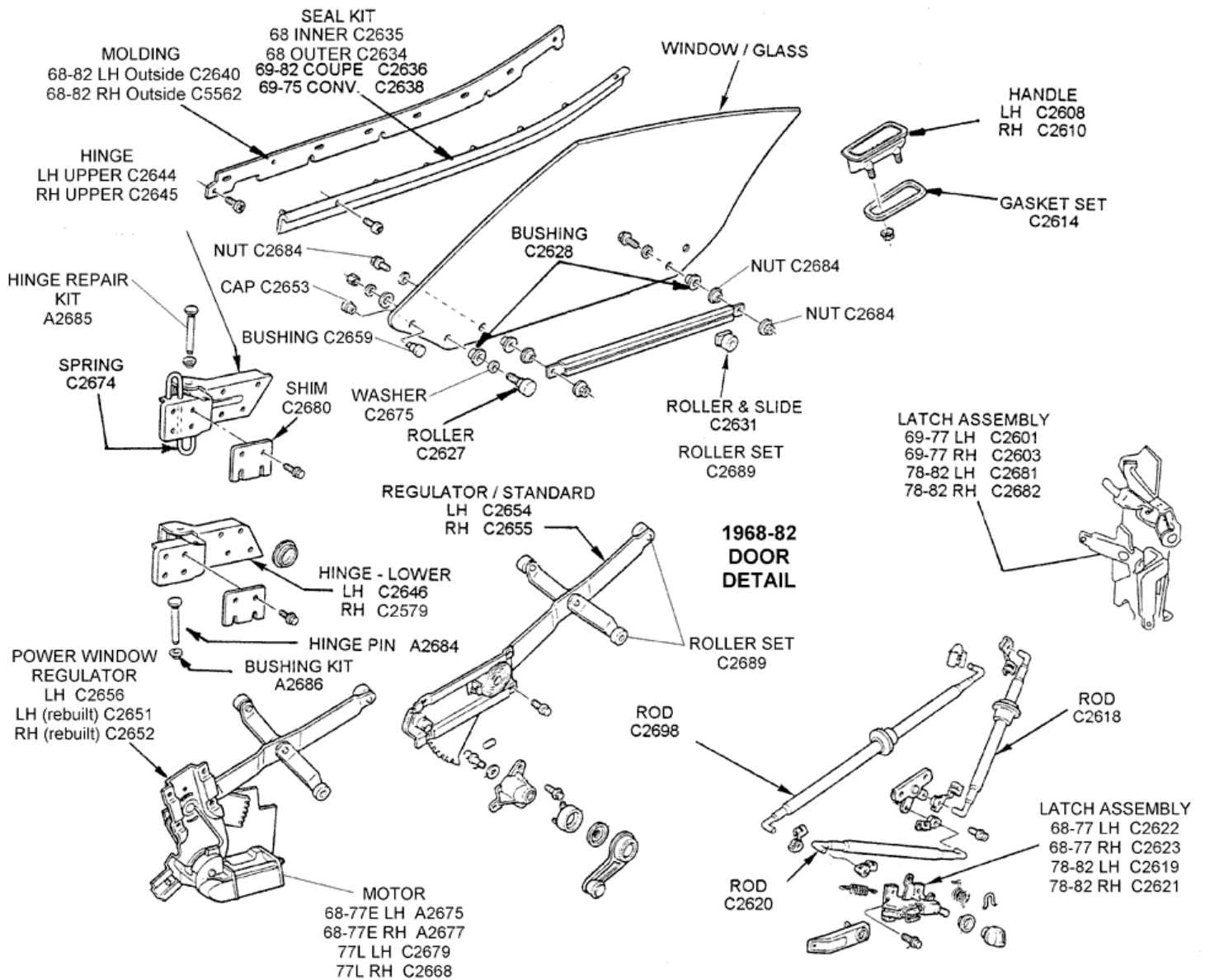
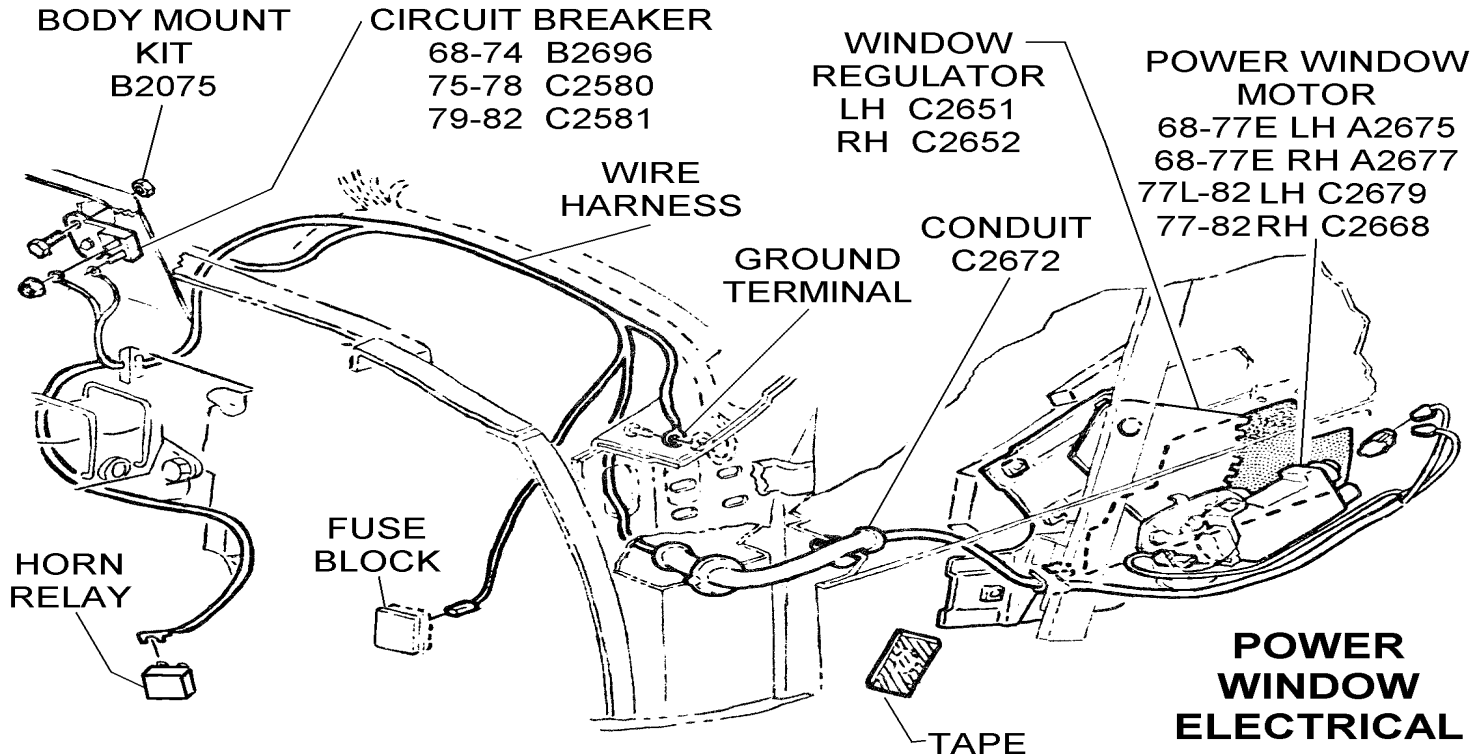


C2606	68	BEZEL - door open, push button	30.15
C2685	69-82	FASTENER SET - door, outer window trim molding, (6 pc.)	6.05
C2614	68-82	GASKET SET - door handle, (pr)	4.35
C4004	68-82	GASKET SET - door lock, (pr)	1.55

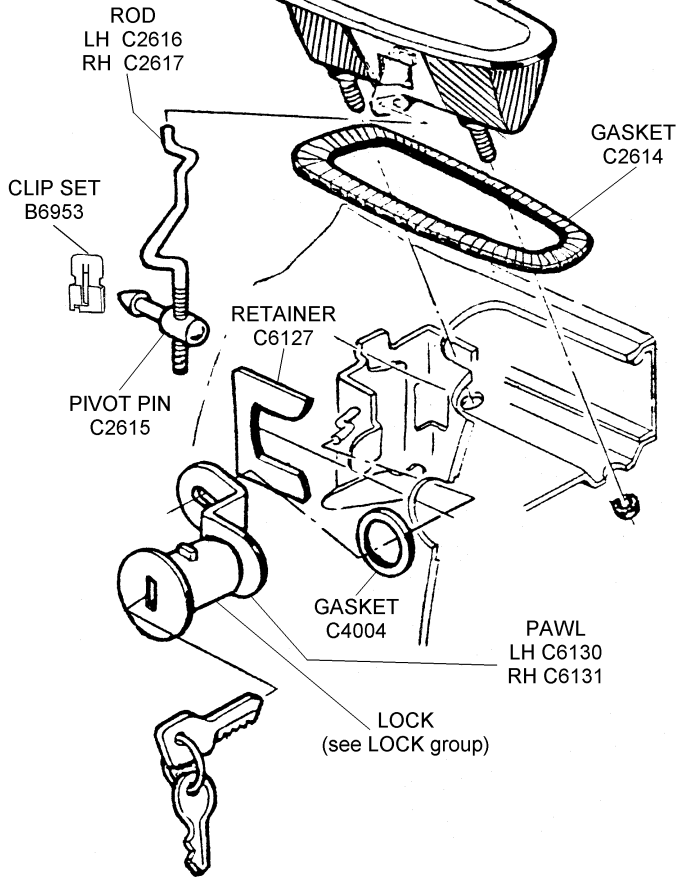
Chicago Corvette Supply is located in JUSTICE, ILLINOIS

5 minutes southwest of Chicago, near the intersection of I-55 and I-294

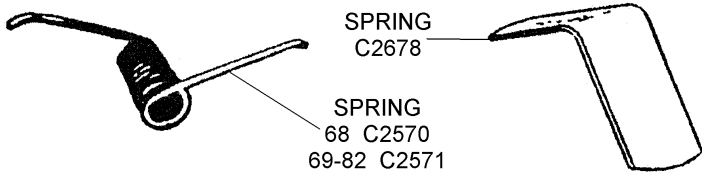




DOOR HANDLE
 68 LH C2602
 68 RH C2604
 69-82 LH imported C2608
 69-82 RH imported C2610
 69-82 LH U.S. made C2692
 69-82 RH U.S. made C2693



C2602	68	HANDLE - door, outer, LH	91.55
C2604	68	HANDLE - door, outer, RH	91.55
C2608	69-82	HANDLE - door, outer, LH	39.65
C2610	69-82	HANDLE - door, outer, RH	39.65
C2692	69-82	HANDLE - door, outer (U.S./GM made), LH	200.65
C2693	69-82	HANDLE - door, outer (U.S./GM made), RH	200.65
C2640	68-82	MOLDING - outer window trim, LH, (reconditioned original)	48.00
C2696	68-82	MOLDING - outer window trim, RH, (reconditioned original)	40.00
C2666	68-82	SCREW SET - trim molding, door outer window, (6 pc.)	3.05
C2634	68	SEAL KIT - outer window, (pr)	47.95
C2636	69-82	SEAL KIT - coupe, outer window, (pr)	64.95
C2638	69-75	SEAL KIT - convertible, outer window, (pr)	64.95

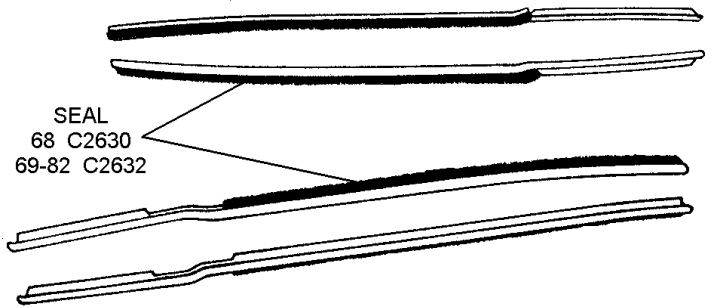


C2678	69-82	SPRING - door handle (repair your sagging door handle flapper) (ea)	8.40
C2570	68	SPRING - door handle repair	8.30

Passenger Compartment Side Trim

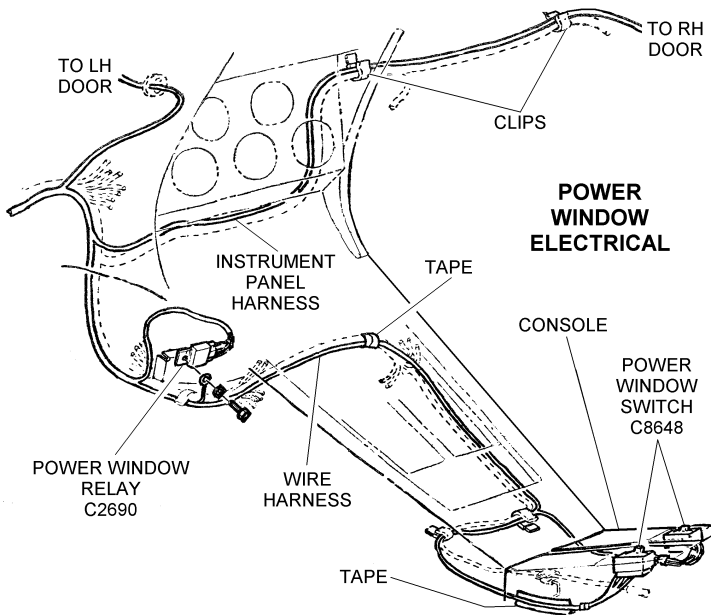
C2624	68-77	BEZEL SET - inside door handle, (pr)	68.95
C2351	68-77	EMBLEM SET - inside door handle, (pr)	8.95
C5929	68-77	HANDLE ASSEMBLY - window crank, black knob, (ea)	9.95

B5986 68-79 HANDLE ASSEMBLY - window crank, clear knob, (ea)9.95



C2630	68	SEAL SET - inner window, (pr)	53.25
C2632	69-82	SEAL SET - inner window, (pr)	46.95

Power Window

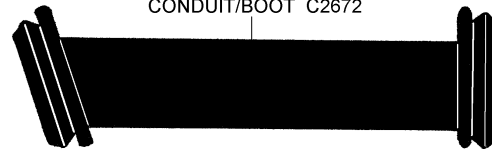


C2643	68-82	BRACKET - power window regulator bracket repair/replacement, LH	15.95
C2612	68-82	BRACKET - power window regulator bracket repair/replacement, RH	15.95

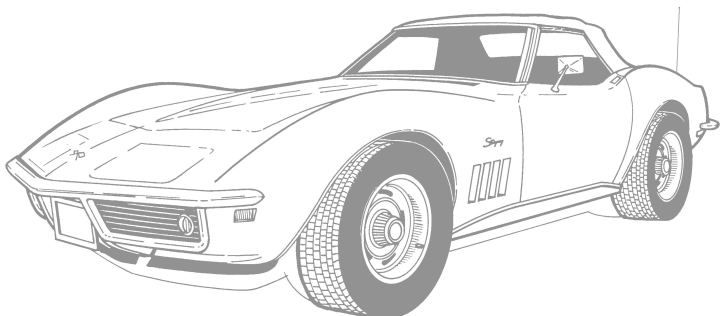
NOTE: Brackets C2612 & C2643 weld to regulator to replace ones that break off.

B2696	68-74	CIRCUIT BREAKER - power windows	26.50
C2580	75-78	CIRCUIT BREAKER - power windows	18.00
C2581	79-82	CIRCUIT BREAKER - power windows, 30 amp	19.50

CONDUIT/BOOT C2672



C2672	68-80E	CONDUIT/BOOT- power window harness through hinge pillar area (ea)	15.10
B4910	68-82	CONNECTOR - power window switch, installs on power window wire harness	16.55



VISIT US ON THE WEB AT
www.ChicagoCorvette.net

68-79 POWER WINDOW CONVERSION KITS

C9780	68	CONVERSION KIT													
C9781	69	CONVERSION KIT													
C9782	70-71	CONVERSION KIT													
C9783	72-74	CONVERSION KIT													
C9784	75	CONVERSION KIT													
C9785	76E	CONVERSION KIT													
C9786	76L	CONVERSION KIT													
C9787	77E	CONVERSION KIT													
C9788	77L	CONVERSION KIT													
C9789	77L-78E	CONVERSION KIT													
C9790	79	CONVERSION KIT													
B2696	68-74	CIRCUIT BREAKER										1	1	1	1
C2580	75-78	CIRCUIT BREAKER							1	1	1	1	1	1	
C2591	79-82	CIRCUIT BREAKER	1												
C2672	68-80E	CONDUIT / BOOT	2	2	2	2	2	2	2	2	2	2	2	2	2
A2615	68-76	GEAR - motor drive, nylon									2	2	2	2	2
C2667	77-82	GEAR - motor drive, nylon	2	2	2	2									
C9907	68	HARNES													1
C9908	69	HARNES													1
C0057	70-71	HARNES													1
C0058	72-74	HARNES													1
C9910	75	HARNES													1
C0081	76E	HARNES											1		
C0089	76L	HARNES												1	
C0059	77E	HARNES												1	
C9911	77L-78E	HARNES												1	
C0037	78L	HARNES													1
C0038	79-80	HARNES - LH													1
C0039	79-80	HARNES - RH													1
A2675	68-77E	MOTOR - power window, LH									1	1	1	1	1
A2677	68-77E	MOTOR - power window, RH									1	1	1	1	1
C2679	77L-82	MOTOR - power window, LH	1	1	1										
C2668	77L-82	MOTOR - power window, RH	1	1	1										
B2075	68-74	MOUNT KIT - circuit breaker													1
C2651	68-82	REGULATOR - window, LH*	1	1	1	1	1	1	1	1	1	1	1	1	1
C2652	68-82	REGULATOR - window, RH*	1	1	1	1	1	1	1	1	1	1	1	1	1
C2690	68-78	RELAY	1	1	1	1	1	1	1	1	1	1	1	1	1
C8648	68-82	SWITCH - console	2	2	2	2	2	2	2	2	2	2	2	2	2
C9780	68	CONVERSION KIT - power windows. see chart for details	554.95												
C9781	69	CONVERSION KIT - power windows. see chart for details	554.95												
C9782	70-71	CONVERSION KIT - power windows. see chart for details	554.95												
C9783	72-74	CONVERSION KIT - power windows. see chart for details	602.25												
C9784	75	CONVERSION KIT - power windows. see chart for details	549.95												
C9785	76E	CONVERSION KIT - power windows. see chart for details	549.95												
C9786	76L	CONVERSION KIT - power windows. see chart for details	549.95												
C9787	77E	CONVERSION KIT - power windows. see chart for details	549.95												
C9788	77E-78E	CONVERSION KIT - power windows. see chart for details	543.95												
C9789	78L	CONVERSION KIT - power windows. see chart for details	534.95												
C9790	79	CONVERSION KIT - power windows. see chart for details	499.95												
C2658	68-82	GEAR - power window regulator / LH or RH	36.10												

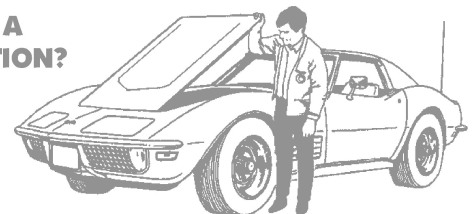
A2640	68-76	GEAR - power window motor head, nylon, w/bushing for regulator	35.95												
A2615	68-76	GEAR - power window motor head, nylon, used	29.95												
C2667	77-82	GEAR - power window motor head, nylon, used	29.95												
C2662	68-82	INSTALLATION SERVICE - power window gear regulator replacement gear on your unit	54.95												
B2657	68-82	MOTOR - power window regulator, LH	94.95												
B2656	68-82	MOTOR - power window regulator, RH	94.95												
A2677	68-82	MOTOR - power window regulator, LH, reman., exchange	79.95												
A2675	68-82	MOTOR - power window regulator, RH, reman., exchange	79.95												
B2075	68-74	NUT & LOCK WASHER SET - power window circuit breaker	225.00												
C2656	68-82	REGULATOR - w/power windows (w/o motor), LH	159.95												
C2657	68-82	REGULATOR - w/power windows (w/o motor), RH	159.95												
C2651	68-82	REGULATOR - w/power windows, restored, w/new gear installed, LH exchange	109.95												
C2652	68-82	REGULATOR - w/power windows, restored, w/new gear installed, RH exchange	109.95												
C2690	68-78	RELAY - power windows	24.95												
C2625	68-82	RIVET/RETAINER-power window regulator, holds assembly together	8.95												
C2611	68-82	SPRING - power window regulator	25.90												
C8648	68-82	SWITCH - power window, (2 req.) (ea)	19.40												

EMBLEMS

C2766	70L-72	DECAL - LT-1 hood, white	15.95												
C2704	68-72	EMBLEM - front	32.75												
C2702	68-72	EMBLEM - front, show quality	44.40												
C2706	73-74	EMBLEM - front	89.60												
C2708	75-76	EMBLEM - front	85.95												
C2714	77,79	EMBLEM - front	119.95												
C2712	78	EMBLEM - front	104.95												
C2710	78	EMBLEM - front / 25TH ANNIVERSARY	91.25												
C2716	80	EMBLEM - front	40.50												
C2718	81	EMBLEM - front	40.50												
C2720	82	EMBLEM - front, except collectors edition	72.95												
C2722	82	EMBLEM - front, collector's edition	96.85												
C2739	68	EMBLEM - gas door, crossed flags, (show quality)	66.65												
C2740	69-73	EMBLEM - gas door, crossed flags, (show quality)	48.00												
C2761	68-73	EMBLEM - gas door, crossed flags, (GM)	53.25												
C2742	75-76	EMBLEM - gas door	83.40												
C2744	77	EMBLEM - gas door	79.95												
C2746	78	EMBLEM - gas door	92.95												
C2748	79	EMBLEM - gas door	106.95												
C2750	80	EMBLEM - gas door	35.05												
C2752	81	EMBLEM - gas door	39.95												
C2754	82	EMBLEM - gas door	96.95												
C2729	82	EMBLEM - gas door, collectors edition	94.95												
B2728	68-72	EMBLEM - hood number '2'	16.50												
B2727	68-72	EMBLEM - hood number '4'	16.50												
C2758	70-72	EMBLEM - hood number '5'	8.65												
B2729	68-72	EMBLEM - hood number '7'	7.80												
B2730	68-69	EMBLEM KIT - hood numbers, '427' (6 pc.)	42.95												
C2749	70-72	EMBLEM KIT - hood numbers, '454' (6 pc.)	42.95												
C2760	73-74	EMBLEM SET - hood, 454, (show quality) (pr)	44.95												
C2764	73-79	EMBLEM SET - hood, L-48, same design as L82, not originally installed on hoods by factory, (pr)	24.95												
C2762	73-79	EMBLEM SET - hood, L-82, NOT ORIGINAL ON 1973-74'S	14.95												
C2734	76E	EMBLEM - rear bumper 'Corvette' shorter plate, 6.25'	85.00												
C2736	76L-79	EMBLEM - rear bumper 'Corvette' longer plate, 8.25'	52.50												
C2738	80-82	EMBLEM - rear bumper 'Corvette' plate	44.95												
C2730	68-73	EMBLEM - rear letter unit, 'Corvette'	97.50												
C2732	74-75	EMBLEM - rear letter unit, 'Corvette'	76.80												
C2700	82	EMBLEM - side fender / 'Cross Fire Injection' - 2 required, each	54.95												
C2726	77-79	EMBLEM - side fender, flags	106.95												
C2728	80	EMBLEM - side fender, L-82	37.95												
C2723	69-73	EMBLEM - side fender 'Stingray'	37.75												
C2724	74-76	EMBLEM - side fender 'Stingray', side fender	55.25												

DO YOU HAVE A TECHNICAL QUESTION?

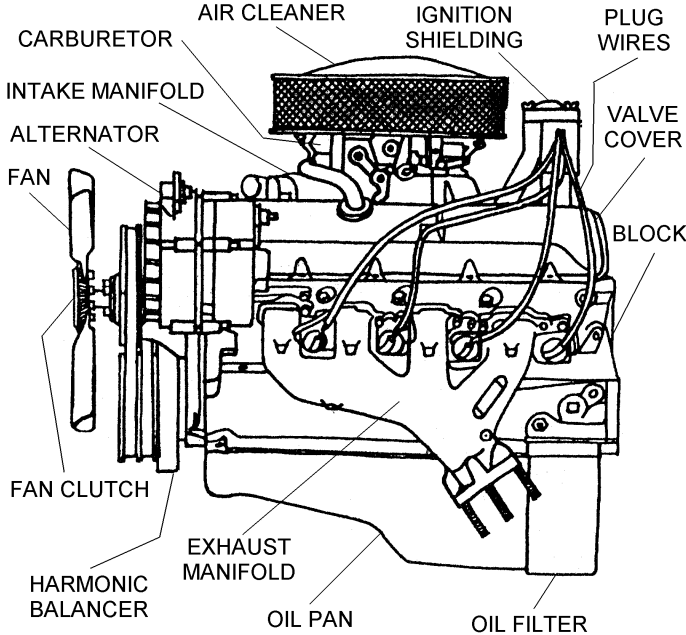
Call our technical department at 708-458-2500 for assistance.



ENGINE ASSEMBLY & COMPONENTS: AIR CLEANERS, ALTERNATORS, BLOCKS, CARBURETORS, DISTRIBUTORS, FUEL PUMPS, HEADS, IGNITION SHIELDING, STARTERS, VALVE COVERS, WATER PUMPS & MORE

Air Cleaners

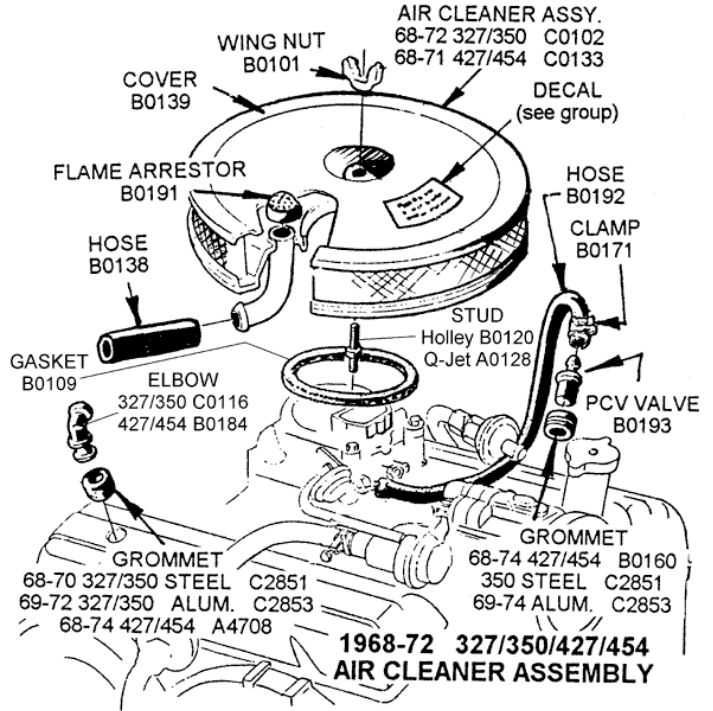
Air Cleaners & Related: 1968-74, 1x4 427/454



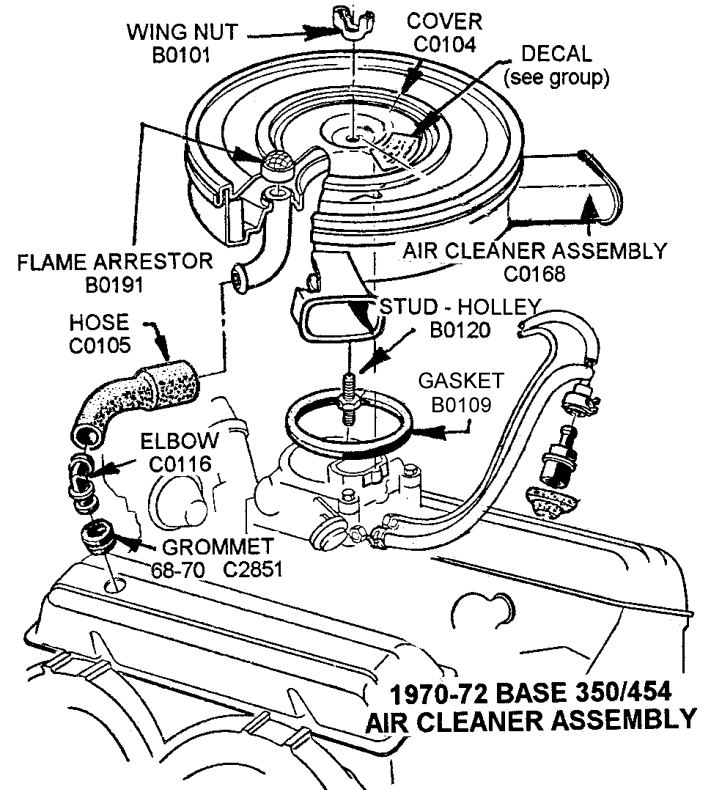
C0133	68-72	AIR CLEANER ASSEMBLY - open type, 68-69, 427 except 3x2, 70 390hp, 71 LS6	199.15
C0151	68-69	AIR CLEANER ASSEMBLY - L88	206.90
C0168	70-72	AIR CLEANER ASSEMBLY - dual snorkel, 350 base engine, includes base/lid/filter	339.95
C0169	70-72	AIR CLEANER ASSEMBLY - dual snorkel, 350 base engine, base & lid, used	245.00
C0172	73-74	AIR CLEANER ASSEMBLY - w/ring, w/454, used	385.00
B0149	68-72	BASE - air cleaner, 70-72 LT1	131.95
C0189	68-72	BASE - dual snorkel air cleaner	209.95
C0107	68-72	BASE - air cleaner, all except LT-1	84.10
B0171	68-69	CLAMP SET - tower style, crankcase vent hose, (2 pc.)	7.85
B0100	68-70	CLAMP SET - PCV hose, (pr)	3.00
B0139	68-72	COVER - air cleaner, open type w/silk screen instructions	85.00
B0177	68-72	COVER - air cleaner, open type w/o instruction	77.50
C0104	70-72	COVER - air cleaner, closed type LT1/LS5	132.25
B0184	68-74	ELBOW - 427/454 90 degree vent tube in RH valve cover	14.85
B0140	68-70	FILTER - air cleaner, current AC product	11.55
C0111	70-74	FILTER - air cleaner, Q-jet carburetor, (paper repl.)	6.60
B0141	68-70E	FILTER - air cleaner, w/correct mesh 1968 427, 1969 350, 70E 350/454 w/Holley, 1968-69 427	60.95
B0161	68-72	FILTER - air cleaner K&N, (open type air cleaner)	54.75
C0113	70-72	FILTER - air cleaner, correct mesh, 1970 late-72, all open AC	33.65
B0130	68-72	FLAME ARRESTOR - air cleaner	29.95
B0109	68-81	GASKET - air cleaner to Holley/Q-Jet carb	3.35
B0160	68-74	GROMMET - PCV, valve cover, LH (ea)	3.25
A4708	68-74	GROMMET - valve cover 1" ID, 68-69 LH, 427 w/3x2, 68-74 RH, valve cover, 427/454 w/o 3x2	5.00
C0118	68	HOSE - L-88	15.70
C0100	68-74	HOSE - crankcase vent tube, 90 degree	16.85
C0136	68-72	HOSE - air cleaner to valve cover, vent tube, 427/454 w/GM logo RH (curved)	13.40
C0119	68-72	HOSE - crankcase valve cover vent elbow to AC, RH	13.15
B2874	68	HOSE - PCV, L88	9.00
B0192	68-70	HOSE - PCV, 427/454 390hp & 69 L88	14.60
B0156	68-69	LID - air cleaner, 427 L88, black	44.85

B0193	68-74	PCV VALVE - CV #736C, RH	8.00
C0109	73-74	PIPE - valve to air cleaner, (454)	12.00
B0157	68-72	SCREEN - air cleaner w/cowl induction hood	16.90
B0158	68-69	SCREEN - air cleaner, in hood, 427/L88	42.60
C0124	68-72	SEAL - air cleaner base to hood, 427/L88	16.85
C0125	73-74	SEAL - air cleaner to hood seal, sponge rubber, open cell, (cut to fit)	69.65
B0159	68-69	SEAL/FOAM - air cleaner, in hood, 427/L88	15.70
C0108	68-74	STUD - air cleaner, Q-Jet carburetor	4.80
B0120	68-72	STUD - air cleaner, Holley carburetor	5.45
B0201	68-72	TUBE - air cleaner vent, welds to AC base, replaces missing one	34.50
C0101	73-74	TUBE - crankcase vent, RH, 454, valve cover to air filter	16.85
B0101	68-74	WING NUT - air cleaner, chrome	2.95

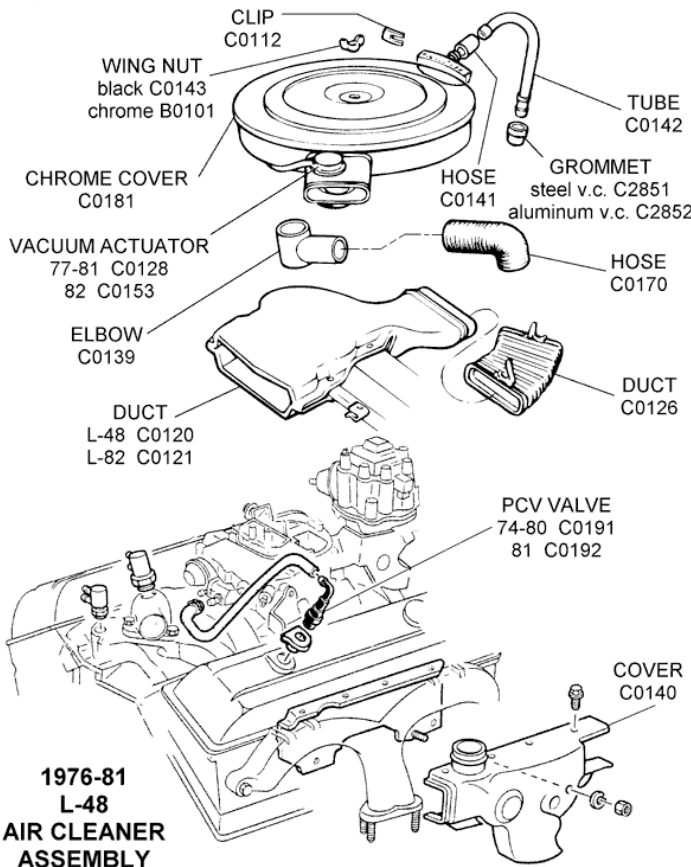
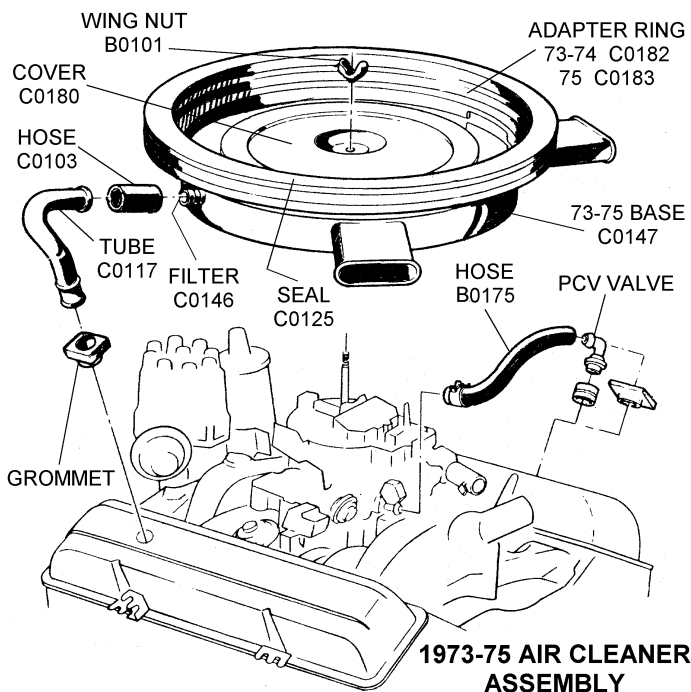
Air Cleaners & Related: 1968-82, 327/350



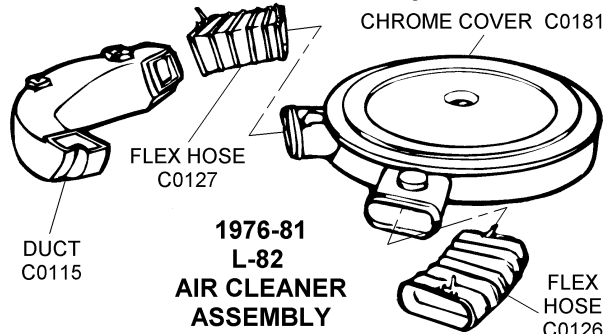
1968-69 327/350 All, 1970E Base 350, 1968-69 427 exc. 3x2 & L88, 1970-72 special hi-perf. w/Holley, 1971 454 LS6 all with open element air cleaner.



1970-72 BASE 350/454 AIR CLEANER ASSEMBLY



C0107	68-72	BASE - air cleaner, all except LT-1	84.10
C0189	68-72	BASE - dual snorkel air cleaner	209.95
C0147	73-74	BASE - air cleaner	228.15
C8768	75	BASE - air cleaner	195.00
B0100	68-70	CLAMP SET - PCV hose, (pr)	3.00
B0171	68-69	CLAMP SET - tower style, crankcase vent hose, (2 pc.)	7.85
C0112	73-82	CLIP - crank case vent filter, 'U' type	2.40
C0130	68-69	CONNECTOR - vent pipe w/327-350 valve cover, RH to AC	12.00
B0177	68-72	COVER - air cleaner, open type w/o instruction	77.50
C0180	73-75	COVER - air cleaner, base engine, (black)	94.50



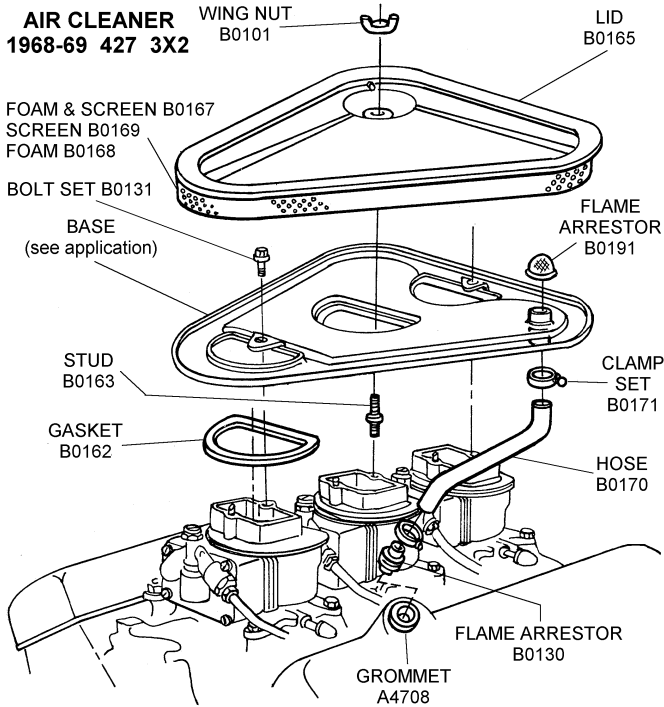
C0181	76-82	COVER - air cleaner, base engine, (chrome)	61.25
B0139	68-72	COVER - air cleaner, open type w/silk screen instructions	85.00
C0104	70-72	COVER - air cleaner, closed type LT1/LS5	132.25
C0140	76-80	COVER SET - carburetor air heat stove, inner & outer/used	54.00
C0115	78-81	DUCT - air intake, side, L82	55.85
C0120	76-81	DUCT - air intake, flex type, air cleaner to core support/front center	33.65
C0121	78-81	DUCT - air intake, flex type, air cleaner to side fender	26.60
C0139	76-81	ELBOW - air cleaner stove pipe	39.95
C0116	68-72	ELBOW - valve cover to AC, 327/350, RH	14.25
B0184	68-74	ELBOW - 427/454 90 degree vent tube in RH valve cover	14.85
B0140	68-70	FILTER - air cleaner, current AC product	11.55
C0110	71-72	FILTER - air cleaner, w/Holley carb	11.00
C0111	70-74	FILTER - air cleaner, Q-jet carburetor, (paper repl.)	6.60
C0114	73-81	FILTER - air cleaner	11.40
B0141	68-70E	FILTER - air cleaner, w/correct mesh 1968 427, 1969 350, 70E 350/454 w/Holley, 1968-69 427	60.95
C0113	70-72	FILTER - air cleaner, correct mesh, 1970 late-72, all open AC	33.65
C0131	82	FILTER - air cleaner, (2 req.) (ea)	10.00
C0150	78-81	FILTER - air cleaner, paper	11.10
C0154	71-74	FILTER - air cleaner, all except 71-72 w/Holley, K&N hi-perf.	45.85
C0155	75-81	FILTER - air cleaner, K&N	57.10
C0156	82	FILTER - air cleaner, K&N	45.85
B0161	68-72	FILTER - air cleaner K&N, (open type air cleaner)	54.75
C0146	73-81	FILTER - crankcase vent, inside air cleaner base	3.60
C0149	82	FILTER - crankcase vent	6.95
B0191	68-72	FLAME ARRESTOR - in air cleaner	8.25
B0109	68-81	GASKET - air cleaner to Holley/Q-Jet carb	3.35
C0152	82	GASKET - air cleaner	8.95
C2850	68-81	GROMMET - valve cover, steel, all 350 (68-70 PVC valve LH, 68-81 vent tube RH)	4.50
C2851	71-81	GROMMET - valve cover, steel, PCV & crankcase vent tube, all 327/350 w/base engine	6.00
A4708	75-82	GROMMET - valve cover, 350 w/aluminum valve cover, LH, w/PCV	5.00
C2853	69-72	GROMMET - valve cover, aluminum (69-74 PCV LH, 69-82 vc vent tube RH)	3.25
C0126	76-81	HOSE/DUCT - air intake to core support duct, flex type, LH, w/oval end	22.10
C0127	78-81	HOSE/DUCT - air intake to side fender duct, flex type, RH, w/square end	16.45
C0170	76-82	HOSE - carburetor pre-heater, aluminum/silver finish, flexible, 1 1/2' dia.	6.00
C0105	68-72	HOSE - air cleaner filter to valve cover hose and crankcase vent tube hose, 327/350	20.25
C0119	68-72	HOSE - crankcase valve cover vent elbow to AC, RH	13.15
C0103	73-75	HOSE - crankcase vent tube to AC w/GM logo	6.65
C0141	73-81	HOSE - crankcase vent tube to air cleaner	3.75
C3605	82	RELAY - air cleaner door	23.95
C0182	73-74	RING - adapter seal, air cleaner, w/350	59.15
C0183	75	RING - adapter seal, air cleaner	59.15
B0157	68-72	SCREEN - air cleaner w/cowl induction hood	16.90
C0124	68-72	SEAL - air cleaner w/cowl induction hood	16.85

C0128	77-81	ACTUATOR - vacuum, air cleaner	69.15
C0153	82	ACTUATOR - vacuum, air cleaner	CALL
C0102	68-72	AIR CLEANER ASSEMBLY - 327/350-open type, 68-69 all 327/350, 70-72 LT-1	179.35
C0168	70-72	AIR CLEANER ASSEMBLY - dual snorkel, 350 base engine, includes base/lid/filter	339.95
C0169	70-72	AIR CLEANER ASSEMBLY - dual snorkel, 350 base engine, base & lid, used	245.00
C0171	73-74	AIR CLEANER ASSEMBLY - w/ring, w/350 engine, used	295.00
C0173	75	AIR CLEANER ASSEMBLY - used	245.00
C0174	76-80	AIR CLEANER ASSEMBLY - L48, single snorkel, used	195.00
C0176	76-80	AIR CLEANER ASSEMBLY - L48, dual snorkel, used	195.00
C0177	81	AIR CLEANER ASSEMBLY - used	225.00
C0129	82	AIR CLEANER ASSEMBLY-throttle body cross fire injection, used	245.00
B0149	68-72	BASE - air cleaner, 70-72 LT1	131.95

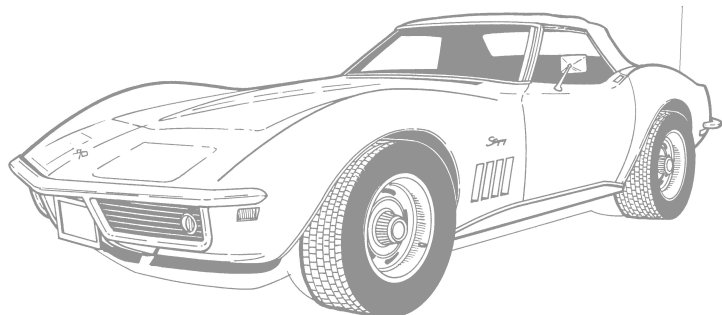
C0125	73-75	SEAL - air cleaner to hood seal, sponge rubber, open cell, (cut to fit)	69.65
B0185	68-82	SERVICE KIT - K&N air filter elements	15.45
B0120	68-72	STUD - air cleaner, Holley carburetor	5.45
C0108	68-74	STUD - air cleaner, Q-Jet carburetor	4.80
C0148	75-81	STUD - air cleaner	3.50
B0201	68-72	TUBE - air cleaner vent, welds into air cleaner base, 427/454	34.50
C0117	73-75	TUBE - crankcase vent, AC to valve cover, 350	19.05
C0142	76-81	TUBE - crankcase vent, air cleaner to valve cover	8.65
B0101	68-82	WING NUT - air cleaner, chrome	2.95
C0143	73-82	WING NUT - air cleaner, black	3.10

Air Cleaners: 1968-69, 427 3x2

**AIR CLEANER
1968-69 427 3X2**

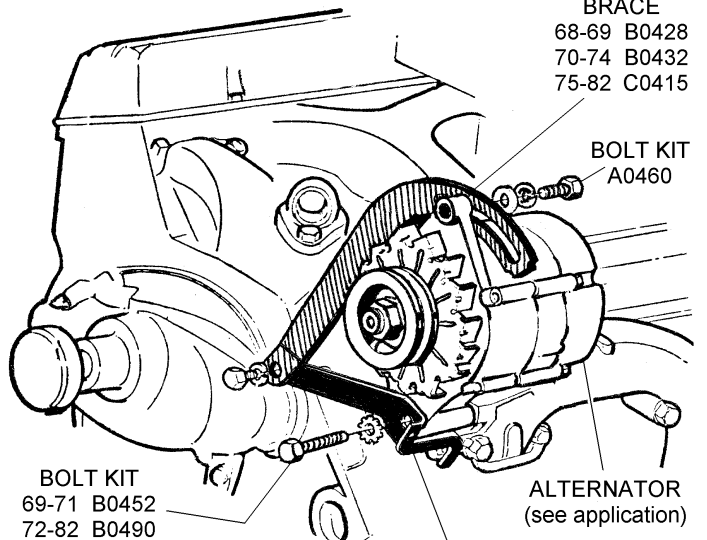


B0164	68-69	AIR CLEANER ASSEMBLY	450.00
B0166	68-69	BASE - 3x2 air cleaner	275.00
B0131	68-69	BOLT SET - air cleaner base to end carburetor, (2 pc.)	2.95
B0171	68-69	CLAMP SET - tower style, crankcase vent hose, (2 pc.)	7.85
B0184	68-69	ELBOW - vent tube in RH valve cover, 427	14.85
B0168	68-69	FILTER - air cleaner, foam	26.35
B0191	68-69	FLAME ARRESTOR - in air cleaner, 3x2, LH	8.25
B0162	68-69	GASKET SET - air cleaner to carburetors, 3x2, (3 pc.)	8.00
B0160	68-69	GROMMET - PCV valve, w/3x2, RH, (ea)	3.25
A4708	68-69	GROMMET - flame arrester	5.00
C0166	68-69	HOSE - 3x2 AC to valve cover LH	17.95
B0173	68-69	HOSE - PCV 427 3x2 RH of intake to RH valve cover, 6'	15.70
B0165	68-69	LID/COVER - air cleaner, w/silk screened instructions	170.00
B0172	68-69	LID/COVER - air cleaner, w/o silk screened instructions	135.00
B0193	68-69	PCV VALVE - #CV 736C, RH	8.00
B0167	68-69	SCREEN & FOAM - air cleaner filter	55.55
B0163	68-69	STUD - air cleaner, 3x2	7.25
B0169	68-69	SCREEN - air cleaner, 3x2, foam filter	30.20
B0201	68-69	TUBE - air cleaner vent, welds into air cleaner base	34.50
B0101	68-69	WING NUT - air cleaner, chrome	2.95



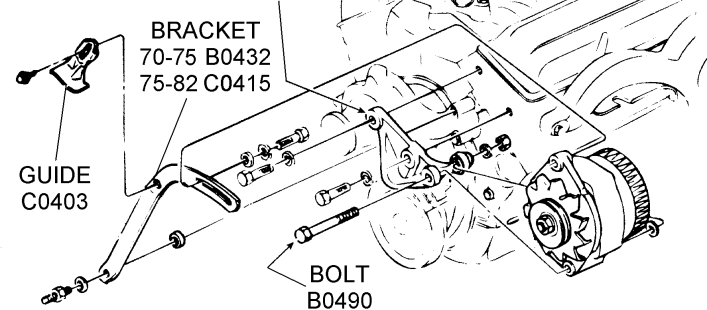
Alternators

Alternator Supports - 327/350



B0428	68-69	BRACE	22.45
B0432	70-74	BRACE	22.45
C0415	75-82	BRACE	20.70
B0452	69-71	BOLT KIT	3.00
B0490	72-82	BOLT KIT	5.45
B0426	68-71	BRACKET	22.00
C0400	72-82	BRACKET	80.85

**1968-82 327/350
ALTERNATOR SUPPORT
1973-81 350**



A0460	68-74	BOLT KIT - adjusting brace, 5/16-18x1 'WB' head mark bolt w/spec. flat & star washer	3.00
B0452	68-71	BOLT KIT - alternator pivot, 'TR' head mark ..	5.45
B0490	72-82	BOLT KIT - alternator pivot, 'TR' head mark ..	5.45
B0428	68-69	BRACE - 327/350 alternator support	22.45
B0432	68-74	BRACE - alternator adjusting w/bolt & washer, all 1968 w/ sp. hi-perf. all 1970-74 w/350	20.70
C0415	75-82	BRACE - alternator, 350	11.20
B0426	68-71	BRACKET - alternator support, 327/350	22.00
C0400	72-82	BRACKET - alternator, 350	80.85
C0403	77-81	GUIDE - alternator belt	9.65

ORDER BY PHONE:

1-800-872-2446



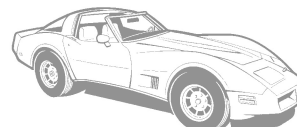
ORDER BY FAX:

708-458-2662



TECHNICAL QUESTIONS:

708-458-2500



CUSTOMER SERVICE:

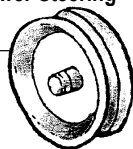
708-458-6577

QUESTIONS ABOUT YOUR ORDER:

708-458-2500

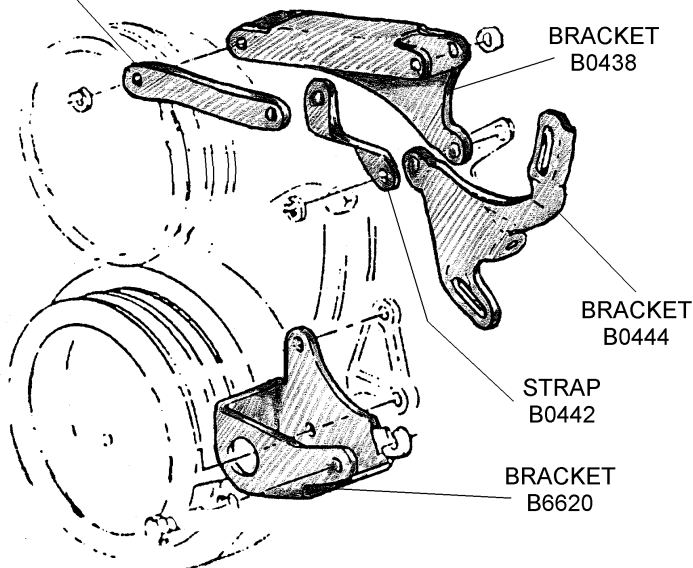
Alternator Supports - 427/454 With Power Steering

PULLEY
(see "Pulleys" under
Engine Group)



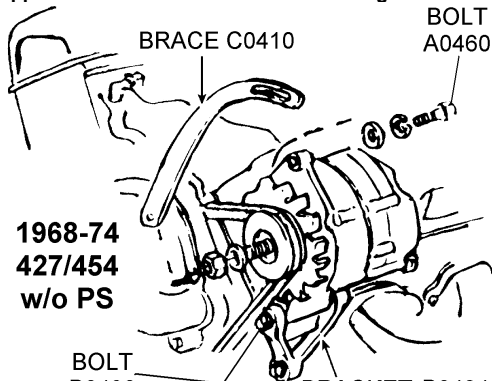
BRACE
B0440

1968-74 ALTERNATOR and
PUMP SUPPORTS - 427/454 with PS



- A0460 68-74 BOLT KIT - alt adjusting brace, 5/16-18x1 'WB' head mark bolt w/spec. flat & star washer 3.00
- B6659 68-74 BOLT & NUT KIT - power steering & alternator mounting, all w/427 & power steering14.80
- B0440 69 BRACE - alternator, upper, 427/45414.60
- B0438 68-74 BRACKET - alternator, 427/45456.25
- B0444 68-74 BRACKET - alternator adjust & P.S. pump mount 427/45483.35
- B0442 68-74 STRAP - alternator, lower w/P.S., 427/45413.00
- B3157 68-74 STUD - exhaust manifold, power steering and alternator mounting & adjusting, 427/4546.00

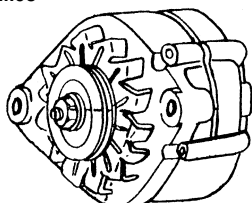
Alternator Supports - 427/454 Without Power Steering



- A0460 68-74 BOLT KIT - alt adjusting brace, 5/16-18x1 'WB' head mark bolt w/special flat washer & star washer3.00
- B0490 68-74 BOLT KIT - alternator pivot, 'TR' head mark5.45
- C0410 68-74 BRACE - alternator adjustment, 427, w/o PS49.95
- B0434 68-74 BRACKET - alternator, 427/454129.95

Alternators, Voltage Regulators & Pulleys

**OVER
4000
ALTERNATORS
IN STOCK!**

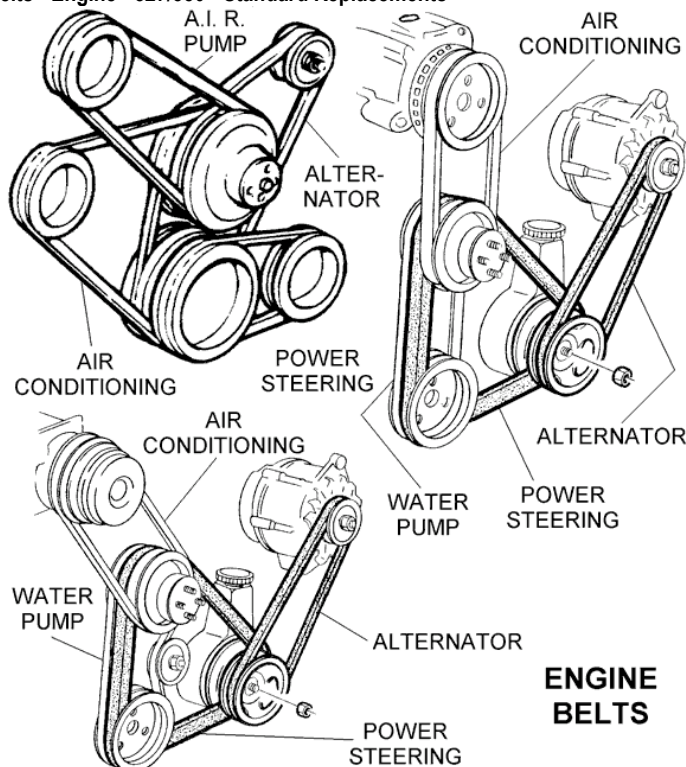


All alternators are re manufactured and original - most dates are available. Over 3000 in stock!

- C0418 68 ALTERNATOR - #1110750 61 amp all w/air conditioning, restored, call for available datesCALL
- B0418 68 ALTERNATOR - 42 amp, w/TT, #1100696, restored, call for dates availableCALL
- C0401 71-73 ALTERNATOR - 42 amp. #1100543CALL
- C0402 71-75 ALTERNATOR - 61 amp. #1100544CALL
- NOTE: Other 1969-82 alternators available! CALL!**
- B0425 69-82 BEARING - alternator rear end5.00
- C0446 69-82 BEARING - alternator, drive end8.65
- B0423 68 BEARING - alternator, drive end8.75
- B7151 68-75 CAPACITOR - on voltage regulator21.10
- C7117 69-82 CAPACITOR - on alternator9.95
- B2867 68 COVER - voltage regulator, NOS, w/correct Delco script29.95
- B2913 68 GASKET - voltage regulator cover4.95
- C0405 69 HOUSING - rear of alternator, w/fins, usedCALL
- C0455 70 HOUSING - rear of alternator, w/fins, used174.95
- B0413 68 CONNECTOR/PLUG - voltage regulator, w/R&F terminals4.00
- C6806 68-74 PULLEY - alternator, all 35041.35
- B6853 68-72 PULLEY - alternator, 1968 350hp, 68-70 427/454 w/AC, 1970 454, 70-72 LT1, 1971 454 exc. AS & P.S., 1972 454 all exc. w/P.S.40.35
- B6810 68 PULLEY - alternator, 1968 427, w/o P.S., 1969 427w/H.D. 1971 454 w/sp. hi perf., w/o P.S.42.65
- B6802 68-71 PULLEY - alternator, 427/454 engine41.50
- B6849 68-72 PULLEY - alternator, 427/454, 1968-71 w/AC & P.S., 1972 all w/P.S.47.25
- B0446 68-82 RESTORATION/REBUILD - ALTERNATOR / includes polished main shaft, new bearing, brushes & diodes, detailed/reconditioned case and testing94.95
- B0499 68 REBUILD KIT - alternator bearings, brushes9.75
- B0439 68 RESTORATION - voltage regulator89.95
- C4097 71-79 REBUILD KIT - alternator, incl. bearings, brushes, diode & voltage regulator18.50
- C0498 80-82 REBUILD KIT - alternator, incl. bearings, brushes, diode, & voltage regulator18.50
- B2911 68 SCREW SET - voltage regulator cover, pr3.50
- B2840 68 VOLTAGE REGULATOR - (Delco replacement)47.45
- B2848 68 VOLTAGE REGULATOR - (generic replacement)21.95
- B0050 68 VOLTAGE REGULATOR - transistorized (put a Delco cover in it & it will look like an original)19.95
- C0450 68 VOLTAGE REGULATOR - restored original #1119515, dated, call for available dates114.95
- C0404 69-82 VOLTAGE REGULATOR - internal, in alternator19.95

Belts

Belts - Engine - 327/350 - Standard Replacements



- B4505 68 BELT - fan & alt, w/AC w/o P.S. 350hp12.00
- B4511 68-69 BELT - fan & air conditioning w/o P.S. 350hp13.65
- B4502 70-74 BELT - air conditioning15.60
- C4506 78 BELT - fan & air conditioning, w/MT14.15

C4507 79	BELT - fan & AC, w/o spec. hi-perf	13.70
C4508 80	BELT - fan & air conditioning, w/L82	14.15
B4517 68	BELT - fan to air pump, w/o AC 300hp	10.65
B4513 68	BELT - fan to air pump, w/o AC 350hp	10.65
C4501 70-72	BELT - air pump, w/hi-perf	10.25
B4514 78-79	BELT - air pump, w/AC	12.75
B4515 81	BELT - air pump	10.10
C4509 82	BELT - air pump	10.10
B4506 70-72	BELT - fan & alternator, w/o AC	15.25
A4503 70-74	BELT - fan & alternator, w/AC	14.95
B4504 75-77	BELT - fan & alternator, w/AC	13.25
C4505 78-79	BELT - fan & alt., w/AC, MT & spec hi-perf ..	11.95
B4503 73-74	BELT - fan & air conditioning, w/hi-perf ..	15.65
C4504 76L-77	BELT - fan & air conditioning	13.55
B4510 68	BELT - fan & power steering, w/o AC 350hp ..	11.45
B4508 68-69	BELT - power steering, w/AC 350hp	12.85
B4516 69	BELT - fan & power steering, w/o AC 350hp ..	10.65
B4518 73-74	BELT - power steering, w/AC	12.95
B4501 70-72	BELT - fan, w/o AC or spec hi-perf	9.75

Belts - Engine - 427/454 - Standard Replacements

A4503 68	BELT - fan & alternator, w/AC, w/o P.S.	14.95
A4502 68-69	BELT - fan & alternator, w/o AC or P.S.	14.95
B4516 68	BELT - fan & power steering, w/AC	10.65
C4502 68	BELT - fan & power steering, w/o AC	16.65
C4510 68	BELT - fan, air conditioning & air pump	10.95
B4515 68	BELT - fan to air pump, w/o AC	10.10
C4511 69	BELT - alternator, w/AC & P.S.	17.25
B4510 69	BELT - air conditioning	11.45
C4509 69	BELT - air pump, w/spec. hi-perf	10.10
C4512 70	BELT - fan & alternator (365hp)	10.95
B4512 70	BELT - fan, alternator & air pump, 425hp	12.25
C4513 70	BELT - power steering	10.00
B4502 70	BELT - air conditioning	15.60
B4504 71-72	BELT - fan & alternator, w/hi-perf w/o AC ..	13.25
B4508 71-72	BELT - power steering, w/AC	12.85
C4515 73-74	BELT - fan, air conditioning & air pump	13.95
C4514 73-74	BELT - fan & power steering, w/AC	10.15
C4597 72	BELT - power steering, 454, all	37.45
C4598 72	BELT - ac, 454, all	37.45

Belts - Engine 1968-72, 327/350 Original Style Reproductions

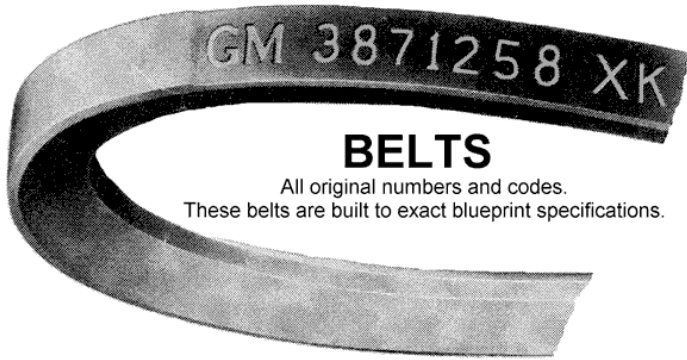
C4536 69	BELT - A.I.R.(smog) pump, 350, all except 350hp w/AC and PS	23.55
C4537 69	BELT - A.I.R.(smog) pump, 350hp, w/AC & PS ..	24.70
C4539 70	BELT - alternator, all 350 except LT1	31.40
C4540 70	BELT - alternator, LT1	32.60
C4541 70	BELT - water pump, 300hp w/o AC	24.70
C4542 70	BELT - water pump, LT1	23.55
C4543 70	BELT - water pump, 350hp w/o PS and/or AC ..	24.70
C4544 70	BELT - power steering, 350, 300hp	24.70
C4545 70	BELT - power steering, 350hp & LT1	26.90
C4546 70	BELT - air conditioning, all 350	40.10
C4547 70	BELT - A.I.R. (smog) pump, LT1	23.55
C9823 71	BELT - alternator, LT1 & 350, w/o AC	30.35
C9824 71	BELT - alternator, 350, w/AC	32.00
C4549 71	BELT - water pump, 350, w/o AC and/or AC	31.40
C4550 71	BELT - power steering, all 350, w/o AC	24.70
C4551 71	BELT - power steering, all 350, w/AC	24.70
C4552 71	BELT - air conditioning, all 350	40.10
C4553 71	BELT - A.I.R. (smog) pump, LT1	23.55
C4554 72	BELT - alternator, all 350, w/o AC	30.30
C4555 72	BELT - alternator, all 350, w/AC	31.40
C4556 72	BELT - water pump, 350, w/o AC and/or PS ..	23.55
C4557 72	BELT - power steering, all 350, w/o AC	26.90
C4558 72	BELT - power steering, all 350, w/AC	24.70
C4559 72	BELT - air conditioning, all 350	40.10
C4560 72	BELT - A.I.R. (smog) pump, all 350	23.55

Belts - Engine 1968-72, 427/454 Original Style Reproductions

Wrapped belts w/GM and part number embossed into back of belt, as original.

C9822 68	BELT - A.I.R. (smog) pump, 427 w/AC	52.95
C4568 68	BELT - A.I.R. (smog) pump, 427 w/o AC	32.00
C4576 69	BELT - A.I.R. (smog) pump, 427 w/o AC	23.55
C4589 71	BELT - A.I.R. (smog) pump, 454	26.75
C9805 72	BELT - A.I.R. (smog) pump, 454, w/o AC	34.95
C9812 72	BELT - A.I.R. (smog) pump, LT1	35.90
C4567 68	BELT - air conditioning, all 427	50.95
C4575 69	BELT - air conditioning, all 427	46.75
C4582 70	BELT - air conditioning, all 454	34.75
C4588 71	BELT - air conditioning, all 454	34.75
C9803 72	BELT - air conditioning, 454, w/o A.I.R.	34.95
C9804 72	BELT - air conditioning, 454, w/A.I.R.	34.95
C9811 72	BELT - air conditioning, all 350	37.00
C9819 72	BELT - air conditioning, all 454	34.95
C4561 68	BELT - alternator, 427 w/o AC & PS	31.40
C4562 68	BELT - alternator, all 427 w/P.S.	23.55
C4563 68	BELT - alternator, 427 w/AC w/o PS	39.25
C4569 69	BELT - alternator, 427 w/o PS	35.90
C9702 79	BELT - air conditioning, L-82 (1st design, early)	23.85
C9704 79	BELT - air conditioning, L-88 (2nd design) ..	23.85
C4570 69	BELT - alternator, all 427 w/PS, w/o A.C.	23.55
C4571 69	BELT - alternator, 427 w/PS. and AC	23.55
C4577 70	BELT - alternator, 454 w/o PS	39.25
C4578 70	BELT - alternator, all 454, w/PS (pump to alternator)	23.55
C9825 71	BELT - alternator, 454 w/o P.S., w/AC	38.95
C4583 71	BELT - alternator, 454 w/o PS	39.25
C4584 71	BELT - alternator, all 454 w/PS (pump to alternator)	23.55
C9815 72	BELT - alternator, 454, all w/PS (pump to alternator)	25.75
C9806 72	BELT - alternator, all 350, w/o AC	34.95
C9807 72	BELT - alternator, all 350, w/AC	34.95
C9813 72	BELT - alternator, 454, w/o P.S., w/o AC ..	35.90
C9814 72	BELT - alternator, 454, w/o P.S., w/AC	33.60
C4566 68	BELT - power steering, all 427	53.45
C4581 70	BELT - power steering, all 454	34.75
C4500 71	BELT - power steering, 454, w/o AC	34.75
C9801 72	BELT - power steering, 454, w/o AC	34.95
C9802 72	BELT - power steering, 454, w/ AC	34.95
C9809 72	BELT - power steering, all 350 w/o AC	34.95
C9810 72	BELT - power steering, all 350 w/AC	34.95
C9818 72	BELT - power steering, all 454	34.95
C4574 69	BELT - steering, all 427	34.75
C4564 68	BELT - water pump, 427 w/o AC	23.55
C4565 68	BELT - water pump/idler, 427 w/AC	24.70
C4572 69	BELT - water pump, 427 w/o AC	28.05
C4573 69	BELT - water pump/idler, 427 w/AC	24.70
C4579 70	BELT - water pump, 454	32.50
C4580 70	BELT - water pump/idler, 454 w/AC	27.25
C4585 71	BELT - water pump, 454	28.10
C4586 71	BELT - water pump/idler, 454 w/AC	28.10
C8001 68L	BELT - water pump 427 w/o AC GM #3889374 ..	CALL
C9817 72	BELT - water pump/idler, 454, w/AC	28.25
C9826 72	BELT - water pump, 454 w/o AC	28.75
C9808 72	BELT - water pump, 350 w/o AC and/or PS.	34.95
C9816 72	BELT - water pump, 454	28.25

Belts - Engine 1968-72, 327/350 Original Style Reproductions



Licensed GM Restoration Parts. Assuring you authenticity and high quality.



Wrapped belts w/GM and part number embossed into back of belt, as original.

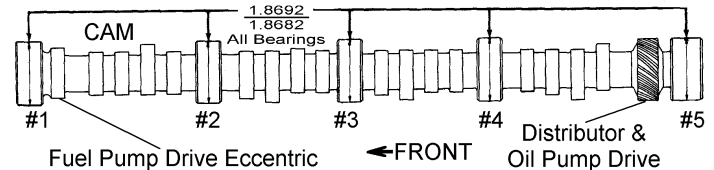
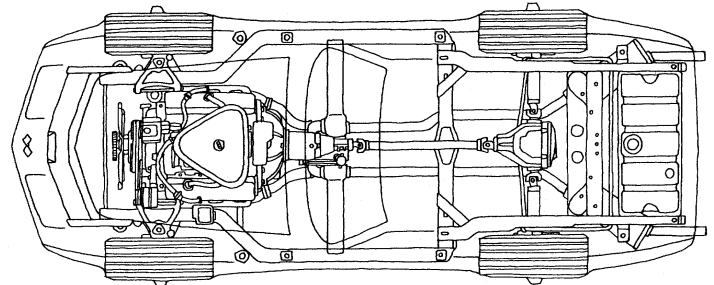
C4502 68	BELT - fan & power steering, w/o AC	16.65
C4503 68E	BELT - water pump, 300hp, w/o AC (>11/68) ..	24.70
C4521 68	BELT - alternator, 327 w/o AC	31.40
C4522 68	BELT - alternator, 327 w/AC	30.30
C4525 68	BELT - power steering, 327 except 350hp w/AC	24.70
C4526 68	BELT - power steering, 350hp w/AC	26.90
C4527 68	BELT - air conditioning, all 327	41.50
C4528 68	BELT - A.I.R. (smog) pump, all except 350hp w/AC and P/S	23.55
C4529 68	BELT - A.I.R. (smog) pump, 350hp w/AC & PS ..	24.70
C9820 68L	BELT - water pump, 300hp, w/o AC or P.S. (<11/67)	25.75
C9821 68L	BELT - water pump, 300hp, w/o AC or P.S. (>11/67)	25.75
C4530 69	BELT - alternator, all 350	31.40
C4531 69	BELT - water pump, 300hp w/o AC	24.70
C4532 69	BELT - water pump, 350hp w/o PS and/or AC ..	23.55
C4533 69	BELT - power steering, 350 except 350hp w/o AC	24.70
C4534 69	BELT - power steering, 350hp w/o AC	26.90
C4535 69	BELT - air conditioning, all 350	41.50

1973-82 Original Style Reproduction Belts These licensed belts are now available and feature cut edge construction with GM: part number, size, manufacturer's logo and codes. Belts are dated by the calendar quarter. Specify date desired when ordering.

C9827 73	BELT - alternator, all 350, w/o AC	24.75
C9828 73	BELT - alternator, all 350, w/ AC	23.85
C9829 73	BELT - water pump, 350, w/o AC and/or power steering	23.85
C9830 73	BELT - power steering, 350, w/o AC	23.85
C9831 73	BELT - power steering, 350, w/AC	24.70
C9832 73	BELT - air conditioning, all 350	24.70
C9833 73	BELT - A.I.R. (smog) pump, all 350	23.85
C9834 73	BELT - alternator, 454, w/o power steering	23.85
C9835 73	BELT - alternator, 454, w/power steering, w/o AC	23.85
C9836 73	BELT - alternator, 454, w/power steering, w/ AC	23.85
C9837 73	BELT - water pump, 454, w/o AC	23.85
C9838 73	BELT - water pump, 454, w/ AC	23.85
C9839 73	BELT - power steering, 454	23.85
C9840 73	BELT - A.I.R. (smog) pump, 454, w/o AC	23.85
C9841 73	BELT - air conditioning/A.I.R., 454, w/A.I.R.	23.85
C9842 74	BELT - alternator, all 350, w/o AC	23.85
C9843 74	BELT - alternator, all 350, w/ AC	24.95
C9844 74	BELT - water pump, 350, w/o AC and/or power steering	23.85
C9845 74	BELT - power steering, 350, w/o AC	23.85
C9846 74	BELT - power steering, 350, w/ AC	24.95
C9847 74	BELT - air conditioning, all 350	24.95
C9848 74	BELT - A.I.R. (smog) pump, 350, w/o AC	24.95
C9849 74	BELT - A.I.R. (smog) pump, 350, w/ AC	24.95
C9851 74	BELT - alternator, 454, w/o power steering	23.85
C9852 74	BELT - alternator, 454, w/power steering	23.85
C9853 74	BELT - alternator, 454, w/power steering, w/ AC	23.85
C9854 74	BELT - water pump, 454, w/o AC	23.85
C9855 74	BELT - water pump, 454, w/ AC	23.85
C9856 74	BELT - power steering, 454, w/o AC	23.85
C9857 74	BELT - power steering, 454, w/ AC	23.85
C9858 74	BELT - A.I.R. (smog) pump, 454, w/o AC	23.85
C9859 74	BELT - air conditioning/A.I.R., 454, w/A.I.R.	23.85
C9860 75	BELT - alternator, w/o AC	23.85
C9861 75	BELT - alternator, w/ AC	23.85
C9862 75	BELT - water pump, w/o AC	23.85
C9863 75	BELT - power steering	27.25
C9864 75	BELT - air conditioning	27.25
C9865 75	BELT - A.I.R. (smog) pump, w/o AC	23.85
C9866 75	BELT - A.I.R. (smog) pump, w/ AC	27.25
C9867 76	BELT - alternator, w/o AC	23.85
C9868 76	BELT - alternator w/ AC	23.85
C9869 76	BELT - water pump, w/o AC	23.85
C9870 76	BELT - power steering	23.85
C9871 76	BELT - air conditioning, 1st design (<3/76)	23.85
C9872 76	BELT - air conditioning, 2nd design (>=3/76)	23.85
C9873 76	BELT - A.I.R. (smog) pump, w/o AC	23.85
C9874 76	BELT - A.I.R. (smog) pump, w/ AC	23.85
C9875 77	BELT - alternator, w/o AC (<1/77)	23.85
C9877 77	BELT - alternator, w/AC (<1/77)	23.85
C9876 77	BELT - alternator, w/o AC (>=1/77)	23.85
C9878 77	BELT - alternator, w/AC (>=1/77)	24.85
C9879 77	BELT - water pump, w/o AC	23.85
C9880 77	BELT - power steering	24.85
C9881 77	BELT - air conditioning, 1st design (<9/76)	23.85
C9882 77	BELT - air conditioning, 2nd design (>=9/76)	24.85
C9883 77	BELT - A.I.R. (smog) pump, w/o AC	23.85
C9884 77	BELT - A.I.R. (smog) pump, w/AC	23.85
C9885 78	BELT - alternator, w/o AC	23.85
C9886 78	BELT - alternator, L-88 w/AC, L-82 w/AC & AT	23.85
C9887 78	BELT - alternator, L-82 w/AC & AT	23.85
C9888 78	BELT - water pump	23.85
C9889 78	BELT - power steering	26.90
C9890 78	BELT - air conditioning, L-48 w/MT, L-82 w/AT, L-48 w/AT w/Calif. or hi-altitude	23.85
C9891 78	BELT - air conditioning, L-48 w/AT (exc. California or hi-altitude, L-82 w/MT	24.85
C9892 78	BELT - A.I.R. (smog) pump, L-48 w/o AC w/Calif. or hi-altitude, L-82 w/o AC, L-82 w/MT & AC	23.85
C9893 78	BELT - A.I.R. (smog) pump, L-48 w/AC, w/Calif. or hi-altitude, L-82 w/AT & AC	23.85
C9894 79	BELT - alternator, w/o AC	23.85
C9895 79	BELT - alternator, L-48 w/AC	23.85
C9896 79	BELT - alternator, L-82 w/AC	23.85
C9897 79	BELT - alternator, L-48 w/70 amp alternator (2nd design)	23.85
C9898 79	BELT - alternator, L-82 w/70 amp alternator (2nd design)	23.85
C9899 79	BELT - water pump, w/o AC	23.85
C9700 79	BELT - power steering	23.85
C9701 79	BELT - air conditioning, L-48 (1st design, early)	23.85
C9703 79	BELT - air conditioning, L-48 (2nd design)	23.85

C9705 79	BELT - A.I.R. (smog) pump, L-48 w/o AC	23.85
C9706 79	BELT - A.I.R. (smog) pump, L-48 w/ AC, all L-82	23.85
C4523 80	BELT - alternator, w/L82	23.85
C4524 80	BELT - alternator, L48/LG4, w/o 70 amp alternator	23.85
C4538 80	BELT - alternator, L48/LG4, w/70 amp alternator	23.85
C4548 80	BELT - power steering	23.85
C4587 80	BELT - air conditioning, w/L48/LG4	23.85
C4590 80	BELT - air conditioning, L82	23.85
C4591 80	BELT - A.I.R. (smog) pump, w/manual transmission	23.85
C4592 80	BELT - A.I.R. (smog) pump, w/automatic transmission	23.85
C4593 81	BELT - alternator, w/o 70 amp alternator	23.85
C4594 81	BELT - alternator, w/70 amp alternator	24.70
C4595 81	BELT - power steering	24.70
C4596 81	BELT - air conditioning	24.70
C4599 81	BELT - A.I.R. (smog) pump	24.70
C4497 82	BELT - A.I.R. (smog) pump	24.70
C4609 82	BELT - alternator, w/o 70 amp alternator	23.85
C4611 82	BELT - alternator, w/70 amp alternator	24.70
C4495 82	BELT - power steering	24.70
B4496 82	BELT - air conditioning	33.65

**Blocks & Related
Blocks & Engine Rebuilding Components - 327/350**

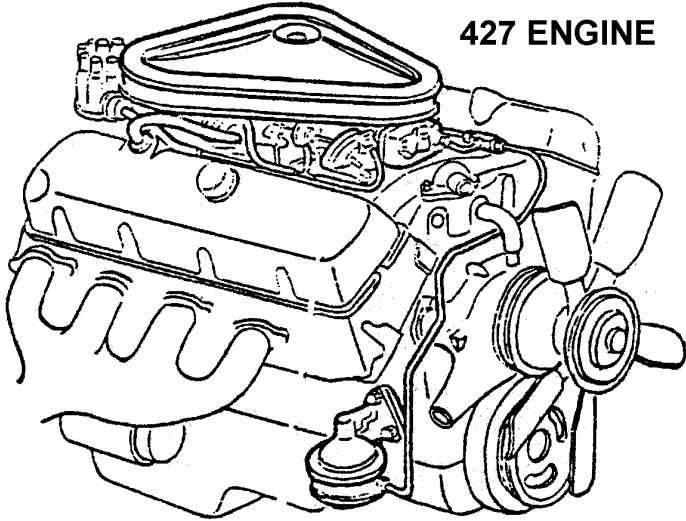


B2873 68	CAM - 327/350hp, GM #3863151	137.95
B2876 68-82	CHAIN & GEAR SET - engine timing, 327/350	24.95
G5008 68-82	CLEANER - engine	6.05
A2887 68-82	DOWEL PIN SET - timing chain cover, installs in block (2 pc)	3.65
G5102	DRESSING - belt, Permatex, extends belt life, 16 oz. can	3.95
A2328 68-82	FEELER GAUGE - for setting valves	6.00
G5101	FORM-A-GASKET - Permatex no. 2 sealant, non-hardening sealant for use w/cut gaskets, 1.5 oz. tube	4.10
G5100	FORM-A-GASKET - Permatex no.1 sealant, hard setting sealant for rigid materials and flanges, 1.5 oz. tube	4.10
A2897 68-82	FREEZE PLUG SET - 8 pc	7.50
A2835 68-74	GASKET KIT - engine, complete	61.95
G5107	GREASE - white lithium, Permatex, all purpose, anti-moisture lube 16 oz. aerosol can	5.95
A2821 68-82	LIFTER SET - solid, 16 pc set	129.95
A2815 68-82	LIFTER SET - hydraulic, 16 pc set	129.95
G5108	LUBRICANT - anti-seize, Permatex, use during assembly to prevent corrosion seizing, 1 oz. tube	3.60
A2847 68-82	PICK UP & SCREEN - oil (in oil pan)	29.00
A2898 68-82	PUMP - oil, standard	35.85
A2801 68-82	PUMP - oil, hi output	45.45
A2817 68-82	PUSH ROD - (16 req.) (ea)	4.35
A2819 68-82	ROCKER ARM - w/ball & nut, (16 req.) (ea)	5.05
A2820 68-82	ROD - oil pump drive	14.00
G5105	SEALANT - thread, Permatex, seals and resists pressure in fittings, general purpose, 1 oz. tube	4.60
G5106	SEALANT - blue RTV, Permatex, makes reliable formed-in-place gaskets, 3 oz. tube	4.60
G5104	SILICONE - hi-temp RTV, Permatex, sensor safe RTV gasket, 3 oz. tube	5.40
A2826 68-82	SPRING SET - valves in heads, 327, (16 pc.)	60.90
B2860 68-74	STUD/BOLT - oil pan baffle, 427/454	10.60
C8633 71-73	SWITCH - thermal, in RH head	22.75
G5109	TEFLON TAPE - Loctite PST, liquid, lubes, locks & seals pipe threads, temp. to 400 degrees, 50 ml. tube	10.50

- G5110 THREADLOCKER - Loctite 271, red, high strength for bolts & nuts up to 1', 6 mi. tube 6.40
- G5111 THREADLOCKER - Loctite 242, blue, medium strength for bolts & nuts up to 3/4', 6 mi. tube5.65

Blocks & Engine Rebuilding Components - 427/454

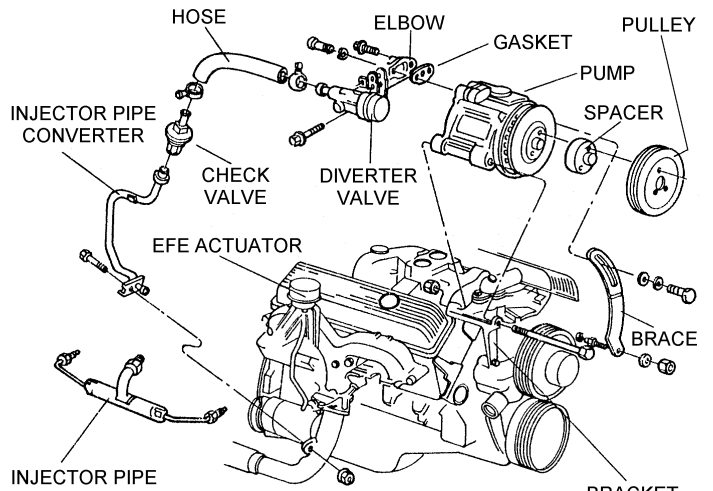
427 ENGINE



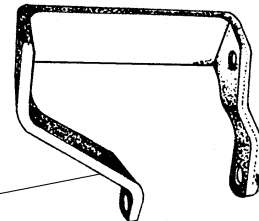
- B6504 68-74 BAFFLE - oil pan, 427/45412.85
- C2875 68-74 BRACKET KIT - engine pull, 427/454, (pr)22.45
- B2994 68-74 CHAIN & GEAR SET - engine timing38.95
- G5102 DRESSING - belt, Permatex, extends belt life, 16 oz. can3.95
- G5101 FORM-A-GASKET - Permatex no. 2 sealant, non-hardening sealant for use w/cut gaskets, 1.5 oz. tube4.10
- G5100 FORM-A-GASKET - Permatex no.1 sealant, hard setting sealant for rigid materials and flanges, 1.5 oz. tube4.10
- B2878 68-74 FREEZE PLUG SET - (8 pc.)7.50
- B2879 68-74 GASKET SET - engine, 427/45479.95
- G5107 GREASE - white lithium, Permatex, all purpose, anti-moisture lube 16 oz. aerosol can 5.95
- A2815 68-74 LIFTER - hydraulic (16 req., ea)129.95
- A2821 68-74 LIFTER SET - solid, 425/435hp, (16 pc.)129.95
- B2881 68-74 PUMP - oil, 427/454, hi-pressure52.00
- B2885 68-74 PUSH ROD - long, exhaust valve, (8 req.) (ea)49.95
- B2992 68-74 ROCKER ARM - engine kit, w/balls & nuts, (24 pc.)79.95
- G5105 SEALANT - thread, Permatex, seals and resists pressure in fittings, general purpose, 1 oz. tube4.60
- G5106 SEALANT - blue RTV, Permatex, makes reliable formed-in-place gaskets, 3 oz. tube . 4.60
- G5104 SILICONE - hi-temp RTV, Permatex, sensor safe RTV gasket, 3 oz. tube5.40
- B2868 68-74 SPRING KIT - valves, 427/454, w/special hi-perf., (16 pc.)137.85
- B2993 68-74 STUD - rocker arm, in head2.50
- B2860 68-74 STUD/BOLT - engine main cap retaining w/windage tray (68-69 & 72-74)10.60
- G5109 TEFLON TAPE - Loctite PST, liquid, lubes, locks & seals pipe threads, temp. to 400 degrees, 50 ml. tube10.50
- G5110 THREADLOCKER - Loctite 271, red, high strength for bolts & nuts up to 1', 6 mi. tube 6.40
- G5111 THREADLOCKER - Loctite 242, blue, medium strength for bolts & nuts up to 3/4', 6 mi. tube5.65

Crank Case Breather & Related

- C4516 70-81 BREATHER - crank case2.40
- C4517 82 BREATHER - crank case3.65
- C4519 75-82 FILTER/PAD - vapor canister5.15



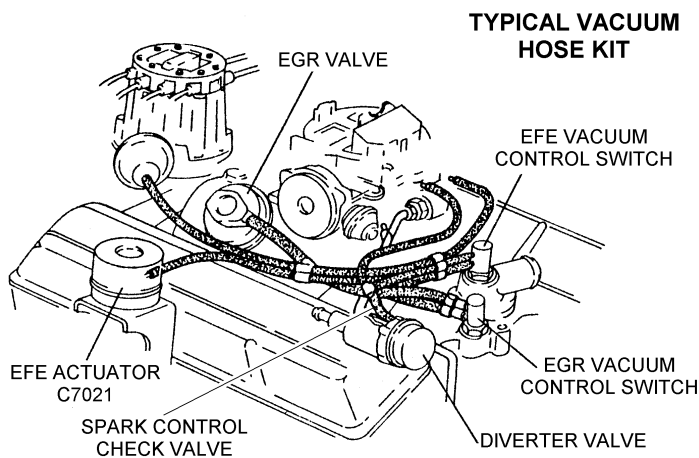
- C7021 75-79 ACTUATOR - EFE w/rod to heat riser55.45
- C7022 80-81 ACTUATOR - EFE, w/valve100.90
- C3196 78-79 ACTUATOR - w/bracket & rod, heat riser, (used)49.95
- C7064 68-74 BRACE - A.I.R. pump adjusting, w/427/45456.00
- C3100 68-79 BRACE - pump, 327/35043.15
- C6914 68-74 BRACE - smog pump, 327/350, original49.00
- C6917 68-74 BRACE - smog pump, 427/454, long slot, reproduction, original GM #392190349.95
- C6918 68-74 BRACE - smog pump, 427/454, short slot, original GM #395522143.75



- C2860 68-74 BRACKET - air pump, 427/45469.95
- B3154 68-79 BRACKET - A.I.R. pump, reconditioned original74.00
- C6915 69 BRACKET - diverter valve adapter, 427/400-435hp89.95
- C6916 68 BRACKET - diverter valve mounting, 327CALL
- C3102 80-82 BRACKET - A.I.R. pump299.95
- C3180 68-74 CHECK VALVE - A.I.R. w/correct GM number, as original, yellow zinc di-chromate finish, (2 req.) (ea)54.50
- C7004 75-76 CHECK VALVE - converter pipe22.50
- C0140 76-80 COVER SET- heat stove, exhaust manifold, inner & outer/used54.00
- C7016 69-75 ELBOW - diverter valve, 35089.95
- C7042 78-81 EXTENSION TUBE - injector pipe in exhaust manifold, 78 w/Calif. & 80-81, (8 req.) (ea) . 3.00
- C7043 79 EXTENSION TUBE - injector pipe in exhaust manifold, (ea)6.25
- B3159 66-74 EXTENSION TUBE - injector pipe in exhaust manifold, 427/454 (8 req.) (ea)12.95
- B3161 68-78 EXTENSION TUBE - injection pipe in exhaust man., (8 req.) (pr.)21.80
- C7063 69-81 FILTER & DRAIN CAP - gas vapor canister19.95
- C7031 73-74 GASKET - EGR valve, 4542.00
- C7032 75-82 GASKET - EGR valve, except Calif.4.40
- C7019 69-79 GASKET - diverter valve (2 req. per car)5.80
- C7067 68-79 HOSE KIT - smog pump, 68 427, 69 300-350-390 & L-88, 70-72 LT-1 & ZR-1, 71 LS-6 & ZR-2, 72 454, 73-74 190-195 & 250, 77-79 L-82 & L-48 Calif. or hi-alt, (pr)39.75
- C7068 69 HOSE KIT - smog pump, 427 3X2, (pr)38.00

VISIT US ON THE WEB AT
www.ChicagoCorvette.net

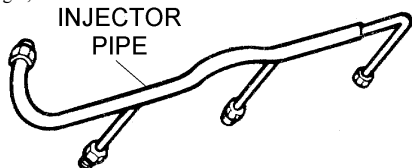
CHICAGO CORVETTE
 We're your 1-Stop-Shop for 1953-82
 Corvette parts and accessories!



1968-69 Vacuum Hose Kits feature all correct hose & connectors to properly connect the following components as required: carb. choke vacuum control, distrib. vacuum advance control, smog pump diverter valve, EGR valve & fitting, spark controls, carb. idle control, air cleaner vacuum diaphragm, clean air and choke tubes.

C7071	68-69	HOSE KIT - vacuum, 3X2	13.25
C7072	68-69	HOSE KIT - vacuum, 1X4	6.75
C7073	70	HOSE KIT - vacuum, 300/350hp	12.60
C7074	70	HOSE KIT - vacuum, 390hp	11.00
C7075	70	HOSE KIT - vacuum, LT-1	17.15
C7077	71	HOSE KIT - vacuum, 270hp	7.75
C7078	71	HOSE KIT - vacuum, 365hp	7.75
C7079	71	HOSE KIT - vacuum, 425hp	12.95
C7076	71	HOSE KIT - vacuum, LT-1	12.95
C7080	72	HOSE KIT - vacuum, 200hp	6.75
C7082	72	HOSE KIT - vacuum, 270hp	12.95
C7081	72	HOSE KIT - vacuum, LT-1	17.15
C7083	73	HOSE KIT - vacuum, 350 w/standard trans	12.95
C7084	73	HOSE KIT - vacuum, 350 w/auto trans	18.40
C7085	73	HOSE KIT - vacuum, 454 w/standard trans	14.10
C7086	73	HOSE KIT - vacuum, 454 w/auto trans	21.10
C7087	74	HOSE KIT - vacuum, L48 w/standard trans	15.30
C7088	74	HOSE KIT - vacuum, L48 w/auto trans	16.80
C7090	74	HOSE KIT - vacuum, L82 w/auto trans	15.30
C7089	74	HOSE KIT - vacuum, L82 w/standard trans	14.10
C7091	74	HOSE KIT - vacuum, 454 w/standard trans	15.30
C7092	74	HOSE KIT - vacuum, 454 w/auto trans	19.10
C7093	75	HOSE KIT - vacuum	21.25
C7094	76	HOSE KIT - vacuum, L48 except Calif.	23.00
C7095	76	HOSE KIT - vacuum, L82 & L48 NB2	26.50
C7096	77	HOSE KIT - vacuum, L48 except Calif.	22.75
C7097	77	HOSE KIT - vacuum, L82 & L48 NB2 or NA6	26.75
C7098	78	HOSE KIT - vacuum, L48 except Calif.	26.00
C7099	78	HOSE KIT - vacuum, L48 NA6	33.00
C7512	78	HOSE KIT - vacuum, L82 & L48 NB2	33.65
C7530	79	HOSE KIT - vacuum, L48 except Calif.	8.00
C7502	79	HOSE KIT - vacuum, L48 NA6	34.00
C7531	79	HOSE KIT - vacuum, L82 & L48 NB2	35.20

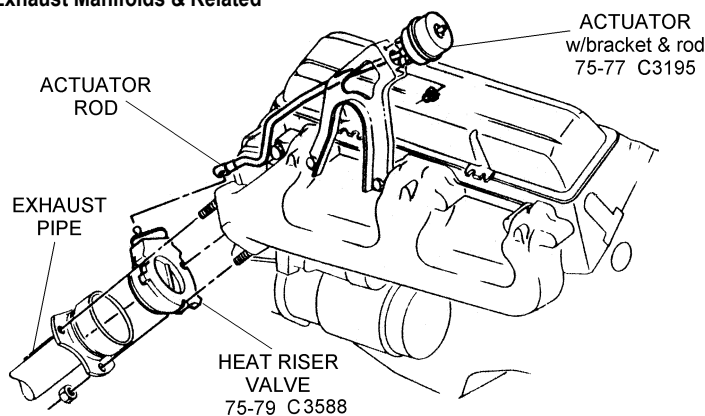
NOTE: 1968-79 Vacuum Hose Kits feature all correct color hoses and connectors to properly connect the following components, as required: distributor vacuum advance control, carburetor choke vacuum control, smog pump diverter valve, EGR valve and switch, EFE valve and fitting, spark controls, carburetor idle control, air cleaner vacuum diaphragm, clean air and choke tubes.



C7003	82	PIPE - converter injector	42.50
C7033	75-79	PIPE - heat riser, exhaust to manifold	37.40
C7049	69-79	PULLEY - A.I.R. pump	25.85
C7050	80-82	PULLEY - A.I.R. pump	20.25
C7052	68-71	PUMP - smog, rebuilt, w/exchange	99.00
C7053	72-78	PUMP - smog, rebuilt, w/exchange	152.95
C7055	79	PUMP - smog, new	230.00
C7056	80	PUMP - smog, rebuilt, L48, w/exchange	155.00
C7058	80	PUMP - smog, rebuilt, L82, w/exchange	99.00
C7060	81-82	PUMP - smog, rebuilt, w/exchange	99.00
C4741	68-82	PUMP - smog, restoration	103.45
C6905	71-72	RELAY - carburetor idle/anti-dieseling blocking, all w/AC, GM #3996204, NOS	54.95
C6913	71-72	RELAY - carburetor idle/anti-dieseling blocking, all w/AC, GM #3996204, replacement, NOS	54.95
C6906	72	RELAY / SWITCH - transmission spark control, controls vacuum advance delay, GM #3996297, NOS	34.95

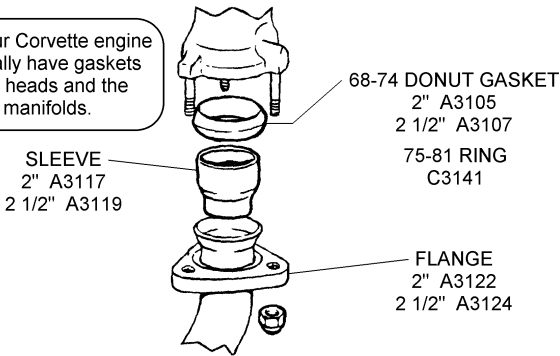
C6907	72-73	RELAY / SWITCH - transmission spark control, controls spark delay, GM #6270698, NOS	34.95
C7047	80-81	SENSOR - oxygen	46.35
C7048	82	SENSOR - oxygen	54.35
B7010	68-69	SPACER - A.I.R. pump, 327/350, w/o AC	8.60
C6910	70-71	SWITCH - transmission spark control, GM #3961567, NOS	34.95
C6909	72-74	SWITCH - transmission spark control, GM #3996286, NOS	34.95
C7025	75-78	SWITCH - EFE vacuum, thermostat housing	25.20
C7026	80-81	SWITCH - EFE vacuum, thermostat housing	16.35
C7027	74	SWITCH - EGR TVS vacuum mounts on, intake	19.45
C7028	75	SWITCH - EGR TVS vacuum mounts on, intake	19.85
C7029	76-77	SWITCH - EGR TVS vacuum mounts on, intake	22.75
C7030	78-80	SWITCH - EGR TVS vacuum mounts on, intake	24.10
C7001	79	SWITCH - EFE TVS control on thermostat housing	17.50
C6900	68-71	TUBE ASSEMBLY (PIPES) - A.I.R., exhaust manifold (black), 427/454, LH	85.00
C6901	68-71	TUBE ASSEMBLY (PIPES) - A.I.R., exhaust manifold (black), 427/454, RH	85.00
C6902	68-71	TUBE ASSEMBLY (PIPES) KIT - A.I.R., exhaust manifold (black), 427/454, LH & RH, (pr)	158.00
B7002	68-76	TUBE ASSEMBLY (PIPES) - A.I.R., air injector, exhaust manifold, 327, 350 RH	40.65
C7035	72-74	TUBE ASSEMBLY (PIPES) - A.I.R., air injector, mounts to exhaust manifold, 454, LH	90.55
C6903	72-74	TUBE ASSEMBLY (PIPES) - A.I.R., air injector, mounts to exhaust manifold, 454, RH	90.55
C6904	72-74	TUBE ASSEMBLY KIT - A.I.R., air injector mounts to exhaust manifolds, 454, (pr)	160.00
B7001	75-76	TUBE ASSEMBLY (PIPES) - A.I.R., air injector, exhaust manifold, 327, 350 LH	103.45
C7037	77-80	TUBE ASSEMBLY (PIPES) - A.I.R., air injector, mounts to exhaust manifold, RH	129.40
C7038	78-79	TUBE ASSEMBLY (PIPES) - A.I.R., air injector, w/Calif. or hi-altitude	61.60
C7010	76	VALVE - diverter	49.00
C7011	77-78	VALVE - diverter	46.15
C7044	76	VALVE - injector, air check	24.00
C7045	77-80	VALVE - injector, air check	30.00
C7046	81-82	VALVE - injector, air check	25.50
C6998	79	VALVE - check, spark control, L-48	9.50
C7070	75-80	VALVE - vacuum check, spark control valve to vapor canister, 2 port	4.00
C7000	80	VALVE - vacuum check, spark control, black & green, 2 port	8.15

**Exhaust Manifolds
Exhaust Manifolds & Related**



C3195	75-77	ACTUATOR - heat riser, w/bracket & rod, reconditioned	69.00
B3101	68-76	BOLT/STUD KIT - exhaust manifold 327/350 w/AC, double circle head mark (12 pc)	21.75
A3120	68-79	BOLT SET - 327/350 exhaust manifolds, w/o AC, double circle HM (12 pc.)	19.25
B3133	68-74	BOLT & STUD KIT - 427/454 w/air w/o P.S. double circle head mark	28.25
B3134	68-74	BOLT & STUD KIT - 427/454 w/AC & P.S. double circle hm, (16 pc.)	29.00
B3132	68-74	BOLT KIT - 427/454 w/P.S. w/o AC double circle head mark	22.75
C3118	68-79	BOLT KIT - 327/350 exhaust manifold repl, (12 pc.)	12.00
B3148	68-74	BOLT KIT - 427/454 exhaust manifold double circle head mark, (14 pc.) w/o P.S. or AC	20.00
G5113	68-82	CEMENT - muffler, 6 oz.	4.05

Remember your Corvette engine did not originally have gaskets between the heads and the exhaust manifolds.

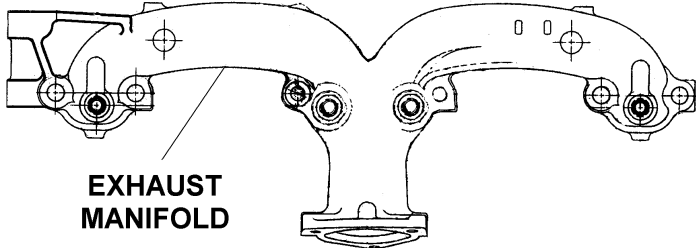


- A3105 68-74 DONUT/SEAL - 2' exhaust manifold to pipe3.00
- A3107 68-74 DONUT/SEAL - 2.5' exhaust manifold to pipe ...3.45



CALYX MANIFOLD DRESSING G0003

- G0003 68-82 DRESSING - Calyx manifold conditioner, jar ..23.25
- G0155 68-82 DRESSING - Calyx manifold conditioner, chap stick type tube10.30
- B3159 68-74 EXTENSION TUBE - injector pipe in exhaust manifold, 427/454 (8 req.) (ea.)12.95
- B3161 68-78 EXTENSION TUBE - injector pipe in exhaust manifold, 327/350 (8 req.) (ea.)21.80
- A3122 68-82 FLANGE - 2' exhaust pipe4.50
- A3134 68-74 FLANGE - 2.5' exhaust pipe, flat type8.75
- B3138 68-82 FRENCH LOCK SET - exhaust manifold, 327/350, (SS) (4 pc.)12.45
- B3139 68-74 FRENCH LOCK SET - exhaust manifold, 427/454, (SS) (4 pc.)12.45
- A3156 68-79 GASKET - heat riser, 2'4.85
- A3176 68-74 GASKET - heat riser, 2.5'3.95
- A3103 68-75 GASKET SET - exhaust manifold to engine, 327/35011.95
- B3164 68-74 GASKET SET - exhaust manifold, 427/454, (pr)14.65
- B3118 70-71 MANIFOLD - exhaust, -350 exc hp-LH w/o air holes235.35
- B3119 70-71 MANIFOLD - exhaust, -350 exc hp-LH w/air holes, (comes w/plugs)139.95

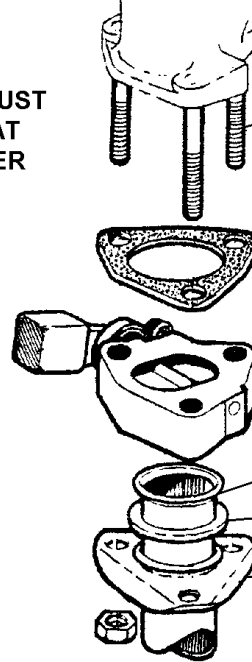


EXHAUST MANIFOLD

- C3191 69-72 MANIFOLD - exhaust, - 69-72 RH, 72 LH, 2', all w/350 #3932461, w/A.I.R. holes, pre-owned115.30
- B3151 68-71 MANIFOLD - exhaust, - LH, 2', all w/350 #3872765, w/A.I.R. holes, preownedCALL
- A3149 68-82 NUT SET - exhaust manifold studs, brass, (6 pc.)5.95
- A2922 68-74 NUT SET - exhaust manifold studs, lower, correct 'top lock' design, (6 pc.)5.30
- B3149 68-80 PLUG SET - emission holes in exhaust manifold, (8 pc.)19.55
- C3141 75-81 RING - exhaust pipe to manifold sealing3.60
- A3117 68-74 SLEEVE - exhaust donut alignment, 2'7.50
- A3119 68-74 SLEEVE - exhaust donut alignment, 2.5'7.75
- A3177 68-74 SLEEVE - exhaust donut alignment, 2' stainless steel14.00
- A3178 68-74 SLEEVE - exhaust donut alignment, 2 1/2' stainless steel15.55
- A3132 68-74 SPACER - 2.5', 427/454 exhaust manifold37.00
- A3136 68-79 STUD & NUT KIT - exhaust manifold to exhaust pipe, (12 pc.)12.50
- A3140 68-82 STUD & NUT KIT - exhaust man. to pipes, stainless steel, (12 pc.)24.50
- C3119 75-78 SWITCH - exhaust heat valve actuator, ea13.95
- C6900 68-71 TUBE ASSEMBLY (PIPES) - A.I.R., exhaust manifold (black), 427/454, LH85.00
- C6901 68-71 TUBE ASSEMBLY (PIPES) - A.I.R., exhaust manifold (black), 427/454, RH85.00
- C6902 68-71 TUBE ASSEMBLY (PIPES) KIT - A.I.R., exhaust manifold (black), 427/454, LH & RH, (pr) ...158.00

- B7001 75-76 TUBE ASSEMBLY (PIPES) - A.I.R., air injector, exhaust manifold, 327, 350 LH103.45
- B7002 68-76 TUBE ASSEMBLY (PIPES) - A.I.R., air injector, exhaust manifold, 327, 350 RH40.65
- C7035 72-74 TUBE ASSEMBLY (PIPES) - A.I.R., air injector, mounts to exhaust manifold, 454, LH 90.55
- C6903 72-74 TUBE ASSEMBLY (PIPES) - A.I.R., air injector, mounts to exhaust manifold, 454, RH90.55
- C7037 77-80 TUBE ASSEMBLY (PIPES) - A.I.R., air injector, mounts to exhaust manifold, RH ...129.40
- C7038 78-79 TUBE ASSEMBLY (PIPES) - A.I.R., air injector, w/Calif. or hi-altitude61.60
- C6904 72-74 TUBE ASSEMBLY KIT - A.I.R., air injector mounts to exhaust manifolds, 454, (pr)160.00

EXHAUST HEAT RISER



STUD SET A3136 stainless A3140

GASKET 2" A3156 2 1/2" A3176

HEAT RISER 2" A3128 2 1/2" A3130

SLEEVE 2" A3117 2 1/2" A3119

DONUT GASKET 2" A3105 2 1/2" A3107

FLANGE 2" A3122 2 1/2" A3134

- A3128 68-74 VALVE - heat riser, 2' exhaust42.95
- A3130 68-74 VALVE - heat riser, 2.5' exhaust48.75
- C3588 75-79 VALVE - heat riser, w/stock exhaust61.65

NOTE: Heat risers are always located beneath the RH exhaust manifold. Used 1968-82 Manifolds In Stock, CALL

- A3116 68-80 WASHER SET - exhaust manifold bolts, (8 pc.)6.95

NOTE: Washer Set A3116 were used as spacers for only the outer manifold attaching portion to prevent bolts from bottoming out, causing machined surfaces not to seal.

Exhaust Manifolds - New

- B3118 70-71 MANIFOLD - exhaust, - 350 exc. hp, LH235.35
- B3143 68-69 MANIFOLD - exhaust, - 427, LH352.25
- B3145 68-69 MANIFOLD - exhaust, - 427, LH w/ A.I.R.420.30
- B3144 68-74 MANIFOLD - exhaust, - 427/454, RH352.25
- B3146 68-74 MANIFOLD - exhaust, - 427/454, RH, w/A.I.R. . 420.30
- C3106 70-74 MANIFOLD - exhaust, - 454, LH543.15
- B3160 68-80 MANIFOLD - exhaust, - 68 327, 69-80 350 RH, 72-80 LH, w/air hole, incl. plug193.00
- C3156 82 MANIFOLD - exhaust, OEM header style, LH ...363.00
- C3157 82 MANIFOLD - exhaust, OEM header style, RH ...363.00
- B3150 68-69 MANIFOLD SET - exhaust, 427 w/A.I.R., (pr) . 749.95
- B3147 70-74 MANIFOLD SET - exhaust, 427/454, w/o A.I.R., (pr)649.95

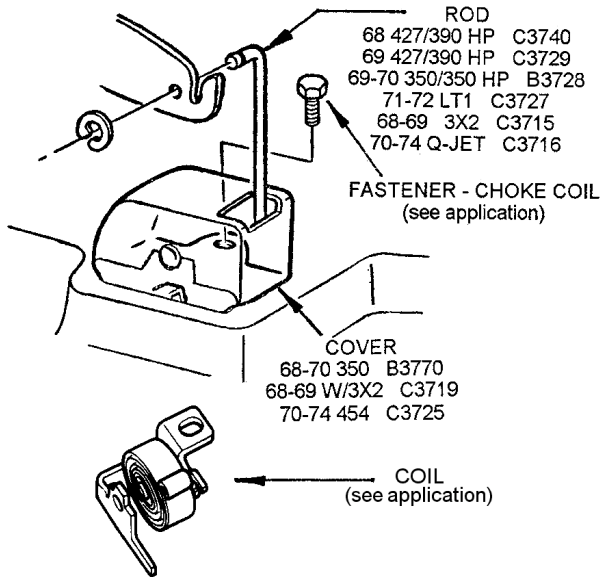
Exhaust Manifolds - Original, Reconditioned

1968-80 original Exhaust Manifolds always in stock. Call.

- C3190 81 MANIFOLD - exhaust, - OEM header style, LH, reconditioned279.95
- C3189 81 MANIFOLD - exhaust, - OEM header style, RH, reconditioned279.95
- C3187 82 MANIFOLD - exhaust, - OEM header style, LH, reconditioned279.95
- C3186 82 MANIFOLD - exhaust, - OEM header style, RH, reconditioned279.95

Quality - Service - Price
We have it all. Give us a call.

Fuel System: Carburetors, Parts, Kits, Fuel Filter, Lines, Filters & Fuel Injection
Fuel System: Choke Covers, Rods & Related

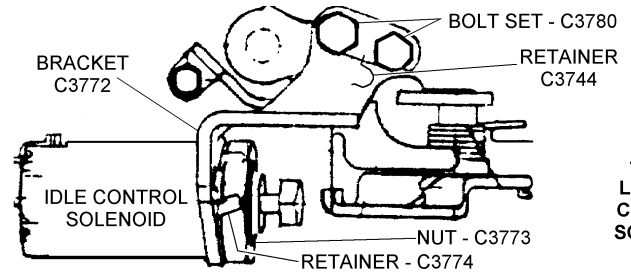


B3756	68-70	CLIP - choke rod2.65
C1667	71-74	CLIP - choke rod1.50
C3746	68-70	COIL/THERMOSTAT - choke, all 68-69 427, all 69-70 w/spec. hi-perf., all 68-70 327/350 w/Q-Jet18.95
C3724	71-72	COIL/THERMOSTAT - choke, LT1 & 71 LS618.00
C3743	70-74	COIL/THERMOSTAT - choke, all 70-74 454, 71-74 35019.75
C3719	68-69	COVER - choke coil, 427/3x217.95
B3770	68-70	COVER - choke coil, all exc. 427/3x28.95
C3725	70-74	COVER - choke coil, 70-74 454, 71-74 3508.05
B3728	68-70	ROD - choke, 350/350hp7.00
C3779	68-69	ROD - choke, 327/350hp15.00
C3716	70-74	ROD - choke, w/Q-Jet, w/3509.05
C3740	68	ROD - choke, 427/390hp, w/clips10.25
C3729	69	ROD - choke, 427/390hp, w/clips10.25
C3715	68-69	ROD - choke, 3x2 4279.95
C3738	70	ROD - choke, w/Q-Jet, 4549.45
C3726	70	ROD - choke, LT17.00
C3841	71	ROD - choke, 454/Holley carburetor9.00
C3739	71	ROD - choke, w/Q-Jet, 45417.65
C3727	71-72	ROD - choke, w/clips, LT19.00
C3768	72-74	ROD - choke, w/Q-Jet, w/4548.40
B3772	68-70	SCREW - choke coil mounting1.00
C3742	71-74	SCREW - choke coil mounting, all w/aluminum base, (ea)1.00
C3826	75-80	TUBE - choke, front, heat, intake manifold to carburetor12.50
C3835	75-80	TUBE - choke, rear, heat, intake manifold to carburetor27.95

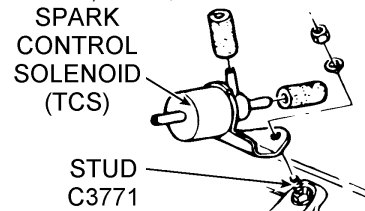
Fuel System: Carburetor "Survivor" Restoration Service

B1591	68-69	RESTORATION SERVICE - Tri-power sets, re-worked w/o the normal replating & recoloring, produces an 'aged' unit for any special restoration project, set of 3, 1 year warranty625.00
B1592	68-72	RESTORATION SERVICE - Holley 4 barrel, re-worked w/o the normal replating & recoloring, produces an 'aged' unit for any special restoration project, run tested, 1 year warranty359.95
C1531	68-80	RESTORATION SERVICE - Rochester Q-Jet, complete re-work w/o the normal restoration recoloring or replating, produces an 'aged' unit for any special restoration project, tested, 1 yr. warranty299.95
C1545	81	RESTORATION SERVICE - Rochester Q-Jet, complete re-work w/o the normal restoration recoloring or replating, produces an 'aged' unit for any special restoration project, run tested, 1 yr. warranty399.95

Fuel System: Carburetor LH Idle Control 1968-80, RH Spark Control 1970-74 & Related



C3780	70-72	BOLT SET - spark control solenoid bracket to carb. base, (LT1) (pr)3.00
C3772	70-72	BRACKET - idle control solenoid, LH side, LT1/LS629.95
C3796	71-74	BRACKET - idle solenoid, Q-Jet, reconditioned14.95
C3734	68-69	BRACKET KIT - idle solenoid, 1968/9 400hp w/AC and 435hp w/M40 automatic transmission, includes: bracket w/solenoid clamp, tab on center carburetor throttle shaft and correct mounting hardware1,500.00
C3668	70-72	BRACKET KIT - idle solenoid, LT1 Holley, bracket, 3 bolts & 2 nut retainers, 6pc49.95
C3968	71-74	BRACKET KIT - idle solenoid, all w/Rochester Q-Jet, 4pc29.95
A2006	70-72	BRACKET SET - LT1 carburetor solenoid wire on valve cover8.00
C3792	70	DE-ACCELERATOR VALVE - Rochester Q-Jet carburetors: 7040203 / 7040205 / 7040207 / 7040213 / 7040503 / 7040504 / 7040505 reconditioned original124.95
C2450	69-71	DECAL - caution, idle - on carburetor solenoid5.10
C3773	71-74	NUT - idle stop solenoid to bracket7.50
C3774	70-72	RETAINER - idle stop solenoid nut, keeps large nut from backing off, Holley6.50
C3744	70-72	RETAINER - idle stop solenoid bracket bolts, prevents 2 bolts holding solenoid bracket to Holley carburetor base plate from loosening up5.95
C3702	71 74	RETAINER - idle solenoid nut locking / Q-JET carburetor applications7.95
C3730	71-74	SCREW - idle control solenoid bracket on Q-Jet, tapered3.95
C3855	68-81	SOLENOID - idle control, left side of carburetor / universal replacement /for barrel clamp or nut retainer type system24.95
C3777	68-70	SOLENOID - idle control, left side of carb.104.95
C3753	71	SOLENOID - idle control, w/350/454, GM #1114444, left side of carburetor109.95
C3753W71		SOLENOID - idle control, w/350/454, GM #1114444, left side of carburetor W/O plastic shield over connectors59.95
C3761	72-74	SOLENOID - idle control, left side of carburetor69.95
C3759	75-76	SOLENOID - idle control, left side of carburetorCALL
C3978	77-80	SOLENOID - idle control, left side of carburetor, all except 1978 L82 w/automatic trans & AC43.00
C3973	78	SOLENOID - idle control, left side of carburetor, L82 w/automatic trans & AC45.00

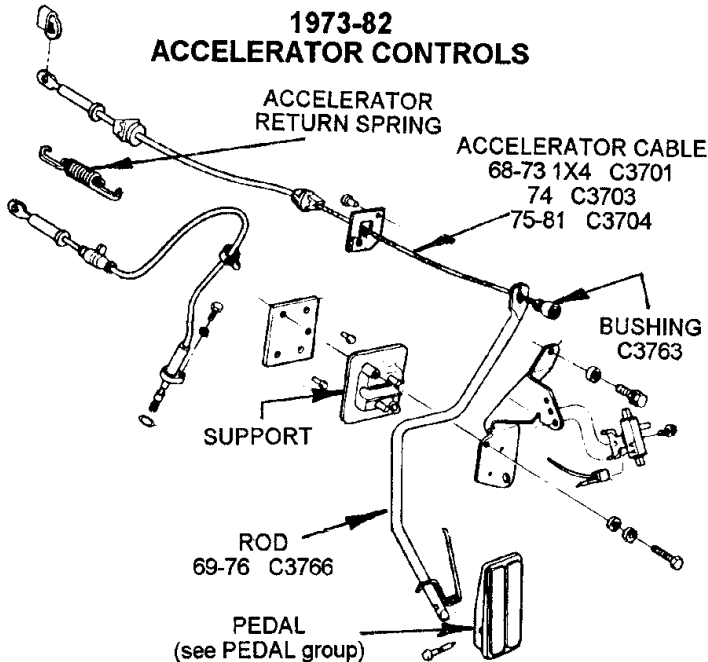


C3750	70	SOLENOID - spark control, w/350, GM #1114432, right hand side of carburetor174.95
C3770	70	SOLENOID - spark control, w/454, GM #1114434, right side of carburetor139.95
C3751	72	SOLENOID - spark control, w/350, GM #1114451, right side of carb85.00
C3781	72	SOLENOID / SPARK CONTROL - w/454 GM #1114453, right side of carb199.95
C3782	73-74	SOLENOID - spark control, w/454 manual trans., GM #1997411 / RESTORED OR NOS224.95
C3784	74	SOLENOID - spark control, 350 L-48, GM #199742585.00

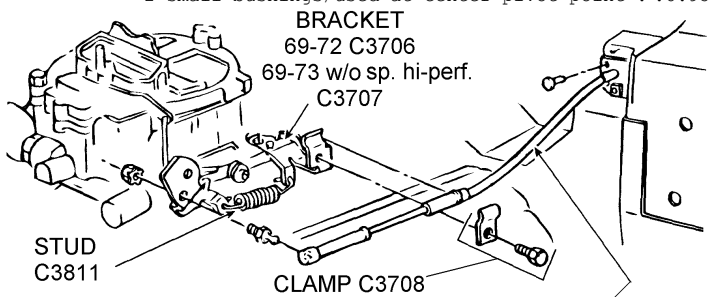
- C3752 73-74 SOLENOID - spark control, all w/350, w/manual transmission, GM #1997410, right side of carburetor85.00
- C3969 72-74 SOLENOID KIT - idle control, Rochester Q-Jet: single terminal solenoid w/solenoid bracket, tapered screw, solenoid nut & locking retainer69.95
- C3771 70-74 STUD - spark control solenoid mounting7.95

Fuel System: Carburetor Linkage & Related

1973-82 ACCELERATOR CONTROLS

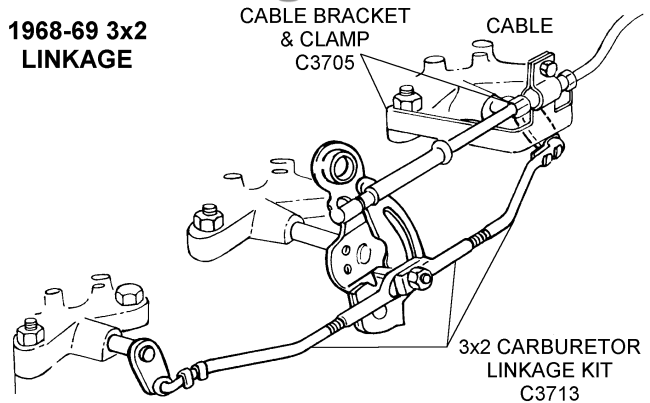


- C1664 68-73 BALL STUD - accelerator cable on carburetor throttle arm8.45
- K3301 68-69 BOLT/PIN - 3X2 linkage pivot point that mounts to center carburetor9.95
- C3732 69 BRACKET - accelerator return spring w/427 ...10.85
- C3706 69-73 BRACKET - accelerator cable support, w/special hi-perf. 350/454 W/Holley carburetor 32.95
- C3707 69-73 BRACKET - accelerator cable support, w/o special hi-perf. 350/454 W/Rochester Q-Jet carburetor29.95
- C3816 75-80 BRACKET - accelerator support19.60
- C3705 68-69 BRACKET & CLAMP W/BOLT - accelerator cable, 3x232.50
- C3763 68-82 BUSHING - holds rear end of cable to accelerator lever, (under dash)4.70
- B3737 68-69 BUSHING KIT - tri power linkage, 1 large & 2 small bushings/used at center pivot point . .8.95



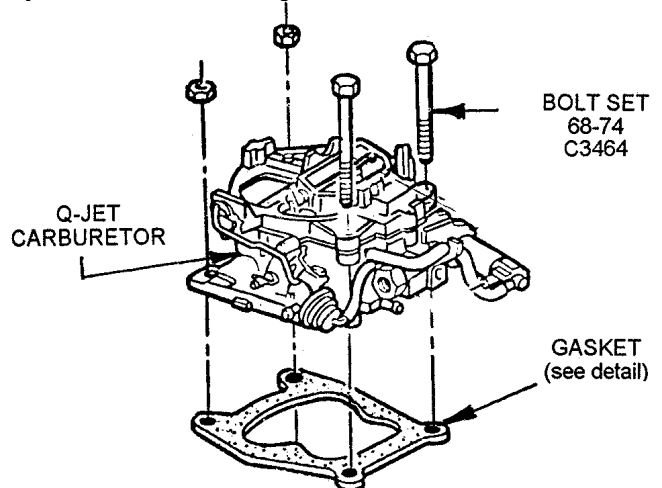
- ACCELERATOR CABLE 68-73 C3701, 74 C3703, 75-81 C3704, 82 C3799
- C3701 68-73 CABLE - accelerator34.95
- C3703 74 CABLE - accelerator32.00
- C3704 75-81 CABLE - accelerator35.00
- C3708 68-73 CLAMP - accelerator cable bracket6.50
- C1663 74-82 CLIP - accelerator cable to carburetor1.00
- C3749 68-69 CLIP SET - accelerator linkage, all w/3x2, original design21.00
- K3303 68-69 CONNECTOR - Tri Power linkage, screws on to linkage rods (1 required per rod/2 required per linkage kit) (ea)5.65
- A3747 68-82 INSTALLATION KIT - accelerator rod, 2 grommets, 2 sleeves & swivel13.80
- C3745 68-69 LEVER - accelerator, w/hardware, at firewall28.00

1968-69 3x2 LINKAGE



- C3713 68-69 LINKAGE KIT - tri-power, complete50.45
- B4027 68-69 NUT - bolt/pin locking 3x2 linkage pivot at center carb1.45
- C3766 69-76 ROD - accelerator / used original21.95
- C3767 68-73 SEAL - accelerator cable at firewall3.35
- C3765 74-82 SEAL - accelerator cable at firewall3.40
- B4093 68-69 SPACER - accelerator arm, 3 x 2 Holley carbs / plastic - white1.00
- C3710 68 SPRING - accelerator return, 427/3x2, yellow8.75
- C3709 68-69 SPRING - accelerator return, 1x4, 327 or 350, black8.25
- C3711 69 SPRING - accelerator return, 427/3x2, orange10.10
- C3712 70-72 SPRING - accelerator return, black15.35
- C3714 73 SPRING - accelerator return. light blue12.40
- C3722 74-82 SPRING - accelerator return, inner, silver ...4.25
- C3723 74-82 SPRING - accelerator return, outer, blue ...4.25
- C3797 74-82 SPRING SET - accelerator return, 2 pc.7.75
- C1666 68-69 SUPPORT - accelerator pedal pivot, bolts to inside firewall61.60

Fuel System: Carburetor Mounting - 1X4 & 3X2



- C3731 68-69 BAFFLE - all Q-Jet carbs, stainless steel ...10.00
- C3464 68-74 BOLT SET - front Rochester Q-Jet, 'RBW' HM, 5/16x3 1/2', (2 pc.)9.00
- C0607 68-69 GASKET - carburetor to intake, Q Jet carburetor6.00
- C0636 70 GASKET - carburetor to intake, Q-Jet carburetor12.35
- B1567 70-72 GASKET - carburetor to intake, LT1 w/Holley carb8.00
- C0637 71-81 GASKET - carburetor to intake, Q-Jet carburetor6.85
- B0606 68-69 GASKET SET - 3x2 carburetors to intake, (3 pc.)9.00
- C3754 68-69 MOUNT STUD KIT - Q-Jet carburetor to intake . 10.80
- C3755 70-71 MOUNT STUD KIT - Q-Jet carburetor to intake . 21.30
- B1558 70-72 MOUNT STUD KIT - Holley carburetor to intake9.60
- B3734 68-69 STUD & NUT KIT - 3x2 carburetor mounting, (24 pc.)20.90

Fuel System: Carburetor Rebuilding Kits



C1550 68	CARBURETOR KIT - 327, Q-Jet	24.95
C1554 69-71	CARBURETOR KIT - 350, Q-Jet	24.95
C1552 72	CARBURETOR KIT - 350, Q-Jet	24.95
C1557 73-74	CARBURETOR KIT - 350, Q-Jet	23.95
C1558 75-79	CARBURETOR KIT - 350, Q-Jet	23.95
C1598 80	CARBURETOR KIT - 350, Q-Jet, Rochester #17080228	23.95
C1507 80-81	CARBURETOR KIT - 350, Q-Jet, except #17080228	23.95
C1551 68	CARBURETOR KIT - 427, Q-Jet	23.95
C1553 69-72	CARBURETOR KIT - 427/454, Q-Jet	23.75
C1557 73-74	CARBURETOR KIT - 454, Q-Jet	23.95
B0661 68-69	CARBURETOR KIT - Holley 3X2 # 3659	55.65
B0660 68-69	CARBURETOR KIT - Holley 3X2 #'s 4055, 4056	52.30
B1575 68-69	CARBURETOR KIT - Holley #4054, #4296, 427 L88's / 855cfm	35.75
B1572 68-69	CARBURETOR KIT - Holley 3x2, all	29.95
B1565 70-72	CARBURETOR KIT - Holley 4 barrel	36.95
G0052 68-81	CLEANER - carburetor	3.00

Fuel System: Carburetor Rebuilding Super Kits

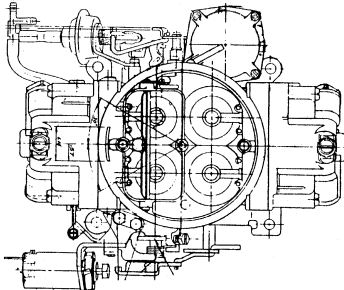
Q-jet Super Kits include: needle and seat, complete accelerator pump, correct gasket set, roll pins, clips, check ball, choke pull-off hose, jets, idle mixture screws, choke cam, fasteners and more.

C1659 68	CARBURETOR SUPER KIT - Holley #4054, L88	59.95
C1660 69	CARBURETOR SUPER KIT - Holley #4296, L88	53.95
B1553 70	CARBURETOR SUPER KIT - Holley #4489/4555	74.95
C3736 71	CARBURETOR SUPER KIT - Holley #4801, 4802, 4803	79.95
C1636 71	CARBURETOR SUPER KIT - Holley #4801, 4802, 4803	74.95
C1665 72	CARBURETOR SUPER KIT - Holley #6239	79.95
C1661 68-69	CARBURETOR SUPER KIT - Holley 3 carb. set w/#4055 center	115.65
C1662 68-69	CARBURETOR SUPER KIT - Holley 3 carb. set w/#4056 center	91.00
C3737 68-74	CARBURETOR SUPER KIT - Q-Jet, specify carb. number	79.95

Fuel System: Carburetor Restoration Service - 1968-81

B1501 68-69	RESTORATION SERVICE - 2 barrel Holley 3x2 (ea) (\$185 each in sets of three)	295.00
B1502 68-80	RESTORATION SERVICE - 4 barrel	359.95
C1540 81	RESTORATION SERVICE - 4 barrel	329.95

Fuel System: Carburetors - Holley / Original - Unrestored



Original Holley CARBURETORS

Original, with Correct Production Dates. These are the carburetors that came on 68-72 production Corvettes. They'll be dirty and need some clean up but they'll be complete and just need rebuilding. We guarantee them to be rebuildable - Satisfaction guaranteed. Delivery subject to availability of specific production codes. Over 700 original units in stock. Restoration of original 4 barrel carburetors purchased from us is available!

C1547 68	CARBURETOR - #3659 3x2 end, CALL OR E MAIL ABOUT AVAILABLE DATES, (2 req.) (ea)	425.00
C1556 69	CARBURETOR - #3659 3x2 end, CALL OR E MAIL ABOUT AVAILABLE DATES, (2req.) (ea)	425.00
C1586 68	CARBURETOR - #4054 L88, CALL OR E MAIL ABOUT AVAILABLE DATES	CALL
C1587 68	CARBURETOR - #4055 3x2 stick, center, CALL OR E MAIL ABOUT AVAILABLE DATES,	495.00
C1588 68	CARBURETOR - #4056 3x2 auto, center, CALL OR E MAIL ABOUT AVAILABLE DATES,	595.00
C1580 69	CARBURETOR - #4055 3x2 stick, center, CALL	

C1581 69	OR E MAIL ABOUT AVAILABLE DATES,	495.00
C1589 69	CARBURETOR - #4056 3x2 auto, center, CALL OR E MAIL ABOUT AVAILABLE DATES,	695.00
C1590 70	CARBURETOR - #4296 L88, CALL OR E MAIL ABOUT AVAILABLE DATES,	CALL
C1591 70	CARBURETOR - #4489 350/LT1 stick, California, CALL OR E MAIL ABOUT AVAILABLE DATES,	695.00
C1592 71	CARBURETOR - #4555 350/LT1, CALL OR E MAIL ABOUT AVAILABLE DATES,	795.00
C1593 71	CARBURETOR - #4801 350/LT1, CALL OR E MAIL ABOUT AVAILABLE DATES,	795.00
C1594 71	CARBURETOR - #4802 LS6 auto, CALL OR E MAIL ABOUT AVAILABLE DATES,	CALL
C1595 72	CARBURETOR - #4803 LS6 stick, CALL OR E MAIL ABOUT AVAILABLE DATES,	CALL
C1595 72	CARBURETOR - #6239 350/LT1, CALL OR E MAIL ABOUT AVAILABLE DATES, SAMPLE SHOWN IS RESTORED / RESTORATIONS ARE AVAILABLE FOR AN ADDITIONAL FEE .	695.00

Fuel System: Carburetors - Holley / Original Applications - New

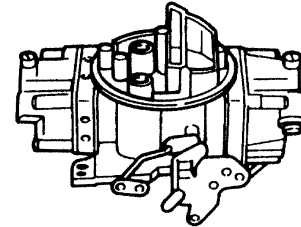
New, with original GM#and Holley list numbers, current production with service dates.

B1527 68-69	CARBURETOR - #3659, 3x2 end (2 req.) (ea)	395.00
C1503 68-69	CARBURETOR - #4055, 3x2 stick, center	595.00
C1508 70	CARBURETOR - #4555 - 350 LT1/4barrel	674.95

Fuel System: Carburetors - Holley / Original Applications - Service Dated - Restored

C1643 70	CARBURETOR - #4889, 350/T1, Calif. RESTORED	795.00
C1646 71	CARBURETOR - #4802, 454/LS6, w/AT, RESTORED	695.00
C1647 71	CARBURETOR - #4803, 454/LS6, w/MT, RESTORED	695.00
C1648 72	CARBURETOR - #6239, 350/LT1, RESTORED	695.00

Fuel System: Carburetors - Holley / Replacements for Rochester Quadra-Jet Carburetors



The carburetors C1608-C1614 are direct replacements for the original Q-Jet carburetors for 1968-78 Corvettes, commonly referred to as "spread bore Holleys". They have all appropriate emission provisions and meet the California Air Resource Board Standards.

C1608 68-70	CARBURETOR - Holley, all w/327 & 350, spread bore 650 cfm	449.95
C1609 68-70	CARBURETOR - Holley, all w/427/454, spread bore 800 cfm, restored, w/o exchange	474.95
C1612 73-74	CARBURETOR - Holley, all w/350/454, spread bore 650 cfm	479.95
C1613 75-78	CARBURETOR - Holley, all w/350, spread bore 650 cfm	479.95
C1614 75-79	CARBURETOR - Holley, all w/350, square flange, for after market intake w/standard Holley mounting pattern, 600 cfm	399.95

ORDER BY PHONE:

1-800-872-2446

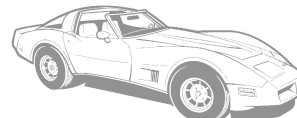


ORDER BY FAX:

708-458-2662

TECHNICAL QUESTIONS:

708-458-2500



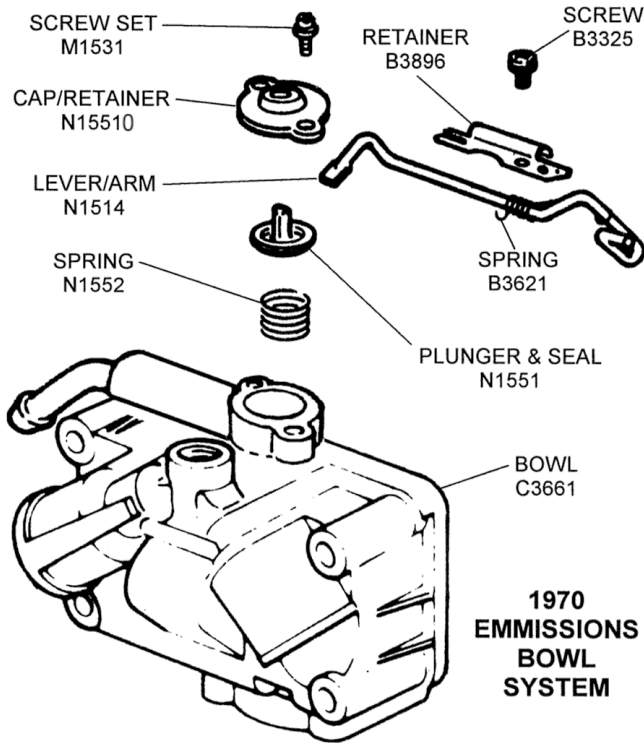
CUSTOMER SERVICE:

708-458-6577

QUESTIONS ABOUT YOUR ORDER:

708-458-2500

Fuel System: Carburetors - Holley 4 Barrel Components & Related

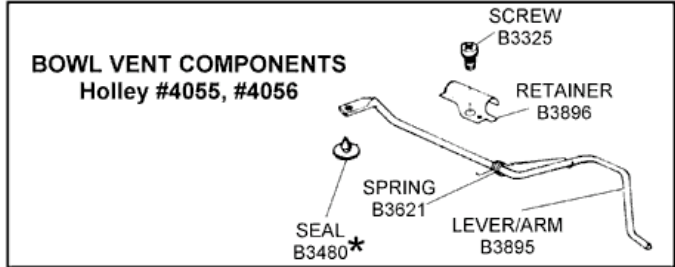
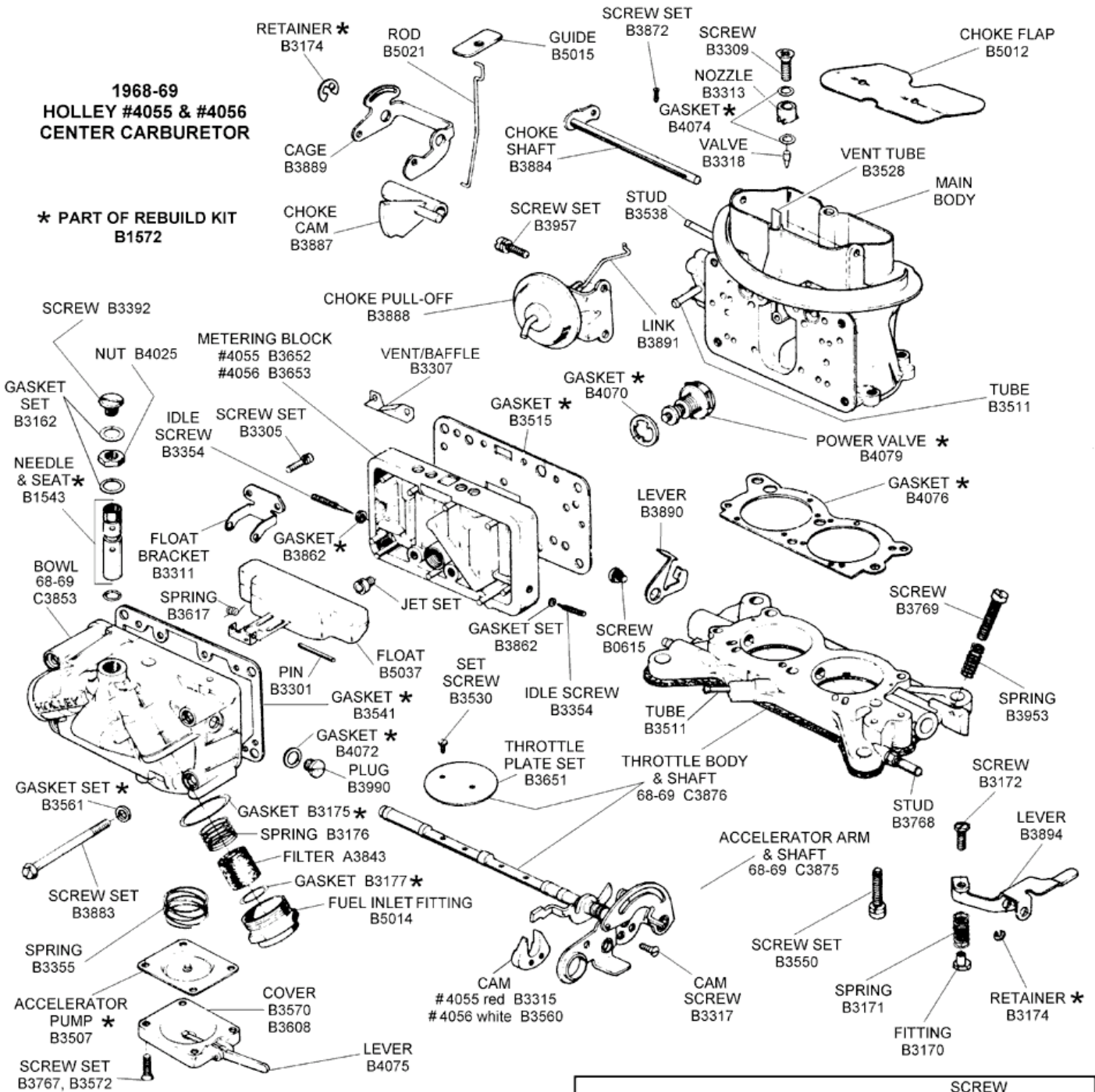


B3307	68-72	BAFFLE - metering block vent, (1 req. per metering block)	1.65
B3881	68-72	BASE - vacuum secondary diaphragm	14.00
C1577	68	BASE PLATE ASSEMBLY - throttle body, w/all shafts, Holley #4054	295.00
C1578	69	BASE PLATE ASSEMBLY - throttle body, w/all shafts, Holley #4296, restored	295.00
C1600	70	BASE PLATE ASSEMBLY - throttle body, w/all shafts, LT1, Holley #4489, 4555 carburetors	239.95
C1576	71	BASE PLATE ASSEMBLY - throttle body, w/all shafts, LT1, Holley #4801, 4802, 4803 carburetors	CALL
C1601	72	BASE PLATE ASSEMBLY - throttle body, w/all shafts, LT1, Holley #6239 carburetors	CALL
C3661	70	BOWL - fuel, front, Holley #4489 w/special valve provision & return line	79.95
B5001	68-72	BOWL - fuel, front (primary), Holley #4054, 4296, 4555 4801, 4802, 4803, 6239, w/o vent	69.95
B5003	68-72	BOWL - fuel, rear (secondary), Holley #4054, 4296, 4489, 4555, 4801, 4802, 4803, 6239	59.95
B3311	68-72	BRACKET - float, in fuel bowl	1.45
B3531	68-72	BUSHING SET - primary throttle shaft, to repair worn out throttle shaft holes in base plate, may require reaming of base, brass, (2 pc.)	5.00
B3532	68-72	BUSHING SET - secondary throttle shaft, Teflon, (4 pc.)	3.00
B3889	68-70	CAGE/LEVER - fast idle plastic cam	9.95
C1622	71-72	CAGE/LEVER - fast idle plastic cam	12.95
B3560	68-72	CAM - accelerator pump on throttle shaft arm, Holley #4054, 4296, 4489, 4555, 4801, 4802, 4803, 6239, white plastic	2.95
B3647	68-72	CAM KIT - accelerator pump, on throttle shaft arm, different profiles & colors, allows custom tailoring of accelerator pump response, (8 pc.)	18.60
B3887	68-70	CAM/ACTUATOR - choke, plastic, RH side of carburetor on stud	12.95
C3554	71-72	CAM/ACTUATOR - choke, plastic, RH side of carburetor on stud	13.95
B1575	68-69	CARBURETOR KIT - Holley #4054, 4296	35.75
B1565	70-72	CARBURETOR KIT - Holley #4555, 4801, 4802, 4803, 6239	36.95
B3513	68-72	CHECK BALL - secondary diaphragm cover	1.00
B3607	68-72	CHECK VALVE - accelerator pump / installs in bowl, red rubber, many HI PERF applications	2.95
C5015	71-72	CHOKE KIT - Holley 4160, LT1, LS5 / all components on carburetor / list #'s 4801, 4802, 4803 & 6239	119.95
B3888	68-70	CHOKE PULL-OFF - Holley carburetor	19.95
C1565	71-72	CHOKE PULL OFF - Holley carburetor w/curved pipe	69.95
C3733	71-72	CHOKE PULL-OFF - Holley carburetor	

		w/straight pipe	59.95
C3622	69-74	CHOKE PULL-OFF ROD	12.00
C3743	71-74	COIL- thermostat, choke, 454	19.75
B3973	68-72	COTTER PIN - for link between primary & secondary shaft	1.00
B3608	68-72	COVER - accelerator pump (30 cc), w/beveled screw holes for tapered clutch head screw set #B3572	14.50
B3570	68-72	COVER - accelerator pump (30 cc), for use w/Phillips non-tapered screw set #B3767	10.00
B3571	68-72	COVER - accelerator pump (50 cc), performance version, provides extra performance, not originally used on Corvettes	14.00
B3882	68-72	COVER - vacuum secondary diaphragm	14.00
B1541	68-72	DIAPHRAGM - vacuum secondary	19.95
A3843	68-72	FILTER - fuel, bronze, behind fuel inlet nut	4.75
B3170	68-72	FITTING - accelerator pump adjusting on lever	1.00
B3892	66-72	FITTING - fuel inlet, Holley #4054, 4296, 4489, 4555, 4801, 4802, 4803, 6239, 5/16" inlet size, (2 req.)	8.95
B5081	68-72	FLAP/PLATE - choke, w/o stamped # or punch out, as original	6.25
B3870	68-72	FLAP/PLATE - choke, w/stamped #, Holley replacement	5.95
B5004	68-72	FLOAT - Holley carburetor, #4054, 4296, 4489, 4555, 4801, 4802, 4803, 6239, (2 req.) (ea)	8.95
B0109	68-72	GASKET - 4 barrel carburetor to air cleaner	3.35
B5421	68-69	GASKET - carburetor base to main body, Holley #4054, 4296	1.75
B3539	70-72	GASKET - carburetor base to main body, Holley #4489, 4555, 4801, 4802, 4803, 6239	1.75
B3177	68-72	GASKET - fuel filter, small	0.25
B3175	68-72	GASKET - fuel inlet, large, aluminum, rubber coated	1.00
B4070	68-72	GASKET - power valve	1.00
B3541	68-72	GASKET SET - bowl to metering block, (2 pc.)	2.50
B3561	68-72	GASKET SET - fuel bowl screws, (8 pc.)	2.65
B3862	68-72	GASKET SET - idle air screws, (2 pc.)	1.00
B3515	68-72	GASKET SET - metering block to main body, (2 pc.)	2.50
B3162	68-72	GASKET SET - needle & seat, (4 pc./2 pr.)	1.00
B4074	68-72	GASKET SET - nozzle squirter, (2 pc.)	1.00
B5038	68-72	GASKET SET - secondary diaphragm base to carburetor body	1.00
B4072	68-72	GASKET SET - sight plugs, (2 pc.)	1.00
B5015	68-72	GUIDE - choke rod, white plastic	1.00
B3574	68-72	HOSE KIT - vacuum pull-off to base plate, 4 barrel	1.25
B2407	68-72	INK STAMP KIT - Holley carburetor number, list & inspection (specify Holley list # & production date)	26.95
C3670	68	JET KIT - metering blocks, front & rear, Holley #4054, (4 pc.)	10.00
C3671	69	JET KIT - metering blocks, front & rear, Holley #4296, (4 pc.)	10.00
C3629	69	JET SET - metering block, .061, rear	4.50
C3631	72	JET SET - metering block, .073, rear, Holley #6239, (2 pc.)	6.05
B3644	70-71	JET SET - metering block, front, Holley #4489, 4555, 4801, 4802, 4803, (2 pc.)	4.50
C3381	72	JET SET - metering block, front, Holley #6239, (2 pc.)	4.50
B5024	68-71	JET SET - metering block, rear, Holley #4489, 4555, 4801, 4802, 4803 (2 pc.)	4.50
B3877	68-72	LEVER - accelerator pump on stud	5.95
B3890	68-70	LEVER - choke control, screws to primary throttle shaft, contacts plastic choke cam, RH	8.95
C1623	71-72	LEVER - choke control, screws to primary throttle shaft, contacts plastic choke cam, RH	13.95
B3514	68-72	LEVER - secondary throttle shaft, RH	3.95
B4075	68-72	LEVER/ARM - accelerator pump cover	1.75
C1621	71-72	LINK - fast idle cam cage to choke pull-off	8.95
B3891	68-70	LINK - fast idle cam cage to choke pull-off	4.15
B3893	68-72	LINK - primary throttle shaft to secondary	4.95
C1624	68-69E	METERING BLOCK - front, Holley #4054	69.95
C1566	68-69E	METERING BLOCK - front, Holley #4054, stamped #5247	89.95
C1625	69L	METERING BLOCK - front, Holley #4296	69.95
C1567	69L	METERING BLOCK - front, Holley #4296, stamped #5895	89.95
C1626	70	METERING BLOCK - front, Holley #4489	69.95
C1569	70	METERING BLOCK - front, Holley #4489, stamped #6335	89.95
C1627	70	METERING BLOCK - front, Holley #4555	69.95
C1568	70	METERING BLOCK - front, Holley #4555, stamped #6333	89.95
C1628	71	METERING BLOCK - front, Holley #4801	69.95

1968-69
HOLLEY #4055 & #4056
CENTER CARBURETOR

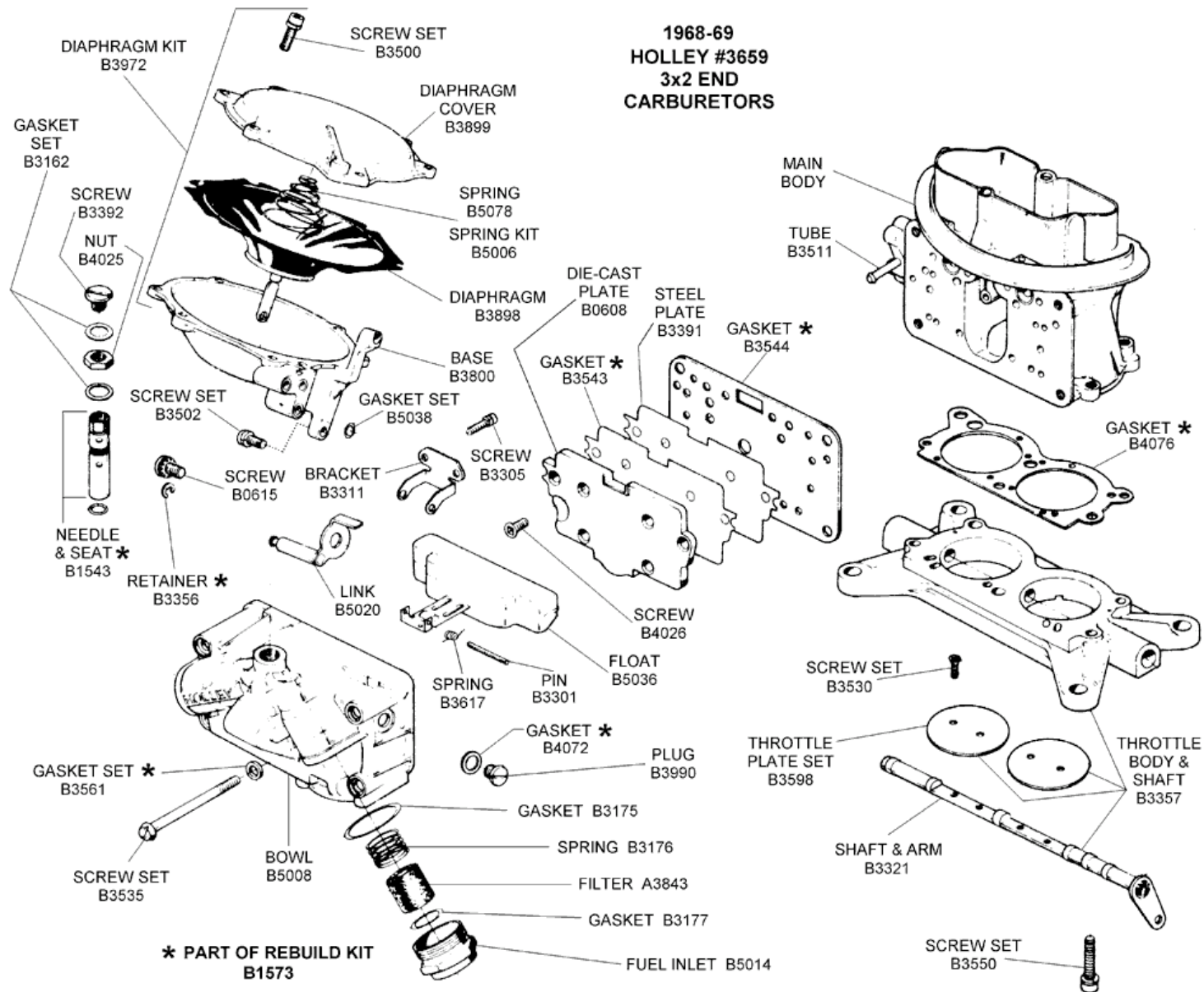
* PART OF REBUILD KIT
B1572



WE HAVE THE LARGEST SELECTION OF UNRESTORED
Holley IN THE WORLD!
CARBURETORS

C1570 71	METERING BLOCK - front, Holley #4801, stamped #6808	89.95	C1573 72	METERING BLOCK - front, Holley #6239, stamped #6828	89.95
C1629 71	METERING BLOCK - front, Holley #4802	69.95	C1637 72	METERING BLOCK - front, Holley #6239, stamped #7102	89.95
C1571 71	METERING BLOCK - front, Holley #4802, stamped #6671	79.95	B3778 70-72	METERING BLOCK - rear, Holley #4555, 4801, 4802, 4803, 6239	59.95
C1630 71	METERING BLOCK - front, Holley #4803	69.95	C1632 68-69E	METERING BLOCK - rear, Holley #4054	74.95
C1572 71	METERING BLOCK - front, Holley #4803, stamped #6808	89.95	C1574 68-69E	METERING BLOCK - rear, Holley #4054, stamped #5253	94.95
C1631 72	METERING BLOCK - front, Holley #6239	69.95			

**1968-69
HOLLEY #3659
3x2 END
CARBURETORS**



*** PART OF REBUILD KIT
B1573**

C1633 69L	METERING BLOCK - rear, Holley #4296	74.95	B3356 68-72	RETAINER/'E' CLIP - secondary diaphragm rod to link	1.00
C1575 69L	METERING BLOCK - rear, Holley #4296, stamped #5901	94.95	B3885 70	ROD - choke cross shaft to plastic choke cam cage/lever	7.95
C1634 70	METERING BLOCK - rear, Holley #4489	69.95	C5024 71-72	ROD - choke cross shaft to plastic choke cam cage/lever	11.95
C1635 70	METERING BLOCK - rear, Holley #4489, stamped #6192	89.95	B5042 68-69	ROD - choke cross shaft to plastic choke cam cage/lever, w/Holley #4054, 4296	11.95
B4130 70-72	METERING BLOCK - rear, Holley #4555, 4801, 4802, 4803, 6239, stamped #4519	69.95	B3172 68-72	SCREW - accelerator pump adjusting on lever	1.00
C1638 72	METERING BLOCK - rear, Holley #6239, stamped #7101	89.95	B3317 68-72	SCREW - accelerator pump cam retainer, on accelerator lever	1.00
B1543 68-72	NEEDLE & SEAT SET - w/adjustable float, (2 req.) (ea)	5.85	B3354 68-72	SCREW - air/fuel mixture in metering block, (ea)	1.75
B3343 68-72	NEEDLE & SEAT SET - float / improved no stick rotary design	7.95	B3769 68-72	SCREW - fast idle	1.25
B3318 68-72	NEEDLE VALVE - pump discharge nozzle	1.25	B4078 68-72	SCREW - fuel bowl, 2.5' length, original, replated, (ea)	2.95
B4025 68-72	NUT - needle & seat height locking	1.25	B0615 68-72	SCREW - lever to throttle shaft, Holley carburetor, (ea)	1.00
B3301 68-72	PIN - float retainer Holley #4054, 4296, 4489, 4555, 4801, 4802, 4803, 6239	1.00	B3392 68-72	SCREW - needle & seat height adjusting	1.00
B4086 68-69	PLATE - throttle shafts, #4054, 4296, (4 req.) (ea)	4.25	B3309 68-72	SCREW - pump discharge nozzle	1.00
B3394 70-72	PLATE - throttle shafts, Holley #4489, 4555, 4801, 4802, 4803 & 6239 (4 req.) (ea)	2.65	B5026 68-72	SCREW - secondary throttle adjusting, in base plate	2.00
B3639 70-72	PLATE SET - throttle shafts, Holley #4489, 4555, 4801, 4802, 4803, 6239, (4 pc.)	5.95	B3767 68-72	SCREW SET - accelerator pump (30 cc) cover, Phillips head, 3/8' long, used on B3570 cover, (4 pc.)	3.25
B4081 68-72	POWER VALVE - Holley metering block, Holley #4054, 4296, 4489, 4555, 4801, 4802, 4803, 6239, (2 req.) (ea)	6.00	B3572 68-72	SCREW SET - accelerator pump (30 cc) cover, tapered clutch head, 3/8' long, used on B3608 cover, (4 pc.)	3.25
B3507 68-72	PUMP - accelerator, 30CC, standard	5.75	B3573 68-72	SCREW SET - accelerator pump (50 cc) cover, 5/8' long, used on B3571 cover, (4 pc.)	3.25
B3507G 68-72	PUMP - accelerator, 30CC, ALCOHOL/METHANOL resistant	8.95	B3872 68-72	SCREW SET - choke flap, (2 pc.)	1.00
B1557 68-72	PUMP - accelerator, 50 CC, used to provide extra acceleration, not stock on Chevrolet OEM Holley carburetors, requires 50CC cover #B3571	8.65	B3957 68-72	SCREW SET - choke pull-off retaining, (2 pc.)	1.50
B3646 68-72	RETAINER - lever/arm to accelerator pump cover	1.00	B3305 68-72	SCREW SET - float bracket retaining, (2 pc.)	1.25
B3174 68-72	RETAINER/'E' CLIP - accelerator pump lever, choke cam & cage shaft	1.00	B3883 68-72	SCREW SET - fuel bowl, 2.5' length, current design, (4 pc.)	4.95

B3501	68-72	SCREW SET - secondary diaphragm cover to base, 4 barrel, (4 pc.)	2.95	B3899	68-69	COVER - secondary diaphragm, all tri-power end carburetor, Holley #3659	29.65
B3173	68-72	SCREW SET - throttle body to carburetor main body, (6 pc.)	4.75	B3898	68-69	DIAPHRAGM - carburetor, secondary, all w/ 3x2, Holley #3659	29.95
B3530	68-72	SCREW SET - throttle plates to shaft, (8 pc.)	4.50	B3972	68-69	DIAPHRAGM KIT - secondary, includes diaphragm, base, cover, spring, link, gasket set, retainer & all required screws, (1 kit req. per #3659 carburetor)	87.95
B3503	68-72	SCREW SET - vacuum secondary assembly to 4 barrel carb. body	2.50	A3843	68-69	FILTER - fuel, bronze, behind fuel inlet nut, (1 req. per carb.)	4.75
B3990	68-72	SCREW/PLUG - fuel bowl, to check fuel level	1.50	B3170	68-69	FITTING - accelerator pump adjusting on lever	1.00
N1520	68	SHAFT & LEVER ASSEMBLY - throttle, Holley #4054	49.95	B5014	68-69	FITTING - fuel inlet, Holley 3x2 carburetor, 3/8' inlet size	8.95
C1579	69	SHAFT & LEVER ASSEMBLY - throttle, Holley #4296, original, restored	105.00	B3779	68-69	FITTING - vacuum, connects 2 tri-power end carbs to center carburetor, 'T' shape	2.50
C1602	70	SHAFT & LEVER ASSEMBLY - throttle, LT1 Holley #4489, 4555	89.95	B5012	68-69	FLAP/PLATE - choke	4.95
C1603	71	SHAFT & LEVER ASSEMBLY - throttle, LT1 Holley #4801, 4802, 4803	32.95	B5036	68-69	FLOAT - carburetor, all #3659, 3x2, end	9.95
C1604	72	SHAFT & LEVER ASSEMBLY - throttle, LT1 Holley #6239	39.95	B5037	68-69	FLOAT - carburetor, all #4055, 4056, 3x2, center	12.00
B3385	68-70	SHAFT & LEVER ASSEMBLY - throttle, secondary, in base plate, except #4296	22.95	B3568	68-69	FUEL INLET KIT - 1 tri power carburetor / 5pc, 1 each: fuel inlet fitting, fuel filter & spring and large & small gaskets	12.95
B3884	68-72	SHAFT - choke flap/plate	19.95	B3175	68-69	GASKET - fuel inlet, large, aluminum, rubber coated	1.00
B3171	68-72	SPRING - accelerator pump adjusting on lever	1.00	B3177	68-69	GASKET - fuel filter, small	0.25
B3355	68-72	SPRING - accelerator pump diaphragm	1.00	B4076	68-69	GASKET - main body to base plate	1.75
B5084	68-69	SPRING - choke rod, Holley #4054, 4296	12.95	B3543	68-69	GASKET - metering plate (die cast) to metering plate, steel	1.00
B3953	68-72	SPRING - fast idle screw	1.50	B4070	68-69	GASKET - power valve	1.00
B3617	68-72	SPRING - float, Holley #4054, 4296, 4489, 4555, 4801, 4802, 4803, 6239, primary & secondary, (ea)	1.50	B0162	68-69	GASKET SET - carburetors to air cleaner, (3 pc.)	8.00
B3176	68-72	SPRING - fuel filter	1.50	B3541	68-69	GASKET SET - bowl to metering block, (2 pc.)	2.50
B3629	68-72	SPRING - secondary diaphragm, Holley #4489, 4054, 4555, 4801, 4802, 4803, 6239	4.50	B0606	68-69	GASKET SET - 3x2 carburetors to intake, (3 pc.)	9.00
B5006	68-69	SPRING KIT - secondary diaphragm, 7 springs for adjusting accelerator response	14.25	B3561	68-69	GASKET SET - fuel bowl screws, (8 pc.)	2.65
A3955	68-72	STAND KIT - carburetor, elevates carburetor 2' to facilitate servicing it, throttle shafts easily open, (4 pc.)	5.95	B3862	68-69	GASKET SET - idle air screws, (2 pc.)	1.00
B3768	68-72	STUD - accelerator pump lever, on base plate, LH front	2.50	B3515	68-69	GASKET SET - metering block to main body, (2 pc.)	2.50
B3538	68-70	STUD - choke cam & cage, presses into main body, RH	7.85	B3162	68-69	GASKET SET - needle & seat, (4 pc./2 pr.)	1.00
C1619	71-72	STUD - choke cam & cage, presses into main body, RH	15.95	B4074	68-69	GASKET SET - nozzle squirter, Holley #4055, 4056, (2 pc.)	1.00
B3528	68-72	TUBE - air horn bowl vent, front, short, (angle cut)	1.45	B5038	68-69	GASKET SET - secondary diaphragm housing base to #3659 carburetor body, (2 pc.)	1.00
B3529	68-72	TUBE - air horn bowl vent, rear, long, (angle cut)	1.45	B4072	68-69	GASKET SET - sight plugs, (2 pc.)	1.00
B3511	68-72	TUBE - base plate, RH front, small, vacuum advance, press-in	2.00	B3544	68-69	GASKET SET - steel metering plate to main body, (2 pc.)	2.50
B3512	68-72	TUBE - base plate, RH rear breather, press-in	3.75	B5015	68-69	GUIDE - choke rod, 3x2 center carburetor, white plastic	1.00
C3887	71-72	VACUUM CONNECTOR - plastic choke pull off, Holley 71-72LT1 / LS6	45.00	B3650	68-69	HOSE KIT - tri-power carbs, end carburetors to center, & choke pull-off, w/'T' fitting	4.50
Fuel System: Carburetors - Holley Tri-Power Components & Related							
B3307	68-69	BAFFLE - metering block vent	1.65	B3634	68-69	JET SET - Holley #4055, (pr)	4.50
B3800	68-69	BASE - secondary diaphragm, Holley #3659	26.65	C3621	68-69	JET SET - Holley #4056, (pr)	4.50
B3357	68-69	BASE PLATE ASSEMBLY - throttle body, w/shaft, Holley #3659, 3x2 end carburetor	129.95	B3894	68-69	LEVER - accelerator pump, on stud	4.95
C3876	68-69	BASE PLATE ASSEMBLY - throttle body, w/shaft, Holley #4055, 4056, 3x2 center carburetor	CALL	B4075	68-69	LEVER - accelerator pump cover	1.75
C3853	68-69	BOWL - center carburetor, Holley #4055, 4056, w/vent	79.95	B3890	68-69	LEVER - choke control, screws to throttle shaft, contacts plastic cam, RH	8.95
B5008	68-69	BOWL - end carburetor, Holley #3659	69.95	B3895	68-69	LEVER/ARM - bowl vent, Holley #4055, 4056	8.95
B3311	68-69	BRACKET - float, in fuel bowl	1.45	B3891	68-69	LINK - fast idle cam cage to choke pull-off	4.15
B3531	68-69	BUSHING SET - throttle shaft, to repair worn out throttle shaft holes in base plate, may require reaming of base, brass, (2 pc.)	5.00	B5020	68-69	LINK - secondary diaphragm, on throttle shaft, RH	9.50
B3889	68-69	CAGE/LEVER - fast idle plastic cam	9.95	B3766	68-69	LINK & SCREW KIT - 3659 end carburetors on RH of throttle shafts. does 2 carburetors, 4pc	17.95
B3315	68-69	CAM - accelerator pump on throttle shaft arm, Holley #4055, red plastic	2.95	B5983	67-69	MAIN BODY - 3660, 3888, 4055 or 4056 Holley center carburetor w/o numbers w/o boosters	145.00
B3560	68-69	CAM - accelerator pump on throttle shaft arm, Holley #4056, white plastic	2.95	B3524	68-69	METERING BLOCK - front, Holley #4055	49.95
B3887	68-69	CAM/ACTUATOR - choke, plastic, RH side of carburetor on stud	12.95	B3516	68-69	METERING BLOCK - front, Holley #4056	59.95
B3647	68-69	CAM KIT - accelerator pump, on throttle shaft arm, allows custom Tailoring of accelerator pump response, (8 different profiles & colors)	18.60	B3652	68-69	METERING BLOCK - front, Holley #4055, stamped #5062	79.95
B3888	68-69	CHOKE PULL-OFF - center carb #4055, 4056	19.95	B3653	68-69	METERING BLOCK - front, Holley #4056, stamped #5257	79.95
B3608	68-69	COVER - accelerator pump (30 cc), w/beveled screw holes for tapered clutch head screw set #B3772	14.50	B1543	68-69	NEEDLE & SEAT SET - w/adjustable float, (ea)	5.85
B3570	68-69	COVER - accelerator pump (30 cc), for use w/Phillips non-tapered screw set #B3767	10.00	B3343	68-69	NEEDLE & SEAT SET - float / improved no stick rotary design	7.95
				B3318	68-69	NEEDLE VALVE - pump discharge nozzle	1.25
				B3313	68-69	NOZZLE - pump discharge	11.45
				B4025	68-69	NUT - needle & seat height locking	1.25
				B3301	68-69	PIN - float to bracket	1.00
				B0608	68-69	PLATE - fuel metering, Holley #3659 secondary carburetor, die cast	29.95
				B3391	68-69	PLATE - fuel metering, thin steel, between die cast metering plate & carb. body, Holley #3659	3.95
				B3598	68-69	PLATE SET - throttle shaft, Holley #3659, aluminum, (2 pc.)	19.95
				B3651	68-69	PLATE SET - throttle shaft, Holley 3x2 center carburetor, (2 pc.)	10.75
				B3990	68-69	PLUG/SCREW - fuel bowl, to check fuel level	1.50
				B4079	68-69	POWER VALVE - Holley #4055, 4056, metering block	6.00

B3507	68-69	PUMP - accelerator (30 cc)	5.75
B3646	68-69	RETAINER - accelerator pump arm to cover	1.00
B3896	68-69	RETAINER - bowl vent lever	3.65
B3174	68-69	RETAINER/'E' CLIP - accelerator pump lever, choke cam & cage shaft	1.00
B3356	68-69	RETAINER/'E' CLIP - secondary diaphragm rod to link	1.00
B5021	68-69	ROD - choke shaft to choke plastic cam cage/lever	13.60
B3172	68-69	SCREW - accelerator pump adjusting on lever ..	1.00
B3354	68-69	SCREW - air/fuel mixture	1.75
B3317	68-69	SCREW - accelerator pump cam retainer, on accelerator lever	1.00
B3325	68-69	SCREW - bowl vent lever retainer	1.00
B3769	68-69	SCREW - fast idle	1.25
B4077	68-69	SCREW - fuel bowl, 2.0' length, original, replated, (ea)	2.95

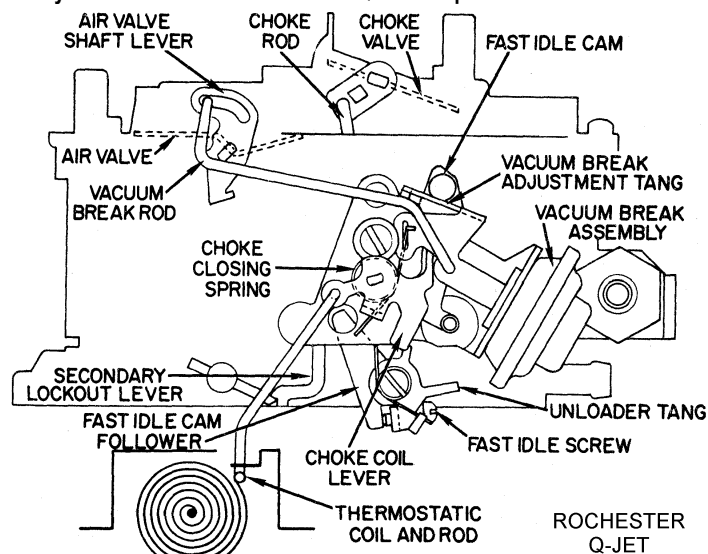
NOTE: Screw B4077 was used on Holley #3659 carburetors.

B4078	68-69	SCREW - fuel bowl, 2.5' length, original, replated, (ea)	2.95
-------	-------	--	------

NOTE: Screw B4078 was used on Holley #4055 & 4056 carburetors.

B0615	68-69	SCREW - lever to throttle shaft, RH side, (ea)	1.00
B3392	68-69	SCREW - needle & seat height adjusting	1.00
B3309	68-69	SCREW - pump discharge nozzle	1.00
B3767	68-69	SCREW SET - accelerator pump (30 cc) cover, Phillips head, 3/8' long, used on B3570 cover, (4 pc.)	3.25
B3572	68-69	SCREW SET - accelerator pump (30 cc) cover, tapered clutch head, 3/8' long (4 pc.), used on cover B3608	3.25
B3872	68-69	SCREW SET - choke flap, (2 pc.)	1.00
B3957	68-69	SCREW SET - choke pull-off retaining, (2 pc.)	1.50
B3305	68-69	SCREW SET - float bracket retaining, (2 pc.)	1.25
B3535	68-69	SCREW SET - fuel bowl, Holley #3659, current design, 2.0', (4 pc.)	4.95
B3883	68-69	SCREW SET - fuel bowl, Holley #4055, 4056, current design, 2.5', (4 pc.)	4.95
B4026	68-69	SCREW SET - metering plate to main body, Holley #3659, clutch head, (6 pc.)	3.95
B3550	68-69	SCREW SET - throttle body to carburetor main body, (5 pc.)	2.40
B3530	68-69	SCREW SET - throttle plates to shaft, (8 pc.)	4.50
B3502	68-69	SCREW SET - vacuum secondary diaphragm base to Holley #3659 carburetor body, (4 pc.)	3.45
B3500	68-69	SCREW SET - vacuum secondary diaphragm cover to base, Holley #3659, (6 pc.)	3.75
B3480	68-69	SEAL - bowl vent, rubber, snaps into bowl vent lever	1.00
B3884	68-69	SHAFT - choke flap/plate	19.95
B3321	68-69	SHAFT ASSEMBLY - throttle, w/lever, Holley #3659	49.95
B3171	68-69	SPRING - accelerator pump adjusting on lever	1.00
B3355	68-69	SPRING - accelerator pump diaphragm	1.00
B3621	68-69	SPRING - bowl vent lever, Holley #4055, 4056	1.75
B3953	68-69	SPRING - fast idle screw	1.50
B3617	68-69	SPRING - float	1.50
B3176	68-69	SPRING - fuel filter, in front bowl	1.50
B5078	68-69	SPRING - secondary diaphragm, as original, Holley #3659	2.95
B3545	68-69	SPRING - secondary diaphragm, Holley #3659, hi-perf. for quicker secondary response	2.95
A3955	68-69	STAND KIT - carburetor, elevates 2', facilitates servicing of the lower end of the carburetor, (4 pc.)	5.95
B3768	68-69	STUD - accelerator pump lever, on base plate, LH front	2.50
B3538	68-69	STUD - choke cam & cage, presses into main body, RH	7.85
B3528	68-69	TUBE - bowl vent air horn, front, short, (angle cut)	1.45
B3511	68-69	TUBE - vacuum hose on RH side, all 3x2 carbs/base 3x2 centers	2.00

Fuel System: Carburetors - Rochester Q-Jet Components & Related



C3618	75-79	BASE - choke / for hot air system, used	49.95
C3787	68-81	BUSHING SET - primary throttle shaft, Q-Jet carburetor, requires base reaming (2 pc)	6.75
C3630	75-79	CHOKE COVER - hot air type	29.95
C3794	68-69	CHOKE PULL OFF/CONTROL	16.10
C3789	70-71	CHOKE PULL OFF/CONTROL - w/large & small bracket & cam	13.95
C3650	72	CHOKE PULL OFF/CONTROL	23.00
C3651	73	CHOKE PULL OFF/CONTROL - L48 & 454	19.75
C3655	74	CHOKE PULL OFF/CONTROL - 454	15.40
C3653	74	CHOKE PULL OFF/CONTROL - L48	15.40
C3654	74	CHOKE PULL OFF/CONTROL - L82	18.80
C3658	75	CHOKE PULL OFF/CONTROL - secondary, rear	29.65
C3672	75-81	CHOKE PULL OFF - ROCHESTER Q-Jet	13.95
C3792	70	DE-ACCELERATOR VALVE - Rochester Q-Jet carburetors, 7540204/7040205 reconditioned ..	124.95
C3785	68-81	GASKET - fuel inlet to carburetor body	1.00
C3786	68-81	NUT/FITTING - fuel inlet, for Q-Jet carburetors w/stripped fuel inlet threads, (self tapping)	7.65
C3842	68-72	NUT/FITTING - fuel inlet, Rochester Q-Jet carburetor	10.65
C3839	73-81	NUT/FITTING - fuel inlet, Rochester Q-Jet carburetor.	7.35
C3889	68-69	ROD - accelerator pump / Q-Jet carburetor	6.95
C3890	70-81	ROD - accelerator pump / Q-Jet carburetor	6.95
C3622	68-74	ROD - choke pull off	12.00

Fuel System: Carburetors - Rochester Quadra Jets / Original Unrestored

Chicago Corvette Supply has the largest selection of dated Rochester Carburetors in the world. They are available used, re manufactured or restored. Prices shown below are for unrestored units.

L0126		BOOK - 'Rochester Carburetors' Everything you need to know to tune, re-build, or modify Rochester Carburetors. Information on how to select, install, and tune-up your carburetor for street or strip. Repairs, adjustments, fuel and sir requirements are included. It provides tips on choosing manifolds and fuel-supply systems in addition to complete information on emission-control systems. 176 pages with many photos and .. diagrams	24.75
C0650	68	CARBURETOR - Q-Jet, 327/300hp, manual trans #7028207 - call about available dates	CALL
C0651	68	CARBURETOR - O-Jet, 327/300hp, auto trans #7028208 - call about available dates	CALL
C0652	68	CARBURETOR - Q-Jet, 327/350hp, manual trans #7028219 - call about available dates	CALL
C0653	68	CARBURETOR - Q-Jet 427/390hp, manual trans #7028209 - call about available dates	CALL
C0654	68	CARBURETOR - Q-Jet, 427/390hp, auto trans #7028216 - call about available dates	CALL
C0656	69	CARBURETOR - Q-jet, 350/300hp, auto trans #7029202 - call about available dates	214.95
C0655	69	CARBURETOR - Q-jet, 350/300hp, manual trans #7029203 - call about available dates	395.00
C0657	69	CARBURETOR - Q-jet, 350/350hp, manual trans #7029207 - call about available dates	CALL
C0660	69	CARBURETOR - Q-jet, 350/350hp manual trans #7029207 - service dates	175.00
C0659	69	CARBURETOR - Q-Jet, 427/390hp, auto trans #7029204 - call about available dates	CALL
C0658	69	CARBURETOR - Q-Jet, 427/390hp manual trans #7029215 - call about available dates	CALL



C0664	70	CARBURETOR - Q-Jet,350/300hp auto trans #7040202 - call about available dates175.00	C0848	76	CARBURETOR-Q-jet,350/210hp, auto trans #17056210-call about available datesCALL
C0661	70E	CARBURETOR - Q-Jet, 350/300hp, manual trans #7040203 1st design - call about available dates295.00	C0850	76	CARBURETOR-Q-jet,350/210hp, auto trans w/AC #17056226-call about available dates345.00
C0663	70L	CARBURETOR-Q-jet, 350/300hp, manual trans #7040213 - call about available dates350.00	C0849	76	CARBURETOR-Q-jet,350/210hp, manual trans #17056211-call about available datesCALL
C0666	70	CARBURETOR-Q-jet, 350/300hp, manual trans California #7040503, 1st design - call about available dates375.00	C0851	77	CARBURETOR - Q-Jet,350/180hp, auto trans #17057202-call about available dates175.00
C0667	70	CARBURETOR-Q-jet, 350/300hp manual trans California #7040513 - call about available dates375.00	C0852	77	CARBURETOR - Q-Jet, 350/180hp, auto trans w/AC #17057204-call about available dates .175.00
C0668	70	CARBURETOR - Q-Jet, 350/300hp, auto trans Calif #7040502 - call about available dates 175.00	C0853	77	CARBURETOR - Q-Jet,350/180hp, auto trans. Calif #17057502-call about available dates ...CALL
C0669	70	CARBURETOR - Q-jet, 350/350hp, manual trans #7040207 - call about available datesCALL	C0854	77	CARBURETOR-Q-jet,350/180hp, auto trans w/AC, Calif. #17057504-call about available dates245.00
C0670	70	CARBURETOR - Q-jet, 350/350hp, California, manual trans #7040507 - call about available dates395.00	C0855	77	CARBURETOR-Q-jet,350/180hp, auto trans, hi-altitude #17057582-call about available datesCALL
C0672	70	CARBURETOR - Q-jet,454/390hp, auto trans #7040204 - call about available datesCALL	C0856	77	CARBURETOR-Q-Jet, 350/180hp, auto trans, w/AC, hi-altitude #17057584-call about available datesCALL
C0671	70	CARBURETOR-Q-jet, 454/390hp, manual trans #7040205 - call about available datesCALL	C0857	77	CARBURETOR - Q-Jet,350/180hp, manual trans #17057203-call about available dates175.00
C0674	70	CARBURETOR-Q-jet, 454/390hp, auto trans Calif. #7040504 - call about available dates 495.00	C0858	77	CARBURETOR - Q-Jet,350/210hp, auto trans #17057210-call about available datesCALL
C0673	70	CARBURETOR-Q-jet, 454/390hp, manual trans Calif. #7040505-call about available dates .595.00	C0859	77	CARBURETOR - Q-Jet,350/210hp, auto trans w/AC #17057228-call about available dates .295.00
C0676	71	CARBURETOR-Q-jet, 350/270hp,auto trans #7041212 - call about available dates395.00	C0860	77	CARBURETOR - Q-Jet,350/210hp, auto trans. Calif #17057510-call about available dates ...CALL
C0675	71	CARBURETOR-Q-jet, 350/270hp, manual trans #7041213 - call about available dates425.00	C0861	77	CARBURETOR - Q-Jet,350/210hp, manual trans #17057211-call about available dates .325.00
C0678	71	CARBURETOR - Q-Jet, 454/365hp auto trans #7041204 - call about available datesCALL	C0866	78	CARBURETOR - Q-Jet,350/185hp, auto trans #17058202-call about available dates175.00
C0677	71	CARBURETOR - Q-Jet, 454/365hp, manual trans #7041205-call about available datesCALL	C0867	78	CARBURETOR - Q-Jet,350/185hp, auto trans w/AC, 1st design #17058204-call about available dates175.00
C0681	72	CARBURETOR - Q-Jet, 350/200hp auto trans, #7042202-call about available dates175.00	C0868	78	CARBURETOR - Q-Jet,350/185hp, auto trans w/AC, 2nd design #17058206-call about available datesCALL
C0679	72	CARBURETOR-Q-jet, 350/200hp, manual trans #7042203-call about available dates250.00	C0869	78	CARBURETOR - Q-Jet,350/185hp, manual trans #17058203-call about available dates200.00
C0682	72	CARBURETOR-Q-jet,350/200hp, auto. trans Calif. #7042902-call about available dates .175.00	C0862	78	CARBURETOR - Q-Jet,350/175hp, auto trans, Calif #17058502-call about available dates ...CALL
C0680	72	CARBURETOR-Q-jet 350/200hp manual trans Calif. #7042903-call about available dates .250.00	C0863	78	CARBURETOR - Q-Jet,350/175hp, auto trans w/AC, Calif #17058504-call about available datesCALL
C0684	72	CARBURETOR-Q-jet, 454/270hp, auto trans #7042216 - call about available datesCALL	C0864	78	CARBURETOR - Q-Jet,350/175hp, auto trans hi-altitude #17058582-call about available datesCALL
C0683	72	CARBURETOR - Q-Jet, 454/270hp ,manual trans #7042217-call about available datesCALL	C0865	78	CARBURETOR - Q-Jet,350/175hp, auto trans w/AC, hi-altitude #17058582-call about available datesCALL
C0686	73	CARBURETOR-Q-jet, 350/190hp, auto trans #7043202-call about available dates175.00	C0870	78	CARBURETOR - Q-Jet,350/220hp, auto trans #17058210-call about available datesCALL
C0685	73	CARBURETOR-Q-jet, 350/190hp, manual trans #7043203-call about available dates175.00	C0871	78	CARBURETOR - Q-Jet,350/220hp, auto trans w/AC #17058228-call about available dates .295.00
C0688	73	CARBURETOR - Q-Jet, 350/250hp, auto trans #7043212-call about available dates325.00	C0872	78	CARBURETOR - Q-Jet,350/220hp, manual trans #17058211-call about available dates350.00
C0687	73	CARBURETOR-Q-jet, 350/250hp, manual trans #7043213-call about available dates325.00	C0891	79	CARBURETOR - Q-Jet,350/195hp, auto trans #17059202-call about available datesCALL
C0690	73	CARBURETOR-Q-jet, 454/275hp, auto trans #7043200-call about available dates175.00	C0873	79	CARBURETOR - Q-Jet,350/195hp, auto trans w/AC #17059216-call about available dates .145.00
C0689	73	CARBURETOR-Q-jet, 454/275hp, manual trans #7043201-call about available dates350.00	C0879	79	CARBURETOR - Q-Jet,350/195hp, manual trans #17059203 -call about available dates 225.00
C0692	74	CARBURETOR-Q-jet,350/195hp, auto trans #7044206-call about available dates195.00	C0874	79	CARBURETOR - Q-Jet,350/195hp, auto trans, Calif. #17059502 - call about available dates CALL
C0691	74	CARBURETOR-Q-jet, 350/195hp, manual trans #7044207-call about available dates274.95	C0876	79	CARBURETOR - Q-Jet,350/195hp, auto trans. w/AC, Calif. #17059504-call about available datesCALL
C0694	74	CARBURETOR-Q-jet, 350/250hp auto trans #7044210-call about available dates350.00	C0877	79	CARBURETOR - Q-Jet,350/195hp, auto trans hi-altitude #17059582-call about available dates295.00
C0837	74	CARBURETOR-Q-jet, 350/250hp,auto trans, Calif. #7044506-call about available dates .175.00	C0878	79	CARBURETOR - Q-Jet,350/195hp, auto trans hi-altitude w/AC #17059584-call about available datesCALL
C0693	74	CARBURETOR-Q-jet, 350/250hp manual trans #7044211-call about available dates350.00	C0880	79	CARBURETOR - Q-Jet,350/225hp, auto trans #17059210-call about available datesCALL
C0838	74	CARBURETOR-Q-jet, 350/250hp, manual trans, Calif. #7044507-call about available dates ...CALL	C0882	79	CARBURETOR - Q-Jet,350/225hp, manual trans #17059211 - call about available dates .CALL
C0696	74	CARBURETOR-Q-jet-454/270hp,auto trans #7044225-call about available dates425.00	C0881	79	CARBURETOR - Q-Jet,350/225hp, auto trans w/AC #17059228-call about available dates .325.00
C0695	74	CARBURETOR-Q-jet, 454/270hp manual trans #7044221-call about available dates475.00	C0883	80	CARBURETOR - Q-Jet,305/180hp, auto trans, Calif. #17080517-call about available dates .CALL
C0840	75	CARBURETOR-Q-jet, 350/165hp, automatic trans, #7045222-call about available dates .250.00	C0884	80	CARBURETOR - Q-Jet,350/190hp, auto trans #17080204 - call about available dates175.00
C0841	75	CARBURETOR-Q-jet, 350/165hp, manual trans, #7045223-call about available dates295.00	C0890	80	CARBURETOR - Q-Jet,350/190hp, auto trans Calif. #17080504 -call about available dates .CALL
C0842	75	CARBURETOR-Q-jet, 350/205hp,auto trans, #7045210-call about available datesCALL	C0889	80	CARBURETOR - Q-Jet,350/190hp, manual trans #17080207-call about available dates .295.00
C0843	75	CARBURETOR-Q-jet, 350/205 manual trans, #7045211-call about available datesCALL			
C0844	76	CARBURETOR - Q-Jet, 350/180hp, auto trans #17056206-call about available dates195.00			
C0846	76	CARBURETOR-Q-jet,350/180hp, auto trans, calif. #17056506-call about available dates .CALL			
C0845	76	CARBURETOR-Q-jet,350/180hp, manual trans #17056207-call about available dates295.00			
C0847	76	CARBURETOR-Q-jet,350/180hp, manual trans, calif. #17056507-call about available dates .CALL			

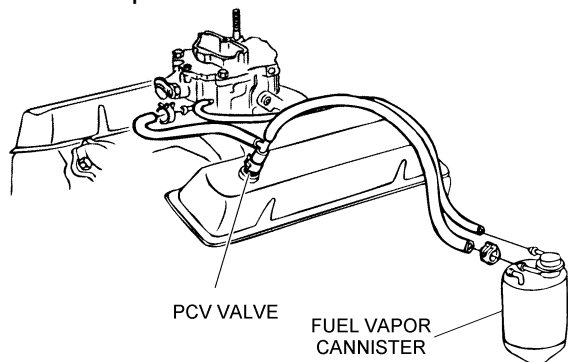
C0885 80	CARBURETOR - Q-Jet,350/230hp, auto trans #17080228 - call about available dates325.00
C0886 81	CARBURETOR - Q-Jet,350/190hp, auto trans #17081228 - call about available dates295.00
C0887 81	CARBURETOR - Q-Jet,350/190hp, auto trans, Calif. #17081218 - call about available dates295.00
C0888 81	CARBURETOR - Q-Jet,350/190hp, manual trans #17081217 -call about available dates295.00

Fuel System: Carburetors - Rochester Quadra Jets / Re manufactured

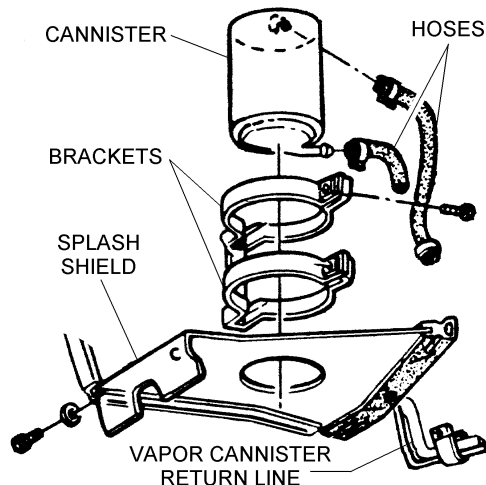
There is a core charge on all Q-Jet carburetors. All re manufactured FQ-Jet carburetors carry a 90 day warranty.

C1527 68	CARBURETOR - Q-JET / 327 re manufactured exchange209.95
C1671 69	CARBURETOR - Q-JET / 350 re manufactured exchange199.95
C1670 68-69	CARBURETOR - Q-JET / 427 re manufactured exchange219.95
C1672 70	CARBURETOR - Q-JET / 350 re manufactured exchange199.95
C1673 70	CARBURETOR - Q-JET / 454 re manufactured exchange209.95
C1674 71	CARBURETOR - Q-JET / 350 re manufactured exchange199.95
C1675 71	CARBURETOR - Q-JET / 454 re manufactured exchange209.95
C1676 72	CARBURETOR - Q-JET / 350 re manufactured exchange199.95
C1677 72	CARBURETOR - Q-JET / 454 re manufactured exchange209.95
C1536 73	CARBURETOR - Q-JET / 350 re manufactured exchange209.95
C1537 73	CARBURETOR - Q-JET / 454 re manufactured exchange209.95
C1538 74	CARBURETOR - Q-JET / 350 re manufactured exchange199.95
C1539 74	CARBURETOR - Q-JET / 454 re manufactured exchange224.95
C1583 75-77	CARBURETOR - Q-JET / 350 re manufactured exchange279.95
C1679 78-79	CARBURETOR - Q-JET / 350 L48 re manufactured exchange309.95
C1680 78-79	CARBURETOR - Q-JET / 350 L82 re manufactured exchange309.95
C1681 80	CARBURETOR - Q-JET / 350 re manufactured exchange349.95
C0606 81	CARBURETOR - Q-JET / 350 re manufactured exchange379.95

Fuel System: Fuel Evaporation Canister & Related



C3837 68-74	BOLT SET - charcoal canister bracket pinch, (pr)6.20
C4703 70-73	CANISTER - fuel vapor, (exc. sp. hi-perf.) . .54.25
C4704 74-77	CANISTER - fuel vapor76.25
C4706 78-80	CANISTER - fuel vapor69.95
C4708 80	CANISTER - fuel vapor, L-4872.85
C4709 80-81	CANISTER - fuel vapor, '80 L-8259.85
C4710 82	CANISTER - fuel vapor60.85
C1668 78-80	CHECK VALVE - fuel vapor vacuum5.40
C4705 70-74	FILTER - fuel vent & vapor canister air inlet2.65
C4702 69-74	HOSE & CLAMP KIT - vapor return line, rear . .8.80
C4701 70-77	HOSE - vapor canister to frame line6.25
C3844 70-77	LINE - gas tank vapor return, LH51.75
C3850 70-77	LINE - gas tank vapor return, LH, stainless steel99.35



C3803 78-82	LINE - gas tank gas return, RH69.00
C3805 78-82	LINE - gas tank gas return, RH, stainless steel79.00

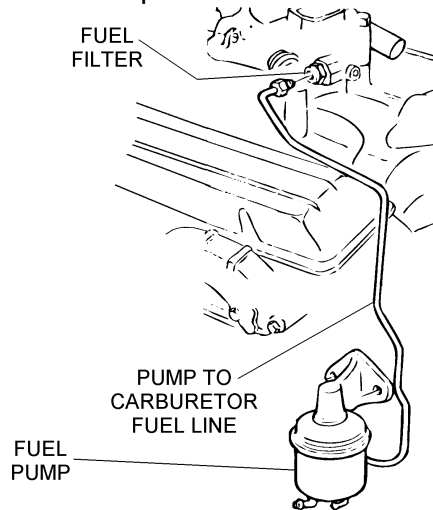
Fuel System: Fuel Filter Brackets

C3721 68-69	BRACKET - 300 & 350hp for GF 432 filter10.95
-------------	--

Fuel System: Fuel Filters

C3720 68-69	FILTER - 300/350 390hp, AC, GF43246.75
A3843 68-72	FILTER - Holley dual feed carburetor inlet, bronze, 2 required, ea4.75
C3817 68-75	FILTER - Q-jet carburetor inlet, paper3.50
C3819 76-81	FILTER - Q-jet carburetor inlet4.95
C3821 82	FILTER - fuel canister type13.50

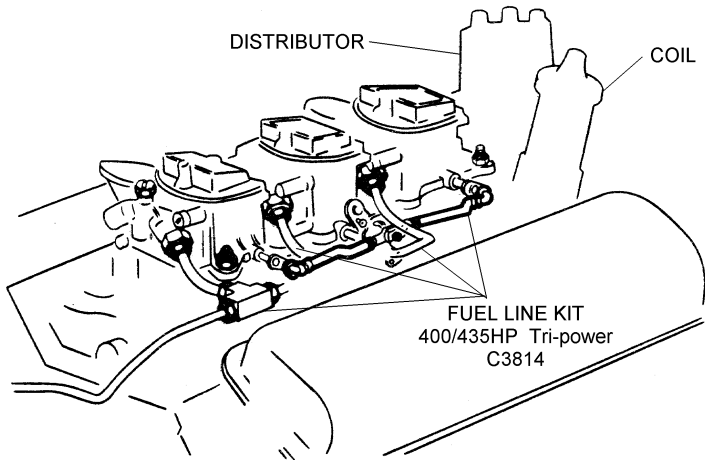
Fuel System: Fuel Lines - Pump to Carburetor & Related



Fuel lines are steel tubing w/double inverted flares and steel nuts, same as OEM. All are pre-bent into exact shape as original. Some models are chrome plated as indicated.

C3854 70-72	BRACKET - fuel line support, LT123.55
B3826 68-69	LINE KIT - fuel, L-88, 3 pc. w/special 'Y' block59.95
B3827 68-69	LINE KIT - fuel, B3826 w/o block51.95
C3802 68-69	LINE SET - fuel, 300/350hp, 3 pc. w/filter . .84.00
C3859 68-69	LINE SET - fuel, 300/350hp, 3 pc. w/GF432 filter, SS91.00
C3804 68-69	LINE SET - fuel, 300/350hp, 3 pc. w/o filter44.00
C3806 68	LINE SET - fuel, 390hp, 3 pc. w/filter84.00
C3808 68	LINE SET - fuel, 390hp, 3 pc. w/o filter44.00
C3845 68	LINE SET - fuel, 390hp, 3 pc. w/ filter, (SS)92.65
C3810 69	LINE SET - fuel, 390hp, 3 pc. w/ filter84.00
C3812 69	LINE SET - fuel, 390hp, 3 pc. w/o filter44.00
C3863 69	LINE SET - fuel, 390hp, 3 pc. w/o filter, (SS)38.80

VISIT US ON THE WEB AT
www.ChicagoCorvette.net

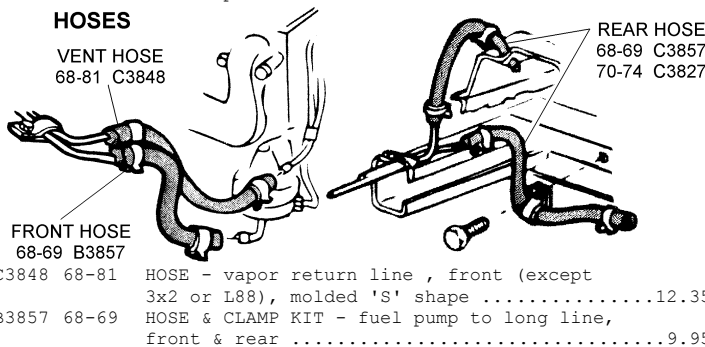


C3814	68-69	LINE SET - fuel, 400/435hp, 5 lines, 2 blocks	86.20
C3865	68-69	LINE SET - fuel, 400/435hp, 5 lines, 2 blocks, (SS)	70.00
C8731	68-69	LINE SET - fuel, C3814 w/o blocks	36.95
C3860	68-69	LINE SET - fuel, 300/350hp, 3 pieces, w/o filter, (SS)	49.00
B3879	68-69	'Y' BLOCK - fuel, 3x2 fuel line kit, 400/454hp, (2 rep.) (ea)	8.50
C3820	70-76	LINE SET - fuel, 300/350hp, L-48, L-82	29.95
C3866	70-76	LINE SET - fuel, 300/350hp, L-48, L-82, (SS)	30.00
C3822	70-72	LINE SET - fuel, LT-1, 3 pc. w/special Y block	49.25
C3867	70-72	LINE SET - fuel, LT-1, 3 pc. w/special Y block, (SS)	56.00
C3824	70-72	LINE SET - fuel, C3822 w/o block	43.10
B3821	70-72	'Y' BLOCK - fuel, LT-1	25.00
C3828	70-74	LINE SET - fuel, 454 pump to carburetor, (exc. Holley)	25.00
C3870	70-74	LINE SET - fuel, 454 pump to carburetor, (exc. Holley) (SS)	31.00
C3851	71	LINE SET - fuel, 71 LS6 (3 pc), w/'Y'	60.35
C3899	71	LINE SET - fuel, 71 LS6 (3 pc), w/o 'Y'	46.60
C3852	71-72	LINE SET - fuel, 71 LS6, 72 LS5, 3 pieces, w/special 'Y', (SS)	60.35
C3832	77-81	LINE - fuel, pump to carburetor line w/armour	37.10
C3871	77-81	LINE - fuel, pump to carburetor, (SS)	31.05
C3839	73-81	NUT/FITTING - fuel inlet, Rochester Q-Jet carburetor.	7.35

Fuel System: Fuel Lines - Tank to Pump

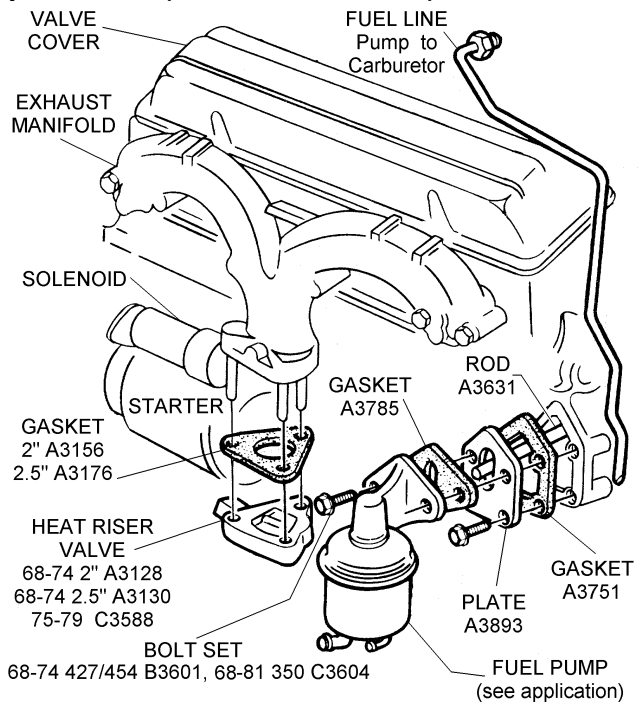
B1131	68	BOLT - rear gas line clamp, 'E' head mark	7.85
C3830	69-82	BOLT SET - brake & fuel line clips	4.00
C3856	70-82	CLAMP - fuel hose 'green'	1.00
C3858	68-82	CLAMP - vapor hose 'red'	1.00
B5076	68-82	CLAMP SET - fuel line, (2 ea. 3/8", 1/2", 5/8")	5.45
C1178	68	CLIP KIT - brake & fuel lines, w/o fuel return line, (18 pc.)	10.35
C1157	68-72	CLIP KIT - brake & fuel lines, w/return line, w/Q-jet carb.	15.55
C1159	73	CLIP KIT - brake & fuel line	14.00
C1160	74-82	CLIP KIT - brake & fuel line	24.15
C3815	69-72	CLIP KIT - brake & fuel line, w/o gas return line, all w/Holley carbs	15.55
C3823	68	CLIP SET - fuel line to frame, yellow zinc dichromate, (7 pc.)	13.45
C3825	68	CLIP SET - fuel and vapor line, yellow zinc dichromate	15.70
C3846	70-82	HOSE - pump to main fuel line flex, molded 'S' shape	13.45

HOSES



C3827	70-74	HOSE & CLAMP KIT - rear flex for fuel, w/clamp	7.30
C3829	69-74	HOSE & CLAMP KIT - rear vapor return line	9.70
B3865	68-69	HOSE & TOWER CLAMPS - rubber, gas tank sending unit to line	10.50
C3836	68	LINE - gas tank fuel return line, RH	69.00
C3831	68	LINE - gas tank fuel return line, RH, stainless steel	79.00
C3834	68	LINE - gas tank to fuel pump	69.00
C3895	68	LINE - gas tank to fuel pump, stainless steel	79.00
C3838	69	LINE - gas tank to pump	69.00
C3833	69	LINE - gas tank to pump, stainless steel	79.00
C3857	69-77	LINE - gas return, RH	69.95
C3849	69-77	LINE - gas return, RH, stainless steel	69.00
C3844	70-77	LINE - gas tank vent, LH	51.75
C3850	70-77	LINE - gas tank vapor return, LH, stainless steel	99.35
C3840	70-77	LINE - gas tank to pump	69.95
C3897	70-77	LINE - tank to pump line, stainless steel	99.35
C3807	78-82	LINE - gas tank fuel vapor return, LH	69.00
C3809	78-82	LINE - gas tank fuel vapor return, RH, stainless steel	79.00
C3803	78-82	LINE - gas tank gas return, RH	69.00
C3805	78-82	LINE - gas tank gas return, RH, stainless steel	79.00
C3800	78-82	LINE - gas tank to fuel pump	39.95
C3801	78-82	LINE - gas tank to fuel pump, stainless steel	69.00

Fuel System: Fuel Pumps - New AC & Related Components



A3792	68-71	BOLT SET - fuel pump to block, 327/350, (2 pc.)	2.95
A3809	68-71	BOLT SET - fuel pump to block, 327/350, 'LF' hm, (2 pc.)	4.35
C3604	72-81	BOLT SET - fuel pump to block, 350, (2 pc.)	8.75
A3884	68-81	BOLT SET - fuel pump mount plate, (pr)	3.50
B3601	68-74	BOLT SET - fuel pump to block, 427/454, (2 pc.)	4.55
A3785	68-81	GASKET - fuel pump to plate	2.95
A3751	68-81	GASKET - fuel pump plate to block	2.95
A3893	68-81	PLATE - fuel pump mount	10.90
C3602	68-72	PUMP - fuel, 68/69 327 OR 350, 70/2 LT1	36.20
C3608	70-76	PUMP - fuel, 350 (exc. 70-72 LT1)	33.15
C3612	77-81	PUMP - fuel, 350, all	36.05
C3614	82	PUMP - fuel, 350, all	81.20
B3622	68-69	PUMP - fuel, 427 390/400/435 hp	36.20
C3610	70-74	PUMP - fuel, 454, all	33.15
A3631	68-81	PUSH ROD - fuel pump, in block, all	14.10
C3605	82	RELAY - fuel pump	23.95

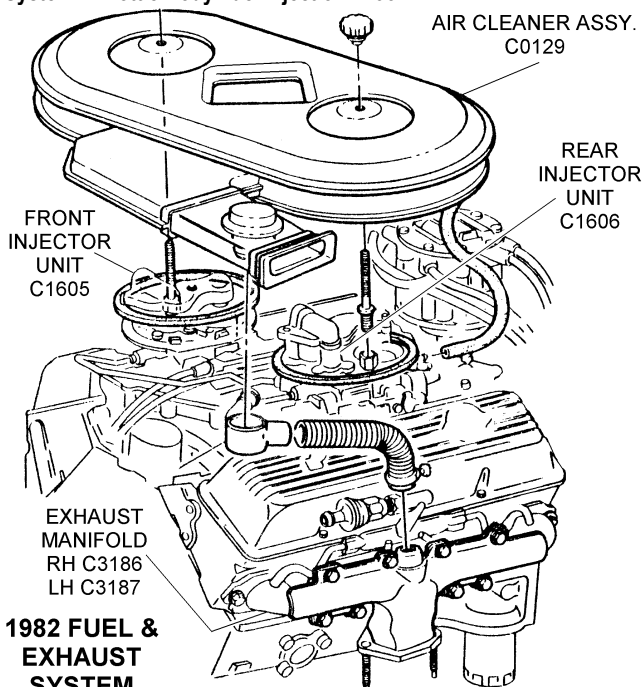
Fuel System: Fuel Pumps - Restored or New AC Originals

C3600	68-69	FUEL PUMP - ALL 327/350 ENGINES W/AC LOGO & 40658 STAMPING	186.20
C3603	70-71	FUEL PUMP - ALL 350/LT1 ENGINES AC LOGO WITH 40709 STAMPING	124.15
B3603	68-69	FUEL PUMP - ALL 427/400-435HP & L88 ENGINES W/AC LOGO & 40482 STAMPING	145.00

C3601 68-69	FUEL PUMP - ALL 427/390HP ENGINES W/AC LOGO & 40659 STAMPING	169.00
C3623 70-74	FUEL PUMP - ALL 454 ENGINES W/AC LOGO & 40770 STAMPING	152.95

B2892 68-74	BOLT - cylinder head, short, 'M' head mark, (12 req.) (ea)	8.60
B2895 68-74	BOLT KIT - cylinder head, 'M' head mark, (24 pc.)	78.45

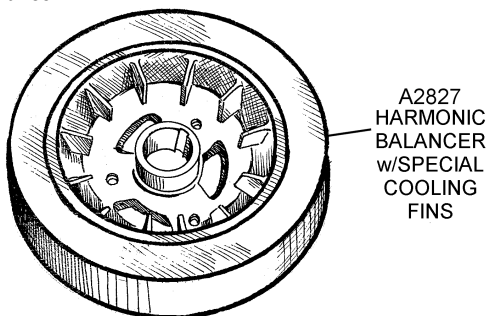
Fuel System: Throttle Body Fuel Injection - 1982



1982 FUEL & EXHAUST SYSTEM

C1605 82	INJECTOR UNIT - throttle body, w/re manufactured injector, front	324.95
C1606 82	INJECTOR UNIT - throttle body, w/re manufactured injector, rear	324.95
C1607 82	INJECTOR UNIT KIT - throttle body, includes reconditioned front & rear TI units. eliminates idle speed fluctuation, poor gas mileage and power loss, pre-calibrated and balanced for easy bolt-on installation (exchange)	599.95

Harmonic Balancer



A2803 68-82	BOLT SET - harmonic balancer mounting, 327/350 w/sp. hi-perf. (or crank w/threaded end) (3 pc.)	11.65
B2805 68-69	BOLT SET - 427 harmonic balancer pulley attaching, 'TR' HM, (3 pc.)	6.00
B2807 68-74	BOLT SET - harmonic balancer mounting, 427/454, (3 pc.)	10.85
C2809 70-74	BOLT SET - 454 harmonic balancer pulley attaching, 'TR' HM, (3 pc.)	5.65
A2825 68	HARMONIC BALANCER - 327, w/ F.I., hi-perf, (GM repl.)	171.25
A2827 68	HARMONIC BALANCER - 327/350hp, finned	335.00
C2819 69-71	HARMONIC BALANCER - 350 exc. hp, & special hi-performance	96.25
C2824 72-81	HARMONIC BALANCER - 350, standard	82.80
B2818 68-69	HARMONIC BALANCER - 427, w/o special hi-perf	187.75
B2819 68-69	HARMONIC BALANCER - 427, w/special hi-perf	216.40
C2822 71	HARMONIC BALANCER - 454, w/sp. hi-perf.	89.95
C2845 69-80	HARMONIC BALANCER - hi-perf., 8", reconditioned	103.45

Heads - 427/454

B2890 68-74	BOLT - cylinder head, long, 'M' head mark, (12 req.) (ea)	8.60
-------------	---	------

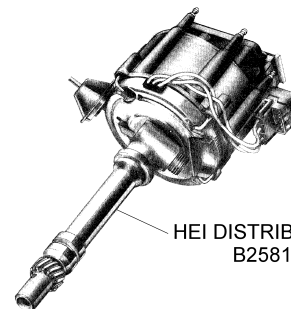
Ignition System

Ignition: Coils

All standard coils are original Delco coils, restored to show quality w/correct embossed numbers installed.

B5441 68-74	BOLT SET - coil bracket to intake, 'E' head mark, (pr)	6.25
B2541 68-74	BOLT - coil bracket to intake, w/external tooth captured lock washer, 'anchor' HM, (ea)	2.25
B5482 68-74	BRACKET - coil mounting, w/o 3x2	17.95
B5453 68-69	BRACKET - coil mounting, w/3x2	22.40
B2894 70-74	CAPACITOR - on coil bracket, incl. bracket	11.95
C2596 68-74	COIL - standard ignition, 327 or 350/200hp, #1115270	83.95
B2591 68	COIL - TI, early 327/350hp, #1115207	145.95
C2597 68-71	COIL - TI, '68 327/350hp, '69 350/350hp, '70 350/370/390hp, '71 330hp, #1115272	145.95
B2599 68-71	COIL - TI, 1968-69 427, 71 454, #1115263	145.95
C2598 68-74	COIL - standard ignition 427/454 #1115287	83.75
A2508 68-74	COIL - standard ignition (replacement)	28.00
B5400 68	SCREW SET - coil bracket mounting, 'RBW', head mark, (pr)	9.00

Ignition: Distributor - 1968-74 Tach Drive - New



HEI DISTRIBUTOR B2581

B2603 68-74	DISTRIBUTOR - tach drive, electronic ignition, Hi-Pref with single wire lead / w/cap & rotor - CALL	399.95
B2537 68E	DISTRIBUTOR - tach drive, 427, w/o TI, w/special oil galley notch, as original	895.00
B2579 68-74	DISTRIBUTOR - tach drive, hi-performance, w/new Delco cap & rotor	359.95
B2581 68-74	DISTRIBUTOR - HEI w/tach drive	349.95

Finally there's a High-Energy ignition distributor with manual tach drive for pre-1975 Corvettes! (Part #B2581) The built in coil of High Tech Innovations' HEI Distributor, delivers a hotter spark than the original coil, producing more power, higher mileage, easier starts, and improved reliability. This distributor features a hardened and ground main shaft and a tachometer cross gear with needle bearings and stainless steel coupling. Available for 1962-74 Corvettes with "327/350/427/454" engines, this distributor installs quickly with standard tools and is warranted. (Specify engine and horse power when ordering.)

B2521 68E	DISTRIBUTOR - tach drive, 427, w/transistorized ignition, w/special oil galley notch, as original, new	995.00
A2522 68-74	DISTRIBUTOR - tach drive, standard, w/new cap & rotor, 327/350	379.95
B2504 68-71	DISTRIBUTOR - tach drive, transistorized ignition, new	695.00
A2446 68-74	DISTRIBUTOR - tach drive, new w/Pertronix Ignitor II ignition system 327/350/427/454	519.00

Ignition: Distributor - 1968-74 Tach Drive - Rebuild Service

B2501 68-71	REBUILD SERVICE - tach drive distributor, transistorized ignition	135.00
-------------	---	--------

NOTE: Rebuild Service B2501 includes replacement of lower & upper bearings, new grease seals, cross gear, coupler set, etc. as required.

A2526 68-74	REBUILD SERVICE - distributor (exchange)	139.95
A2496 68-74	REBUILD SERVICE - tach drive distributor, 'Super' rebuild service	200.00

NOTE: Rebuild Service A2496 includes hardened and ground main shaft, cross gear shaft, cross gear assembly, upper & lower bronze bushings. Lifetime warranty.

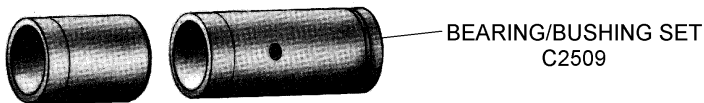
Ignition: Distributor - 1968-74 Tach Drive - Rebuilt/Reconditioned

All prices on rebuilt distributors are outright. No exchange required.

B2508 68-71	DISTRIBUTOR - tach drive, transistorized ignition recon., (w/o exch.)	795.00
B2507 68-74	DISTRIBUTOR - tach drive, hi-perf., reconditioned, (w/o exch.)	279.95
A2562 68-74	DISTRIBUTOR - tach drive, standard reconditioned, (w/o exch.)	279.95

Ignition: Distributor - 1975-82 HEI & Related

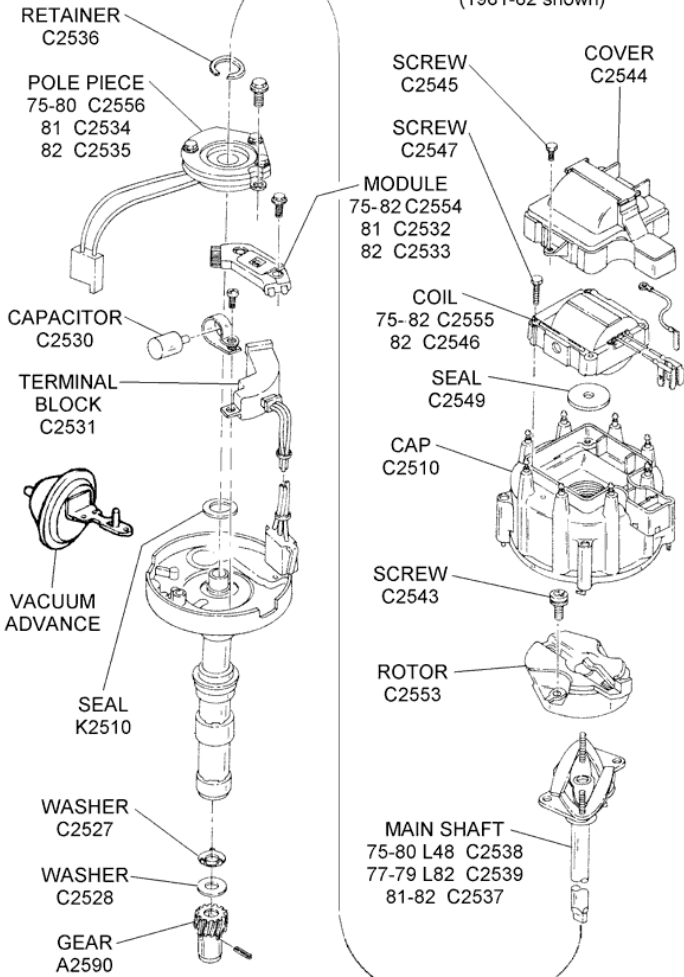
C2529 81-82 BLOCK - distributor terminal, module to elec. package24.25



BEARING/BUSHING SET
C2509

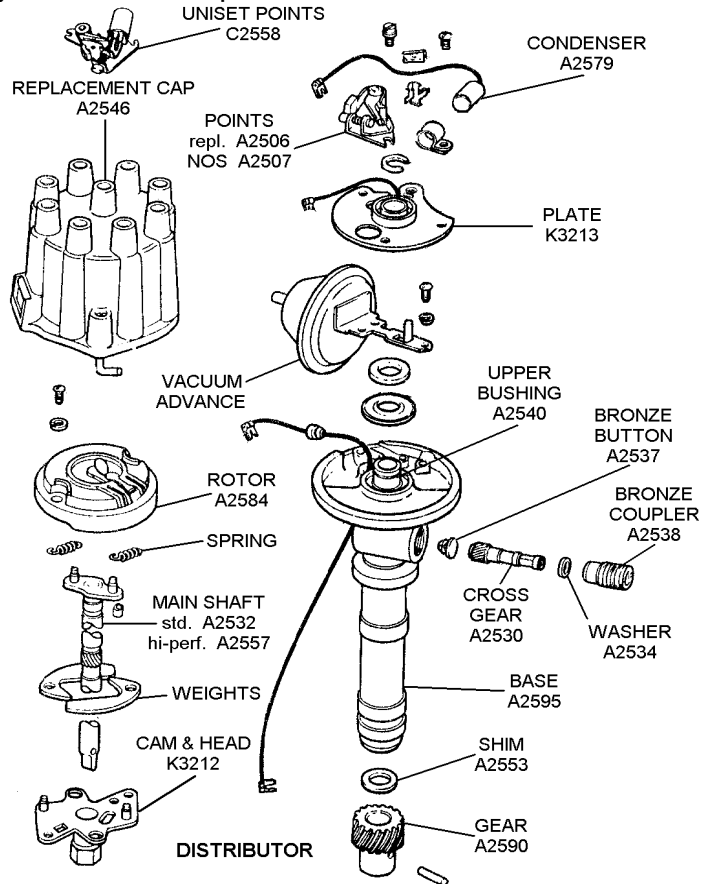
C2509 75-82 BEARING/BUSHING SET - HEI distributor, upper & lower, bronze23.95
 C2531 75-82 BLOCK & CAPACITOR - distributor terminal15.40
 C2510 75-82 CAP - distributor, HEI11.50
 C2530 75-80 CAPACITOR - distributor17.00
 C2555 75-81 COIL - distributor29.95
 C2546 82 COIL - distributor64.95
 C2544 75-82 COVER - distributor cap9.70

1975-82 HEI DISTRIBUTOR
(1981-82 shown)



C2551 75-82 DISTRIBUTOR - re manufactured exchange129.95
 A2547 75-82 GASKET - distributor to intake2.95
 A2590 75-82 GEAR - distributor, lower19.95
 C2554 75-80 MODULE - distributor29.95
 C2532 81 MODULE - distributor44.95
 C2533 82 MODULE - distributor79.95
 C2556 75-80 POLE PIECE - pick-up coil, magnetic39.95
 C2534 81 POLE PIECE - pick-up coil, magnetic32.50
 C2535 82 POLE PIECE - pick-up coil, magnetic44.95
 C2536 75-82 RETAINER - distributor pole piece4.65
 C2508 75-82 RING - HEI spark plug wire separator cap retainer7.15
 C2553 75-82 ROTOR - HEI distributor8.75
 C2547 75-82 SCREW - ignition coil mounting1.30
 C2543 75-82 SCREW - distributor rotor1.50
 C2545 75-82 SCREW - distributor cap cover2.30
 K2510 75-82 SEAL - distributor housing1.25
 C2549 75-82 SEAL - under coil9.75
 C2516 75-82 SHAFT - HEI distributor32.00
 C2512 75-82 SHIM PACK - HEI distributor lower gear5.85
 C2540 75-82 SPRING & WEIGHT KIT - distributor10.00

Ignition: Distributor Components - Tach Drive & Related



A2474 68-74 ADAPTER - distributor for tachometer cable, eliminates kinks in cable69.95
NOTE: Adapter A2474 is filled with a grease fitting to lubricate both the adapter and the tach drive gear.

A2549 68-74 BRACKET - condenser1.50
 A2540 68-74 BUSHING - distributor main shaft, upper, w/special notch15.75
 A2541 68-74 BUSHING - distributor main shaft, lower10.40
 A2537 68-74 BUTTON - cross gear, installs in distributor housing behind cross gear, keeps gear from backing-up, bronze5.00
 A2410 68-74 BUTTON - cross gear, installs in distributor housing behind cross gear, keeps gear from backing-up, nylon2.50
 K3212 68-74 CAM & HEAD - distributor shaft (point opening cam w/weight support plate)32.95
 A2525 68-74 CAP - distributor, heavy duty, NOS Delco D308, red, copper contacts39.95
 A2546 68-74 CAP - distributor, replacement13.00
 A2478 68-74 CAP & ROTOR KIT - distributor, (2 pc.)17.75
 A2561 68-74 CLAMP & BOLT - distributor hold-down9.85
 A2579 68-74 CONDENSER - distributor4.65
 A2568 68-74 CONDENSER - distributor, NOS Delco #1932004 w/logo7.95
 A2538 68-74 COUPLER - tach drive distributor cross gear, bronze19.95
 A2530 68-74 CROSS GEAR - tach drive distributor29.95
 A0992 68-74 ELECTRONIC IGNITION CONVERSION SYSTEM Say

goodbye to Point-Type Ignition... Without replacing distributor, modifying harness or compromising appearance! The Break Less SE ignition kit is designed to convert 1968-74 GM V8 engines, originally equipped with breaker points and window-style distributor caps (single or dual point), to solid-state electronic ignition. Unlike competitive systems, this is a single wire system. No additional wires protrude from the distributor, only the single, original point wire. The result is a state-of-the-art ignition with a totally stock look. Includes step by step instructions. 3 year warranty. Made in USA. * Single wire operation. * No Chance of mis-wiring your distributor and damaging the module. * Auto shut off feature. * Hall Effect rotary-vane sensor * Over voltage protected * Operates down to 6 volts for cold weather starting. * Can be installed with distributor remaining in car. * Maintenance Free * Legal for use on emission controlled vehicles. *We recommend use of your original factory wiring, window-type distributor and stock coil.169.50

A2547 68-74	GASKET - distributor to intake	2.95
A2565 68-74	GEAR & COUPLER KIT - includes OEM cross gear, coupler, thrust washer & bronze button, (4 pc.)	52.95
A2590 68-74	GEAR - lower distributor drive	19.95
A2557 68-74	GEAR & COUPLER SET - cross gear, improved roller bearing design action & special hardened surfaces, prolongs life, stock appearance	78.30
A2462 68-74	GROUND WIRE W/TERMINAL - distributor point plate	3.95
A2595 68-74	HOUSING/BASE - tach drive distributor, w/327	199.95
B2513 68E	HOUSING/BASE - distributor, w/bushings, 427, w/special galley notch	695.00
A2384 68-74	ID BANDS - distributor, ID bands, dated w/part numbers, 100's of originals in stock or custom made	30.25
C0043 70-74	LEAD WIRE - distributor to coil, (in 1970 distributors #1111464, 1112020, 1112021, 1112250, 1112251 only)	12.75
A9917 68-70	LEAD WIRE - distributor to coil, (in 1970 distributors #1111490, 1111493 only)	9.00
A2636 68-74	LUBRICANT - point opening cam	3.95
A2551 68-74	LUBRICATOR KIT - point opening cam, (retainer w/wick)	10.35
A2532 68-74	MAIN SHAFT - tach drive distributor, standard	59.95
A2559 68-74	MAIN SHAFT - tach drive distributor, hi-perf	59.95
C2590 81-82	MODULE - HEI distributor, by Accel	54.95

NOTE: Module C2590 is legal in 50 states. These modules are designed to fit stock and modified distributors. They feature solid state electronics and provide high coil output and superior reliability. Dwell control circuit ensures long, consistent coil charging and current control circuit protects against coil overheating. Resists false triggering from RFI of high output coils.

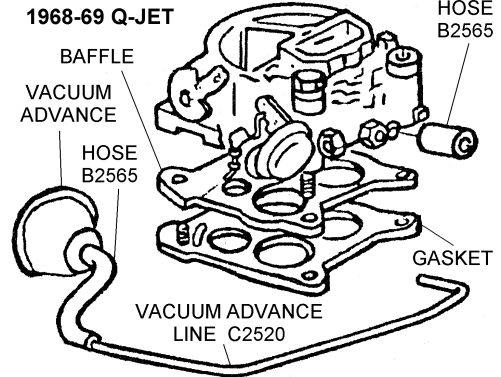
K3213 68-74	PLATE - distributor, that points & condenser mount to	24.95
A2506 68-74	POINTS - distributor, (replacement)	7.00
A2507 68-74	POINTS - heavy duty, NOS Delco, D112P/D106hp, w/logo	22.95
A2509 68-74	POINTS - distributor, NOS Delco D106P w/logo	14.95
A2533 68-74	POINTS & CONDENSER KIT - NOS Delco, (B2509 & A2568)	19.95
C2521 68-74	POINTS & CONDENSER SET - 1 pc. assembly	7.95
A2412 68-74	REPAIR KIT - Hi-Perf / tach drive distributor 5pc, cross gear, hi perf main shaft, cross gear washer, coupler & button / 350-450hp	99.95
A2413 68-74	REPAIR KIT - Standard / tach drive distributor 5pc, cross gear, standard main shaft, cross gear washer, coupler & button / 250-300hp	99.95
A2437 68-74	REBUILD KIT/TACH DRIVE DISTRIBUTOR - coupler, cross gear, thrust washer & button / button may not be required, 4pc	49.95
C2552 68-74	REBUILD KIT - tach drive distributor (w/cross gear, bushings, installation tools)	55.00
A2566 68-74	REPAIR KIT - upper distributor, includes plate seal, felt wick, sleeve on shaft cam plate	6.75
A2584 68-74	ROTOR - distributor	6.00
A2589 68-74	ROTOR - distributor, NOS, black, GM #D409	13.95
C2550 68-74	SCREW - cross gear set	1.00
A2480 68-74	SCREW - ignition condenser	1.00
A2598 68-82	SCREW - distributor, vacuum advance	1.00
A2598 68-82	SCREW - distributor, vacuum advance	1.00
A2479 68-74	SCREW KIT - ignition points, (2 pc.)	1.80
C2503 70-74	SHIELD KIT - covers over points & condenser to block radio interference, NOS, includes: 2 screws & original sticker	44.95
A2553 68-74	SHIM PACK - between housing & bottom gear, (4 pc.)	5.60
A2554 68-74	SMALL PARTS KIT - distributor	7.80
A2545 68-74	SPRING & WEIGHT KIT - (2 of each)	14.95
A2556 68-74	TOOL - threaded drill guide, tach drive distributor	8.75
A2555 68-74	TOOL - tap guide insert, set screw, tach drive distributor	5.95
A2550 68-74	TOOL - distributor bushing installation	9.25
A2477 68-74	TUNE-UP KIT - cap, rotor, points & condenser	23.00
A2429 68-69	VACUUM ADVANCE / DISTRIBUTOR - GM #1116201, for TI & non TI distributors #1111438, 1111441, 1111475, 1111491, 1111296 & 1111928	41.40
C2780 69-70	VACUUM ADVANCE / DISTRIBUTOR - GM #1115357, for distributors 1111490 & 1112020	49.95
B2529 70	VACUUM ADVANCE / DISTRIBUTOR - GM #1115360 for #1111464, 1111493, 1111496 & 1112021 distributors	41.40
C2781 71-72	VACUUM ADVANCE / DISTRIBUTOR - GM #1973436, for distributors 1112051 & 1112169	59.95

C2783 70-72	VACUUM ADVANCE / DISTRIBUTOR - GM #1973437, 1111491, 350/350hp, 1112050, 1971 350/270hp or 1112038, 350/330hp, 1972 1112101, 1112167 350/255hp, 1112165 350/200 hp	69.95
C2784 71	VACUUM ADVANCE / DISTRIBUTOR - GM #1976439, for distributor 1112053 454/425hp	CALL
C2785 73	VACUUM ADVANCE / DISTRIBUTOR - GM #1116212, for distributor 1112114 454/245hp	69.95
C2786 73-74	VACUUM ADVANCE / DISTRIBUTOR - GM #1973446, 1973 1112098 350/190hp, 1974 1112247, 1112544 350/195hp	49.95
C2782 73-74	VACUUM ADVANCE - GM #1973448 for distributor 1112150 350/250hp L82	49.95
A2586 68-74	VACUUM ADVANCE - distributor, standard up to 300hp, repl.	14.00
B2585 68-74	VACUUM ADVANCE - distributor, all w/hi-perf., repl.	14.00
B2491 68	VACUUM ADVANCE - distributor, 327/300hp	20.75
C2518 76	VACUUM ADVANCE - distributor, L82 w/auto	14.75
C2517 75-77	VACUUM ADVANCE - distributor, L48, exc. Calif.	15.55
C2522 76-77	VACUUM ADVANCE - distributor, L82 or Calif.	14.75
C2524 78	VACUUM ADVANCE - distributor, L48 w/manual trans.	14.75
C2523 78-80	VACUUM ADVANCE - distributor, exc. L82, 78 auto	14.75
C2525 78-80	VACUUM ADVANCE - distributor, 78-79 L82 or w/Calif.	14.75
C2526 80	VACUUM ADVANCE - distributor, L82 w/auto	14.75
C2527 75-82	WASHER - distributor lower gear, tang type	1.35
C2528 75-82	WASHER - distributor lower gear	1.90
A2534 68-74	WASHER - tach drive cross gear, (ea)	1.75
B2560 68-71	WASHER/BUSHING - TI distributor, mounts under magnetic pick-up	4.95

Ignition: Distributor Components - Vacuum Advance Lines

B2582 68-74	CLIP/RETAINER - vacuum advance line, on intake	5.50
B3650 68-69	HOSE & 'T' KIT - 3x2 vacuum lines between carburetors	4.50
B2565 68-82	HOSE - vacuum advance, w/white stripe 7'	3.50

1968-69 Q-JET



C2520 68-69	LINE - vacuum advance, 300/350/390hp	14.00
C2519 68-69	LINE - vacuum advance, 400/435hp	22.10
C2542 71	LINE - vacuum advance, LT1, 454/365/460hp TCS	27.95

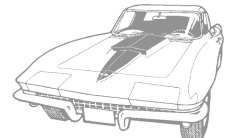
ORDER BY PHONE:

1-800-872-2446



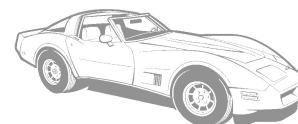
ORDER BY FAX:

708-458-2662



TECHNICAL QUESTIONS:

708-458-2500



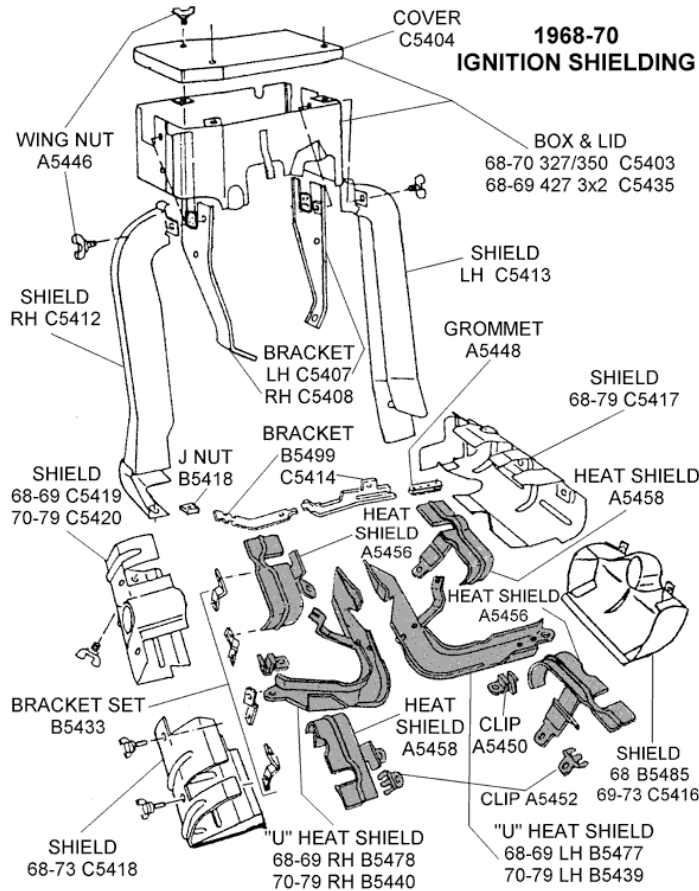
CUSTOMER SERVICE:

708-458-6577

QUESTIONS ABOUT YOUR ORDER:

708-458-2500

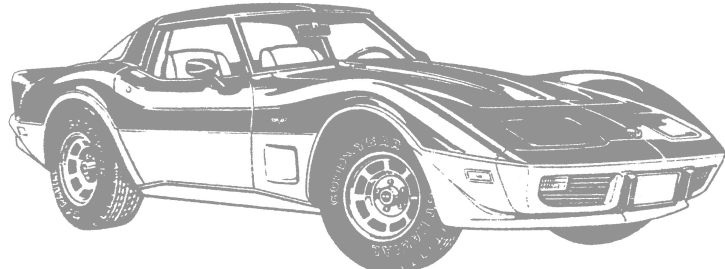
Ignition: Radio Ignition Shielding - 327/350 Engine



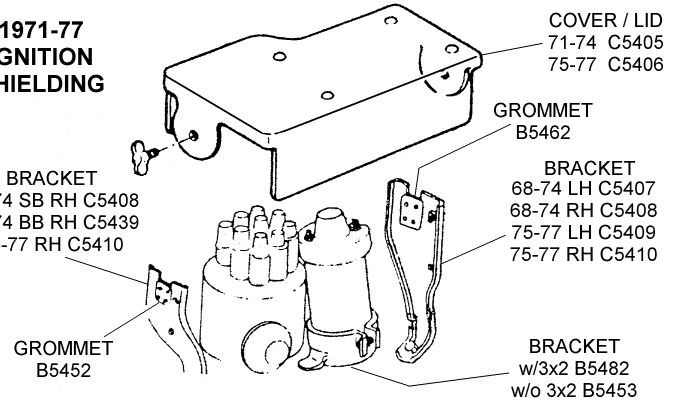
NOTE: Shaded parts are not included in the Ignition Shielding Kit. Parts not included are the spark plug wires, spark plug heat shields and clips.

A5449	68-82	BOLT SET - 4 heat shields above spark plugs 6pc	5.10
C5403	68-70	BOX & LID - distributor cover	77.60
B5482	68-74	BRACKET - coil mounting, w/o 3x2	17.95
K0168	68-79	BRACKET - lower inner shields, LH	3.50
K0170	68-79	BRACKET - lower outer shields, RH	3.95
K0169	68-79	BRACKET - lower inner shields, straight	4.55
C5414	68-77	BRACKET - rear lower ignition support, LH	10.20
C5407	68-74	BRACKET - top ignition shield, LH	26.25
C5408	68-74	BRACKET - top ignition shield, RH	23.50
C5409	75-77	BRACKET - top ignition shield, LH	16.90
C5410	75-77	BRACKET - top ignition shield, RH	16.90
B5433	68-70E	BRACKET KIT - lower horizontal ignition shielding, (8 pc.)	29.30
B5434	68-70E	BRACKET KIT - lower horizontal ignition shielding, stainless steel, (8 pc.)	30.00
C5426	73-79	BRACKET SET - spark plug shielding, stainless steel, (4 pc.)	18.65
C5411	70L-79	BRACKET SET - rear lower ignition shield, (4 pc.)	5.50
A5450	68-82	CLIP/SUPPORT - spark plug wire, on oil pan, (2 req.) (ea)	4.20
A5452	68-74	CLIP/SUPPORT - spark plug wire, on block, (2 req.) (ea)	4.25
C5400	75-82	CLIP/SUPPORT - spark plug wire on block, right rear	4.00
C5415	77-82	COVER - ignition shielding top, (black plastic)	79.95
C5404	68-70E	COVER/LID - distributor top shield	28.45

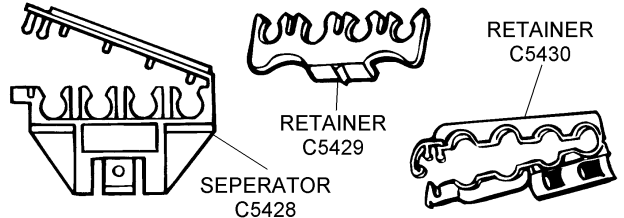
NOTE: Cover/Lid C5404 was used in 1970 through approx. serial #13000.



1971-77
IGNITION
SHIELDING



C5405	70L-74	COVER/LID - distributor top shield, (show quality)	59.15
C5406	75-77	COVER/LID - distributor top shield	49.00
C5427	78-82	COVER/LID - ignition shield top, (chrome)	49.80
A5448	68-74	GROMMET - spark plug wire, (oval) (ea)	2.50
B5462	68-74	GROMMET - spark plug wire, (square)	4.90
B5457	68-70E	GROMMET - rear top shield	4.50
C5440	75-77	GROMMET - spark plug wires, square for 8mm wire	8.09
B5418	68-74	NUT - ignition shield, RH vertical, 'J' type	1.30



C5429	76-82	RETAINER - spark plug wire, 4 wire, slip on	7.25
C5430	76-82	RETAINER - spark plug wire, 4 wire, slip on, w/lock top	1.00
C5428	77-79	RETAINER - spark plug wires, 4 wire slip-on w/lock	3.00
B5400	68	SCREW SET - coil bracket mounting, 'RBW', head mark, (pr)	9.00
B5477	68-79	SHIELD - heat, spark plug wires, LH lower block, 'U' boomerang, for #1 & #3 spark plug wires	52.75
B5440	70-79	SHIELD - heat, spark plug wires, RH lower block, 'U' boomerang (68-69 repl.), for #2 & #4 spark plug wires	52.75
A5456	68-79	SHIELD - heat, spark plugs, RH rear	12.00
A5458	68-79	SHIELD - heat, spark plugs, 68-82 RH front & 68-76 LH rear	12.00
C5449	68-76	SHIELD - heat, spark plugs, front w/hole, LH	12.95
C5413	68-77	SHIELD - vertical ignition, LH	60.30
C5412	68-77	SHIELD - vertical ignition, RH	60.30
B5485	68	SHIELD - lower ignition, LH, front	34.35
C5418	69-73	SHIELD - lower ignition, RH, front	43.45
B5478	68-69	SHIELD - heat, spark plug wires, RH lower block, 'U' boomerang for #2 & #4 spark plug wires	52.75
C5417	68-79	SHIELD - lower ignition, LH, rear	47.10
C5419	68-69	SHIELD - lower ignition, RH, rear	47.10
C5420	70-79	SHIELD - lower ignition, RH, rear	37.20
C5416	69-74	SHIELD - lower ignition, LH, front	51.80
C5436	68-70	SHIELD - top shield, lower box w/clip for distributor	79.95

NOTE: Ignition shielding kits do not include spark plug or spark plug wire (on lower block) heat shield shields. See items on shielding illustration.

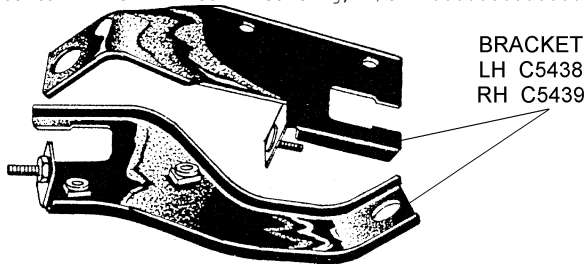
C5421	68-69	SHIELD KIT - heat, spark plug & wires	152.00
C5422	70-75	SHIELD KIT - heat, spark plug & wires	CALL

NOTE: Spark plug & wire heat shield kits include spark plug heat shields, "U" heat shields and wire clips as required. C5421 & C5422 are not included in ignition shielding kits C5401, C5402 or C5433.

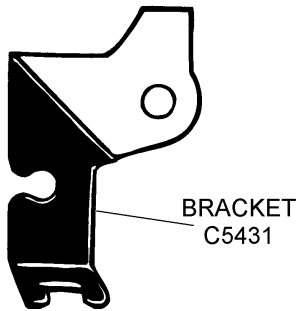
C5445	68	SHIELD KIT - lower (4 pc) ignition set, w/brackets & wing nuts	192.35
C5446	69-70E	SHIELD KIT - lower (4 pc) ignition set, w/brackets & wing nuts	159.95
C5444	70L-73	SHIELD KIT - lower (4 pc) ignition set, w/brackets & wing nuts	98.75
B5499	68-77	SUPPORT - rear, spark plug wires, mounts to block, RH lower	2.80
C2994	78-82	TIE STRAP - top shield to hood cable, (2 req.) (ea)	1.50
A5446	68-79	WING NUT - ignition shield, (ea)	1.25

Ignition: Radio Ignition Shielding - 427/454 Engine

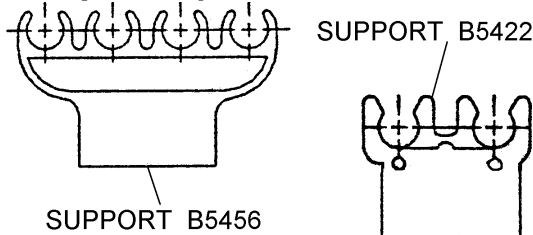
B5441	68-74	BOLT SET - coil bracket, 'E' hm	6.25
C5434	68-70	BOX & COVER - distributor top w/o 3x2	91.70
C5435	68-69	BOX & COVER - distributor top w/3x2	116.50
C5442	68-70	BOX/SHIELD - top shield lower box for distrib., 1x4 w/clip installed	88.35
C5443	68-69	BOX/SHIELD - top shield lower box for distrib., 3x2 w/clip installed	95.15
B5482	68-74	BRACKET - coil mounting, w/o 3x2	17.95
B5453	68-69	BRACKET - coil mounting, w/3x2	22.40



C5438	68-74	BRACKET - top ignition shield, LH	15.55
C5439	68-74	BRACKET - top ignition shield, RH	15.55



C5431	69L-74	BRACKET - spark plug wire, RH, w/427-454, bolts to RH outer valve cover bolt, stamped steel, rubberized coating	16.25
A5450	68-82	CLIP/SUPPORT - spark plug wire, on oil pan, (2 req.) (ea)	4.20
A5452	68-74	CLIP/SUPPORT - spark plug wire, on block, (2 req.) (ea)	4.25
C5404	68-70E	COVER/LID - distributor top shield	28.45
C5405	70L-74	COVER/LID - distributor top shield, (show quality)	59.15
B5457	68-69	GROMMET - 427 top shield rear, (round) (ea)	4.50
B5462	68-74	GROMMET - spark plug wire, (square) (ea)	4.90
B5490	68-74	NUT SET - spark plug wires to bracket, grounding	1.20
B5452	68-74	SCREW - coil bracket to secure coil, 427/454	1.30
B5400	68	SCREW SET - coil bracket mounting, 'RBW', head mark, (pr)	9.00
C5423	70-74	SHIELD - heat, 454 spark plug, barrel style, (8 req.) (ea)	18.00



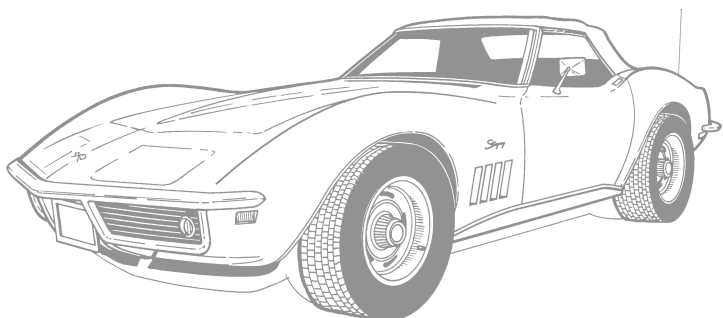
B5422	68-74	SUPPORT - spark plug wire retainer, LH & RH, front valve cover, w/stand 427/454, (2 wire) (ea.)	3.50
B5456	68-74	SUPPORT - spark plug wire retainer, on valve cover, 427/454 (4 wire) (ea.) w/stand	3.50
A5446	68-74	WING NUT - ignition shield, (ea)	1.25

Ignition: Radio Ignition Shielding Kits

1968-77 327/350 IGNITION SHIELDING KITS

Part No.	Year	Description	QTY	QTY	QTY	QTY	QTY
C5451	68	SHIELDING KIT					
C5401	69	SHIELDING KIT					
C5433	70E	SHIELDING KIT					
C5402	70L-74	SHIELDING KIT (specify year)					
C5470	75-77	SHIELDING KIT					
C5403	68-70E	BOX & LID - distributor cover		1	1	1	
C5407	68-74	BRACKET - top ignition shield, LH		1	1	1	1
C5408	68-74	BRACKET - top ignition shield, RH		1	1	1	1
C5409	75-77	BRACKET - top ignition shield, LH	1				
C5410	75-77	BRACKET - top ignition shield, RH	1				
C5414	68-82	BRACKET - rear lower ignition support, LH	1	1	1	1	1
B5433	68-70E	BRACKET SET - lower ignition shield, 8pc.		1	1	1	1
C5411	70L-79	BRACKET SET - lower ignition shield, 4pc.	1				
C5405	70L-74	COVER - distributor top shield, chrome	1				
C5406	75-77	COVER - distributor top shield, chrome	1				
A5448	68-79	GROMMET - spark plug wire (oval)	1	1	1	1	1
B5462	68-79	GROMMET - spark plug wire (square)	2	2	2	2	2
B5418	68-79	"J" NUT - vertical ignition shield, RH	1	1	1	1	1
C5413	68-77	SHIELD - vertical ignition, LH	1	1	1	1	1
C5412	68-77	SHIELD - vertical ignition, RH	1	1	1	1	1
C5417	68-79	SHIELD - rear lower ignition, LH	1	1	1	1	1
C5419	68-69	SHIELD - rear lower ignition, RH				1	1
C5420	68-79	SHIELD - rear lower ignition, RH	1	1	1		
B5485	70-79	SHIELD - front lower ignition, LH					1
C5416	68	SHIELD - front lower ignition, RH		1	1	1	
C5418	69-74	SHIELD - front lower ignition, RH		1	1	1	1
B5499	69-74	SUPPORT - rear plug wire support, RH	1	1	1	1	1
A5446	68-79	WING NUT - ignition shield	8	12	15	15	15

C5451	68	IGNITION SHIELDING KIT - 327 / see chart for details	399.95
C5401	69	IGNITION SHIELDING KIT - 350 / see chart for details	477.20
C5433	70E	IGNITION SHIELDING KIT - 350 / see chart for details	379.95
C5402	70L-72	IGNITION SHIELDING KIT - 350 / see chart for details	275.95
C5469	73-74	IGNITION SHIELDING KIT - 350 / see chart for details	249.00
C5470	75-77	IGNITION SHIELDING KIT - 350 / see chart for details	249.95



CHICAGO CORVETTE

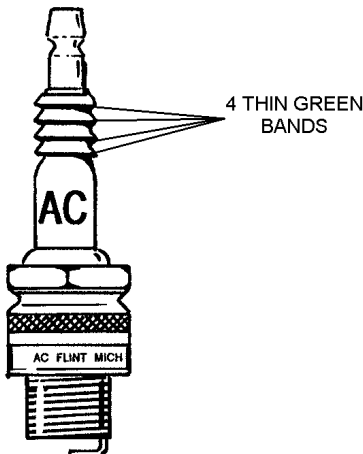
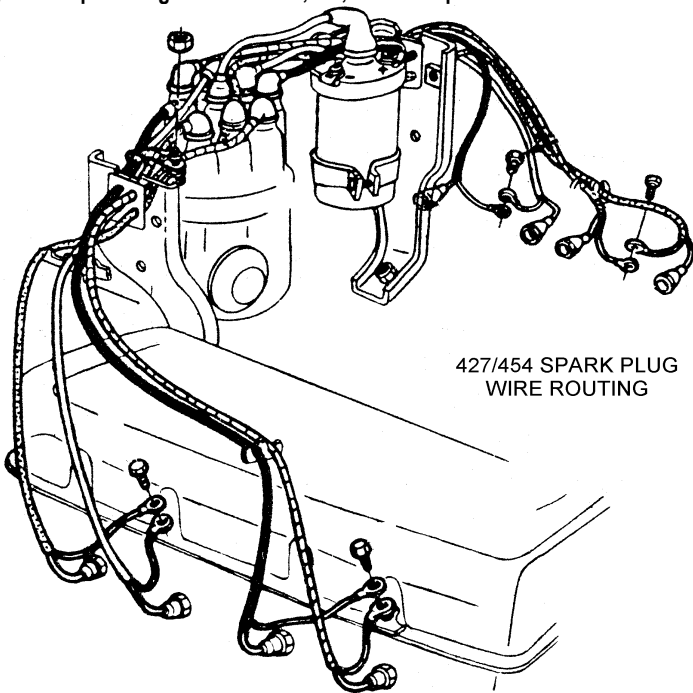
We're your 1-Stop-Shop for 1953-82 Corvette parts and accessories!

1968-74 427/454 IGNITION SHIELDING KITS

C5432	68-70	IGNITION SHIELD KIT (1x4)			
C5437	68-69	IGNITION SHIELD KIT (3x2)			
C5441	71-74	IGNITION SHIELD KIT			
C5404	68-70	LID		1	1
C5442	68-70	SHIELD / BOX			1
C5443	68-69	SHIELD / BOX		1	
C5405	71-74	COVER	1		
C5438	68-74	BRACKET - upper, LH	1	1	1
C5439	68-74	BRACKET - upper, RH	1	1	1
B5457	68-69	GROMMET - round	1	1	1
B5462	68-69	GROMMET - square	2	2	2
A5446	68-74	WING NUT	5	7	7

C5432	68-70	IGNITION SHIELDING KIT - 427/454 1X4 / see chart for details	169.95
C5437	68-69	IGNITION SHIELDING KIT - 427 3X2 / see chart for details	149.95
C5441	71-74	IGNITION SHIELDING KIT - 454 1X4 / see chart for details	96.25

Ignition: Spark Plug Sets - 8 Piece, AC, NOS & Replacements



A4455 68 SPARK PLUG SET - 327, replacement, (8 pc.) . .19.95

A4411	68	SPARK PLUG SET - NOS, all 327, AC #44 replacement	49.95
A4400	68-70	SPARK PLUG SET - NOS, all 327, AC #R44, repl. resistor plug	39.95
C4488	69-70	SPARK PLUG SET - 350, replacement, (8 pc.)	19.95
C6537	69-70	SPARK PLUG SET - NOS, all 350, AC #R44, NOS	42.00
C8722	71	SPARK PLUG SET - NOS, all 350, AC #R44TS	32.00
C8721	72-74	SPARK PLUG SET - NOS, all 350/454, AC #R44T	32.00
B4415	68	SPARK PLUG SET - 427, replacement, (8 pc.)	19.95
C4486	69	SPARK PLUG SET - 427, w/3x2, replacement, (8 pc.)	19.95
C4485	69	SPARK PLUG SET - 427, w/o 3x2, replacement, (8 pc.)	19.95
C4400	69	SPARK PLUG SET - NOS, 427, all hps, AC #R43N	79.95

NOTE: All NOS 1968-69 spark plugs have four raised ridges with equal green stripes on the porcelain.

C4487	70	SPARK PLUG SET - 454, replacement, (8 pc.)	19.95
C8723	70	SPARK PLUG SET - NOS, 454/390 hp, AC #R43T	24.00
C8725	70	SPARK PLUG SET - NOS, 454/465 hp, AC #R43XL	24.00
C4489	71	SPARK PLUG SET - 454/365hp, replacement, (8 pc.)	19.95
C4490	71	SPARK PLUG SET - all except 454/365hp, replacement, (8 pc.)	19.95
C8719	71	SPARK PLUG SET - NOS, 454, AC #R43TS	28.00
C4491	72-74	SPARK PLUG SET - replacement, (8 pc.)	19.95
C4492	75	SPARK PLUG SET - replacement, (8 pc.)	19.95
C4493	76-82	SPARK PLUG SET - replacement, (8 pc.)	19.95
C4494	76-82	SPARK PLUG SET - Bosch platinum, all w/cast iron heads, (8 pc.)	27.95
B4405	68	SPARK PLUG SET - NOS, AC #42XL, L88/L89 aluminum head, heavy duty use	95.00
B4400	68	SPARK PLUG SET - NOS, AC #43N, original equipment use, 427	145.00
A4474	68	SPARK PLUG SET - NOS, AC #45, 'Town & Country' use 327	40.00
A4475	68	SPARK PLUG SET - NOS, AC #46, 'Town & Country' use 327, 8 pc	40.00
B4401	68	SPARK PLUG SET - NOS, AC #C42N, heavy duty use, 427	40.00

Ignition: Spark Plug Wire Sets Generic

These 1968-74 Custom tailored spark plug wire sets are a superior product to current GM replacements and are built using Packard wire. They fit correctly, are more correct in appearance and offer exceptional value for the money.

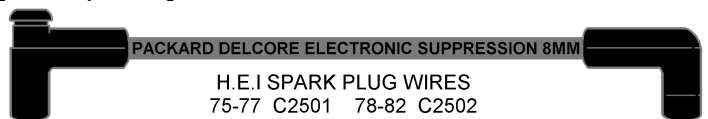
B4411	68-71	SPARK PLUG WIRE SET - 427/454 w/o radio, undated	48.30
A4409	68-74	SPARK PLUG WIRE SET - all w/327/350	48.30
B4446	68-74	SPARK PLUG WIRE SET - all 427/454 w/radio, braided wire cable	126.75
C4413	72-74	SPARK PLUG WIRE SET - 454, w/o radio, undated	35.00

Ignition: Spark Plug Wires - 327/350 1968/75

100% correct reproductions by LECTRIC LIMITED, Inc. The spark plug wires below contain the correct factory script and dates as well as the correct spark plug boots. Order by date. (Example: 1968 cars build Sept 1967 - Feb 1968 uses 3Q67 wires, cars built March 1968 - Aug 1968 uses 1Q68 wires.) All prices are for a complete set of spark plug wires.

C4404	68	SPARK PLUG WIRE SET - dated 1Q68	78.45
C4408	69	SPARK PLUG WIRE SET - dated 1Q69	78.45
C4412	70	SPARK PLUG WIRE SET - dated 1Q70	78.45
C4416	71	SPARK PLUG WIRE SET - dated 1Q71	78.45
C4420	72	SPARK PLUG WIRE SET - dated 1Q72	78.45
C4424	73	SPARK PLUG WIRE SET - dated 1Q73	78.45
C4428	74	SPARK PLUG WIRE SET - dated 1Q74	78.45
C4402	68	SPARK PLUG WIRE SET - dated 3Q67	78.45
C4406	69	SPARK PLUG WIRE SET - dated 3Q68	78.45
C4410	70	SPARK PLUG WIRE SET - dated 3Q69	78.45
C4414	71	SPARK PLUG WIRE SET - dated 3Q70	78.45
C4418	72	SPARK PLUG WIRE SET - dated 3Q71	78.45
C4422	73	SPARK PLUG WIRE SET - dated 3Q72	90.55
C4426	74	SPARK PLUG WIRE SET - dated 3Q73	75.85

Ignition: Spark Plug Wires - 350 1975-82



These 1975-82 replacement Spark Plug Wire Sets are identical to the wires that came on your car, with the exception of the date codes.

C2501	75-77	SPARK PLUG WIRE SET - HEI	78.45
C2502	78-82	SPARK PLUG WIRE SET - HEI	78.45

Ignition: Spark Plug Wires - 427/454 V8 with Radio

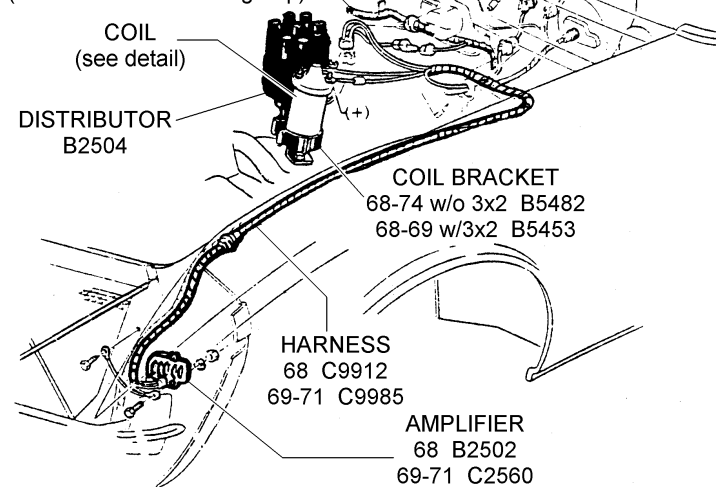
C4432	68	SPARK PLUG WIRE SET - w/radio, dated 1Q68	.140.00
C4436	69	SPARK PLUG WIRE SET - w/radio, dated 1Q69	.140.00
C4440	70	SPARK PLUG WIRE SET - w/radio, dated 1Q70	.140.00
C4444	71	SPARK PLUG WIRE SET - w/radio, dated 1Q71	.140.00
C4448	72	SPARK PLUG WIRE SET - w/radio, dated 1Q72	.140.00
C4442	73	SPARK PLUG WIRE SET - w/radio, dated 1Q73	.140.00
C4456	74	SPARK PLUG WIRE SET - w/radio, dated 1Q74	.140.00
C4430	68	SPARK PLUG WIRE SET - w/radio, dated 3Q67	.140.00
C4434	69	SPARK PLUG WIRE SET - w/radio, dated 3Q68	.140.00
C4438	70	SPARK PLUG WIRE SET - w/radio, dated 3Q69	.140.00
C4441	71	SPARK PLUG WIRE SET - w/radio, dated 3Q70	.140.00
C4446	72	SPARK PLUG WIRE SET - w/radio, dated 3Q71	.140.00
C4450	73	SPARK PLUG WIRE SET - w/radio, dated 3Q72	.140.00
C4454	74	SPARK PLUG WIRE SET - w/radio, dated 3Q73	.140.00

Ignition: Spark Plug Wires - 427/454 without Radio

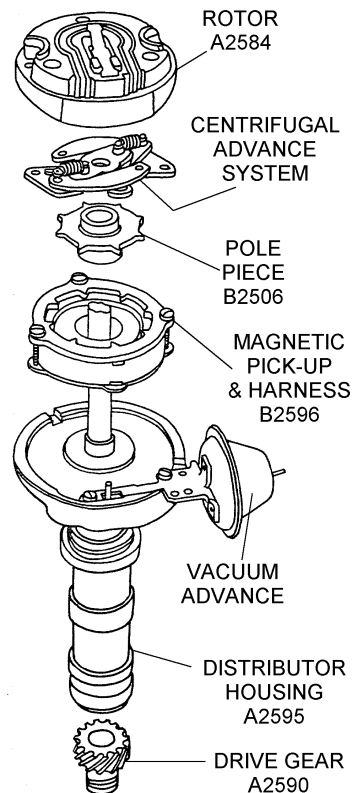
B4407	68-69	SPARK PLUG WIRE SET - L88, red/brown wire, correct gray boots, various dates available, call	1,250.00
C4460	68	SPARK PLUG WIRE SET - w/o radio, dated 1Q68	.78.45
C4464	69	SPARK PLUG WIRE SET - w/o radio, dated 1Q69	.78.45
C4468	70	SPARK PLUG WIRE SET - w/o radio, dated 1Q70	.78.45
C4472	71	SPARK PLUG WIRE SET - w/o radio, dated 1Q71	.78.45
C4476	72	SPARK PLUG WIRE SET - w/o radio, dated 1Q72	.78.45
C4480	73	SPARK PLUG WIRE SET - w/o radio, dated 1Q73	.78.45
C4484	74	SPARK PLUG WIRE SET - w/o radio, dated 1Q74	.78.45
C4458	68	SPARK PLUG WIRE SET - w/o radio, dated 3Q67	.78.45
C4462	69	SPARK PLUG WIRE SET - w/o radio, dated 3Q68	.78.45
C4466	70	SPARK PLUG WIRE SET - w/o radio, dated 3Q69	.78.45
C4470	71	SPARK PLUG WIRE SET - w/o radio, dated 3Q70	.78.45
C4474	72	SPARK PLUG WIRE SET - w/o radio, dated 3Q71	.78.45
C4478	73	SPARK PLUG WIRE SET - w/o radio, dated 3Q72	.78.45
C4482	74	SPARK PLUG WIRE SET - w/o radio, dated 3Q73	.78.45

Ignition: Transistorized System ENGINE HARNESS

(see WIRE HARNESS group)



B9876	68-71	AMPLIFIER BOX RESTORATION - transistorized ignition amplifier, new solid state board, replating, painting, detailing w/decals	.249.95
B9876	68-71	AMPLIFIER BOX RESTORATION - transistorized ignition amplifier, new solid state board, replating, painting, detailing w/decals	.249.95
B2502	68	AMPLIFIER BOX - transistorized ignition, w/o pig tail	.595.00
B2602	68	AMPLIFIER BOX - w/decals / transistorized ignition - new - an extremely close replica but not 100% correct	.399.00
C2560	69-71	AMPLIFIER BOX - transistorized ignition / restored w/new circuit board & decal, detailed, ready to install	.495.00
C2561	69-71	AMPLIFIER BOX - w/decals / transistorized ignition - new - an extremely close replica but not 100% correct	.395.00
B2591	68	COIL - TI, early 327/350hp, #1115207	.145.95
B2500	68-71	COIL - TI, generic	.59.95
B2599	68-71	COIL - TI, 1968-69 427, 71 454, #1115263	.145.95
C2597	68-71	COIL - '68 327/350hp, '69 350/350hp, '70 350/370/390hp, '72 330hp all w/TI #1115272	.145.95



B2547	68-71	DISTRIBUTOR CONVERSION - from tach drive point type to transistorized ignition / includes all related parts, testing & detailing / if main shaft & cross gear need replacing there is an additional charge	.459.95
B2501	68-71	DISTRIBUTOR - restoration, w/transistorized ignition	.135.00

NOTE: Distributor B2501 includes replacement of upper & lower bearing, main & cross shaft coupler, etc. as required.

B2536	68-71	GASKET - amplifier box cover	.4.75
C9912	68	HARNESS - TI ignition auxiliary for amplifier box, w/integral external harness	.127.00
C9985	69-71	HARNESS - TI auxiliary	.127.00
C0423	68-71	HARNESS - TI extension	.14.50
B9959	68E	HARNESS - extension repair, TI amplifier box	.35.20
C0033	68L-71	HARNESS - TI box extension w/retainer, exactly replaces damaged original harness and retainer	.43.45
A2384	68-71	ID BAND - distributor identification, aluminum, 'Delco Remy' w/part # & date around base, originals & reproductions	.30.25
B2596	68-71	MAGNETIC PICK-UP - w/wire harness, GM# 1960779, NOS	.232.75
B2503	69-71	MODULE - transistorized ignition amplifier box	.151.05

NOTE: on B2503: If your TI amplifier box has burned-out or you can't find an original TI coil, we have the answer. Our new TI amplifier Box Module (order #B2503) replaces the transistor board within all TI Amplifier Boxes making them better than new! It allows the system to function with a standard replacement coil or a TI coil. It is constructed to outlast the original and creates a hotter spark when used with a TI or after market high output coil. It installs in minutes, and from the outside of your amplifier box, looks totally stock.

B2506	68-71	POLE PIECE - on distributor main shaft, upper, GM# 1967928	.134.95
A2598	68-71	SCREW - distributor, vacuum advance	.1.00
B2517	68-71	SERVICE BULLETIN - transistorized ignition	.5.65
B2509	68-69	VACUUM ADVANCE - all 350hp w/TI & 427/435hp w/TI, GM #1116163 for distributors #1111441, #1111475, #1111296, #1111491 & #1111928	.41.00
C2783	71-72	VACUUM ADVANCE - distributor GM # 1973437 for distributor #'s 1112038, 1112053	.69.95
B2560	68-71	WASHER - T.I. distributor, mounts under magnetic pick-up, brass	.4.95

Ignition: Tune-Up Kit

Tune-up kits include air filter, oil filter, PCV valve, distributor cap, rotor, spark plugs and ignition wires.

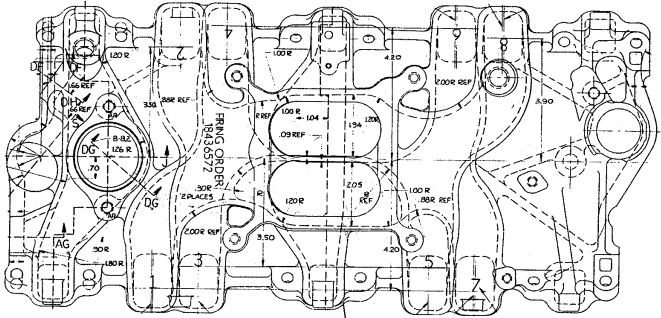
C2840	75	TUNE-UP KIT	.64.90
C2841	76-77	TUNE-UP KIT	.81.60
C2842	78-80	TUNE-UP KIT	.81.60
C2843	81	TUNE-UP KIT	.81.60
C2844	82	TUNE-UP KIT	.94.00



Intake Manifolds

Intake Manifold: 327/350

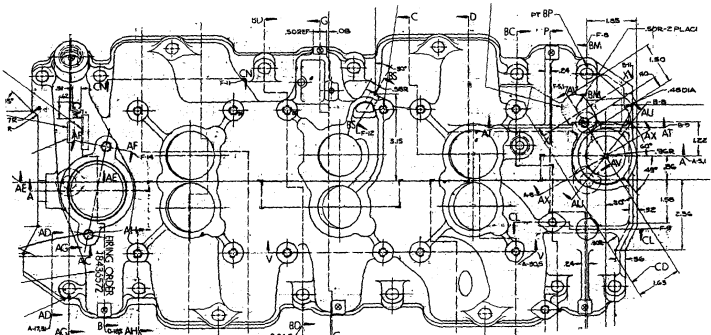
C5503 71-82	BOLT SET - intake, all 350, 'TR' head mark ..	22.40
C5500 71-82	BOLT SET - intake manifold w/original engine lift bracket on LH corner, 'M' head mark ..	22.45
C5501 68-70	BOLT SET-intake, all 327/350 for use w/original engine lift brackets, 'TR' head mark ..	19.10
C5502 68-70	BOLT SET - intake, all 327/350, 'TR' head mark ..	19.10
B5541 68	BOLT SET - intake manifold, 327, 'M' head mark, zinc, (12 pc.) ..	17.95
B5540 68-72	BOLT SET - intake manifold 'M' head mark, (black) (12 pc.) ..	15.00
A5156 68-80	FITTING - heater hose on intake manifold, 1/2' NPT ..	10.50
C6542 68-82	GASKET SET - intake 327/350 ..	11.00
C5510 69-72	GASKET SET - intake manifold, all 350, correct 'kormetal', & round exposed tab ..	23.55
C5511 73-81	GASKET SET - intake manifold, all 350, correct 'kormetal', & round exposed tab ..	14.60
A5500 68	GASKET SET - intake manifold, correct 'kormetal' w/dark gray color and round exposed tab ..	30.35
C5560 68	MANIFOLD - intake, #3919803, 327, dated, call for available dates ..	185.00
C5559 69	MANIFOLD - intake, #3927184, 350, dated, call for available dates ..	175.00
C5505 70	MANIFOLD - intake, #3972110, 1x4, LT1, aluminum, (recon.) ..	595.00
C5565 71	MANIFOLD - intake, #3973469, cast iron, dated, call for available dates ..	225.00



INTAKE MANIFOLD C5506

C5506 71-72	MANIFOLD - intake, #3959594, 1x4, LT1, aluminum, (recon.) ..	595.00
C5566 72	MANIFOLD - intake, #6263751, dated, call for available dates ..	175.00
C5552 73	MANIFOLD - intake, #3997771, 350/L48/L82, dated, call for available dates ..	175.00
C5527 74	MANIFOLD - intake, #340261, L48/L82, dated, call for available dates ..	175.00
C5561 75-78	MANIFOLD - intake, #346249, 78 L48 only, dated, call for available dates ..	175.00
C5516 78-79E	MANIFOLD - intake, #458520, 350 w/L82, aluminum ..	175.00
C5517 79	MANIFOLD - intake, #14007378, 350 w/L82, aluminum ..	241.40
C5518 80	MANIFOLD - intake, #14014432, aluminum ..	175.00
C5586 81	MANIFOLD - intake, #14033058, aluminum ..	175.00
A5525 68-82	WASHER SET - aluminum intake manifold hold-down bolts ..	8.35

Intake Manifold: 427/454



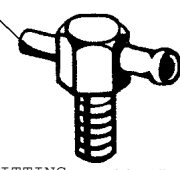
B5538 68-71	BOLT SET - intake manifold 'A' head mark, 68-69 427, 70-71 w/spec. hi-perf. 454, (16 pc.) ..	21.00
-------------	--	-------

C5504 68-74	BOLT SET - intake manifold, for use w/original engine lift LH corner, 'A' head mark ..	24.70
B5531 68-74	BOLT SET - 427/454 intake manifold, 'M' head mark, (zinc) (16 pc.) ..	20.00
B5542 68	BOLT SET - intake manifold, 'FP' hm, zinc ..	24.55
B5519 68-74	GASKET SET - intake manifold, 427/454, hi-perf. rectangular port ..	24.15
B5500 68-71	GASKET SET - intake manifold, 427/454 w/square port heads, 1971 spec. hi-perf., correct 'kormetal' w/dark gray color and round exposed tab ..	28.05
B5503 68-72	GASKET SET - intake manifold, 427/454, w/oval port heads, correct 'kormetal' w/dark gray color & round exposed tab ..	22.45
B5517 68-74	GASKET SET - intake manifold, 427/454 w/oval port heads ..	17.90
C5507 68E	MANIFOLD - intake, #3919850, 400hp 3x2 oval port, recon. ..	1,595.00
C5508 68E	MANIFOLD - intake, #3919852, 435hp 3x2 square port, recon. ..	1,450.00
C5509 68L-69	MANIFOLD - intake, #3937795, 400hp 3x2 oval port, recon. ..	2,095.00
C5512 68L-69	MANIFOLD - intake, #3937797, 435hp 3x2 square port, recon. ..	1,895.00
C5513 68E	MANIFOLD - intake, #3919849, 427/390hp 1x4, aluminum thru March 1968, reconditioned ..	450.00
C5523 68L	MANIFOLD - intake, #3937793, 427/390hp, 1x4, aluminum, used after March 1968, reconditioned ..	350.00
C5514 69	MANIFOLD - intake, #3947801, 427/390hp 1x4, aluminum, recon. ..	525.00
C5520 71	MANIFOLD - intake, #3963569, 454/425hp, aluminum w/raised combustion chamber numbers on runners ..	475.00
C5564 70	MANIFOLD - intake, #3965577 ..	175.00
C5567 70-71	MANIFOLD - intake, #3955287 ..	195.00
C5568 72	MANIFOLD - intake, #6263753 ..	175.00
A5525 68-82	WASHER SET - aluminum intake manifold hold-down bolts ..	8.35

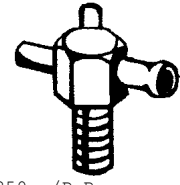
Intake Manifold: Vacuum Fittings

B5552 68-69	FITTING - vacuum, 327 w/P.B. & AT, 68/9 390hp w/AC & P.B. ..	20.20
C5577 68-69	FITTING - vacuum, 327 w/P.B., 68/9 400/435 w/P.B. ..	19.10
B5550 68-69	FITTING - vacuum, 68-69 390hp w/AC, 68/9 327 w/AC or AT, 73 L48 & AT ..	12.00
C5576 68-69	FITTING - vacuum, 400hp w/AC, 400/435hp w/auto trans ..	20.20
C5578 68-69	FITTING - vacuum, 400hp, w/P.B. & AT or AC & P.B. or 435hp w/P.B. & AT ..	22.40
B5546 68-73	FITTING - vacuum, 68-72 327/350 w/o AT, 73 L48 & LS4 ..	12.45

VACUUM FITTING B5548



VACUUM FITTING B5552

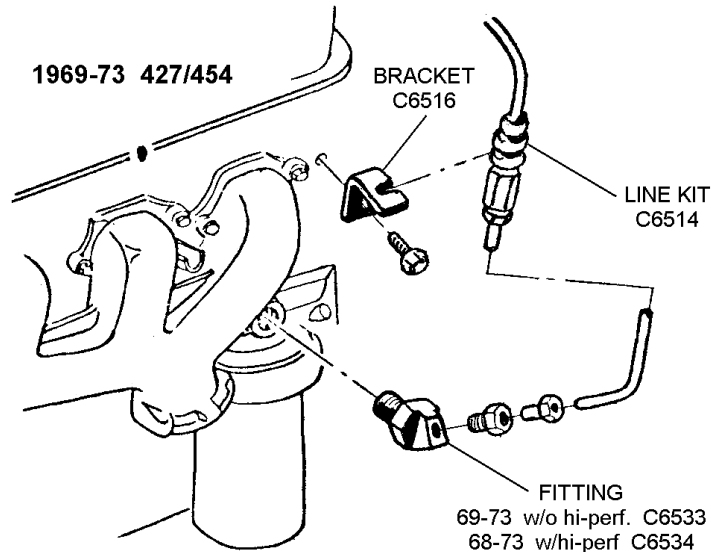
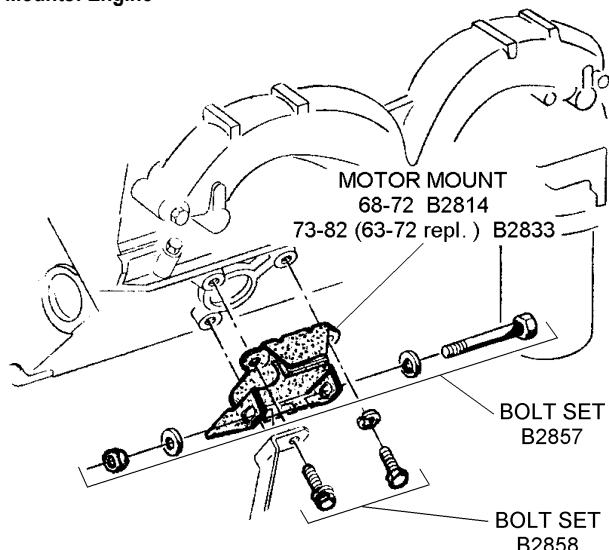


B5548 69	FITTING - vacuum, 350 w/P.B. ..	12.45
C5579 69	FITTING - vacuum, 350 w/P.B. & AT - 350 w/pb, ac & manual trans ..	20.20
C5583 70	FITTING - vacuum, LS5/6 w/ P.B. & AT ..	22.45
C5580 70-72	FITTING - vacuum, 350 & AT, 2 port ..	21.30
C5581 70-72	FITTING - vacuum, 70-72 LT1 w/P.B. ..	22.45
C5582 71-73	FITTING - vacuum, LS5 w/AT & P.B. ..	16.85
C5584 73-75	FITTING - vacuum, all w/auto trans ..	8.35
C5585 73-78	FITTING - vacuum, all w/manual trans ..	8.45

Intake Manifold: Water Outlet / Thermostat Housing & Related

A2003 68-82	GASKET - thermostat housing/water outlet ..	2.25
A2034 68	HOUSING - thermostat, GM repl for B2208 ..	30.75
C2081 82	HOUSING - thermostat ..	13.50
B2208 68-69	HOUSING - thermostat, GM #3827369, 68-69 L88 ..	59.40
B2210 68-73	HOUSING - thermostat, all except L88, correct reproduction ..	54.95
C2084 74-81	HOUSING - thermostat ..	27.40
C2075 78-82	HOUSING - thermostat, w/2 thermo vacuum switch outlets, cast aluminum #469519, as original ..	41.50
A2025 68-82	THERMOSTAT - 160 degree ..	6.95
A2037 68-82	THERMOSTAT - 180 degree ..	6.95
A2000 68-82	THERMOSTAT - 195 degree ..	6.95

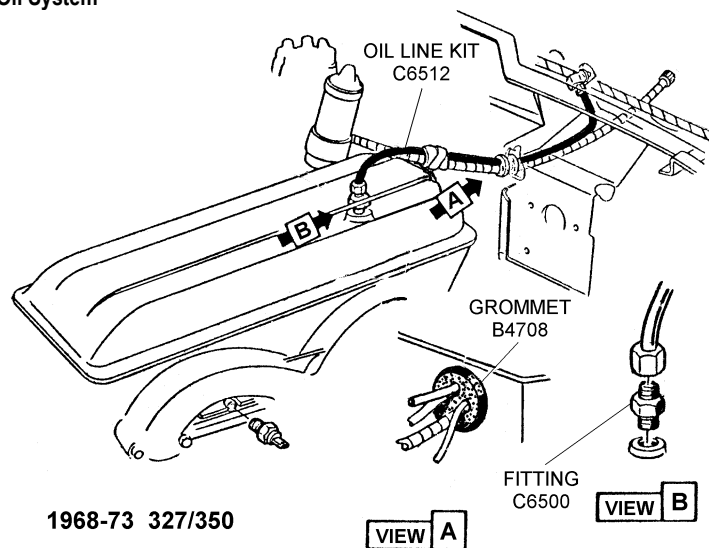
Motor Mounts: Engine



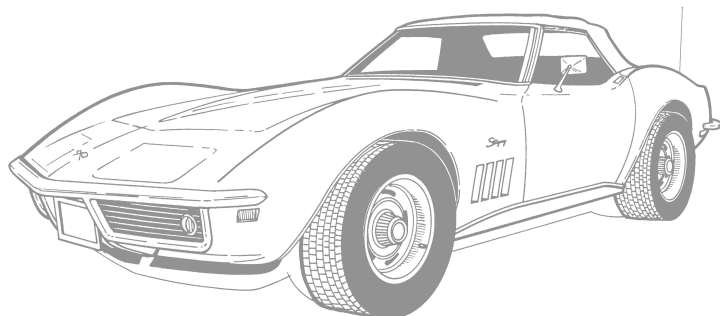
- B2863 68-72 BOLT KIT - engine mount to frame, 'A' head mark, w/washers & marston nuts12.35
- B2862 68-72 BOLT KIT - engine mount to frame, 'F' head mark, w/washers & marston nuts11.25
- B2872 68-72 BOLT SET - engine mount to engine, indented head w/anchor head marks & captured lock washers, (6 pc.)9.00
- B2858 68-82 BOLT SET - engine mount to engine, (6 pc.) ...5.45
- B2857 68-82 BOLT SET-engine mount to frame, generic, w/washers & marston nuts3.15
- B2814 68-72 MOUNT - engine, non locking, as original, (2 req.) (ea)28.05
- B2833 68-82 MOUNT - engine (68/72 replacement) (2 req.) (ea)23.25
- B2896 68-74 SHIM - engine mount, 427-454 w/AC, 'V' shape, mounts between engine block and motor mount to keep carb floats level, (2 req.) (ea)10.35

- B6500 68 ADAPTER FITTING - oil pressure line, all w/spec hi-perf 427 1/2' x 1/8' NPT6.75
- B6501 68 ADAPTER FITTING - oil pressure line, all except spec. hi-perf 427 3/8' x 1/8' NPT13.00
- C6533 69-73 ADAPTER FITTING - oil pressure line all except spec hi- perf. 427/454 450 3/8' x 1/8' NPT 45 degree19.05
- C6534 69-71 ADAPTER FITTING - oil pressure line, all w/spec. hi-perf. 427/454 L88/LS6, 1/2' X 1/8' NPT 45 degree27.85
- C6500 68-73 ADAPTER FITTING - oil pressure line, 68-73 all small block (screws into block), 68 big block (screws into additional adapter fitting) 7.85
- A6540 69-73 ADAPTER FITTING - oil pressure line, all big blocks (screws into block), 1/8 x 1/8 NPT 3.00
- A6543 69 BAFFLE - all w/6 quart oil pan34.50
- B6504 68-74 BAFFLE - oil pan, 427/45412.85
- C6507 76-79 BAFFLE - oil pan, L8238.75
- A6513 68-82 BOLT - oil pump to rear main cap, w/correct hm3.95
- A6533 68-82 BOLT SET - oil pan, 327/350, (18 pc.)12.50
- B6571 68-74 BOLT SET - oil pan, 427/45416.50
- C6516 69-72 BRACKET - oil pressure line, 427/45410.10
- B6540 68 CAP - oil filler, 'S' logo rivet, 327 special hi-perf., chrome18.45
- C6518 69-82 CAP - oil filler, chrome, twist-in13.10
- C6520 69-81 CAP - oil filler, plain, twist-in, 3505.25
- C6504 71-76 CAP - oil cap, rubber (w/'OIL' letters only,) 71-72 all w/350, 71-74 all w/4545.45
- C6510 69-82 CAP - oil filler, chrome, 'S' logo, 68-70 427, 454, 69 350 sp. hi-perf., 70-82 w/LT1 aluminum valve covers14.60
- G6500 68-82 CLEANER - concrete degreaser, removes oil & grease stains from concrete driveway & garage floors, (64 oz. bottle)6.95
- B6510 68-74 DIP STICK - oil, 327/350, chrome repl38.80

Oil System



1968-73 327/350



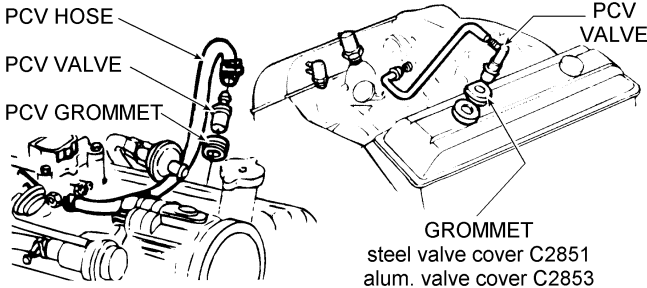
- VALVE COVER
- OIL FILL CAP
- 69-82 chrome C6518
- 71-76 rubber C6504
- 69-82 chrome w/S logo C6510
- DIP STICK TUBE
- 68-74 327/350 B6516
- 68-69 427 C6528
- 70-74 427/454 C6530
- 75-76E C6521
- 76L-79 C6522
- 80-81 C6523
- DIP STICK
- 69-74 327/350 black C6528
- 68-74 327/350 chrome B6510
- 70-74 427/454 C6530
- 75-76E C6515
- 76L-79 C6517
- 80-81 C6519
- B6516 68-74 DIP STICK - oil, 327/350, black22.00
- C6528 68-69 DIP STICK - oil, 427, w/white button end16.85
- C6530 70-74 DIP STICK - oil, 427/45410.15
- C6515 75-76E DIP STICK - oil, measures 17 5/16' from cap to full mark15.00
- C6517 76L-79 DIP STICK - oil, measures 18 3/16' long / w/green button7.75
- C6503 68-82 FILTER - oil, PF25 PF29 (spin on replacement)16.95
- C6502 70-72 FILTER - oil, PF25, white w/red & blue silk screen54.30
- A6537 68-82 GASKET - oil drain pan plug3.95
- A6532 68-82 GASKET KIT - oil pan, 327/35017.95

B6573	68-74	GASKET KIT - oil pan, 427/454	18.05
C4700	68-74	GROMMET - oil line & tach cable wire harness, 4 hole, in firewall	7.20
C6512	68-73	LINE - oil pressure, 68 all, 69-73 w/350, (plastic)	8.70
C6514	69-72	LINE KIT - oil pressure, 427/454	30.25
C6505	68-73	LINE KIT - oil pressure w/fittings, 68 all, 69-73 w/350	16.80
C6588	68-69	OIL FILTER - PF-29 as original/white body w/blue-red lettering	39.95
A6520	69-72	PAN - oil, 350, (6 quart w/baffles)	595.00
C6501	75-79	PAN - oil, 350/L48	122.30
C6506	75-79	PAN - oil, 350/L82	140.30
B6513	68-74	PAN - oil, 427/454	194.00
B6523	68-82	PLUG - oil drain, magnetic	5.95
A6536	68-82	PLUG - oil drain, in oil pan	6.25
A6544	69-80	STUD - 350, sp. hi-perf. oil pan baffle, (ea)	17.95
C8678	73-81	SWITCH - oil pressure sender	41.45
C8679	81-82	SWITCH - oil pressure sender	18.70
C6513	68	TUBE - oil filler, 327/350hp, hi-perf., chrome	39.25
C6511	68	TUBE - oil filler, all 327, w/o hi-perf., black	36.80
A6538	68-79	TUBE - oil dip stick, lower (in block), 327/350 engine	9.95
B6520	68-69	TUBE - oil dipstick, 427	18.50
B6514	68-74	TUBE - oil dipstick, 327/350	17.05
B6512	68-74	TUBE - oil dipstick, (chrome repl)	13.45
C6532	70-74	TUBE - oil dipstick, 454	28.00
C6521	75-76E	TUBE - oil dipstick, measures 6.5' from shoulder to top of tube	4.25
C6523	80-81	TUBE - oil dipstick	34.00

Paint

G5003	68-82	PAINT - black, semi-gloss, 12 oz aerosol	6.50
G5002	68-82	PAINT - cast iron color, stainless steel spray coat, hi-temp. 12 oz. aerosol	6.50
G0114	68-82	PAINT - cast iron color, stainless steel spray coat, 12 oz. aerosol	6.50
G0045	68-82	PAINT - Chevy orange	6.95
G5090	68-82	PAINT - GM chassis, black, 12 oz. aerosol	5.85

PCV Valve System



B0100	68-70	CLAMP SET - PCV hose, (pr)	3.00
B0160	68-74	GROMMET - PCV, valve cover, LH (ea)	3.25
C2851	68-70	GROMMET - PCV & crankcase vent tube, all 327/350 w/base engine & steel valve covers	6.00
C2853	69-72	GROMMET - valve cover, aluminum (69-74 PCV LH, 69-82 vc vent tube RH)	3.25
A4708	75-82	GROMMET - valve cover, 350 w/aluminum valve cover, LH, w/PCV	5.00
B2874	68	HOSE - PCV, L88	9.00
B0173	68-69	HOSE - PCV 427 3x2 RH of intake to RH valve cover, 6'	15.70
C0118	68-70	HOSE - PCV 23' cut to length	15.70
C0106	82	HOSE - crankcase vent, NOS	9.95
B0193	68-69	PCV VALVE - #CV 736C, RH	8.00
C0190	68-73	PCV VALVE - 68-70 427 HD, 70-73 350 w/special hi-perf	8.00
C0191	74-80	PCV VALVE	4.15
C0192	81-82	PCV VALVE	4.15
B0199	68-72	TAG - PCV valve '736C', 68-69 427 exc. HD, 70-72 454 exc. HD	3.50

Pulleys

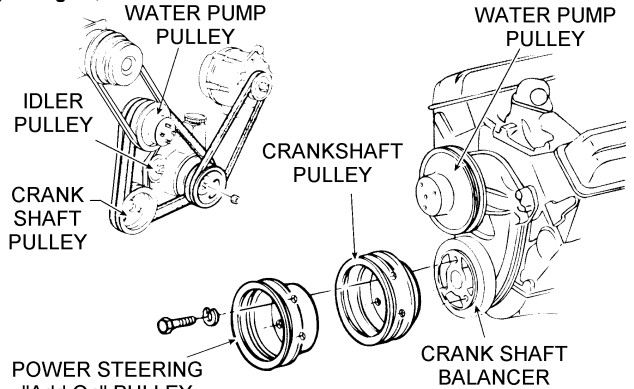
Pulleys: Alternator

B6802	68-71	PULLEY - alternator, 427/454 engine	41.50
B6810	68	PULLEY - alternator, 1968 427, w/o P.S., 1969 427w/H.D. 1971 454 w/sp. hi perf., w/o P.S.	42.65
C6806	68-74	PULLEY - alternator, all 350	41.35
B6853	68-72	PULLEY - alternator, 1968 350hp, 68-70 427/454 w/AC, 1970 454, 70-72 LT1, 1971 454 exc. AS & P.S., 1972 454 all exc. w/P.S.	40.35
B6849	68-72	PULLEY - alternator, 427/454, 1968-71 w/AC & P.S., 1972 all w/P.S.	47.25

Pulleys: Engine, 1968 327 & 1969-82 350

A2059	68-70	BOLT SET - fan clutch to water pump, 'Delta' head mark, (4 pc.)	8.25
A6827	68	BOLT SET - pulley to balancer, 'E' head mark, (3 pc.)	9.15
C6802	71-82	PULLEY - A.I.R. water pump, 1 groove, 5 3/4' dia. front, 71-75 w/350, 76-78 w/350 California, 79 w/350 Calif. exc. sp. hi-perf., all 80-82	35.00
C6890	69	PULLEY - A.I.R. pump, 350/350hp, 3 bolt (458)	113.25
A6820	68-80	PULLEY - balancer, 2 groove, , 68 327 sp. hi-perf. exc. AC, 69-73 350 w/hi-perf., spec. hi-perf. exc. AC, HD & 4 speed, 74-80 350 exc. AC (GM repl.)	58.00
B6832	68E	PULLEY - balancer, 2 groove, exc. AC, hi-perf. or sp. hi-perf.	49.95
C6895	68-74	PULLEY - balancer, 2 groove, (deep)	47.69
C6850	75-82	PULLEY - balancer, 2 groove, 75-80 w/AC, 81-82 all, 7 3/4' dia.	65.00
B6830	68-74	PULLEY - balancer, 'add on', power steering, 1 groove, stamped steel	57.75
A6812	68	PULLEY - water pump, 327/350hp, 2 deep grooves, w/o ac	159.00
A6828	68	PULLEY - water pump, 327 hi-perf., 2 groove, (GM repl)	88.40
C6892	71-72	PULLEY - water pump, A.I.R. driver, 1 groove	40.35
C6801	71-80	PULLEY - water pump, 350 w/AC, GM #3991424	100.00
C6894	70-80	PULLEY - water pump, A.I.R. 2 groove	125.00
B6899	68-70	PULLEY - water pump, A.I.R. driver, (#235)	113.45
B6822	68	PULLEY - water pump, A.I.R., at front	98.70
B6836	68-70	PULLEY - water pump, 2 groove, 68 327/350hp w/AC, 69-70 350/350hp w/o AC (#904)	113.80
B6895	68-70	PULLEY - water pump, 2 groove, 68 327/350hp w/AC, 69-70 350/350hp w/o AC (GM repl.)	90.10
C6855	75-82	PULLEY - balancer, power steering 'add on', 1 groove, stamped steel, 6 11/16' dia. GM	40.70
C6893	75-82	PULLEY - water pump, 2 groove, 6 1/4' dia., 75-77 w/AC, 78-79 w/AC or F44 exc. sp. hi-perf., 78 w/auto trans, AC & sp. hi-perf., 80-82 w/305-350 exc. 80 sp. hi-perf.	47.60

Pulleys: Engine, 1968-69 427 & 1970-74 454



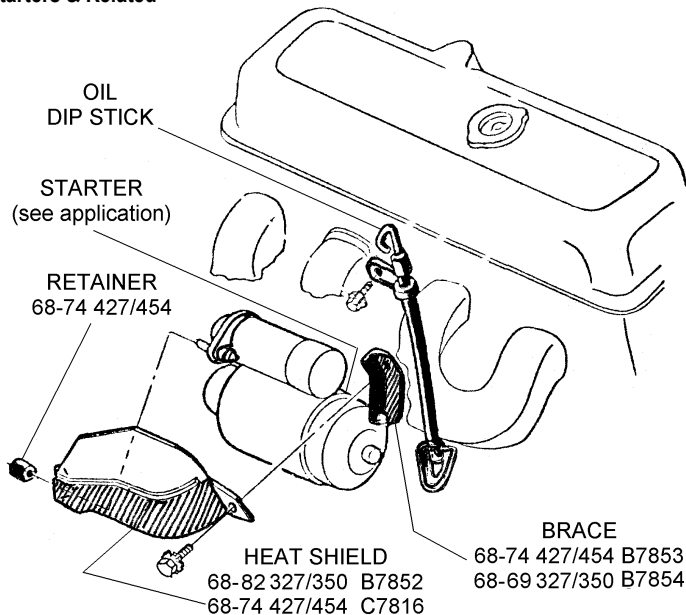
A2059	68-70	BOLT SET - fan clutch to water pump, 'Delta' head mark, (4 pc.)	8.25
B2805	68-69E	BOLT SET - 427 harmonic balancer pulley attaching, 'TR' HM, (3 pc.)	6.00
C2809	69L-74	BOLT SET - 454 harmonic balancer pulley attaching, 'TR' HM, (3 pc.)	5.65
A6827	68	BOLT SET - pulley to balancer, 'E' head mark, (3 pc.)	9.15
B6826	68-71	PULLEY - crankshaft, all 68-69E 427 w/P.S., 1971 LS6, 2 groove cast	174.75
C6898	69L-74	PULLEY - crankshaft, after 1969 Vin 24000, all 427/454 except 1971 LS6, deep 2 groove, stamped steel	39.65
B6816	68	PULLEY - water pump, 427, 2 groove, #656	197.10
B6818	68-70	PULLEY - water pump, w/AC, 3 groove	235.35

C6811	68-72	PULLEY - water pump, A.I.R. (3 bolt 522) . . .	195.00
B6895	68	PULLEY - water pump, AC & hi-perf	90.10
B6822	68	PULLEY - water pump, w/hi-perf. 427 & A.I.R.	98.70
C6858	71-74	PULLEY - water pump, 454, 3 groove, 71-73 all, 74 w/o ac, #3992071 / original	CALL
C6891	71-74	PULLEY - water pump, 454, 3 groove, 71-73 all, 74 w/o AC / replacement	210.00

Pulleys: Idler

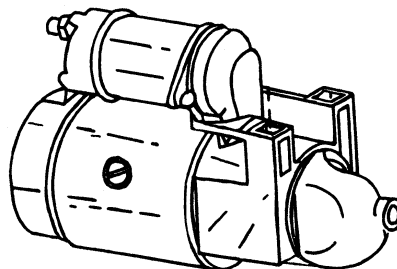
C6814	68-74	INSTALLATION KIT - idler pulley, 427/454 w/P.S., w/bolt & spacer	14.60
C6815	68-74	INSTALLATION KIT - idler pulley, 427/454, w/o P.S. w/bolt, spacer, washer	16.85
C6800	68	PULLEY - idler, w/bracket, 427 w/single 4 bbl. carburetor & AC	165.15
C6813	69-74	PULLEY - idler, 427/454, w/AC	145.70
C6816	68-74	STUD - idler pulley adjustment 427/454 w/AC	13.45

Starters & Related



We have 2000 re manufactured original starters with correct part numbers and dates in stock! Give us a call.

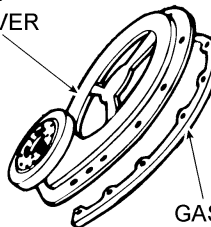
B7803	68-82	BOLT - starter mount, 1 27/32' long	7.00
B7807	68-82	BOLT - starter mount, 4 21/32' long	6.50
B7810	68-74	BOLT - starter brace	5.95
B7800	68-74	BOLT - starter mounting, 3 5/8', (2 req.) (ea)	3.95
B7851	68-69	BRACE - starter motor, 327/350	14.00
B7853	68-74	BRACE - starter motor, 427/454	9.75
B7854	68-69	BRACE - starter, L88	17.45
C0715	68-71	CABLE - battery, ground, starter to frame	34.70
A7817	68-82	CAP - starter solenoid w'/Delco made in USA' logo/NOS	9.95
B7880	68-82	CLAMP/CLIP - battery cable to solenoid	17.45
B7818	68-71	GROMMET - starter case / rectangular, for field terminal all w/427-454	1.95
C7805	68-74	NUT - starter shield retaining, 427/454	6.00
A0631	68-82	NUT & WASHER SET - starter solenoid terminals	1.75
A7811	68-82	REBUILD KIT - starter, includes brushes, bushings, washers, snap rings & starter drive	19.95
A7800	68-82	RESTORATION - of your original starter unit, includes: disassembly & cleaning, field inspection & repair, reconditioned armature, new starter drive, solenoid & bushings, assembly & outer case detailing/testing	99.95
B7813	68-82	SCREW - starter solenoid shield, 327/350	1.00
B7852	68-74	SHIELD - heat, starter solenoid, 327/350	12.00
C7816	68-74	SHIELD - heat, starter solenoid, 427/454, (used w/C7805) (SS)	32.95
A7819	68-82	SHIM KIT - starter, 4 various thicknesses, w/o offset	9.35
B7801	68-72	SOLENOID - starter, GM #1114356, original restored w/correct Bakelite cap w/DELCO logo	69.95
A7821	68-81	SOLENOID - starter, generic replacement	38.95
B7808	68	STARTER - 427, all except L88 #1107365, restored, call about available dates	395.00
C7802	68	STARTER - 327 w/MT #1108361, restored, call about available dates	209.95



**2000 STARTERS
IN STOCK!**
Remanufactured
original starters
with correct
part number
and dates.

C7804	68-71E	STARTER - all 1968 327 w/AT and all 69-71 w/MT #1108338, restored, call about available dates	215.00
C7806	69	STARTER - all 350 w/AT #1108427, restored, call about available dates	209.95
C7811	70-74	STARTER - all 350 w/AT #1108430, restored, call about available dates	194.95
C7812	70-74	STARTER - 427/454 w/AT #1108429, restored, call about available dates	324.95
C7810	71L-74	STARTER - all 350 w/MT #1108418, restored, call about available dates	299.95
C7814	69-74	STARTER - all 427/454 w/MT #1108400, (except W/M22 transmission) restored, call about available dates	595.00
B7812	68-69	STARTER - #1108351 restored, L88 W/M22 transmission, restored, call on dates available	595.00
C7818	70-72	STARTER - 427/454 W/M22 #1108381, restored, call about available dates	CALL

**Timing Chain Cover
COVER**



GASKET



TIMING CHAIN
COVER
A2860

B6580	68-74	BOLT SET - timing chain cover 427/454, (10 pc.)	7.80
B2859	68-82	BOLT SET - timing chain cover, 327/350, (12 pc.)	9.30
A2860	68	COVER - timing chain, 327 spec. hi-performance (reconditioned w/new tab)	119.95
B2838	68-69	COVER - timing chain, 327/350 w/ special hi-perf	71.60
B0356	68-69	COVER - timing chain, 396/427, w/8' harmonic balancer, (recond.)	179.95
C2830	70-74	COVER - timing chain 454	26.85
A2861	68-82	GASKET SET - timing chain cover, 327/350	16.50
A2863	68-74	GASKET SET - timing chain cover, 427/454	25.00
A2862	68-69	TAB - timing cover, 350hp, 8' balance	20.20
B2835	68-69	TAB - timing chain cover all 68-69 427, all 327/350 w/spec. hi-perf	20.20

Valve Cover - 327/350

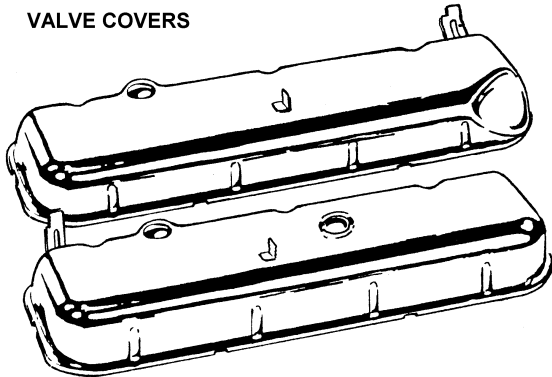
B2844	68-82	BOLT SET - valve cover, aluminum, all 327/350, 'M' hm, (8 pc.)	9.00
C3410	68-72	BOLT SET - valve cover, all 327/350 exc. special hi-perf., 'RBW' head mark, (8 pc.)	7.85
C6518	69-82	CAP - oil filler, chrome, twist-in	13.10
C2814	69-82	DECAL/EMBLEM - aluminum valve cover circle	5.45
A2867	68-82	GASKET SET - valve covers, 327/350, cork	14.00
C2850	71-81	GROMMET - PCV, all 350 w/steel valve cover	4.45
C2851	68-70	GROMMET - PCV & crankcase vent tube, all 327/350 w/base engine & steel valve covers	6.00
A4708	75-82	GROMMET - valve cover, 350 w/aluminum valve cover, LH, w/PCV	5.00
C2853	69-72	GROMMET - valve cover, aluminum (69-74 PCV LH, 69-82 vc vent tube RH)	3.25
C2810	69-77	VALVE COVER - aluminum 350, LH	168.50
C2811	69-77	VALVE COVER - aluminum 350, RH	168.50
C2849	68-82	VALVE COVER SET - chrome, replacement	39.95

Valve Cover - 427/454

C2800	68-69	BOLT SET - 427 valve cover, 'TR' hm, (14 pc.)	9.55
C2801	68-74	BOLT SET - 427/454 valve covers large 'RBW' hm, (14 pc.)	16.50
B0184	68-74	ELBOW - vent tube in RH valve cover, 427/454	14.85
B2847	68-74	GASKET SET - valve covers, cork w/silver sealant, as original, (pr)	21.30

B0160	68-74	GROMMET - PCV, valve cover, all 427/454, LH, (ea)	3.25
A4708	68-69	GROMMET - LH valve cover, 427 w/3x2	5.00
B2886	68-74	REINFORCEMENT SET - 427/454 valve cover bolts, (14 pc.)	12.25
B5422	68-74	SUPPORT - spark plug wire retainer, LH & RH, front valve cover, w/stand 427/454, (2 wire) (ea.)	3.50
B5456	68-74	SUPPORT - spark plug wire retainer, on valve cover, 427/454 (4 wire) (ea.) w/stand	3.50

VALVE COVERS



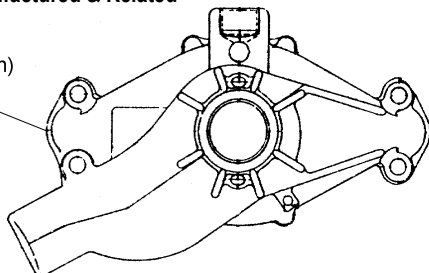
C2863	68L-69	VALVE COVER - 427, LH, flash chrome	543.15
C2861	68-69	VALVE COVER - 427, RH, flash chrome	543.15
C2804	70-71E	VALVE COVER - 454, LH, flash chrome, (thru #4000 in '71)	271.60
C2868	70-71E	VALVE COVER - 454, RH, flash chrome, (thru #4000 in '71)	271.60
C2866	71L-74	VALVE COVER - 454, LH, painted, (after #4000 in '71)	271.60
C2867	71L-74	VALVE COVER - 454, RH, painted, (after #4000 in '71)	271.60
C2802	68E	VALVE COVER SET - 427 Sept.- Dec. '67, flash chrome, (pr)	543.15
C2869	68L-69	VALVE COVER SET - 427 Sept.- Dec. '67, flash chrome, (pr)	543.15
C2865	70-71E	VALVE COVER SET - 454, flash chrome, (thru #4000 in '71) (pr)	543.15
C2817	71L-74	VALVE COVER SET - 454 painted, (after #4000 in '71) (pr)	543.15

Water Outlet / Thermostat Housings

B2205	68-82	BOLT SET - water outlet, exc. 350hp, 'TR' head mark	5.65
A2039	68-69	BOLT SET - thermostat housing, 327/350/350hp	6.70
A2003	68-82	GASKET - thermostat housing/water outlet	2.25
A2034	68	HOUSING - thermostat, GM repl for B2208	30.75
B2210	68-73	HOUSING - thermostat, all except L88, casting #3877660, exact reproduction w/gasket	54.95
B2208	68-69	HOUSING - thermostat, GM #3827369, 68-69 L88	59.40
C2084	74-81	HOUSING - thermostat	27.40
C2243	82	HOUSING - thermostat	12.80
C2075	78-82	HOUSING - thermostat, GM #469519 w/2 thermo-vacuum switch holes & gasket, exact repro.	41.50
B2045	68-69	SPACER - thermostat housing, L-88	30.00
C2224	68-74	STUD - thermostat housing attaching, 327/350, 3/8-16 both ends	7.80
A2025	68-82	THERMOSTAT - 160 degree	6.95
A2037	68-82	THERMOSTAT - 180 degree	6.95
A2000	68-82	THERMOSTAT - 195 degree	6.95

Water Pumps: Re manufactured & Related

WATER PUMP
(see application)

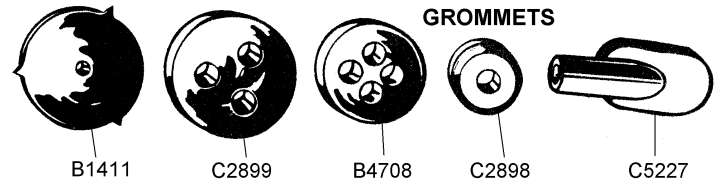


C9112	69L-70	WATER PUMP - 427/454 casting number 3931065 / restored	CALL
A9150	68-72	BOLT - water pump to block, 327/350 RH lower 'TR' head mark	4.35
A5131	68-72	BOLT - water pump, 3/8'x16x1, 3/4', 'TR' head mark	2.95

A5107	68-74	BOLT KIT - water pump mounting, all 327/350 w/o AC or A.I.R., 'TR' head mark (4 pc)	13.75
B5113	68-76	BOLT KIT - water pump mounting, all 327/350 w/AC (4 pc)	13.45
B5195	68-74	BOLT/STUD KIT - water pump, 427/454 w/AC, 2 bolts, 'TR' head mark, 2 studs, (4 pc.)	24.25
B5196	68-74	BOLT/STUD KIT - water pump, 427/454 w/o AC, 3 bolts, 'TR' head mark, 1 stud, (4 pc.)	14.00
B1949	68-74	CLAMP SET - water pump bypass hose, 427/454, (pr)	8.80
B5120	68-82	FITTING - heater hose, 68-72 w/AC, 73-82 all, correct	14.70
B2092	68-72	FITTING - water pump, for heater hose, w/o AC, repl.	13.25
G5101		FORM-A-GASKET - Permatex no. 2 sealant, non-hardening sealant for use w/cut gaskets, 1.5 oz. tube	4.10
G5100		FORM-A-GASKET - Permatex no.1 sealant, hard setting sealant for rigid materials and flanges, 1.5 oz. tube	4.10
A9101	68-82	GASKET SET - water pump, V8 (pr)	3.65
B2033	68	HOSE - bypass, intake to water pump, w/427 & A.I.R. #3882829	22.45
B2095	68-74	HOSE - bypass, intake to water pump 427/454	7.95
B2062	68-69	PIPE - bypass water pump 427 w/o air	6.75
A9107	68-80	PLUG - intake, water pump heater delete	5.85
A9112	68-70	REBUILD KIT - water pump, 327/350, w/bearing seal, correct backing plate, screws, gaskets & instructions	69.95
B9105	68-69	REBUILD KIT - water pump, 427, w/bearing seal, correct backing plate, screws, gaskets & instructions	69.00
A9109	68-82	REBUILD SERVICE - your water pump, 327/350, V8, w/gaskets	79.95
B6667	68-74	REBUILD SERVICE - your water pump, 427/454, w/gaskets	79.95
A6810	68	REINFORCEMENT - water pump pulley, all 327 exc. sp. hi-perf. w/AC	6.95
B9150	68-74	STUD - water pump attaching, all 427/454	6.25
B9106	68-70	WATER PUMP - 327/350 GM #3782608, dated: call for available dates	159.95
C9101	71-72E	WATER PUMP - 350, GM #3991399, specify date, used thru March 1972 re manufactured	205.00
C9106	71-82	WATER PUMP - 350, new	97.85
C9107	71-82	WATER PUMP - 350, aluminum, new Edelbrock	147.15
C9103	72L-82	WATER PUMP - 350, GM #330813, used as early as April 1972, specify date & pilot size on hub, re manufactured	205.00
B9110	68-69E	WATER PUMP - 427, GM #3856284 restored / dated, call for available dates	319.95
C9105	69L-70	WATER PUMP - 427/454, GM #3940960, specify date, 5/8 pilot hub	CALL
C9102	71-72	WATER PUMP - 454, GM #3992077, specify date, re manufactured	249.95
C9104	72-74	WATER PUMP - 454, GM #386100, specify date, re manufactured	249.95

ENGINE COMPARTMENT

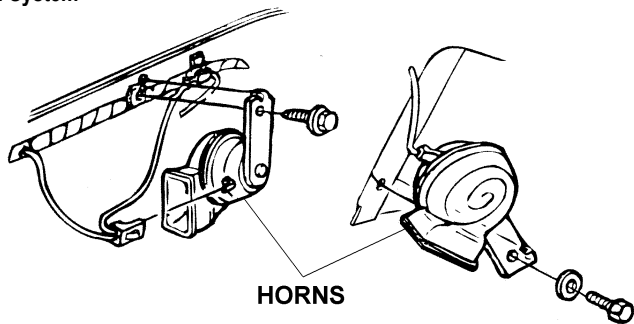
Grommets & Plugs



C5634	68-77	GROMMET - carpet, (8 pc.)	33.65
A5667	68-76	GROMMET - dimmer switch, correct, rubber	11.00
C5227	68-76	GROMMET - hood release cable in firewall	8.50
C2898	68-72	GROMMET - main harness, TI/vacuum line, (in radiator support)	3.25
B4708	68-74	GROMMET - oil line, tach cable through firewall, 4 hole	6.60
B1411	68-82	GROMMET - speedo cable, snaps into firewall, 1 hole	8.95
C2899	68-82	GROMMET - vacuum hose thru firewall, 3 hole	7.25
C5878	68-82	PLUG - drain, long style, storage compartment, GM #3948148	4.00
C5658	68-71	PLUG KIT - floor plan	7.95
C5659	72-75	PLUG KIT - floor plan	9.70

VISIT US ON THE WEB AT
www.ChicagoCorvette.net

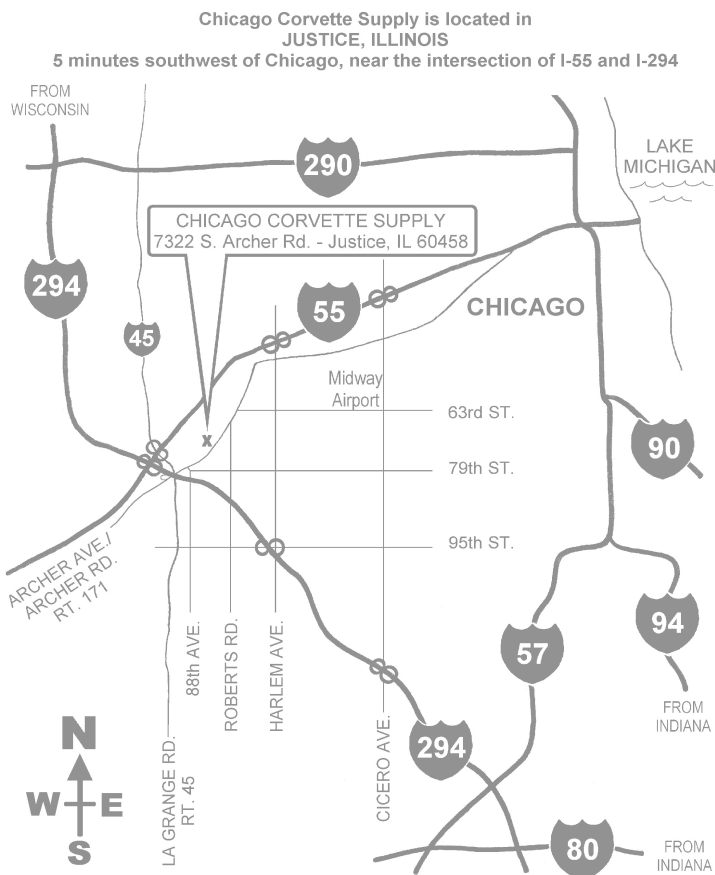
Horn System



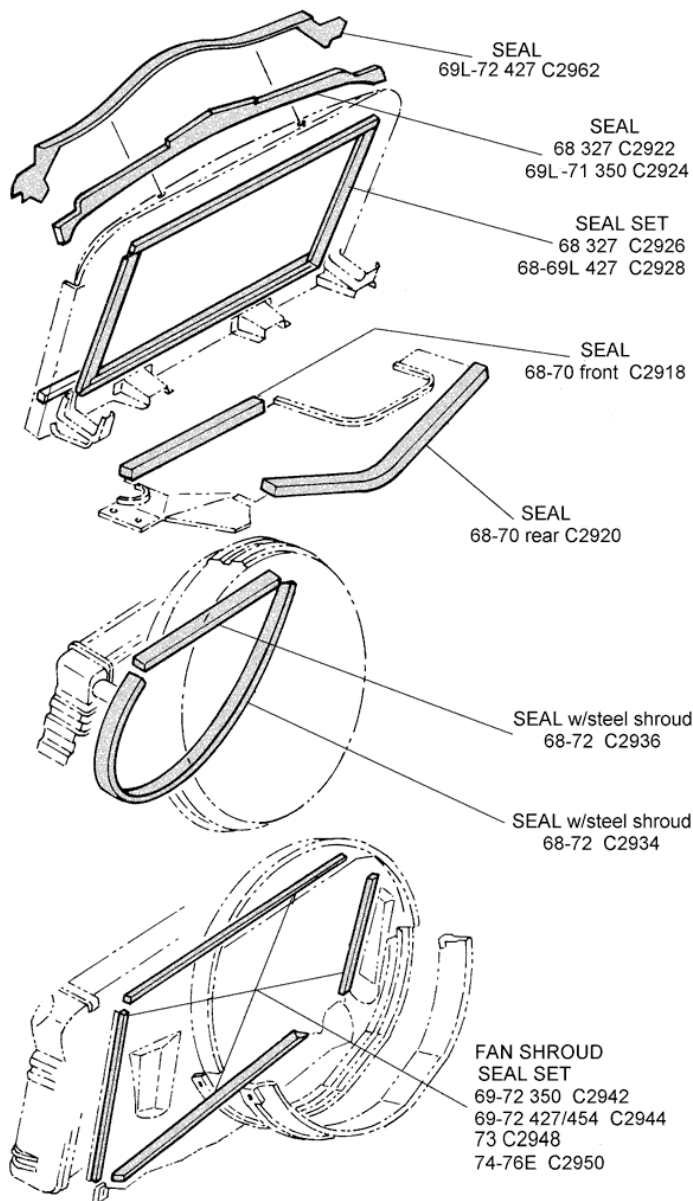
C9982	74-76	HARNESSES - headlight harness to dual horn extension	13.45
C1087	82	HARNESSES - headlight harness to horn extension, (2 req.) (ea)	16.60
A3041	68-82	HORN - hi note, w/bracket, does not look like original	46.95
A3042	68-82	HORN - low note, w/bracket, does not look like original	46.95
A3001	68-82	HORN SET - hi/low note, 68-82 shape, made of metal with universal brackets	99.00
B3041	68-70	HORN SET - hi/low note w/Delco Remy logo, part number & correct metal brackets	150.00
C8650	68-71	RELAY - horn / 3 slide on terminals on bottom w/ 2 screw on side terminals, replacement	39.95
C8695	68	RELAY - horn, restored original #1115862, w/o alarm	95.00
NOTE: C8695 are original horn relays that are tested, replated and ready to install.			
C8696	69-70	RELAY - horn, restored original #1115890, w/o alarm	95.00
C8698	72	RELAY - horn, restored original #3996283	95.00
C8688	79-82	RELAY - horn	14.95
C8689	79-82	RELAY - horn	11.95
B3031	68-75	REPAIR KIT - horns, for restoration of 2 horns, includes rivets, metal diaphragm, stud & instructions	36.25
B3002	68-75	SCREW - horn relay mount	1.00
B3014	68-75	SCREW & NUT KIT - horn relay mount, (6 pc.)	6.95
B5150	68-71	STUD PLATE - horn relay fastener	14.70

Paint

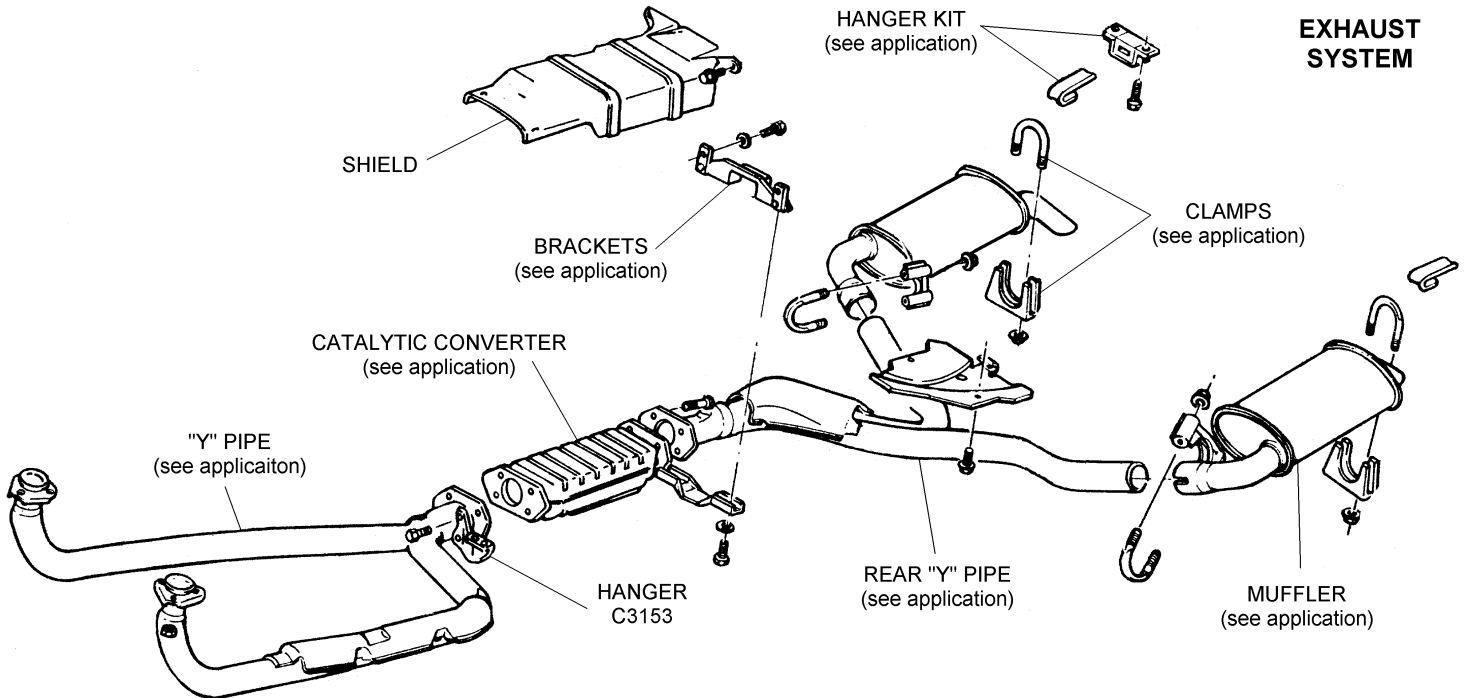
G5035	68-82	PAINT - AC condenser, black, improves cooling efficiency	17.50
-------	-------	--	-------



Seals

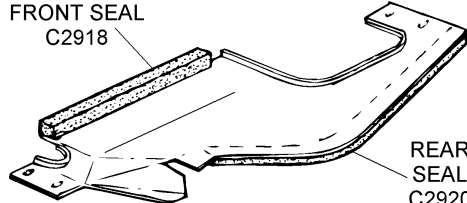


C2916	68-81	BOOT/SEAL - clutch rod, on firewall	13.95
C2990	68-72	BRACKET - splash & heat shield mount	10.70
C2858	68-78	FASTENER - engine compartment seals, push-in type	13.15
C2904	68L-82	FLAP KIT - A-arm, w/push-in fastener, (pr)	13.95
C2902	68E	FLAP KIT - A-arm, w/staples, (pr)	15.25
C2821	68	SEAL - air dam, 327	26.50
C2877	68-69E	SEAL - air dam, radiator support to hood, 427	22.25
C2878	69	SEAL - air dam, 350	6.25
C2879	70-71	SEAL - air dam, 70 350, 70-71E LT1, set	12.40
C2896	71-72	SEAL - air dam, 71L-72 LT1, (2 PIF)	22.80
C2881	71	SEAL - air dam, 350, (2 PIF)	22.80
C2882	72	SEAL - air dam, 350, (2 PIF)	22.80
C2883	69-71	SEAL - air dam, 69 L88, 70 ZR1, 71 LS6 & ZR1 & ZR2	41.20
C2884	69E	SEAL - air dam, 427	9.35
C2885	69L	SEAL - air dam, 427, (2 PIF)	12.40
C2886	70	SEAL - air dam, 454	12.45
C2887	71	SEAL - air dam, 454, (2 PIF)	22.80
C2888	72	SEAL - air dam, 454, (2 PIF)	22.25
C2890	73	SEAL - air dam, all, (2 PIF)	22.80
C2891	74-75	SEAL - air dam, all, (2 PIF)	22.70
C2892	76-78	SEAL - air dam, 76-77 all, 78 L48, set, (2 PIF)	15.55
C2893	78-79	SEAL - air dam, 78 L82, 79 all, set, (2 PIF)	15.55
C2894	80-81	SEAL - air dam, all, set	19.70
C2895	82	SEAL - air dam, all, set	17.60
NOTE: PIF = number of C2858 "push-in" fasteners required.			
C2934	68-72	SEAL - fan shroud, lower u shaped, attaches w/staples	23.30
C2936	68-72	SEAL - fan shroud upper, steel shroud	6.95
C2938	68	SEAL - fan shroud, plastic, upper	8.35
C2857	68E	SEAL - lower grille panel	18.70



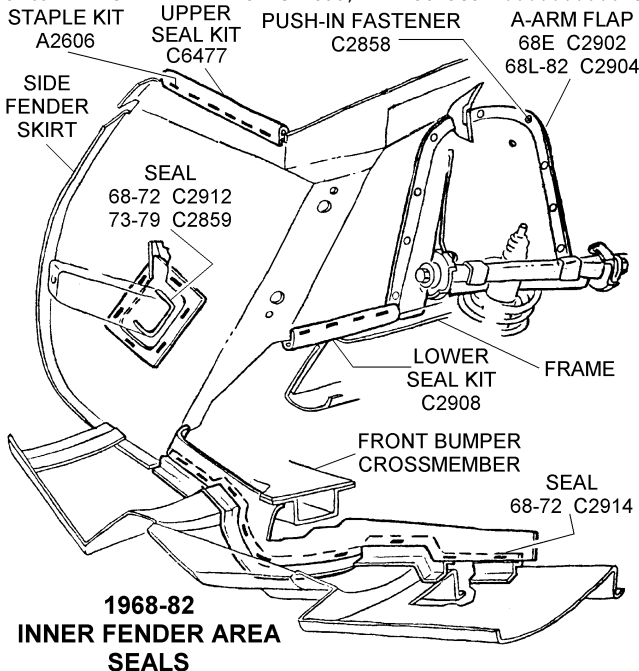
C2914 68-72 SEAL - lower grille/baffle panel20.60

FRONT SEAL
C2918



- C2918 68-70 SEAL - radiator lower baffle, front7.10
- C2920 68-70 SEAL - radiator lower baffle, rear6.95
- C2856 68-69E SEAL - radiator support, bottom edge10.10
- C2922 68 SEAL - radiator support to hood, 32722.00
- C2924 69L-71 SEAL - radiator support to hood, 35023.35
- C2962 69-72 SEAL - radiator support to hood, 427/45420.70
- B2928 68-82 SEAL - wiper motor, to firewall3.95
- C2912 68-72 SEAL KIT - bumper brace, front, (pr)9.95
- C2859 73-79 SEAL KIT - bumper brace, front, (pr)10.30
- C2942 69-72 SEAL KIT - fan shroud, plastic, (4 pc.) 35021.00
- C2944 69-72 SEAL KIT - fan shroud, plastic, (4 pc.) 427/45419.95
- C2946 70-72 SEAL KIT - fan shroud, plastic, (4 pc.) LT119.95
- C2948 73 SEAL KIT - fan shroud, plastic, (4 pc.)23.35
- C2950 74-76E SEAL KIT - fan shroud, plastic, (4 pc.)21.00
- C2855 69-72 SEAL KIT - fan shroud, HD radiator23.35

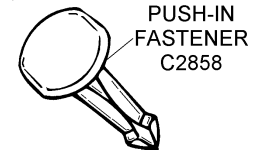
- C2823 69E SEAL KIT - radiator support, before 12/12/68, (4 pc.)26.40
- C2963 69L-72 SEAL KIT - radiator support, LT1, (4 pc.) (5 PIF)24.15
- C2964 73 SEAL KIT - radiator support, 350/454, (4 pc.) (7 PIF)23.35
- C2965 74-75 SEAL KIT - radiator support, w/o AC, 350/454, (4 pc.) (7 PIF)20.70
- C2966 74-75 SEAL KIT - radiator support, w/AC, 350/454, (5 pc.) (7 PIF)20.70
- C2967 76E SEAL KIT - radiator support, w/o AC or L82, (5 pc.) (7 PIF)20.70
- C2968 76E SEAL KIT - radiator support, w/AC or L82, (5 pc.) (7 PIF)20.70
- C2959 76L-78 SEAL KIT - radiator support, w/o AC, L82 or HD, (4 pc.) (2 PIF)20.60
- C2870 76L-78 SEAL KIT - radiator support, w/AC, L82 or HD, (4 pc.) (2 PIF)20.60
- C2871 79-80 SEAL KIT - radiator support, w/o AC, L82 or HD, (4 pc.)20.60
- C2873 79-80 SEAL KIT - radiator support, w/AC, L82, HD, (4 pc.)25.75
- C2928 68 SEAL KIT - radiator support, (4 pc.), 42720.70
- C2926 68 SEAL KIT - radiator support, (5 pc.), 32723.35
- C2930 69L-72 SEAL KIT - radiator support w/o LT-1, 35023.35
- C2993 68-69 SHIELD - heat, attaches of frame under floor pan, (2 req.) (ea)29.00



C6477 68-82 SEAL KIT - inner fender, lower, (2 pc.)26.50



A2606 68-82 STAPLE SET - engine compartment seal, (SS) (25 pc.)4.95

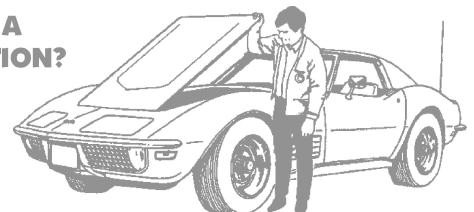


Splash Shields & Related

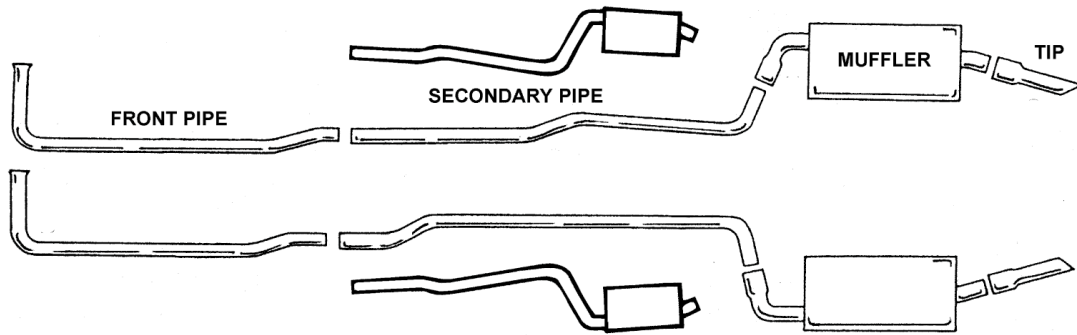
- B0760 68 BOLT SET - inner splash shields, 'RBW' hm w/washers, (8 pc.)10.90
- C8714 68-69 INSULATION - under body blanket, LH32.50
- C8712 68-69 INSULATION - under body blanket, RH32.50
- C8796 68-69 INSULATION SET - under body blankets, pr59.95
- C2985 68-74 SEAL SET - outer splash shield, (pr)13.20
- C2831 68E SHIELD - splash, inner, metal, LH or RH, (ea)19.35
- C2834 69E-72 SHIELD - splash, inner, metal, RH w/AC25.00

DO YOU HAVE A TECHNICAL QUESTION?

Call our technical department at 708-458-2500 for assistance.

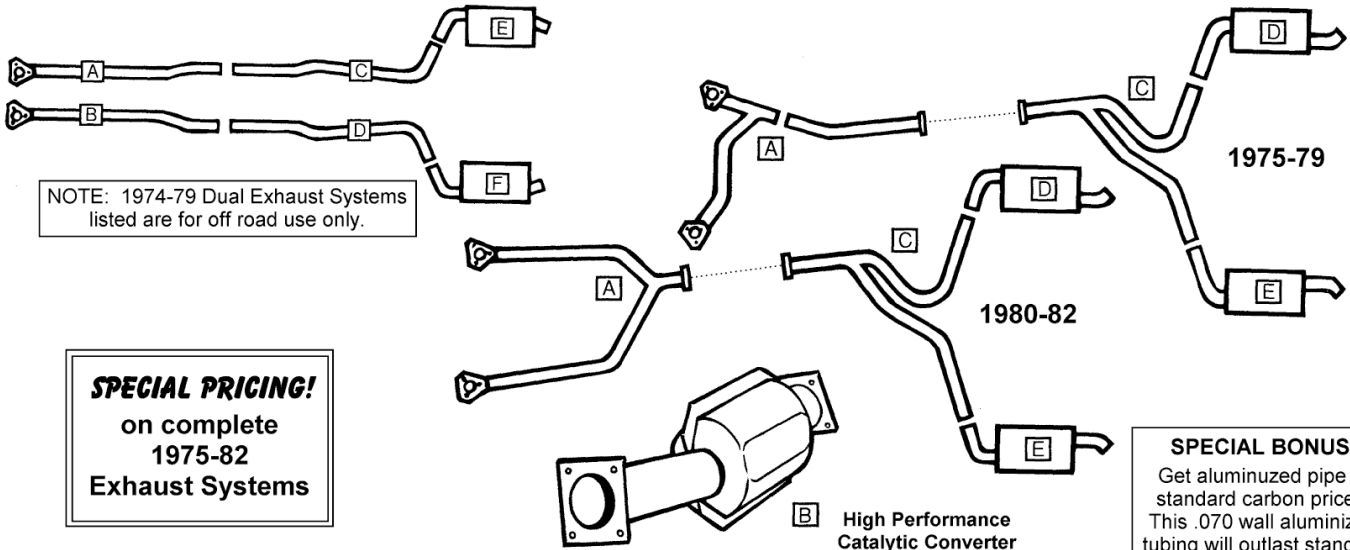


ALUMINIZED EXHAUST SYSTEMS (complete with mufflers)

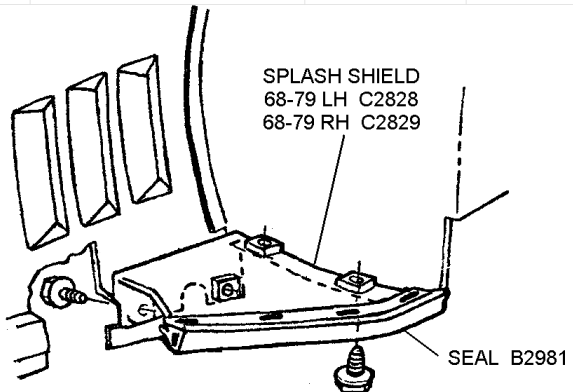


All systems include Header Pipe Flanges, Sleeves, Donut Gaskets and Clamps. Hangers are not included. All our systems include aluminized tubing. Aluminized components in your system will last twice as long as standard carbon parts.

YEAR	APPLICATION	FRONT PIPE (sold in pairs)	SECONDARY PIPE (sold in pairs)	MUFFLER (sold in pairs)	COMPLETE SYSTEM
68	427, 4-Speed, 2.5"	C3503	C3519	C3527	C3537
	427, Auto, 2.5"	C3504	C3521	C3527	C3538
	427, 4-Speed, 2.5"	C3503	PART OF MUFFLER	C3578	C3215
	427, Auto 2.5"	C3504	PART OF MUFFLER	C3203	C3217
68-72	327/350 Hi-Perf., Auto, 2" to 2.5"	C3501	C4715	C3527	C3543
	327/350 Hi-Perf., Auto, 2" to 2.5"	C3502	C4715	C3527	C3536
	68-72 327/350 Hi-Perf., 4-Speed, 2" to 2.5"	C3501	PART OF MUFFLER	C3578	C3225
	327/350 Hi Perf., Auto	C3506	PART OF MUFFLER	C3203	C3327
69	427, 4-Speed, 2" to 2.5"	C3507	C6569	C3528	C3541
	427, Auto, 2" to 2.5"	C3508	C6538	C3528	C3542
	427, 4-Speed, 2" to 2.5"	C3507	PART OF MUFFLER	C3684	C3686
	427, Auto, 2" to 2.5"	C3508	PART OF MUFFLER	C3685	C3687
69-72	350, 4-Speed, 2"	C3505	C3522	C3528	C3539
	350, Auto, 2"	C3506	C3523	C3528	C3540
	350, 4-Speed, 2"	C3505	PART OF MUFFLER	C3214	C3221
	350, Auto, 2"	C3506	C3539	C3528	C3540
70-72	454, 4-Speed, 2.5"	C3503	C4715	C3527	C3544
	454, Auto, 2.5"	C3509	C4715	C3527	C3545
	454, 4-Speed, 2.5"	C3503	PART OF MUFFLER	C3578	C3229
	454, Auto, 2.5"	C3509	PART OF MUFFLER	C3203	C3231
73	350, 4-Speed, 2"	C3505	C6569	C3257	C3129
	350, Auto, 2"	C3506	C6538	C3257	C3130
	350, Auto, Hi-Perf., 2" to 2.5"	C3501	C4715	C3181	C3131
	350, Auto, Hi-Perf., 2" to 2.5"	C3502	C4715	C3181	C3132
	454, 4-Speed, 2.5"	C3503	C4715	C3181	C3133
	454, Auto, 2.5"	C3509	C4715	C3181	C3134
73	350, 4-Speed, 2"	C3505	PART OF MUFFLER	C2281	C2293
	350, Auto, 2"	C3506	PART OF MUFFLER	C2294	C2295
	350, 4-Speed, Hi-Perf., 2" to 2.5"	C3501	PART OF MUFFLER	C2296	C3347
	350, Auto, Hi-Perf, 2" to 2.5"	C3502	PART OF MUFFLER	C3483	C3485
	454, 4-Speed, 2.5"	C3634	PART OF MUFFLER	C3487	C3633
	454, Auto, 2.5"	C3509	PART OF MUFFLER	C3635	C3636
74	350, 4-Speed, 2"	C3505	C6569	C3552	C3546
	350, Auto, 2"	C3506	C6538	C3552	C3547
	L-82, 4-Speed, 2" to 2.5"	C3501	C4715	C3576	C3548
	L-82, Auto, 2" to 2.5"	C3502	C4715	C3576	C3549
	454, 4-Speed, 2.5"	C3503	C4715	C3576	C3550
	454, Auto, 2.5"	C3509	C4715	C3576	C3551
74	350, 4-Speed, 2"	EXHAUST SYSTEM WITH HIDE-AWAY MUFFLERS		C3559	C3250
	350, Auto, 2"	EXHAUST SYSTEM WITH HIDE-AWAY MUFFLERS		C3559	C3252
	L-82, 4-Speed, 2" to 2.5"	EXHAUST SYSTEM WITH HIDE-AWAY MUFFLERS		C3562	C3251
	L-82, Auto, 2" to 2.5"	EXHAUST SYSTEM WITH HIDE-AWAY MUFFLERS		C3562	C3249
	454, 4-Speed, 2.5"	EXHAUST SYSTEM WITH HIDE-AWAY MUFFLERS		C3562	C3107
	454, Auto, 2.5"	EXHAUST SYSTEM WITH HIDE-AWAY MUFFLERS		C3562	C3109



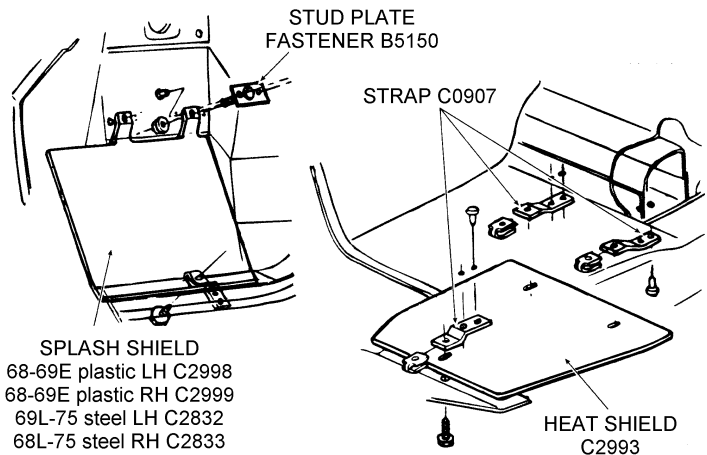
Year	Application	Front Y Pipe	Hi-Perf. Converter	Rear Y Pipe	Muffler	System w/ Converter
75		C3597	C3145	C3239	C3533	C3110
76	w/A.I.R. Injector Pump	C3597	C3145	C3239	C3533	C3592 (Round) C3667 (Hide Away)
	w/o A.I.R. Injector Pump	C3597	C3145	C3239	C3533	C3286 (Round) C3666 (Hide Away)
77	ALL	C3998	C3155	C3241	C3533	C3272 (Round) C3675 (Hide Away)
78	L-48	C3998	C3155	C3241	C3260	C3272 (Round) C3675 (Hide Away)
	L-82	C3398	C3155	C3241	C3260	C3262
79	ALL	C3998	C3155	C3241	C3260	C3261
80	350	C3561	C3155	C3243	C3264	C3237
	305	C3682	C3155	C3243	C3264	C3283
81	ALL	C3619	C3155	C3243	C3264	C3235
82	ALL	C3558	C3159	C3245	C3264	C3233



C2993	68-69	SHIELD - heat, attaches of frame under floor pan, (2 req.) (ea)	29.00
C2998	68L-69E	SHIELD - splash, inner, plastic, on firewall, LH	27.75
C2999	68L-69E	SHIELD - splash, inner, plastic, on firewall, RH	27.75
C2832	69L-75	SHIELD - splash, inner, on firewall, LH	24.85
C2833	69L-75	SHIELD - splash, inner, on firewall, RH	24.85
C2910	69-75	SHIELD SET - heat, body sill wedge, triangular black shield mounts between firewall & splash shields, along the frame, (pr)	6.25
C2909	69-75	SHIELD SET - heat, frame rail, mounts between frame rail & under body in front of #2 body mount, (pr)	17.60
C2907	68-75	STRAP/BACKET - under body heat shield attaching, (3 req.) (ea)	9.70

C2828	68-79	SHIELD - splash, outer, metal, LH / 68/9 replacement	24.95
C2829	68-79	SHIELD - splash, outer, metal, RH	24.95

VISIT US ON THE WEB AT
www.ChicagoCorvette.net



SPLASH SHIELD
 68-69E plastic LH C2998
 68-69E plastic RH C2999
 69L-75 steel LH C2832
 68L-75 steel RH C2833

STUD PLATE FASTENER B5150

HEAT SHIELD C2993

B5150 68-72 STUD/PLATE - splash shield, (4 req.) (ea)14.70

Tie Straps (Individual)

B2986 68-73	TIE STRAP - plastic push-in style	1.60
B2984 68-74	TIE STRAP - 'T' style, 5'	2.25
B2987 68-69	TIE STRAP - push-in, 3', (also for '77)	2.00
C2994 69-75	TIE STRAP - 'T' style, 7'	1.50
C2955 74	TIE STRAP - 'T' style, 11'	2.00
C2951 74-78	TIE STRAP - push-in style, 4'	4.70
C2952 74-80	TIE STRAP - adjustable	2.55
C2953 76-82	TIE STRAP - ladder style	2.45
C2954 76-82	TIE STRAP - snap together	2.45

EXHAUST

Aluminized Exhaust Systems & Individual Pipes

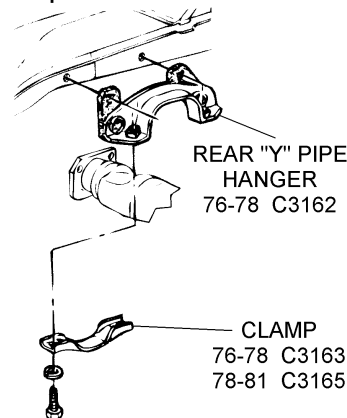
C3537 68	COMPLETE SYSTEM - 427, 4-speed, 2.5'	299.95
C3215 68	COMPLETE SYSTEM - 427, 4-speed 2.5' welded	324.20
C3217 68	COMPLETE SYSTEM - 427, auto, 2.5' welded	324.20
C3543 68-72	COMPLETE SYSTEM - 327/350, 4-speed, sp. hi-perf, 2' to 2.5'	284.80
C3536 68-72	COMPLETE SYSTEM - 327/350, hi-perf, auto, 2' to 2.5'	293.35
C3225 68-72	COMPLETE SYSTEM - 327/350, 4-speed, hi-perf, 2' to 2.5' welded	317.80
C3327 68-72	COMPLETE SYSTEM - 327/350, auto, hi-perf, 2' to 2.5' welded	317.80
C3541 69	COMPLETE SYSTEM - 427, 4-speed, 2' to 2.5'	286.75
C3542 69	COMPLETE SYSTEM - 427, auto, 2' to 2.5'	293.35
C3686 69	COMPLETE SYSTEM - 427, 4-speed, 2' to 2.5' welded	317.80
C3687 69	COMPLETE SYSTEM - 427, auto, 2' to 2.5' welded	317.80
C3539 69-72	COMPLETE SYSTEM - 350, 4-speed, 2'	287.40
C3540 69-72	COMPLETE SYSTEM - 350, auto, 2'	290.40
C3221 69-72	COMPLETE SYSTEM - 350, 4-speed, 2' welded	311.35
C3544 70-72	COMPLETE SYSTEM - 454, 4-speed, 2.5'	299.95
C3545 70-72	COMPLETE SYSTEM - 454, auto, 2.5'	299.95
C3229 70-72	COMPLETE SYSTEM - 454, 4-speed, 2.5' welded	324.20
C3231 70-72	COMPLETE SYSTEM - 454, auto, 2.5' welded	324.20
C3129 73	COMPLETE SYSTEM - 350, auto, 2' welded	324.20
C3130 73	COMPLETE SYSTEM - 350, auto, 2'	291.10
C3131 73	COMPLETE SYSTEM - 350, 4-speed, hi-perf, 2' to 2.5' welded	328.60
C3132 73	COMPLETE SYSTEM - 350, auto, hi-perf, 2' to 2.5'	310.65
C3133 73	COMPLETE SYSTEM - 350, 4-speed, hi-perf, 2.5'	310.65
C3134 73	COMPLETE SYSTEM - 454, auto, 2.5'	310.65
C2295 73	COMPLETE SYSTEM - 350, auto, 2'	315.50
C3142 73	COMPLETE SYSTEM - 350, 4-speed, hi-perf, 2' to 2.5' welded	328.60
C3485 73	COMPLETE SYSTEM - 350, auto, hi-perf, 2' to 2.5' welded	328.60
C3636 73	COMPLETE SYSTEM - 454, auto, 2.5' welded	335.10
C3546 74	COMPLETE SYSTEM - 350, 4-speed, 2'	295.10
C3547 74	COMPLETE SYSTEM - 350, auto, 2'	291.10
C3548 74	COMPLETE SYSTEM - L82, 4-speed, 2' to 2.5'	304.20
C3549 74	COMPLETE SYSTEM - L82, auto, 2' to 2.5'	304.20
C3550 74	COMPLETE SYSTEM - 454, 4-speed, 2.5'	310.65
C3551 74	COMPLETE SYSTEM - 454, auto, 2.5'	310.65
C3107 74	COMPLETE SYSTEM - 454, 4-speed, 2.5'	358.60
C3109 74	COMPLETE SYSTEM - 454, auto, 2.5'	299.95

C3250 74-79	COMPLETE SYSTEM - 350, 4spd, 2' w/hideaway mufflers	287.40
C3252 74-79	COMPLETE SYSTEM - 350, auto, 2' w/hideaway mufflers	287.40
C3251 74-79	COMPLETE SYSTEM - L82, 4-speed, 2' to 2.5' w/hideaway mufflers	313.30
C3249 74-79	COMPLETE SYSTEM - L82, auto, 2' to 2.5' w/hideaway mufflers	293.35
C3110 75	COMPLETE SYSTEM - w/converter	484.05
C3592 76	COMPLETE SYSTEM - w/A.I.R injector pump, original round mufflers	484.05
C3667 76	COMPLETE SYSTEM - w/A.I.R. injector pump, hide away mufflers	484.05
C3286 76	COMPLETE SYSTEM - w/o A.I.R. injector pump, round mufflers	484.05
C3666 76	COMPLETE SYSTEM - w/o A.I.R. injector pump, hide-away mufflers	484.05
C3272 77-78	COMPLETE SYSTEM - w/round mufflers (77 all, 78 L-42 only)	484.05
C3675 77-78	COMPLETE SYSTEM - w/hide-away mufflers (77 all, 78 L-48 only)	484.05
C3262 78	COMPLETE SYSTEM - L-82	484.05
C3261 79	COMPLETE SYSTEM	484.05
C3237 80	COMPLETE SYSTEM - 350	504.65
C3235 81	COMPLETE SYSTEM	504.65
C3233 82	COMPLETE SYSTEM	504.65
C3145 75-76	CONVERTER - hi-perf	144.00
C3155 77-81	CONVERTER - hi-perf	144.00
C3159 82	CONVERTER - hi-perf	154.00
C3503 68	FRONT PIPE SET - 427, 4-speed, 2.5'	144.85
C3504 68	FRONT PIPE SET - 427, auto, 2.5'	144.85
C3501 68-72	FRONT PIPE SET - 327/350, 4-speed, sp. hi-perf, 2' to 2.5'	119.75
C3502 68-72	FRONT PIPE SET - 327/350, auto, hi-perf, 2' to 2.5'	144.85
C3506 68-72	FRONT PIPE SET - 327/350, auto, hi-perf, 2' to 2.5'	144.85
C3507 69	FRONT PIPE SET - 427, 4-speed, 2' to 2.5'	140.85
C3508 69	FRONT PIPE SET - 427, auto, 2' to 2.5'	140.85
C3505 69-72	FRONT PIPE SET - 350, 4-speed, 2'	118.25
C3509 70-72	FRONT PIPE SET - 454, auto, 2.5'	144.85
C3634 73	FRONT PIPE SET - 454, 4-speed, auto	144.85
C3597 75-76	FRONT 'Y' PIPE	145.90
C3998 77-79	FRONT 'Y' PIPE	144.00
C3561 80	FRONT 'Y' PIPE - 350	204.00
C3682 80	FRONT 'Y' PIPE - 305	180.00
C3619 81	FRONT 'Y' PIPE	204.00
C3558 82	FRONT 'Y' PIPE	183.75
C3239 75-76	REAR 'Y' PIPE	167.75
C3241 76-78	REAR 'Y' PIPE	149.00
C3243 80-81	REAR 'Y' PIPE	123.15
C3245 82	REAR 'Y' PIPE	145.00
C3519 68	SECONDARY PIPE SET - 427, 4-speed, 2.5'	105.00
C3521 68	SECONDARY PIPE SET - 427, auto, 2.5'	98.40
C4715 68-72	SECONDARY PIPE SET - 327/350, 4-speed, sp. hi-perf, 2' to 2.5'	112.00
C6569 69	SECONDARY PIPE SET - 427, 4-speed, 2' to 2.5'	98.40
C6538 69	SECONDARY PIPE SET - 427, auto, 2' to 2.5'	98.40
C3522 69-72	SECONDARY PIPE SET - 350, 4-speed, 2'	98.40
C3523 69-72	SECONDARY PIPE SET - 350, auto, 2'	91.35

Catalytic Converter - Factory Style System

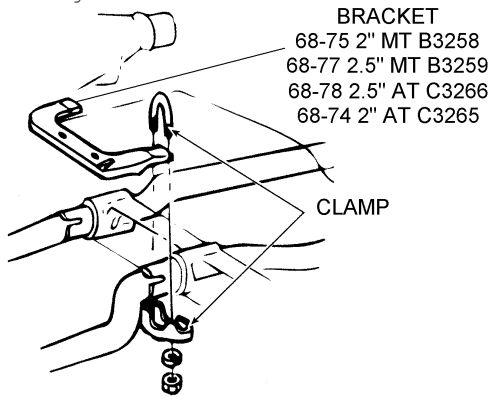
C3120 81-82	AIR TUBE KIT - converter	32.70
C3152 82	SUPPORT/HANGER - catalytic converter	2.40

Hangers, Brackets, Clamps & Miscellaneous



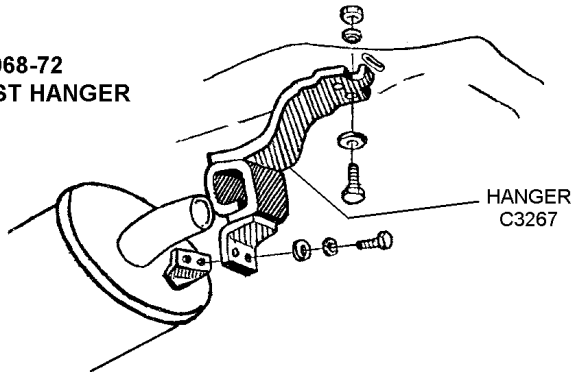
A3159 68-82	CLAMP - exhaust, 2.5', (ea)	1.50
B3165 68-75	CLAMP - exhaust pipe, 2' guillotine style, as original	2.85
A3157 68-82	CLAMP - exhaust, 2.25', heavy duty	2.70

A3162	68-82	CLAMP - exhaust, 2.5', heavy duty	3.30
A3160	75-82	CLAMP - exhaust, 2.75', heavy duty	129.00
B3166	68-72	CLAMP - exhaust, 2.5', guillotine style as original	4.05

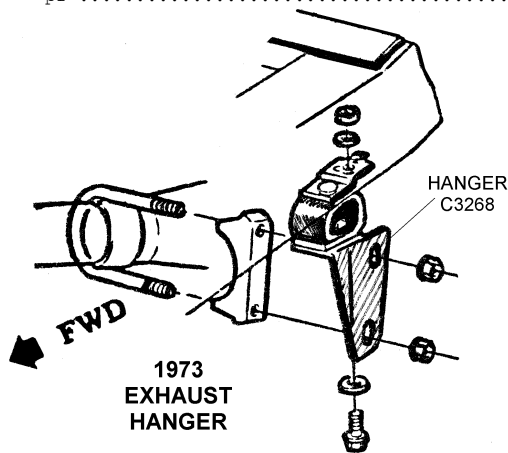


C3165	78-72	CLAMP - rear exhaust Y-pipe hanger	14.70
A3278	68-82	CLAMP/'U' BOLT - 2.5', stainless steel, (ea)	7.95
A3274	68-82	CLAMP/'U' BOLT - 2', stainless steel, (ea)	7.95
B3259	68-77	HANGER - front, center, 2.5', w/manual trans	31.90
C3266	68-78	HANGER - 2.5', center, (68, 70-74 454, 74-75 w/350 sp. hi-perf., 74-77 w/M-40 & 78), attaches to transmission mounting boss	45.00
C3265	68-74	HANGER - 2', center, w/automatic trans., 69-72 exc. side exhaust, 427 & 454, 73-75 w/AT, 350 exc. sp. hi-perf.	39.25
C3162	76-79	HANGER - rear exhaust, Y-pipe, 76-78 w/4 speed, 1979 all	26.95

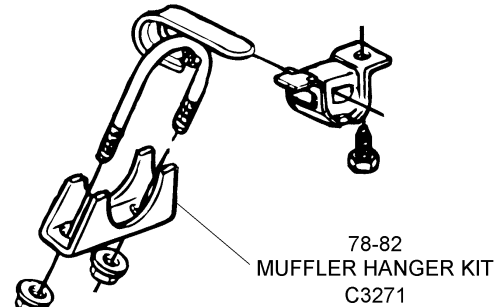
1968-72 EXHAUST HANGER



C3267	68-72	HANGER SET W/MOUNT KIT - muffler exhaust, pr	27.95
-------	-------	--	-------



C3268	73	HANGER KIT - muffler exhaust, RH & LH, pr	35.90
C3269	74	HANGER KIT - tail pipe/muffler, (pr)	32.70
C3170	75-77	HANGER KIT - tail pipe/muffler, w/clamp & hardware, (pr)	31.45



C3271	78-82	HANGER KIT - tail pipe/muffler, (4 pc.)	44.95
C8795	69	PLATE - transmission mount spacer, all w/side exhaust	10.65
C3135	81	SHIELD - rear crossover pipe	13.15
C3197	76-79	SUPPORT - exhaust pipe, 76-78 w/4 speed, 79 all	22.00

Kits - 1968-73 Stainless Steel, Factory Style System (without mufflers or tips)

C3202	68-69	EXHAUST KIT - stainless steel, 2 1/2' 427, 4 speed	301.75
C3270	68-69	EXHAUST KIT - stainless steel, 2 1/2' B.B., auto	256.00
C3206	68-73	EXHAUST KIT - stainless steel, 2' L48, auto	301.75
C3208	68-73	EXHAUST KIT - stainless steel, 2' L48, 4 speed	301.75
C3210	68-73	EXHAUST KIT - stainless steel, 2 1/2' auto	284.50
C3212	68-73	EXHAUST KIT - stainless steel, 2 1/2' 4 speed	284.50
C3222	69	EXHAUST KIT - stainless steel, 2', 454	256.00
C3224	70-73	EXHAUST KIT - stainless steel, 2 1/2', 454, 4 speed	256.00
C3226	70-73	EXHAUST KIT - stainless steel, 2 1/2', 454, auto	256.00
C3228	74	EXHAUST KIT - stainless steel, 2 1/2', 454, 4 speed	301.75
C3230	74	EXHAUST KIT - stainless steel, 2 1/2', 454, auto	256.00
C3232	74-79	EXHAUST KIT - stainless steel, 2' L48, auto	301.75
C3234	74-79	EXHAUST KIT - stainless steel, 2' L48, 4 speed	264.00
C3236	74-79	EXHAUST KIT - stainless steel, 2 1/2' auto	301.75
C3238	74-79	EXHAUST KIT - stainless steel, 2 1/2' 4 speed	522.30

Kits - Chambered Exhaust (Under car, no mufflers required)

C3136	68-74	EXHAUST KIT - chambered, 327/350 w/automatic trans., 2' at exhaust manifold to 2 1/2 - 3' chambered tube	360.00
C3137	68-74	EXHAUST KIT - chambered, 327/350 w/manual trans., 2' at exhaust manifold to 2 1/2 - 3' chambered tube	360.00
C3138	68-74	EXHAUST KIT-chambered, 427/454 w/automatic trans., specify yr.	360.00
C3139	68-74	EXHAUST KIT-chambered, 427/454 w/manual trans., specify yr.	534.50

Mufflers

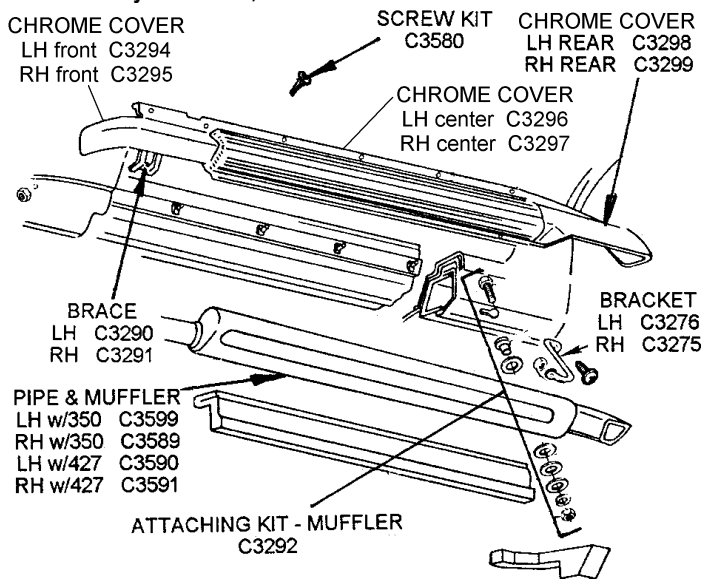
C3538	68	MUFFLER SET - 427, auto, 2.5'	144.00
C3203	68-72	MUFFLER SET - 327/350 hi-perf, auto, 2' to 2.5'	279.95
C3527	68-72	MUFFLER SET - 327/350 hi-perf, auto, 2' to 2.5'	139.00
C3578	68-72	MUFFLER SET - 350/427, 4-speed/auto, 2'	249.80
C3685	69	MUFFLER SET - 427, auto, w/secondary pipes	249.80
C3684	69	MUFFLER SET - 427, 4-speed, w/secondary pipes	249.80
C3528	69-72	MUFFLER SET - 327/350 hi-perf, 4-speed, 2' to 2.5'	139.00
C3214	69-72	MUFFLER SET - 350, 4-speed, 2', w/secondary pipes	249.80
C3635	73	MUFFLER SET - 454, auto, 2.5'	269.00
C3181	73	MUFFLER SET - 350/454, 4-speed/auto, 2.5'	95.20
C3257	73	MUFFLER SET - 350, 4-speed, 2'	95.20
C3562	74	MUFFLER SET - 350/L82, 454, 4-speed/auto	144.00
C3559	74	MUFFLER SET - 350, 4-speed/auto, 2'	144.00
C3552	74	MUFFLER SET - 350, 4-speed/auto, 2'	144.00
C3576	74	MUFFLER SET - L82, 454, 4-speed/auto	144.00
C3533	75-77	MUFFLER SET	144.00
C3260	78-79	MUFFLER SET	144.00
C3264	80-82	MUFFLER SET	169.00

VISIT US ON THE WEB AT
www.ChicagoCorvette.net

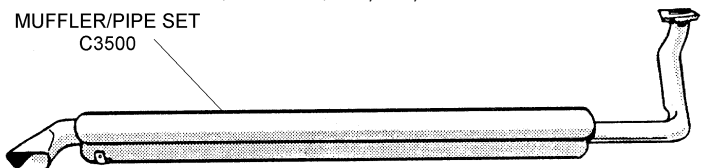
Pipes - 1975-82 Individual & Stainless Steel

C8156	75-79	PIPE - front Y, auto, stainless steel	221.95
C8157	75-79	PIPE - front Y, manual, stainless steel	209.95
C3616	80	PIPE - front Y, auto, stainless steel	209.95
C3617	80	PIPE - front Y, manual, stainless steel	209.95
C3570	81	PIPE - front Y, auto, stainless steel	209.95
C3569	81	PIPE - front Y, manual, stainless steel	209.95
C3598	82	PIPE - front Y, stainless steel	145.00
C3240	75-78	PIPE - rear Y, L48, 2 1/4' stainless steel	215.55
C3242	75-78	PIPE - rear Y, L82, 2 1/2' stainless steel	215.55
C3241	76-78	PIPE - rear Y, (76-77 all) (78 L-48 only), stainless steel	149.00
C3243	78-81	PIPE - rear Y, (78 L-82 only) (79-81 all), stainless steel	123.15
C3244	79-81	PIPE - rear Y, 2 1/2', stainless steel	275.00
C3245	82	PIPE - rear Y, (all), stainless steel	145.00
C3246	82	PIPE - rear Y, 2 1/2', stainless steel	215.55

Side Exhaust System - 1969, Fits all 1968-82



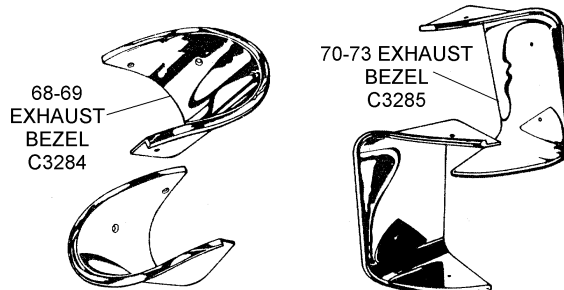
C3292	69	ATTACHING KIT - rear muffler to frame, incl. all nuts/bolts/grommets (14 pc.)	39.25
C3290	69	BRACE - side exhaust shield, front LH	41.50
C3291	69	BRACE - side exhaust shield, front RH	41.50
C3276	69	BRACKET - side exhaust mount, rear LH	16.85
C3275	69	BRACKET - side exhaust mount, rear RH	16.85
C3219	69	BRACKET & HARDWARE KIT - side exhaust (C3475, C3275, C3675)	35.90
C3294	69	COVER - left front	259.95
C3295	69	COVER - right front	259.95
C3296	69	COVER - left center	319.95
C3297	69	COVER - right center	319.95
C3298	69	COVER - left rear	215.95
C3299	69	COVER - right rear	215.95
C3274	69	COVER ASSEMBLIES - w/side mount exhaust, chrome plated, as original/NO WARRANTY ON FINISH LIFE, (6pc)	1,789.95
C3248	69	COVER ASSEMBLY - side exhaust, LH	1,288.80
C3247	69	COVER ASSEMBLY - side exhaust, RH	1,288.80
C3620	69	COVER SET - side exhaust, fiberglass reproduction, paint as you like, (pr)	434.50
C3278	69	INSULATOR - rear side exhaust pipe	5.80
C3595	69	INSULATOR - gray foam at rear kick-up/floor pan	6.75
C3575	69	INSULATOR - w/aluminum skin between frame & body reinforcement channel / temperature limit 177 degrees C, thermal conductivity .24	28.05
C3200	69	INSULATOR KIT - supports side covers / fiberglass, (pr)	1,410.00
C3599	69	MUFFLER/PIPE - w/350, LH	293.15
C3589	69	MUFFLER/PIPE - w/350, RH	293.15
C3590	69	MUFFLER/PIPE - w/427, LH, stainless steel	431.05
C3591	69	MUFFLER/PIPE - w/427, RH, stainless steel	431.05



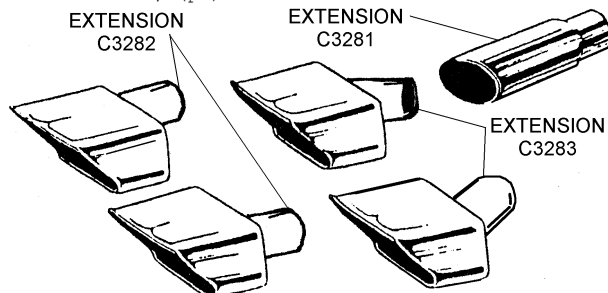
C3500	69	MUFFLER/PIPE SET - LH & RH, w/mounting hardware, all 327/350, stainless steel, (pr)	905.20
C3594	69	MUFFLER/PIPE SET - LH & RH, w/mounting hardware, all 427/454, stainless steel, (pr)	905.20

C3055	69	MUFFLER/PIPE SET - 427, aluminized, (pr)	603.45
C3057	70-74	MUFFLER/PIPE SET - 454, LH & RH, stainless steel, (pr)	798.00
C8795	69	PLATE - transmission mount spacer, all w/side exhaust	10.65
C3580	69	SCREW KIT - side exhaust attaching #10 Phillips w/#8 flat head, black phosphate, (12 pc.)	13.45
C3051	69	SIDE PIPE KIT - 327/350	2,595.00
C3052	69	SIDE PIPE KIT - 427	2,595.00
C3053	70-74	SIDE PIPE KIT - 454	2,595.00

Tail Pipe Bezels & Extensions



C3284	68-69	BEZEL SET - on exhaust panel, die cast as original, (pr)	78.40
C3188	68-69	BEZEL SET - on exhaust panel, stainless steel, (pr)	109.95
C3869	70-73	BEZEL SET - on exhaust panel, die cast as original, (ea)	84.45
NOTE: All original 1968-73 exhaust bezels were die cast.			
C3285	70-73	BEZEL SET - on exhaust panel, stainless steel, (pr)	109.50
C3279	73	BEZEL SET - exhaust pipes, stainless steel, w/correct welded seam, as original	186.25
C3366	69-81	BOLT - exhaust tip to muffler, 2', 'U' type, exact reproduction of the flat 'U' bolt w/notched inside surface & raised 'K' logo, clamp has 'ears' on the side & stamped w/2171 number, . . incl. nut, (correct per NCRS)	16.85
C3281	68-69	EXTENSION SET - exhaust pipe, stainless steel, (pr)	49.95
C3282	70-72	EXTENSION SET - exhaust pipe, stainless steel, (pr)	55.25
C3283	73	EXTENSION SET - exhaust pipe, stainless steel, (pr)	58.25



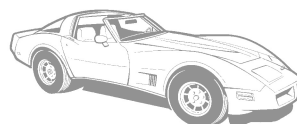
G0060	74-82	EXTENSION SET - exhaust pipe, chrome plated, (non stock)	45.75
C3192	70-73	SCREW & 'J' NUT KIT - exhaust bezels, (16 pc.)	5.45

ORDER BY PHONE:
1-800-872-2446



ORDER BY FAX:
708-458-2662

TECHNICAL QUESTIONS:
708-458-2500



CUSTOMER SERVICE:
708-458-6577

QUESTIONS ABOUT YOUR ORDER:
708-458-2500

EXTERIOR TRIM & MOLDINGS

Air Dam, Deflector & Spoilers

68-72 AIR DAM C3316

73-79 AIR DAM C3318

RETAINER C3394

77-79 L-82 AIR DAM EXTENSION (not available)

73-79 3 pc. FRONT SPOILER C3320

80-82 AIR DEFLECTOR urethane C3351, fiberglass C3353

80-82 RETAINER C3349

80-82 AIR DAM EXTENSION LH C3322 RH C3323

C4712 68 AIR DAM BRACKET/UPPER CORE SUPPORT - big blockCALL

C4713 68 AIR DAM BRACKET/UPPER CORE SUPPORT - small blockCALL

C3316 68-72 AIR DAM/SPOILER - front, stock34.50

C3318 73-79 AIR DAM/SPOILER - front, stock46.45

C3322 80-82 AIR DAM/SPOILER EXTENSION - front, LH, rubber75.00

C3323 80-82 AIR DAM/SPOILER EXTENSION - front, RH, rubber54.00

C4742 80-82 AIR DAM/SPOILER EXTENSION SET - front, LH & RH, rubber92.50

C3351 80-82 DEFLECTOR - air, urethane, front lower radiator202.75

C3353 80-82 DEFLECTOR - air, fiberglass, front lower radiator101.75

C3317 68-72 MOUNT KIT - front spoiler6.35

C3319 73-79 MOUNT KIT - front spoiler12.00

C3301 73-79 REINFORCEMENT - lower fender/valance, LH14.95

C3309 73-79 REINFORCEMENT - lower fender/valance, RH19.15

C3394 79 RETAINER - air dam extension, L82 (77-78 replacement)51.25

C3349 80-82 RETAINER - air dam extension, front, (2 req.) (ea)35.80

C3320 73-79 SPOILER KIT - front, urethane, (3 pc.)291.40

Deck Lid/Rear & Luggage Rack

C3326 68-75 END TIP - luggage rack tubes, black, (8 req.) (ea)2.45

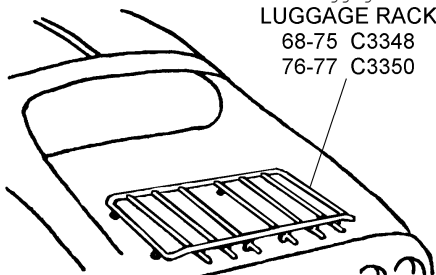
C3361 68-76 GRILLE-vent on rear deck lid72.45

C5184 68 GRILLE-vent on rear deck lid behind window, pre-owned, (2 req.) (ea)44.95

C5185 69-76 GRILLE-vent on rear deck lid behind window, pre-owned, (2 req.) (ea)37.95

C3352 68-75 INSTALLATION KIT - 6-hole luggage rack44.85

C3354 76-77 INSTALLATION KIT - 8-hole luggage rack50.95



C3348 68-75 LUGGAGE RACK - 6 hole w/mounting hardware, stainless steel201.75

C3383 76-77 LUGGAGE RACK - 8 bolt chrome199.95

C3350 76-77 LUGGAGE RACK - 8 hole w/mounting hardware, stainless steel201.75

C3384 76-77 LUGGAGE RACK - 8 bolt black powder coated184.95

C5186 68-76 NUT SET - rear deck lid vent grill screws, 'U' shape, (8 pc.)7.25

C3325 68-75 RETAINER/GROMMET - luggage rack insert in deck lid, rubber, (8 req.) (ea)1.25

C5130 68 SEAL KIT - rear deck vent door, astro ventilation15.50

C5131 69-76 SEAL KIT - rear deck vent door, w/o AC, Astro Ventilation21.95

C5132 69-76 SEAL KIT - rear deck vent door w/AC14.95

C3385 68-76 TIP - luggage rack, black ends1.00

Fender Trim

CLIP SET C3342

C3342 68-72 CLIP SET - fender top molding, (4 pc.)8.00

RETAINER NUT C3332

SCREW SET C3427

LOUVER LH C3330 RH C3331

C3330 68-69 LOUVER - side vent, chrome, LH, (3 req.) (ea)29.95

C3331 68-69 LOUVER - side vent, chrome, RH, (3 req.) (ea)29.95

C3387 68-69 LOUVER SET - side vent, chrome, w/screws, (does both sides)214.95

C3336 80-82 LOUVER - side vent, black, LH22.95

C3337 80-82 LOUVER - side vent, black, RH22.95

C3343 80-82 LOUVER SET - side, chrome finish59.95

C3390 68-72 MOLDING - upper top fender by windshield, LH, w/screw44.85

C3391 68-72 MOLDING - upper top fender by windshield, RH, w/screw31.05

C3332 68-69 NUT - side louver mounts in body, (16 req.) (ea)1.10

C3300 70-72 RETAINER - side fender grille, lower, (1 req.) (per side)8.20

C3427 68-69 SCREW SET - side louvers, front fenders, (16 pc.)6.60

C3321 70-72 SCREW SET - side louvers, front fender lower, (4 pc.)2.65

License Area: Front & Rear

BEZEL C3324

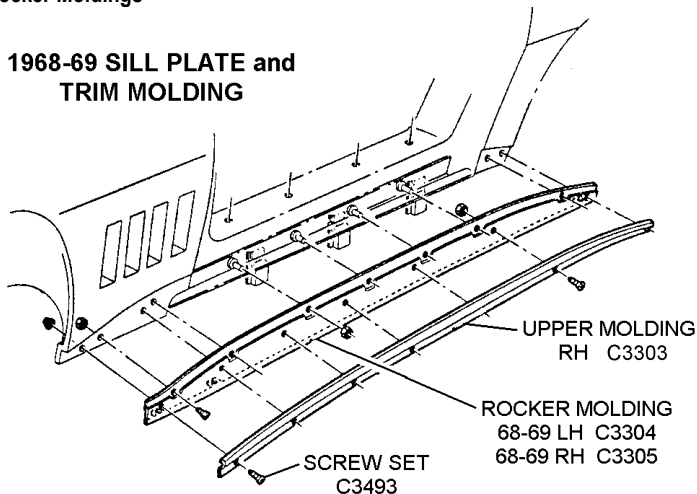
SCREW SET B3432

C3324 68-73 BEZEL - rear license94.85

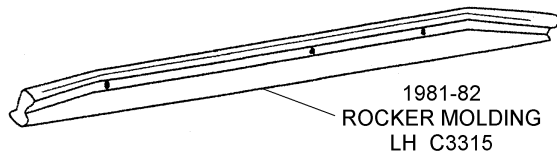
C1226	68-72	BRACKET - front license plate	64.25
C1295	68-73	BRACKET - rear frame to license plate bracket	14.30
C1228	73-74	BRACKET - license bracket, front	15.55
C1304	75-79	BRACKET - front license plate, (reconditioned/original)	43.15
B3319	68-82	FRAME - license plate, original, stainless steel	20.65
B3432	68-73	SCREW & NUT KIT - rear license bezel mounting, (4 pc.)	5.10

Rocker Moldings

1968-69 SILL PLATE and TRIM MOLDING



C3304	68-69	MOLDING - rocker, lower, fiberglass, LH	179.95
C3305	68-69	MOLDING - rocker, lower, fiberglass, RH	179.95
C3303	68-69	MOLDING - rocker, upper, RH	110.35
C3302	68-69	MOLDING SET - rocker, upper, aluminum	199.95
C3306	70-77	MOLDING - rocker, LH	134.95
C3307	70-77	MOLDING - rocker, RH	134.95
C3310	78-79	MOLDING - rocker, LH	134.95
C3311	78-79	MOLDING - rocker, RH	134.95
C3312	80	MOLDING - rocker, LH	134.95
C3313	80	MOLDING - rocker, RH	134.95
C3314	81-82	MOLDING - rocker, LH	134.95

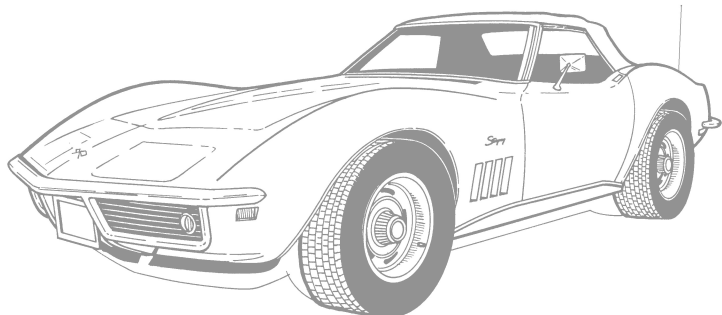


C3315	81-82	MOLDING - rocker, RH	134.95
C3308	70-82	REPAIR KIT - rocker molding mount (will repair stripped mounting holes, includes mounting screws)	38.15
C3493	68-69	SCREW/NUT KIT - rocker panel molding, (44 pc.)	16.75
C3422	70-82	SCREW KIT - rocker molding w/washer & nut, (24 pc.)	7.40

FIBERGLASS

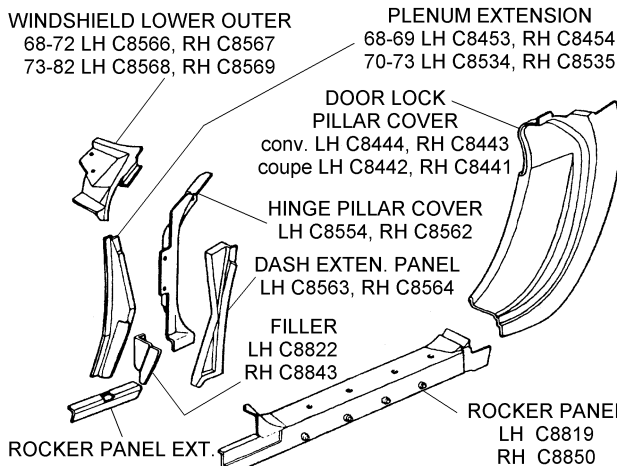
Fiberglass Bonding Adhesive

G0320	68-72	BONDING PUTTY - pigmented polyester based, produced by 'Corvette Image' expressly for 1968-72 Corvettes, specify color, gallon	96.55
-------	-------	--	-------



Front Body: 1968-82 Components & Related

1968-82 CENTER BODY PANELS

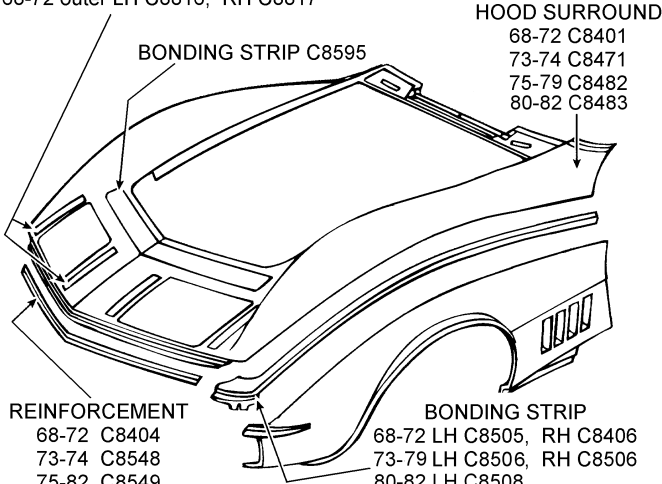


C8528	68-72	BONDING STRIP - cowl top, LH	64.00
C8547	68-72	BONDING STRIP - cowl top, RH	64.00
C8812	73-82	BONDING STRIP - cowl top, LH	64.00
C8813	73-82	BONDING STRIP - cowl top, RH	64.00
C8411	68-72	BONDING STRIP - front lower panel, LH, PM, black	36.25
C8410	68-72	BONDING STRIP - front lower panel, RH, PM, black	36.25
C8406	68-72	BONDING STRIP - front fender, LH, PM, black	96.55
C8405	68-72	BONDING STRIP - front fender, RH, PM, black	96.55
C8509	73-79	BONDING STRIP - front fender, RH	125.00
C8506	73-79	BONDING STRIP - front fender, LH	125.00
C8508	80-82	BONDING STRIP - front fender, LH	125.00
C8507	80-82	BONDING STRIP - front fender, RH	125.00
C8550	73-79	BONDING STRIP - front lower panel, LH	16.95
C8551	73-79	BONDING STRIP - front lower panel, RH	16.95
C8595	68-72	BONDING STRIP - header bar, PM	1,395.00
C8814	68-72	BONDING STRIP - inner nose panel, LH	43.25
C8815	68-72	BONDING STRIP - inner nose panel, RH	43.25
C8816	68-72	BONDING STRIP - outer nose panel, LH	43.25
C8817	68-72	BONDING STRIP - outer nose panel, RH	43.25
C8566	68-72	BONDING STRIP - windshield, lower outer, LH	72.00
C8567	68-72	BONDING STRIP - windshield, lower outer, RH	72.00
C8568	73-82	BONDING STRIP - windshield, lower outer, LH	72.00
C8569	73-82	BONDING STRIP - windshield, lower outer, RH	72.00
C0954	68-82	BRACKET / REINFORCEMENT - header bar to inner fender skirt, LH	30.00
C0953	68-82	BRACKET / REINFORCEMENT - header bar to inner fender skirt, RH	16.50
C8554	68-82	COVER - hinge pillar, LH	125.00
C8562	68-82	COVER - hinge pillar, RH	125.00
C8586	68-72	COWL - upper	268.75
C8587	73-76	COWL - upper	268.75
C8588	77-82	COWL - upper	268.75
C8453	68-69	EXTENSION - cowl plenum, LH	78.00
C8454	68-69	EXTENSION - cowl plenum, RH	78.00
C8534	70-73	EXTENSION - cowl plenum, LH	65.00
C8535	70-73	EXTENSION - cowl plenum, RH	65.00
C8421	70-72	EXTENSION - inner skirt, LH, PM, black	33.00
C8420	70-72	EXTENSION - inner skirt, RH, PM, black	33.00
C8820	68-69	EXTENSION - front rocker panel, LH	48.75
C8841	68-69	EXTENSION - front rocker panel, RH	48.75
C8854	70-72	EXTENSION - front rocker panel, LH	48.75
C8855	70-72	EXTENSION - front rocker panel, RH	48.75
C8821	73-82	EXTENSION - front rocker panel, LH	48.75
C8842	73-82	EXTENSION - front rocker panel, RH	48.75
C8414	68-69	FENDER - front, LH, PM, black	459.00
C8413	68-69	FENDER - front, RH, PM, black	459.00
C8417	68-69	FENDER - front, LH	319.00
C8416	68-69	FENDER - front, RH	319.00
C8415	70-72	FENDER - front, LH, PM, black	459.00
C8412	70-72	FENDER - front, RH, PM, black	459.00
C8419	70-72	FENDER - front, LH	319.00
C8418	70-72	FENDER - front, RH	319.00
C8476	73-79	FENDER - front, LH	319.00
C8475	73-79	FENDER - front, RH	319.00
C8526	73-79	FENDER - front, LH, PM	475.00
C8527	73-79	FENDER - front, RH, PM	475.00
C8489	80-82	FENDER - front, LH	319.00
C8488	80-82	FENDER - front, RH	319.00
C8822	68-82	FILLER - door sill, LH, PM	50.00
C8843	68-82	FILLER - door sill, RH, PM	50.00
C7536	75-77	FLOOR PAN - metal, w/sill extension, LH	289.95
C7537	75-77	FLOOR PAN - metal, w/sill extension, RH	289.95
C7539	78-82	FLOOR PAN - metal, LH, (exc. 81-82 w/power seat)	289.95
C7540	78-82	FLOOR PAN - metal, RH	289.95
C7541	81-82	FLOOR PAN - metal, LH w/power seat	289.95

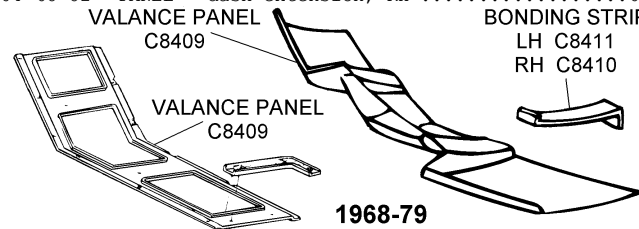
- C0905 68-82 HEADER BAR - front header surround98.30
- C8401 68-72 HOOD SURROUND - w/steel reinforcement, PM, black1,575.00

BONDING STRIPS

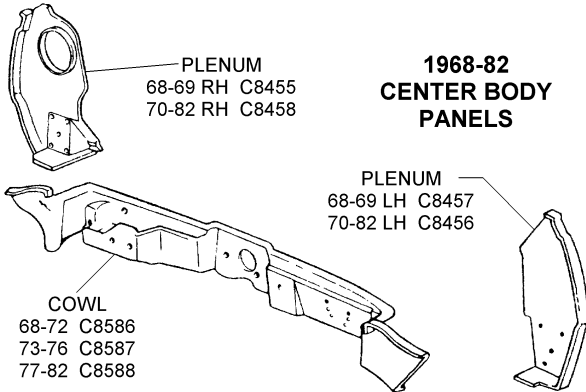
- 68-72 inner LH C8814, RH C8815
- 68-72 outer LH C8816, RH C8817



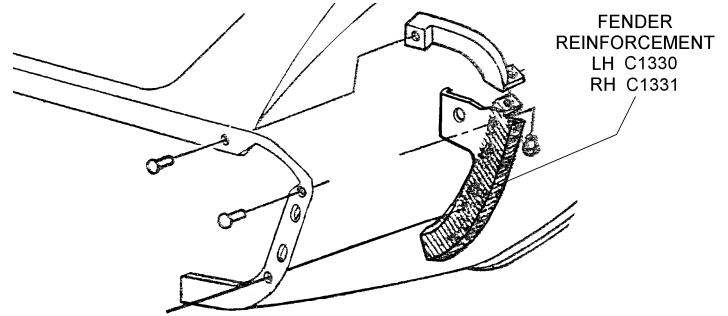
- C8402 68-72 HOOD SURROUND - w/steel reinforcement, HL . .595.00
- C8471 73-74 HOOD SURROUND - w/steel reinforcement, HL . .595.00
- C8482 75-79 HOOD SURROUND - w/steel reinforcement, HL . .999.00
- C8486 75-82 HOOD SURROUND - w/steel reinforcement, PM 1,575.00
- C8483 80-82 HOOD SURROUND - w/steel reinforcement, HL . .999.00
- C1219 73-79 PANEL - front lower valance, PM, black, fiberglass72.45
- C8819 68-82 PANEL - rocker, LH114.70
- C8850 68-82 PANEL - rocker, RH114.00
- C8563 68-82 PANEL - dash extension, LH69.00
- C8564 68-82 PANEL - dash extension, RH69.00



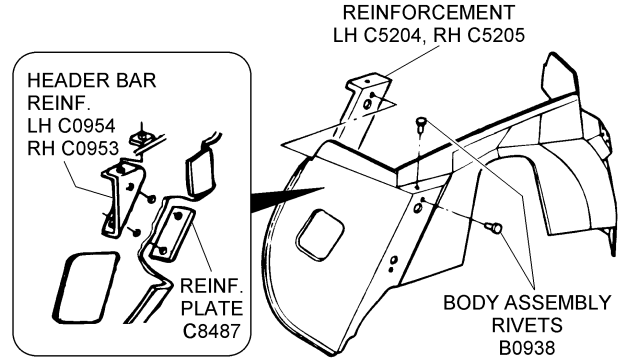
- C8409 68-72 PANEL/VALANCE - front lower, PM, black180.00
- C8487 68-82 PLATE - inner fender strut reinforcement, stainless steel6.75



- C8457 68-73 PLENUM - cowl/firewall, LH, PM95.00
- C8455 68-73 PLENUM - cowl/firewall, RH, PM95.00
- C8456 74-82 PLENUM - cowl/firewall, LH, PM95.00
- C8458 74-82 PLENUM - cowl/firewall, RH, PM95.00
- C0952 68-72 REINFORCEMENT - front header surround (metal)116.40
- C8404 68-72 REINFORCEMENT - surround, front, PM104.00
- C5204 68-82 REINFORCEMENT - hood hinge/radiator support reinforcement, LH72.45
- C5205 68-82 REINFORCEMENT - hood hinge/radiator support reinforcement, RH72.45



- C8536 70-72 REINFORCEMENT - fender, louver upper, PM, black24.15
- C1248 73-74 REINFORCEMENT - hood surround, attaches front bumper cover to hood surround, (rivets to surround)112.50
- C8548 73-74 REINFORCEMENT - surround, front104.00
- C8549 75-82 REINFORCEMENT - surround, front97.85



- C8537 68-72 RETAINER - between radiator and lower valve, PM, black42.25
- C4628 68-72 ROD - nose support, core support to header bar22.95
- C4605 73-79 ROD - nose support, core support to header bar12.00
- C8531 68 SKIRT/INNER FENDER - LH, PM, black379.00
- C8408 68-72 SKIRT/INNER FENDER - LH235.95
- C8407 68-72 SKIRT/INNER FENDER - RH235.95
- C8533 69-72 SKIRT/INNER FENDER - LH, PM, black379.00
- C8530 68-72 SKIRT/INNER FENDER - RH, PM, black379.00
- C8823 73 SKIRT/INNER FENDER - PM, LH379.00
- C8824 73 SKIRT/INNER FENDER - PM, RH379.00
- C8825 74-79 SKIRT/INNER FENDER - PM, LH379.00
- C8826 74-79 SKIRT/INNER FENDER - PM, RH379.00
- C8478 73-79 SKIRT/INNER FENDER - LH235.95
- C8477 73-79 SKIRT/INNER FENDER - RH235.95
- C8827 80-82 SKIRT/INNER FENDER - PM, LH379.00
- C8828 80-82 SKIRT/INNER FENDER - PM, RH379.00
- C8491 80-82 SKIRT/INNER FENDER - LH235.95
- C8490 80-82 SKIRT/INNER FENDER - RH235.95

Front Body: One Piece

PM = PRESS MOLDED - Press molded parts are formed under pressure in matched molds as original. This assures that each part has a smooth surface on both sides and is as strong as the original it is replacing. Some components require special crating which is billed separately.

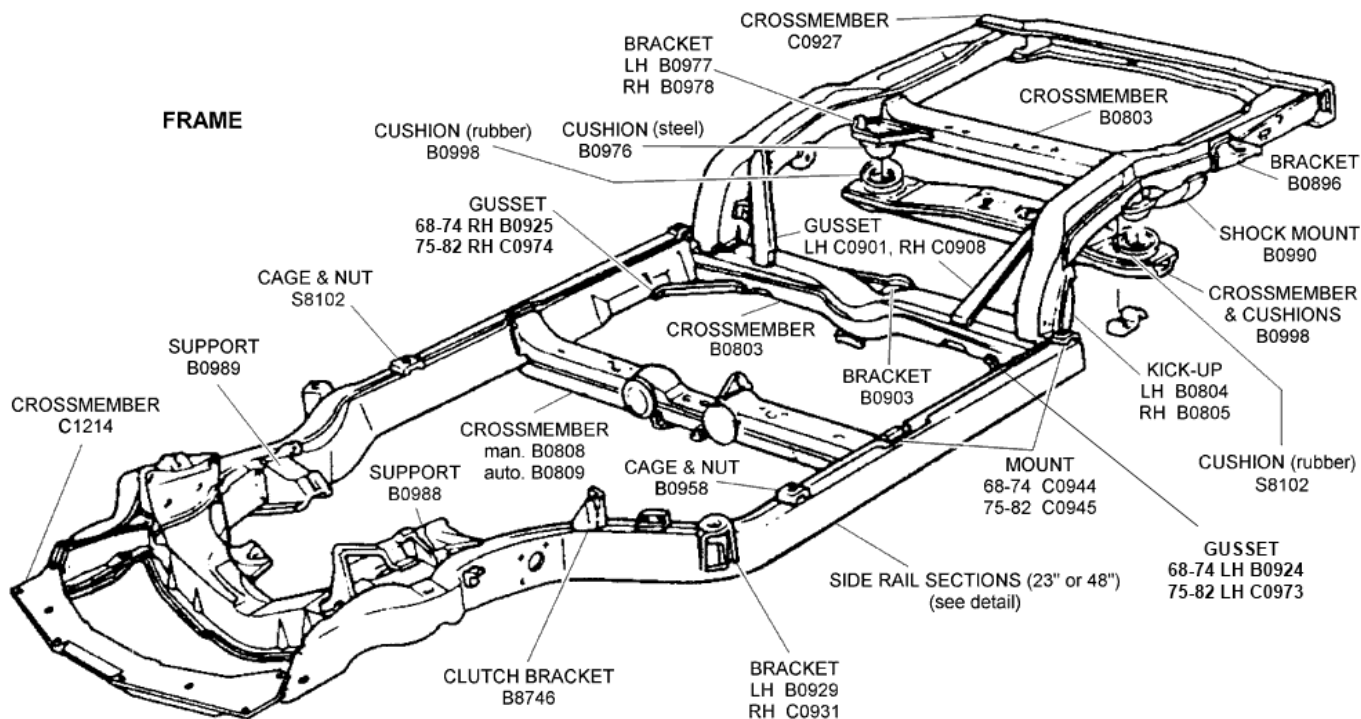
- C8470 68-69 FRONT END - door to door1,395.00
- C8400 70-72 FRONT END - door to door1,395.00
- C8469 73-74 FRONT END - door to door1,395.00
- C8468 75-79 FRONT END - door to door1,395.00
- C8467 80-82 FRONT END - door to door1,395.00

Front Bumper - Fiberglass & Custom Fiberglass Parts

- C3564 73-74 COVER - front bumper, stock design, fiberglass332.50
- C3566 75-79 COVER - front bumper, stock design, fiberglass324.15
- C3568 80-82 COVER - front bumper, stock design, fiberglass361.25
- C3611 73-74 COVER - front bumper, stock design, genuine 'TruFlex' special flexible glass composition 329.00
- C3613 75-79 COVER - front bumper, stock design, genuine 'TruFlex' special flexible glass composition 329.00
- C3615 80-82 COVER - front bumper, stock design, genuine 'TruFlex' special flexible glass composition 369.00
- C8523 68-82 COVER - side pipe, glass, (pr)250.00
- C8511 68-82 FLARE - front IMSA race, LH96.60
- C8510 68-82 FLARE - front IMSA race, RH96.60
- C8515 68-82 FLARE - front ZL-1, LH, accept 8 1/2' wheel 125.00
- C8514 68-82 FLARE - front ZL-1, RH, accept 8 1/2' wheel 125.00

Quality - Service - Price

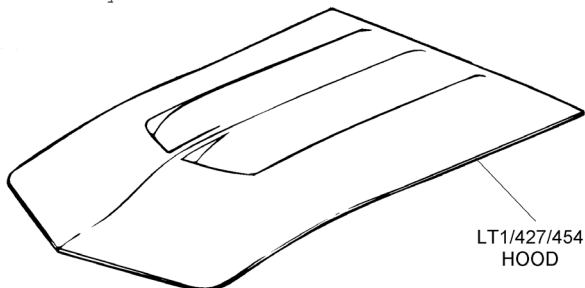
We have it all. Give us a call.



C8522	68-72	SCOOP - L-88	100.00
C8518	68-72	SPOILER - front	110.00
C8519	73-79	SPOILER - front	110.00

Hood: 1968-82 Components & Related

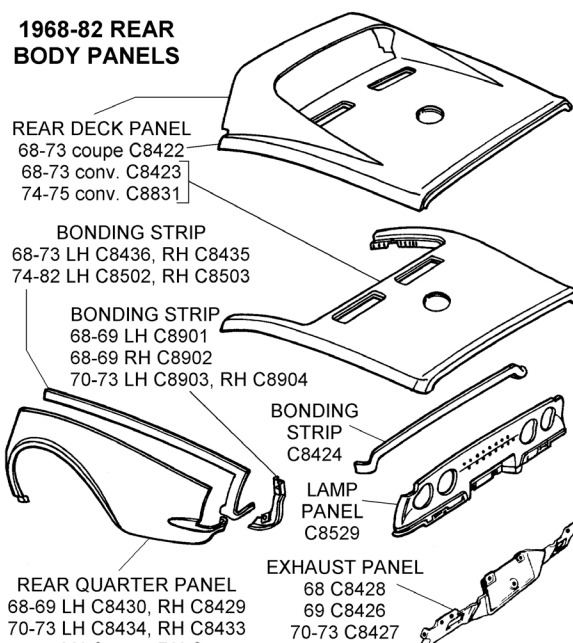
C8521	68-72	HOOD ASSEMBLY - L-88 long	543.15
C8592	73-76	HOOD ASSEMBLY - L88 design, w/o fresh air chamber	525.00
C8590	73-76	HOOD ASSEMBLY - L88 design, w/fresh air plenum, extra clearance style	625.00
C8591	77-82	HOOD ASSEMBLY - L88 design, extra clearance style	895.00



C8494	73-79	HOOD ASSEMBLY	525.00
C8574	68-69	HOOD ASSEMBLY - L88 design w/fresh air chamber, fits 68-72	603.45
C8466	68-72	HOOD ASSEMBLY - 427/454/LT1	599.00
C8497	80-82	HOOD ASSEMBLY	525.00
C8463	68-69	HOOD ASSEMBLY - 327/350	525.00
C8464	70-72	HOOD ASSEMBLY - 327/350	525.00
C8460	68-72	SKIN - hood, standard small block	301.95
C8465	68-72	SKIN - hood, 427/454	271.60
C8492	73-79	SKIN - hood	301.75
C8520	73-82	SKIN - hood w/L-88 scoop, fits 73-82 stock inner structure	291.75
C8495	80-82	SKIN - hood	210.00

Rear Body: 1968-82 Components & Related

1968-82 REAR BODY PANELS

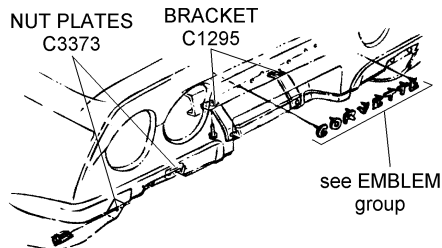


B3441	68-73	BOLT & NUT KIT - rear exhaust panel to body, (14 pc.)	13.50
C8436	68-73	BONDING STRIP - rear fender to upper deck, LH, PM, black	120.00
C8435	68-73	BONDING STRIP - rear fender to upper deck, RH, PM, black	120.00
C8503	74-82	BONDING STRIP - rear fender to upper deck, LH, PM	95.00
C8502	74-82	BONDING STRIP - rear fender to upper deck, RH, PM	95.00
C8446	70-73	BONDING STRIP - exhaust flange, LH, PM, black	48.50
C8445	70-73	BONDING STRIP - exhaust flange, RH, PM, black	48.50
C8901	68-69	BONDING STRIP - rear filler panel, LH	58.00
C8902	68-69	BONDING STRIP - rear filler panel, RH	58.00
C8903	70-73	BONDING STRIP - rear filler panel, LH	58.00
C8904	70-73	BONDING STRIP - rear filler panel, RH	58.00
C8424	68-73	BONDING STRIP - taillight panel upper to rear back, PM, black	91.75
C8539	68-69	BONDING STRIP/REINFORCEMENT - LH, lower rear fender by tail light panel, w/standard exhaust, PM	60.00
C8540	68-69	BONDING STRIP/REINFORCEMENT - RH, lower rear fender by tail light panel, w/standard exhaust, PM	60.00
C8543	68-69	BONDING STRIP/REINFORCEMENT - LH, lower	

CHICAGO CORVETTE

We're your 1-Stop-Shop for 1953-82 Corvette parts and accessories!

		rear fender by tail light panel, w/side exhaust, PM	60.00
C8544	68-69	BONDING STRIP/REINFORCEMENT - RH, lower rear fender by tail light panel, w/side exhaust, PM	60.00
C8541	70-73	BONDING STRIP/REINFORCEMENT - LH, lower rear fender by tail light panel, w/standard exhaust, PM	60.00
C8542	70-73	BONDING STRIP/REINFORCEMENT - RH, lower rear fender by tail light panel, w/standard exhaust, PM	60.00
C8545	70-73	BONDING STRIP/REINFORCEMENT - LH, lower rear fender by tail light panel, w/side exhaust, PM	60.00
C8546	70-73	BONDING STRIP/REINFORCEMENT - RH, lower rear fender by tail light panel, w/side exhaust, PM	60.00
C8596	78-82	BONDING STRIP/REINFORCEMENT - rear upper deck lid panel	205.00
C8830	78-82	BONDING STRIP/REINFORCEMENT - rear upper deck panel	218.50
B0912	68-78	COVER SET - rear body mount access rear wheel, w/screws, (pr)	16.95
C8430	68-69	FENDER - rear, LH, PM, black, w/o side exhaust	415.00
C8429	68-69	FENDER - rear, RH, PM, black, w/o side exhaust	415.00
C8302	68-69	FENDER - rear, LH, w/side exhaust, PM, black	415.00
C8303	68-69	FENDER - rear, RH, w/side exhaust, PM, black	415.00
C8432	68-69	FENDER - rear, LH	319.00
C8431	68-69	FENDER - rear, RH	319.00
C8304	70-72	FENDER - rear, LH, w/side exhaust, PM	415.00
C8305	70-72	FENDER - rear, RH, w/side exhaust, PM	415.00
C8557	70-73	FENDER - rear, LH, PM, black	415.00
C8558	70-73	FENDER - rear, RH, PM, black	415.00
C8306	73	FENDER - rear, LH, w/side exhaust, PM,	415.00
C8307	73	FENDER - rear, RH, w/side exhaust, PM	415.00
C8434	70-73	FENDER - rear, LH	319.00
C8433	70-73	FENDER - rear, RH	319.00
C8501	74-82	FENDER - rear, LH	319.00
C8500	74-82	FENDER - rear, RH	319.00
C8448	68-69	FLANGE - exhaust, LH, PM, black	32.00
C8447	68-69	FLANGE - exhaust, RH, PM, black	32.00



C3373	68-73	NUT PLATE - rear valance, w/rivet set, (4 plates & 8 rivets)	13.95
C8442	68-82	PANEL - door jam lock pillar, LH, coupe, PM	169.95
C8441	68-82	PANEL - door jam lock pillar, RH, coupe, PM	169.95
C8444	68-75	PANEL - door jam lock pillar, LH, roadster, PM	169.95
C8443	68-75	PANEL - door jam lock pillar, RH, roadster, PM	169.95
C8559	78-82	PANEL - rear deck lid, upper, w/reinforcement installed, PM	775.00
C8560	78-82	PANEL - rear deck lid, upper, w/o reinforcement installed, PM	451.00
C8422	68-73	PANEL - rear upper deck, coupe	599.00
C8829	78-82	PANEL - rear upper deck, coupe	845.00
C8423	68-73	PANEL - rear upper, roadster, PM	945.00
C8831	74-75	PANEL - rear upper, roadster, PM	945.00
C8529	68-73	PANEL - taillight, PM, black	339.00
C8425	68-73	PANEL - taillight	175.00
C8428	68	PANEL - exhaust, PM-black, w/back lamp retainers installed	379.00
C8426	69	PANEL - exhaust, PM-black	229.35
C8427	70-73	PANEL - exhaust, PM-black	229.35
C8459	69	PANEL - exhaust/for side exhaust car, will fit 1968 & 70-73, PM, black	229.35

NOTE: With Panel C8459, on cars originally w/o side exhaust quarter panels, they require modification and reinforcements. See C8543, C8544, C8545 & C8546.

C8589	69	PANEL - exhaust, HL	153.50
C8538	70-73	PANEL - exhaust, HL	153.50
C8570	68-69	REAR END - coupe, (1 pc.)	1,085.00
C8571	70-73	REAR END - coupe, (1 pc.)	1,085.00
C8572	68-69	REAR END - convertible, (1 pc.)	1,025.00
C8573	70-73	REAR END - convertible, (1 pc.)	1,025.00
C8403	68	RETAINER - rear exhaust panel, PM, black	27.50
B0949	68-82	SCREW SET - rear body mount access covers by rear wheel, (4 pc.)	3.50
C8832	68-82	SHIELD - front splash, quarter panel, LH	92.00

C8833	68-82	SHIELD - front splash, quarter panel, RH	51.00
C8532	68-69	SHIELD - rear fender splash, LH, PM, black	115.00
C8561	68-69	SHIELD - rear fender splash, RH, PM, black	115.00
C8452	68-73	SHIELD - rear fender splash shield, LH, HL	51.00
C8451	68-73	SHIELD - rear fender splash shield, RH, HL	51.00
C8450	70-73	SHIELD - rear fender splash, LH, PM, black	115.00
C8449	70-73	SHIELD - rear fender splash, RH, PM, black	115.00
C8505	74-82	SHIELD - rear fender splash shield, LH, PM	125.00
C8504	74-82	SHIELD - rear fender splash shield, RH, PM	125.00
C8440	68	SKIN - door, LH	339.00
C8439	68	SKIN - door, RH	339.00
C8499	69-82	SKIN - door, LH	339.00
C8498	69-82	SKIN - door, RH	339.00
C8525	80-82	TIP - front fender, LH, for 80-82 front bumpers	49.00
C8524	80-82	TIP - front fender, RH, for 80-82 front bumpers	49.00

Rear Bumpers - Fiberglass and Custom Parts

C3627	76E	COVER - rear bumper, stock design w/indent for Corvette name plate, fiberglass	344.50
C3571	74	COVER - rear bumper, stock design, fiberglass, (2 section design)	364.75
C3573	75	COVER - rear bumper, stock design, fiberglass	335.95
C3572	76L-79	COVER - rear bumper, stock design, fiberglass	356.05
C3574	80-82	COVER - rear bumper, stock design, fiberglass, also fits 74-79	375.00
C3565	74	COVER - rear bumper, stock design, genuine 'TruFlex' special flexible glass composition	379.95
C3489	75	COVER - rear bumper, stock design, genuine 'TruFlex' special flexible glass composition	349.00
C3628	76E	COVER - rear bumper, stock design w/indent for Corvette name plate, 'TruFlex' composition	359.00
C3609	80-82	COVER - rear bumper, stock design, genuine 'TruFlex' special flexible glass composition also fits 74-79	379.95
C8555	74-77	CUSTOM REAR SPOILERS - fiberglass, Pace Car design	331.90
C8556	78-79	CUSTOM REAR SPOILERS - fiberglass, Pace Car design	331.90
C8517	68-82	FLARE - rear ZL-1, LH, accept 10' wheel	192.50
C8516	68-82	FLARE - rear ZL-1, RH, accept 10' wheel	19.20

FRAME

B0929	68-82	BRACKET - body mount #1 on frame, LH	42.25
C0931	68-82	BRACKET - body mount #1 on frame, RH	42.25
B0911	68-82	BRACKET - body mount #4 on frame, RH	43.45
B0995	68-82	BRACKET - body mount on frame near rear axle	29.00
C0944	68-74	BRACKET - body mount, #2 & #3, w/cage & nut	30.20
C0945	75-82	BRACKET - body mount, #2 & #3, w/cage & nut	41.05
B0990	68-82	BRACKET - shock mount, upper, welds to frame	16.75
B0977	68-82	BRACKET/GUSSET - sombrero LH (welds to frame)	26.95
B0978	68-82	BRACKET/GUSSET - sombrero RH (welds to frame)	26.95
S8102	68-79	CUSHION / BUSHING - cross member above rear end	64.95
B0958	68-82	CAGE & NUT - body mounts, (2 req.) (ea)	13.95
C1214	68-72	CROSSMEMBER - front, attaches to RH & LH frame horn, core support & front bumper fastens to it	240.00
B0808	68-78	CROSSMEMBER - manual transmission	385.00
B0809	68-78	CROSSMEMBER - automatic transmission	336.75
B0803	68-82	CROSSMEMBER - over rear axle	216.05
C0927	68-70	CROSSMEMBER - rear	127.50
C0966	71-74	CROSSMEMBER - rear	109.95
B0901	68-74	CROSSMEMBER - #3 w/differential bracket	375.00
B0998	68-79	CROSSMEMBER - above rear end, reconditioned w/2 new with rubber cushions installed	325.00
B0976	68-82	CUSHION - steel sombrero (weld to bracket B0977 & B0978)	49.60
C0955	69-74	FRAME ASSEMBLY - w/automatic trans, transmission cross member	3,610.00
C0958	68-82	FRAME - original / reconditioned - subject to availability, truck freight plus any required crating.. price range typically \$3500-... \$4250	CALL
C0923	68-74	FRAME ASSEMBLY - rear cowl back, w/manual trans	2,218.50

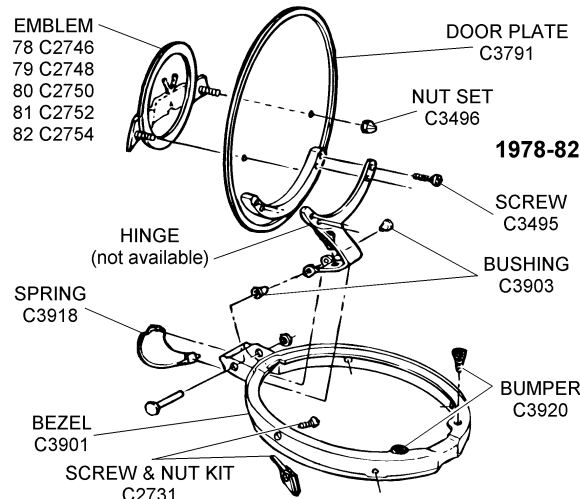
NOTE: Frame Assembly C0955 must be transferred and bolted in with manual

transmission. Old cross member must be welded in.

C0918	68-73	FRAME SECTION - side rail, 23', forward of rear wheels, LH	157.60
C0920	68-73	FRAME SECTION - side rail, 23', forward of rear wheels, RH	157.60
C0922	68-73	FRAME SECTION - side rail, 48', forward of rear wheels, LH	204.90
C0924	68-73	FRAME SECTION - side rail, 48', forward of rear wheels, RH	204.90
C0948	75-77	FRAME SECTION - side rail, 23', forward of rear wheels, LH	157.60
C0949	75-77	FRAME SECTION - side rail, 23', forward of rear wheels, RH	157.60
C0950	75-77	FRAME SECTION - side rail, 48', forward of rear wheels, LH	204.90
C0951	75-77	FRAME SECTION - side rail, 48', forward of rear wheels, RH	204.90
C0942	78-82	FRAME SECTION - side rail, 23', forward of rear wheels, LH	157.60
C0943	78-82	FRAME SECTION - side rail, 23', forward of rear wheels, RH	157.60
C0946	78-82	FRAME SECTION - side rail, 48', forward of rear wheels, LH	204.90
C0947	78-82	FRAME SECTION - side rail, 48', forward of rear wheels, RH	204.90
B0924	68-74	GUSSET - cross member to kick-up (side rail), LH	25.00
B0925	68-74	GUSSET - cross member to kick-up (side rail), RH	25.00
B0806	75-82	GUSSET - cross member to kick-up (side rail), LH	35.80
B0807	75-82	GUSSET - cross member to kick-up (side rail), RH	35.80
C0901	69-82	GUSSET - cross member kick-up, LH	59.15
C0908	69-82	GUSSET - cross member kick-up, RH	59.15
B0804	68-74	KICK-UP ASSEMBLY - w/brackets, LH	476.75
B0805	68-74	KICK-UP ASSEMBLY - w/brackets, RH	476.75
B0801	68-82	NUT - (square) body mount	5.90
G5012	68-72	PAINT - frame & chassis, asphalt based, black, quart	19.95

NOTE: Paint G5012 is asphalt based from original supplier and specified by OEM for frame painting and black out. This paint is absolutely necessary for restorers who demand authenticity. Susceptible to gasoline spills.

G5013	68-82	PAINT - synthetic zinc chromate primer, green	12.35
-------	-------	---	-------

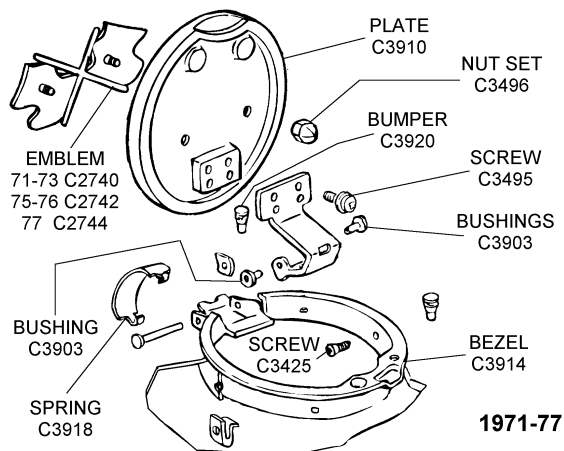
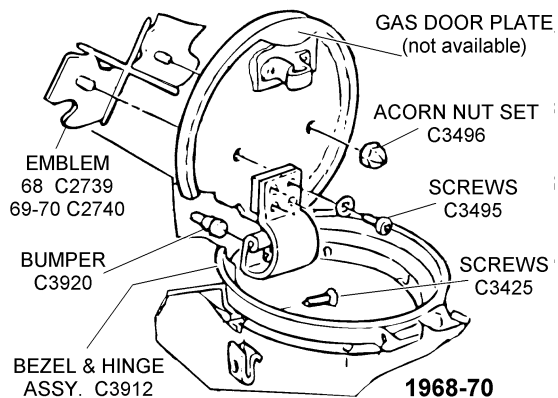


C3912	68-70	BEZEL & HINGE ASSEMBLY - gas door	55.95
C3914	71-77	BEZEL & HINGE ASSEMBLY - gas door	76.95
C3901	78-82	BEZEL & HINGE ASSEMBLY - gas door	75.30
C3920	68-82	BUMPER/STOP - gas door	5.00
C3903	71-82	BUSHING - gas door hinge pin, (2 req.) (ea)	5.95
C2739	68	EMBLEM - fuel door, crossed flags, (show quality)	66.65
C2761	68-73	EMBLEM - fuel door, crossed flags	53.25
C2740	69-73	EMBLEM - fuel door, crossed flags, (show quality)	48.00
C2742	75-76	EMBLEM - fuel door	83.40
C2744	77	EMBLEM - gas door	79.95
C2746	78	EMBLEM - fuel door	92.95
C2748	79	EMBLEM - fuel door	106.95
C2750	80	EMBLEM - fuel door	35.05
C2752	81	EMBLEM - fuel door	39.95
C2754	82	EMBLEM - fuel door	96.95
C2729	82	EMBLEM - fuel door, show quality	94.95
C3479	71-77	GAS DOOR - w/hinge assembly, pin & bumper	82.70
C3916	71-77	HINGE ASSEMBLY - gas door	8.95
C3496	68-82	NUT SET - gas door emblem acorn type, (2 pc.)	2.00
C3910	71-73	PLATE/DOOR - fuel	37.95
C8766	75-76	PLATE/DOOR - fuel	49.95
C3795	78-79	PLATE/DOOR - fuel / used original	29.50
C3791	80-82	PLATE/DOOR - fuel / used original-specify year	37.20
G3900	68-74	PROTECTOR - fuel spills on deck lid	6.95
G3901	75-82	PROTECTOR - fuel spills on deck lid	6.95

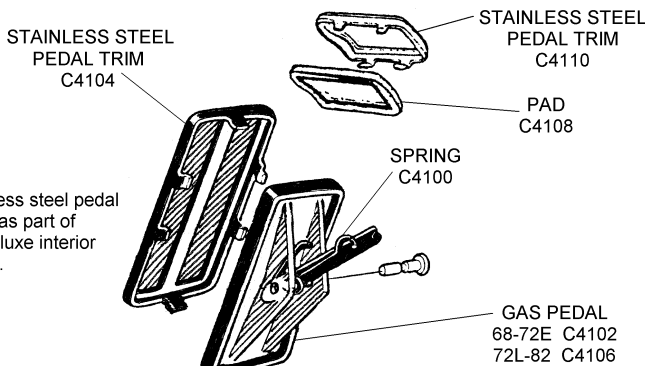
NOTE: Fuel Spill Protector G3900 & G3901 protect your deck lid from scratches and drips during fueling. It folds over the gas cap for storage and unfolds during fueling. Made from non-skid black rubber.

C3425	68-77	SCREW SET - gas door bezel, (4 pc.)	2.50
C3495	68-82	SCREW SET - gas door plate to hinge, (4 pc.)	3.60
C3932	78-82	SCREW & 'J' NUT KIT - gas door bezel, (8 pc.)	2.95
C3918	71-82	SPRING - gas door hinge	8.95

GAS DOOR

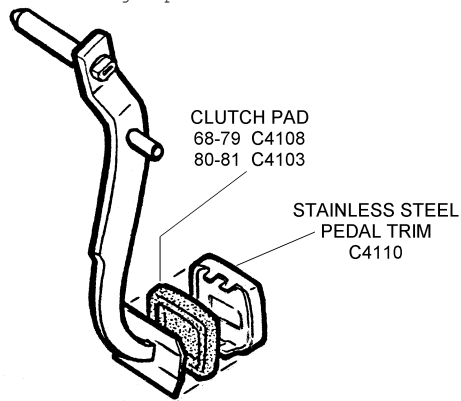


GAS PEDAL & PEDAL PADS



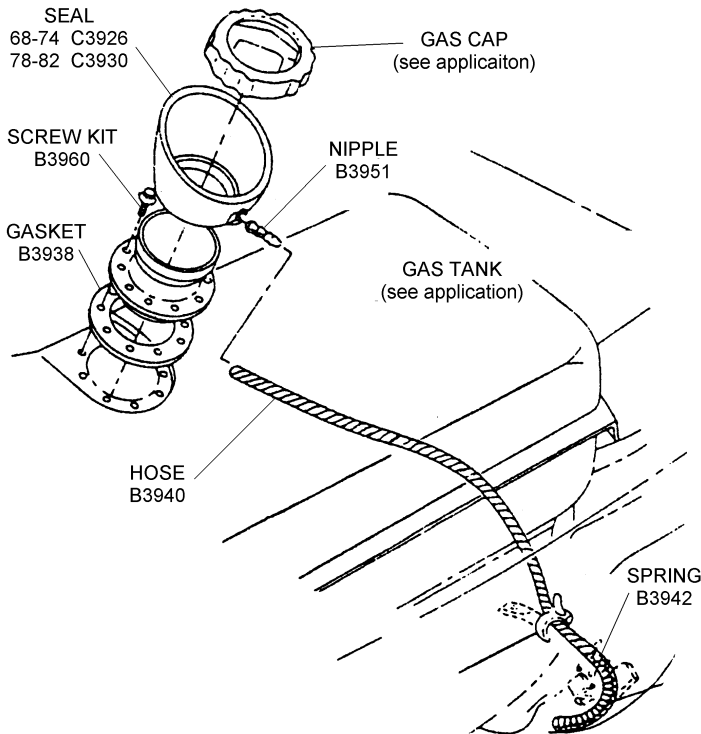
C4108	68-79	PAD - brake & clutch pedal	6.90
C4112	68-79	PAD - brake pedal, auto trans	6.75
C4105	80-82	PAD - brake pedal, auto trans	9.95
C4150	80-81	PAD - brake pedal, manual trans.	4.65
C4103	80-81	PAD - clutch pedal, manual trans	9.25
C4102	68-72E	PEDAL - gas	7.95
C4106	72L-82	PEDAL - gas	8.95
C4101	68-82	PIVOT PIN - gas pedal	3.50

- C3766 69-76 ROD - accelerator / used original21.95
- C4100 68-82 SPRING - gas pedal tension4.25

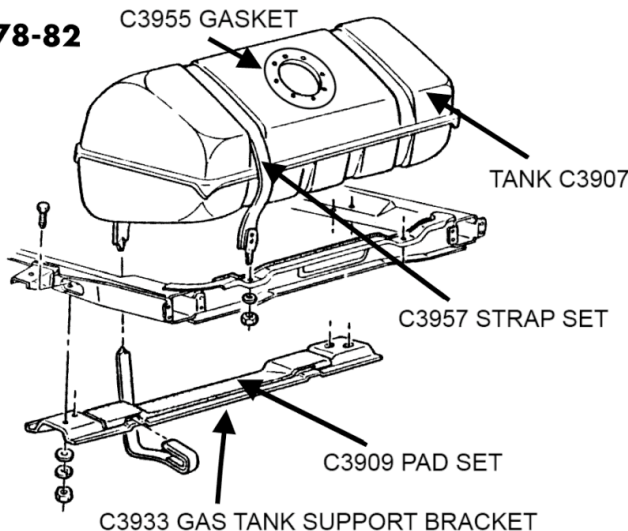


- C4104 68-72 TRIM - gas pedal, stainless steel6.95
- C4110 68-82 TRIM - brake (manual) & clutch pedal pad, stainless steel8.20

GAS TANK, CAP & RELATED



1978-82

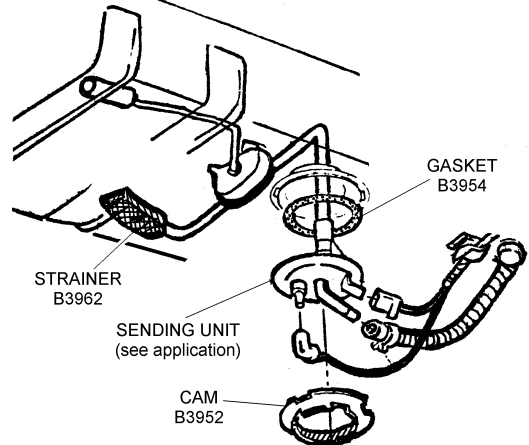


- B3955 68-74 BOLT KIT - gas tank support, 16 pc.11.75

- C3976 68-73 BRACKET - gas tank support, original reconditioned85.00
- C3977 75-77 BRACKET - gas tank support, original reconditioned82.00
- C3933 78-82 BRACKET - gas tank support, original reconditioned75.00
- B3952 68-74 CAM - gas tank sending unit meter retainer ...4.95
- B3934 68-69 CAP - gas, w/correct 'SM' logo29.95
- B3932 68-69 CAP - gas, identical to original except w/o logo22.95
- C3924 72-74 CAP - gas, w/correct 'S' logo41.75
- C3919 70-74 CAP - gas, replacement28.75
- C3939 75-77 CAP - gas, black plastic, replacement11.95
- C3988 75-82 CAP - gas, locking, w/2 keys17.55
- C3917 75-82 CAP - gas, self sealing, does not require removal to fill tank14.45
- C3940 78-82 CAP - gas10.25
- B3976 68-74 FILLER NECK - gas tank85.45

NOTE: Filler Neck B3976 will also serve as a functional replacement for 1971-74 but does not have the restrictor ring to prevent fuel splash-back and restricts fuel capacity to 18 gallons. Use of this on 1971-74 increases fuel capacity to 20 gallons.

- B3903 68-74 GASKET - gas cap, fiber4.30
- B3938 68-74 GASKET - gas filler neck to tank, cork3.15
- B3933 68-69 GASKET - gas cap/locking style, black rubber3.35
- B3954 68-74 GASKET - gas tank sending unit4.00
- C3971 75-77 GASKET - gas tank sending unit7.20
- C3955 78-82 GASKET - sending unit to tank8.95
- C1078 75-76 HARNESS - gas tank sending unit27.95
- B3940 68-82 HOSE W/NIPPLE KIT - gas neck overflow13.85
- B3951 68-82 NIPPLE - gas tank drain hose4.70
- B3946 68-82 PAD/INSULATOR SET - gas tank mount, anti-squeak, pr7.95
- B3974 68-82 PAD SET - gas tank (straps to tank), gas resistant, wear resistant (pr)10.00
- C3909 78-82 PAD SET- gas tank7.95
- C3980 70-74 ROLL OVER VALVE - gas tank (vent return, used) LH84.00
- B3960 68-74 SCREW SET - gas tank, neck to tank, (9 pc.) . 14.20
- C3926 68-74 SEAL - gas tank neck26.95
- C3937 75-77 SEAL - gas tank neck29.95
- C3930 78-82 SEAL - gas tank neck29.95

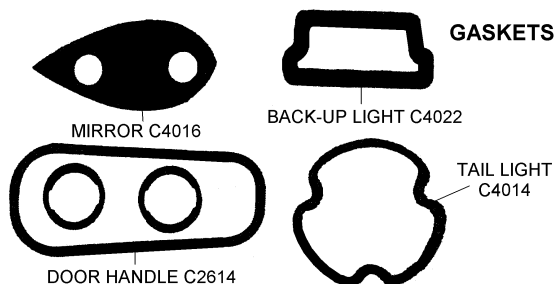


- C3938 68-74 SENDING UNIT - gas tank meter69.95
- C3944 75-77 SENDING UNIT - gas tank meter198.95
- C3946 78-81 SENDING UNIT - gas tank meter128.95
- C3900 82 SENDING UNIT - gas tank meter168.95
- C3975 71-74 SHIELD - gas tank19.00
- B3942 68-74 SPRING - filler neck overflow hose support ... 7.10
- B3962 68-74 STRAINER - gas tank sending unit13.50
- C3936 68-74 STRAP - gas tank, (2 req.) (ea)20.60
- C3957 78-82 STRAP SET - gas tank, 2pc30.00
- C3951 68-69E TANK - gas, 400/435/L88, w/rounded side indents & no tubes, thru July 29, 1969 W/O LOGO ... 199.95
- C3921 68-69E TANK - gas, 400/435/L88, w/rounded side indents & no tubes (correct repro. w/A.L. Anderson logo), thru July 29, 1969251.05
- C3922 68-69E TANK - gas, 300/350hp, 427/390hp, w/rounded side indents & 1 tube (correct repro. w/A.L. Anderson logo), thru July 29, 1969251.05
- C3931 69L-70 TANK - gas, 400/435/L88/LT-1 w/o ECC, square side indents w/o tubes (correct repro. w/A.L. Anderson logo)251.05
- C3927 69L-70 TANK - gas, 350-300/350hp, 427/390hp, w/square side indents & 1 tube (correct repro. w/A.L. Anderson logo)251.05
- C3928 70-72 TANK - gas, all except LT 1 w/o logo199.95
- C3929 70-72 TANK - gas, LT-1 w/EEC, w/square indents & evaporator emission control tube (correct repro. w/A.L. Anderson logo)251.05

- C3923 70-74 TANK - gas, all except LT-1, w/square indents & 2 tubes (correct repro. w/A.L. Anderson logo)251.05
- C3906 70-74 TANK - gas, 70-72 LT1/454, 73-74 ALL, (correct repro. w/A.L. Anderson logo)251.05
- B0358 75-77 TANK - gas, metal, repl. w/o bladder, (correct repro. w/A.L. Anderson logo)255.90
- C3953 78-82 TANK - gas, w/bladder, used, guaranteed to have good bladderCALL
- C3907 78-82 TANK - gas w/o bladder249.95
- B2984 68-74 TIE STRAP - 'T' shape, black, 5', for overflow hose2.25
- B3949 68-74 TOOL - gas tank sending unit meter removal ..16.75

- C3358 68-75 HOSE - coupe rear vent drain, w/o AC, (ea) ..18.60
- C3474 78-82 SCREW SET - door handle escutcheon/bezel, (2 pc.)1.80
- C4028 68-72 SEAL - lower grille panel to front cross member17.60
- C3765 74-81 SEAL - accelerator cable at firewall3.40
- C4273 68-77 SEAL KIT - dash gauges, w/speedo, tach lens gaskets, center gauge lens gasket & tell tail gaskets16.85
- C5104 68-76 SEAL KIT - fresh air vent doors, w/rivets, (does both sides)11.20
- C2912 68-72 SEAL KIT - front bumper brace, (pr)9.95
- C4033 73-79 SEAL KIT - front bumper brace, (pr)11.35
- C4001 68 SEAL KIT - rear vent door14.95
- C4005 69-76 SEAL KIT - rear vent door, w/AC12.95
- C4003 69-76 SEAL KIT - rear vent door, w/o AC21.95
- C4030 68-82 SEAL KIT - upper & lower fender skirt24.15
- A2606 68-79 STAPLE/WIRE KIT - front bumper brace seals ..4.95
- C4034 56-82 STAPLE KIT - seal installation, (various uses) (25 pc.)4.00
- B4011 68-75 WASHER SET - hardtop rear bolt, rubber, (pr)1.45

GASKET & SEALS



- C5172 68-76 FASTENER & BUMPER KIT - rear deck lid vent seal4.95
- B3933 68-69 GASKET - gas cap/locking style, black rubber3.35
- C2575 68-82 GASKET - small door access plate11.95
- C4012 68-73 GASKET - tail lamp housing to body, (ea)3.25
- C4014 68-73 GASKET - tail lamp lens, (ea)2.25
- C4016 68-77 GASKET - mirror mount, outside, (ea)2.95
- C4020 77-82 GASKET - sport mirror mount, (ea)8.00
- C4022 68 GASKET - back-up light lens, (ea)4.50
- B4891 68-75 GASKET - hard top rear deck lid ferrule2.35
- C4024 68 GASKET SET - back-up lights to body, (pr)8.50

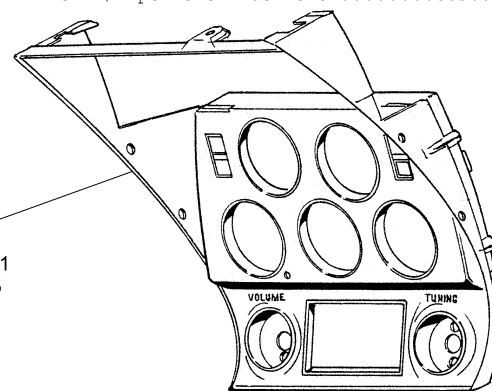
BODY GASKET SETS

Part No.	Year	Description	QTY	QTY	QTY
C4050	68	24 PIECE KIT			
C4051	69	22 PIECE KIT			
C4052	70-72	18 PIECE KIT			
B5026	68-82	GASKET - antenna	1	1	1
C4022	68	GASKET - back up lens			2
C4024	68	GASKET - back up lamp to body			2
C2614	68-82	GASKET - door handle	1	1	1
C4004	68-82	GASKET - door lock	1	1	
C4016	68-77	GASKET - mirror	1	1	1
C4008	68-69	GASKET - parking lamp lens			1 1
C4010	70-72	GASKET - parking lamp lens	1		
C4000	68-69	GASKET - side marker lamp			1 1
C4026	68-75	GASKET - soft top / hard top latch	1	1	1
C4012	68-73	GASKET - tail lamp to body	1	1	1
C4014	68-73	GASKET - tail lamp lens	1	1	1

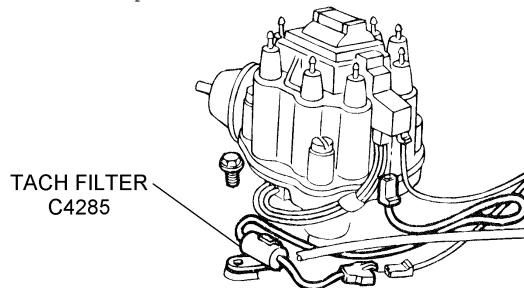
- C4050 68 GASKET SET - body, see chart for details, (24 pc.)38.15
- C4051 69 GASKET SET - body, see chart for details, (22 pc.)38.65
- C4052 70-72 GASKET SET - body, see chart for details, (18 pc.)35.00
- C4002 73 GASKET SET - body, (15 pc.)25.00
- C4026 68-75 GASKET SET - latch bezel on deck lid, soft or hardtop, (pr)4.65
- C2614 68-82 GASKET SET - door handle, (pr)4.35
- C4004 68-82 GASKET SET - door lock, (pr)1.55
- C4008 68-69 GASKET SET - park lamp lens, (pr)3.40
- C4010 70-72 GASKET SET - park lamp lens, (pr)4.50
- C4000 68-69 GASKET SET - side marker lights to body, (4 pc.)7.50

GAUGES, GAUGE LENS & GAUGE BEZELS

- C4271 68 BEZEL - center gauge and clock surround, smooth finish w/wiper override lens309.00



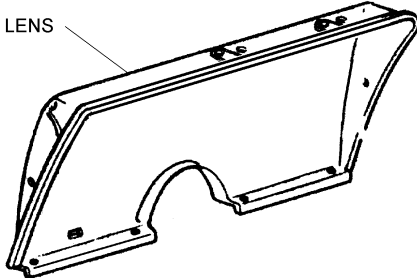
- C2105 68 BEZEL - center gauge and clock surround, smooth finish w/o wiper override lens309.00
- C2102 69-71 BEZEL - center gauge & clock surround155.20
- C2108 72-76 BEZEL - center gauge & clock surround110.95
- C2110 77 BEZEL - center gauge & clock surround90.35
- C4244 75-82 BOLT - tach filter to bracket2.00
- C4289 75-82 BRACKET - tach filter, (pre-owned)23.00
- C4238 68-77 CABLE W/KNOB - trip odometer reset62.95
- C4219 75-77 CIRCUIT BOARD - tachometer61.95
- C4252 78-79 CIRCUIT BOARD - tachometer61.95
- C4253 80-82 CIRCUIT BOARD - tachometer61.95
- C0021 77-82 CIRCUIT BOARD/PRINTED - small gauge cluster .77.60
- C4297 78-82 CIRCUIT BOARD/PRINTED - speedo & tachometer dash & warning lights74.95
- A4221 68-82 CUSHION - instrument mounting, 68-74 tach., 68-82 speedometer4.90



- C4285 75-82 FILTER - CONDENSER - tachometer circuit, exc. 80 Calif., recon.89.95
- NOTE: Your tachometer will not function without Filter C4285. It mounts on the intake.**
- C4250 68-77 GASKET - center gauge bezel, (foam)5.20
- C4290 68-77 GASKET - speedometer or tachometer gauge lens, (ea)6.20
- C4206 68-71 GAUGE - ammeter, green lettering59.95
- C4208 72-74 GAUGE - ammeter, white lettering59.95
- C4210 75-76 GAUGE - ammeter215.55
- C4212 68-71 GAUGE - fuel, green lettering59.95
- C4214 72-74 GAUGE - fuel, white lettering59.95
- C4298 68-71 GAUGE - oil pressure, green lettering59.95
- C4296 72-73 GAUGE - oil pressure, white lettering59.95

C4224	77	GAUGE - oil pressure	59.95
C4217	78-82	GAUGE - oil pressure	59.95
C4261	72-74	GAUGE - tachometer, 5300 redline	116.40
C4226	68-71	GAUGE - temperature, green lettering	59.95
C4228	72-74	GAUGE - temperature, white lettering	59.95
C4230	75-76	GAUGE - temperature	59.95
C4239	77	GAUGE - temperature	60.35
C4207	78	GAUGE - temperature	59.95
C4209	79	GAUGE - temperature	111.84
C4211	80-82	GAUGE - temperature	59.95
C4201	77	GAUGE - voltmeter	69.95
B4252	68-77	KNOB - trip odometer reset	3.15
C4237	78-82	KNOB - trip odometer reset	6.05
C4204	68-82	LENS - center gauge cluster, all small gauges	24.25
C4202	68-77	LENS - speedo/tach gauge lens, (ea)	14.95

INSTRUMENT LENS
C4240



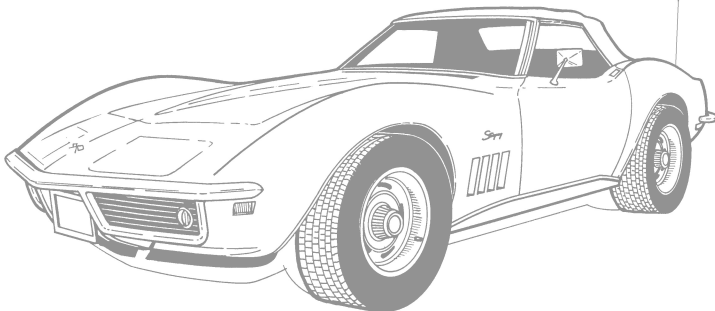
C4240	78-82	LENS - speedo/tach gauge lens, (ea)	60.50
C4730	82	LENS - speedo/tach color trimmed **collector edition**	129.35
C4256	68-71	LENS - small instrument cluster seat belt warning	5.20
C4260	68-77	NEEDLE - speedo or tachometer, 68-74 tach, 68-77 speedo	23.30
C4293	78-82	NEEDLE - SPEEDOMETER OR TACHOMETER	4.00
C4292	68-71	NEEDLE - small gauge	10.70
C4288	68-76	NEEDLE SET - small gauges, (4 pc.)	18.15
C4299	77-82	NEEDLE SET - small gauges, (4 pc.)	18.95
B4266	68-82	PAINT - florescent orange touch-up, jar	7.00
C4284	78-79	REBUILD KIT - tach circuit board (pre calibrated) w/instructions	69.00
C4241	75-77	REBUILD KIT - tach circuit board (pre-calibrated) w/instructions	69.00
C4281	80-82	REBUILD KIT - tach circuit board (pre-calibrated) w/instructions	69.00

NOTE: Tach and Speedo Kits allow rebuilding in shop or home. Includes new pre-calibrated units w/complete instructions.

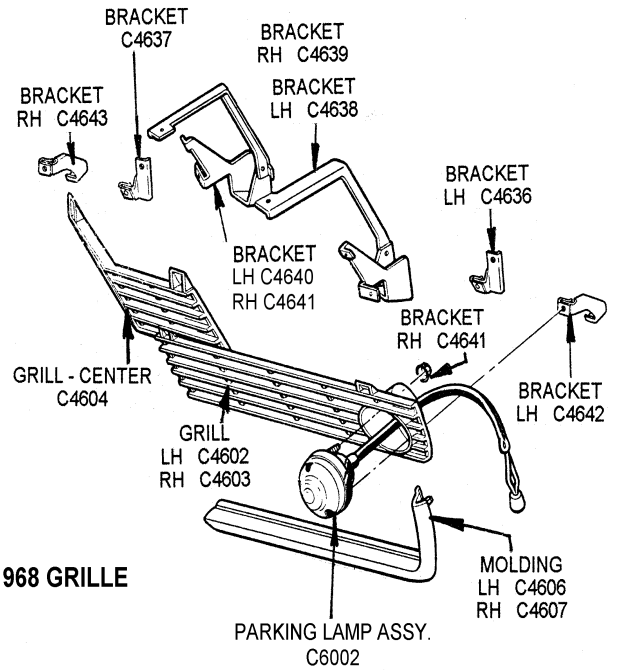
C4265	75-77	RESTORATION SERVICE - tachometer	89.95
C4286	78-79	RESTORATION SERVICE - tachometer	89.95
C4287	80-82	RESTORATION SERVICE - tachometer	89.95

NOTE: Tachometer Restoration Service includes new board, calibration and 1 year warranty.

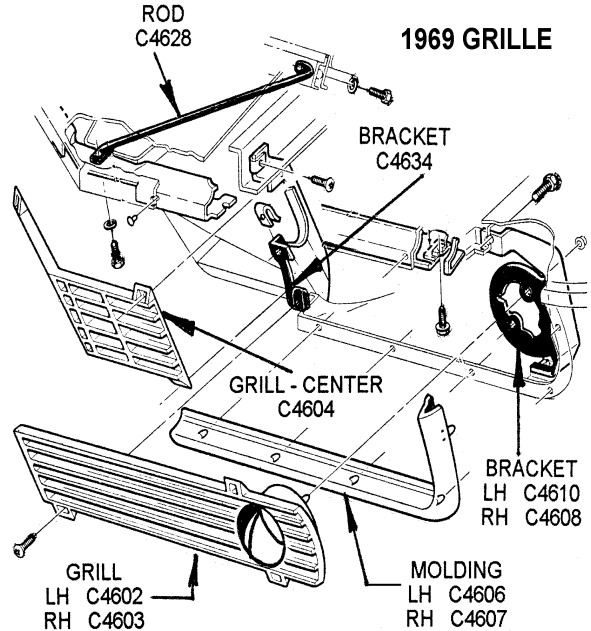
B4269	68-82	RIVET SET - gauge face, (2 pc.)	1.75
C5999	78-82	SCREW KIT - speedo & tach gauge lens & housing to dash, (8 pc.)	3.35
A4233	68-82	SCREW SET - gauge face mount, (2 pc.)	2.95
C4200	68-77	SEAL KIT - dash, (5 pc.)	19.05
C4273	68-77	SEAL KIT - dash gauges, w/speedo, tach lens gaskets, center gauge lens gasket & tell tail gaskets	16.85
C4232	68	SPEEDOMETER - green letter	336.25
C4262	77	SPEEDOMETER	443.00
C4258	68-71	SPRING & CLIP SET - small instrument cluster seat belt button	10.35
C4259	78-79	TACHOMETER W/CIRCUIT BOARD - L-48 GM # 5659215	199.00
C4275	78-79	TACHOMETER W/CIRCUIT BOARD - L-82 GM # 5659847	199.00



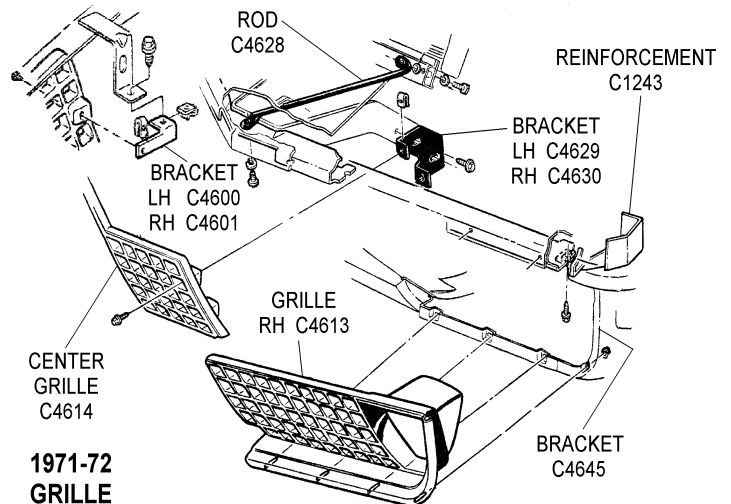
GRILLE & RELATED AREA



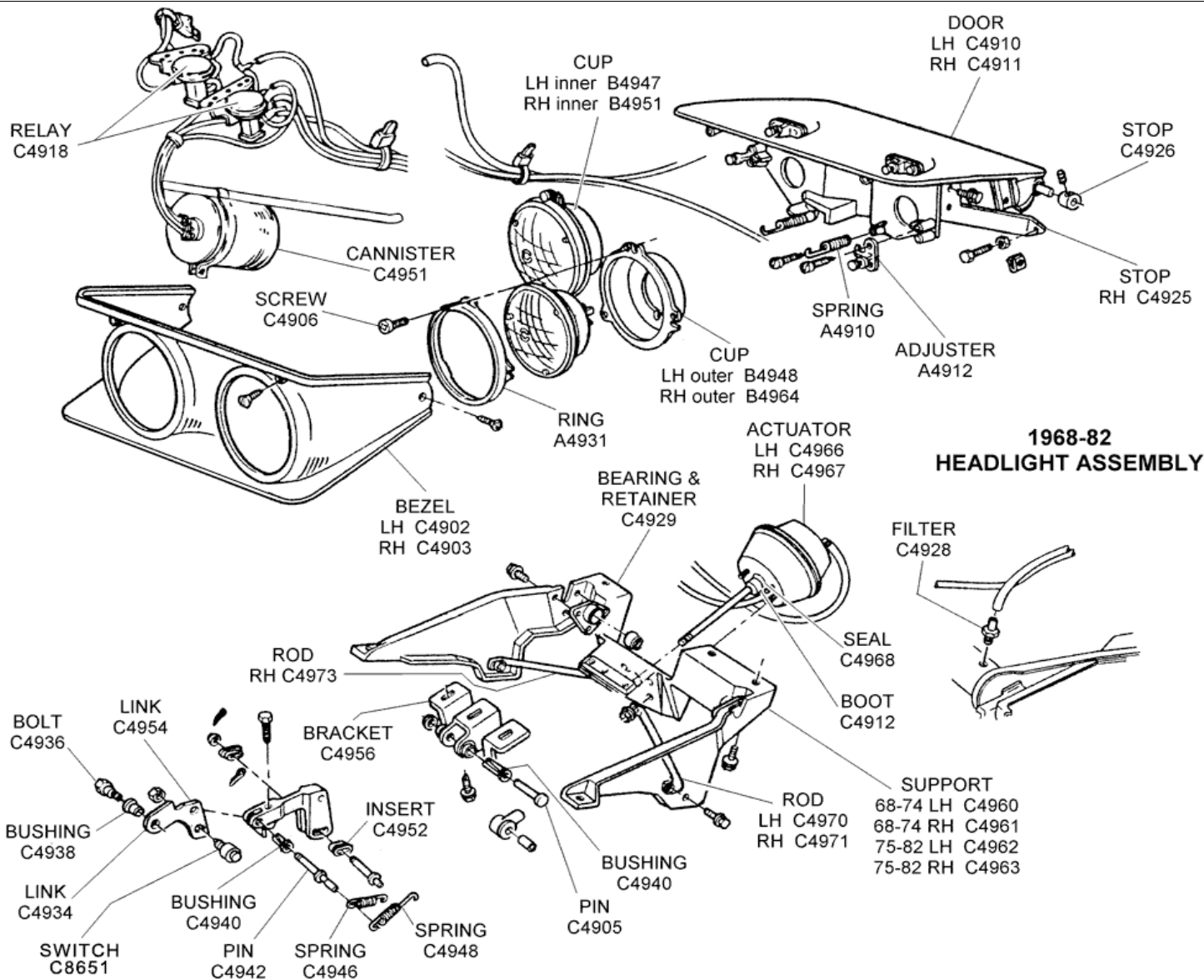
1968 GRILLE



1969 GRILLE

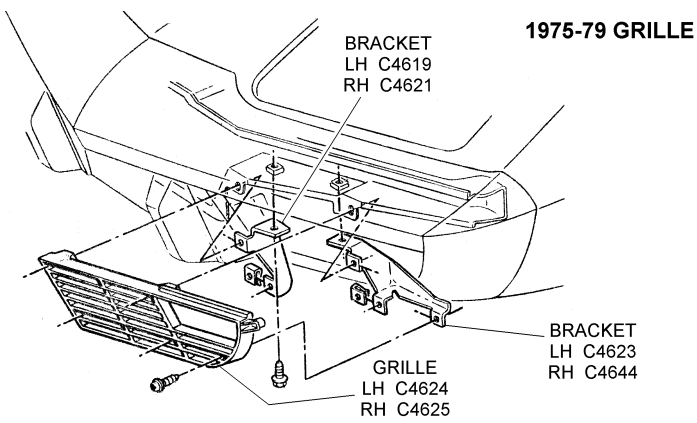


1971-72
GRILLE



1968-82 HEADLIGHT ASSEMBLY

1975-79 GRILLE



C4644	75-79	BRACKET - grille, outer, RH	36.60
C4646	80-82	BRACKET - grille, outer, LH	47.50
C4634	69	BRACKET SET - inner grille, (pr)	55.20
C4602	68-69	GRILLE - outer, LH	59.95
C4603	68-69	GRILLE - outer, RH	59.95
C4604	68-69	GRILLE - center	59.95
C4614	70-72	GRILLE - center, reconditioned	149.95
C4633	73	GRILLE - center / metal, black finish w/chrome trim	149.95
C4635	74	GRILLE - center, black, (reconditioned)	387.95
C5935	70	GRILLE - LH, w/studs, (used)	CALL
C5936	70	GRILLE - RH, w/studs, (used)	CALL
C4613	70-72	GRILLE - outer, RH, ('71-72 style)	766.75
C5937	71-72	GRILLE - LH, (used)	CALL
C5938	71-72	GRILLE - RH, (used)	CALL
C4617	73	GRILLE - LH, metal, black w/chrome trim, (excellent used)	CALL
C4615	73	GRILLE - RH, metal, black w/chrome trim, (excellent used)	CALL
C4631	74	GRILLE - LH, metal, black, (restored)	145.00
C4632	74	GRILLE - RH, metal, black, (restored)	145.00
C4618	73	GRILLE - LH, (plastic, repl.)	97.45
C4616	73	GRILLE - RH, (plastic, repl.)	97.45
C4622	74	GRILLE - LH, (plastic, repl.)	72.00
C4620	74	GRILLE - RH, (plastic, repl.)	72.00
C4624	75-79	GRILLE - outer, LH	53.35
C4625	75-79	GRILLE - outer, RH	53.35
C4626	80-82	GRILLE - outer, LH	50.55
C4627	80-82	GRILLE - outer, RH	50.55
C4606	68-69	MOLDING - outer grille, LH	174.95
C4607	68-69	MOLDING - outer grille, RH	174.95
C3432	68-69	MOUNT KIT - center & outer grille, 12pc	5.90
C3433	70-74	MOUNT KIT - center & outer grille, 12pc	5.80
C3468	75-79	MOUNT KIT - grille / 20pc	5.80
C4654	80-82	MOUNT KIT - front grills / 24pc	10.95
C4628	68-72	ROD - nose support, core support to header bar	22.95

C4610	69	BRACKET - grille & parking lamp, LH, outer	33.65
C4608	69	BRACKET - grille & parking lamp, RH, outer	33.65
C4636	68	BRACKET - outer grille, LH, upper	24.95
C4637	68	BRACKET - outer grille, RH, upper	24.95
C4642	68	BRACKET - outer grille, lower LH	109.90
C4643	68	BRACKET - outer grille, lower RH	98.55
C4638	68	BRACKET - outer grille, inner, LH, upper	54.95
C4639	68	BRACKET - outer grille, inner, RH, upper	54.95
C4640	68	BRACKET - outer grille, inner lower, LH	83.60
C4641	68	BRACKET - outer grille, inner lower, RH	98.70
C4629	70-72	BRACKET - grille, inner upper LH	12.95
C4630	70-72	BRACKET - grille, inner upper RH	12.95
C4600	70-72	BRACKET - grille, inner lower, LH, w/clips & bolts	12.35
C4601	70-72	BRACKET - grille, inner lower, RH, w/clips & bolts	12.35
C4645	70-72	BRACKET SET - grille mount, RH & LH, outer	24.95
C4619	75-79	BRACKET - grille, inner, LH	5.25
C4621	75-79	BRACKET - grille, inner, RH	5.25

C4605	73-79	ROD - nose support, core support to header bar	12.00
C4651	68-69	SPEED NUT SET - grille molding, 10pc	3.10

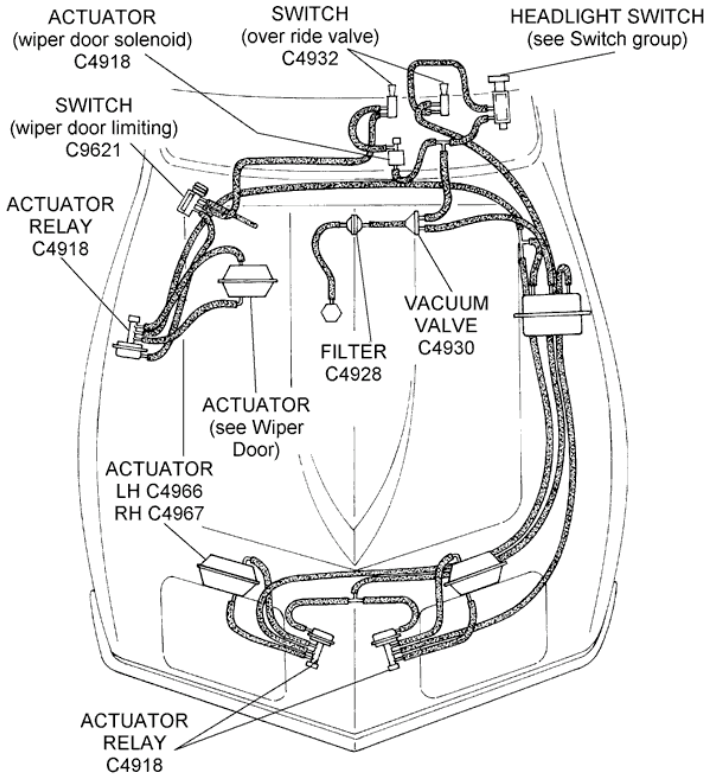
HEAD LIGHT ASSEMBLIES & COMPONENTS

Headlight & Wiper Vacuum Hose Kits & Related

C4930	68-82	CHECK VALVE - vacuum, headlight reservoir	17.85
C4928	68-82	FILTER/VALVE - headlight hoses	5.00
C4974	68-72	GROMMET - wire harness & vacuum lines, in radiator support	3.80
C4990	68	HOSE KIT - headlight & wiper motor, vacuum, standard	62.05
C4986	68	HOSE KIT - headlight & wiper motor, vacuum, deluxe	98.35
C4996	69	HOSE KIT - headlight & wiper motor, vacuum, standard	72.40
C4987	69	HOSE KIT - headlight & wiper motor, vacuum, deluxe	109.95
C4992	70	HOSE KIT - headlight & wiper motor, vacuum, standard	82.75
C4989	70	HOSE KIT - headlight & wiper motor, vacuum, deluxe	118.25
C4993	71-72	HOSE KIT - headlight & wiper motor, vacuum, standard	82.70
C4999	71-72	HOSE KIT - headlight & wiper motor, vacuum, deluxe	85.20
C4994	73-79	HOSE KIT - headlight & wiper motor, vacuum, standard	51.70
C4957	73-79	HOSE KIT - headlight & wiper motor, vacuum, deluxe	90.65
C4995	80-82	HOSE KIT - headlight & wiper motor, vacuum, standard	51.70
C4959	80-82	HOSE KIT - headlight & wiper motor, vacuum, deluxe	90.45
C4997	68-82	HOSE RETAINER - vacuum 'J'	5.95
C4941	71-72	LINE - firewall vacuum, steel	90.00
C4979	68-82	MANUAL - headlight & wiper vacuum system trouble shooting, complete step-by-step diagnostic guide	11.50

All kits include correct color striped hoses, schematic & instructions. Deluxe kits include C4928 filter/valve, C4930 valve, C4974 grommet & C4979 trouble shooting manual.

Headlight Assemblies & Components



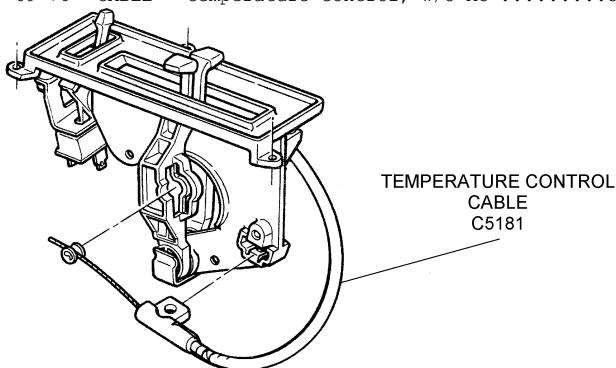
C4966	68-82	ACTUATOR - headlight door control, LH	132.05
C4967	68-82	ACTUATOR - headlight door control, RH	132.05
C4939	68-82	ADJUSTER - headlight adjuster w/screw, (ea)	3.25
C4929	68-82	BEARING - headlight housing opening, w/retainer, (4 req.) (ea)	6.90

C4902	68-82	BEZEL - headlight, fiberglass, LH	59.00
C4903	68-82	BEZEL - headlight, fiberglass, RH	59.00
C4943	68-74	BEZEL - headlight, metal, LH, original	CALL
C4945	68-74	BEZEL - headlight, metal, RH, original	CALL
C4936	68-82	BOLT - headlight housing actuator link	10.95
C4912	68-82	BOOT - dust, headlight actuator, accordion shape	9.95
C4956	68-82	BRACKET - headlight actuator	6.00
C0954	68-82	BRACKET - header bar reinforcement, to inner skirt, LH	30.00
C0953	68-82	BRACKET - header bar reinforcement, to inner skirt, RH	16.50
A6006	68-82	BULB - headlight, hi-low beam, standard replacement, (ea)	9.95
C4938	68-82	BUSHING - headlight housing actuator link	4.00
C4940	68-82	BUSHING/SLEEVE - headlight housing link, (cut to length)	2.95
C3872	68	CANISTER/RESERVOIR - headlight vacuum, reconditioned	CALL
C3874	69-72	CANISTER/RESERVOIR - headlight vacuum, reconditioned	CALL
C3877	73-79	CANISTER/RESERVOIR - headlight vacuum, reconditioned	CALL
C4951	68-82	CANISTER/RESERVOIR - headlight/wiper door vacuum storage, can be used as 68-79 replacement	64.15
C4930	68-82	CHECK VALVE - vacuum, headlight reservoir	17.85
NOTE: If this valve leaks, your headlight door will pop open.			
C4908	68-82	CLEVIS LINK - headlight actuator	15.25
C4998	68-82	COVER SET - headlight actuator, chrome	39.95
C4991	68-82	COVER SET - headlight actuator, brushed aluminum	39.95
B4947	68-82	CUP - headlight bulb retaining, inner, LH	16.50
B4951	68-82	CUP - headlight bulb retaining, inner, RH	16.50
B4964	68-82	CUP - headlight bulb retaining, outer, RH	16.50
B4948	68-82	CUP - headlight bulb retaining, outer, LH	16.50
C4910	68-82	DOOR - headlight, LH	259.00
C4911	68-82	DOOR - headlight, RH	259.00
C4928	68-82	FILTER/VALVE - headlight hoses	5.00
C4974	68-72	GROMMET - vacuum lines & wire harness in radiator support	3.80
C2899	68-82	GROMMET - firewall, 3 hole vacuum hoses, (ea)	7.25
C0905	68-82	HEADER BAR - hood surround & headlight reinforcement	98.30
C5011	69-74	HEADLIGHT ASSEMBLY - complete, LH	548.95
C5012	69-74	HEADLIGHT ASSEMBLY - complete, RH	548.95
C4984	75-82	HEADLIGHT ASSEMBLY - complete, LH	548.95
C4985	75-82	HEADLIGHT ASSEMBLY - complete, RH	548.95
B5139	68	HOSE - vacuum, 1/8' ID, w/white strip, (per foot)	2.60
C4953	69	HOSE KIT - headlight washers, 3 port pump	34.85
C4955	70-72	HOSE KIT - headlight washers, 5 port pump	31.60
NOTE: C4953 & C4955 include correct red stripped hose, not included with vacuum hose kits.			
C4952	68-82	INSERT - headlight housing actuator rear link	3.25
C4934	68-82	LINK - headlight housing front	14.45
C4954	68-82	LINK - headlight housing rear	29.95
C4979	68-82	MANUAL - headlight & wiper vacuum system trouble shooting, complete step-by-step diagnostic guide	11.50
C4913	68-72	MOUNT KIT - headlight shields	3.95
C4904	69-71E	NOZZLE KIT - headlight washer, w/mount kit, (4 pc.)	48.25
C4942	68-82	PIN - headlight housing actuator link	12.95
C4950	68-82	PIN - headlight housing actuator rear link	4.95
C4978	68-82	PLATE - center fender skirt reinforcement	6.75
C4918	68-82	RELAY - headlight actuator solenoid valve on inner fender (68-69 1 req., 70-82 2 req.)	72.25
C4909	68-82	RETAINING RING - headlight actuator seal (necessary if you break a tab while replacing headlight actuator seal)	9.35
A4931	68-82	RING - headlight bulb retainer, stainless steel, (4 req.) (ea)	22.60
B0934	68-82	RIVET SET - soft aluminum flat head 7/16' long, (50 pc.)	5.20
C4972	68-82	ROD - headlight actuator support, inboard, LH	11.00
C4973	68-82	ROD - headlight actuator support, inboard, RH	11.00
C4970	68-82	ROD - headlight actuator support, outboard, LH	11.00
C4971	68-82	ROD - headlight actuator support, outboard, RH	11.00
A4934	68-82	SCREW - headlight capsule adjustment	1.75
C4906	68-82	SCREW SET - headlight bulb, retaining ring, (4 pc.)	2.85
C3424	68-82	SCREW SET - headlight bezel, (8 pc.)	3.75
C4969	68-82	SCREW SET - headlight bezel, (12 pc.)	8.65
A4999	68-82	SCREW SET - headlight capsule adjuster to door, 20pc	6.95
C4968	68-82	SEAL - headlight actuator rod	10.85

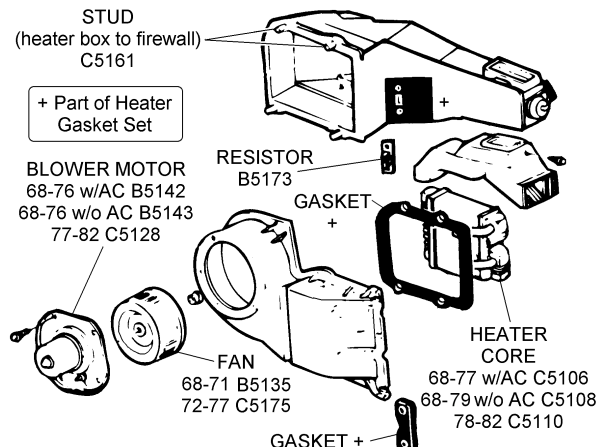
C4900	68-69E	SHIELD SET - headlight, (behind grille) (pr)	.34.95
C4901	69-72	SHIELD SET - headlight, (behind grille) (pr)	.34.95
C4977	68-82	SLEEVE - headlight actuator rear link, (ea)	.2.25
C4750	68-82	SPRING - headlight actuator link, (stainless steel) (ea)	4.35
A4910	68-82	SPRING - headlight capsule tension, straight type	2.50
C4751	68-82	SPRING - headlight housing, (stainless steel) (ea)	4.35
C4946	68-82	SPRING - headlight actuator link	3.95
C4948	68-82	SPRING - headlight housing	4.60
C4926	68-82	STOP - headlight bearing control	3.95
C4924	70-82	STOP - headlight door, LH, reconditioned	25.90
C4925	70-82	STOP - headlight door, RH, NOS	25.00
C4949	68-79	STOP SCREW & NUT - headlight door, (pr)	8.40
C4960	68-74	SUPPORT - headlight housing, LH	234.00
C4961	68-74	SUPPORT - headlight housing, RH	234.00
C4962	75-82	SUPPORT - headlight housing, LH	181.05
C4963	75-82	SUPPORT - headlight housing, RH	181.05
C8651	69-77	SWITCH - headlight door open warning, (2 req.) (ea)	23.95
C4932	68-82	SWITCH/VALVE - light vacuum door opening override, under dash	20.95
B2984	68-74	TIE STRAP - headlight hose retainer, black, 'T' shape	2.25
C2994	69-75	TIE STRAP - 7' repl., 'T' style (2-7 req.) (ea)	1.50

HEATER & VENT SYSTEM

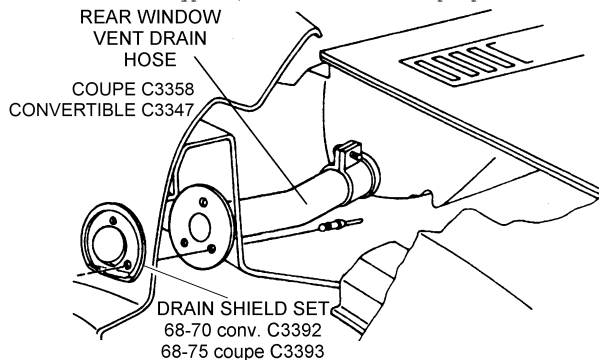
C5390	69-77	ACTUATOR - heater air distribution, repl.	23.20
B0350	68-76	BRACKET - heater hose on AC compressor	20.70
B5130	68-80	BRACKET - heater hose retainer	5.70
C5182	69-76	CABLE - temperature control, w/AC	34.95
C5183	69-76	CABLE - temperature control, w/o AC	34.95



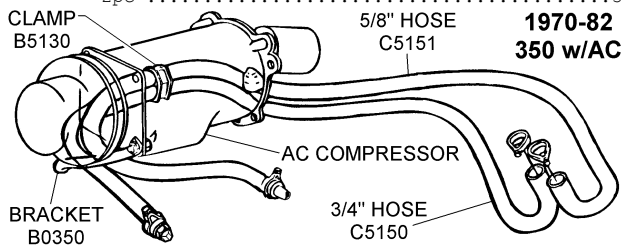
C5181	77-82	CABLE - temperature control, w/AC	35.00
C5129	68-74	CABLE ASSEMBLY - fresh air vent control, all exc. w/AC, 2 required, each	21.95
B7152	68-80	CAPACITOR - on heater blower motor	45.00
B5161	68-75	CLAMP - rear vent drain hose, repl.	2.15
B5100	68	CLAMP & FASTNER KIT - heater hose on inner fender w/AC	13.35
C5103	77-82	CONTROL ASSEMBLY - heater/AC, (on console)	116.40
B5135	68-71	FAN - heater blower motor, plastic, (repl.)	26.25
C5175	72-77	FAN - heater blower motor	2.75
C5172	68-76	BUMPER KIT - rear deck vent seal fastner, 12 pc.	4.95
B5120	68-82	FITTING - water pump heater hose, 73-82 all, w/AC, correct	14.70
B5138	68-71	FITTING - heater hose, 'T' shape	11.95
A5156	68-80	FITTING - heater hose on intake manifold, 1/2' NPT	10.50
B2060	68-69	FITTING - heater hose/on intake, 427	9.70
B2092	68-72	FITTING - water pump, for heater hose, w/o AC, replacement	13.25
C0230	68-77	GASKET KIT - air conditioning/heater box	46.60
C0231	78-82	GASKET KIT - air conditioning/heater box	53.35
C5160	68-79	GASKET KIT - heater box, w/o AC	28.00
C5184	68	GRILLE - vent on rear deck lid behind window, preowned, (2 req.) (ea)	44.95
C5185	69-76	GRILLE - vent on rear deck lid behind window, (2 req.) (ea)	37.95
C5190	68-75	GRILLE SET - deck vent, chromed, (pr)	194.00



C5106	68-77	HEATER CORE - w/air conditioning	70.50
C5110	78-82	HEATER CORE - w/air conditioning	74.95
C5108	68-79	HEATER CORE - w/o air conditioning	69.95
B2095	68-74	HOSE - bypass, intake to water pump 427/454	7.95



C3358	68-75	HOSE - plenum drain coupe rear, ea	18.60
C3347	68-70	HOSE SET - plenum drain, roadster rear, 2pc	31.95



C5150	68-82	HOSE - heater, 3/4' w/90 degree molded end on all AC cars	32.50
C5151	68-82	HOSE - heater, 5/8' w/90 degree molded end on all AC cars	28.05
C5141	68	HOSE KIT - heater & AC vacuum, w/AC	39.95
C5142	69-70	HOSE KIT - heater & AC vacuum, w/AC	39.00
C5143	69-70	HOSE KIT - heater & AC vacuum, w/o AC	33.15
C5144	71-75	HOSE KIT - heater & AC vacuum, w/AC	34.95
C5145	71-75	HOSE KIT - heater & AC vacuum, w/o AC	29.95
C5147	76	HOSE KIT - heater & AC vacuum, w/AC	41.95
C5146	76	HOSE KIT - heater & AC vacuum, w/o AC	25.90
C5149	77-82	HOSE KIT - heater & AC vacuum, w/AC	40.95

NOTE: Hose Kits (C5141 - C5149) connect to the heater/AC control under the center console. These hoses control hot or cold air flow, defroster, and rear vent door.

ORDER BY PHONE:
1-800-872-2446



ORDER BY FAX:
708-458-2662

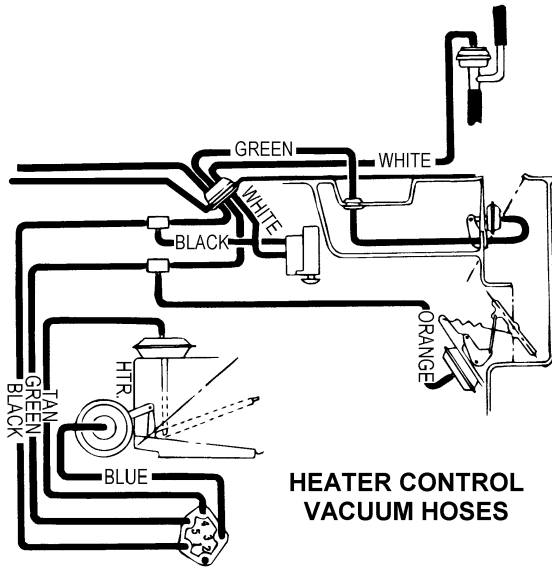
TECHNICAL QUESTIONS:
708-458-2500



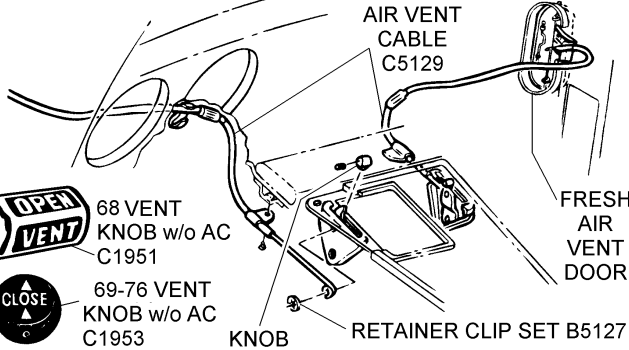
CUSTOMER SERVICE:
708-458-6577

QUESTIONS ABOUT YOUR ORDER:
708-458-2500

Quality - Service - Price
We have it all. Give us a call.



- C5148 77-79 HOSE KIT - heater & AC vacuum, w/o AC31.05
- B2063 68-79 HOSE KIT - heater, w/GM logo, white & red logos, 68-69 all, 70-79 w/o AC48.75
- B5170 68-82 HOSE SET - heater, w/ribs, 68-69 all, 70-79 w/AC31.70
- B5157 68-82 HOSE SET - heater, generic, 68 all, 70-71 w/AC14.95
- C1953 69L-76 KNOB - air vent control, (w/o AC)7.25

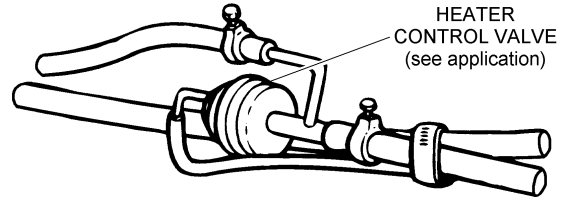


- C1951 68-69E KNOB SET - vent, w/o air conditioning, (pr) . 16.85
- C5111 68 LENS - heater/AC selector control, w/AC14.45
- C5109 68 LENS - heater selector control, w/o AC14.45
- C5115 69-71 LENS - heater/AC selector control, w/AC14.45
- C5113 69-71 LENS - heater selector control, w/o AC14.75
- C5117 72-75 LENS - heater/AC selector control18.45
- C5116 72-75 LENS - heater selector control, w/o AC15.50
- C5391 76 LENS - heater/AC selector control14.20
- C4276 78-82 LENS - heater/AC selector control22.95
- C5107 77-82 LEVER - heater/AC selector control13.25
- B5142 68-76 MOTOR - heater blower, w/AC39.95
- B5143 68-76 MOTOR - heater blower, w/o AC39.95
- C5128 77-82 MOTOR - heater blower34.95
- B5177 68-82 NUT - blower motor fan1.00
- C5186 68-76 NUT SET - rear deck lid vent grill screws, 'U' shape, (8 pc.)7.25
- B2062 68-69 PIPE - water pump & intake man. bypass pipe, 427 (press-in type)6.75
- C5118 77-82 PLATE - heater control face17.25
- C5134 68 REFACE KIT - heater & AC control, w/AC74.80
- C5133 68 REFACE KIT - heater & AC control, w/o AC74.80
- C5136 69-71 REFACE KIT - heater & AC control, w/AC86.95
- C5135 69-71 REFACE KIT - heater & AC control, w/o AC74.80
- C5138 72-75 REFACE KIT - heater & AC control, w/AC69.45
- C5137 72-75 REFACE KIT - heater & AC control, w/o AC74.80
- C5139 76 REFACE KIT - heater & AC control, w/AC74.80

Why pay \$100 or more to have your old Heater / AC Control unit restored? Available now is an all-new Reface Kit (C5133 - C5139) so you can restore your unit for 1/2 the cost. Components are made from original molds and include: bezel, face plate lens, indicators, actuator pulleys, strings and thumb wheel. Assembled and ready to install.

- B0221 68 RELAY - heater/AC blower16.95
- C0235 69-76 RELAY - heater/AC blower19.30
- C0236 77-79 RELAY - heater/AC blower27.60
- C0237 80-82 RELAY - heater/AC blower7.90
- B5173 68-79 RESISTOR - heater blower motor, all except w/AC18.35
- B0308 68-69 RETAINER - heater valve13.75
- B5127 68-76 RETAINER SET - vent cable, (5 pc.)2.50
- B5179 68-82 SCREW & TERMINAL KIT - heater fan motor mount6.45
- B5107 68-82 SCREW KIT - heater cable to heater box, (2 pc.)1.20

- C5104 68-82 SEAL KIT - fresh air vent doors, w/rivets, does both sides, (pr)11.20
- C5130 68 SEAL KIT - rear deck vent door, astro ventilation15.50
- C5131 69-76 SEAL KIT - rear deck vent door, w/o AC, Astro Ventilation21.95
- C5132 69-76 SEAL KIT - astro ventilation, rear vent door, all w/AC14.95
- C3392 68-70 SHIELD SET - rear vent drain hose, convertible, stainless steel, (pr)31.05
- C3393 68-75 SHIELD SET - rear vent drain hose, coupe, stainless steel, (pr)36.15
- B5150 68-71 STUD PLATE - heater box to firewall, (2 req.) (ea)14.70
- C5161 68-82 STUD SET- heater box to firewall, w/o AC, (includes nut)11.85
- C5140 69-76 SWITCH - heater & AC low blower, on heater control11.95
- C0232 68-69 SWITCH - heater, all w/AC, blower low speed, push button, type 2 terminal mounts under dash on heater AC plenum, NOS GM #3870286 ...39.95
- C5114 77-82 SWITCH - heater & AC blower control15.95
- B0249 68 VALVE - heater water control w/AC26.00
- C0207 69-70 VALVE - heater water control, w/o AC26.25
- C5154 76-78 VALVE - heater water control, all76.30
- C5153 79-81 VALVE - heater water control, w/AC29.50



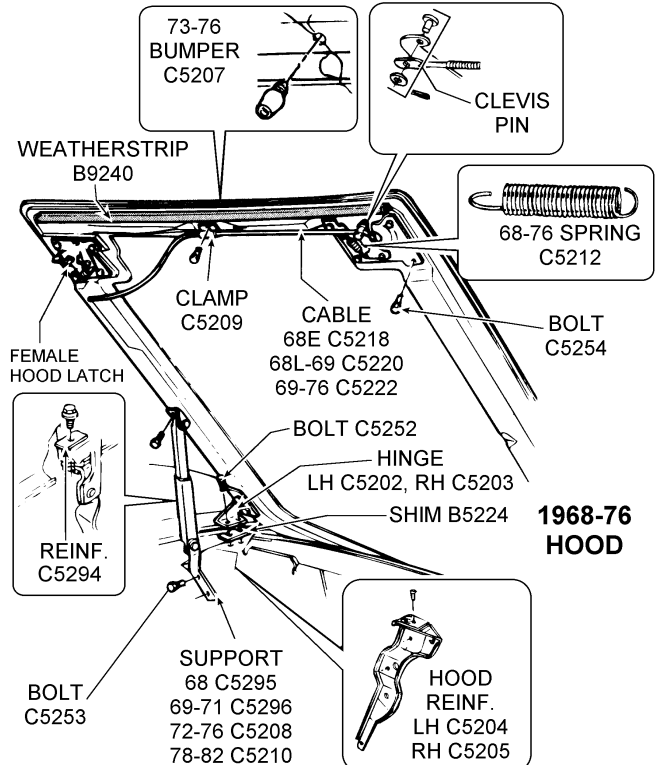
- C5100 82 VALVE - heater water control22.35
- C8437 68-72 VENT OUTLET - air, at firewall, LH or RH, w/o AC, NOS77.00

HOOD

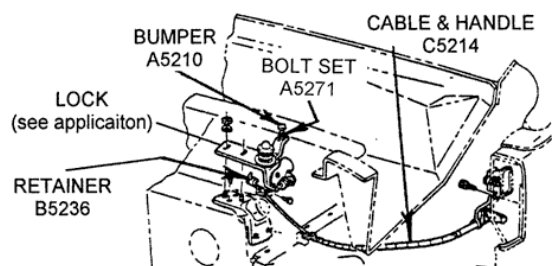
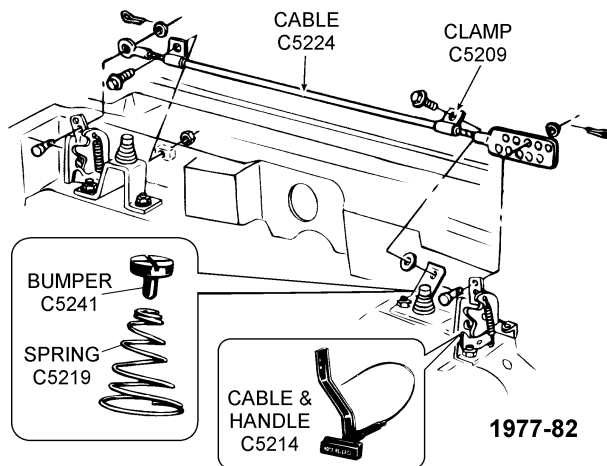
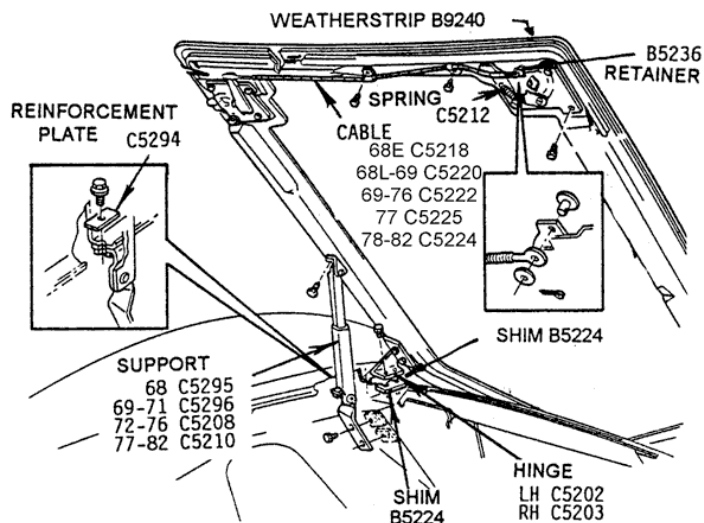
Hood Assemblies

- C8463 68-69 HOOD ASSEMBLY - 327/350525.00
- C8464 70-72 HOOD ASSEMBLY - 327/350525.00
- C8466 68-72 HOOD ASSEMBLY - 427/454/LT1599.00
- C8494 73-79 HOOD ASSEMBLY525.00
- C8497 80-82 HOOD ASSEMBLY525.00

Hood Cables, Catches, Fastners, Hinges, Supports & Misc.

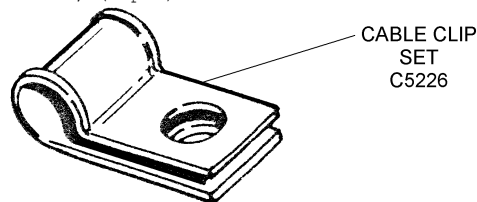


1968-76 HOOD

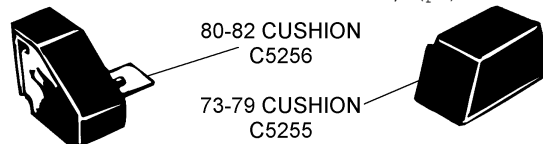


C5207	73-76	BUMPER - hood, rear, anti-rattle, (ea)	3.25
A5210	68-76	BUMPER SET - hood stop bolt adjuster, rubber, (pr)	4.95
C5254	68-76	BOLT SET - hood lock, female	8.50
C5253	68-82	BOLT SET - hood support	2.40
C5252	68-82	BOLT SET - hood hinge / does 2 hinges (8pc)	6.50
A5270	68-76	BOLT/BUMPER KIT - hood adjusting, 2 bolts, 2 bumpers	9.35
C5232	74-79	BUMPER - hood stabilizer block, (ea)	4.80
C5241	77-82	BUMPER - hood (rubber) mounts on top of spring	2.85
C5218	68E	CABLE - hood release, (on hood)	41.35
C5220	68L-69	CABLE - hood release, (on hood), 33', white casing	42.60

C5225	77	CABLE - hood release, (on firewall), latch to latch	36.25
C5224	78-82	CABLE - hood release, (on firewall), latch to latch, black casing	28.30
C5277	68L-82	CLEVIS PIN KIT - hood release cable on hood, (6 pc.)	6.65

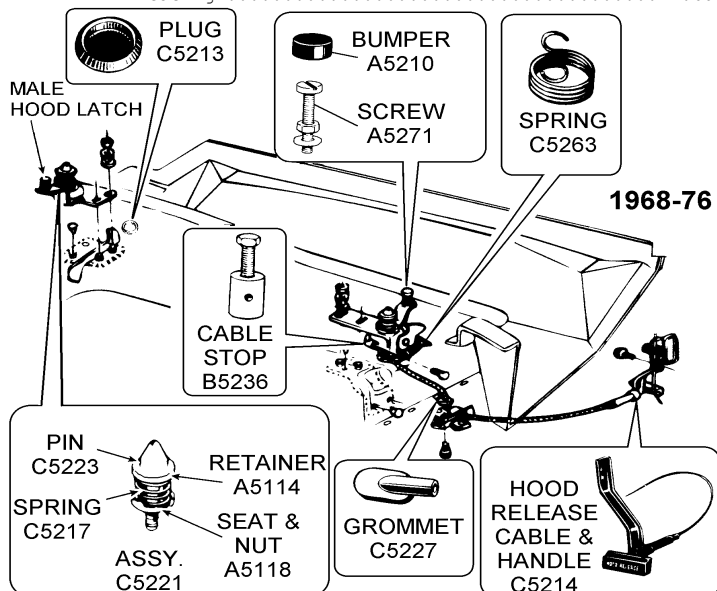


C5226	68-82	CLIP SET - hood release cable, (pr)	5.20
-------	-------	-------------------------------------	------



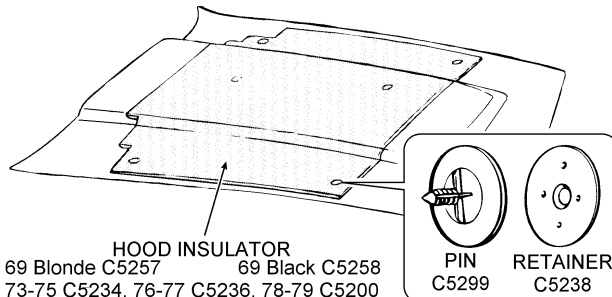
C5255	73-79	CUSHION SET - hood alignment bumpers, (4 pc.)	15.25
C5256	80-82	CUSHION SET - hood alignment bumpers, (4 pc.)	24.75

C2431	70E	DECAL SET - LT1 hood, black, (pr)	8.20
C2766	70L-72	DECAL - LT-1 hood, white	15.95
B2728	68-72	EMBLEM - hood number '2'	16.50
B2727	68-72	EMBLEM - hood number '4'	16.50
C2758	70-72	EMBLEM - hood number '5'	8.65
B2729	68-72	EMBLEM - hood number '7'	7.80
C2762	75-79	EMBLEM - hood, L-82	14.95
B2730	68-69	EMBLEM KIT - hood numbers, '427' (6 pc.)	42.95
C2749	70-72	EMBLEM KIT - hood numbers, '454' (6 pc.)	42.95
C2760	73-74	EMBLEM SET - hood, 454, (show quality) (pr)	44.95
C2764	73-79	EMBLEM SET - hood, L-48, same design as L82, not originally installed on hoods by factory, (pr)	24.95



C5214	68-82	CABLE - hood release, w/handle & bracket	46.98
C5222	69-76	CABLE - hood release, (on hood), 31 3/4', black casing	58.50

C3334	68-72	GRILLE - big block hood, 427/454 LT1, LH	57.45
C3335	68-72	GRILLE - big block hood, 427/454 LT1, RH	57.45
C5298	73-76	GRILLE - hood	103.45
C5227	68-76	GROMMET - hood release cable in firewall	8.50
C5201	77-80	GROUND WIRE - hood lamp	9.35
C5202	68-82	HINGE - hood, LH	26.85
C5203	68-82	HINGE - hood, RH	27.60
C5273	68-82	HINGE SET - chrome, (pr)	153.85
C5295	68	HOOD SUPPORT	65.00
C5296	69-71	HOOD SUPPORT	49.95
C5290	72-73E	HOOD SUPPORT	60.00
C5291	73M-76	HOOD SUPPORT	60.00
C5292	77E	HOOD SUPPORT	70.00
C5210	77M-82	HOOD SUPPORT	70.00



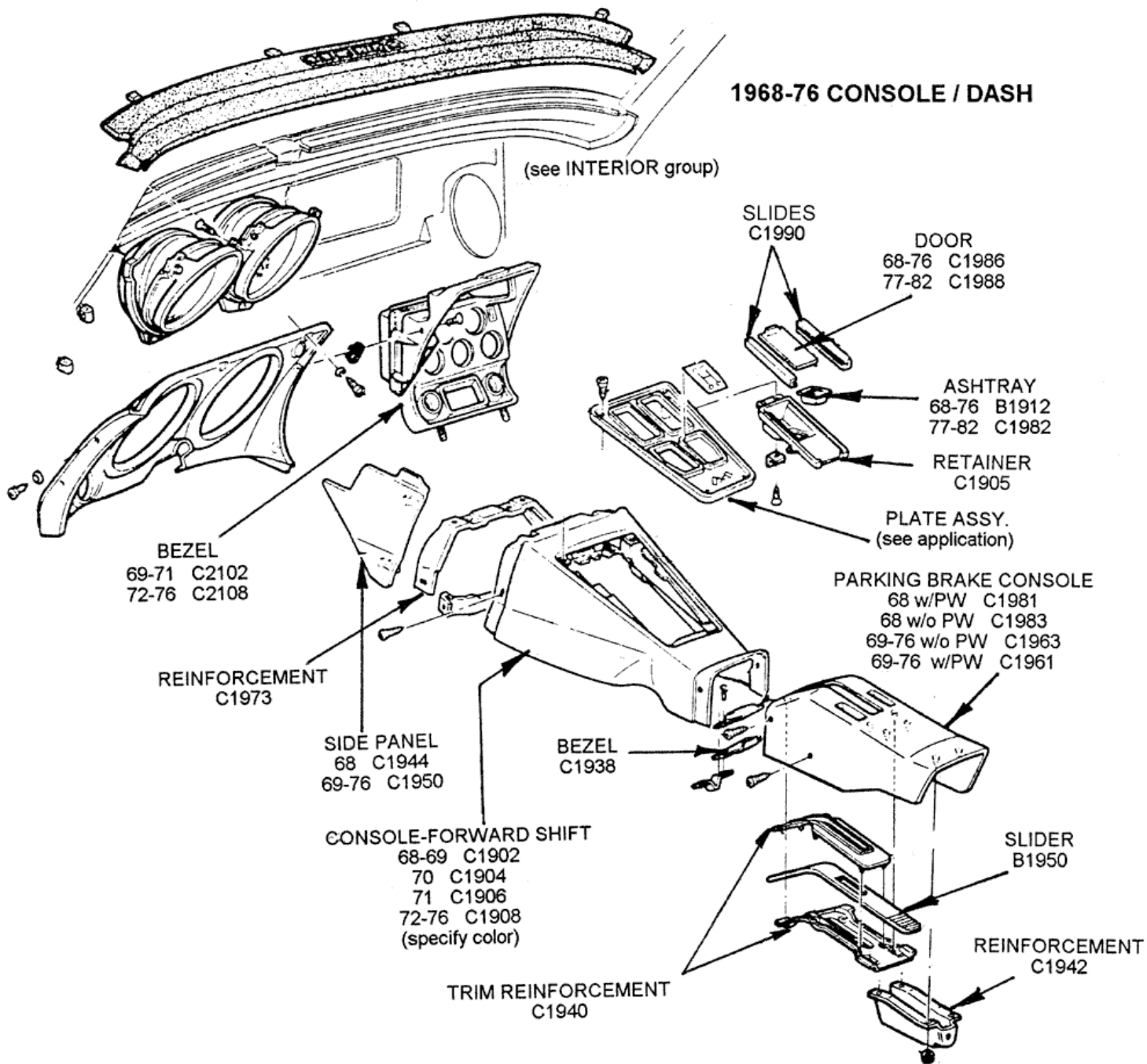
		HOOD INSULATOR	
	69	Blonde C5257	69 Black C5258
	73-75	C5234	76-77 C5236, 78-79 C5200
C5258	69	INSULATOR/MAT - hood, (black color)	67.20
C5234	73-75	INSULATOR/MAT - hood, not molded	21.60

INTERIOR COLOR CODES		
YEAR	COLOR	CODE
1968	BLACK	BLK
	MEDIUM BLUE	MBL
	DARK BLUE	DBL
	DARK ORANGE	DOR
	GUN METAL	GUN
	RED	RED
	SADDLE	SAD
	TOBACCO	TOB
1969	BLACK	BLK
	BRIGHT BLUE	BRB
	GREEN	GRN
	GUN METAL	GUN
	RED	RED
1970	BLACK	BLK
	BLUE	BLU
	BROWN	BRN
	GREEN	GRN
	RED	RED
	SADDLE	SAD
1971	BLACK	BLK
	DARK BLUE	DBL
	SADDLE	SAD
	GREEN	GRN
1972	BLACK	BLK
	BLUE	BLU
	SADDLE	SAD
	RED	RED
1973	BLACK	BLK
	MIDNIGHT BLUE	MDB
	DARK SADDLE	DSA
	MEDIUM SADDLE	MSA
	DARK RED	DRD
1974	BLACK	BLK
	DARK BLUE	DBL
	SADDLE	SAD
	NEUTRAL	NEU
	DARK RED	DRD
1975	BLACK	BLK
	DARK BLUE	DBL
	MEDIUM SADDLE	MSA
	NEUTRAL	NEU
	DARK RED	DRD
	SILVER	SIL

INTERIOR COLOR CODES		
YEAR	COLOR	CODE
1976	BLACK	BLK
	BLUE GREEN	BLG
	BUCKSKIN	BUC
	DARK BROWN	DBR
	FIRETHORN	FIR
	SMOKE GRAY	SGR
	WHITE	WHT
	WHITE / BLACK	WBK
	WHITE / BLUE	WBU
	WHITE / FIRETHORN	WFI
	WHITE / GRAY	WGR
1977	BLACK	BLK
	BUCKSKIN	BUC
	BLUE	BLU
	BROWN	BRN
	RED	RED
	SMOKE GRAY	SGR
	WHITE	WHT
	WHITE / BLACK	WBK
	WHITE / BLUE	WBU
WHITE / GRAY	WGR	
WHITE / RED	WRE	
1978	BLACK	BLK
	DARK BLUE	DBL
	LIGHT BEIGE	LBE
	OYSTER	OYS
	MAHOGANY	MNY
	DARK BROWN	DBN
1979	BLACK	BLK
	DARK BLUE	DBE
	DARK GREEN	GRN
	LIGHT BEIGE	LBE
	OYSTER	OYS
	RED	RED
1980	BLACK	BLK
	CLARET	CLA
	DARK BLUE	DBL
	DOE SKIN	DSK
	OYSTER	OYS
	RED	RED
1981	CHARCOAL	CHL
	CAMEL	CAM
	DARK RED	DRD
	DARK BLUE	DBL
	MEDIUM RED	MRE
	SILVER	SIL
1982	CAMEL	CAM
	CHARCOAL	CHR
	COLLECTOR EDITION	COL
	DARK BLUE	DBL
	DARK RED	DRE
	SILVER GREEN	SGN
	SLATE GRAY	SGY



1968-76 CONSOLE / DASH



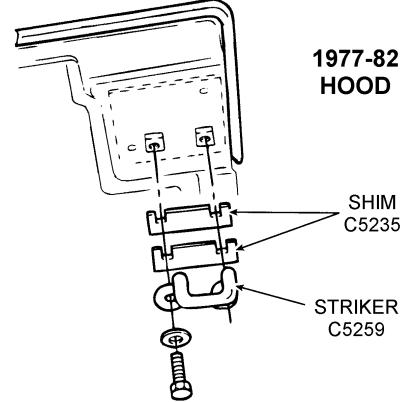
C5236	76-77	INSULATOR/MAT - hood, not molded	21.60
C5200	78-79	INSULATOR/MAT - hood, not molded	21.95
C5275	77-82	LATCH SET - on hood, chrome, w/chrome bolts, washers & shims	74.95
C5276	77-82	LIGHT - engine compartment, chrome	43.15
C5266	68-69	LOCK/LATCH - hood, on cowl, LH, used	42.50
C5267	68-69	LOCK/LATCH - hood, on cowl, RH, used	42.50
C5268	70-76	LOCK/LATCH - hood, on cowl, LH	34.95
C5269	70-76	LOCK/LATCH - hood, on cowl, RH	34.95
C7986	68-72	MOUNT KIT - hood grille, 427/454/LT1, (4 pc.)	2.25
C7985	73-75	NUT SET - hood grille, (6 pc.)	2.75
B5207	68-71	PIN - hood support, prevents hood from closing in wind	8.10
C5223	68-76	PIN - male hood lock assembly	22.65
C5221	68-76	PIN ASSEMBLY - male hood lock	41.75
C5213	68-82	PLUG SET - hood release cable, (pr)	2.15

NOTE: C5213 can be removed for manual hood release.

C5204	68-82	REINFORCEMENT - hood hinge/radiator support reinforcement, LH	72.45
C5205	68-82	REINFORCEMENT - hood hinge/radiator support reinforcement, RH	72.45
C5294	69-82	REINFORCEMENT PLATE - on upper hood ledge	3.45
A5217	68-71	REPAIR KIT - hood support, semi-tubular rivet & spring washer	5.00
C5238	68-79	RETAINER - hood insulator, metal, w/hole, slides over plastic retainer	3.85

A5114	68-76	RETAINER - male hood lock pin spring	3.45
C5216	68-80	RETAINER - cable w/screw & convertible front latch cable brass stop w/screw, brass, (ea)	CALL
C5240	73-79	RETAINER SET - hood insulator, chrome, (10 pc.)	71.45
B5236	68-80	RETAINER/GUIDE - hood cable, w/one screw, (pr)	3.45
A5118	68-76	SEAT - male hood lock spring	7.25

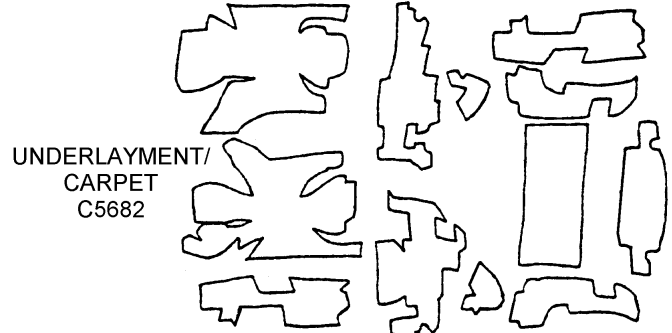
1977-82 HOOD



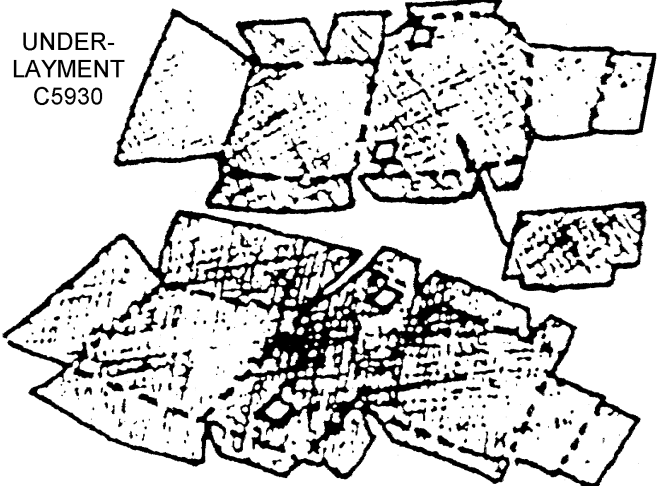
NOTE: Hood insulator retainers requirements vary: 69 use 3, 73-75 use 11, 76-77 use 8, 78-79 use 6.

B5224	68-82	SHIM - hood hinge, 1/16" thick, (ea)	3.10
C5235	77-82	SHIM - hood latch striker	2.60
C3735	73-75	SOLENOID - hood air intake door	44.95
C5212	68-76	SPRING - female hood latch, (ea)	10.15
C5217	68-76	SPRING - male hood lock pin	7.50
C5219	77-82	SPRING - hood latch pop-up	8.95
C5263	68-76	SPRING - male hood lock, torsion, LH	6.00
C5274	77-82	SPRING SET - hood pump, chrome, (pr)	32.95
C2438	70E	STENCIL (hood paint) & DECAL KIT - LT1, (black)	120.40
C2440	70L-72	STENCIL (hood paint) & DECAL KIT - LT1, (white)	120.40
C5259	77-82	STRIKER - latch, on hood	26.70
C5299	68-79	STUD/PIN - hood insulator retainer, plastic, (glue to hood) (ea)	1.80
C5270	68-71	SUPPORT - hood, chromed	257.90
C5271	72-76	SUPPORT - hood, chromed	164.95
C5272	77-82	SUPPORT - hood, chromed	164.95
C8654	68-74	SWITCH - hood alarm warning	9.95
C8658	75-82	SWITCH - hood alarm warning	9.95
C5265	77-82	SWITCH KIT - under hood lamp, on/off	23.75
C2994	78-82	TIE STRAP - top shield to hood cable, (2 req.) (ea)	1.50

C5871	78-82	SHIELD SET - heat, under carpet front & rear, ceramic/nylon, virtually eliminates heat from engine & exhaust, (7 pc.)	149.95
-------	-------	---	--------



C5682	68-72	UNDERLAYMENT/CARPET - jute w/correct rubber backing/Serrated, (12 pc.) state year	109.95
-------	-------	---	--------

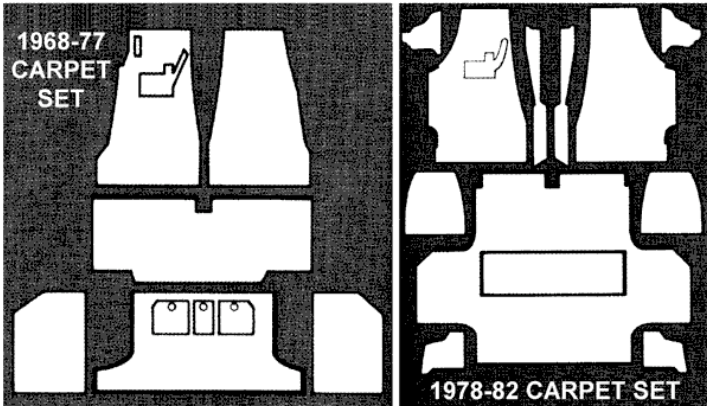


C5930	75-79	UNDERLAYMENT/CARPET - front, correct, (4 pc.)	96.60
-------	-------	---	-------

INTERIOR - CARPET, CONSOLE, DASH & TRIM, DOOR PANELS, DYE, FIREWALL, SEATS & MORE

Carpet Sets

C5624	68-76	CARPET - front only, 80/20	179.95
C5628	78-82	CARPET - front only, cut pile, (exc. Collectors edition)	299.95



C5623	68-76	CARPET SET - 80/20, front & rear	284.95
C5625	70-77	CARPET SET - cut pile, deluxe interior, front & rear	264.95
C5626	70-77	CARPET SET - cut pile, front only, deluxe interior	179.95
C5627	78-82	CARPET SET - cut pile, front & rear, (exc. Collector edition)	354.95
C5765	82	CARPET SET - collector edition, front & rear	396.50
C5694	68-82	FASTENER SET - carpet, (9 pc.)	354.95
A5667	68-76	GROMMET - dimmer switch, correct, rubber	11.00
C5634	68-77	GROMMET SET - carpet, 4 short, carpet to firewall & 3 long rear enter & installation tool	33.65
C5775	68-82	PADDING SET - sound deadening underlayment, front, 3/16" thick rubber based, reduces road noise & heat	98.35
C5617	68-71	PADDING SET - sound deadening underlayment, rear, 3/16" thick rubber based, reduces noise & heat	167.80
C5633	68-82	PADDING SET - sound deadening, underlay, front, tar membrane, reduces road noise & heat	79.95
C5658	68-71	PLUG KIT - floor plan	7.95
C5659	72-75	PLUG KIT - floor plan	9.70
C5590	77-82	PLUG KIT - floor pan 6 large & 2 small / 8pc	24.95
C5773	68-76	SHIELD SET - heat, under carpet front, ceramic/nylon, virtually eliminates radiant heat from engine & exhaust, (6 pc.)	112.95
C5800	68-77	SHIELD SET - heat, under carpet front & rear, ceramic/nylon, virtually eliminates heat from engine & exhaust, (7 pc.)	159.95
C5774	77-82	SHIELD SET - heat, under carpet front, ceramic/nylon, virtually eliminates radiant heat from engine & exhaust, (6 pc.)	112.95

Center Arm Rest Cushion - T-Shaped

C5661	68	ARM REST - vinyl, (specify color)	49.95
C5663	68-71	ARM REST - leather, (specify color)	54.95
C5662	69-75	ARM REST - vinyl, (specify color)	49.95
C5664	72-78	ARM REST - leather, (specify color)	42.25
C5666	77-78	ARM REST - leather and fabric, (specify color)	79.95
C5667	79	ARM REST - leather and fabric, (specify color)	79.95
C5668	80	ARM REST - leather and fabric, (specify color)	79.95
C5665	79-82	ARM REST - leather, except 82 collector, (specify color)	54.95
C5669	81-82	ARM REST - leather and fabric, except 82 collector, (specify color)	79.95
C5770	82	ARM REST - leather, collector edition, (specify color)	79.95

ORDER BY PHONE:

1-800-872-2446

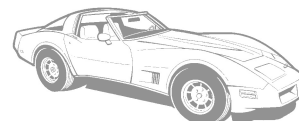


ORDER BY FAX:

708-458-2662

TECHNICAL QUESTIONS:

708-458-2500



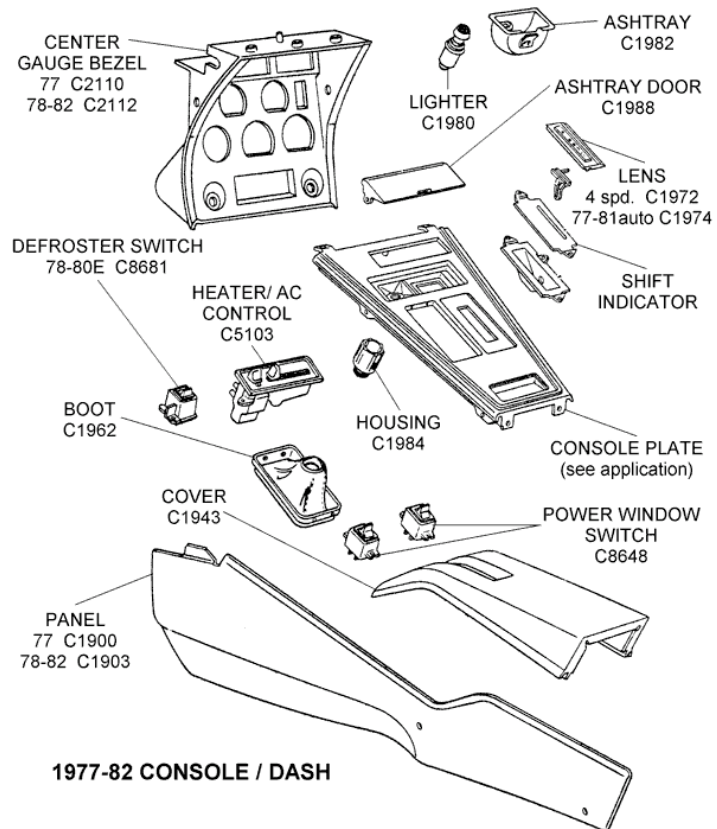
CUSTOMER SERVICE:

708-458-6577

QUESTIONS ABOUT YOUR ORDER:

708-458-2500

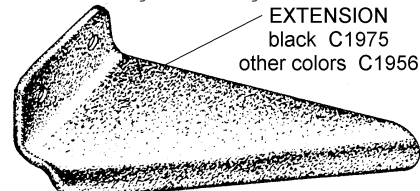
Console



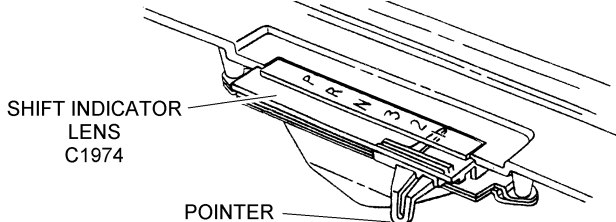
1977-82 CONSOLE / DASH

B1912	68-79	ASHTRAY	13.00
C1982	77-82	ASHTRAY - w/courtesy lamp lens	13.45
C4271	68	BEZEL - center gauge and clock surround, smooth finish w/wiper override	309.00
C2105	68	BEZEL - center gauge and clock surround, smooth finish w/o wiper override lens	309.00
C2102	69-71	BEZEL - center gauge & clock surround	155.20
C2108	72-76	BEZEL - center gauge & clock surround	110.95
C2110	77	BEZEL - center gauge & clock surround	90.35
C8763	81-82	BEZEL - center gauge surround w/o clock, (clock in radio)	149.95
C2112	78-82	BEZEL - center gauge & clock surround, w/o CB	99.00
C8764	82	BEZEL - center gauge & oil temp w/ CB Clock in radio, Collector Edition finish	149.95
C8765	82	BEZEL - center gauge & clock surround w/o CB Collector Edition finish	149.95
C1938	68-76	BEZEL - parking brake console front 'T' filter	28.35
C1915	68-76	BOOT - manual shift, leather, (68-69 repl.) (specify color)	36.95
C1958	68-69	BOOT - shifter, 3 & 4 speed, rubber w/steel insert, (68 repl.)	36.95
C1960	70-76	BOOT - 3 & 4 speed shifter, black leather, as original	29.95
C1917	77-82	BOOT - 4 speed & automatic shifter, (specify color)	36.95
C1962	77-82	BOOT - 4 speed & automatic shifter, black leather as original	29.95
C7328	68-81	BOOT/SEAL - lower, 3 or 4 speed shifter, w/retainer	35.85
B2105	68-82	BOLT SET - radiator core support, (6 pc.)	5.25
C1991	68-69	CONSOLE - forward shift, hard plastic, black	144.95
C1955	70	CONSOLE - forward shift, hard plastic, black	144.95
C1993	71	CONSOLE - forward shift, hard plastic, black	144.95
C1957	72-76	CONSOLE - forward shift, hard plastic, black	144.95
NOTE: For C1902, C1904, C1906, C1908 Specify color.				
C1902	68-69	CONSOLE - forward shift, padded as original, (specify color)	169.95
C1904	70	CONSOLE - forward shift, padded as original, (specify color)	169.95
C1906	71	CONSOLE - forward shift, padded as original, (specify color)	169.95
C1908	72-76	CONSOLE - forward shift, padded as original, (specify color)	169.95
C1981	68	CONSOLE - parking brake w/power windows, (specify color)	139.95

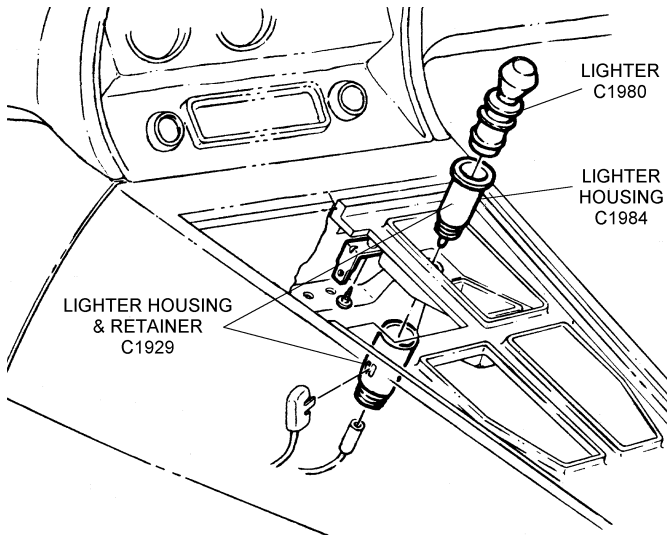
C1983	68	CONSOLE - parking brake w/o power window, (specify color)	99.00
C1918	68	CONSOLE - parking brake w/power windows, specify color	114.95
C1920	68	CONSOLE - parking brake w/o power windows, specify color	89.95
C1961	69-76	CONSOLE - parking brake w/power window, (specify color)	63.80
C1963	69-76	CONSOLE - parking brake w/o power window, (specify color)	59.95
C1926	69-76	CONSOLE - parking brake w/power windows, (black)	59.95
C1924	68-76	CONSOLE - parking brake w/o power windows, (black)	39.95
C1943	77-82	COVER - parking brake	39.95
C1945	77-82	CONSOLE COVER - parking brake, (specify color)	35.95
C8694	68-82	CONTROL ASSEMBLY - heater on console, w/ or w/o AC restoration	199.95
C5103	77-82	CONTROL ASSEMBLY - (console) heater & AC	116.40
C1988	77-82	DOOR - ashtray	73.25
B2171	68-82	ELEMENT - cigarette lighter	11.85



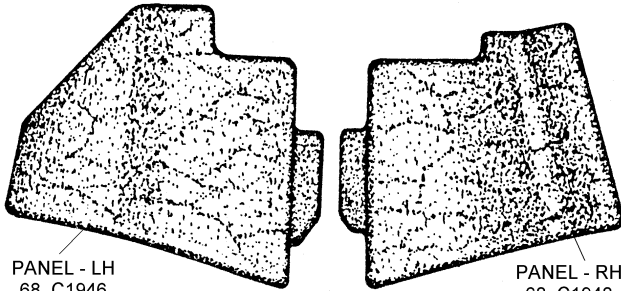
C1975	68-75	EXTENSION - forward console side trim, convertible w/AC, black	49.95
C1956	68-75	EXTENSION - forward console side trim, convertible w/air conditioning, (specify color)	54.95
C1990	68-76	GLIDE/SLIDE KIT - ashtray door, (pr)	8.30
C1302	68-82	HANDLE/LEVER ASSEMBLY - parking brake, rubber covered	124.95
C1930	68-76	HARDWARE KIT - parking brake console, front & rear reinforcement, front bezel, slider	72.40
C1928	68-76	HARDWARE KIT - parking brake, includes screws & nuts to install parking brake console	6.25
C1984	68-82	HOUSING - cigarette lighter, female, in console	14.85
B2166	68-82	HOUSING & RETAINER KIT - cigarette lighter, in console, (2 pc.)	16.00
C1970	68-76	INDICATOR PLATE - 4 speed shifter	16.05
C7313	77-81	INDICATOR PLATE - 4 speed shifter	15.95
C1964	68-69E	INDICATOR PLATE - auto shift, black plastic, raised chromed letters	7.95
C5802	70-71	INSERT - console, wood grain, w/AC	23.95
C5801	70-71	INSERT - console, wood grain, w/o AC	23.95
C1996	72-76	INSERT - shifter console plate, w/AC, wood grain	21.95
C1995	72-76	INSERT - console, wood grain, w/o AC	21.95
C2114	68-76	KNOB - air vent outlet, (chrome)	2.45
C1953	69L-76	KNOB - air vent control, (w/o AC)	7.25
C1951	68-69E	KNOB SET - vent, w/o AC, (pr)	16.85
C5111	68	LENS - heater/AC selector control, w/AC	14.45
C5109	68	LENS - heater selector control, w/o AC	14.45
C1916	68-71	LENS SET - fiber optic in dash front and rear, (pr)	20.65
C1939	69-71	LENS - automatic shifter plate indicator, green letters	11.85
C5115	69-71	LENS - heater/AC selector control, w/AC	14.45
C5113	69-71	LENS - heater selector control, w/o AC	14.75
C5162	69L-71	LENS - automatic shifter (green) indicator	11.00
C1966	72-76	LENS - automatic shift indicator, blue letters	11.65
C5117	72-75	LENS - heater/AC selector control	18.45
C5116	72-75	LENS - heater selector control, w/o AC	15.50



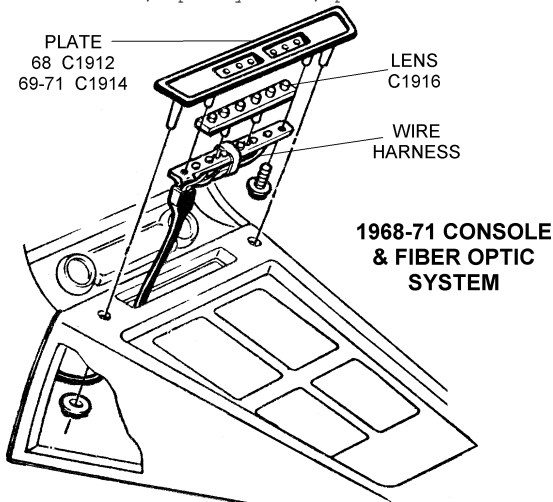
C1974	77-81	LENS - automatic shift indicator	15.15
C1947	77-81	LENS - center gauge cluster, all small gauges	23.75
C4276	77-82	LENS - heater/AC selector control, (clear)	22.95
C5107	77-82	LEVER - heater/AC selector control	13.25
C5102	77-82	LENS - ashtray	2.40
C1977	82	LENS - automatic shift indicator	22.35



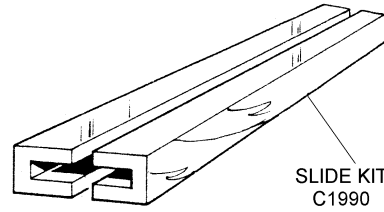
- C1980 68-82 LIGHTER11.15
- C3472 68-72 MOUNT KIT - parking brake console, (20 pc.) ..6.00
- C3430 68-82 NUT - center console & dash, anchor type, plastic2.65
- C4257 68-76 NUT - center gauge bezel, plastic anchor, (ea)1.00
- G5003 68-76 PAINT - semi-gloss black for 68-76 center gauge and shifter console (12 oz aerosol can) 6.50



- PANEL - LH 68 C1946 69-76 C1952
- C1946 68 PANEL - forward console side trim, LH50.45
- C1948 68 PANEL - forward console side trim, RH50.45
- C1952 69-76 PANEL - forward console side trim, LH, black33.55
- C1954 69-76 PANEL - forward console side trim, RH, black33.54
- C1944 68 PANEL SET - forward console side panels w/clips (pr) (specify color)69.95
- C1950 69-76 PANEL SET - forward console side panels, LH/RH (pr) (specify color)64.95
- C1900 77 PANEL SET - console side trim, vinyl covered, specify color, (pr)79.95
- C1903 78-81 PANEL SET - console side trim, vinyl covered, specify color, pr33.45
- C1959 82 PANEL SET - console side trim, vinyl covered, specify color, pr29.95

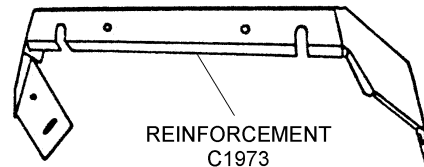


- C1912 68 PLATE - fiber optic trim23.75
- C1914 69-71 PLATE - fiber optic trim23.75
- C5118 77-82 PLATE - heater/AC control face17.25
- C1801 69 PLATE ASSEMBLY - shifter console, 4 speed w/air conditioning254.14

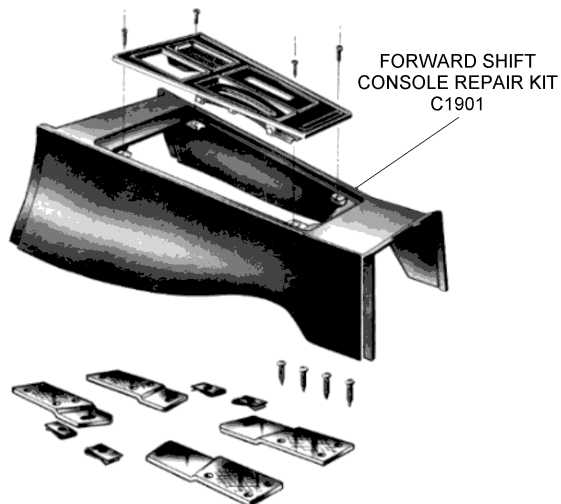


- C1802 69 PLATE ASSEMBLY - shifter console, 4 speed w/o air conditioning254.15
- C1803 69 PLATE ASSEMBLY - shifter console, auto w/air conditioning254.15
- C1804 69 PLATE ASSEMBLY - shifter console, auto w/o air conditioning254.15
- C1805 70-71 PLATE ASSEMBLY - shifter console, 4 speed w/air conditioning254.15
- C1806 70-71 PLATE ASSEMBLY - shifter console, 4 speed w/o air conditioning254.15
- C1807 70-71 PLATE ASSEMBLY - shifter console, auto w/air conditioning254.15
- C1808 70-71 PLATE ASSEMBLY - shifter console, auto w/o air conditioning254.15
- C1812 72-74 PLATE ASSEMBLY - shifter console, auto w/o AC, w/o shift indicator lines254.15
- C1809 72-76 PLATE ASSEMBLY - shifter console, 4 speed w/air conditioning254.15
- C1810 72-76 PLATE ASSEMBLY - shifter console, 4 speed w/o air conditioning254.15
- C1811 72-76 PLATE ASSEMBLY - shifter console, auto w/AC, w/o shift indicator lines254.15
- C1818 75-76 PLATE ASSEMBLY - shifter console, auto, w/PW, w/shift indicator lines254.15
- C1819 75-76 PLATE ASSEMBLY - shifter console, auto, w/o AC, w/shift indicator lines254.15
- C1967 77-82 PLATE ASSEMBLY - shifter console, auto trans, (no cut outs)52.95
- C1907 77-82 PLATE ASSEMBLY - shifter console, auto trans, w/power windows52.95
- C1909 77-80E PLATE ASSEMBLY - shifter console, w/PW & rear defrost52.95
- C1910 80L-81 PLATE ASSEMBLY - shifter console, w/PW & rear defrost52.95
- C4716 77-82 PLATE - manual, shift console w/power window72.25
- C4719 80L-82 PLATE - manual, shift console w/power windows, defroster & mirror72.25
- C4720 81-82 PLATE - manual, shift console w/power mirror & defroster72.25
- C4718 80L-82 PLATE - manual, shift console w/power windows & defroster72.25
- C4717 77-80E PLATE - manual, shift console w/power windows & defroster72.25
- C1913 81-82 PLATE ASSEMBLY - shifter console, w/PW & power mirror52.95
- C1911 81-82 PLATE ASSEMBLY - shifter console, w/PW, rear defrost & power mirrors52.95
- C1813 82 PLATE ASSEMBLY - Collectors Edition console plate, w/pw94.95
- C1799 82 PLATE ASSEMBLY - Collectors Edition console plate, w/pw & defroster104.95
- C1798 82 PLATE ASSEMBLY - Collectors Edition console plate, w/pw & defroster & power mirrors ...104.95
- C1797 82 PLATE ASSEMBLY - Collectors Edition console plate, w/pw & power mirrors104.95

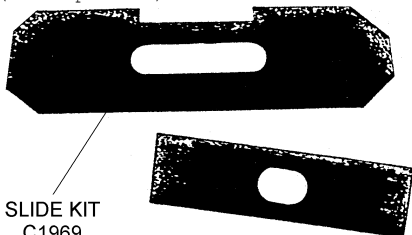
NOTE: All of our Shifter Console Plates are chrome plated and painted black with the original grain pattern. They come completely assembled with ash tray housing, cover and shaft indicator plates. Automatic has correct bulb housing and shifter seal. Your new shifter console assembly also comes with a mail-in coupon for a new correct data plate.



- C1973 68-76 REINFORCEMENT - front forward console18.10
- C1940 68-76 REINFORCEMENT - parking brake console front w/chrome trim ring39.95
- C1942 68-76 REINFORCEMENT - parking brake console rear mount23.75

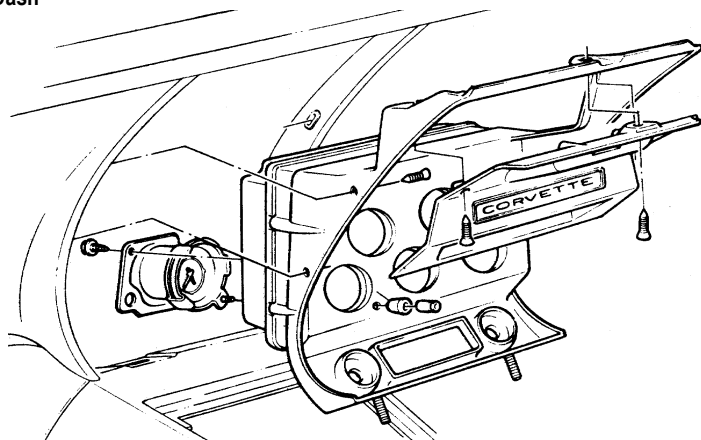


- C1901 68-76 REPAIR KIT - forward shift console, (for fixing mounting tabs)34.35
- NOTE:** Repair Kit C1901 includes aluminum hold-down brackets, "J" clips and new OEM style longer screws.
- C1905 68-76 RETAINER - ash tray and lighter, die cast, chrome plate56.70
- C1921 68-76 RETAINER/SPRING CLIP - ashtray console cover, keeps tray from idling open6.50
- C3403 68-73 SCREW SET - shifter console plate, (4 pc.) ...2.75
- C3467 68-76 SCREW SET - radio side panel, (4 pc.)3.35
- C3404 68-76 SCREW SET - shifter boot, (4 pc.)2.95
- C3401 68-76 SCREW SET - parking brake console, (4 pc.) ...2.65
- C3402 68-76 SCREW SET - center gauge console, (9 pc.)1.95
- C5380 77-82 SCREW SET - console side trim panels, (4 pc.)2.95
- C3466 77-82 SCREW SET - shifter boot, (4 pc.)2.95
- B1950 68-76 SLIDER - around parking brake handle, (black plastic)4.95



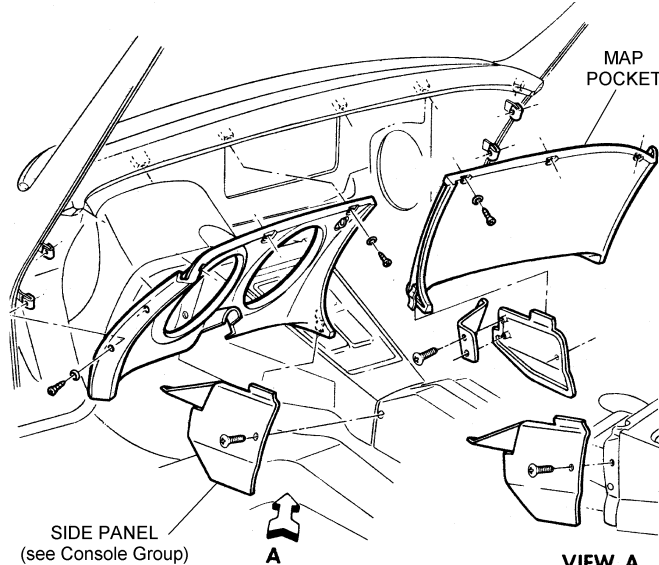
- C1969 68-76 SLIDE (SEAL) KIT - automatic shift, upper & lower, black plastic, (pr)12.75

Dash

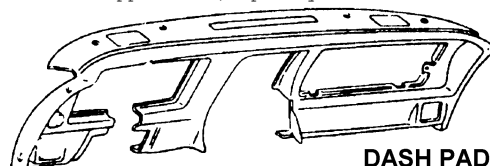


- G0007 68-82 ADHESIVE - trim, carpet, dash pad, (10 oz spray can)18.25
- C5900 68-69 CAP - dash, molded plastic, fits over existing dash139.95
- C5901 70-76 CAP - dash, molded plastic, fits over existing dash139.95
- C7182 77 CAP - dash, molded plastic, fits over existing dash139.95
- C5903 78-82 CAP - dash, molded plastic, fits over existing dash159.95
- C5893 68 COVER - lower steering column, (specify color)69.95
- C5894 69-77 COVER - lower steering column, (specify color)59.95
- C7110 78-82 GRILLE - radio speaker on dash, LH28.95

- C7111 78-82 GRILLE - radio speaker on dash, RH28.95
- C5802 70-71 INSERT - console, wood grain, w/AC23.95
- C5801 70-71 INSERT - console, wood grain, w/o AC23.95
- C1996 72-76 INSERT - shifter console plate, w/AC, wood grain21.95
- C1995 72-76 INSERT - console, wood grain, w/o AC21.95



- C5632 69-77 MAP POCKET - specify color80.95
- C5697 68-69 PAD - upper dash, specify color319.95
- C5698 70-76 PAD - upper dash, specify color369.95
- C5691 77 PAD - upper dash, black369.95
- C5699 77 PAD - upper dash, specify color369.95

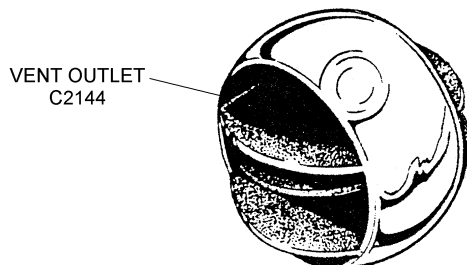


- C5806 78-82 PAD - dash assembly, specify color499.95
- C5361 68 PAD ASSEMBLY - lower dash, LH, specify color329.50
- C5362 68 PAD ASSEMBLY - lower dash, RH, specify color329.50
- C5363 69 PAD ASSEMBLY - lower dash, LH, specify color329.50
- C5364 69 PAD ASSEMBLY - lower dash, RH, specify color329.50
- C5365 70 PAD ASSEMBLY - lower dash, LH, specify color329.50
- C5366 70 PAD ASSEMBLY - lower dash, RH, specify color329.50
- C5367 71-76 PAD ASSEMBLY - lower dash, LH, 71-73 all, 74-76 w/o AC, specify color329.50
- C5369 71-76 PAD ASSEMBLY - lower dash, RH, specify color329.50
- C5368 74-76 PAD ASSEMBLY - lower dash, LH, w/AC, specify color329.50
- C5374 77 PAD ASSEMBLY - lower dash, LH, w/AC, specify color329.50
- C5375 77 PAD ASSEMBLY - lower dash, LH, w/o AC, specify color329.50
- C5379 77 PAD ASSEMBLY - lower dash, RH, specify color329.50
- C5979 69-77 SPRING SET - map pocket, (pr)7.95

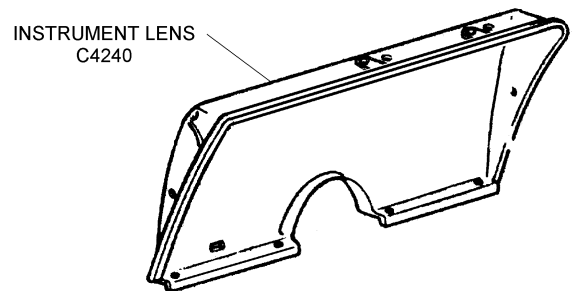
NOTE: When ordering dash components, always specify year and color.

Dash Trim

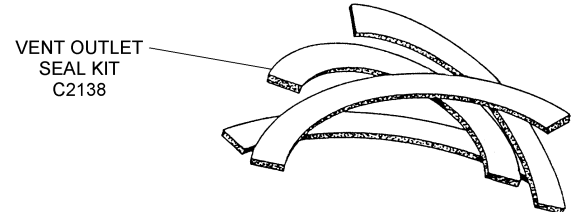
- C2144 68-76 BALL - vent outlet, lower outer area, in dash, chrome21.85
- C2137 68-76 BALL KIT - vent outlet, in dash w/seats, chrome, (pr)45.95



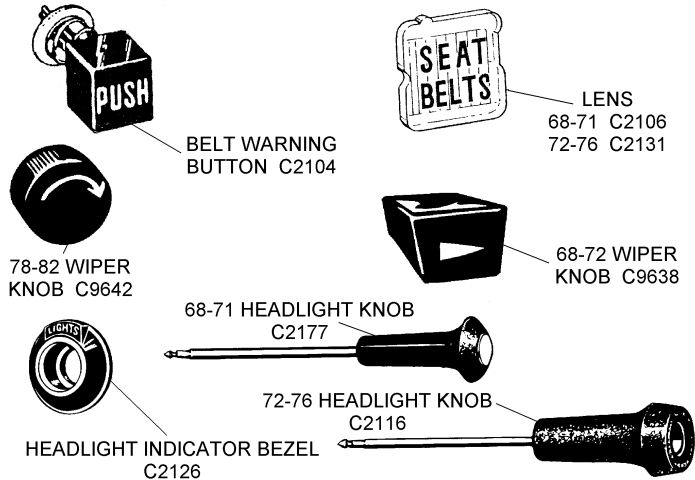
C2140	68	BEZEL/INDICATOR - ignition switch	19.10
C2105	68	BEZEL - center gauge and clock surround, smooth finish w/o wiper override lens	309.00
C4271	68	BEZEL - center gauge & clock surround, smooth finish w/wiper override	309.00
C2178	68-71,77BEZEL - headlight switch knob, on dash	18.10
C2102	69-71	BEZEL - center gauge & clock surround	155.20
C2108	72-76	BEZEL - center gauge & clock surround	110.95
C2110	77	BEZEL - center gauge & clock surround	90.35
C2112	78-82	BEZEL - center gauge & clock surround, w/o CB	99.00
C2101	82	BEZEL - center gauge & clock surround w/stereo	155.20
C2142	68	BEZEL - headlight switch indicator	19.05
C2126	69-77	BEZEL - headlight switch indicator	16.25
C2109	78-82	BEZEL - headlight switch indicator	7.00
C2104	68-71	BUTTON - push, seat belt warning w/spring ..	10.35
C4238	68-77	CABLE W/KNOB - trip odometer reset	62.95
C2175	75-82	DEFLECTOR - vent outlet, side air, (ea)	12.40
C2149	78-82	DUCT - air conditioning, square side duct on dash	23.95
C2146	77-82	DUCT - center air vent outlet grille deflector / black & chrome, all w/ac 2 required, each	13.50
B2171	68-82	ELEMENT - cigarette lighter	11.85
C2119	77-82	GRILLE - center air vent outlet, rectangular, (2 req) (ea)	12.95
C2107	68-77	GRILLE - defroster outlet on dash top	29.65



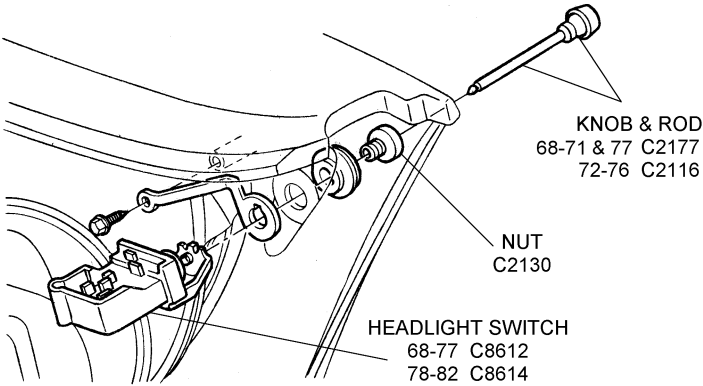
C4240	78-82	LENS - speedo/tach gauge lens, (ea)	60.50
C5635	68-79	LENS & BEZEL - glove box light, rear storage compartment	10.30
C2113	68	NUT - ignition switch, black	29.05
C2124	68	NUT - ignition switch nut, (chrome repl) ..	14.10
C2130	68-82	NUT - headlight switch	8.25
G5003	68-76	PAINT - center gauge & shifter console, semi-gloss black, 12 oz aerosol can	6.50
C3406	68-82	SCREW SET - dash pad to door jamb, w/washer, (4 pc.)	3.30



C2138	68-76	SEAL KIT - vent outlet balls in dash, (4 pc.)	6.55
C2148	68-77	SEAL KIT - deflector balls, circular, (pr) ..	4.50
A2115	68-79	SHIELD - cigarette lighter light bulb	11.40
C5851	68-79E	STORAGE COMPARTMENT ASSEMBLY - center ..	34.95
C8776	68-77E	SWITCH/LIGHT KIT - rear compartment w/bulb & harness	27.00
C8777	77L-82	SWITCH & LIGHT KIT - glove box w/terminal & bulb	10.75

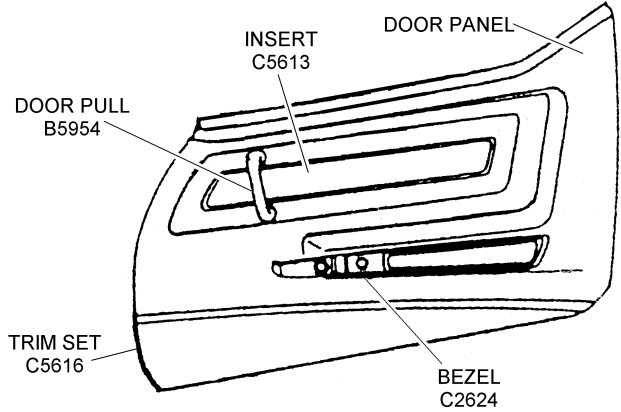


C1953	69L-76	KNOB - air vent control, (w/o AC)	7.25
B4252	68-77	KNOB - odometer reset	3.15
C2132	68-72	KNOB - wiper switch	6.40
C2134	73-77	KNOB - wiper switch	6.20
C9642	78-82	KNOB - wiper switch, (has arrow for delay) ..	14.90



C2177	68-71,77KNOB & ROD - headlight switch	18.10
C2116	72-76	KNOB & ROD - headlight switch	36.55
C4204	68-82	LENS - center gauge cluster, all small gauges	24.25
C2121	68-74	LENS - door ajar/headlight warning, (72-74 repl.)	8.75
C2191	77-79	LENS - generator/low warning	7.80
C2131	72-76	LENS - seat belt warning	6.65

Door Panels & Trim



C5681	78-82	ARM REST SET - door, pr/specify color	129.95
C5621	78-82	ARM REST SET- door, LH & RH / black	129.95
C2624	68-77	BEZEL SET - inside door handle, (pr)	68.95
C5927	78-82	BEZEL SET - inside door release handle, specify color, (pr)	29.95
C5614	68-77	CLIP - door panel metal, (4 req.) (ea)	4.05
A5926	68-82	CLIP SET - window crank & lock knob retaining, (4 pc.)	1.85
C5620	70-76	CONVERSION KIT - standard to deluxe door panel conversion kit including wood grain w/metal inserts, carpet w/chrome strip	275.00
C5911	68-77	COVER - window crank spacer, specify color ..	13.35
C2351	68-77	EMBLEM SET - inside door handle, (pr)	8.95



C5615	68-82	FASTENER/VELCRO - door panel, nylon, (pr) ...	3.95
C5918	68-77	HANDLE - inside door release, LH	20.95
C5919	68-77	HANDLE - inside door release, RH	20.95
C5929	68-77	HANDLE ASSEMBLY - window crank, black knob, (ea)	9.95
B5986	68-79	HANDLE ASSEMBLY - window crank, clear knob, (ea)	9.95
C5613	70-76	INSERT SET - door panel wood grain, (pr)	21.95
B2662	68-77	KNOB - door release, chrome, 1 per door	15.55

Quality - Service - Price
We have it all. Give us a call.

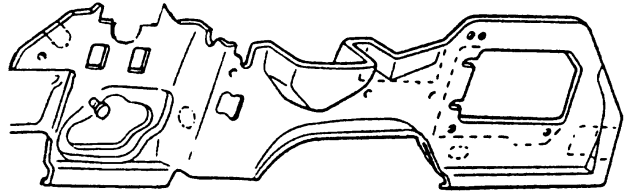
C2650 68	KNOB - window crank w/retainer, available in med. red, med. blue, off-white, med. brown or light saddle, (specify color) (pr)8.95
C5912 68-77	KNOB - door lock13.80
C9087 78-82	KNOB - door lock5.75
C9088 68-79	KNOB - window crank w/retainer, (black)3.10
C5980 70-77	MOLDING - deluxe door panel above carpet, chrome, LH66.30
C5981 70-77	MOLDING - deluxe door panel above carpet, chrome, RH66.30
C5601 68	PANEL - door, w/o trim, LH, (ea)239.95
C5693 68	PANEL - door, w/o trim, RH, (ea)239.95
C5602 68	PANEL - door, w/trim (w/o upper chrome trim strip), LH, (ea)349.95
C5747 68	PANEL - door, w/trim (w/o upper chrome trim strip), RH, (ea)349.95
C5604 69	PANEL - door, w/comfort weave inst. w/o trim, LH, (ea)249.95
C5700 69	PANEL - door, w/comfort weave inst., w/o trim, RH, (ea)249.95
C5605 69	PANEL - door, complete w/trim, LH339.95
C5695 69	PANEL - door, complete w/trim, RH339.95

1969 Door Panels are manufactured w/improved ABS backing. Window felts installed.

C5607 70-77	PANEL - door, standard, w/o trim, LH, (ea) .229.95
C5673 70-77	PANEL - door, standard, w/o trim, RH, (ea) .229.95
C5608 70-76	PANEL - door, standard, w/trim, LH, (ea) .319.95
C5677 70-76	PANEL - door, standard, w/trim, RH, (ea) .319.95
C5609 70-76	PANEL - door, deluxe, w/trim, LH, (ea)419.95
C5686 70-76	PANEL - door, deluxe, w/trim, RH, (ea)419.95
C5610 77	PANEL - door, deluxe, w/trim, LH, (ea)460.35
C5687 77	PANEL - door, deluxe, w/trim, RH, (ea)460.35
C5619 78-82	PANEL - door, LH, (except 82 collectors edition)269.95
C5689 78-82	PANEL - door, RH, (except 82 collector edition)269.95
C5696 82	PANEL SET - door, collector edition, (pr) .819.95

C3463 78-82	FASTENER KIT - interior/see chart for details30.95
-------------	--

Firewall Insulation / Sound Deadener



FIREWALL INSULATION

Specify horsepower & transmission when ordering.

A5828 68-82	FASTENER KIT - firewall insulation, (repl.) (12 pc.)24.65
C5785 68	INSULATION - firewall189.95
C5791 69	INSULATION - firewall189.95
C5792 70-72	INSULATION - firewall189.95
C5793 73	INSULATION - firewall189.95
C5794 74	INSULATION - firewall189.95
C5790 75	INSULATION - firewall189.95
C5749 76-82	INSULATION - firewall189.95
C8714 68-69	INSULATION - under body blanket, LH32.50
C8712 68-69	INSULATION - under body blanket, RH32.50
C8796 68-69	INSULATION SET - under body blankets, pr ...59.95
A5840 68-82	TOOL - firewall insulation fasteners/plug insulation7.35

Floor Mats

C5728 68-82	MAT SET - black rubber, (pr)25.90
C5727 68-82	MAT SET - clear rubber, (pr)65.90
C5730 68-82	MAT SET - cut pile carpet w/corvette logo, specify color, (pr)55.10
C5729 68-82	MAT SET - 80/20 carpet w/corvette logo, specify color, (pr)58.55

Glove Box - 1978-82

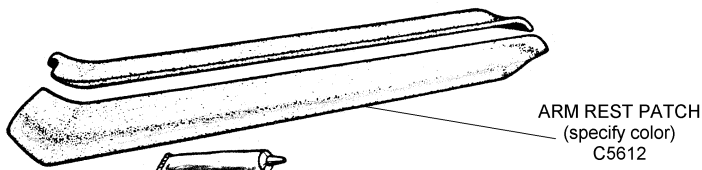
B2143 78-82	SWITCH & BULB KIT - glove box light, w/terminal22.50
C6077 78-82	COVER - glove box door, specify color39.00
C6112 78-82	LOCK & KEY - glove box24.95
C6079 78-82	STRICKER - glove box lock, pre-owned20.00

Hard Top

C5984 68-75	HEADLINER SET- hard top, (3 pc.)449.95
-------------	--

Interior Kits

C5950 68	INTERIOR PACKAGE/STANDARD - VINYL/carpet, door panels w/o trim & vinyl seat covers .1,019.00
C5952 68	INTERIOR PACKAGE/DELUXE - LEATHER/carpet, door panels w/o trim & leather seat covers 1,289.00
C5951 69	INTERIOR PACKAGE/STANDARD - VINYL/carpet, door panels w/o trim & vinyl seat covers .1,019.00
C5953 69	INTERIOR PACKAGE/DELUXE - LEATHER/carpet, door panels w/o trim & leather seat covers 1,289.00
C5954 70-74	INTERIOR PACKAGE/STANDARD - VINYLE/carpet, door panels w/o trim & vinyl seat covers ...999.00
C5957 70-71	INTERIOR PACKAGE/DELUXE - LEATHER / carpet, door panels w/o trim & leather seat covers 1,099.00
C5963 70-71	INTERIOR PACKAGE/SUPER DELUXE - LEATHER / carpet, door panels w/trim & leather seat covers .1,499.00
C5964 72	INTERIOR PACKAGE/DELUXE - LEATHER / carpet, door panels w/o trim & leather seat covers 1,099.00
C5972 72	INTERIOR PACKAGE/SUPER DELUXE - LEATHER / carpet, door panels w/trim & leather seat covers .1,499.00
C5965 73-74	INTERIOR PACKAGE/DELUXE - LEATHER / carpet, door panels w/o trim & leather seat covers 1,099.00
C5973 73-74	INTERIOR PACKAGE/SUPER DELUXE - LEATHER / carpet, door panels w/trim & leather seat covers .1,449.00
C5955 75	INTERIOR PACKAGE/STANDARD - VINYLE/carpet, door panels w/o trim & vinyl seat covers ...999.00
C5960 75	INTERIOR PACKAGE/DELUXE - LEATHER / carpet, door panels w/o trim & leather seat covers 1,099.00
C5966 75	INTERIOR PACKAGE/SUPER DELUXE - LEATHER / carpet, door panels w/trim & leather seat covers .1,449.00
C5956 76	INTERIOR PACKAGE/STANDARD - VINYLE/carpet, door panels w/o trim & vinyl seat covers .1,099.00
C5961 76	INTERIOR PACKAGE/DELUXE - LEATHER / carpet, door panels w/o trim & leather seat covers .999.00



ARM REST PATCH (specify color) C5612

C5612 68-77	PATCH KIT - armrest, (specify color) (pr)48.75
C5946 70-76	PLATE - deluxe door panel insert, w/wood grain panel, LH112.15
C5947 70-76	PLATE - deluxe door panel insert, w/wood grain panel, RH112.15
C5948 77	PLATE - deluxe door panel insert, w/black panel, LH112.15
C5949 77	PLATE - deluxe door panel insert, w/black panel, RH112.15
C5945 68L	PULL - door handle/horizontal28.95
B5954 69-77	PULL SET - inside door handle, (specify color) (pr)18.95
A5988 68-82	REPAIR KIT - door panel mount holes in door .28.60
C5622 78-82	REPAIR KIT - armrests, (repairs 1 pair)12.90
C3442 68-76	SCREW SET - door panel clips, (4 pc.)3.60
B3459 68-77	SCREW SET - inside door pulls, (4 pc.)5.25
C5481 68-77	SCREW SET - inside door release handle, (4 pc.)2.65
C5587 68-82	SCREW SET - door panels, w/washers, upper corners 8 pc.5.25
C5357 78-82	SCREW SET - inside door release handle bezel, (2 pc.)1.95
C5358 78-82	SCREW SET - arm rest, (6 pc.)4.95
C5588 78-82	SCREW SET - door panel, w/washers, 12 pc.3.95
C2630 68	SEAL SET - inner window, (pr)53.25
C2632 69-82	SEAL SET - inner window, (pr)46.95
A5916 68-77	SPACER - door lock knob, plastic2.95
C9086 68-77	SPACER - vinyl covered, between window crank & door panel, black31.75
C5910 68-77	SPACER - vinyl covered, between window crank & door panel, Specify color, (ea)23.25
A5922 68-77	SPACER/BEARING - window crank, plastic3.15
C8693 78-82	SWITCH - power door lock37.95
A5959 68-82	TOOL - window crank and door lock knob removal5.65
C5982 68-77	TRIM - 'U' style, door panel armrest, LH ...69.95
C5983 68-77	TRIM - 'U' style, door panel armrest, RH ...69.95
C5616 70-77	TRIM SET - deluxe door panel carpet/vinyl, (pr)25.35
B5549 68-77	WASHER - inside door lock knob1.25

Fastner Kits-Interior

C3400 68-76	FASTENER KIT - interior/see chart for details30.95
C3408 77	FASTENER KIT - interior/see chart for details30.95

C5745 76	INTERIOR PACKAGE/SUPER DELUXE - LEATHER / carpet, door panels w/trim & leather seat covers1,449.00
C5962 77	INTERIOR PACKAGE - LEATHER / carpet, door panels w/o trim & leather seat covers1,095.00
C5968 77	INTERIOR PACKAGE/SUPER DELUXE - LEATHER / carpet, door panels w/trim & leather seat covers1,449.00
C5969 78	INTERIOR PACKAGE/DELUXE - LEATHER / carpet, door panels w/o trim & leather seat covers - except Pace Car1,329.00
C5970 78	INTERIOR PACKAGE/DELUXE - LEATHER / carpet, door panels w/o trim & leather seat covers - Pace Car1,249.00
C5971 79-82	INTERIOR PACKAGE/DELUXE - LEATHER / carpet, door panels w/o trim & leather seat covers - except Collector's Edition1,249.00

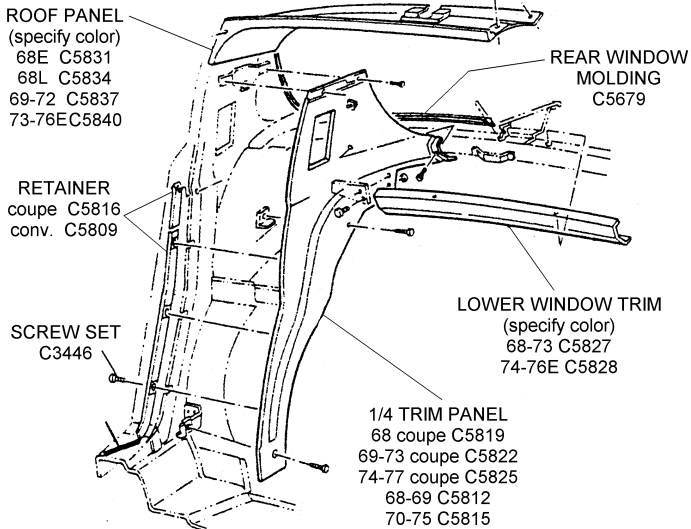
Lights, Lenses, Adhesives & Other

G0007 68-82	ADHESIVE - trim, carpet, dash pad (19 oz spray can)18.25
G0005 68-82	ADHESIVE - trim, carpet, dash pad, door panel & dash skins, quart, brush-on17.95
C5685 69-71	CLIP - rear window storage door, coupe20.20
B5875 69-73	DOME LIGHT ASSEMBLY - housing, lens & socket44.85
C9085 78-82	HOOK - coat5.95
C8742 68	LENS - dome light, rear quarter trim panel29.95
B5834 69-73	LENS - dome light6.90
C5678 74-82	LENS - dome light3.75
C5676 68-82	LIGHT - courtesy, (mounts on kick panel)30.75
C1912 68	PLATE - fiber optic trim23.75
C1914 69-71	PLATE - fiber optic trim23.75

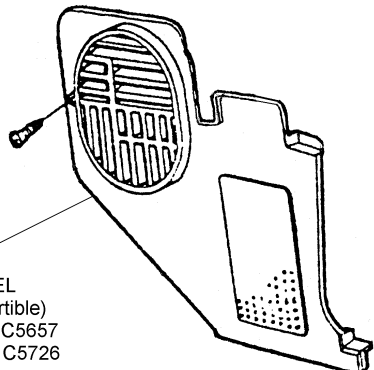
Paint & Dye - Interior

A5664 68-82	DYE - vinyl, aerosol, (specify color)20.70
A5666 68-82	DYE - vinyl, quart, (specify color)79.30
A5668 68-82	PRIMER - to use vinyl dye on plastic parts20.45
A5669 68-82	PRIMER - to use vinyl dye on metal parts7.50

Panels - Coupe Interior

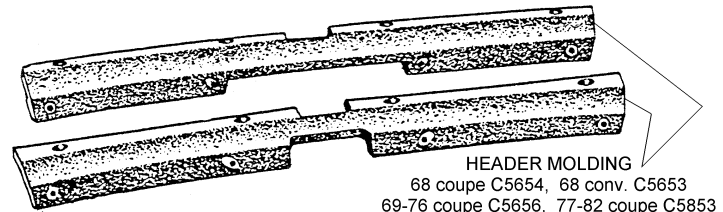


C5823 74-77	PANEL - coupe, rear quarter trim, LH168.90
C3693 68-73	EXTENSION - coupe, rear quarter trim, painted, (pr)89.95
C3694 74-77	EXTENSION - coupe, rear quarter trim, painted, (pr)99.95

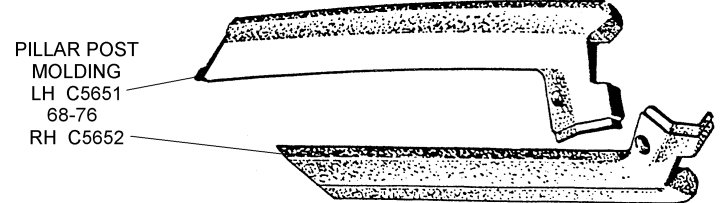


C5657 68-77	KICK PANEL - plastic, LH, black49.95
-------------	--

C5726 68-77	KICK PANEL - plastic, RH, black49.95
C5898 68-77	KICK PANEL SET - specify year & color119.95
C5654 68	MOULDING - header, coupe, front, padded as original, specify color64.95
C5656 69-76	MOULDING - header, coupe, front, padded as original, specify color64.95



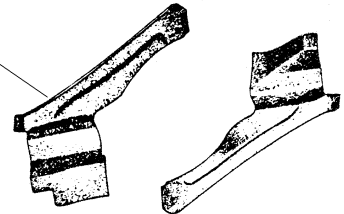
C5853 77-82	MOULDING - header, coupe, front, (specify color)69.95
-------------	---



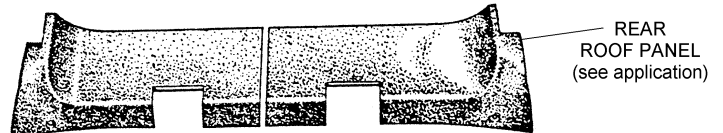
C5651 68-76	MOULDING - pillar post trim, padded, LH, (specify color)59.95
C5652 68-76	MOULDING - pillar post trim, padded, RH, (specify color)59.95
C5679 73-77	MOLDING/FRAME - inside rear window, paint as required75.55
C5899 77-82	MOLDING SET - pillar post trim, (specify color & year) (pr)129.95
C5994 68-76E	PANEL - center, between T-tops229.95
C5995 76L-77	PANEL - center, between T-tops229.95
C5996 78-82	PANEL - center, between T-tops249.95

QUARTER TRIM PANELS

68 coupe C5817, 68-69 conv LH C5810, 69-69 conv RH C5811



C5817 68	PANEL - coupe, rear quarter trim, LH168.90
C5818 68	PANEL - coupe, rear quarter trim, RH168.90
C5803 68	PANEL - coupe, rear quarter trim, LH, (unpainted)139.95
C5804 68	PANEL - coupe, rear quarter trim, RH, (unpainted)139.95
C5864 69-73	PANEL - coupe, rear quarter trim, LH, (specify color)168.90
C5865 69-73	PANEL - coupe, rear quarter trim, RH, (specify color)168.90
C5820 69-73	PANEL - coupe, rear quarter trim, unpainted, LH139.95
C5821 69-73	PANEL - coupe, rear quarter trim, unpainted, RH139.95
C5824 74-77	PANEL - coupe, rear quarter trim, RH168.90
C5876 74-77	PANEL - coupe, rear quarter trim, LH, (unpainted)139.95
C5877 74-77	PANEL - coupe, rear quarter trim, RH, (unpainted)139.95
C5819 68	PANEL SET - coupe, rear quarter trim, specify color, pr269.95
C5850 68	PANEL SET - coupe, rear quarter trim, unpainted pr235.30
C5822 69-73	PANEL SET - coupe, rear quarter trim, specify color, pr269.95
C5825 74-77	PANEL SET - coupe, rear quarter trim, specify color, pr269.95
C5885 74-77	PANEL SET - coupe, rear quarter trim, unpainted, pr229.95



C5831 68E	PANEL SET - coupe, rear roof, specify color, pr149.95
C5834 68L	PANEL SET - coupe, rear roof, specify color, pr149.95
C5837 69-72	PANEL SET - coupe, rear roof, specify color, pr149.95
C5838 73-76E	PANEL SET - coupe, rear roof, black, pr129.95

C5839	73-76E	PANEL SET - coupe, rear roof, specify color, pr	149.95
C5985	76L-77	PANEL SET - coupe, rear roof, specify color, pr	149.95
C5920	76L-77	PANEL SET - rear roof, coupe, (unpainted)	129.95
C5840	73-76E	PANEL SET - coupe, rear roof, specify color, pr	149.95
C5471	76L-77	PANEL SET - coupe, rear roof, specify color, pr	79.95
C5472	78-79	PANEL SET - coupe, rear roof, specify color, pr	149.95
C5473	80-82	PANEL SET - coupe, rear roof, specify color, pr	199.95
C5926	68-77	REPAIR KIT - rear quarter trim panel thread, includes: inserts screws & epoxy	27.70

NOTE: The screws in C5926 are 100% correct & allow you to avoid replacing quarter panel trim.

C5816	68-77	RETAINER KIT - coupe, rear quarter, (4 pc.)	39.95
C5356	68-82	SCREW SET - kick panel, (2 pc.)	3.00
C3446	68-77	SCREW SET - rear quarter trim retainers, (8 pc.)	4.35
C5474	78-82	SCREW SET - rear roof panel, (6 pc.)	4.00
C3445	68-76	SCREW SET - windshield header trim, (6 pc.)	4.55
C3478	77-82	SCREW SET - windshield header trim, (18 pc.)	5.90
C5827	68-72	TRIM - rear window, lower, coupe	119.95
C5828	73-76E	TRIM - rear window, lower, coupe	119.95
C5987	76L-77	TRIM - rear window, lower, coupe	89.95

Panels - Roadster (Convertible) Interior

C5657	68-77	KICK PANEL - plastic, LH, black	49.95
C5726	68-77	KICK PANEL - plastic, RH, black	49.95
C5898	68-77	KICK PANEL SET - specify year & color, (pr)	119.95
C5653	68	MOLDING - convertible, header molding, padded as original (specify color)	64.95
C5655	69-75	MOLDING - convertible, header molding, padded as original (specify color)	64.95
C5651	68-76	MOLDING - pillar post trim, padded, LH, (specify color)	59.95
C5652	68-76	MOLDING - pillar post trim, padded, RH, (specify color)	59.95
C5684	69-75	MOLDING - windshield header, padded, (specify color)	49.95
C5810	68-69	PANEL - convertible rear quarter trim, LH	175.00
C5811	68-69	PANEL - convertible rear quarter trim, RH	175.00
C5812	68-69	PANEL SET - convertible rear quarter trim, (pr)	299.95
C5815	70-75	PANEL SET - convertible rear quarter trim, w/o shoulder harness, specify color	299.95
C5478	70-74E	PANEL SET - convertible rear quarter trim, w/shoulder harness, specify color, pr	299.95
C7185	68-69	RETAINER SET - convertible rear quarter trim panels, (4 pc.)	39.95
C5809	70-75	RETAINER SET - convertible rear quarter trim panels, (4 pc.)	39.95
C3446	68-77	SCREW SET - rear quarter trim retainers, (8 pc.)	4.35
C5356	68-82	SCREW SET - kick panel, (2 pc.)	3.00

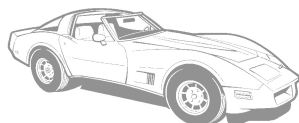
ORDER BY PHONE:

1-800-872-2446



TECHNICAL QUESTIONS:

708-458-2500



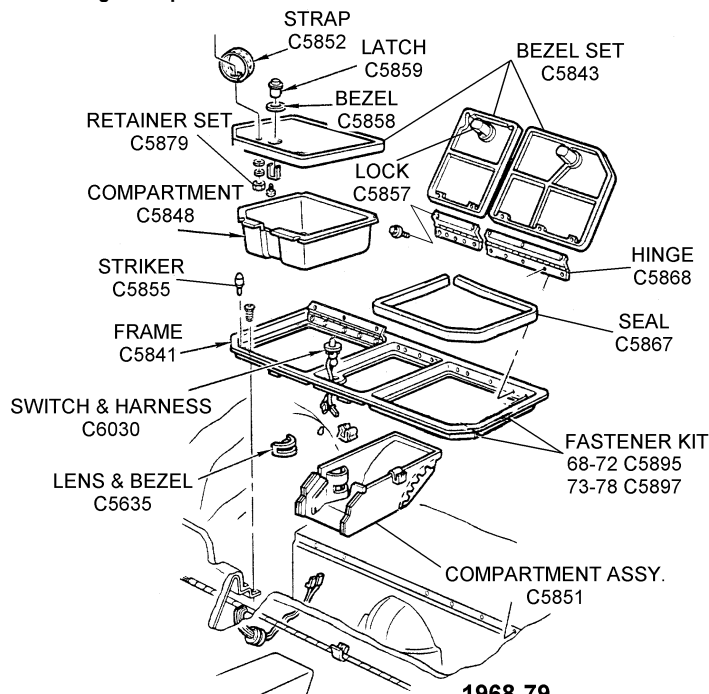
CUSTOMER SERVICE:

708-458-6577

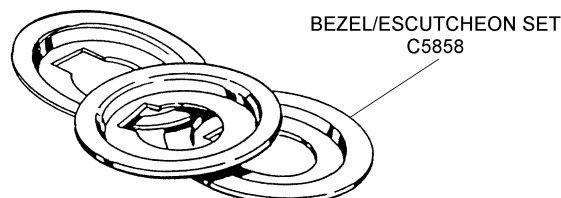
QUESTIONS ABOUT YOUR ORDER:

708-458-2500

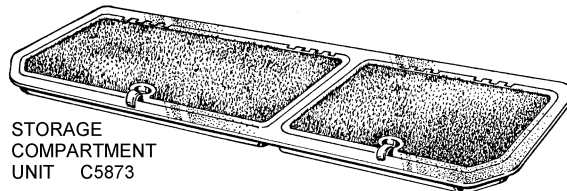
Rear Storage Compartment & Glove Box



1968-79 REAR STORAGE COMPARTMENT

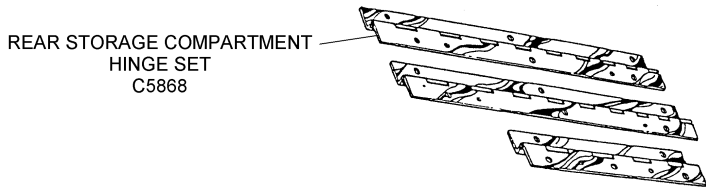


C5858	68-77	BEZEL / ESCUTCHEON SET - rear storage compartment lock, (3 pc.)	12.00
C5854	68-79	BEZEL SET - rear storage compartment doors, specify color, (3 pc.)	42.20
C5843	68-79	BEZEL SET - rear storage compartment doors, unpainted, (3 pc.)	24.75
C5874	79-82	BEZEL SET - rear storage compartment doors, (2 pc.)	30.50
C5863	68-77	BUMPER - rear storage compartment door, (ea)	2.25
C5848	68-79	COMPARTMENT - right side storage, 3 door system, plastic, repl.	41.35
C5849	79L-82	COMPARTMENT - right side storage, 2 door system	32.60
C5988	77-79E	COMPARTMENT ASSEMBLY - storage center	21.65
C5880	68-76	COMPARTMENT UNIT - storage, 3 door, 80/20 carpeted rear door	179.95
C5872	70-79E	COMPARTMENT UNIT - storage, 3 door, cut pile, specify color	179.95



C5873	79L-82	COMPARTMENT UNIT - storage, 2 door, cut pile, specify color	179.95
NOTE: 1968-82 Rear Compartment Storage Units are completely assembled w/carpet & painted to color you specify. Door are pre-rieveted to main frame w/stainless steel hinges.			
C5989	68-79	DOOR SET - rear compartments, fiberboard, 3pc	40.00
C5847	79L-82	DOOR SET - rear compartments, fiberboard, (2 pc.)	59.95
C5841	68-79	FRAME - rear storage compartment main, 3 door	24.75
C5978	79-82	FRAME - rear storage compartment main, 2 door	31.95
C5842	79-82	FRAME SET - rear storage compartment main	30.75
C5844	79-82	FRAME SET - rear compartment door, (2 pc.)	31.40
C5851	68-76	GLOVE BOX ASSEMBLY - storage, center, w/light lens & bezel, rear	34.95

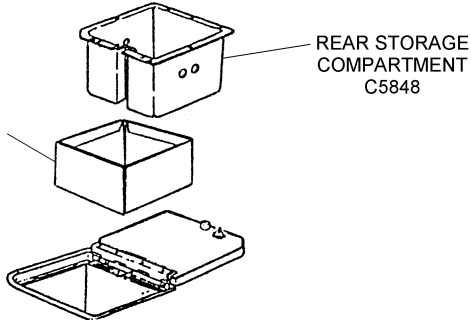




C5868 68-79E HINGE SET - rear storage compartment door, (3 pc.), stainless steel24.75



C5869 79L-82 HINGE PIN SET - rear compartment door, 2 pc.4.95



C5887 68 INSULATION - rear jack & battery storage compartment, correct materials as original, (2 pc. set)78.00

C5859 68-82 LATCH - rear storage compartment door push button29.95

C5635 68-79 LENS & BEZEL - glove box light, rear storage compartment10.30

C5862 68-79 LIFT TAB SET - rear storage compartment, left tabs, stainless steel, eliminates loops, (3 pc.)15.00

C5857 68-82 LOCK - rear storage compartment, includes key29.95

C5878 68-82 PLUG - drain, long style, storage compartment, GM #39481484.00

C6108 68-82 PUSH BUTTON - door latch, rear compartment .18.05

C5879 68-79E RETAINER SET - rear compartment latch, (3 pc.)6.20

C5860 79L-82 RETAINER SET - rear compartment latch, (2 pc.)5.75

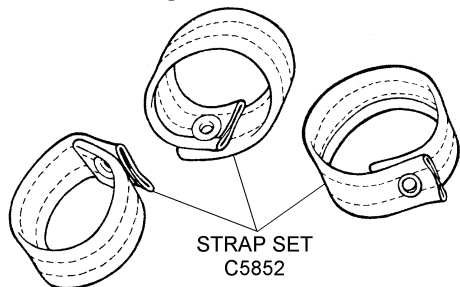
C5895 68-72 SCREW/HARDWARE KIT - rear storage compartment hardware21.50

C5897 73-79E SCREW/HARDWARE KIT - rear storage compartment hardware20.25

C5875 79L-82 SCREW/HARDWARE KIT - rear storage compartment hardware19.75

C5904 68-76 SCREW & NUT SET - storage compartment vinyl door pulls, (6 pc.)2.45

C5867 68-78 SEAL - battery box door, (ea)7.85



C5852 68-77 STRAP SET - vinyl rear compartment door pull strap, (3 req.) specify color9.30

C5870 79-82 STRAP & BUMPER KIT- rear compartment door limit, (pr)7.95

C5855 68-79 STRIKER KIT - 3 striker assemblies, 3 screw plates, 6 screws & 6 bumpers17.10

C5856 79-82 STRIKER KIT - 2 striker assemblies, 2 screw plates, 4 screws & 4 bumpers14.75

C1563 68-77 SWITCH/LIGHT & HARDWARE - rear compartment .80.00

C8777 77L-82 SWITCH & LIGHT KIT - glove box w/terminal & bulb10.75

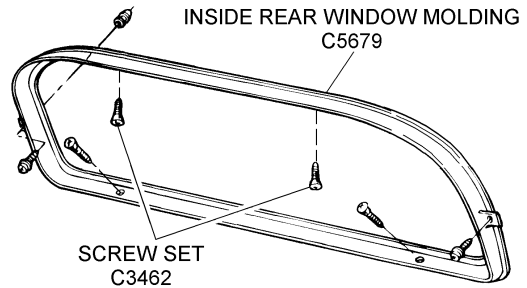
Rear Window & Storage Compartment

C5685 69-71 CLIP - rear window storage door, coupe20.20

C3360 68-71 FRAME - removable rear window, aluminum, N.O.S.295.00

C5896 69-71 HANDLE - rear window storage door clip, coupe50.95

C5944 69-72 LOCK ASSEMBLY - rear window, inside coupe .109.00



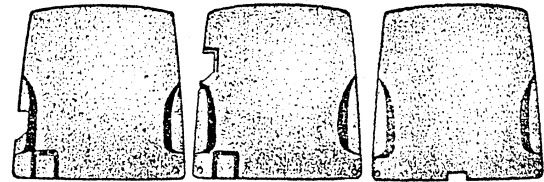
C5679 73-77 MOLDING/FRAME - inside rear window, paint as required75.55

C4300 68-72 PIN (guide) - removable rear window14.00

C3482 78-82 SCREW SET - inside rear window & package shelf molding, (12 pc.)3.95

C3462 73-77 SCREW SET - rear window inside molding, (7 pc.)4.55

Seat Backs



SEAT BACK
68E C5722, 68L-69 C5723, 70-78 C5782

C5722 68 BACK - seat, 1st design, low handle, (ea) ...41.35

C5889 68 BACK - seat, 1st design, low handle, specify color, (ea)60.30

C5723 68-69 BACK - seat, high handle, black, (ea)40.95

C5781 68L-69 BACK - seat, high handle, specify color, (ea)60.30

C5782 70-78 BACK - seat high handle, specify color, (ea)75.90

C5724 70-78 BACK - seat, black, (ea)37.95

C5916 68-69 BEZEL - seat back release on seat back LH or Rh / chrome13.95

C5738 70-78 BEZEL/ESCUTHEON - seat lock release button .28.40

C5737 69-78 BUTTON - seat release13.20

C5990 78-82 CARPET SET - seat back, (pr)37.40

C5733 68-69 KNOB - seat back release9.05

C5475 70-75 MOLDING - seat back trim, w/o holes59.95

C5725 68-78 RETAINER KIT - seat back, w/screws, (4 pc.) .15.50

C5173 70-78 SCREW SET - seat back release button bezel, (4 pc.)2.55

C5998 70-78 SCREW SET - seat back release button bezel, (4 pc.)1.00

C5476 70-75 TRIM - seat back, w/shoulder harness, LH87.85

C5477 70-75 TRIM - seat back, w/shoulder harness, RH87.85

C5744 70-78 WASHER SET - seat back bumpers, (4 pc.)4.10

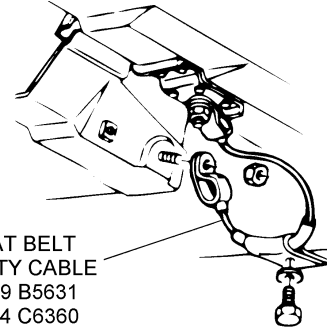
Seat Belt & Shoulder Harness Components

B5785 68-69 BEZEL/ESCUTHEON SET - head rest, top of seat, pr39.95

C5906 75-77 BOLT - seat belt anchor, (2 req.) (ea)9.35

B5781 68 BOLT SET - seat belt anchors, (pr)11.25

B5631 68-69 CABLE - seat belt, center, inner31.05



SEAT BELT SAFETY CABLE
68-69 B5631
71-74 C6360

C6360 71-74 CABLE - seat belt safety50.75

B5804 68-69 CABLE - seat belt, center, inner, included in B577936.25

C5732 68 COVER SET - shoulder harness retractor, specify color, pr49.00

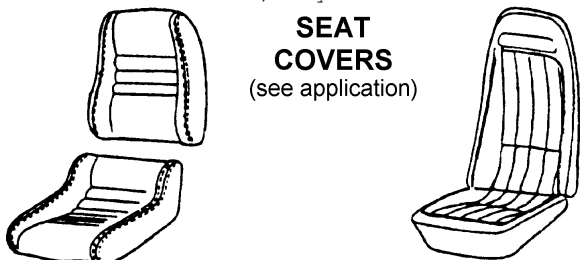
C6380 69 COVER SET - shoulder harness retractor, specify color, pr49.00

B5654 68-69 CUP/POCKET - shoulder harness seat belt buckles, specify color27.00

B5647 68	FASTENER KIT - seat belt, w/o shoulder harness	10.00
C6303 69	FASTENER KIT - seat belt, w/o shoulder harness	15.60
B6419 68-69	NUT - seat belt anchor, special thin design, 7/16 x 20, (2 req.) (ea)	1.35
C6309 74-77	FASTENER KIT - seat belt, coupe, w/shoulder harness	28.50
C5997 70-75	SCREW SET - seat belt shoulder harness in seat, (4 pc.)	1.95
C6382 69E	SLEEVE - seat belt buckle, (specify black, red, blue, or saddle) (pr)	38.75
C6381 69L	SLEEVE - inner belt buckle, metal seat, supports and protects, (pr) (specify black, red, blue, or saddle)	38.75
C6383 70-73	SLEEVE SET - seat belt buckle, inner supports and protects inner buckle, (specify black, red, blue, or saddle) (pr)	28.05
C6384 74-82	SLEEVE SET - seat belt buckles, supports and protects inner buckle	28.05
C6385 70-75	STOP - seat belt and shoulder harness web, prevents over retraction. 73-75 coupe, 70-75 convertible, (4 req. w/shoulder harness) (pr) (specify black, red, blue or saddle)	24.65

Seat Covers & Related Items

B5715 68-78	CLIP - seat cover mount, 'S' shape	1.35
B5774 68-78	CLIP SET - seat cover retaining 's' clips 5pc	6.95
C5701 68	COVER SET - seat, vinyl, specify color, (4 pc.)	449.95
C5702 68	COVER SET - seat, leather, specify color, (4 pc.)	599.95
C5703 69	COVER SET - seat, vinyl, specify color, (4 pc.)	379.95
C5704 69	COVER SET - seat, leather, specify color, (4 pc.)	699.95
C5705 70-74	COVER SET - seat, vinyl, specify color, (4 pc.)	379.95
C5706 70-71	COVER SET - seat, leather, specify color, (4 pc.)	649.95
C5707 72-74	COVER SET - seat, leather, specify color, (4 pc.)	649.95
C5708 75	COVER SET - seat, vinyl, specify color, (4 pc.)	379.95
C5709 75	COVER SET - seat, leather, specify color, (4 pc.)	499.95
C5710 76	COVER SET - seat, vinyl	379.95

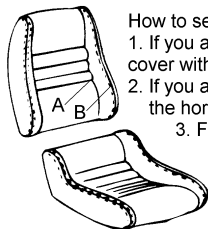


SEAT COVERS
(see application)

C5711 76-78	COVER SET - seat, leather, (except 78 pace car)	449.95
-------------	---	--------

NOTE: 1978 Pace cars use 79-82 style seats.

C5991 78	COVER SET - seat, leather, pace car, silver, (4 pc.)	495.00
C5713 79-82	COVER SET - seat, leather, specify color, (4 pc.)	445.00
C5763 82	COVER SET - seat, leather/vinyl, collector edition, (4 pc.)	595.00



How to select the correct size of 78-82 Seat Covers.

1. If you are going to use new seat foam, you must select seat cover with the 4" pleat.
2. If you are using your original seat foam, simply locate the end of the horizontal pleats (A) on your seat back's insert area.
3. Find the middle of the double stitching line (B)
4. Measure the distance between (A & B), it will be either 2" or 4".
5. Select your new seat covers with a 2" or 4" pleat as original.
6. For an even easier installation, see our new Mounted Seat Covers.

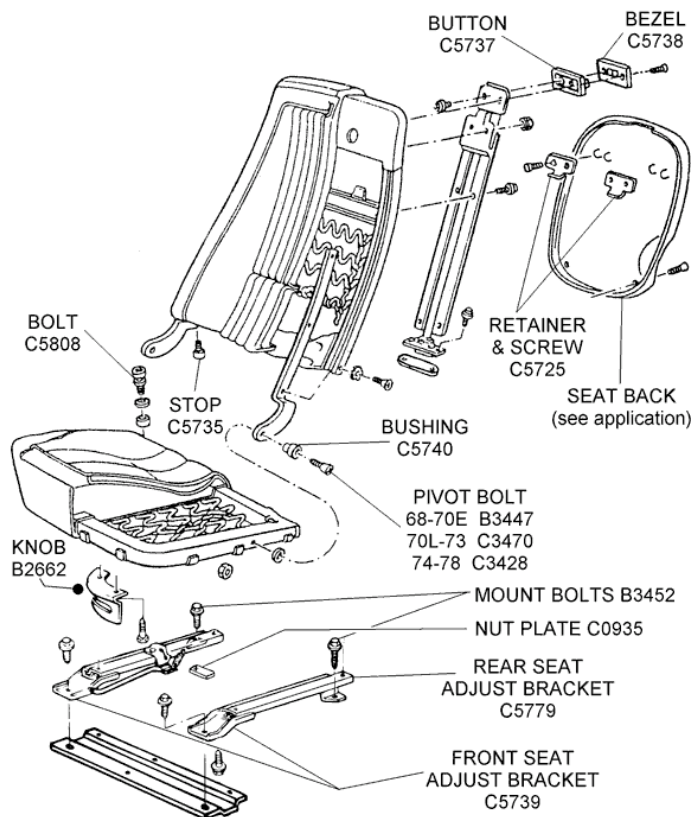
A5725 68-82	HOG RING SET - seat cover mounting, (25 pc.)	1.50
C5712 68-69	INSTALLATION KIT - seat cover	33.75
C5714 70-78	INSTALLATION KIT - seat cover, except Pace Car	35.35
C5772 78-82	INSTALLATION KIT - seat cover, (1978 Pace Car only)	34.40
A5719 68-82	PLIERS - hog ring, seat cover installation, economy	6.95

A5767 68-82	PLIERS - hog ring, seat cover installation, spring loaded	22.00
A5768 68-82	PLIERS - hog ring, seat cover installation, pro model	29.30
C0933 72-73	REINFORCEMENT - seat belt under body, LH	68.95
C0934 72-73	REINFORCEMENT - seat belt under body, RH	66.40
B5813 68-82	TOOL - seat cover installation, hook shape	13.80
G5000 70-75	VIDEO - seat cover installation, by Al Knoch interiors	49.95
G5001 76-78	VIDEO - seat cover installation, by Al Knoch interiors	49.95

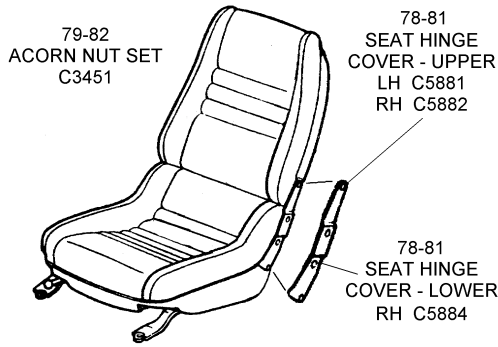
Seat Foam

C5715 68-69	FOAM KIT - seat, (4 pc.)	170.00
C5716 70-74	FOAM KIT - seat, (4 pc.)	170.00
C5718 75	FOAM KIT - seat, (4 pc.)	170.00
C5719 76-78	FOAM KIT - seat, (4 pc.)	170.00
C5720 78-82	FOAM KIT - seat, 78 pace car, 79-82 all, (2' pleat) (4 pc.)	279.95
C5721 78-82	FOAM KIT - seat, 78 pace car, 79-82 all, (4' pleat) (4 pc.)	279.95

Seat Hardware

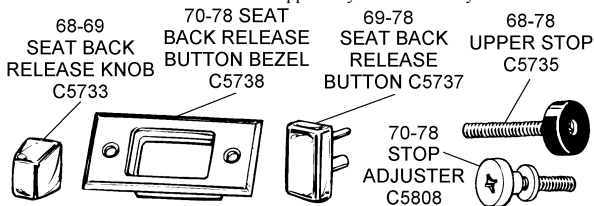


B4856 68-72	BAG - seat shims	3.50
C5731 70-75	BEZEL - shoulder harness, LH	22.45
C5736 70-75	BEZEL - shoulder harness, RH	22.45
B3447 68-70E	BOLT - seat hinge pivot, ea	3.50
C3470 70L-73	BOLT - seat hinge back pivot	3.65
C3440 74-78	BOLT - seat back pivot	4.25
C5808 70-78	BOLT - seat back stop adjuster, lower, ea	7.55
B3452 68-78	BOLT SET - seat mount to floor, except 1978 pace car, 8 pc.	7.40
C5779 68-71	BRACKET - seat adjuster rear mounting, welds to seat frame, (ea)	16.95
C5925 72-74	BRACKET - seat adjuster mounting, rear, (4 req.) (ea)	18.00
C5923 68-78	BRACKET KIT - seat adjuster mounting, front, welds to frame	16.85
C5807 72-75	BUMPER - convertible seat back on deck lid	15.95
C9735 69	BUMPER - seat, not as original	4.00
C5777 68-69	BUMPER KIT - seat, 2 bumpers & 2 screws, 1968 replacement	9.00
C5907 70-78	BUMPER SET - upper rear seat back stops, cut off stud to desired length, 5/16'-18 thread, w/rubber caps, pr	11.95
C5740 68-78	BUSHINGS - seat back hinge pivot bolt, (plastic) (4 pc.)	10.25



- C5884 78-81 COVER SET - seat hinges, 4pc/LH-RH lower & upper59.95
- B2662 68-77 KNOB - seat adjusting, chrome, (ea)15.55
- C0359 78-82 KNOB SET - seat adjuster/specify color21.55
- C0935 68-74 NUT PLATE - rear seat mount, under body13.00
- C3451 79-82 NUT SET - acorn, seat side hinge covers, (6 pc.)5.20
- C5776 68-74E RAIL SET - side of seat, w/fasteners, chrome, 4PC279.00
- C5588 74L-78 RAIL SET - side of seat, w/fasteners, chrome, 4PC3.95
- B5653 68-73 SCREW SET - seat hinge, chrome, (pr)2.60
- C3447 68-78 SCREW SET - seat back, (4 pc.)2.95
- C5891 68-69 SHIM KIT - seat, w/bag28.90
- C5890 70-72 SHIM KIT - seat, w/bag20.95

NOTE: In 1968-72 Seat Shim Kits were supplied by GM with every Corvette.

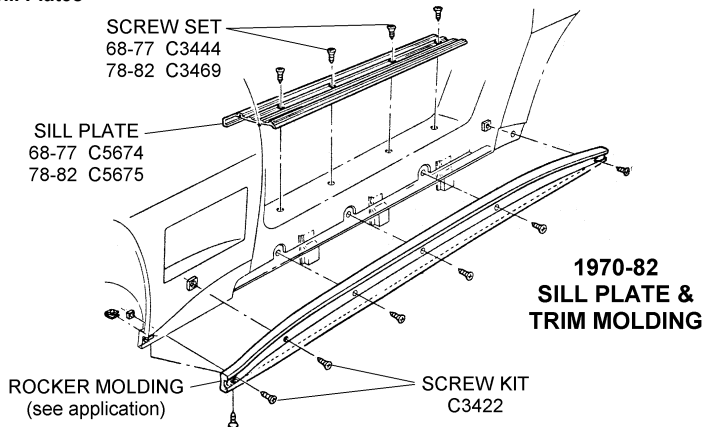


- C5735 68-78 STOP - seat back rubber bumper, w/screw, (4req.) (ea)3.95
- C8691 81-82 SWITCH & HARNESS - power seat129.35
- B3448 68-78 WASHER - seat pivot bolt, (ea)1.55

Seat Head Rests

- C5787 68-69 COVER SET - headrest, (vinyl) pair49.95
- C4714 68-69 COVER SET - headrest, (leather)59.95
- C5788 68-69 FOAM SET - headrest, (pr)34.95
- C5974 68-69 HEADREST SET - used255.00

Sill Plates



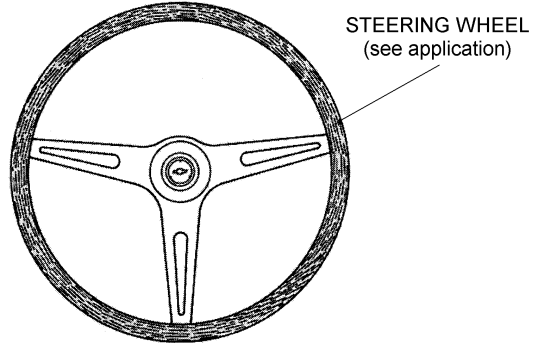
- C5940 68-79E DIVERTER - door sill water, (68-71 repl.), LH15.95
- C5941 68-79E DIVERTER - door sill water, (68-71 repl.), RH15.95
- C5942 79L-82 DIVERTER - door sill water, LH16.95
- C5943 79L-82 DIVERTER - door sill water, RH16.95
- C5674 68-77 PLATE - sill, (ea)21.85
- C5675 78-82 PLATE - sill, (ea)16.40
- C3444 68-77 SCREW SET - sill plates, (8 pc.)3.95
- C3469 78-82 SCREW SET - sill plates, (8 pc.)2.95

Steering Column

- C5893 68 COVER - lower steering column, specify color69.95
- C7902 68 COVER - lower steering column, unpainted, (2 pc.)74.95

- C5894 69-77 COVER - lower steering column, specify year & color59.95
- C7910 69-77 COVER - lower steering column, on instrument panel, unpainted44.15
- C7183 78-82 COVER - lower steering column, specify color59.95
- C7904 68 COVER - upper steering column, painted, specify color, (2 pc.)74.95
- C5888 68 COVER - upper steering column, specify color, (2 pc.)84.95
- C6080 68 COVER - lower steering column, on instrument panel, specify color64.85
- C7906 68 COVER - lower steering column, on instrument panel, unpainted69.95

Steering Wheels

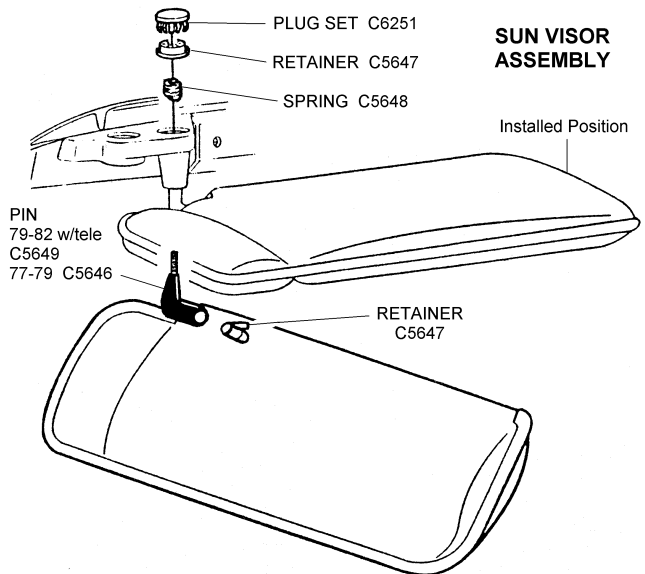


- C5915 78-82 COVER - lower steering column, specify color56.90
- C5784 69-75 HUB - steering wheel, w/o tilt & tele., original, reconditioned49.00
- C5783 69-75 STEERING WHEEL - stainless steel w/black rubber sandwich construction, original, reconditioned224.95

NOTE: 3 Spoke Leather Steering Wheel, 14" diameter, aluminum spoke. Fits 68-75 & 77-82 w/tilt & tele Column.

Sun-Visors & Related

- C5992 68 HARDWARE KIT - sun visors, w/o pivot bars, (pins)16.50
- C8738 68 HARDWARE KIT - sun visors, w/ pivot pins54.95
- C5646 77-79 PIN - sun-visor, (ea)8.65
- C5649 79-82 PIN - sun-visor, LH w/tele, (pivoting) (ea)17.95
- C5902 69-76 PIN SET - sun visor hardware, (4 pc.)27.10
- C6251 79-81 PLUG SET - sun visor pin spring hole, (pr)6.90
- C5692 79-82 REPAIR KIT/INSET SET - tele sun-visor, nylon bushing, fixes sag, (pr)12.05
- C5647 77-82 RETAINER - sun-visor pin, (ea)4.60
- C5650 79-81 RETAINER & SPRING KIT - visor end, used to attach C56496.85
- C3439 68-76 SCREW SET - sun visors4.25
- C5648 79-81 SPRING - sun-visor pin retainer, hole plug4.70
- C5931 77-82 SUN-VISOR - 77-79 LH w/o tile or 77-82 RH w/o vanity mirror46.95



- C5934 79-82 SUN-VISOR - (w/precut vanity mirror provisions)46.95
- C5933 79-82 SUN-VISOR - with telescoping rod LH69.95
- C5636 68 SUN-VISOR SET - w/o hardware, specify color, (pr)79.95

C5637	69-73	SUN-VISOR SET - comfort weave knit, specify color, (pr)	79.95
C5638	69-73	SUN-VISOR SET - Madrid weave, deluxe interiors, specify color, (pr)	79.95
C5640	74-75	SUN-VISOR SET - Madrid weave, deluxe interiors, specify color, (pr)	79.95
C5639	74-75	SUN-VISOR SET - comfort weave knit, specify color, (pr)	79.95
C5670	76	SUN-VISOR SET - specify color, (pr)	79.95
C9080	79-82	SUN-VISOR SET - black, style 'A', (pr)	82.80
C5671	77-79	SUN-VISOR SET - specify color, w/o tile or vanity mirror (pr)	85.95
C5642	69-76	SUPPORT - sun-visor, LH, inner	8.25
C5644	69-76	SUPPORT - sun-visor, LH, outer	8.25
C5643	69-76	SUPPORT - sun-visor, RH, inner	8.25
C5645	69-76	SUPPORT - sun-visor, RH, outer	8.25

T-TOP

C9002	68-82	BAG SET - T-tops, deluxe (pr), heavy weight material w/cotton fleeced lining/black	41.40
C0349	68-82	CLIP - T TOP headliner	1.75
C9052	68-82	FASTENER/VELCRO - T-top headliner, round, (ea)	1.55
C5615	78-82	FASTENER/VELCRO - T-top headliner, nylon, (pr)	3.95
C9000	68-77	FASTENER SET - T-top liner to T-top, (16 pc/oval)	19.95
C9007	78-79	FASTENER SET - T-top liner to T-top, (18 pc/round)	29.95
C9013	80-82	FASTENER SET - T-top liner to T-top, (10 pc/round)	16.95
C9050	68-77	LINER/PAD - T-top interior, LH, (specify color)	149.95
C9051	68-77	LINER/PAD - T-top interior, RH, (specify color)	149.95
C9054	78-82	LINER/PAD - T-top interior, LH, (specify color)	209.95
C9053	78-82	LINER/PAD - T-top interior, RH, (specify color)	209.95
C9020	78-82	LINER SET - T-top, hard ABS plastic, black, (pr)	155.20
C9021	78-82	LINER SET - T-top, hard ABS plastic, (specify color) (pr)	172.45
C5994	68-76E	PANEL - center, between T-tops	229.95
C5995	76L-77	PANEL - center, between T-tops	229.95
C5996	78-82	PANEL - center, between T-tops	249.95

Tunnel Sound Deadener Insulation

C5741	68-76	INSULATION/SOUND DEADENER - tunnel, (3 pc.)	18.15
C5742	77	INSULATION/SOUND DEADENER - tunnel, (2 pc.)	12.45
C5743	78	INSULATION/SOUND DEADENER - tunnel, (1 pc.)	7.35

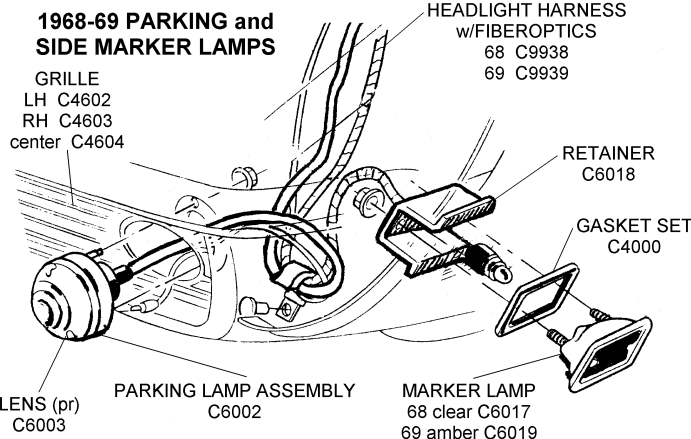
LIGHTS, LAMPS & RELATED

Bulbs

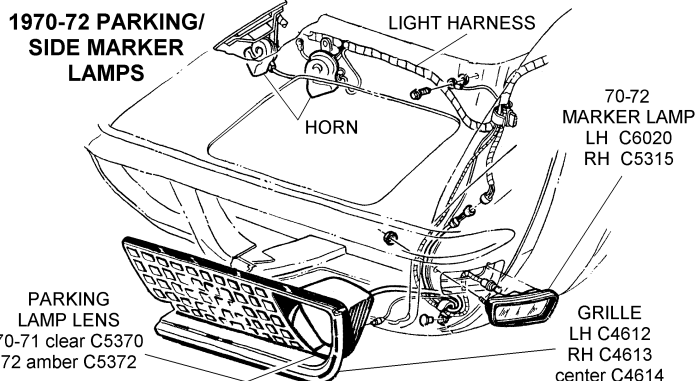
C6088	68-71	BULB - headlight T3 w/stripped field hi-low (3 prong), used, guaranteed	25.00
C6089	68-71	BULB - headlight T-3 w/stripped field hi only (2 prong), used, guaranteed	14.95
A6006	68-82	BULB - headlight, hi-low beam, standard replacement, (ea)	9.95
A6007	68-82	BULB - headlight, hi beam, halogen, (ea)	11.95
A6009	68-82	BULB - headlight, hi-low beam, halogen, (ea)	11.95
C6090	68-71	BULB KIT - headlight, T3 w/stripped field, (4 pc.)	144.95
C5350	68	BULB KIT - all bulbs, except headlights, (42 pc.)	36.00
C5351	69	BULB KIT - all bulbs, except headlights, (42 pc.)	36.00
C5352	70	BULB KIT - all bulbs, except headlights, (42 pc.)	36.00
C5353	71	BULB KIT - all bulbs, except headlights, (43 pc.)	36.00
C5355	72-73	BULB KIT - all bulbs, except headlights, (41 pc.)	36.00
C5354	74-76	BULB KIT - all bulbs, except headlights, (44 pc.)	36.00

Lights & Lamps - Front

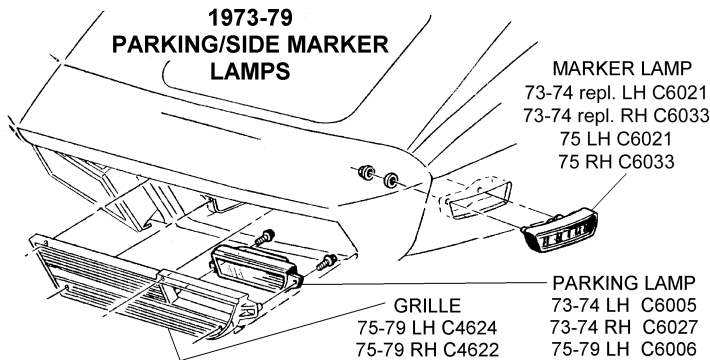
C6023	80-82	BEZEL - front marker cornering lamp, LH	CALL
C6035	80-82	BEZEL - front marker cornering lamp, RH	CALL
C4008	68-69	GASKET SET - park lamp lens, (pr)	3.40
C4010	70-72	GASKET SET - park lamp lens, (pr)	4.50
C4000	68-69	GASKET SET - side marker lights to body, (4 pc.)	7.50
C5201	77-80	GROUND WIRE - hood lamp	9.35



C6002	68-69	LAMP ASSEMBLY - parking light, LH or RH, w/wire harness, housing, lens, gasket, light bulb & fiber optic connection, (2 req.) (ea)	83.45
C6005	73-74	LAMP ASSEMBLY - parking, front, LH	73.95
C6027	73-74	LAMP ASSEMBLY - parking, front, RH	73.95
C6006	75-79	LAMP ASSEMBLY - parking, front, LH	73.95
C6028	75-79	LAMP ASSEMBLY - parking, front, RH	73.95
C5376	80-82	LAMP ASSEMBLY - parking, front, LH	73.95
C5377	80-82	LAMP ASSEMBLY - parking, front, RH	73.95
C6017	68	LAMP ASSEMBLY - side marker, front, clear	17.95
C6019	69	LAMP ASSEMBLY - side marker, front, amber	33.95



C6020	70-72	LAMP ASSEMBLY - side marker, LH front	55.95
C5315	70-72	LAMP ASSEMBLY - side marker, RH front	55.95
C6021	73-74	LAMP ASSEMBLY - side marker, LH front	55.95



C6033	73-74	LAMP ASSEMBLY - side marker, RH front	55.95
C6057	75-79	LAMP ASSEMBLY - side marker, LH front	52.95
C6030	75-79	LAMP ASSEMBLY - side marker, RH front	52.95

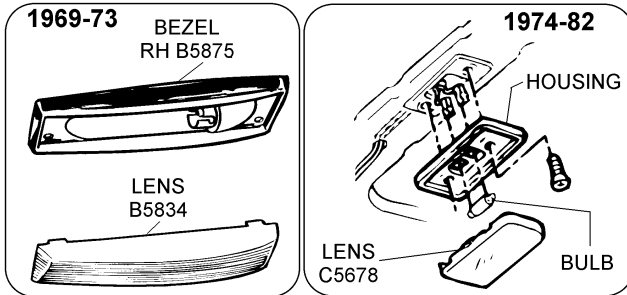


C6022	80-82	LAMP ASSEMBLY - front/side marker/cornering, LH	103.95
C6034	80-82	LAMP ASSEMBLY - front/side marker/cornering, RH	103.95
C6003	68-69	LENS SET - parking lamp, front, (pr)	26.65
C5370	70-71	LENS SET - parking lamp, front, LH & RH, clear, (pr)	48.45

C5372	72	LENS SET - parking lamp, front, LH & RH, amber, (pr)	42.70
C6018	68-69	RETAINER - side marker lamps	7.85
A4931	68-82	RING - headlight bulb retainer, stainless steel, (4 req.) (ea)	22.60
C6061	68-69	SCREW SET - parking light lens, (4 pc.)	3.45
C3458	70-72	SCREW SET - parking light lens, (6 pc.)	11.65
C6066	80-82	SEAL SET - front marker lamps, (pr)	6.65
C5321	69-75	SOCKET - parking lamp	12.75
C6063	77L-78	SOCKET & WIRE SET - parking light, (pr)	25.00
C6064	79	SOCKET & WIRE SET - parking light, (pr)	25.00
C6065	80-82	SOCKET & WIRE SET - parking light, (pr)	44.60
C6068	70-79	SOCKET & WIRE - parking/turn signal lamp	46.55
C6069	80-82	SOCKET & WIRE - parking/turn signal lamp	34.15
C3398	70-82	SPEED NUT SET - marker lamp, (8 pc.)	2.65
C3386	70-73	SPEED NUT SET - side marker lamps, (8 pc.)	2.65

C5879	68-79E	RETAINER SET - rear compartment latch, (3 pc.)	6.20
C5860	79L-82	RETAINER SET - rear compartment latch, (2 pc.)	5.75
C3457	68-69	SCREW SET - tail light lens, (12 pc.)	6.40
C3459	70-73	SCREW SET - tail light lens, (12 pc.)	8.10
C3460	75-79	SCREW SET - tail light lens, (8 pc.)	4.95
C6051	80-82	SCREW SET - tail light lens, (8 pc.)	18.35
C6607	75-78	SOCKET - side marker lamp, (90 degree socket)	18.75
C6073	77-82	SOCKET - tail lamp	6.75
C6074	80-82	SOCKET - tail lamp w/back-ups	14.70
C3386	70-73	SPEED NUT SET - side marker lamps, (8 pc.)	2.65
C3398	74-82	SPEED NUT SET - side marker lights, (8 pc.)	2.65
A6059	68-73	WICK SET - tail lamp lens drains, (4 pc.)	3.95

Lights & Lamps - Interior

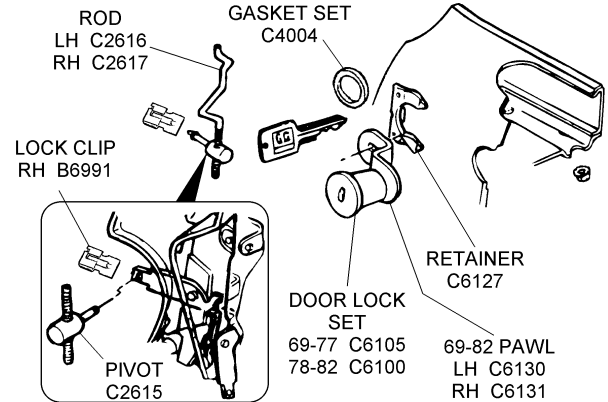


B5875	69-73	DOME LIGHT ASSEMBLY - housing, lens & socket	44.85
C8742	68	LENS - dome light, rear quarter trim panel	29.95
B5845	68-73	HOUSING/BEZEL - dome light, coupe	39.25
B5834	69-73	LENS - dome light	6.90
C5678	74-82	LENS - dome light	3.75
C5635	68-79	LENS & BEZEL - glove box light, rear storage compartment	10.30
C6029	68-82	LIGHT - courtesy, (mounts on kick panel)	36.15
B6027	68-73	SCREW & 'U' NUT KIT - dome light housing mount, (4 pc.)	6.95
C6076	78-82	TIMER - courtesy lights, (reconditioned, original)	49.95

Lights & Lamps - Rear

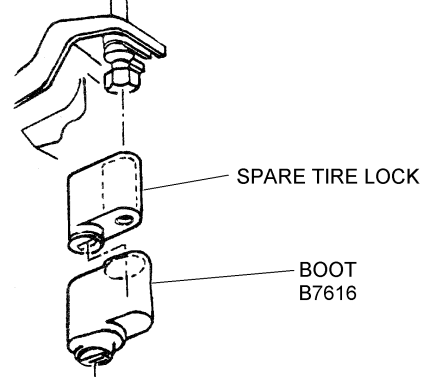
C8747	68-72	GASKET - license lamp lens	6.25
C4022	68	GASKET SET - back-up light lens, (pr)	4.50
C4024	68	GASKET SET - back-up lights to body, (pr)	8.50
C4012	68-73	GASKET SET - tail light housing to body, (4 pc.)	3.25
C4014	68-73	GASKET SET - tail light lens	2.25
C6048	68-71	HOUSING - tail light, w/fiber optics	51.75
C6050	69-73	HOUSING - tail light/back-up light, w/o fiber optics	47.95
C6049	72-73	HOUSING - tail light, w/o fiber optics	47.50
C6024	68-69	LAMP - side marker, rear, LH & RH, each	32.40
C6070	70-73	LAMP - side marker, rear, LH, (73 repl)	64.65
C6036	70-73	LAMP - side marker, rear, RH, (73 repl)	67.95
C6026	74-82	LAMP - side marker, rear, LH	57.95
C6037	74-82	LAMP - side marker, rear, RH	57.95
C6014	68-71	LAMP ASSEMBLY - license plate	53.55
C6047	72-73	LAMP ASSEMBLY - license plate	44.95
C6015	74	LAMP ASSEMBLY - license, w/lens	21.95
C6016	75-82	LAMP ASSEMBLY - license	14.95
C6016	77-82	LAMP ASSEMBLY - spare tire carrier	14.95
C6040	74	LAMP ASSEMBLY - tail light, all red	60.35
C6041	74	LAMP ASSEMBLY - tail light w/back-up	60.35
C6042	75-79	LAMP ASSEMBLY - tail light w/back-up	63.80
C6038	75-79	LAMP ASSEMBLY - tail light, all red	60.35
C6044	80-82	LAMP ASSEMBLY - tail light, w/back-up	44.65
C6032	68-73	LENS - rear license lamp	15.50
C6025	74	LENS - rear license lamp	17.10
C6011	70-71E	LENS - tail light, all red	51.75
C6008	68-69	LENS - tail light, all red, (68-4 req.) (69-2 req.)	51.75
C6012	70-71E	LENS - tail light, w/back-up lamp	51.75
C6013	72-73	LENS - tail light, w/back-up lamp	51.75
C6060	71-73	LENS - tail light, brake/turn signal, all red	53.25
C6010	69	LENS - tail light, w/back-up lamp	51.75
C6009	68	LENS SET - back-up lamps, (pr)	43.95
C6039	80-82	LOUVER SET - tail lights, ABS plastic, black, (4 pc.)	23.95

LOCKS & RELATED

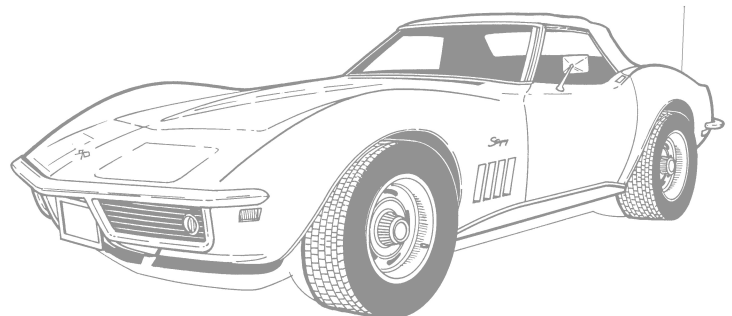


All lock sets have correct faces. Sets are keyed alike w/original type keys. Other miscellaneous lock parts available. Specify year when ordering.

C2606	68	BEZEL - door open, push button	30.15
A6132	68-77	BEZEL/ESCUTCHEON - door lock, (2 req.) (ea)	8.95
C6115	68	BLANK - key, hex 'C'	3.95
C6116	68	BLANK - key, round 'D'	3.95
C6118	69-81	BLANK - key, oval 'H' (69 & 73 & 77 & 81)	3.95
C6117	69-81	BLANK - key, square 'E' (69 & 73 & 77 & 81)	3.95
C6120	70-82	BLANK - key, oval 'K' (70 & 74 & 78 & 81)	3.95
C6119	70-82	BLANK - key, square, 'J' (70 & 74 & 78 & 81)	3.95
C6122	71-79	BLANK - key, oval 'B' (71 & 75 & 79)	3.95
C6121	71-79	BLANK - key, square 'A' (71 & 75 & 79)	3.95
C6124	72-80	BLANK - key, oval 'D' (72 & 76 & 80)	3.95
C6123	72-82	BLANK - key, square 'C' (72 & 76 & 80)	3.95

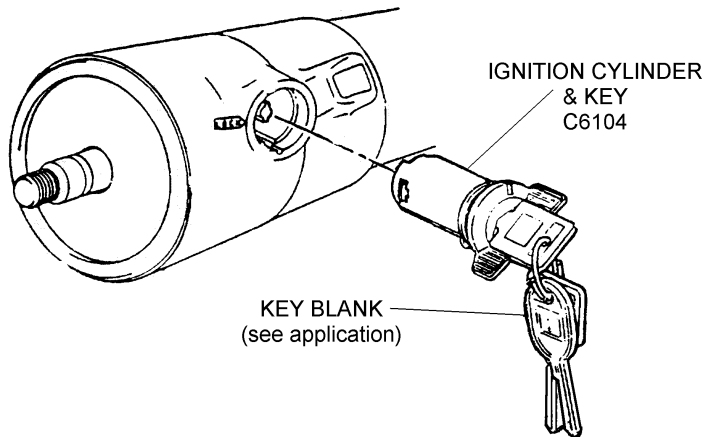


B7616	68-82	BOOT - spare tire lock	8.95
C6114	68	LOCK CYLINDER W/KEY - ignition	17.20



NOTE: Louver Set C6039 can be painted to match body color.

C6072	75-82	NUT - tail light mounting, anchor type	3.90
B6095	68-73	PIGTAIL - back-up light connector w/wire	11.00
A6036	68-72	PIGTAIL - tail light connector, turn/stop, w/wires	11.50



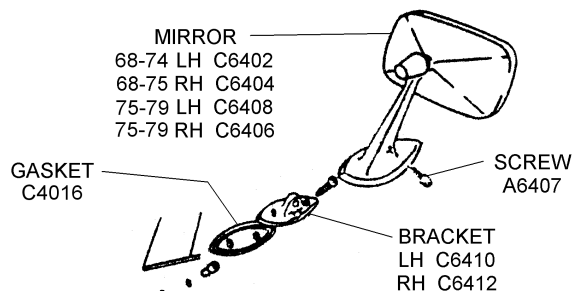
C6104	69-77	LOCK CYLINDER W/KEY - ignition	24.95
C6125	78-82	LOCK CYLINDER W/KEY - ignition	24.95
C4004	68-82	GASKET SET - door lock, (pr)	1.55



G0019	68-82	KEY FOB - corvette emblem, color coded to your car, w/key ring	9.25
C5857	68-77	LOCK - rear storage compartment, includes key	29.95
B6105	68-82	LOCK RE-KEYING - spare tire, to your current door lock, send us your original key or code & we will get a new spare tire lock keyed to match, includes 2 keys	58.95
C6105	69-77	LOCK SET - door, (pr)	32.95
C6100	78-82	LOCK SET - door, (pr)	37.85
C6101	68	LOCK SET - glove box & spare tire	78.50
C6110	68-77	LOCK SET - glove box, w/key	27.25
C6112	78-82	LOCK SET - glove box, w/key	24.95
C6102	69-77	LOCK SET - ignition, 2 door, glove box, (4 pc.)	84.95
C6103	69-77	LOCK SET - ignition & doors, (3 pc.)	58.95
C6126	78-82	LOCK SET - ignition & doors, (3 pc.)	69.95
B6130	68-82	LOCK & KEY - spare tire	44.85
C6190	68-70E	LOCK & KEY - theft alarm, mounted in rear tail light panel	32.95
C6109	70L-77	LOCK & KEY - theft alarm, mounted in left front fender	36.95
C6130	69-80	PAWL - door lock, LH	4.45
C6131	69-80	PAWL - door lock, RH	4.45
C6132	81-82	PAWL - door lock, w/alarm, RH	3.95
C6108	68-82	PUSH BUTTON - door latch, rear compartment	18.05
B6144	68-77	RETAINER - door lock cylinder pawl	1.25
C6127	68-82	RETAINER - door locks or anti theft lock	3.45
C2677	78L-82	SWITCH/RETAINER - drivers door lock to alarm activator (re manufactured from original)	74.95

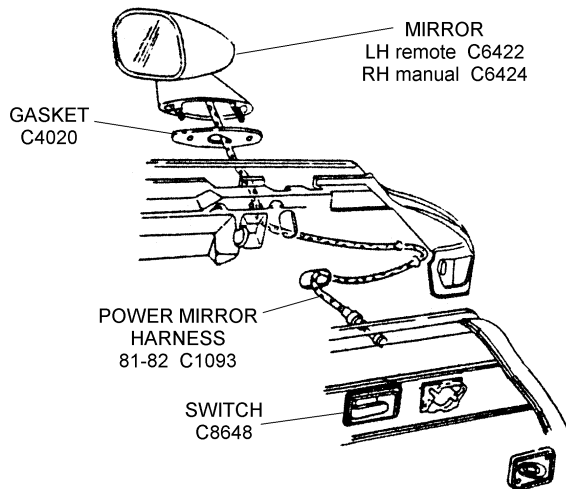
MIRRORS

Exterior



Exterior mirrors measure 5" across on 1968-74 and 6" across on 1975-79. Chrome outside mirrors were used on all 1977-79 without sport mirror.

G6401	68-82	ADHESIVE - rear view mirror to windshield, 'Loctite'	6.75
C6410	68-79	BRACKET - outside mirror, LH	10.25
C6413	68-79	BRACKET - mirror RH	8.95
C6466	78-82	ESCUTCHEON/BEZEL - remote outside mirror control on door panel	28.45
C4016	68-79	GASKET - mirror mount	2.95
C4020	77-82	GASKET/PLASTIC - sport mirror mount	8.00



C6411	78-82	GLASS - sport mirror, LH	11.40
C6420	68-77	INSTALLATION KIT - mirror, (except sport mirror) (RH)	8.00
C6405	73-77	LABEL - mirror w/map light, (clear w/white printing)	3.50
C6402	68-74	MIRROR - door w/small head w/mount kit, LH	67.25
C6404	68-74	MIRROR - door w/small head w/mount kit & template, RH	67.25
C6408	75-79	MIRROR - door w/large head w/mount kit, LH	53.43
C6406	75-79	MIRROR - door w/large head w/mount kit, RH	53.45
C6451	68-75	MIRROR - w/correct dated glass, LH, specify DM1 when ordering	87.45
C6452	68-75	MIRROR - w/correct dated glass, RH, specify DM1 when ordering	88.95

NOTE: Sport mirrors can also be retro-fitted for 68-77.

C6424	77-80	MIRROR - sport, manual exterior, RH, used original	90.00
C6422	77-82	MIRROR - sport, remote, LH	147.85
C6419	68-79	MOUNT KIT - mirror, bracket, gasket & 3 screws, (LH)	11.20
C6412	68-77	MOUNT KIT - outside mirror bracket, RH gasket, bracket, side mount screw & C6420	17.95
C6465	77-82	NUT SET - sport mirror mount, (4 pc.)	2.25
C6446	68-76	RETAINER/CLAMP - inside mirror ball stud	23.95
C6461	77-82	RETAINER - sport mirror bezel	9.50
A6407	68-77	SCREW - outside mirror, socket head style	2.85
C6415	68-77	SCREW & WELL NUT KIT - outside mirror bracket	8.15

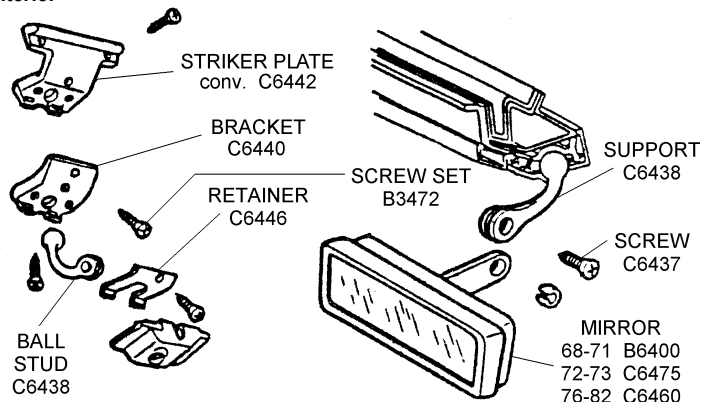
NOTE: C6415 is used to mount 1968-77 outside mirror to cars w/o mirror mount holes or damaged holes.

C6462	77-82	SCREW SET - sport mirror bezel	4.50
C3490	77-82	SCREW SET - sport mirror bezel, (4 pc.)	3.60

Passenger side (RH) outside mirrors became a dealer installed option in 1973. All 1968-82 Outside Mirrors used dated glass originally. The date code format is MMDMI Y. MM is the month, DMI is manufacturer and Y is the year. Example: 3 DMI 1 = March 1971.

C8729	81-82	SWITCH - power mirrors, joy stick type, moves mirror head, (recond.)	94.00
C8577	81-82	SWITCH - power mirrors, paddle type, 'Select LH or RH mirror', (recond.)	94.00

Interior



C6438	68-76	BALL STUD/SUPPORT - inside mirror	25.95
C6442	68-75	BRACKET - interior mirror and convertible striker plate on windshield frame, satellite finish, convertible	37.95
C6440	68-76	BRACKET - interior mirror and convertible striker plate on windshield frame, coupe	25.95
C6471	68-76	COVER - rear view mirror bracket, vinyl, specify color	28.95
B6499	68-73	GLASS/PRISM MIRROR - day/night, glass only	51.75
B6439	68-71	MIRROR - day/night, 10', replacement	43.10
B6436	68-71	MIRROR - inside day/night - excellent reproduction	77.25
C6460	76-82	MIRROR - 10' glare proof, tilt	75.80
C6400	68-75	MOUNT KIT - interior mirror, convert. (incl. C6442, C6438, C6446)	51.95
C6401	68-76	MOUNT KIT - interior mirror, coupe (incl. C6440, C6438, C6446)	42.50
B6440	68-72E	RESTORATION SERVICE - interior mirror, day/night, original w/new glass (exch.)	85.00

NOTE: Day/Night mirrors for exchange must not be dented or have rusted rivets or ball stud. If you have a mirror you want reconditioned, we can buff-out the housing and install a new glass. We will do the best we can with what you send.

C6446	68-76	RETAINER/CLAMP - inside mirror ball stud	23.95
B3471	68-75	SCREW - inside mirror to support, (ea)	1.95
C6441	68-76	SCREW - inside mirror to support	1.00
C6437	68-76	SCREW - mirror support ball stud	1.25
B3472	68-72	SCREW SET - inside mirror support to header, (2 pc.)	2.25
C6470	77-82	SUPPORT - mirror, mounts to windshield	8.25

PAINT

G5012	68-72	PAINT - frame & chassis, asphalt based, black, quart	19.95
-------	-------	--	-------

NOTE: Paint G5012 is asphalt based from original supplier and specified by OEM for frame painting and black out. This paint is absolutely necessary for restorers who demand authenticity. Susceptible to gasoline spills.

G5013	68-82	PAINT - synthetic zinc chromate primer green	12.35
-------	-------	--	-------

NOTE: Paint G5013 duplicates the olive green zinc chromate primer that the factory use, but it performs much better. It prevents rust and provides a smooth tough surface for top coatings. Use on body "birdcage" metal components and more.

B4266	68-82	PAINT - gauges and clocks, florescent orange, touch-up jar	7.00
G5009	68-81	PAINT - air cleaner, 12 oz can	15.15

NOTE: Paint G5009 duplicates the "factory-fresh" look on your air cleaner base, cover, special ducted air hood extension and flange components. Easy one-step application sprays on thick enough for maximum protection, yet thin enough not to interfere with air cleaner reassembly. Self-priming paint that takes the place of primer, base coat and top coat. This superb gloss finish withstands the rigorous operating temperatures in engine bay and helps protect against scuffs and scrapes.

B9434	68-82	PAINT - rally wheel paint aerosol can	6.50
G0114	68-82	PAINT - cast iron color, stainless steel spray coat, 12 oz aerosol can	6.50
G5002	68-82	PAINT - cast iron color, stainless steel spray coat, hi-temp. 12 oz. aerosol	6.50
G5090	68-82	PAINT - GM chassis, black, 12 oz. aerosol	5.85
G5003	68-82	PAINT - black, semi-gloss, 12 oz. aerosol	6.50
G5005	68-82	PAINT - rear spring gray, 12 oz aerosol	8.40
S9356	68-82	PAINT - gray, shock absorber, aerosol can	15.70

ORDER BY PHONE:

1-800-872-2446

ORDER BY FAX:

708-458-2662

TECHNICAL QUESTIONS:

708-458-2500

CUSTOMER SERVICE:

708-458-6577

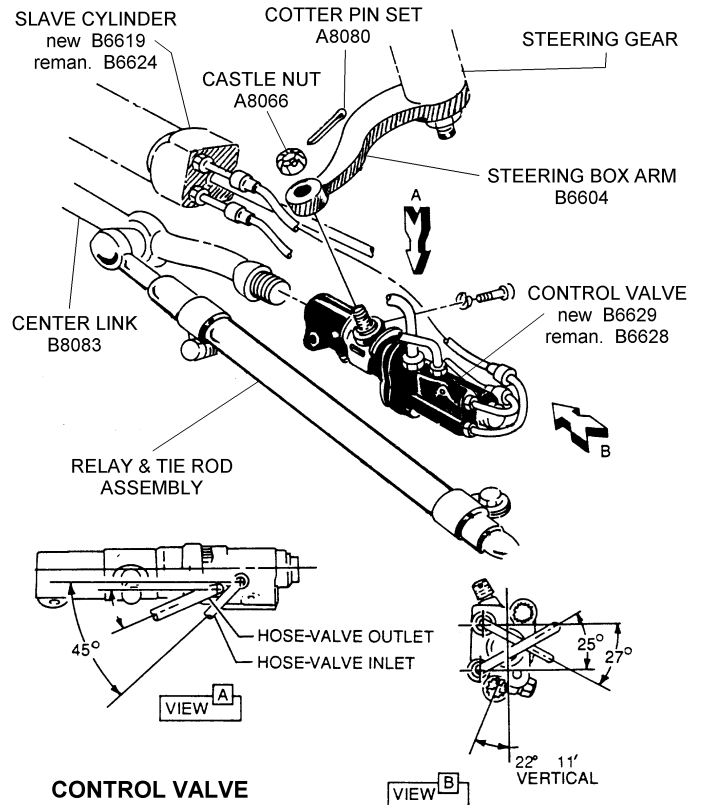
QUESTIONS ABOUT YOUR ORDER:

708-458-2500

www.ChicagoCorvette.net

POWER STEERING

Control Valves & Rebuild Parts

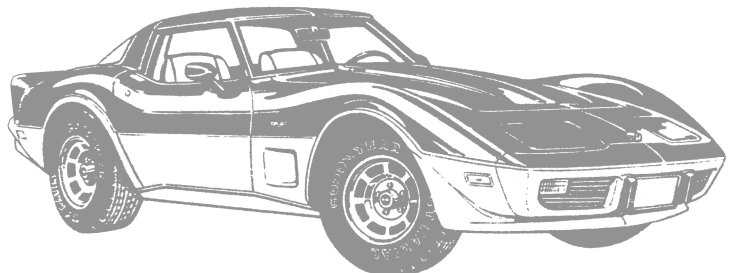
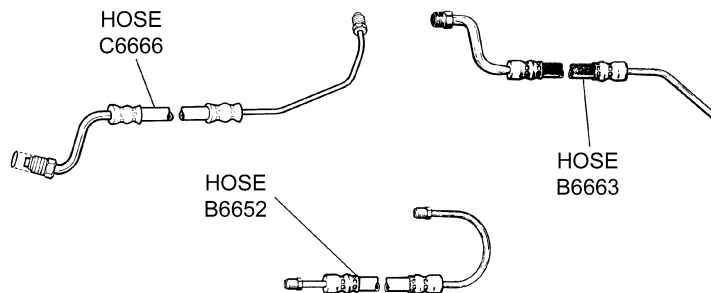


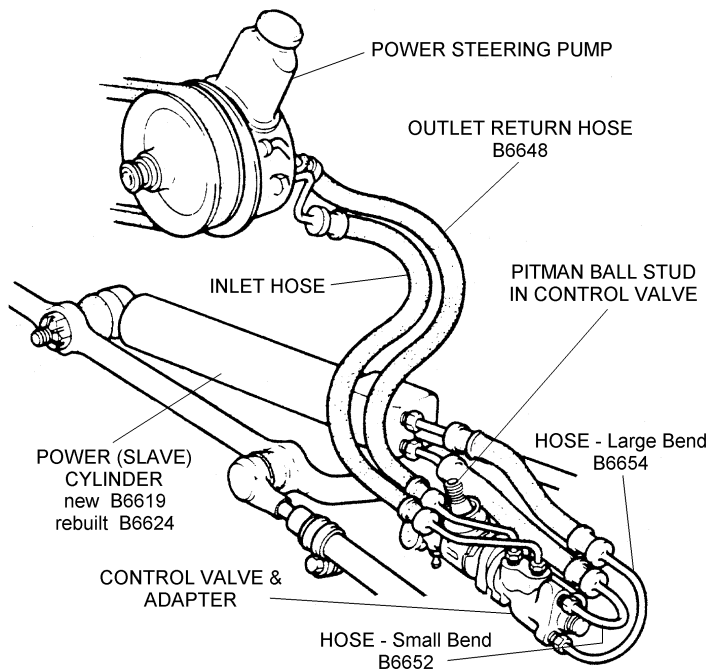
CONTROL VALVE

It is recommended that you always replace your power steering hoses when you install a new or re manufactured control valve. Hoses often look good on the outside but are decomposed on the inside. Decomposition causes rubber to break loose and flow into the control valve fluid, causing failure.

B6634	68-82	BOOT/SEAL - power steering control valve ball stud	5.95
B6638	68-82	CAP - power steering control valve end dust cap w/'C' stamped on it as original	3.95
B6629	68-82	CONTROL VALVE - power steering, (new)	197.95
B6628	68-74	CONTROL VALVE - power steering, re manufactured, Exchange, \$100 CORE CHARGE	94.95
C6609	75-82	CONTROL VALVE - power steering, w/shield, re manufactured Exchange \$100 CORE CHARGE	97.95
A8066	68-82	NUT - castle/slotted type, (ea)	1.75
B6673	68-82	REBUILD KIT - master, contents of B6632 w/ball stud	44.00
B6632	68-82	REBUILD KIT - control valve, includes seals, boot, strap, cap & castle nut	23.95
B6636	68-82	STRAP - control valve boot/seal retainer	5.50

Hoses & Steering Rack Components



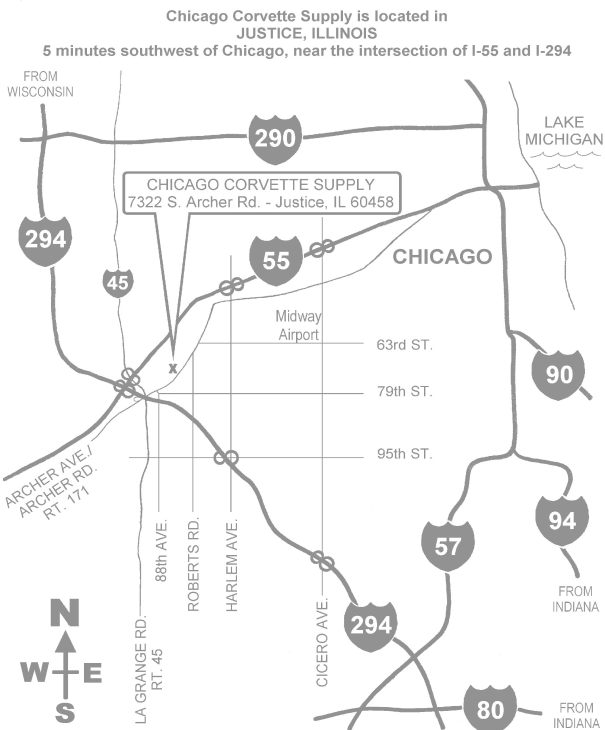


- B8000 68 CENTER/DRAG LINK - w/power steering, small diameter rod, reconditioned249.95
- B8083 68-82 CENTER/DRAG LINK - w/power steering, large diameter rod, 69-82 design, 68 replacement . 199.95
- B2250 68-82 CLAMP SET - power steering return hose, (pr)12.45
- B6611 68-76 CLIP - power steering hoses, 'C' shaped, (ea)5.95
- B6663 68-79 HOSE - pump to control valve pressure line, 327/35017.00
- B6665 68-74 HOSE - pump to control valve pressure line, w/427/45424.95
- C6666 80-82 HOSE - pump to control valve, pressure line, metric21.95
- B6648 68-82 HOSE - pump to control valve, return line19.95
- B6652 68-82 HOSE - valve to cylinder, small bend20.80
- B6654 68-82 HOSE - valve to cylinder, large bend19.95
- B6664 68-79 HOSE KIT - 327/350, (4 pc.)74.95
- B6668 68-74 HOSE KIT - 427/454, (4 pc.)72.95
- B6669 80-82 HOSE KIT - all, (4 pc.)72.95
- B6604 68-82 PITMAN ARM - steering box, w/power steering casting #374138354.95

NOTE: Rebuilt power steering pumps, valves, cylinders are re manufactured and have a 1 year guarantee on workmanship.

- B6676 68-82 PLUG SET - steering knuckle holes, (2 pc.) . .11.30

NOTE: Plug Set B6676 plugs the rear hole in steering knuckle on cars with power steering.



Power Steering Conversion Kits

1968-82 POWER STEERING CONVERSION KITS

B6670 327 / 350 CONVERSION	
B6662 396 / 427 / 454 CONVERSION	
B6659	BOLT & NUT KIT - power steering pump & alternator 1
B0440	BRACE - alternator, upper 1
B6620	BRACKET - power steering pump mount, 396 / 427 / 454 1
B0444	BRACKET - alternator mount adjustment 1
B6618	BRACKET KIT - power steering pump, 327 / 350 1
B6656	BRACKET - power steering cylinder on frame 1 1
B0438	BRACKET - alternator, 396 / 427 / 454 1
B6610	CAP - power steering pump 1 1
A8066	CASTLE NUT - control valve / slave cylinder 2 2
B8083	CENTER / DRAG LINK 1 1
B6628	CONTROL VALVE 1 1
A8080	COTTER PIN - for castle nuts 2 2
A2074	CUSHION - shaft cylinder, frame mount 2 2
	HOSE KIT - 4 pc, specify year & motor 1 1
	NUT & BOLT KITS - pump & bracket mount 1 1
B6600	NUT - power steering pump pulley (68-84) 1 1
B6604	PITMAN ARM BOX 1 1
B6616	PULLEY - power steering pump 396 / 427 / 454 1
B6614	PULLEY - power steering pump 327 / 350 1
	PUMP - power steering (specify year) 1 1
B6658	REINFORCEMENT - frame bracket slave shaft 2 2
B6624	SLAVE CYLINDER 1 1
B6642	SLEEVE - slave cylinder mount 1 1
B0442	STRAP - alternator mount 396 / 427 / 454 1
B3157	STUD - pump & alternator mount 396 / 427 / 454 1
B6644	WASHER - slave cylinder mount to frame bracket 2 2

- B6670 68-82 POWER STEERING CONVERSION KIT - 327 350 - SEE TABLE774.95
- B6662 68-82 POWER STEERING CONVERSION KIT - 427/454 - SEE TABLE [not original on 1975-82]924.95

ORDER BY PHONE:

1-800-872-2446

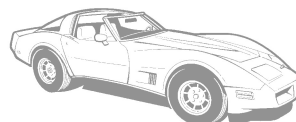


ORDER BY FAX:

708-458-2662

TECHNICAL QUESTIONS:

708-458-2500



CUSTOMER SERVICE:

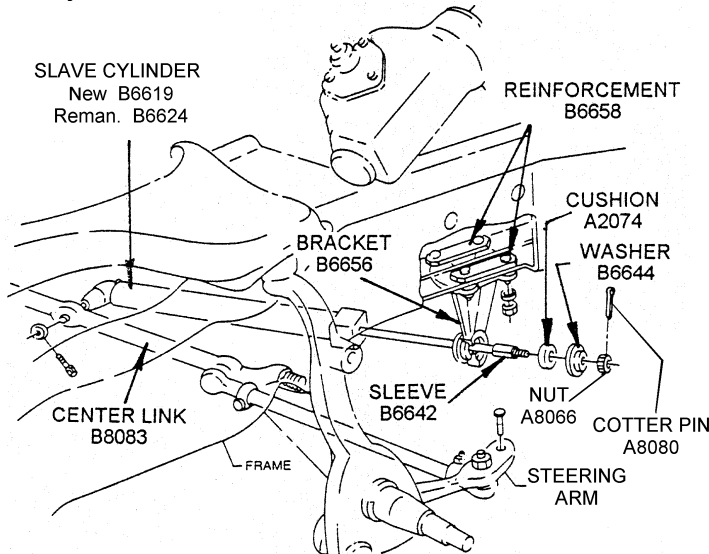
708-458-6577

QUESTIONS ABOUT YOUR ORDER:

708-458-2500

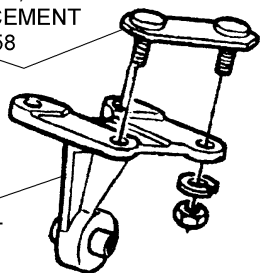
- B6608 80-82 PUMP - power steering, (rebuilt/exchange) ...77.95
- B6653 68-74 PUMP - power steering, w/o reservoir can, w/'O' rings, (rebuilt/exchange)64.95
- B6609 68-74 REBUILD KIT - power steering pump11.55
- B6661 68-74 RESERVOIR CAN - power steering pump, tear drop style, w/seals89.95
- B0442 68-74 STRAP - alternator, lower w/P.S., 427/454 ...13.00
- B6637 68-79 STUD - rear of power steering pump can, (2 req.) (ea)6.95
- B3157 68-74 STUD - power steering pump and alternator mounting & adjusting, all 427/4546.00
- B6829 68-82 TOOL - power steering pump pulley removal ...58.65

Slave Cylinder



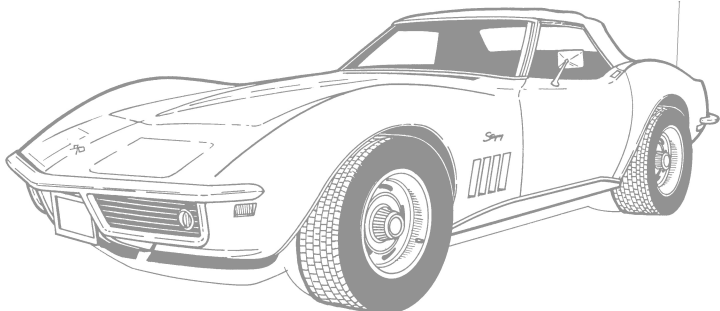
- B6656 68-82 BRACKET - power steering cylinder on frame ..44.00
- A2074 68-82 CUSHION/BUSHING - power steering cylinder mount, (2 req.)2.50
- B6639 68-82 CUSHION/BUSHING SET - power steering cylinder mount, polyurethane, (2 pc.)10.75
- A8053 68-82 DUST BOOT/GREASE SEAL - ball stud, slave cylinder3.95
- A8066 68-82 NUT - castle/slotted type, shaft end or ball stud, (ea)1.75
- B6660 68-82 REBUILD KIT - power steering slave cylinder, kit includes seals, cushions, washers, ball stud boot, castle nut & sleeve19.95

REINFORCEMENT B6658

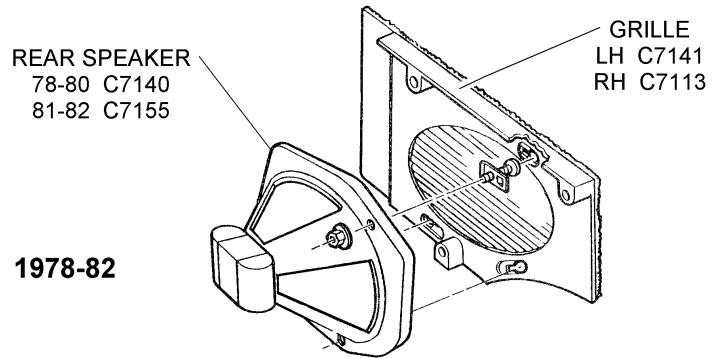


BRACKET B6656

- B6658 68-82 REINFORCEMENT - power steering cyl. frame bracket, (2 req.) (ea)8.50
- B6624 68-82 SLAVE CYLINDER - power steering (rebuilt, exch.) includes new chromed shaft97.95
- B6619 68-82 SLAVE CYLINDER - power steering, new174.95
- B6642 68-82 SLEEVE - power steering cylinder mount grommet2.50
- B6644 68-82 WASHER - power steering cylinder mount grommet, (ea)4.25
- B0709 68-82 WASHER SET - slave cylinder bracket reinforced, (4 pc.)1.00

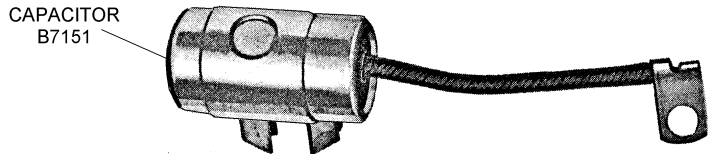


RADIO & RELATED

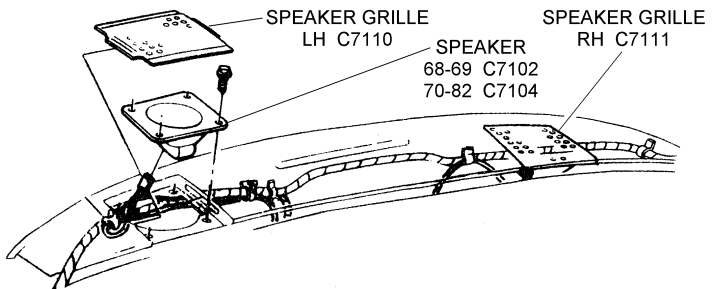


1978-82

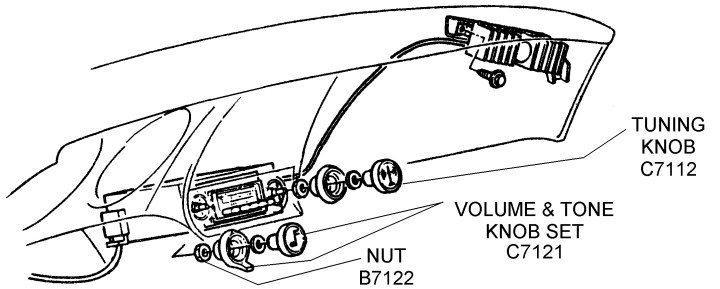
- C7157 78-82 BRACKET - rear speaker and grille, LH25.85
- C7158 78-82 BRACKET - rear speaker and grille, RH25.85
- C7117 69-82 CAPACITOR - on alternator9.95
- B2894 70-74 CAPACITOR - on coil bracket, incl. bracket ..11.95
- B7152 68-80 CAPACITOR - on heater blower motor45.00



- B7151 68-75 CAPACITOR - on voltage regulator21.10
- C7103 68-71 DRUM - overlay w/numbers, radio inner dial ..17.55
- C7105 72-75 DRUM - overlay w/numbers, radio inner dial ..17.55

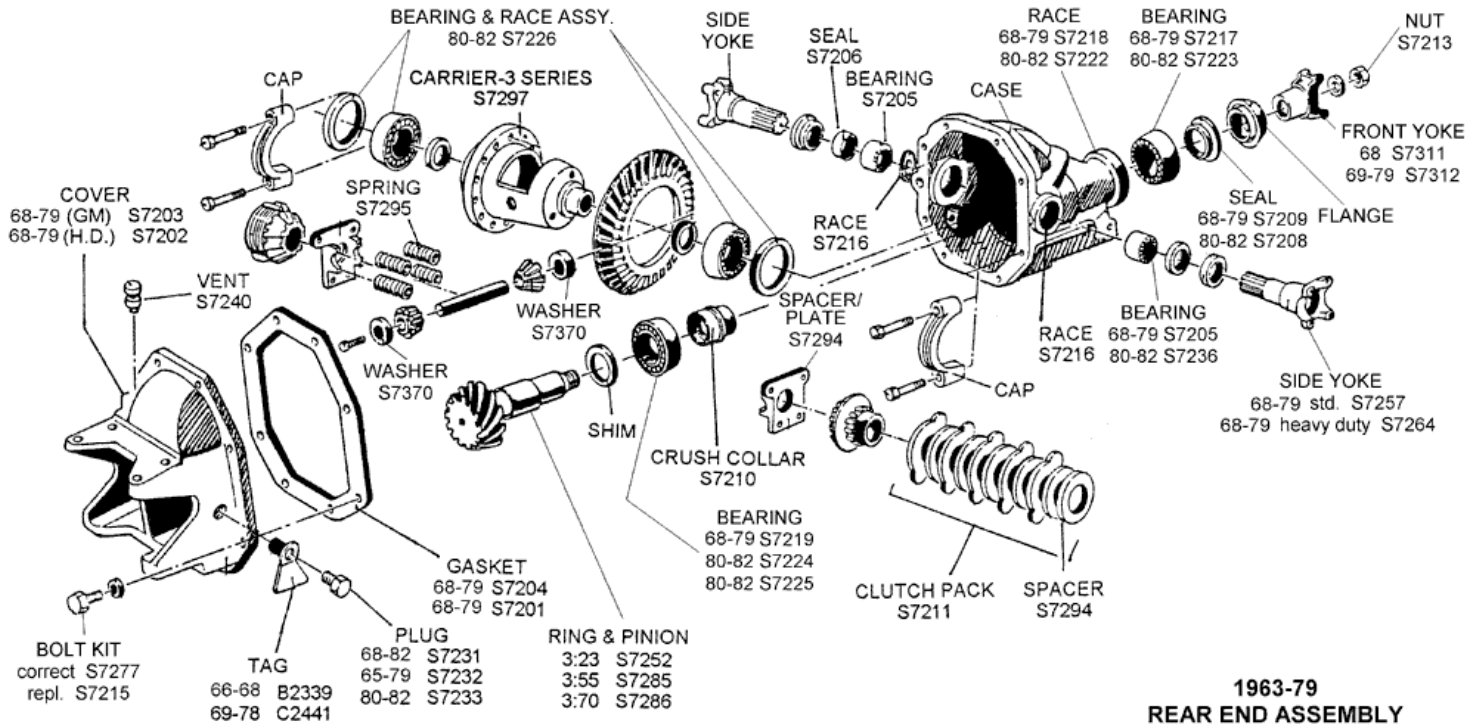


- C7110 78-82 GRILLE - radio speaker on dash, LH28.95
- C7111 78-82 GRILLE - radio speaker on dash, RH28.95
- C7120 68-70 GROUND STRAP KIT - all except side exhaust ..26.00
- C0080 69 GROUND STRAP SET - all19.70
- C0082 73-74 GROUND STRAP SET - all19.70
- C0083 75-77 GROUND STRAP SET - all19.70
- C0084 78 GROUND STRAP SET - all w/power antenna22.80
- C0085 78-80 GROUND STRAP SET - all w/o power antenna22.80
- C0086 79-80 GROUND STRAP SET - all w/power antenna24.65
- C0087 81-82 GROUND STRAP SET - all w/power antenna22.80
- C0088 81-82 GROUND STRAP SET - all w/o power antenna22.80



- C7112 72-76 KNOB - radio, outer tuning14.95
- C7109 68 KNOB SET - radio, LH & Rh59.00
- C7150 68-71 KNOB SET - radio, [1968 replacement], pr19.85
- C7121 72-76 KNOB SET - radio volume & tone21.95
- C7125 68-71 LENS - push button, radio dial AM/FM27.50
- C7126 72-76 LENS - push button, radio dial AM/FM29.50
- C7151 78-82 MICROPHONE & CABLE - CB, radio w/CB18.95
- B7122 68-76 NUT - radio retainer around volume & tuning controls, (2 req.) (ea.)1.60
- C7141 78-82 PANEL - grille, radio speaker, LH18.95
- C7113 78-82 PANEL - grille, radio speaker, RH rear26.00
- C7143 78-82 PIG TAIL KIT - radio harness, 3 plug w/wire ..7.50
- C7101 68-73 PLATE - radio delete175.00
- C7107 78-82 REPAIR KIT - radio harness, re-installation of OEM radio, 3 connectors w/pigtails for under dash harness8.95
- C7119 78-82 SCREW SET - rear speaker grille, (4 pc.)2.65
- C7106 69-71 SPACER SET - radio knobs, w/stereo18.95

NOTE: C7106 can be also be used on non-stereo radios.



**1963-79
REAR END ASSEMBLY**

C7102 68-69	SPEAKER - on kick panel, w/mount bracket, (ea)	27.95
C7104 70-82	SPEAKER - in dash, each	19.95
C7140 78-80	SPEAKER - rear, 6 x 9	21.95
C7155 81-82	SPEAKER - rear	27.00

S7232 68-79	PLUG - rear end cover filler, course thread	.19.95
S7233 80-82	PLUG - rear end cover filler, course thread	12.45
S7240 68-79	VENT - differential	5.90

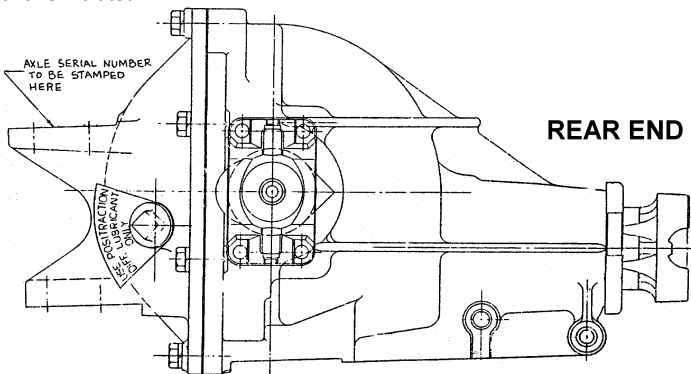
STATIC COLLECTOR S8017



S8017 68-82	STATIC COLLECTOR - inserts in front hub grease caps, (ea)	16.55
-------------	---	-------

REAR END / DIFFERENTIAL

Cover & Related



S7215 68-79	BOLT & WASHER KIT - rear end cover mounting, (16 pc.)	7.00
S7277 68-79	BOLT & WASHER KIT - rear end cover mounting, 'double circle' head mark, (16 pc.)	10.25
S7290 80-82	COVER - rear end, aluminum, reconditioned/original	175.00
S7202 68-77E	COVER - rear end, heavy duty	104.95
NOTE: 1968-79 heavy duty rear end covers are reinforced to prevent cover breakage. For 78-79 applications, check spring width. This cover fits 2 1/4" wide leaf spring and has 1/2" spring retaining bolt holes. It can be used on 1977L-1979 by changing the spring and bolts.		
S7203 68-79	COVER - rear end, standard (GM) 1968-77E replacement, 1977L-79 as original, accepts 21/2" spring with 7/16" retainer bolts	148.75
B7280 68-77E	COVER - rear end, reconditioned original	124.95
S7291 77L-79	COVER - rear end, reconditioned original	75.00
S7204 68-82	GASKET - rear end cover	4.95
S7234 68-79	GASKET - rear end filler plug	3.95

Rear Ends / Restored & Re manufactured/Exchange Outright or R&R

There are no better rebuilt units available anywhere! Rebuilt rear differentials contain all new seals, bearings and posi clutch plates. Standard rebuild rear differentials contain original ring and pinions that are within manufacturer's specifications for new gears. Rear ends listed are priced without side yokes or rear end covers. One year warranty. All prices are exchange, core charge appears on the line after description of rear end. Core charges are refundable upon return and examination of your core (used rear end). Full credit will only be issued if the case, ring & pinion, and posi carrier are reusable. Core credits will be reduced on rear ends with damaged components. When ordering rear ends with new ring and pinions, there is no additional charge if the rear end you are returning has a bad ring & pinion. (Does not include rear end cover or side yokes.)

S7265 68-79	INSTALLATION KIT - (for re manufactured rear ends, includes lubricant, posi traction additive & rear cover gasket)	20.00
S7244 68-79	REAR END - 3:08 ratio, restored w/original ring & pinion, exchange	599.95
S7246 68-79	REAR END - 3:36 ratio, restored w/original ring & pinion, exchange	549.95
S7245 68-79	REAR END - 3:55 ratio, restored w/original ring & pinion, exchange	549.95
S7248 68-79	REAR END - 3:70 ratio, restored w/original ring & pinion, exchange	549.95
S7250 68-79	REAR END - 4:11 ratio, restored w/original ring & pinion, exchange	549.95

NOTE: If your rear end is sent to us in advance, your carrier will be used. If we send a unit out to you before receiving yours, a 3 series carrier & spacer will be used with 4:11 gear.

NOTE: If your rear end is sent to us in advance, your carrier will be used. If we send a unit out to you before receiving yours, a 3 series carrier & spacer will be used with 4:11 gears. 1968-79 4:56, 4:88 and other low gear ratio rear ends are available - CALL!

S7278 68-79	REAR END - 3:23 ratio, w/new ring & pinion installed, exchange	874.95
S7201 69-79	REAR END - 3:36 ratio w/new ring & pinion installed, exchange	874.95
S7249 68-79	REAR END - 3:55 ratio, w/new ring & pinion installed, exchange	874.95
S7247 68-79	REAR END - 3:70 ratio, w/new ring & pinion installed, exchange	874.95
S7251 68-79	REAR END - 4:11 ratio, w/new ring & pinion installed, exchange	874.95
S7259 80-82	REAR END - 2:72 ratio, restored w/original ring & pinion, exchange	599.95
S7253 80-82	REAR END - 2:87 ratio, restored w/original ring & pinion, exchange	599.95
S7255 80-82	REAR END - 3:07 ratio, restored w/original ring & pinion, exchange	599.95

Put some real performance into your 80-82 with part # S7267 & S7268 by raising your rear end ratio!

S7266 80-82	REAR END - ratio 3:31, w/new ring & pinion, exchange	874.95
S7267 80-82	REAR END - ratio 3:55, w/new ring & pinion, exchange	874.95
S7268 80-82	REAR END - ratio 3:70, w/new ring & pinion, exchange	874.95

exchange874.95

seals & more - see chart184.95

Rebuild Kits & Parts

A7218	68-79	BEARING - carrier, side, (2 req.) (ea)	20.60
S7205	68-79	BEARING - side yoke, (2 req.)	15.95
S7236	80-82	BEARING - side yoke, (2 req.)	23.95
S7219	68-79	BEARING - pinion, inner	27.95
S7217	68-79	BEARING - pinion, outer	25.75
S7226	80-82	BEARING & RACE ASSEMBLY - carrier, (2 req.) (ea)	15.30
S7224	80-82	BEARING - pinion, inner	13.65
S7223	80-82	BEARING - pinion, outer	17.80
B5232	68-79	CARRIER - ring gear, non posi, 3 series, used	75.00
S7353	68	CASE - rear end, original, w/correct casting dates & production codes	395.00
S7354	69	CASE - rear end, original, w/correct casting dates & production codes	395.00
S7356	70	CASE - rear end, original, w/correct casting dates & production codes	395.00
B7287	68-79	CASE - rear end, used	295.00
S7324	80-82	CASE - rear end / used, reconditioned, aluminum	225.00
S7305	80-82	CLIP - for cross pin, 'C' type, (2 req.) (ea)	4.95
S7211	68-79	CLUTCH PACK - posi	158.00
S7207	80-82	CLUTCH PACK - posi	74.95
S7212	68-79	CROSS PIN - posi carrier	33.30
S7229	80-82	CROSS PIN - posi carrier	98.00
S7210	68-79	CRUSH COLLAR/SPACER	11.00
S7306	68-79	DEFLECTOR - rear end front yoke, press-in	10.95
S7243	68-79	KIT - posi carrier internal components, used spider gears, springs, plates, pin, etc.	89.95
S7241	68-82	LUBRICANT - rear end, quart, (2 quarts req.) (ea)	5.00
S7242	68-82	LUBRICANT ADDITIVE - posi-traction rear end fluid	16.30
S7213	68-79	NUT - pinion	8.25
S7297	68-79	POSI CARRIER/CASE - 3 series (2:72 - 3:70 ratios)	424.95
S7298	68-79	POSI CARRIER/CASE - 4 series (4:11 & up ratios), used	374.95
S7325	80-82	POSI CARRIER/CASE	195.00
S7220	68-79	RACE - pinion, inner	9.65
S7218	68-79	RACE - pinion, outer	9.95
S7225	80-82	RACE - pinion, inner	7.05
S7222	80-82	RACE - pinion, outer	18.95
S7216	68-79	RACE - side yoke, (2 req.)	9.95

1968-79 REAR END REBUILD KITS

S7239	68-79	REBUILD KIT		
S7214	68-79	REBUILD KIT		
S7219	68-79	BEARING - pinion, inner	1	1
S7217	68-79	BEARING - pinion, outer	1	1
S7205	68-79	BEARING - side yoke	2	2
S7218	68-79	BEARING - carrier, side	2	2
S7210	68-79	CRUSH COLLAR	1	1
S7204	68-79	GASKET - rear end cover	1	1
S7204	68-79	LUBRICANT (grease) - rear end, quart	2	2
S7242	68-79	POSI-TRACTION ADDITIVE	1	1
S7211	68-79	POSI CLUTCH PACK	1	
S7220	68-79	RACE - pinion, inner	1	1
S7218	68-79	RACE - pinion, outer	1	1
S7216	68-79	RACE - carrier, side	2	2
S7209	68-79	SEAL - pinion, front	1	1
S7206	68-79	SEAL - side yoke	2	2

S7239	68-79	REBUILD KIT - non-posi rear end / bearings, races, seals & more - see chart	159.95
S7214	63-67	REBUILD KIT - posi rear end / bearings, races seals, posi pack & more - see chart -all 63/67 with fine spline yoke [not 63/4 with course spline]	279.95
S7237	80-82	REBUILD KIT - rear end / bearing, races,	

1980-82 REAR END REBUILD KITS

S7299	80-82	REBUILD KIT - rear end		
S7237	80-82	REBUILD KIT - rear end		
S7236	80-82	BEARING - side yoke (2 req.)	2	2
S7223	80-82	BEARING - pinion, front	1	1
S7224	80-82	BEARING - pinion, rear	1	1
S7226	80-82	BEARING & RACE - side carrier (2 req.)	2	2
S7204	80-82	GASKET - rear end cover	1	1
S7241	80-82	LUBRICANT (grease) - rear end, quart	2	2
S7207	80-82	POSI CLUTCH PACK		1
S7242	80-82	POSI-TRACTION ADDITIVE	1	1
S7222	80-82	RACE - front pinion bearing	1	1
S7225	80-82	RACE - rear pinion bearing	1	1
S7208	80-82	SEAL - pinion, front	1	1
S7230	80-82	SEAL - side yoke (2 req.)	2	2

S7299	80-82	REBUILD KIT - rear end / bearing, races, seals, posi-pack & more - see chart	234.95
S7315	68-79	RESTORATION SERVICE - posi carrier, center pin hole repaired	159.95
S7270	68-79	RETAINER/SNAP RING - side yoke, (2 req.) (ea)	1.00
S7293	68-79	SCREW & BOLT- posi carrier pin retainer	16.45
S7209	68-79	SEAL - pinion, front	6.50
S7206	68-79	SEAL - side yoke, (2 req.) (ea)	7.95
S7208	80-82	SEAL - pinion, front	10.55
S7230	80-82	SEAL - side yoke, (2 req.) (ea)	8.75
S7321	68-79	SHIM - posi carrier, internal, .003	7.50
S7322	68-79	SHIM - posi carrier, internal, .007	6.90
S7323	68-79	SHIM - posi carrier, internal, .010	7.50
S7378	68-79	SHIM KIT - differential	10.60
S7379	68-79	SHIM KIT - differential, .070 - .074	12.25
S7380	68-79	SHIM KIT - differential, .076 - .080	10.95
S7381	68-79	SHIM KIT - differential, .082 - .086	12.20
S7382	68-79	SHIM KIT - differential, .088 - .094	12.20
S7383	68-79	SHIM KIT - differential, .048 - .054	15.65
S7320	68-79	SPACER - ring gear	41.00

NOTE: Spacer S7320 allows installation of 4 series ring & pinion on 3 series carrier.

S7294	68-79	SPACER/PLATE - posi clutch	11.75
S7295	68-79	SPRING - posi plate	4.95
S7240	68-79	VENT - differential	5.90
S7355	68-80	VENT - differential, metal	26.00
S7198	68-79	WASHER - behind pinion nut	6.60
S7370	68-79	WASHER - spyder gear in posi carrier, (2 req.) (ea)	11.50
S7309	68-70	YOKE - rear end, front, fine spline	99.00
S7312	71-79	YOKE - rear end, front, fine spline, reconditioned	100.00

Ring & Pinions

S7228	68-79	RING & PINION - 3:08 ratio, used, guaranteed	135.00
S7100	68-79	RING & PINION - 3:36 ratio, used, guaranteed	160.00
S7175	68-79	RING & PINION - 3:55 ratio, used, guaranteed	150.00
S7176	68-79	RING & PINION - 3:70 ratio, used, guaranteed	225.00
S7177	68-79	RING & PINION - 4:11 ratio, used, guaranteed	245.00
S7288	68-79	RING & PINION - 4:56 ratio, used, guaranteed	250.00
S7178	63-79	RING & PINION - 4:88 ratio, used, guaranteed	250.00
S7283	68-79	RING & PINION - 3:08 ratio	394.95
S7252	68-79	RING & PINION - 3:23 ratio	449.95
S7284	68-79	RING & PINION - 3:36 ratio	394.95
S7285	68-79	RING & PINION - 3:55 ratio	394.95
S7286	68-79	RING & PINION - 3:70 ratio	374.95
S7287	68-79	RING & PINION - 4:11 ratio	424.95
S7111	80-82	RING & PINION - 2:72 ratio, used, guaranteed	165.00
S7275	80-82	RING & PINION - 3:07 ratio	412.00
S7271	80-82	RING & PINION - 3:55 ratio	379.95
S7272	80-82	RING & PINION - 3:70 ratio	379.95

- S7269 80-82 RING & PINION - 3:31 ratio379.95
- NOTE: Ring & Pinion S7269, 71, 72 are non-stock ratios for extra performance.**
- S7254 68-79 RING & PINION - 3:90 ratio374.95

Side Yokes

- S7104 68-79 BOLT - heavy duty yoke cap, 4 required, each2.60
- S7103 68-79 CAP/RETAINER - heavy duty side yoke, (2 req.) (ea)22.95
- S7270 68-79 RETAINER/SNAP RING - side yoke, (2 req.) (ea)1.00
- S7206 68-79 SEAL - side yoke, (2 req.) (ea)7.95
- S7230 80-82 SEAL - side yoke, (2 req.) (ea)8.75
- S7106 68-79 SHIELD/DEFLECTOR - side yoke, slides on yoke3.75
- S7263 68-79 SIDE YOKE - standard, U-bolt style150.00
- S7262 68-79 SIDE YOKE - standard, used, (subject to availability)109.95
- S7102 68-79 SIDE YOKE - heavy duty159.95
- S7264 68-79 SIDE YOKE - heavy duty threaded cap type, reconditioned, (exch.)89.95
- S7257 68-79 SIDE YOKE - standard U-bolt type, reconditioned, (exch.)86.50
- S7260 80-82 SIDE YOKE - auto. transmission, LH161.20
- S7261 80-82 SIDE YOKE - auto. transmission, RH165.60
- S7281 80-82 SIDE YOKE - manual transmission, LH215.00
- S7282 80-82 SIDE YOKE - manual transmission, RH185.50
- S7319 80-82 SIDE YOKE - auto trans, LH, used84.95
- S7326 80-82 SIDE YOKE - auto trans, RH, used89.95

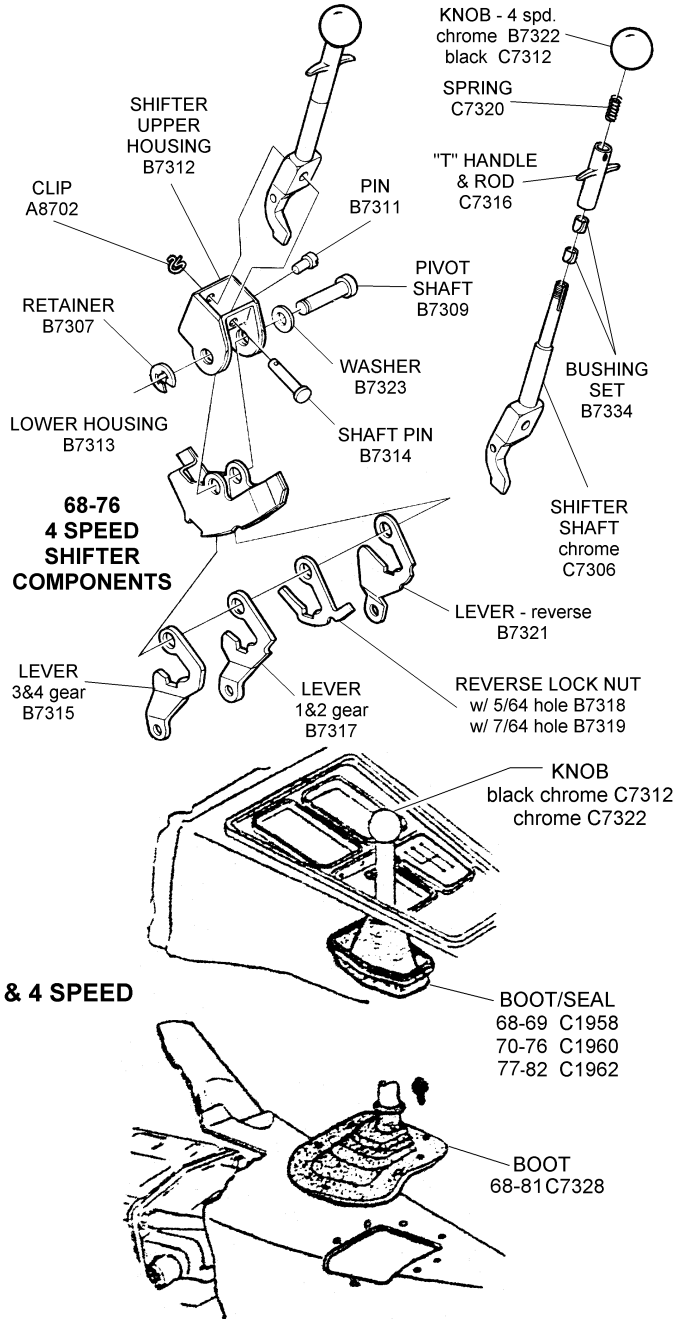
NOTE: Reconditioned differential yokes have tool steel inserts pressed in to eliminate the typical wear problems. Differential yokes which have bent or twisted splines or U-joint cradles, or are heavily pitted are not acceptable cores or exchanges.

- S7300 80-82 SIDE YOKE - auto trans. (1/4' bolts), LH (short yoke), reconditioned (exch.) w/hardened end installed174.95
- S7301 80-82 SIDE YOKE - auto trans. (1/4' bolts), RH (long yoke), reconditioned (exch.) w/hardened end installed174.95
- S7302 80-81 SIDE YOKE - manual trans. (5/16' bolts), LH (short yoke), reconditioned w/hardened end installed, (exch.)174.95
- S7304 80-81 SIDE YOKE - manual trans. (5/16' bolts), RH (long yoke), reconditioned hardened end installed, (exch.)174.95
- S7350 80-82 SIDE YOKE - auto trans, 1/4' bolts, long yoke, LH, used75.00
- S7349 80-82 SIDE YOKE - auto trans, 1/4' bolts, long yoke, RH, used75.00
- S7352 80-81 SIDE YOKE - auto trans, 5/16' bolts, long yoke, LH, used75.00
- S7351 80-81 SIDE YOKE - auto trans, 5/16' bolts, long yoke, RH, used75.00
- S7101 68-79 SIDE YOKE KIT - heavy duty yoke with 2 heavy duty caps, 4 bolts, and snap ring205.25

NOTE: The Ultimate Heavy Duty Rear End Yoke (S7101 & S7102) Wonder why your yokes wear out on your car or vibrate at high speed? It's because OEM rear end yokes are always as they're designed to be. We have the answer. Our new heavy duty yokes are drop forged out of air craft grade steel for extra strength and are heat treated. They are machined to .001 tolerances that the General couldn't achieve. They are guaranteed for life!

- S8166 68-79 STRAP - standard side yoke, 'U' type , incl. bolt10.35

SHIFTER



3 & 4 SPEED

**ORDER BY PHONE:
1-800-872-2446**

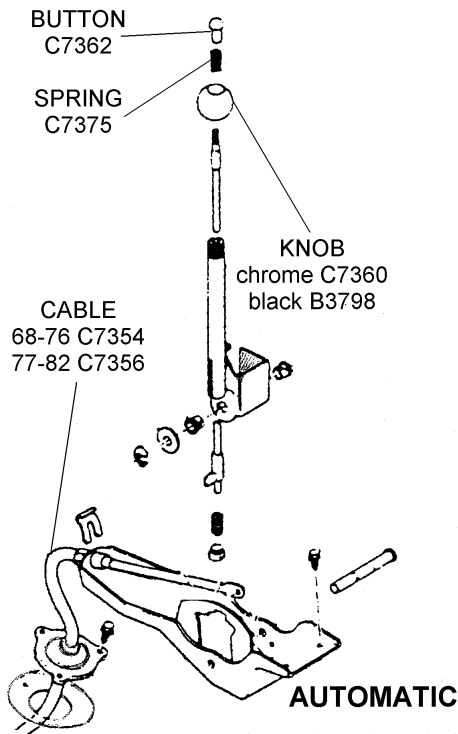
**ORDER BY FAX:
708-458-2662**

**TECHNICAL QUESTIONS:
708-458-2500**

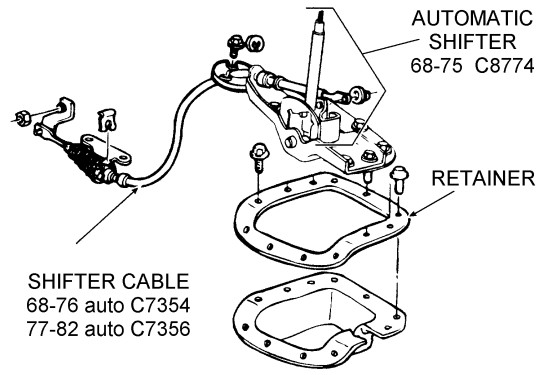
**CUSTOMER SERVICE:
708-458-6577**

**QUESTIONS ABOUT YOUR ORDER:
708-458-2500**

- B7351 68-81 BOLT & WASHER KIT - 4 speed shifter mount, 4 pc.2.25
- C1958 68-69 BOOT - shifter, 3 & 4 speed, rubber w/steel insert36.95
- NOTE: Boot C1958 is a replacement for 1968 which only had a single fold.**
- C1915 68-76 BOOT - manual shift, leather, 68-69 repl., (specify color)36.95
- C1960 70-76 BOOT - 3 & 4 speed shifter, black leather as original, 68-69 repl.29.95
- C1962 77-82 BOOT - 4 speed & automatic shifter, black leather as original29.95
- C1917 77-82 BOOT - 4 speed & automatic shifter, (specify color)36.95
- C7328 68-81 BOOT/SEAL - lower, 3 or 4 speed shifter, w/retainer35.85
- C7382 68-79 BRACKET - shifter mount, reconditioned59.95
- C8783 69-75 BRACKET - steering column lock cable to 4 speed trans., front, attaches by upper front side cover bolt9.00
- C8782 69-75 BRACKET - 4 speed transmission control lock cable, rear10.10
- B7334 68-81 BUSHING SET - 4 speed shifter T-handle, (pr)4.50
- C7374 69-75 CABLE - 4 speed trans. control lock, (column to transmission)39.95



C7376 69-76 CABLE - auto. transmission control lock, (column to transmission)41.75



C7354 68-76 CABLE - automatic shift control113.25
 C7356 77-82 CABLE - automatic shift control59.00
 A7302 68-81 CLEVIS & PIN KIT - 3/4 speed shifter linkage1.00
 A8702 68-82 CLIP - retainer, shifter rod, 'G' type1.00
 B1338 68-82 CLIP SET - park brake cable 'Mickey Mouse', (4 req.) (pr)3.40
 C4757 68 EMBLEM - console trim plate25.80
 C7371 68-76 HANDLE - shifter, replica of stock, fits on Hurst shifter assembly, w/chrome knob84.95
 C7372 68-76 HANDLE - shifter, replica of stock, fits on Hurst shifter assembly, w/black knob84.95

NOTE: C7371 and C7372 use stock shift boots.

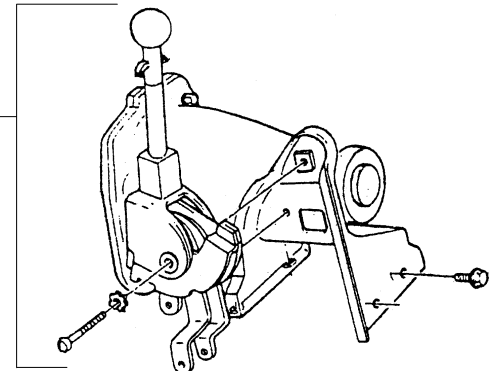
C7379 77-82 HANDLE - shifter, replica of stock, fits Hurst shifter assembly, w/chrome knob84.95
 C7380 77-82 HANDLE - shifter, replica of stock, fits Hurst shifter assembly, w/black knob84.95
 C7316 68-76 HANDLE - w/rod, 4 speed shifter reverse lockout, 'T' shape18.50
 C7318 77-81 HANDLE - 4 speed shifter reverse lockout, 'T' shape23.35
 B7313 68-76 HOUSING - shifter, lower, 4 speed35.45
 B7312 68-76 HOUSING - shifter, upper, 4 speed48.30
 B7398 68-82 KNOB - automatic shifter, black chrome, metal18.60
 C7360 68-82 KNOB - automatic shifter, chrome18.00
 C7322 68-70 KNOB - 3 speed chrome, for shifter17.30
 C7312 68-82 KNOB - 3 & 4 speed shifter, black chrome23.75
 B7322 68-82 KNOB - 4 speed shifter, 68-70 3 speed, chrome16.80

NOTE: Black chrome shift knob was originally used on all 1968-80 3 & 4 speeds.

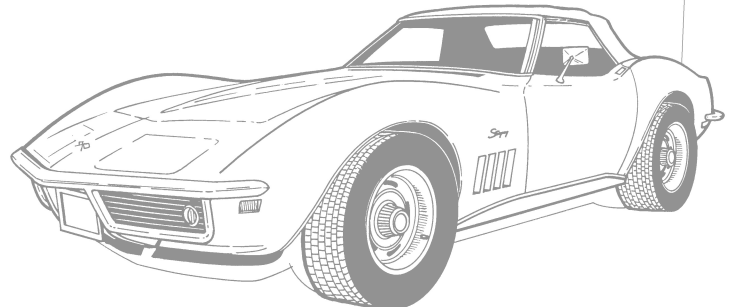
C5162 69L-71 LENS - automatic shifter indicator, (green) . 11.00
 B7315 68-76 LEVER - 4 speed shifter, 3rd & 4th gear14.05
 B7317 68-76 LEVER - 4 speed shifter, 1st & 2nd gear15.70
 B7321 68-76 LEVER - 4 speed shifter, reverse lever14.05
 B7318 68-76 LEVER - 4 speed shifter, reverse lockout w/ 5/64 hole9.00

B7319 68-76 LEVER - 4 speed shifter, reverse lockout w/ 7/64 hole9.00
 C7308 69-73 LINKAGE KIT - 4 speed shifter, 3 rods, levers on trans. & lock pins83.30
 C7340 68-70 LINKAGE KIT - 3 speed shifter51.00
 C7377 74-76 LINKAGE KIT - (rods) 4 speed Borg Warner84.00
 C7378 77-82 LINKAGE KIT - (rods) 4 speed Borg Warner81.40
 B7320 68 LINKAGE KIT - 4 speed shifter rods, (Muncie transmission)69.95
 B7311 68-76 PIN - 4 speed reverse lockout5.15
 B7314 68-76 PIN - 4 speed shifter shaft7.60
 C7362 68-82 PUSH BUTTON - automatic shift knob12.30
 B7389 68-81 RETAINER - shifter lever pin, 3 or 4 speed . . .3.55
 C5380 77-82 SCREW SET - console side trim panels, (4 pc.)2.95
 C3404 68-76 SCREW SET - shifter boot, (4 pc.)2.95
 C3466 77-82 SCREW SET - shifter boot, (4 pc.)2.95
 B7309 68-76 SHAFT - 4 speed pivot7.85
 C7306 68-76 SHAFT - main, 4 speed shifter/chrome93.05
 C7381 77-81 SHAFT - main, 4 speed shifter112.95
 C8774 68-75 SHIFTER - automatic transmission169.95
 C8775 76-82 SHIFTER - automatic transmission149.95
 C7338 68-70 SHIFTER - 3 speed, w/knob259.00

SHIFTER
 68-76 4 spd. C7302
 77-81 4 spd. C7393
 68-70 3 spd. C7338

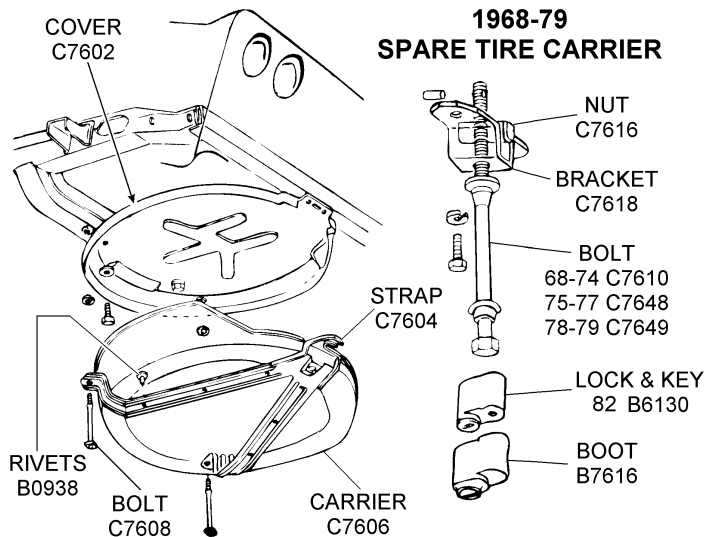


C7302 68-76 SHIFTER - 4 speed w/knob239.60
 C7393 77-81 SHIFTER - 4 speed, /knob248.35
 C7304 68-76 SHIFTER ASSEMBLY - all w/automatic transmission (rebuilt)149.95
 C7309 77-82 SHIFTER ASSEMBLY - all w/automatic transmission, rebuilt169.95
 C7398 68 SHIFTER ASSEMBLY - Hurst, incl. linkage, w/replica of original style handle & black knob, for 63-68 Muncie transmissions419.95
 C7399 68 SHIFTER ASSEMBLY - Hurst, incl. linkage, w/replica of original style handle & chrome knob, for 63-68 Muncie transmissions419.95
 C7300 68-76 SHIFTER ASSEMBLY - Hurst, incl. linkage, w/replica of original style handle & black knob, for 69-79 Muncie transmissions419.95
 C7301 68-76 SHIFTER ASSEMBLY - Hurst, incl. linkage, w/replica of original style handle & chrome knob, for 69-79 Muncie transmissions419.95
 C7303 77-79 SHIFTER ASSEMBLY - Hurst, incl. linkage, w/replica of original style handle & black knob, for 77-79 Muncie or Borg Warner trans419.95
 C7305 77-79 SHIFTER ASSEMBLY - Hurst, incl. linkage, w/replica of original style handle & chrome knob, for 77-79 Muncie or Borg Warner trans419.95
 C1969 68-76 SLIDE (SEAL) KIT - automatic shift, upper & lower, black plastic, (pr)12.75
 C7375 68-82 SPRING - automatic knob shift button4.95
 C7320 68-76 SPRING - reverse lockout199.95
 C7321 77-81 SPRING - reverse lockout4.40
 B7323 68-76 WASHER - 4 speed shifter pivot shaft1.00

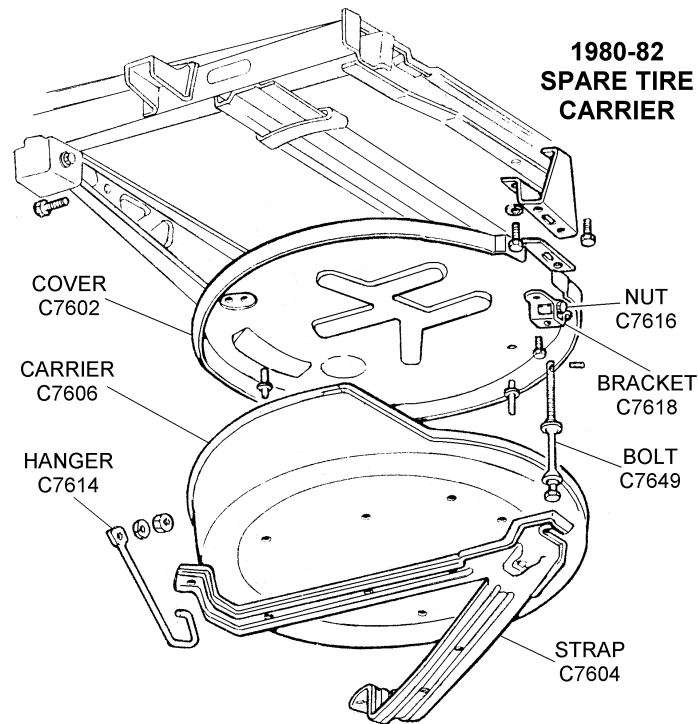


VISIT US ON THE WEB AT
www.ChicagoCorvette.net

SPARE TIRE CARRIER, JACK & RELATED

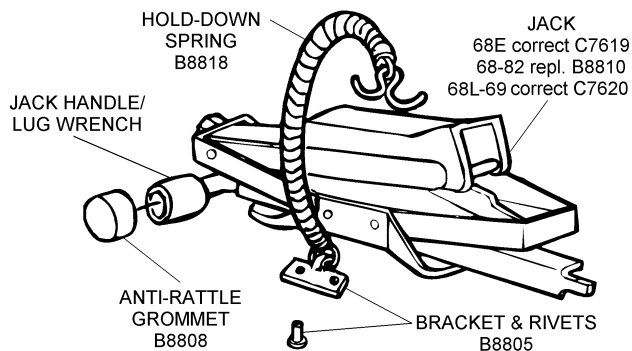


**1968-79
SPARE TIRE CARRIER**



**1980-82
SPARE TIRE CARRIER**

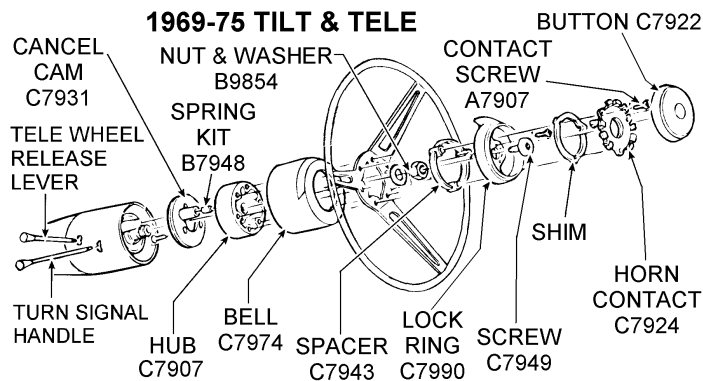
C7608 68-79	BOLT SET - front spare tire carrier bolt, pr	31.95
C7610 68-74	BOLT - lock, rear tire carrier	24.10
C7648 75-77	BOLT - lock, rear tire carrier	22.00
C7649 78-82	BOLT - lock, rear tire carrier	25.25
B7628 68-79	BOLT KIT - spare tire lock bracket, 4 pc.	3.95
B7616 68-82	BOOT - spare tire lock	8.95
B8805 68-82	BRACKET KIT - jack hold-down mount, w/rivets, 10 pc.	13.75
C7618 68-79	BRACKET - rear spare tire carrier lock bolt	10.50
C7606 68-82	CARRIER - spare tire - fiberglass / used original	199.95
C7602 68-82	COVER - spare tire carrier	77.95
B8808 68-82	GROMMET - jack handle, prevents rattling against jack	4.95
B8877 68-82	HANDLE - jack / lug wrench, 3 hole	25.90
C7614 80-82	HANGER - spare tire carrier., 2 required, ea.	12.95
C7619 68E	JACK - w/handle, dated - specify month & year	184.95
C7620 68L	JACK - w/handle, dated - specify month & year	186.00



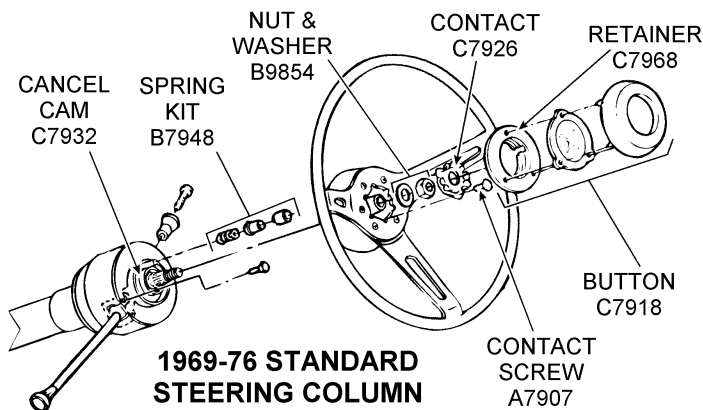
B8810 68-82	JACK - correct for 1978-82, 68-77 replacement	279.95
C6016 77-82	LAMP ASSEMBLY - spare tire carrier	14.95
B6130 68-82	LOCK & KEY - spare tire	44.85
B6105 68-82	LOCK RE-KEYING - spare tire, to your current door lock, send us your original key or code & we will get a new spare tire lock keyed to match, includes 2 keys	58.95
C7616 68-79	NUT - rear spare tire carrier lock bolt	7.85
B0938 68-75	RIVETS - spare tire carrier, large flat head, 5/8" long, 50 pc.	6.05
B8818 68-82	SPRING - jack hold down	9.50
C7604 68-82	STRAP - spare tire, 'Y' shape, reconditioned	114.95

STEERING COLUMN, WHEEL & RELATED

Steering Column



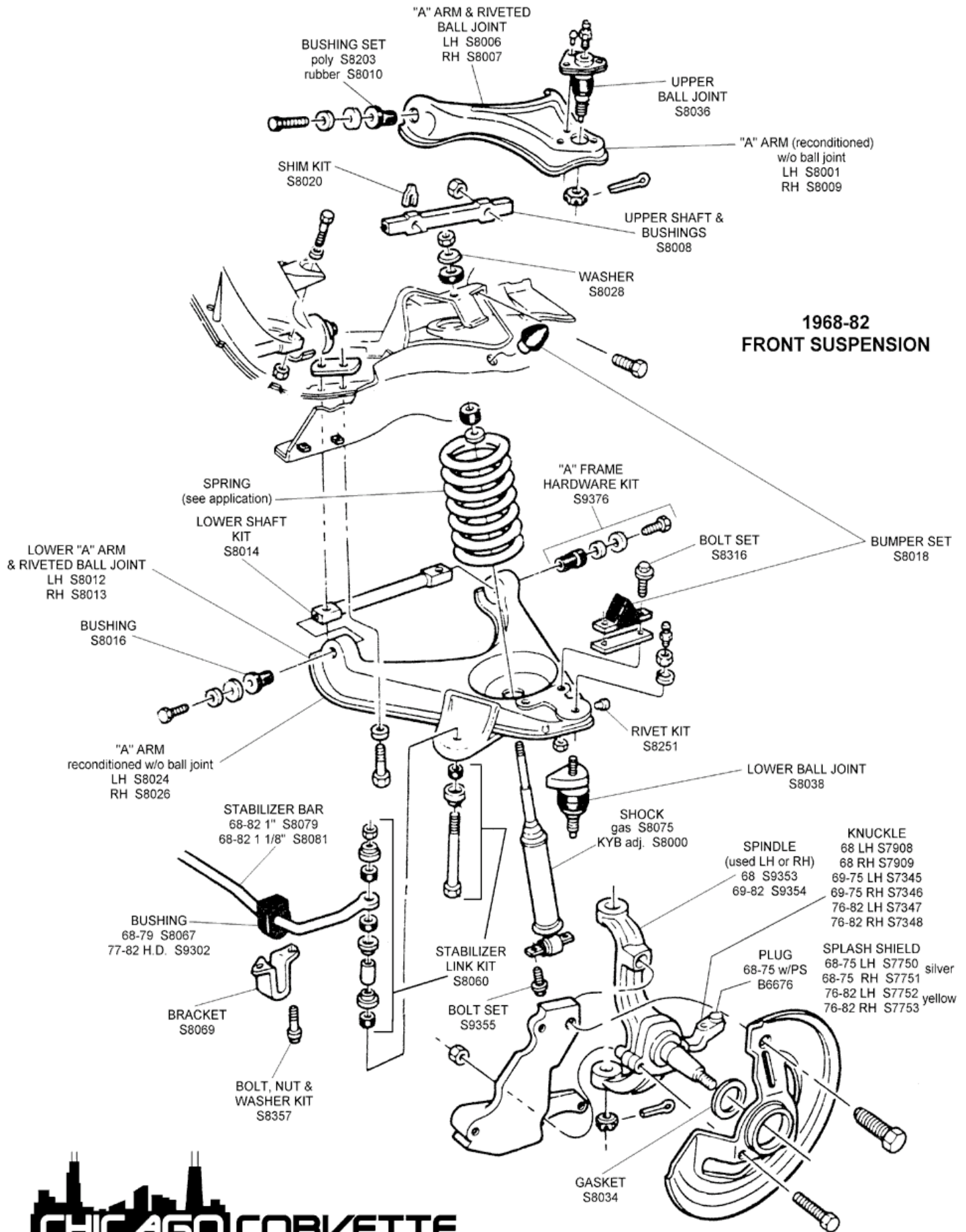
1969-75 TILT & TELE

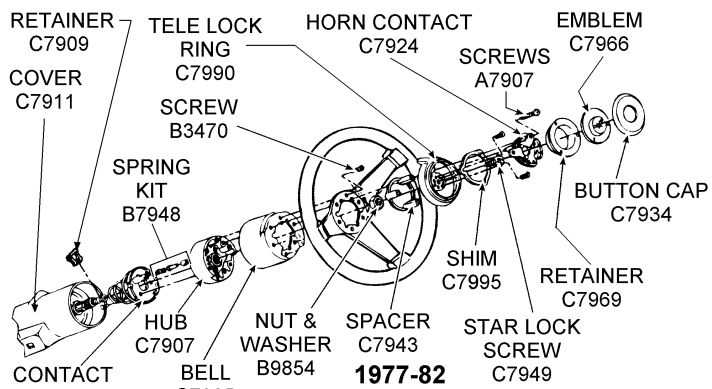


1969-76 STANDARD STEERING COLUMN

VISIT US ON THE WEB AT
www.ChicagoCorvette.net

CHICAGO CORVETTE SUPPLY
We're your 1-Stop-Shop for 1953-82 Corvette parts and accessories!



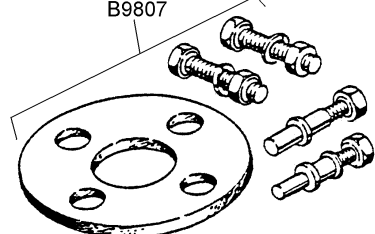


1977-82 TILT & TELE

B8310 68	BEARING - steering column, lower	31.00
B7905 68	BEARING - steering column, upper	75.00
C7912 69-82	BEARING - standard steering column, lower	29.95
C7921 69-76	BEARING - mast jacket bowl lever, white plastic	9.95
C7996 69-82	BEARING - lower or upper, w/tele	9.95
C7974 69-75	BELL - steering column, w/tilt/tele,	55.00
C7905 77-82	BELL - steering column, used, reconditioned	29.95
B8311 68-82	BOLT - steering column coupler, star head	8.50
C7917 68	BOLT SET-steering column to dash mounting kit, 'M' hm, w/washers	5.00
C7919 69-82	BOLT SET-steering column to dash mounting kit, 'M' hm, w/washers	5.00
C8783 68-75	BRACKET - trans./steering column lock cable, w/4 speed	9.00
C7935 69-81	BRACKET - trans control cable, lower steering column, w/4 speed, pre-owned	37.00
C7374 69-75	CABLE - 4 speed trans. control lock, (column to transmission)	39.95
C7376 69-76	CABLE - auto. transmission control lock, (column to transmission)	41.75
B9808 68	CAM - turn signal canceling, w/tele	30.70
B7960 68	CAM - turn signal canceling w/o tele	38.10
C7931 69-82	CAM - turn signal canceling, w/T & T wheel	41.95
C7932 69-76	CAM - turn signal canceling, w/o T & T wheel	15.50
C7964 76-80	CAP - horn button, w/custom wheel, w/o T&T wheel	24.95
C7927 77	CAP - horn button, w/o T&T wheel, w/o emblem	24.95
B8022 68	CLAMP - lower steering column shaft, spring type	11.50
C7957 69-75	CLIP - transmission, steering column lock cable, w/4 speed	6.00
B1338 69-76	CLIP SET - steering column lock cable, (pr)	3.40
C7994 68	COLUMN - steering, telescopic, restored	1,195.00
C7980 69-76	COLUMN - steering, tilt/telescopic, excellent condition, used original (specify year)	995.00
C7989 68	COLUMN - steering, w/o tilt/tele, used	325.00
C7988 69-72	COLUMN - steering, w/o tilt/tele, used	325.00
C7970 76-82	CONTACT - horn, lower, w/spring, T&T column	21.95
C7924 69-82	CONTACT - horn, w/ T & T wheel	39.30
C7899 68	CONTACT - horn w/o tilt & tile	31.50
C7926 69-75	CONTACT - horn w/o Tilt & Teli wheel	19.95
C8003 1976 82	CONTACT W/SPRING - horn, lower w/tilt & tile column	21.95
C7972 69-82	COUPLER - lower steering column w/flange	49.95
B7972 68-69	COUPLER/RAG JOINT - lower steering column, w/flange	130.00

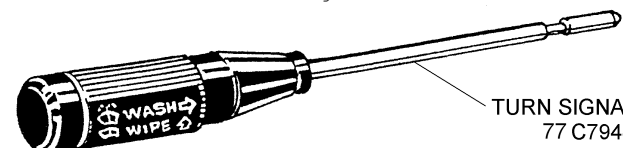
COUPLER REPAIR KIT

B9807



B9807 68-82	COUPLER REPAIR KIT - w/rubber connector, limit bolts & fasteners	12.95
C7801 77-82	COVER - horn button, w/tilt/tele, w/o emblem & retainer, unpainted	21.80
C7906 68	COVER - lower steering column, on instrument panel, unpainted	69.95
C7902 68	COVER - lower steering column, unpainted, (2 pc.)	74.95
C5888 68	COVER - upper steering column, specify color, (2 pc.)	84.95
C6080 68	COVER - lower steering column, on instrument panel, specify color	64.85

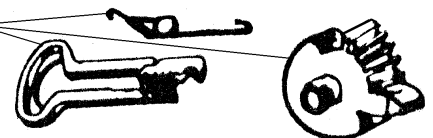
C7910 69-77	COVER - lower steering column, on instrument panel, unpainted	44.15
C5894 69-77	COVER - lower steering column, specify year & color	59.95
C7911 77-82	COVER - steering column lock housing, w/T&T	39.00
NOTE: Cover C7801 must be painted and assembled.		
C7965 76-80	EMBLEM - horn button, all w/o tilt/tele	25.95
C7966 77-81	EMBLEM - horn button, exc. '78, all w/tilt/tele	24.15
B7900 68-69	GEAR ASSEMBLY - worm, NOS	166.25
C7941 70-82	GEAR ASSEMBLY - worm	195.00
C7918 68-75	HORN BUTTON ASSEMBLY - 75 w/o T & T wheel, w/emblem (must be painted & assembled)	47.95
C7922 69-75	HORN BUTTON ASSEMBLY - w/T & T wheel, w/emblem (must be painted & assembled)	49.95
C7934 77-82	HORN BUTTON CAP - w/T&T wheel, w/o emblem or retainer, (exc. 82 collector)	23.50
B8031 68	HUB - steering wheel, w/tele column	59.95
C7907 69-82	HUB - steering wheel, w/T&T	29.95
C5784 69-75	HUB - steering wheel, all w/o tilt tele	49.00
C7920 78-82	KIT - ignition switch actuator rack	17.25
B8307 68-70	KNOB - traffic hazard flasher, exc. 69-70, tilt/tele	20.45
B8306 68-71	KNOB - hazard flasher, w/T&T, 1971 replacement	18.65
C7945 72-77E	KNOB - traffic hazard flasher	6.95
C7982 77L-82	KNOB - traffic hazard flasher	4.50
C7929 69E	LEVER - tilt wheel release	20.95
C7951 69L-71	LEVER - tilt wheel release	20.95
C7952 72-74	LEVER - tilt wheel release	15.95
C7938 68-69	LEVER - turn signal 68 w/ & w/o tele and 69 w/o tele	20.95
C7950 69	LEVER - turn signal w/tilt & tele	20.95
C7940 70-71	LEVER - turn signal w/o tilt tele	20.95
C7953 70-71	LEVER - turn signal w/tilt & tele	20.95
C7954 72-74	LEVER - turn signal w/tilt & tele	20.95
C7955 72-74	LEVER - turn signal w/o tilt & tele	20.95
C7942 75-76	LEVER - turn signal w/o tilt tele	20.95



TURN SIGNAL LEVER 77 C7944

C7944 77	LEVER - turn signal w/washer & dimmer	29.55
C7960 78-79E	LEVER - turn signal, tilt & tele w/cruise	179.95
C7961 79L-80	LEVER - turn signal, tilt & tele w/cruise	101.60
C7971 78E	LEVER - turn signal & headlight dimmer pivot, threaded pivot w/tapped housing	20.45
C7973 78L	LEVER - turn signal & headlight dimmer pivot, pressed-on pivot pin	30.45
C7813 79-82	LEVER - tilt wheel release	CALL
C7817 78-82	LEVER - turn signal, w/tilt/tele, w/o cruise	23.30
C7916 68	LOCK RING - tele ring (black)	52.95
C7990 69-82	LOCK RING - tele column except 1976	33.45
A7913 68-82	LUBRICANT - steering box	10.50
B9854 68-82	NUT & WASHER KIT - steering wheel hub mount	1.95
C7979 69-82	PIVOT SUPPORT ASSEMBLY - w/tilt/tele, NOS	89.65
C7998 69-76	PLATE - turn signal switch actuator, w/o tilt/tele	10.25
C7999 69-76	PLATE - turn signal switch actuator, w/tilt/tele	13.30
C7991 69-82	PULLER - steering wheel lock plate remover, w/T&T	44.95

RACK KIT C7956



C7956 77-82	RACK KIT - ignition switch activator, incl. rack, gear & spring	17.95
C7997 69-76	RACK & ROD - ignition switch, w/tilt & tele	55.95

NOTE: For C7997, you must use your original rod.

B7881 68-82	REBUILD KIT - steering box, standard (includes 54 ball bearings, 1 gasket, 2 caged ball bearings, shims, 2 seals & 3 bushings)	67.25
B7882 68-82	REBUILD KIT - steering box, super (includes all parts in B7881 plus 2 bearing races & end pulley)	94.85
C7792 69-82	REMOVER - T&T steering column pivot pin	21.95
B7931 68-82	RETAINER - horn button emblem	6.95
C7963 70-82	RETAINER - horn contact snap ring, w/insulator, amber plastic	12.05
NOTE: Retainer C7963 snaps into the tilt-tele column lock and covers the hub attaching nut.		
C7968 76-80	RETAINER - horn button cap, w/o tilt/tele	4.15
C7969 77-82	RETAINER - horn button cap, w/tilt/tele	6.40
C7909 76-82	RETAINER - steering wheel nut	2.05

A7979 68-82	RIVET SET - horn contact, plastic, (3 pc.) ...	2.50
B7858 68	ROD - telescopic stop	7.00
C7949 69-82	SCREW - steering column shaft lock knob, star shape	23.95
B7935 68-82	SCREW KIT - tilt/tele star wheel retainer, (2 pc.)	1.50
A7907 68-82	SCREW SET - horn contact w/o tilt & tile	3.25
B3470 68-82	SCREW SET - steering wheel mounting, (exc. '76) (6 pc.)	3.95
C7975 69-71	SEAL - steering column dash support bracket ..	9.75
C7976 68	SEAL - steering column at firewall	6.00
C7977 69-82	SEAL - inner steering column at firewall	6.85
C7978 69-75	SEAL SET - outer steering column at firewall, (pr)	4.25
C7800 69-82	SEAT - lower steering column bearing, plastic	6.75
B7963 68-82	SHIM - horn button, w/tilt & tile	5.00
C7981 69-76	SHROUD - lower steering column cover, w/T&T, NOS	52.00
C7908 77	SHROUD - lower steering column cover, w/T&T ..	59.95
B7875 68-74	SPACER - steering column lock ring w/tilt tile	19.95
C7943 75-82	SPACER - steering column lock ring, w/tilt/tele	11.95
B7948 68-82	SPRING & BRUSH KIT - horn contact	3.30
C7947 69-79	SPRING KIT - turn signal switch canceling system, (pr)	3.45
B9820 68-82	STAR BOLT - lower steering column coupler ..	7.40
B7898 68	STEERING WHEEL - wood grained plastic, reproduction	299.95
B7991 68	STEERING WHEEL - wood grained plastic, original, mint condition	495.00
C5783 69-75	STEERING WHEEL - stainless steel w/black rubber sandwich construction, original, reconditioned	224.95
C7939 69-75	STEERING WHEEL - stainless steel, w/black rubber sandwich construction	199.95
B7156 68	STEERING WHEEL - teak wood	629.00
C5453 69-75	STEERING WHEEL - teakwood	559.00
C5752 68-75	STEERING WHEEL - leather covered, stainless steel spokes, specify color	229.95
C5751 77-79	STEERING WHEEL - leather covered, stainless steel spokes, as original, specify color ..	189.95
C5750 80-82	STEERING WHEEL - leather covered, black spokes, as original, specify color	189.95
C8606 69-79	SWITCH - ignition, w/o T & T wheel	13.35
C8604 69-82	SWITCH - ignition, w/T & T wheel	16.95
B7954 68	SWITCH - turn signal, w/harness	CALL
C7928 69-79E	SWITCH - turn signal, w/harness, 1969-76 w/o T & T wheel, 1979E w/tilt & tile	39.95
C7930 69-76	SWITCH - turn signal, w/harness, w/T & T wheel	69.95
C7645 77-79E	SWITCH - turn signal, w/harness, w/T & T wheel	89.95
C8684 79L-82	SWITCH - turn signal, w/harness, w/T & T wheel	21.00

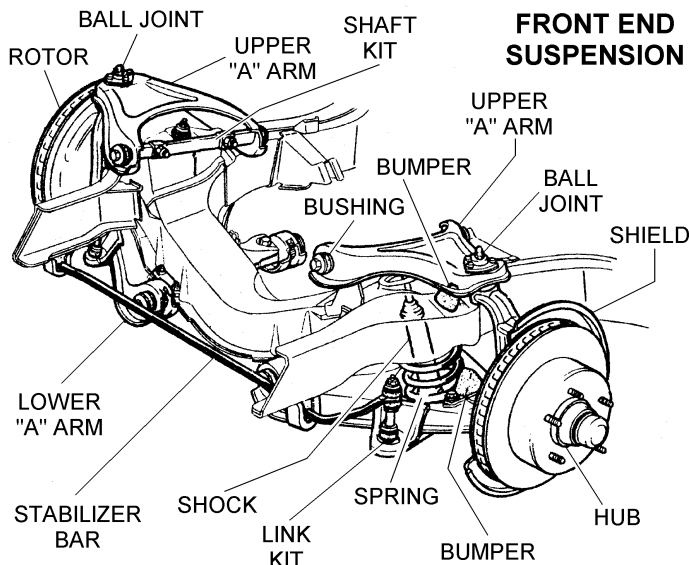
S8026 68-82	A-ARM - lower, RH, reconditioned, w/o ball joint	145.00
S8012 68-82	A-ARM - lower, w/riveted ball joint, LH	235.45
S8013 68-82	A-ARM - lower, w/riveted ball joint, RH	235.45
S8001 68-82	A-ARM - upper, LH, reconditioned, w/o ball joint	125.00
S8009 68-82	A-ARM - upper, RH, reconditioned, w/o ball joint	125.00
S8006 68-82	A-ARM - upper, w/riveted ball joint, LH	199.95
S8007 68-82	A-ARM - upper, w/riveted ball joint, RH	199.95
S8038 68-82	BALL JOINT - lower	50.45
S8036 68-82	BALL JOINT - upper	27.95
S7902 68-82	BOLT - upper A-arm shaft camber adjusting, (ea)	4.50
S7925 68-82	BOLT & NUT KIT - idler arm mounting to frame, (4 pc.)	5.95
S7108 68-82	BOLT & NUT KIT - lower A-arm shaft to frame ..	11.95
S7107 68-82	BOLT & NUT KIT - upper A-arm shaft to frame ..	12.25
S8341 68-82	BOLT & NUT SET - lower 'A' arm bumpers, anchor HM, (8 pc.)	6.20
S7923 68-82	BOLT SET - steering box to frame, (9 pc.) ..	13.95
S7904 68-82	BOLT SET - lower A-arm to pivot shaft, (4 pc.)	4.65
S8316 68-82	BOLT SET - lower control arm bumper 'TR' head mark, (8 pc.)	10.00
S7903 68-82	BOLT & WASHER SET - upper A-arm shaft bushing (12 pc, does both sides)	8.70
S7095 68-82	BOOT SET - ball joint, polyurethane, (2 pc.)	11.60
S8018 68-82	BUMPER SET - rubber, front suspension, upper & lower, (4 pc.)	38.55
S8249 68-82	BUMPER SET - rubber, lower	10.15
A8026 68-82	BUMPER SET - rubber, upper 'A' arm, (2 pc.) ..	11.95
S8016 68-82	BUSHING - lower A-arm shaft, (4 req.) (ea) ..	6.95
S8010 68-82	BUSHING - upper A-arm shaft, (4 req.) (ea) ..	6.95
S7905 68-82	BUSHING SET - upper & lower A-arms, (8 pc.) ..	44.95
S8203 68-82	BUSHING SET - upper & lower, polyurethane, (8 pc.)	79.00
S7699 68-82	COTTER PIN KIT - all correct cotter pins. w/instructions, zinc plated	12.00

NOTE: Cotter Pin Kit S7699 includes cotter pins for suspension, shifter, transmission, clutch & brakes. Kit assembled by NCRS judge Terry McManmon.

S9376 68-82	HARDWARE KIT - 'A' frame, includes all upper & lower 'A' arm bolts, nuts, lock washers & cup shaped washers, (42 head marked pc.) ..	42.25
S7920 68-82	LINK KIT - front stabilizer, w/'WB2C' head mark, (pr)	29.25
A8023 68-82	MOUNT KIT - front shock absorbers, does 2 shocks	10.95
S7912 68-82	NUT & COTTER PIN KIT - lower ball joint mounting to 'A' frame, (2 nuts & 2 pins)	1.80
S7910 68-82	NUT & COTTER PIN KIT - upper ball joint to steering knuckle, (2 nuts & 2 pins)	1.20
S7911 68-82	NUT & LOCK WASHER KIT - lower ball joint, (2 nuts, 2 lock washers)	1.50
S7915 68-82	NUT SET - upper A-arm mounting to frame, (4 pc.)	2.40
S7914 68-82	NUT & WASHER KIT - lower A-arm shaft, rear ..	10.75
S7916 68-82	PLATE - lower A-arm shaft to frame nut	10.75
S8250 68-82	RIVET SET - ball joint, upper, (6 pc.) (does both sides)	4.65
S8251 68-82	RIVET SET - ball joint, lower, (4 pc., does both sides)	3.25
S9355 68-82	SCREW/BOLT SET - front lower shock, (4 pc.) ..	4.10
S8008 68-82	SHAFT KIT - upper A-arm	42.95
S8179 68-82	SHAFT KIT - upper A-arm, small offset for extra flexibility in camber adjustments	37.95
S8014 68-82	SHAFT KIT - lower A-arm	35.90
S8020 68-82	SHIM KIT - A-arm, w/part #s on shims, does both sides, (28 pc.)	17.25
S8075 68-82	SHOCK ABSORBER - front, gas	28.10
S8000 68-82	SHOCK ABSORBER - front, KYB adjustable	52.95
S7096 68-82	SHOCK ABSORBER SET - front, gas, Monroe Sensa-Track	47.35
S8201 68-82	SHOCK ABSORBER - front / DELCO	42.95
S7918 68-82	SPINDLE - knuckle, new replacement	189.25
S8106 68-82	WASHER - lower 'A' frame pivot shaft, w/serrated edge, reconditioned original	5.20
S8028 68-82	WASHER SET - upper shock retainer, (pr)	7.95

SUSPENSION - FRONT & REAR

Front Suspension: A-Arm & Related



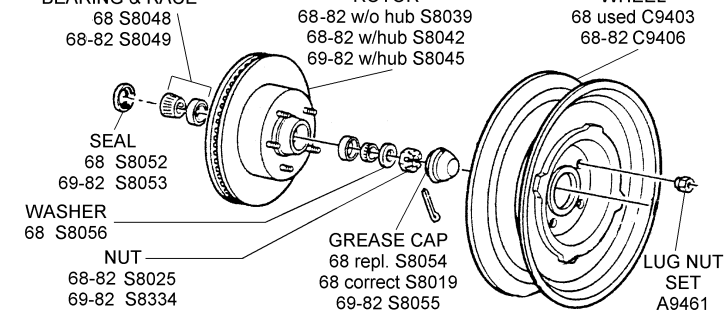
S8024 68-82	A-ARM - lower, LH, reconditioned, w/o ball joint	145.00
-------------	--	--------



CHICAGO CORVETTE

We're your 1-Stop-Shop for 1953-82 Corvette parts and accessories!

Front Suspension: Brake, Rotor & Spindle Related BEARING & RACE



- S8046 68-68 BEARING KIT - front wheel (includes 1 each, inner & outer bearing w/races & inner seal) . 27.95
 - S8047 69-82 BEARING KIT - front wheel (includes 1 each, inner & outer bearing w/races & inner seal) . 28.95
 - S8048 68 BEARING w/RACE - front inner11.85
 - S8050 68 BEARING w/RACE - front outer12.50
 - S8049 69-82 BEARING w/RACE - front inner27.60
 - S8051 69-82 BEARING w/RACE - front outer12.00
 - S7001 68-82 BOLT - front brake splash shield, upper, caliper adapter bracket12.00
 - S7000 68-82 BOLT & NUT KIT - front spindle/knuckle, (8 pc.)6.95
 - S8041 68-82 BOLT SET - front caliper mounting, double circle head mark, (4 pc.)6.95
 - B1098 68-82 BRACKET - caliper mounting, front, LH, (reconditioned)44.95
 - B1099 68-82 BRACKET - caliper mounting, front, RH, (reconditioned)44.95
 - S8054 68 CAP - grease, front wheel4.95
 - S8055 69-82 CAP - grease, front wheel, (ea)5.20
 - S8019 68 CAP SET - grease, front wheel w/dimple, correct, (pr)24.85
 - S9375 68-82 FITTING KIT - grease, (8 pc.)8.90
 - S8034 68-82 GASKET - between front brake splash shield & spindle7.55
 - S8061 68 HUB - front rotor, (small bearing journal) (reconditioned)195.00
 - S8071 69-82 HUB - front rotor, reconditioned/original . .145.00
 - S7908 68 KNUCKLE - steering arm, LH, used, casting #3817593, recond.75.00
 - S7909 68 KNUCKLE - steering arm, RH, used, casting #3817594, recond.75.00
 - S7345 69-75 KNUCKLE - steering arm, LH, used, casting #3848877, recond.40.00
 - S7346 69-75 KNUCKLE - steering arm, RH, used, casting #3848878, recond.40.00
 - S7347 76-82 KNUCKLE - steering arm, LH, used, casting #465071, recond.40.00
 - S7348 76-82 KNUCKLE - steering arm, RH, used, casting #465072, recond.35.00
 - S8025 68 NUT & COTTER PIN - front spindle5.20
 - S8334 69-82 NUT, WASHER & COTTER PIN - front spindle, (3 pc.)6.10
 - S8065 68 NUT, WASHER & COTTER KEY KIT - spindle, (6 pc.)6.50
- NOTE:** Kit S7003 can be used on 1968s with 69-82 bearings and hub.
- B6676 68-82 PLUG SET - steering knuckle holes, (2 pc.) . .11.30
 - S8350 68-82 RIVET SET - rotor to hub, as from factory, (5 pc.)5.25
 - S8045 69-82 ROTOR - front brake w/hub324.15
 - S8039 68-82 ROTOR - front brake, w/o hub, (transfer old hub)59.00
 - S8052 68 SEAL - front wheel bearing7.50
 - S8053 69-82 SEAL - front wheel bearing9.00
 - S7750 68-75 SHIELD - splash, brake flange plate, LH front caliper, w/bright zinc plating Delco ID & part number39.95
 - S7751 68-75 SHIELD - splash, brake flange plate, RH front caliper, w/bright zinc plating & Delco ID/part number39.95
 - S7752 76-82 SHIELD - splash, brake flange plate, LH front caliper, yellow di-chromate, w/Delco ID & number40.00
 - S7753 76-82 SHIELD - splash, brake flange plate, RH front caliper, yellow di-chromate plating, w/Delco ID & number40.00
- NOTE:** S7750, S7751, S7752 & S7753 have small Delco characters and are not considered NCRS correct.
- S7754 68-75 SHIELD - splash, brake flange plate, LH front caliper, zinc29.95
 - S7755 68-75 SHIELD - splash, brake flange plate, RH front caliper, zinc29.95
 - S7756 76-82 SHIELD - splash, brake flange plate, LH front caliper, yellow dichromate29.95
 - S7757 76-82 SHIELD - splash, brake flange plate, RH front caliper, yellow dichromate29.95

- S9353 68 SPINDLE/KNUCKLE - small bearing journal, used LH or RH195.00
- S9354 69-82 SPINDLE/KNUCKLE - large bearing journal, used LH or RH75.00
- S7003 69-82 SPINDLE/KNUCKLE - steering, new189.25
- STATIC COLLECTOR S8017
- GREASE CAP 68 repl. S8054 68 correct S8019 69-82 repl. S8055
- S8017 68-82 STATIC COLLECTOR - front wheel, in grease cap16.55
- S8030 68-82 STUD - front rotor retaining, 1 7/8' long2.60
- S8165 68-70 STUD KIT - wheel stud, with 'TR' marking, set of 57.50
- S8056 68 WASHER - bearing retainer, front spindle3.00
- S8354 69-82 WASHER - bearing retainer, front spindle3.80

Front Suspension: Bushings - Stabilizer Bar

- S8067 68-79 BUSHING - front stabilizer bar, standard, 13/16'12.00
- S8356 68-82 BUSHING SET - front stabilizer link kit, polyurethane, (8 pc.)18.95
- S8355 68-82 BUSHING SET - front stabilizer link kit, standard, (8 pc.)11.00
- S8095 68-72 BUSHING SET - stabilizer bar 3/4', polyurethane (pr)35.80
- S8096 68-72 BUSHING SET - stabilizer bar 15/16' F40-41, polyurethane, (pr)26.95
- S9301 68-74 BUSHING SET - stabilizer bar, w/427/454, polyurethane, (pr)236.57
- S8098 68-79 BUSHING SET - stabilizer bar 7/8' HD, polyurethane, (pr)35.80
- S8091 68-82 BUSHING SET - stabilizer bar 1', polyurethane, (pr)26.95
- S8085 68-82 BUSHING SET - stabilizer bar 1 1/8', polyurethane, (pr)26.95
- S8097 73-74 BUSHING SET - stabilizer bar 13/16', polyurethane, (pr)26.95
- S8062 68-82 STABILIZER LINK KIT - front, w/polyurethane bushings, (pr)29.60

Front Suspension: Coil Springs

- S7724 68-73 SPRING - front, heavy duty, (ea)64.95
- S7735 68-72 SPRING - front, 327/350, w/AC, (ea)77.60
- S7739 68-74 SPRING - front, 427/454, w/o HD, (ea)66.85
- S7726 68-74 SPRING - front, 350 standard suspension, w/o AC, (ea)159.95
- S7740 73-74 SPRING - front, 454 w/AC, (ea)57.25
- S7729 75-82 SPRING - front, (ea)69.75

Front Suspension: Rebuilding Kits

FRONT SUSPENSION REBUILD KITS

S8002	68-82	STANDARD KIT			
S8252	68-82	PLUS KIT			
S8004	68-82	SUPER KIT			
S8010		BUSHING - upper A arm	4	4	4
S8016		BUSHING - lower A arm	4	4	4
S8036		BALL JOINT - upper	2	2	2
S8038		BALL JOINT - lower	2	2	2
S8060		STABILIZER LINK KIT (pr)	1	1	1
S8072		TIE ROD END - LH	2	2	1
S8074		TIE ROD END - RH	2	2	1
S8076		TIE ROD TUBE w/CLAMPS	2		
S8070		IDLER ARM	1		
S8002	68-82	FRONT SUSPENSION KIT - STANDARD VERSION * see chart for details			199.95
S8252	68-82	FRONT SUSPENSION KIT - PLUS VERSION * see chart for details			224.95
S8004	68-82	FRONT SUSPENSION KIT - SUPER VERSION * see chart for details			273.95

FRONT SUSPENSION REBUILD KITS

S8032	68-82	STANDARD KIT			
S8065	68-82	PLUS KIT			
S8083	68-82	SUPER KIT			
S8203		BUSHING SET - upper & lower A arms, poly (8pc.)	1	1	1
S8036		BALL JOINT - upper	2	2	2
S8038		BALL JOINT - lower	2	2	2
A8059		BOOT - tie rod, polyurethane	2	2	2
S8062		STABILIZER LINK KIT (pr)	1	1	1
S8072		TIE ROD END - LH	2	2	1
S8074		TIE ROD END - RH	2	2	1
S8076		TIE ROD TUBE w/CLAMPS	2		
S7080		IDLER ARM	1		

S8032	68-82	FRONT SUSPENSION KIT - STANDARD VERSION W/POLYURETHANE BUSHINGS * see chart for details . . .	249.95
S8033	68-82	FRONT SUSPENSION KIT - PLUS VERSION W/POLYURETHANE BUSHINGS * see chart for details . . .	274.95
S8037	68-82	FRONT SUSPENSION KIT - SUPER VERSION W/POLYURETHANE BUSHINGS * see chart for details . . .	327.95

Front Suspension: Shock Kits & Paint

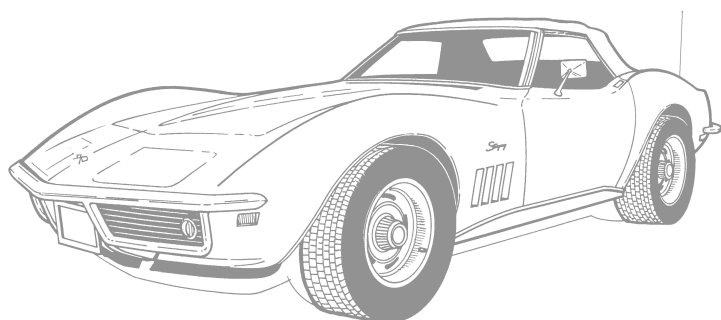
G5003	68-82	PAINT - black, semi-gloss, 12 oz. aerosol . . .	6.50
G0114	68-82	PAINT - cast iron color, stainless steel spray coat, 12 oz. aerosol . . .	6.50
G5002	68-82	PAINT - cast iron color, stainless steel spray coat, hi-temp. 12 oz. aerosol . . .	6.50
G5090	68-82	PAINT - GM chassis, black, 12 oz. aerosol . . .	5.85
G5005	68-82	PAINT - rear spring gray, 12 oz aerosol . . .	8.40
S9356	68-82	PAINT - shock absorber, gray, aerosol can . . .	15.70
S8031	68-82	SHOCK ABSORBER KIT - KYB adjustable, 2 front, 2 rear . . .	192.80

Front Suspension: Stabilizer Sway Bar & Related

S8357	68-82	BOLT & NUT KIT - front stabilizer brackets, w/integrated washer, 'WB' HM . . .	7.75
S8341	68-82	BOLT & NUT KIT - front stabilizer brackets, w/integrated washer, 'Anchor' HM . . .	6.20
S8068	68	BRACKET - front stabilizer bar bushing . . .	14.95
S8069	68-82	BRACKET - front stabilizer bar bushing . . .	19.45
A8075	68-82	BUSHING SET - stabilizer links (rubber) (8 pc) . . .	12.30
S8356	68-82	BUSHING SET - front stabilizer link kit, polyurethane, (8 pc.) . . .	18.95
S7920	68-69	LINK KIT - stabilizer bar, w/WB2C head mark . . .	29.25
S7004	70-82	LINK KIT - stabilizer bar, w/WB head mark . . .	31.00
S8060	68-82	LINK KIT - stabilizer, front, (pr) . . .	18.75
S8062	68-82	LINK KIT - stabilizer, front, w/polyurethane bushings, (pr) . . .	29.60

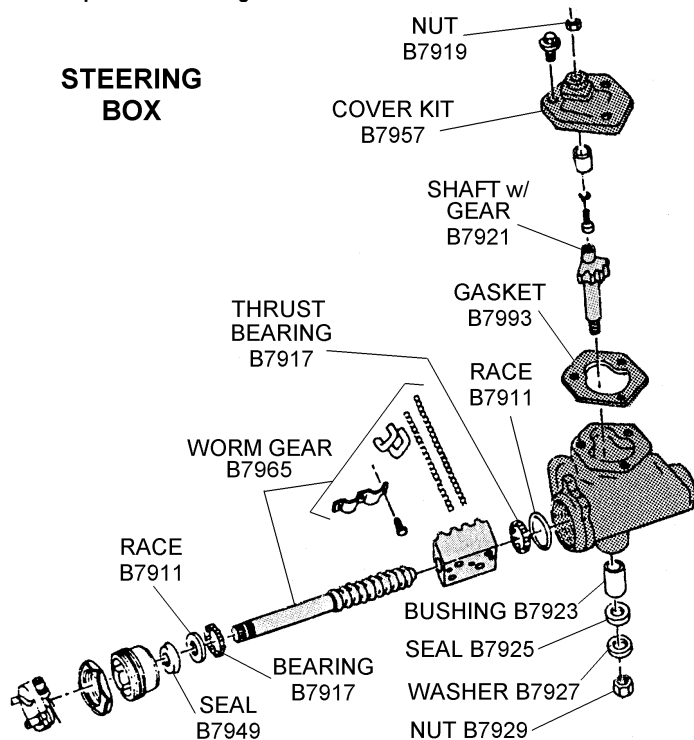
NOTE: Urethane sway bar bushings look stock and improve handling. We suggest that you measure your sway bar before ordering.

S7921	68-72	STABILIZER BAR - front, 3/4', used, reman. . .	124.95
S8079	68-82	STABILIZER BAR - front, 1' . . .	224.05
S8081	68-82	STABILIZER BAR - front, 1 1/8' . . .	146.25

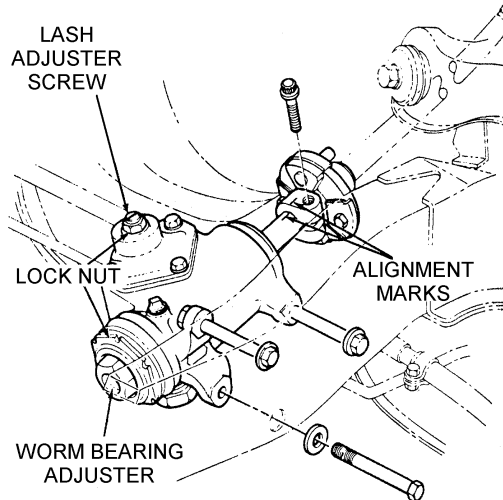


Front Suspension: Steering Box

STEERING BOX

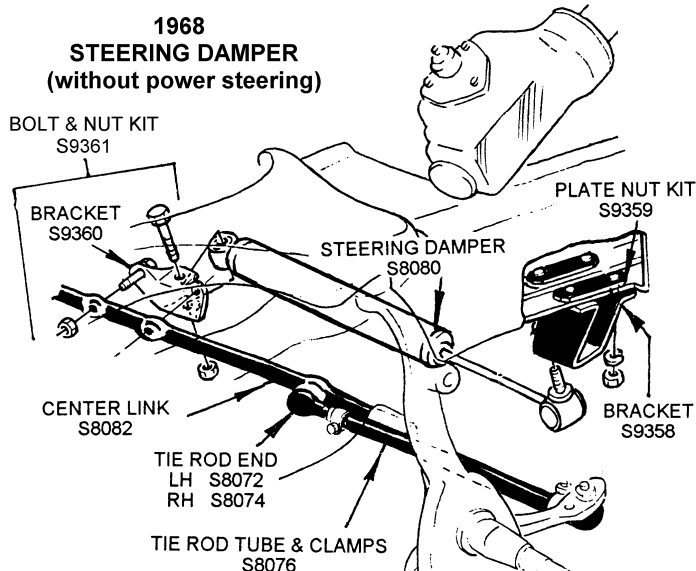


B7951	68-82	ADJUSTER - worm gear . . .	19.00
B7917	68-82	BEARING - gear thrust, (2 req.) (ea) . . .	6.85
S7923	68-82	BOLT & NUT SET - steering box to frame mount . . .	13.95
B7923	68-82	BUSHING - pitman shaft . . .	12.75
B7957	68-82	COVER KIT - w/gasket . . .	50.65
B7993	68-82	GASKET - cover . . .	2.50
A7913	68-82	LUBRICANT - steering box w/injector lube fitting . . .	10.50

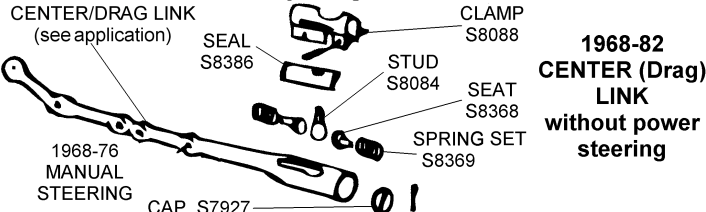


B7919	68-82	NUT - for lock washer, jamb type . . .	7.45
B7929	68-82	NUT - pitman shaft . . .	10.50
B7911	68-82	RACE - bearing, gear thrust, (2 req.) (ea) . . .	6.45
S7924	68-82	REBUILD KIT/DELUXE - steering box . . .	62.95
B7959	68-69	REBUILD SERVICE - steering box, regain tight precise steering, exchange of your original unit, cast iron top cover, small diameter shaft w/o flat . . .	189.95
C7925	70-82	REBUILD SERVICE - steering box, regain tight, precise steering, exchange of your original unit, aluminum top cover, large diameter shaft w/flat . . .	189.95
B7915	68-69	RESTORATION SERVICE - the ultimate steering box re manufactured, includes replacement of pitman shaft, worm gear, bearings, shims, seals, cleaning, detailing, adjustment & assembly . . .	325.00
B7925	68-82	SEAL - pitman shaft . . .	13.50
B7949	68-82	SEAL - worm gear . . .	6.50
B7921	68-82	SHAFT/PITMAN - w/gear . . .	80.90
A7959	68-82	SHIM KIT - for mast adjuster . . .	18.50
S7006	69-82	STEERING BOX - NEW . . .	399.95
B7927	68-82	WASHER - pitman shaft . . .	4.50

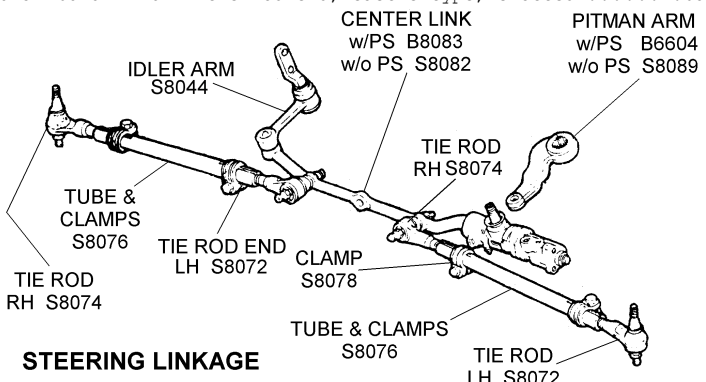
Front Suspension: Steering Rack



- S8360 68-82 BOLT - tie rod end clamp 'TR' head mark1.95
- S8312 68-82 BOLT KIT - tie rod end clamp 'TR' head mark w/crimp nuts, (8 pc.)6.00
- S9361 68 BOLT & NUT KIT - steering damper, (7 pc.)5.85
- S9359 68 BOLT PLATE & NUT KIT - steering damper bracket8.35
- S7007 68-82 BOOT - idler arm12.90
- A8053 68-82 BOOT/GREASE SEAL - dust, tie rod, (included w/new tie rod ends)3.95
- A8059 68-82 BOOT/GREASE SEAL SET - dust, tie rods, polyurethane, (2 pc.)5.95
- S9358 68 BRACKET - steering damper, on frame28.75
- S9360 68 BRACKET - steering damper, on relay rod29.50
- S7927 68-76 CAP - steering relay rod, w/o PS10.45



- S9395 68 CENTER/Drag LINK - w/o PS, small diameter rod, (recon.)224.95
- S8082 69-82 CENTER/Drag LINK - w/o PS, large diameter rod, (recon.)199.00
- B8000 68 CENTER/Drag LINK - w/ PS, small diameter rod, (recon.)249.95
- B8083 69-82 CENTER/Drag LINK - w/power steering199.95
- S8078 68-82 CLAMP - tie rod tube4.75
- S8088 68-76 CLAMP - center link ball stud seal, w/o PS . .13.95
- S7928 68-76 COTTER PIN - manual steering relay rod cap ...1.00
- S8080 68 DAMPER - steering, (for Corvettes w/o power steering)295.00
- K0176 68-76 FITTING - grease, manual steering relay rod .1.00
- S8044 68-82 IDLER ARM - heavy duty47.95
- A8066 68-82 NUT - idler arm to steering rack, castle/slotted type1.75
- S8137 68-82 NUT - tie rod end, castle type, slotted1.65



- B6604 68-82 PITMAN (BOX) ARM - w/power steering, casting #374138354.95
- S8089 68-82 PITMAN (BOX) ARM - w/o power steering, casting #382945152.95
- B6676 68-82 PLUG SET - steering knuckle holes, (2 pc.) . .11.30

- S8057 68-76 REBUILD KIT - steering relay rod, (includes S8084, S8086 & S8088)89.95
- S8086 68-76 SEAL - center link ball stud seal, w/o PS20.20
- S8368 68-76 SEAT - center link (relay rod) w/o PS19.95
- S8369 68-76 SPRING SET - center link (relay rod) w/o PS, (pr)14.25
- S8084 68-76 STUD - center link ball stud, w/o PS24.95
- S8072 68-82 TIE ROD END - LH, (2 req.) (ea.)22.75
- S8074 68-82 TIE ROD END - RH, (2 req.) (ea.)21.30
- S8076 68-82 TUBE - tie rod, includes clamps37.10

Paint

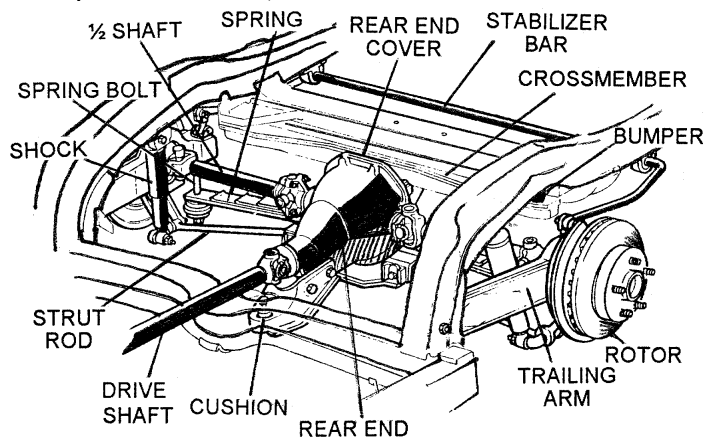
- G5003 68-82 PAINT - black, semi-gloss6.50
- G0114 68-82 PAINT - cast iron (gray), 12 oz. aerosol can6.50
- G5002 68-82 PAINT - cast iron (stainless steel color), hi-temp. 12 oz. aerosol can6.50
- G5012 68-72 PAINT - frame & chassis, asphalt based, black, quart19.95
- G5005 68-82 PAINT - rear spring, gray8.40

NOTE: Paint G5012 is asphalt based from original supplier and specified by OEM for frame painting and black out. This paint is absolutely necessary for restorers who demand authenticity. Susceptible to gasoline spills.

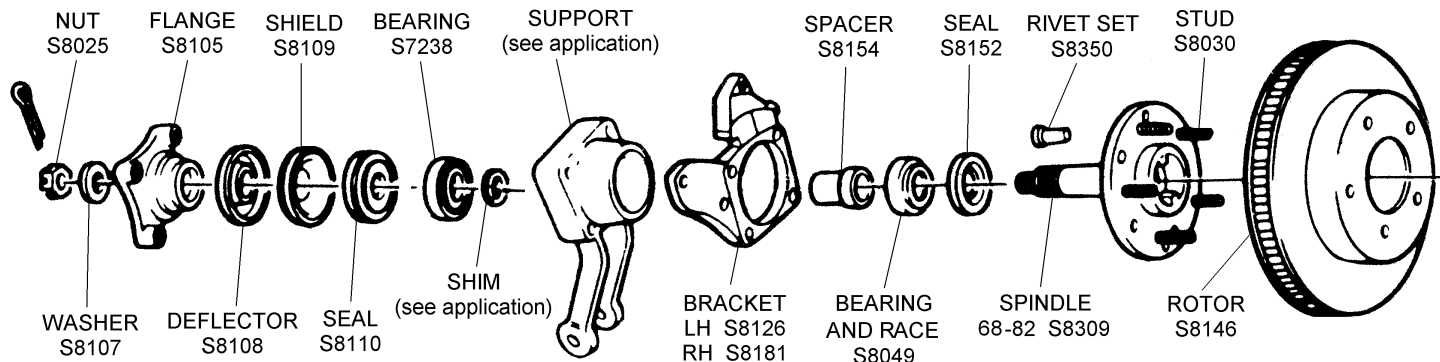
Rear Suspension: Brake Related

- S8126 68-82 BRACKET - rear caliper mounting, LH, reconditioned42.00
- S8181 68-82 BRACKET - rear caliper mounting, RH, reconditioned42.00
- S8378 68-75 SHIELD - splash, parking brake flange plate, zinc silver, left hand, w/Delco ID & part number49.65
- S8375 68-75 SHIELD - splash, parking brake flange plate, zinc silver, right hand, w/Delco ID & part number49.65
- S8376 76-82 SHIELD - splash, parking brake flange plate, yellow di-chromate, left hand, w/Delco ID & part number40.00
- S8377 76-82 SHIELD - splash, parking brake flange plate, yellow di-chromate, right hand, w/Delco ID & part number40.00
- S8346 68-75 SHIELD - splash, parking brake flange plate, zinc silver, LH29.95
- S8347 68-75 SHIELD - splash, parking brake flange plate, zinc silver, RH29.95
- S8348 76-82 SHIELD - splash, parking brake flange plate, yellow di-chromate, LH40.00
- S8349 76-82 SHIELD - splash, parking brake flange plate, yellow di-chromate, RH40.00

Rear Suspension: Drive Shaft, Half Shaft & U-Joint

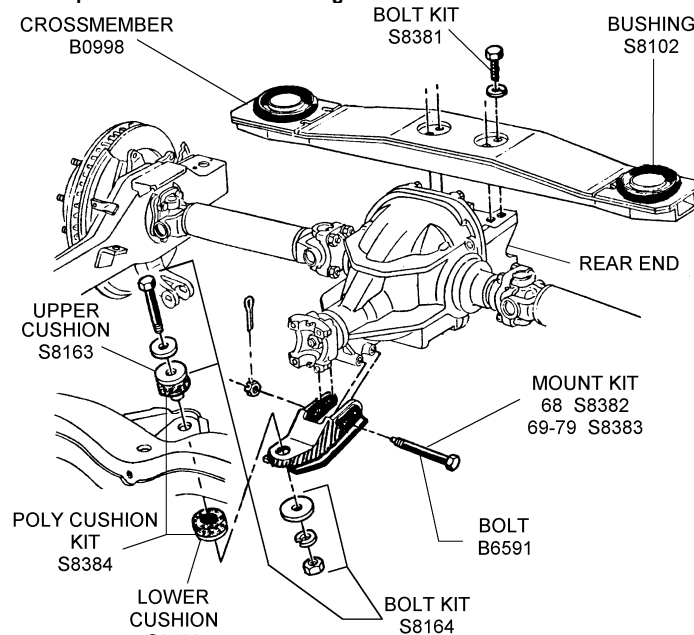


- S8169 75-82 BOLT - half shaft U-joint strap retainer w/o HD, (ea)2.00
- S8353 80-82 BOLT - half shaft strap, w/auto trans3.00
- S7313 68-74 BOLT SET - 1/2 shaft to spindle flange, double circle head mark, (8 pc.)10.95
- S7103 68-79 CAP/RETAINER - heavy duty side yoke, (2 req.) (ea)22.95
- S8058 68-69 DRIVE SHAFT - 2' w/universal joints169.95
- S8205 68-79 DRIVE SHAFT - 2 1/2' w/universal joints179.95
- S8168 68-79 FLANGE - 1/2 shaft U-joint, (ea)49.95
- S8387 68-79 FLANGE - 1/2 shaft U-joint, reconditioned . .35.00
- S8139 68-79 FRENCH LOCK SET - half shaft U joint bolts, (ea)2.75
- S8372 74-79 HALF SHAFT - 3' diameter, w/U-joints164.95
- S8175 68-73 HALF SHAFT - cleaned and re manufactured w/new greaseable U-joints, exchange (2 1/2' diameter)99.95

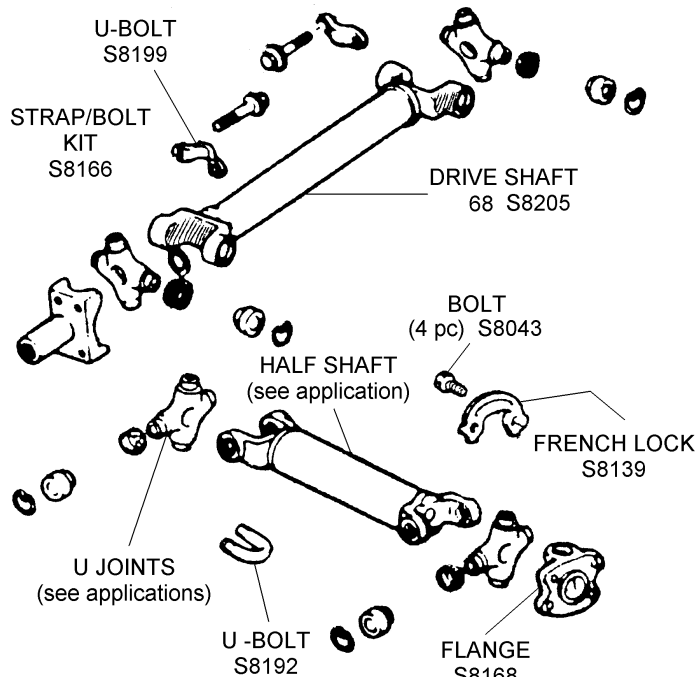


S8176	74-79	HALF SHAFT - cleaned and re manufactured w/new greaseable U-joints, exchange (3' diameter)	79.95
S9320	80-82	HALF SHAFT - 3' diameter, 4 speed trans., re manufactured w/new greaseable 'U'-joints, exchange	69.95
S9321	80-82	HALF SHAFT - 3' diameter, auto trans., re manufactured w/new greaseable 'U'-joints, exchange	69.95
S8352	80-82	STRAP - half shaft 'U' joint retainer, w/auto trans	3.00
S8166	68-79	STRAP/BOLTS - drive shaft U-joint retainer, (ea)	10.35

Rear Suspension: Rear End Mounting



B6591	68-79	BOLT - rear end carrier mount bracket, 'TR' head mark	10.35
S8164	68-82	BOLT KIT - front end mount of rear end, (thru cushions)	4.15
S8100	68-82	BOLT KIT - rear cross member cushion to frame	2.75
S8381	68-79	BOLT KIT - rear cross member to rear end cover	5.35
S7931	68	BRACKET - differential front mount, (used, recond.)	95.00
S7097	80-82	CUSHION SET - differential carrier support, pr., polyurethane	34.95
B0998	68-79	CROSSMEMBER - above rear end, reconditioned w/2 new with rubber cushions installed	325.00
S8102	68-79	CUSHION / BUSHING - cross member above rear end	64.95
S8162	68-82	CUSHION - lower front, rear end mount	13.20
S8163	68-79	CUSHION - upper front, rear end mount	13.90
S8210	80-82	CUSHION - upper front, rear end mount	11.80
S8384	68-82	CUSHION KIT - end mount, front, (2 pc.), polyurethane	24.95
S7932	68-79	CUSHION KIT - rear end, front bracket to frame, upper & lower, w/bolt & washer kit	30.90
S7075	80-82	CUSHION KIT - rear end, front bracket to frame, upper & lower, w/bolt w/washer kit	38.95
S8382	68	MOUNT KIT - rear end front mount to rear end	20.75
S8383	69-79	MOUNT KIT - rear end front mount to rear end	21.75



S8199	68-82	U-BOLT - drive shaft U-joint retainer, w/o HD, (ea)	3.00
S8192	68-79	U-BOLT SET - half shaft U-joint retainer, w/washers & nuts, (pr)	6.65
S7763	80-82	U-JOINT - 1/2 shaft, w/manual trans., w/o grease fitting	23.65
S7748	80-82	U-JOINT - 1/2 shaft, w/auto trans., w/o grease fitting	23.20
S8172	68-74	U-JOINT - drive shaft, (all w/3 or 4 speed)	15.00
S8173	68-79	U-JOINT - drive shaft, 350 w/automatic transmission	17.00
S7764	80-82	U-JOINT - drive shaft, w/auto trans., w/o grease fitting	21.95
S7747	68-70	U-JOINT - drive shaft, w/manual trans., w/o grease fitting	19.65
S8144	68-82	U-JOINT - rear 1/2 shaft	18.00

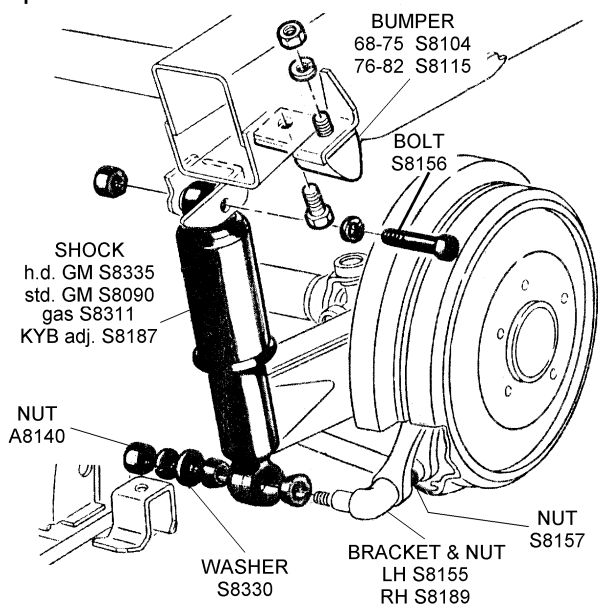
Rear Suspension: Hardware Kits

1968-79 Rear Suspension Hardware Kits include all the nuts, bolts, washers, cotter pins and cushions you need to take care of the trailing arms, inner and outer leaf spring mounts, differential mountings, strut rods and outer half shafts. Components fit all 68-79 cars but do not include the hardware for big block cars with rear stabilizer bar.

S8343	68	HARDWARE KIT/BASIC - rear suspension, incl. items above	139.95
S8344	69-77	HARDWARE KIT/BASIC - rear suspension, incl. items above	134.95
S8363	78-79	HARDWARE KIT/BASIC - rear suspension, incl. items above	134.95



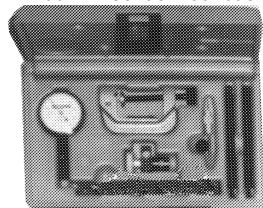
Rear Suspension: Shock Absorbers & Related



- S8156 68-82 BOLT SET - rear upper shock mount, does both sides8.00
- S8155 68-82 BRACKET - lower shock mount w/castle nut, LH39.95
- S8189 68-82 BRACKET - lower shock mount w/castle nut, RH39.95
- B0990 68-82 BRACKET - shock mount, upper, welds to frame16.75
- A8140 68-82 NUT - rear end shock mounting to bracket3.45
- S8157 68-82 NUT - shock mount to spindle support, castle style1.75
- A4862 68-82 NUT - shock mount bolt, upper, thin, (2 per car) (ea)1.00
- S8335 68-82 SHOCK ABSORBER - rear / Delco42.95
- S8311 68-82 SHOCK ABSORBER - rear, gas26.75
- S8187 68-82 SHOCK ABSORBER - rear, KYB brand, adjustable52.95
- S7098 68-82 SHOCK ABSORBER - rear, gas, Monroe Sensa-Track, rear47.35
- S8330 68-82 WASHER - shock, rear lower, cupped2.35

Rear Suspension: Special Suspension Products

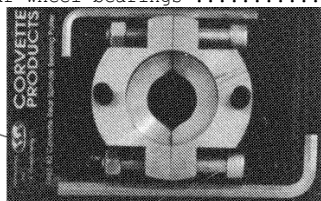
- S8319 68-82 TOOL - strut rod bushing installation109.85



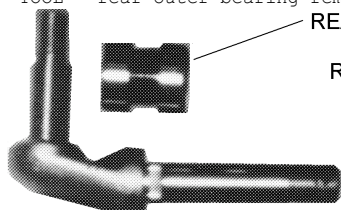
UNIVERSAL DIAL INDICATOR SET S8394

- S8394 68-82 DIAL INDICATOR KIT - universal114.95
- S8023 68-82 GREASER - rear wheel bearings19.75

REAR SPINDLE BEARING PULLER S8345



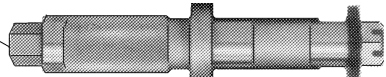
- S8345 68-82 TOOL - rear outer bearing removal135.35



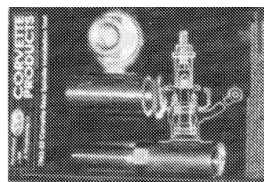
REAR SHOCK MOUNT REMOVAL TOOL S8191

- S8191 68-82 TOOL - rear shock mount removal24.95

REAR SPINDLE BEARING SET-UP TOOL S8195



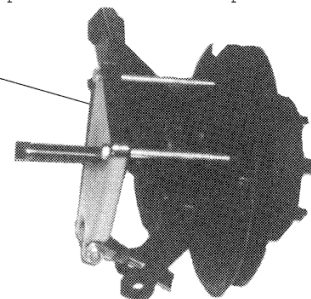
- S8195 68-82 TOOL - rear spindle bearing set-up112.10



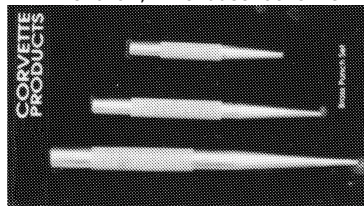
REAR SPINDLE INSTALLATION TOOL S8318

- S8318 68-82 TOOL - rear spindle installation press112.10

REAR SPINDLE REMOVAL PRESS (heavy duty) S8317



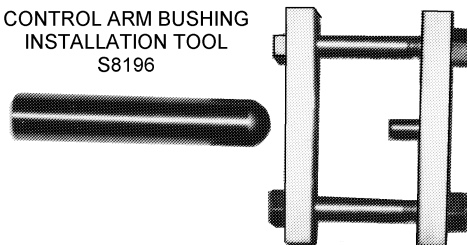
- S8317 68-82 TOOL - rear spindle installation press, heavy duty232.75
- S8174 68-82 TOOL - rear spindle knocker19.60
- S9394 68-82 TOOL - rear spindle removal, for use with hammer gun52.95
- S9396 68-82 TOOL - rear shock mount removal, for use with hammer gun49.95
- S9397 68-82 TOOL & KNOCKER GUN KIT - rear shock mount removal, includes other chisels139.95
- S9393 68-82 TOOL & KNOCKER GUN KIT - rear spingle removal, includes other chisels139.95



BRASS PUNCH SET S8393

- S8393 68-82 TOOL SET - brass punches, 8', 6', 4'34.95

CONTROL ARM BUSHING INSTALLATION TOOL S8196



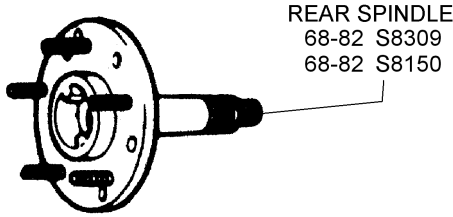
- S8196 68-82 TOOL - trailing arm, front bushing installation79.00

Rear Suspension: Spindle - Rotor in Rear Trailing (Control) Arm

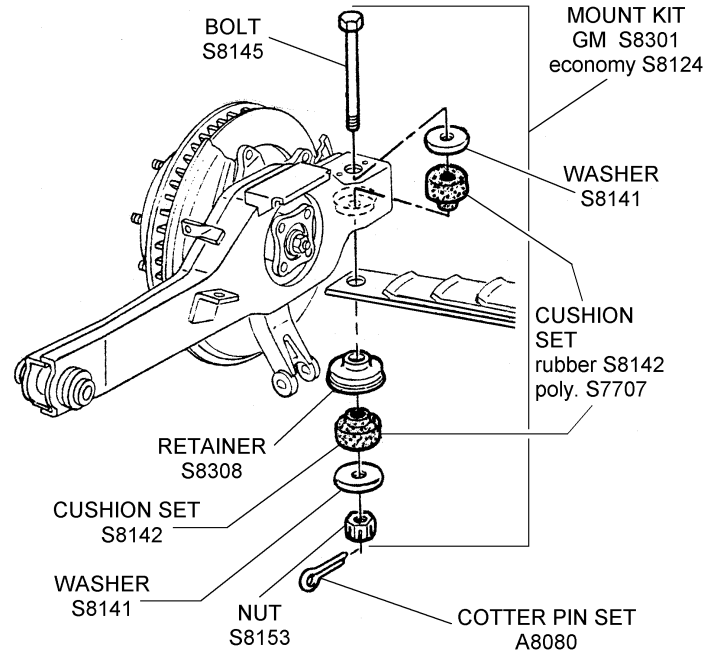
- S7238 68-82 BEARING & RACE - rear, inner38.25
- S8049 68-82 BEARING & RACE - rear outer27.60
- S8112 68-82 BEARING KIT - rear wheel (incl. 1 each of: rear inner bearing & seal, rear outer bearing & seal42.95
- B6592 68-79 BOLT, NUT & COTTER PIN KIT - rear end carrier mount bracket w/THT trans., (6 pc.) . 16.25
- S8108 68-82 DEFLECTOR - dust, rear spindle flange2.50
- S8386 68-79 FLANGE - rear spindle, reconditioned65.00
- S8427 80-82 FLANGE - rear spindle 80-81 w/manual trans.& 82 w/automatic74.00
- S8425 80-81 FLANGE - rear spindle, 80-81 w/manual trans., 82 w/automatic, reconditioned54.00
- S8428 80-81 FLANGE - rear spindle w/automatic trans.79.00
- S8426 80-81 FLANGE - rear spindle w/auto. trans., reconditioned57.00
- S8025 68-82 NUT - castle, rear spindle5.20
- S8350 68-82 RIVET SET - rotor to hub, as from factory, (5 pc.)5.25
- S8146 68-82 ROTOR - rear59.00
- S8110 68-82 SEAL - rear wheel inner bearing6.00
- S8152 68-82 SEAL - rear wheel outer bearing7.75
- S8109 68-82 SHIELD - dust, rear inner wheel bearing4.95
- S7761 68-82 SHIM & SPACER KIT-rear wheel bearing, incl. 9 shims & 1 spacer43.95
- S8113 68-82 SHIM - rear wheel bearing, .097 thickness4.25
- S8328 68-82 SHIM - rear wheel bearing, .103 thickness4.25
- S8327 68-82 SHIM - rear wheel bearing, .109 thickness4.25
- S8329 68-82 SHIM - rear wheel bearing, .115 thickness4.25
- S8326 68-82 SHIM - rear wheel bearing, .121 thickness4.25
- S8323 68-82 SHIM - rear wheel bearing, .127 thickness4.25

- S8324 68-82 SHIM - rear wheel bearing, .133 thickness4.25
- S8331 68-82 SHIM - rear wheel bearing, .139 thickness4.25
- S8325 68-82 SHIM - rear wheel bearing, .145 thickness4.25

- S7760 68-74 LINER SET - 7 leaf rear spring, (correct) ...42.00
- S7709 68-77 LINER SET - 9 leaf rear spring, (correct) ...49.00

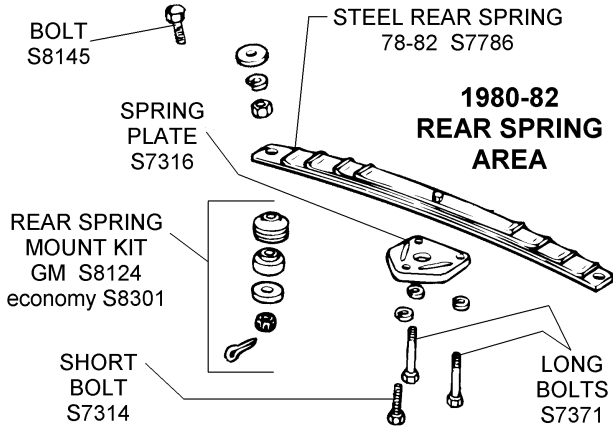


- S8150 68-82 SPINDLE - rear, GM285.00
- S8309 68-82 SPINDLE - rear139.95
- S8154 68-82 SPACER - rear wheel bearing17.65
- S8030 68-82 STUD - front rotor retaining, 1 7/8' long2.60
- S8165 68-70 STUD KIT - wheel stud, with 'TR' marking, set of 57.50
- S9377 68-74 SUPPORT - spindle, LH w/small lower shock support ears, reconditioned original124.95
- S9378 68-74 SUPPORT - spindle, RH w/small lower shock support ears, reconditioned original124.95
- S8077 68-82 SUPPORT - spindle, LH, reconditioned original, w/large lower shock support ears, (68-74 repl.)146.55
- S8029 68-82 SUPPORT-spindle, RH, w/large lower shock support ears, 68-74 repl. reconditioned original146.55
- S8107 68-82 WASHER - rear spindle6.80

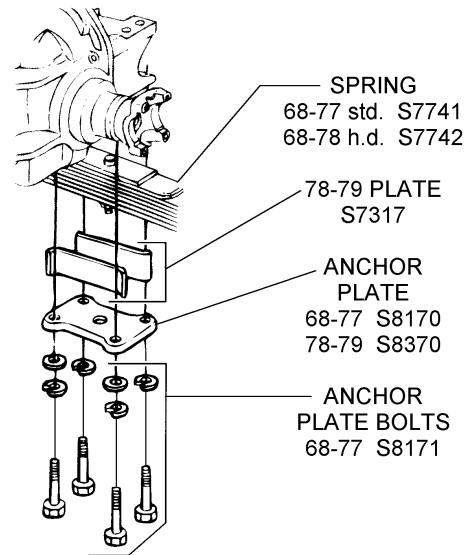


- S8124 68-82 MOUNT KIT - rear spring, bolts, washers, cushions, nuts & cotter pins, does both sides, all GM style components39.50
- S8301 68-82 MOUNT KIT - rear spring, same contents as S8124 except some not original looking31.95
- S7392 68-82 MOUNT KIT - outer rear spring, 8' bolt for adjusting ride height, w/polyurethane cushions.42.95
- S8153 68-82 NUT - spring mount, outer, castle style, (ea)1.75
- G5005 68-82 PAINT - rear spring gray, 12 oz aerosol8.40
- S8170 68-77E PLATE - rear spring mount anchor, (5/8' bolt holes)29.95

Rear Suspension: Spring & Related



- S8171 68-77 BOLT - rear spring mount anchor plate, 9/16' x 3 1/2'3.75
- S8145 68-82 BOLT - spring mount, outer, (ea)15.70
- S7929 68-79 BOLT & NUT - rear spring center5.50
- S8313 68-77E BOLT KIT - rear spring mount anchor plate, 9/16' x 3 1/2', (8 pc.)15.50
- S9382 77L-79 BOLT KIT - rear spring mount anchor plate, 7/16' x 3 1/2', (8 pc.)12.00
- S7314 80-82 BOLT KIT - rear spring mount plate, stock size for original spring11.95
- S7371 80-82 BOLT KIT - rear spring mount plate, long, for use w/replacement spring16.55
- S8208 68-77E BOLT KIT - rear end cover mount (77L-82 GM repl.), 7/16' x 3 1/2' (8 pc.)9.95
- A8080 68-82 COTTER PIN SET - spring mount, outer1.05

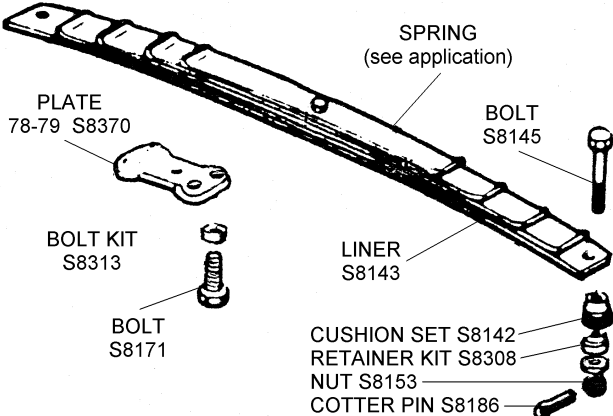


- S8370 77L-79 PLATE - rear spring mount anchor, (1/2' bolt holes)29.00
- S7698 80-82 PLATE - rear spring mount18.50
- S8308 68-82 RETAINER/CUP - spring mount, outer2.50
- S8308 68-82 RETAINER/CUP - spring mount, outer2.50
- S7317 77-79 SPACER PLATE SET - rear spring, w/FE7, 2pc . .12.50
- S7742 68-78 SPRING - heavy duty, rear 2-2 1/4 wide (7 leaf) (on '78 you must check spring width) . .149.95

NOTE: We do not recommend the heavy duty spring unless your Corvette came equipped with it or you plan to convert it for racing.

- S7741 68-77 SPRING - standard rear, 9 leaf, 2 1/4' wide 129.95
- S7786 78-82 SPRING - rear, all w/o fiberglass spring, 2 1/2 wide, 9 leaf139.95

NOTE: 1968-78 rear springs are 2"-2 1/4" wide, 1978-82 rear springs are 2 1/2" wide. To insure you get the right spring, measure spring at the rear end because the rear end cover may have been changed.



- S8142 68-82 CUSHION SET - rear spring mount, outer, (4 pc.)10.50
- S7707 68-82 CUSHION SET - rear spring mount, outer, (4 pc.), polyurethane20.55

- S8143 68-75 SPRING REBUILD KIT - 7 leaf spring, includes: liner kit, center bolt w/nut & paint ...

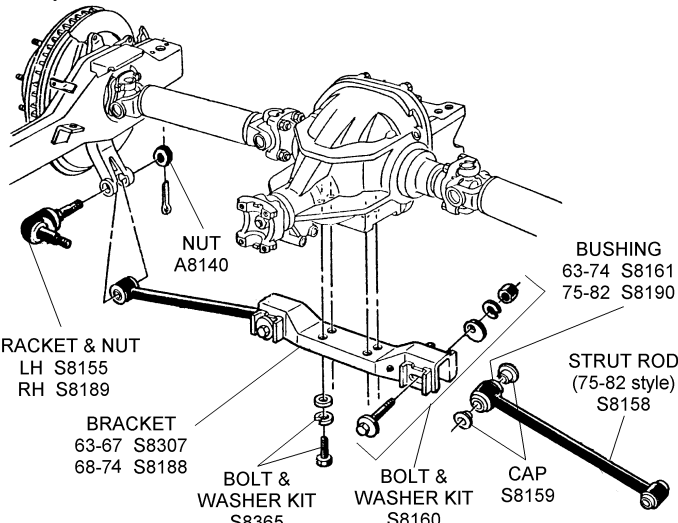
.....	55.00
S8141 68-82 WASHER - spring mount, outer	2.25

Rear Suspension: Spring - Fiberglass

Improve ride with a Rear Fiberglass mono-spring kit by "VETTE BRAKES", the leader in Fiberglass spring technology. It's simple. When it's time to replace your rear spring, bolt on a fiberglass spring. You'll find it gives you a smoother, more comfortable ride, and increased handling also. Gone is the choppy, "squeaky" ride associated with steel springs. Other benefits: Fiberglass lasts 5 times longer than steel. Won't rust. Won't take a permanent set. Carries a limited 5-year warranty. And best of all, it's available in a wide range of spring rates to match your individual car and driving needs. The rear spring kits shown below include the fiberglass mono-spring; adjustable spring bolt kit featuring 8" long spring bolts and polyurethane or rubber cushions; a plate mounting kit; and instructions.

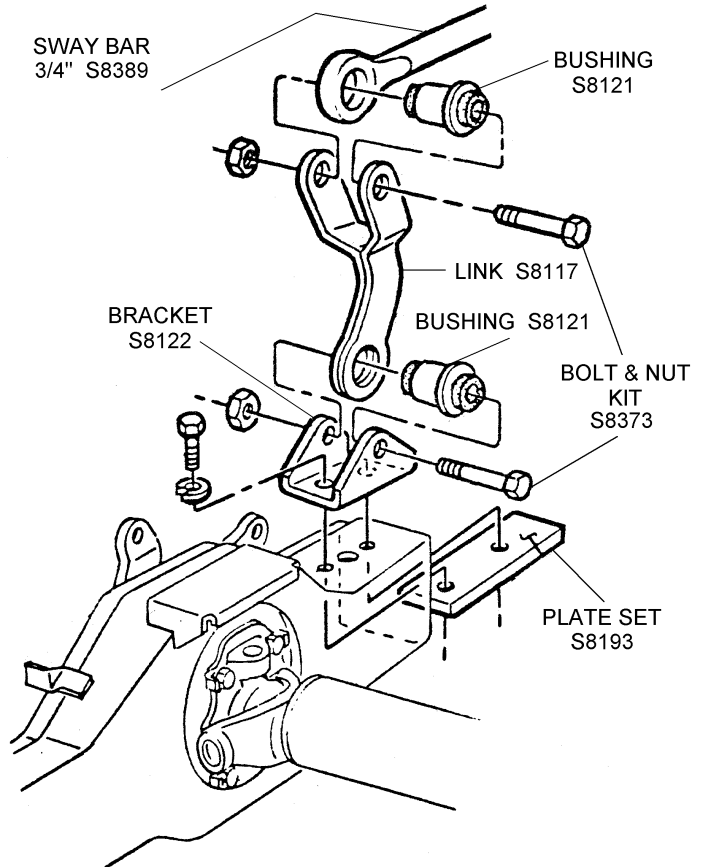
S7793 68-79	SPRING - rear, 300lb w/polyurethane cushions	379.95
S7702 80-81	SPRING - rear, 300lb w/polyurethane cushions	379.95
S7789 68-79	SPRING - rear, 300lb w/rubber cushions	339.00
S7797 80-81	SPRING - rear, 300lb w/rubber cushions	339.00
S7794 68-79	SPRING - rear, 330lb w/polyurethane cushions	379.95
S7703 80-81	SPRING - rear, 330lb w/polyurethane cushions	379.95
S7790 68-79	SPRING - rear, 330lb w/rubber cushions	339.00
S7798 80-81	SPRING - rear, 330lb w/rubber cushions	339.00
S7795 68-79	SPRING - rear, 360lb w/polyurethane cushions	379.95
S7704 80-81	SPRING - rear, 360lb w/polyurethane cushions	379.95
S7791 68-79	SPRING - rear, 360lb w/rubber cushions	339.00
S7799 80-81	SPRING - rear, 360lb w/rubber cushions	339.00
S7796 68-79	SPRING - rear, 420lb w/polyurethane cushions	379.95
S7705 80-81	SPRING - rear, 420lb w/polyurethane cushions	379.95
S7792 68-79	SPRING - rear, 420lb w/rubber cushions	339.00
S7700 80-81	SPRING - rear, 420lb w/rubber cushions	339.00

Rear Suspension: Strut Rod & Related



S8160 68-82	BOLT KIT - camber rod adjust bolt kit, w/nut/washer	22.95
S7933 68-79	BOLT SET - rear strut rod bracket to differential cover	7.30
S8161 68-74	BUSHING - rear strut rod, (2 req.) (ea)	12.95
S8190 75-82	BUSHING - rear strut rod, (2 req.) (ea)	13.95
S8206 68-74	BUSHING SET - strut rod, polyurethane, 1 1/2" OD rod eye size, does 1 strut rod, (2 req.) (ea)	29.95
S8207 75-82	BUSHING SET - strut rod, polyurethane, 1 3/4" OD rod eye size, does 1 strut rod, (2 req.) (ea)	29.95
S8188 68-79	BRACKET - rear strut rod support, under rear end, reconditioned original	40.00
S8185 80-82	BRACKET - rear strut rod support, under rear end, reconditioned original	80.00
S8159 68-82	CAP - rear strut rod bushing	1.95
S7105 68-74	STRUT ROD - original small bushing style, reconditioned original w/new bushings installed	105.75
S8158 68-79	STRUT ROD - rear, w/bushings, (w/75-82 type bushings)	47.95
S8332 68-79	STRUT ROD - adjustable, w/polyurethane bushings, (pr)	118.95
S8333 80-82	STRUT ROD - adjustable, w/polyurethane bushings, (pr)	119.95

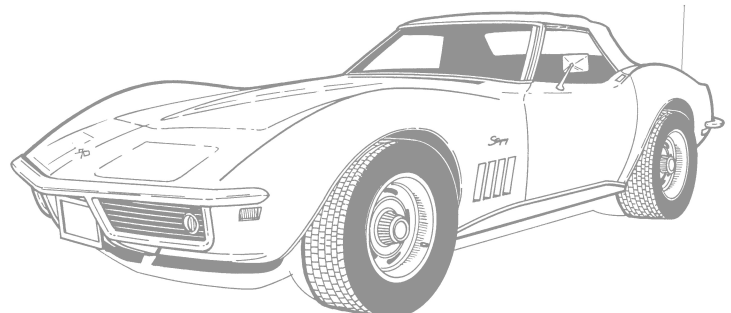
Rear Suspension: Sway/Stabilizer Bar



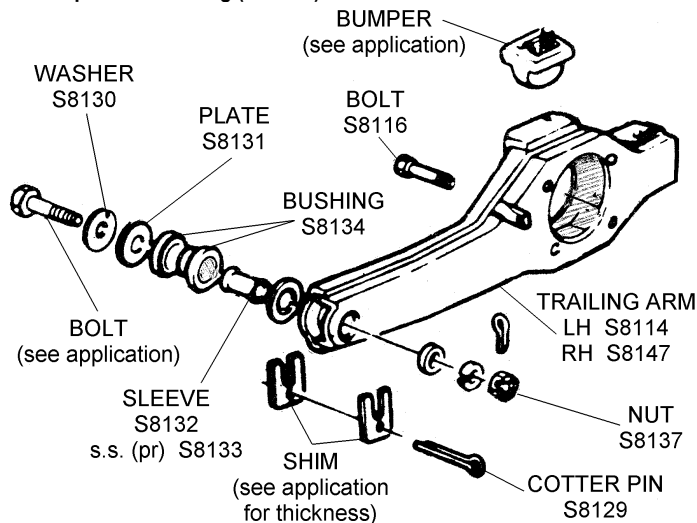
S8388 68-82	BOLT KIT - rear stabilizer bar bracket	4.50
S8373 68-82	BOLT & NUT KIT - rear stabilizer link	5.35
S8341 68-82	BOLT & NUT KIT - rear stabilizer bar brackets, 'Anchor' hm	6.20
S8119 68-74	BRACKET - rear stabilizer bar 427/454	10.00
S8122 68-82	BRACKET - rear stabilizer link	6.50
S8118 68-74	BUSHING - rear stabilizer bar 427/454	9.20
S8202 68-74	BUSHING - rear stabilizer bar 327/350	5.65
S8121 68-82	BUSHING - rear stabilizer link	6.80
S7936 68-82	BUSHING SET - rear stabilizer link, polyurethane, (4 pc.)	14.95
S8095 68-72	BUSHING SET - stabilizer bar 3/4", polyurethane (pr)	35.80
S8011 68-74	BUSHING SET - rear stabilizer bar 9/16", polyurethane, (pr)	29.95
S8015 75-82	BUSHING SET - rear stabilizer bar 7/16", polyurethane, (pr)	29.95
S8391 68-82	BUSHING SET - rear stabilizer bar, 5/8" polyurethane, (pr)	29.95
S8390 68-82	BUSHING SET - rear stabilizer bar, 1" polyurethane, (pr)	29.95

NOTE: Polyurethane sway bars bushings look stock and improve handling. We suggest you measure your sway bar prior to ordering.

S8193 68-82	PLATE SET - rear stabilizer link bracket retainer, 65-74 396/427/454, 75-82 w/HD suspension, pr	13.75
S8117 68-82	STABILIZER LINK - w/bushing, rear	22.00
S8351 68-74	STABILIZER LINK KIT - incl. S8193, S8122, S8117, S8373 (2) S8121 (does one side)	37.95
S8389 68-82	SWAY BAR - rear 3/4"	159.95

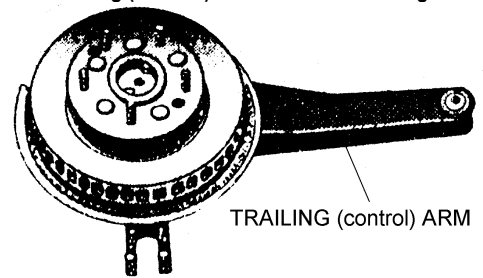


Rear Suspension: Trailing (Control) Arm



S8135	68-82	BOLT - rear control arm bolt, (at frame)	5.95
S9398	68-82	BOLT KIT - front trailing arm mounting at frame, stainless steel	46.95
S8315	68-82	BOLT KIT - front trailing arm mounting, grade 5 'TR' head mark bolts w/washers, castle nuts, 2 cotter pins, zinc plated, does both sides, (10 pc.)	22.75
S8043	68-82	BOLT SET - rear brake caliper, double circle head mark, (4 pc.)	5.25
S8104	68-75	BUMPER - rear trailing arm, rubber	11.95
S8115	76-82	BUMPER - rear trailing arm, rubber w/nut	16.95
S8134	68-82	BUSHING - front of rear control arm, (2 req.) (ea)	11.40
S8151	68-82	BUSHING & SLEEVE KIT - does 2 trailing arms, 4 bushings, 4 caps & 2 sleeves	39.95
S8204	68-82	BUSHING SET - front of rear control arm, POLYURETHANE, (must use shell from old bushing), . does both arms, (4 pc.)	32.95
S8129	68-82	COTTER PIN - rear, control arm shims	1.95
S8149	68-82	MOUNT KIT - trailing arm to frame (bolt, shims, sleeve, beveled washer, standard bushing, lock washer, nut & cotter pins) (kit does one side)	205.10
S8137	68-82	NUT - rear control arm bolt, castle/slotted type	1.65
S8131	68-82	PLATE - rear control arm bushing	1.95
S8322	68-82	SHIM - control arm to frame, rear, (1/64' thick)	8.75
S8320	68-82	SHIM - control arm to frame, rear, (1/8' thick)	4.00
S8321	68-82	SHIM - control arm to frame, rear, (1/32' thick)	4.00
S8128	68-82	SHIM - control arm to frame, rear, (1/4' thick)	4.00
S8358	68-82	SHIM KIT - control arm to frame, rear, 16 pc (4-1/8', 8-1/32', 4 1/4'), steel/zinc plated and cleared, does 2 arms	29.25
S8359	68-70	SHIM KIT - control arm to frame, rear, 18 pc (4-1/64', 6-1/8', 4 1/32, 4-1/4'), stainless steel, does 2 arms, holes on either end/CORRECT	42.25
S8380	71-82	SHIM KIT- control arm to frame, rear, 16 pc. (4-1/8', 8-1/32', 4-1/4'), stainless steel, does 2 arms, hole on 1 end, slot on other	42.25
S8132	68-82	SLEEVE - rear, control arm bushing, 2 req. ea	5.95
S8133	68-82	SLEEVE - rear, control arm bushing, stainless, pr	17.95
S8116	68-82	STUD/BOLT - presses in rear trailing arm, 4 required, ea.	3.05
S8114	68-82	TRAILING ARM - w/front bushings installed, LH	209.95
S8147	68-82	TRAILING ARM - w/front bushings installed, RH	209.95
S8130	68-82	WASHER - rear control arm bolt	1.90

Rear Suspension: Trailing (Control) Arm Re manufacturing



BASIC REBUILD: S8183 and S8184 Includes wheel bearing housing cleaning and setup with: new bearings, races, seals, spacer, and correct shims. (Customer needs to supply bearing housing and axle spacer. Price does not include disassembly of trailing arm, pressing-out or installation of spindle.)

S8183	68-82	BEARING ASSEMBLY - support R&R, standard, LH	189.95
S8184	68-82	BEARING ASSEMBLY - support R&R, standard, RH	189.95

INTERMEDIATE REBUILD: Includes disassembly of bearing support (press out spindle) and cleaning of all components. Assembly includes new bearings, races, seals & bearing dust shield along with any new shims necessary to "set up" correct bearing tolerances. Bearings are pre-loaded with Hi-Temp grease. The spindle is press installed into the bearing support with the caliper bracket and splash shield. (Customer needs to supply bearing housing with caliper flange dust shield, spindle flange and axle spacer. Price does not include removal of bearing support from trailing arm or installation of parking brake hardware or housing on trailing arm.)

S8178	68-82	SUPPORT - bearing assembly, R&R intermediate, LH	239.95
S8303	68-82	SUPPORT - bearing assembly, R&R intermediate, RH	239.95

DELUXE REBUILD: Deluxe R & R on S8304 and S8305 includes everything under S8178 and S8303 along with complete disassembly of trailing arm. Trailing arm is cleaned, plated and new front bushings installed. Stainless steel parking brake hardware kit and standard parking brake shoes are installed. Completely assembled minus rotor, ready to be installed. Optional (additional charge): New brake dust shield, stainless steel parking brake shoes. Inquire!

S8197	68-82	TRAILING ARM ASSEMBLY - new, LH	934.95
S8198	68-82	TRAILING ARM ASSEMBLY - new, RH	934.95
S8304	68-82	TRAILING ARM ASSEMBLY - R&R deluxe, LH	379.95
S8305	68-82	TRAILING ARM ASSEMBLY - R&R deluxe, RH	379.95

REAR TRAILING ARMS - NEW! Parts S8197 and S8198 includes new trailing (control) arm, bearing support and bearings, spindle and spacers, caliper splash shield, stainless steel parking brake kit and shoes along with various other parts. All assembled - ready to bolt on.

SWITCHES, RELAYS & RELATED - NOS, RESTORED & NEW

Switches - Delco, NOS / Reconditioned

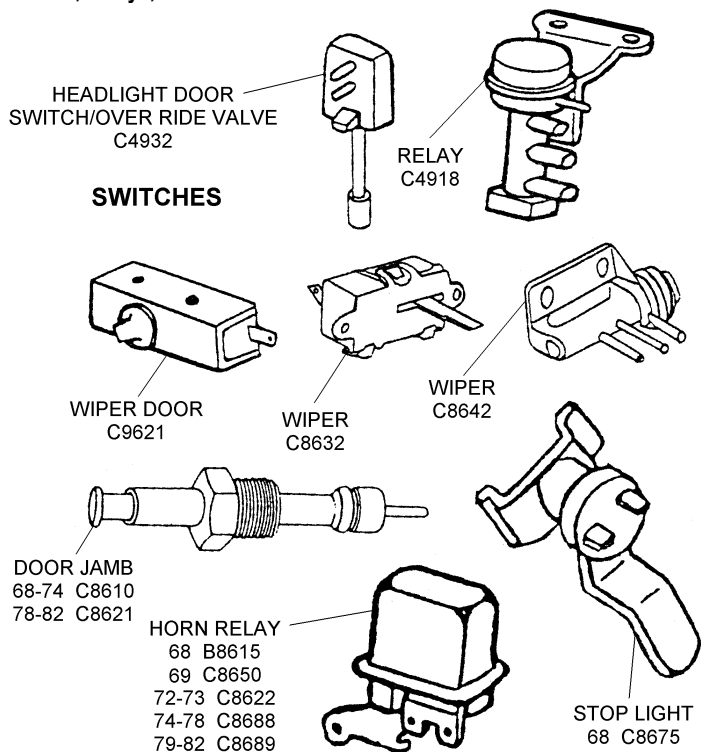
B8691	68	FLASHER - turn signal, Signal Stat #145, NOS, embossed, original	29.95
B8652	69-73	FLASHER - NOS Tungsol #224 w/o DOT logo - blue plastic - 2 bulb / NOS original	22.95
C8603	74-82	FLASHER - 2 bulb, Tungsol #224 w/DOT, blue plastic, nos / original / correct	14.95
C6907	72-73	RELAY / SWITCH - transmission spark control, controls spark delay, GM #6270698, NOS	34.95
C6907	72-73	RELAY / SWITCH - transmission spark control, controls spark delay, GM #6270698, NOS	34.95
C0238	69-72	RELAY - heater/AC blower, NOS Delco #1115881	39.95
C8695	68	RELAY - horn, restored original #1115862, w/o alarm	95.00
C8696	69-70	RELAY - horn, restored original #1115890, w/o alarm	95.00
C8697	71	RELAY - horn, restored original #1115889	80.00
C8698	72	RELAY - horn, restored original #3996283	95.00

NOTE: C8695-98 are original horn relays that are tested, restored and ready to install.

C6905	71-72	RELAY - carburetor idle/anti-dieseling blocking, all w/AC, GM #3996204, NOS	54.95
C6906	72	RELAY / SWITCH - transmission spark control, controls vacuum advance delay, GM #3996297, NOS	34.95
A1976	68-78	SENDING UNIT - temperature, original w/logo, pretested	29.95
C3777	68-70	SOLENOID/IDLE CONTROL - NOS GM #1114421	104.95
C3750	70	SOLENOID/SPARK CONTROL - all w/350, GM #1114432	174.95
C3770	70	SOLENOID/SPARK CONTROL - w/454, GM #1114434, restored	139.95

C3753	71	SOLENOID/IDLE CONTROL - all w/350/454, GM #1114444, LH side of carburetor, w/correct decal	109.95
C3751	72	SOLENOID/SPARK CONTROL - all w/350, GM #1114451	85.00
C3752	73-74	SOLENOID/SPARK CONTROL - all w/350, w/manual transmission, GM #1997410	85.00
C9669	68-72	SOLENOID/VALVE - wiper door on rear of tachometer, (used)	105.00
C0232	68-69	SWITCH - heater, all w/AC, blower low speed, push button, type 2 Terminal mounts under dash on heater AC plenum, NOS GM #3870286	39.95
C8601	68	SWITCH - ignition	69.95
C8607	69	SWITCH - ignition w/tele	52.40
C8605	69	SWITCH - ignition w/o tele	52.45
C8577	81-82	SWITCH - power mirror control, RH/LH select, reconditioned	94.00
C8576	81-82	SWITCH - power mirror control, rotates head, reconditioned	94.00
C6910	70-71	SWITCH - transmission spark control, GM #3961567, NOS	34.95
C8639	78E	SWITCH - windshield wiper control, w/pulse, GM #470317, NOS	94.95
C6007	77-78	TIMER - courtesy lamp delay, used/guaranteed	80.25

Switches, Relays, Solenoids & Related

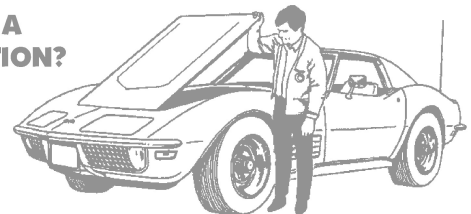


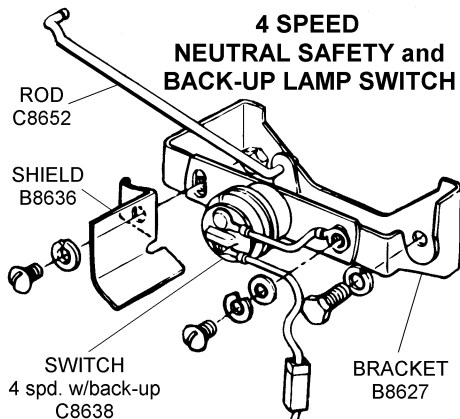
C2670	78-82	ACTUATOR - power door lock, (2 req.) (ea)	39.95
B8627	68-73	BRACKET - back-up light switch, all w/4 speed	9.95
C2661	70-72	BUMPER SET - door jamb, door ajar warning switch	6.40
B7154	68-69	CAPACITOR - turn signal	27.00
C4930	68-82	CHECK VALVE - vacuum, headlight reservoir	17.85
B2696	68-74	CIRCUIT BREAKER - power windows	26.50
C2580	75-78	CIRCUIT BREAKER - power windows	18.00
C2581	79-82	CIRCUIT BREAKER - power windows	19.50
C1667	68-82	CLIP - backup light switch rod	1.50
C8685	68-80	CLIP - turn signal flasher	6.95
C8694	68-82	CONTROL ASSEMBLY - heater, on console, w/ or w/o AC, restoration	199.95
C3792	70	DE-ACCELERATOR VALVE - Rochester Q-Jet carburetors: 7040203 / 7040205 / 7040207 / 7040213 / 7040503 / 7040504 / 7040505 reconditioned original	124.95
B8648	68-82	FLASHER - 4 way, Signal Stat #175 repl.	19.95
A8681	68	FLASHER - turn signal, 3 lamp	5.25
A8679	69-82	FLASHER - turn signal, 2 lamp	7.95
C0045	70-74	HARNESS - TCS jumper wire	15.55
B8640	68-71	HORN RELAY - w/correct DELCO script on lid w/o part number	67.95
C9661	68-72	KNOB - wiper over ride switch	16.95
C2177	68-71,77	KNOB & ROD - headlight switch	18.10
C2116	72-76	KNOB & ROD - headlight switch	36.55
C6109	70L-77	LOCK & KEY - theft alarm, mounted in left front fender	36.95

B2075	68-74	NUT & LOCK WASHER SET - power window circuit breaker	225.00
A1014	68-82	NUT SET - brake light switch, (pr)	2.50
A8680	68-76	PLUG/CONNECTOR & TERMINAL KIT - dimmer switch	4.00
B4910	68-82	PLUG/CONNECTOR & WIRE - power window switch	16.55
C9778	77-80	RELAY - anti theft, mounts under shifter console	48.95
C0240	81-82	RELAY - anti theft GM# 1616422	24.95
C6055	78-82	RELAY CONTROL - courtesy lamp timer relay	89.95
B0221	68	RELAY - heater/AC blower	16.95
C0235	69-76	RELAY - heater/AC blower	19.30
C0236	77-79	RELAY - heater/AC blower cut out	27.60
C0237	79-82	RELAY - heater/AC blower, 79-82 AC hi blower cut out, 80-81 heater & AC blower motor cut out	7.90
C8650	68-71	RELAY - horn / 3 slide on terminals on botton w/ 2 screw on side terminals, replacement	39.95
C8622	72-73	RELAY - horn	79.95
C8689	74-78	RELAY - horn	11.95
C8688	79-82	RELAY - horn	14.95
C2690	68-78	RELAY - power windows	24.95
C8580	78	RELAY - rear window defogger	58.85
C8667	79	RELAY - rear window defogger, original/tested	CALL
C8581	80E	RELAY - rear window defogger	49.95
C4918	68-72	RELAY - wiper door/headlight actuator solenoid valve on inner fender	72.25
C7963	70-82	RETAINER - horn contact snap ring, w/insulator, amber plastic	12.05
C8652	68-74	ROD W/CLIPS - back-up lamp switch, 3 pc	9.00
B3002	68-75	SCREW - horn relay mount	1.00
B8894	68-78	SCREW SET - back-up light switch mounting, 4 pc.	1.45
A8678	68-76	SCREW SET - dimmer switch, (2 pc.)	2.60
A2002	68-78	SENDING UNIT - water temperature	8.00
A0022	68-78	SENDING UNIT - water temperature, pre-calibrated replacement	21.30
C8669	79-80	SENDING UNIT - water temperature, in block, (1 blade)	30.60
C8680	81-82	SENDING UNIT - water temperature	19.35
C3121	80-81	SENSOR - oxygen, EGO	50.10
C3122	82	SENSOR - oxygen, EGO	50.10
NOTE: The oxygen sensor detects the amount of oxygen present in the exhaust gases in relation to the surrounding atmosphere. Then it sends that signal to the E.C.M. for analysis.			
B8636	68-74	SHIELD - back-up light switch, w/4 speed	9.00
C3735	73-75	SOLENOID - hood air intake door	44.95
C3760	71-72	SOLENOID - idle control, left side of carburetor, replacement	39.60
C3761	73-74	SOLENOID - idle control, left side of carburetor, replacement	69.95
C3759	75-76	SOLENOID - idle control, left side of carburetor, replacement	CALL
C3750	70	SOLENOID/SPARK CONTROL - all w/350, GM #1114432	174.95
C3770	70	SOLENOID/SPARK CONTROL - w/454, GM #1114434, restored	139.95
C3781	72	SOLENOID / SPARK CONTROL - w/454 GM #1114453, right side of carb	199.95
C3752	73-74	SOLENOID/SPARK CONTROL - all w/350, w/manual transmission, GM #1997410	85.00
C3782	73-74	SOLENOID - spark control, w/454 manual trans., GM #1997411 / RESTORED OR NOS	224.95
C3784	74	SOLENOID - spark control, 350 L-48, GM #1997425	85.00
B5150	68-71	STUD PLATE - horn relay fastener	14.70
C8691	81-82	SWITCH & HARNESS - power seat	129.35
C8777	77L-82	SWITCH & LIGHT KIT - glove box w/terminal & bulb	10.75
C8651	75-77E	SWITCH - alarm, anti theft	23.95
C8676	77L-78	SWITCH - alarm on/off w/harness, drivers door	33.50
C8677	79-80	SWITCH - alarm on/off w/harness, drivers door	33.50
C8649	81-82	SWITCH - alarm on/off w/harness, drivers door, LH	33.50
C8655	81-82	SWITCH - alarm on/off w/harness, passenger door, RH	33.50
C8711	70-77	SWITCH - automatic transmission control (down shift)	36.60

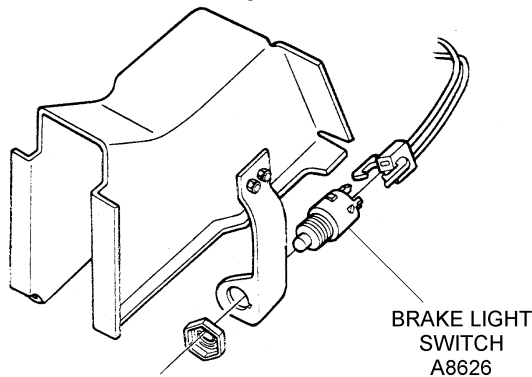
DO YOU HAVE A TECHNICAL QUESTION?

Call our technical department at 708-458-2500 for assistance.

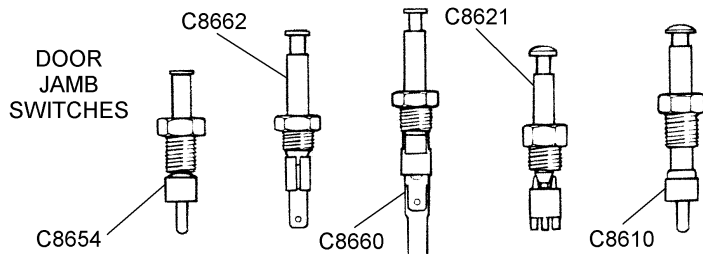




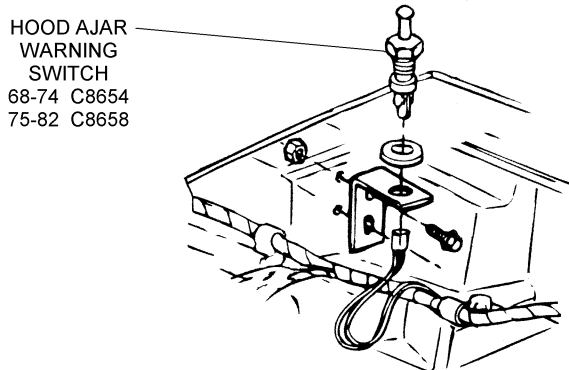
- C8638 68-78 SWITCH - back up light, w/4 speed trans, (except 78 w/L48 w/4 spd)69.95
- C8641 78 SWITCH - back-up light, w/4 speed, L48, w/Borg Warner trans.19.00
- C8673 79 SWITCH - back-up light, w/manual transmission, 'T' shape wire connector69.95
- C8674 80-81 SWITCH - back-up light, w/manual transmission79.95
- C8675 68 SWITCH - brake light, w/lever59.95



- A8626 69-82 SWITCH - brake light, all 68-76, 77-81 w/4 speed9.25
- C1183 77-82 SWITCH - brake light, 77-80 w/cruise control, 81-82 w/auto cruise13.75
- C1184 80-82 SWITCH - brake light, automatic except w/cruise control11.95
- C8664 75-82 SWITCH - courtesy lamp, RH4.30
- C8658 74-82 SWITCH - door ajar warning, rear door jamb ...9.95
- C8666 79-82 SWITCH - door ajar warning14.00

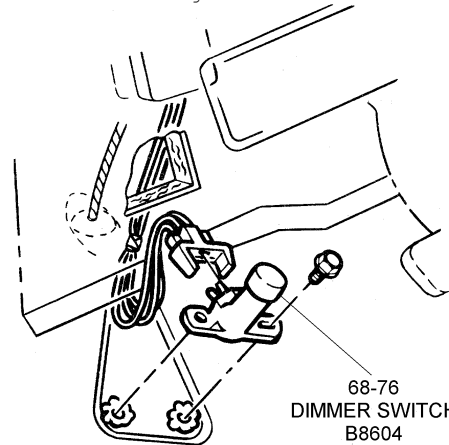


- C8610 68-74 SWITCH - door jamb, courtesy lamp/key warning8.95

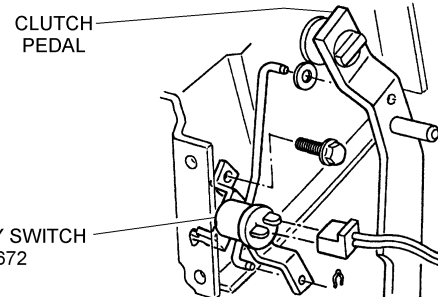


- C8654 68-74 SWITCH - 68/72 door jamb, ajar warning, hood alarm warning 69/749.95
- C8662 75-77 SWITCH - door jamb, RH front8.95
- C8660 75-82 SWITCH - door jamb, 75-78 LH, 79-82 RH10.95
- C8621 78-82 SWITCH - door jamb, 78 RH, 79-82 LH19.95
- C8612 68-77 SWITCH - headlight, on dash44.95

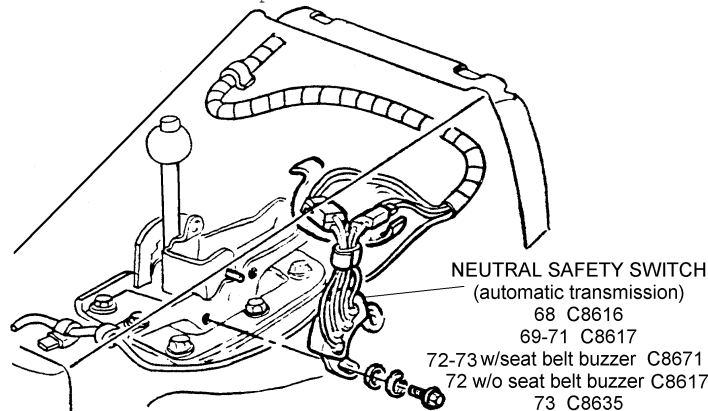
- C8614 78-82 SWITCH - headlight44.95



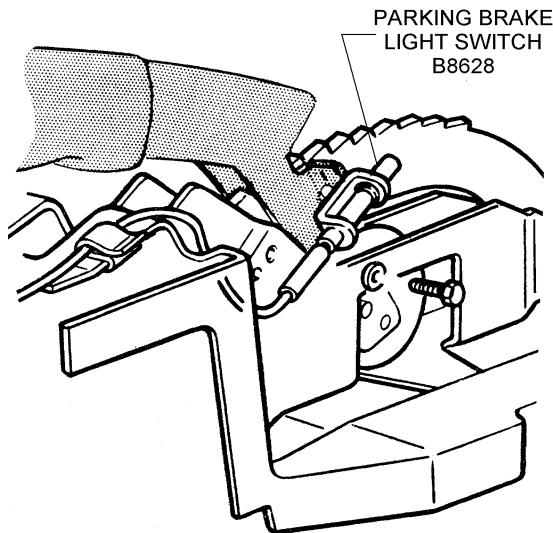
- B8604 68-76 SWITCH - headlight dimmer10.40
- C8686 77-78 SWITCH - headlight dimmer34.50
- C8687 79-82 SWITCH - headlight dimmer29.50
- C8651 69-77 SWITCH - headlight door opening warning23.95
- C0232 68-69 SWITCH - heater, all w/AC, blower low speed, push button, type 2 Terminal mounts under dash on heater AC plenum, NOS GM #387028639.95
- C8644 68-76 SWITCH - heater, w/o AC28.00
- C8646 68-76 SWITCH - heater, w/AC24.50
- C5114 77-82 SWITCH - heater & AC blower control15.95
- C8690 68 SWITCH - ignition58.95
- C8604 69-82 SWITCH - ignition, w/T & T wheel16.95
- C8606 69-79 SWITCH - ignition, w/o T & T wheel13.35



- C8672 69-81 SWITCH - neutral safety, w/4 speed, mounts on clutch pedal77.60



- C8616 68 SWITCH - neutral safety & back-up lamp, automatic trans.69.95
- C8617 69-72 SWITCH - neutral safety & back-up lamp, automatic trans., 69-71 all, 72 w/o seat belt buzzer72.95
- C8671 72-73 SWITCH - neutral safety & back-up lamp, automatic trans. 72 w/seat belt warning buzzer, 73 all52.50
- C8619 74-75 SWITCH - neutral safety & back-up lamp, automatic trans.74.95
- C8620 76-82 SWITCH - neutral safety & back-up lamp, automatic trans.69.95
- C8678 73-81 SWITCH - oil pressure sender41.45
- C8679 81-82 SWITCH - oil temperature sender18.70



- B8628 68-82 SWITCH - parking brake warning light25.95
- C8693 78-82 SWITCH - power door lock37.95
- C8648 68-82 SWITCH - power window19.40
- C8681 78-80E SWITCH - rear window defogger59.95

NOTE: 78-80E rear window defogger switches had 3 straight and 1 offset terminal, 1" OL. 1980L-82 has 4 straight terminals in a row, 1 1/2" OL.

- C0355 78 SWITCH - T TOP alarm, LH21.55
- C0354 78 SWITCH - T TOP alarm, RH20.70
- C0343 79-82 SWITCH - T TOP alarm, LH20.70
- C0352 79-82 SWITCH - T TOP alarm, RH20.70
- C2257 79-80 SWITCH - temperature, engine cooling fan15.25
- C8633 71-73 SWITCH - thermal, in RH head22.75
- C8626 70-77 SWITCH - transmission control, auto trans., downshift24.75

- C8628 70-71 SWITCH - transmission spark control, 4 speed, TCS16.95
- C8629 72-73 SWITCH - transmission spark control, auto trans.28.00
- B7954 68 SWITCH - turn signal, w/harnessCALL
- C7930 69-76 SWITCH - turn signal, w/harness, w/T & T wheel69.95

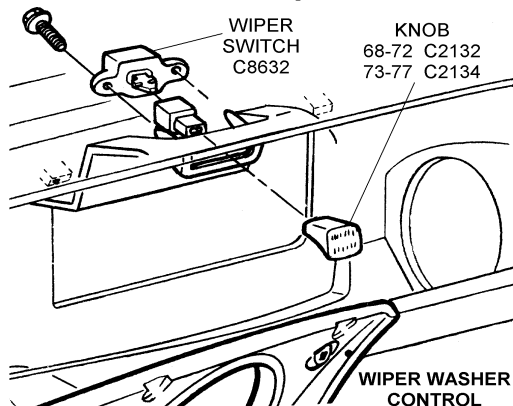
- C7645 77-79E SWITCH - turn signal, w/harness, w/T & T wheel89.95
- C7928 79E SWITCH - turn signal, w/harness, w/tilt & tile39.95

NOTE: Early '79 Corvettes use a straight turn signal lever, late '79 use a bent lever.

- C8684 79L-82 SWITCH - turn signal, w/harness, w/T & T wheel21.00
- C7928 69-79E SWITCH - turn signal, w/harness, 1969-76 w/o T & T wheel, 1979E w/tilt & tile39.95

NOTE: Early '79 Corvettes use a straight turn signal lever, late '79 use a bent lever.

- C3038 77-81 SWITCH - vacuum release on brake pedal to cancel cruise control17.85
- C3039 82 SWITCH - vacuum release on brake pedal to cancel cruise control19.85
- C3000 77 SWITCH - windshield wiper, w/T & T199.95
- C2430 77 SWITCH - windshield wiper, w/o T&T, NOS99.95



- C8632 68-76 SWITCH - windshield wiper, on center dash ...45.00
- C9621 68-72 SWITCH - wiper door limiting, on firewall, micro type, (w/o harness)35.95
- C8642 68-72 SWITCH - wiper vacuum on firewall, (valve) ..24.95
- C8640 70-72 SWITCH - windshield wiper override20.95
- C9590 75-82 SWITCH & TERMINAL BOARD - wiper motor48.45
- C5265 77-82 SWITCH KIT - under hood lamp, on/off23.75
- C6190 68-70E LOCK & KEY - theft alarm, mounted in rear tail light panel32.95
- C4932 68-82 SWITCH/OVER RIDE VALVE - light vacuum door opening, under dash20.95

TOOLS

Battery

- A8313 68-82 PLIERS - spring-ring battery cable removal ...42.45
- A8319 68-82 PULLER - battery cable end, standard3.95

Brakes

BRAKE SPRING PLIERS - A8310



- A8310 68-82 PLIERS - brake spring installation/removal ...7.95

COMBINATION BRAKE SPRING COMPRESSOR

A8321



- A8321 68-82 TOOL - brake shoe hold-down spring compressing, removal & installation9.75
- B1048 65-82 TOOL - disc brake caliper pad restraining, (4 pc.)16.80
- B1286 68-82 TOOL - parking brake11.70

NOTE: Tool B1286 allows installation of parking brake shoes and brake rebuild kit without extensive disassembly.



UNIVERSAL BRAKE ADJUSTER
A8305

- A8305 68-82 TOOL (SPOON) - brake adjusting9.35
- A8309 68-82 WRENCH - brake bleeder5.95

Clutch

- A8304 68-82 TOOL - clutch alignment12.95
- A8320 68-82 TOOL - clutch alignment, economy4.50

Cooling System

- A8313 68-82 PLIERS - hose clamp removal42.45

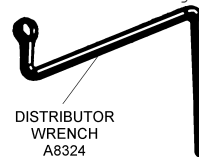
Engine

- A8328 68-82 FEELER GAUGE - for setting valve lash or adjusting points2.95
- C8301 75-82 GAUGE SET - spark plug gap setting2.95

HARMONIC BALANCER PULLER A8308



- A8308 68-82 PULLER - harmonic balancer, heavy duty18.95
- A8302 68-82 PULLER - spark plug boot & cable3.00
- A8317 68-82 REPAIR KIT - spark plug threads in head, (14 mm)11.95
- C8300 68-82 SOCKET - oxygen sensor & vacuum sensor switch9.95
- A8329 68-82 SWITCH - remote control of your starter, w/leads8.95
- A2550 68-74 TOOL - distributor bushing installation9.25



DISTRIBUTOR
WRENCH
A8324

- A8324 68-82 TOOL - distributor loosening/adjusting14.95
- A2531 68-82 TOOL - distributor point adjusting (dwell), flexible, w/special hex head5.95
- B6829 68-82 TOOL - power steering pump pulley removal ...58.65
- A2555 68-82 TOOL - tap guide insert, set screw, tach drive distributor5.95
- A2556 68-82 TOOL - threaded drill guide, tach drive distributor8.75

Exhaust

- A8307 68-82 CHISEL - muffler removal9.95

General

A8300 68-82	BRUSH - parts cleaning	3.25
B7355 64-82	GAUGE - 4 speed shifter adjustment	2.40
A7319 75-81	GAUGE BLOCK - 4 speed adjustment	5.45
A1409 68-82	LUBRICATOR ADAPTER - for injecting grease into speedo/tach cables	23.30
A8326 68-82	MIRROR - telescopic, great for looking at casting dates & numbers in remote locations	4.95
C7991 69-82	PULLER - steering wheel lock plate remover, w/T&T	44.95
C7792 69-82	REMOVER - T&T steering column pivot pin	21.95
C3439 68-76	SCREW SET - sun visor support, (4 pc.)	4.25
A5560 68-82	TIP - screw driver, sun visor nut	5.95
B3949 68-82	TOOL - gas tank meter (sending unit) removal	16.75
C9647 68-72	TOOL - rivet, rivet together wiper door linkage for 'pro' look used in conjunction w/kits C9634 & C9645, (deposit \$45)(rental price)	69.00

NOTE: Tool C9647 may be rented. Order #C9634 Rental of \$15.00.

Interior



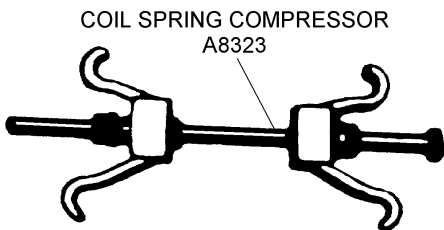
DOOR HANDLE CLIP REMOVER A5959

A5719 68-82	PLIERS - hog ring, seat cover installation, (economy)	6.95
A5768 68-82	PLIERS - hog ring, seat cover installation, (pro model)	29.30
A5767 68-82	PLIERS - hog ring, seat cover installation, (spring loaded)	22.00
B5981 68-82	PLIERS - zigzag spring clip closing	35.00
A5560 68-82	TIP - screw driver, sun visor nut	5.95
C2676 68-82	TOOL - door hinge spring installation	12.60
A5840 68-82	TOOL - firewall insulation fasteners/plug installation	7.35
B5813 68-82	TOOL - seat cover installation, hook shape	13.80
A5959 68-82	TOOL - window crank and door lock knob removal	5.65
A9665 68-82	TOOL - windshield wiper arm removal	8.10
B5982 68-82	TOOL SET - zigzag spring bending, (pr)	30.00

Steering Wheel

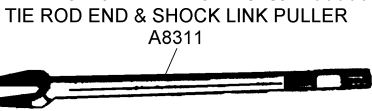
A8312 68-82	PULLER - steering wheel hub	20.50
C7792 69-82	REMOVER - T&T steering column pivot pin	21.95

Suspension



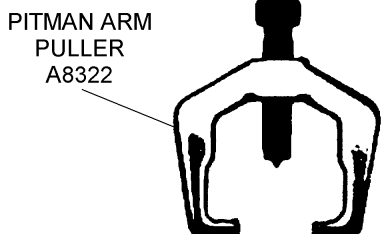
COIL SPRING COMPRESSOR A8323

A8323 68-82	COMPRESSOR - front coil springs	61.85
S8394 68-82	DIAL INDICATOR KIT - universal	114.95



TIE ROD END & SHOCK LINK PULLER A8311

A8311 68-82	FORK - tie rod removal, also useful in removing box arm from control valve stud	15.50
S8023 68-82	GREASER - rear wheel bearings	19.75
A8327 68-82	PLIERS SET - install & remove internal & external snap rings	8.65



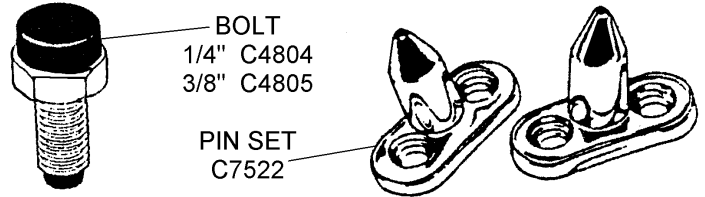
PITMAN ARM PULLER A8322

A8322 68-82	PULLER - pitman arm	39.50
S8400 68-82	TAP & DIE SET - front & rear suspension, (6 pc.)	27.95
S8191 68-82	TOOL - rear shock mount removal	24.95
S8174 68-82	TOOL - rear spindle knocker	19.60
S8195 68-82	TOOL - rear spindle bearing set-up	112.10

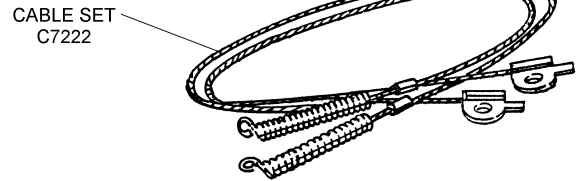
S8317 68-82	TOOL - rear spindle installation press, heavy duty	232.75
S8318 68-82	TOOL - rear spindle installation press	112.10
S8345 68-82	TOOL - rear outer bearing removal	135.35
S8319 68-82	TOOL - strut rod bushing installation	109.85
S8196 68-82	TOOL - trailing arm, front bushing installation	79.00
S8393 53-82	TOOL SET - brass punches, 8', 6', 4'	34.95

TOP ASSEMBLIES & RELATED

Convertible / Soft Top & Hardware



C7591 68-75	BOLT - convertible deck lid, pivot type	12.00
C4804 68-75	BOLT - soft top front latch bolt w/Delrin rubber tip 1/4' OD size head	7.50
C4805 68-75	BOLT - soft top front latch bolt w/Delrin rubber tip 3/8' OD size head	8.65
C7513 68-75	BRACKET - convertible rear bow lock pin	29.00
C6442 68-75	BRACKET - interior mirror and convertible striker plate on windshield frame, satellite finish, convertible	37.95
B4804 68	BUSHING SET - front guide pin, (inserts in strikers) (pr)	5.95
C4824 69-75	BUSHING SET - guide pin receiver, on windshield frame, (pr)	4.00



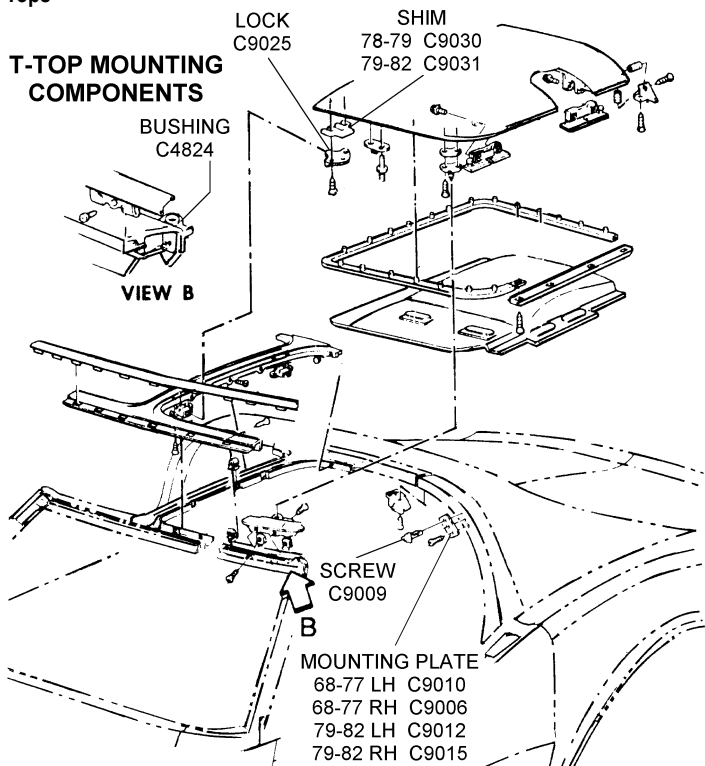
C7222 68-75	CABLE SET - convertible top, side, (pr)	39.95
A5694 68-75	CAP KIT - rear window trim bead end, stainless steel, 2 caps/screws	9.95
C7550 68-75	CD - convertible top installation	69.95
C7553 68-75	CD - convertible top installation, rental, (\$35 deposit refundable if returned within 2 weeks)	69.95
C7595 68-75	CONVERTIBLE TOP FRAME ASSEMBLY - used, original	1,595.00
A4054 68-75	GASKET SET - hard top anchor nut	2.10
C7561 68-75	HARDWARE KIT - convertible frame rebuild	42.95
C7574 68-75	HARDWARE KIT - convertible top weatherstrip installation, 50pc	15.10
C7599 68-75	HEADER BOW - front, convertible top	398.95
C7505 68-75	HOLD IN CORD - rear bow w/strip	6.95
C7525 68-75	LATCH - convertible rear, on deck lid, LH	54.50
C7526 68-75	LATCH - convertible rear, on deck lid, RH	54.50
C7527 68-75	LATCH - convertible, LH & center, (on top)	54.50
C7528 68-75	LEVER - rear bow lock, convertible	9.00
C7503 68-75	PAD SET - convertible, cushions, (pr)	44.95
C7508 68-75	PANEL - convertible, inside header trim panel, plastic	115.10
C7562 68-75	PILLOW - conv., rear window in down position, prevents scratching	20.65
C7522 68-75	PIN SET - convertible front guide, (pr)	17.00
C7519 68E	PIN/LOCK - rear bow, (2 req.) (ea)	14.95
C7518 68-72	PIN/LOCK - rear convertible guide, (6 repl.) (2 req.) (ea.)	9.95
C4828 68-75	PLATE KIT/WEAR PLATES - on body, w/rivets, stainless steel	11.50
C7551 68-75	RESTORATION SERVICE - front head bow, your rusted out header bow repaired, repainted w/new tack strip installed (some may not be repairable)	219.95
C7552 68-75	RETAINER & SCREW KIT - convertible top strap	14.95
C4758 68-69	RETAINER SET - rear quarter trim, (convertible)	36.20
B5236 68-75	RETAINER/GUIDE - brass cable retainer w/screw & convertible front latch cable brass stop w/screw, (ea)	3.45
C7590 68-75	ROD - rear bow lock release, center, w/nuts & clip	13.95
C7538 68-75	SCREW SET - front guide pin, convertible	4.50
C3445 68-76	SCREW SET - window header trim, (6 pc.)	4.55
C7504 68-75	STRAP SET - convertible pull, (pr)	16.95
C7506 68-75	TACK STRIP KIT - convertible, (replacement)	45.00

C7570 68-75	TACK STRIP KIT - convertible, correct material	49.95
A2379 68-75	TAG - warning, rear window, convertible top	3.60
C7500 68-75	TOP KIT-original type-includes pads, straps, cords, top strip w/tips, undated	449.00

Hard Top

A4818 68-75	BOLT - hard top hold-down/side, stainless steel, (4 req.) (ea)	6.90
C4805 68-75	BOLT - hard top latch w/Delrin rubber tip repl. 3/8' OD size head, (ea)	8.65
C4804 68-75	BOLT - soft/hard top latch w/Delrin rubber tip 1/4' OD size head	7.50
B4804 68	BUSHING SET - front guide pin, (inserts in strikers) (pr)	5.95
B4820 68-75	BUMPER SET - rear hard top bolts, (2 pc.)	3.40
C4824 68-75	BUSHING SET - hard top front guide pin, (pr)	4.00
C9034 78-82	BUSHING - pin insert, t-top	6.75
B4826 68-75	FERRULE - in deck lid hard top hold-down	9.10
B4891 68-75	GASKET - hard top rear deck lid ferrule	2.35
A4054 68-75	GASKET SET - hard top anchor nut, (pr)	2.10
C4026 68-75	GASKET SET - latch bezel on deck lid, (pr)	4.65
C7596 68-75	HARD TOP - used, excellent condition	1,495.00
C4806 68-75	HEADLINER - hard top, specify color, (3 pc.)	399.95
G0078 68-75	HOIST - hard top, attaches to garage rafters, keeps your hard top out of the way, incl. hardware & instructions	39.95
C4807 68-75	MOUNT KIT - hard top	34.05
A4862 68-75	NUT - hard top anchor hold down, jamb type, (ea)	1.00
A4860 68-75	NUT - hard top retainer on deck lid, stainless steel	6.80
B4828 68-75	PLUG/BUTTON SET - hard top ferrule on deck lid, (pr)	3.40
C4818 68-75	RETAINER - rear bow lock stud	5.90
C7538 68-75	SCREW SET - front guide pin, hard top	4.50
C4816 68-75	STUD - hard top rear bow lock bolt on top	16.30
B4011 68-75	WASHER SET - hard top, rear bolt, (2 pc.)	1.45
C4803 68-75	WINDOW - hard top, as original	421.50
B4830 68-71	WRENCH - hard top mounting, as original	41.40

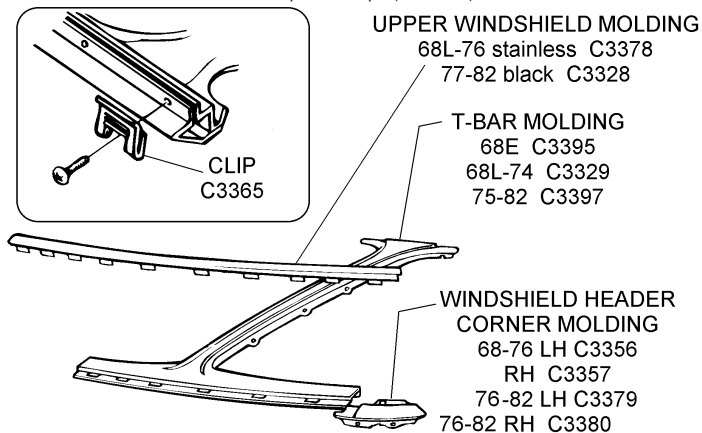
T-Tops



C9002 68-82	BAG SET - deluxe T-top, (black) (pr)	41.40
C6536 68-82	BAG SET - deluxe T-top, (dark blue) (pr)	42.00
C6531 68-82	BAG SET - deluxe T-top, (dark red) (pr)	42.00
C6527 68-82	BAG SET - deluxe T-top, (gray) (pr)	42.00
C6529 68-82	BAG SET - deluxe T-top, (medium blue) (pr)	42.00
C6526 68-82	BAG SET - deluxe T-top, (red) (pr)	42.00
C6535 68-82	BAG SET - deluxe T-top, (tan) (pr)	42.00

C4804 68-75	BOLT - T-top latch bolt w/Delrin (rubber) tip original 1/4' OD size head	7.50
-------------	--	------

C4805 68-76	BOLT - T-top latch w/Delrin rubber tip w/3/8' OD size head, (ea)	8.65
C4824 68-75	BUSHING SET - T-top, front guide pin, (pr)	4.00
C9052 68-82	FASTENER - Velcro fastener-nylon T-top, (ea)	1.55
C9000 68-77	FASTENER SET - T-top liner to T-top, (16 pc/oval)	19.95
C9007 78-79	FASTENER SET - T-top liner to T-top, (18 pc/round)	29.95
C5615 78-82	FASTENER/VELCRO - T-top headliner, nylon, (pr)	3.95
C9091 68-82	LOCK SET - T-top, black, (pr)	66.25
C9090 68-82	LOCK SET - T-top, chrome, (pr)	66.25
C9025 76-82	LOCK - center, front, (chrome)	11.95

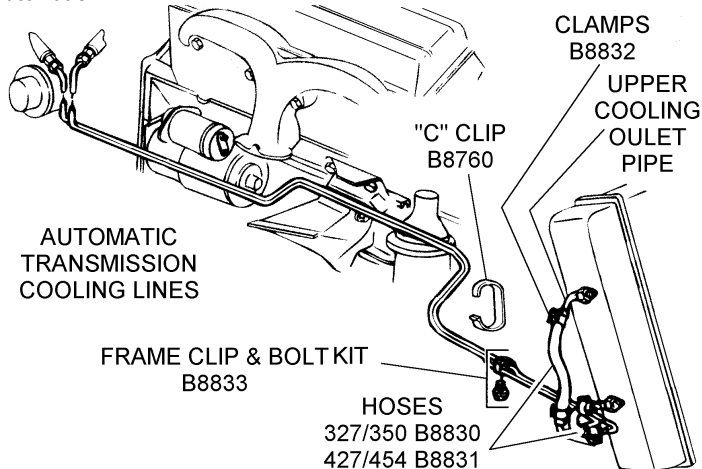


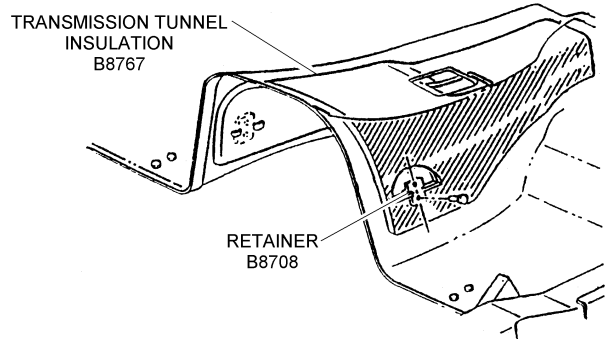
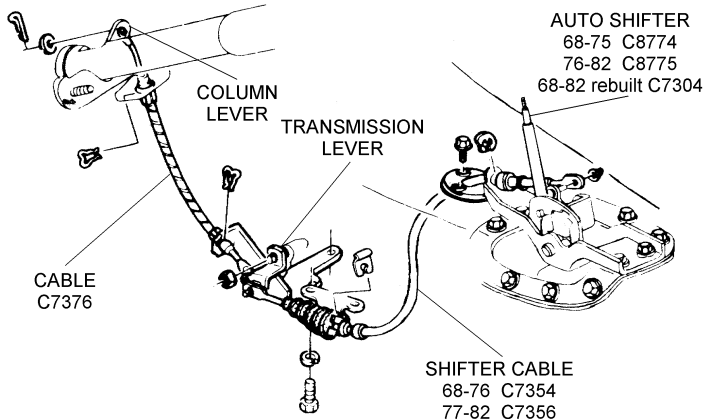
C3395 68E	MOLDING - roof 'T' bar, pre-owned	174.95
C3329 68L-74	MOLDING - roof 'T' bar, stainless steel, stainless steel, pre-owned	149.95
C3397 75-82	MOLDING - roof 'T' bar, used, reconditioned	149.95
C6589 78	MOLDING - T-Top corner, stainless steel, LH	17.20
C6590 78	MOLDING - T-Top corner, stainless steel, RH	17.20
C9076 70-77E	MOUNT KIT - T-Top SS molding	7.20
C9077 77L-82	MOUNT KIT - T-Top SS molding	7.20
C9010 68-77	PLATE W/SCREWS - T-top rear mounting, LH	12.75
C9006 68-77	PLATE W/SCREWS - T-top rear mounting, RH	12.75
C9012 79-82	PLATE - T-top rear mounting, LH, (used/original)	20.00
C9015 79-82	PLATE - T-top rear mounting, RH, (used/original)	23.95
C6591 70-76	RETAINER - T-Top weatherstrip, LH	63.80
C6592 70-76	RETAINER - T-Top weatherstrip, RH	63.80
C9009 68-77	SCREW - T-top rear mounting triangle	24.50
C3492 68-79	SCREW SET - T-top wedge plates, (4 pc.)	3.05
C9055 80-82	SCREW SET - top rear mount plate, torque type, (4 pc.)	6.65
C9030 78-79	SHIM - T-top lock	4.00
C9031 79-82	SHIM - T-top lock	1.45
C9004 68-82	T-TOP ASSEMBLY SET - complete, silver reflector glass, new frames, weatherstripping & latches, all new, (pr)	1,124.95
C9003 68-82	T-TOP ASSEMBLY SET- reconditioned, exchange w/new smoked glass, does not include new weatherstripping or latches, pr	795.00

NOTE: C9003 and C9004 also fit 1968-77 Corvettes. C9003 does not include weatherstripping or its replacement.

TRANSMISSION

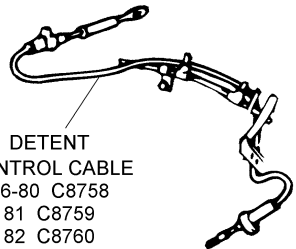
Automatic





- C8856 68-81 BOLT & WASHER SET - transmission mount bracket to cross member, double circle HM, (12 pc.)3.45
- B8632 68-82 BOLT KIT - front transmission slip joint, 'U' type7.35
- B8813 68-82 BOLT KIT - w/washers, transmission mount to transmission2.75
- B8701 68-82 BOLT SET - transmission mount to bracket, secures mounts to transmission w/'WB' head mark, 4 pc.5.70
- C7376 69-77 CABLE - auto. transmission control lock, column to transmission41.75

NOTE: The interlock cable locks the shifter and steering column when the car is shut off.

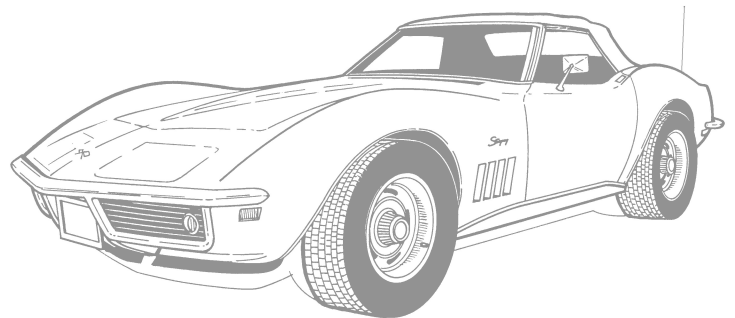
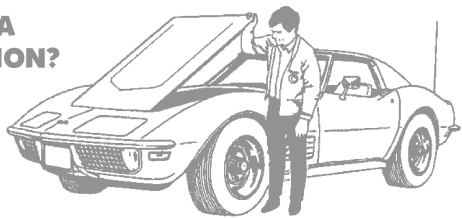


- C8758 76-80 CABLE - automatic transmission detent control23.95
- C8759 81 CABLE - automatic transmission detent control27.00
- C8743 68-82 CABLE - transmission shifter / automatic transmission64.95
- B8832 68-71 CLAMP SET - automatic transmission cooling line hoses17.60
- B8760 68-74 CLIP SET -fastens transmission cooling inlet and outlet together, 'C' type, (3 pc.) . 8.50
- A8741 68-81 CLIP SET/HAIRPIN TYPE - neutral safety switch/automatic transmission (4pc)1.00
- C8786 75-82 COVER - automatic transmission converter24.10
- C8838 68-73 DIP STICK/INDICATOR - automatic transmission fluid level31.00
- C8839 74-81 DIP STICK/INDICATOR - automatic transmission fluid level12.95
- C8837 68-82 FILTER KIT - 350 Turbo Hydro transmission w/gasket (all 68, 76-78 w/350 TH, 80-82 w/350 TH)12.95
- C8749 68-82 FILTER KIT - 400 turbo hydro transmission, w/gasket (all 69-75, 76-77 w/400 TH, 79-80 w/TH12.95
- C8844 68-79 FOAM COLLAR - transmission tunnel, (glues to bell housing)16.00
- C9997 68-69 HARNESS - kick-down, automatic trans23.80
- C0017 76-77 HARNESS - kick-down, automatic trans.23.80
- C0023 77L HARNESS - neutral safety and back-up lamp switch . extension, w/auto. trans., 2nd design, alarm switch located in door26.90
- C1050 80 HARNESS - torque converter clutch, w/auto trans.30.00
- C1051 81 HARNESS - torque converter clutch, w/auto trans.31.05
- C1052 82 HARNESS - torque converter clutch, w/auto trans.31.05

- B8767 68-75 INSULATION - transmission tunnel35.95
- C8714 68-69 INSULATION - under body blanket, LH32.50
- C8712 68-69 INSULATION - under body blanket, RH32.50
- C8770 68-74 LINE KIT - turbo 400 trans. cooling, stainless inlet/outlet lines, 3 'C' clips, 68-69 all, 70-74 w/35060.35
- C8771 70-76 LINE KIT - turbo 400 trans. cooling w/454 and all 350 w/long canister AC fuel pumps, long inlet/outlet 3 'C' clips84.00
- C8757 70-74 LINE, modulator, intake to trans., w/454 w/hose union on each (will also work on 68-69 w/427, w/minor bending at transmission end)72.00
- C0144 68-77 MODULATOR - transmission, Turbo Hydromatic (68-75 all, 76-77 TH400)26.95
- C0161 76-80 MODULATOR - transmission, Turbo Hydromatic (76-77 TH350, 78-79 [m38] 350, 80 MV426.95
- C0162 80 MODULATOR - transmission, M33 (CBC-350)17.95
- C0163 81 MODULATOR - transmission, Turbo Hydromatic (THM 350C), not K3500C26.95
- B8704 68-77 MOUNT - automatic transmission except 1968-77 turbo 40011.35
- B8762 68-82 PIPE - outlet pipe upper trans. cooling position on radiator & 68 lower radiator position12.10
- C8799 69-72 PIPE - trans cooling, w/350 inlet, lower radiator position copper radiator only16.50
- C8781 69-75 PIPE-trans. cooling,inlet,lower position, 69-72 w/427/454 & all 73-7512.10
- B8782 76-82 PIPE - trans. cooling, inlet, lower position, copper radiator only25.85
- C8795 69 PLATE - transmission mount spacer, all w/side exhaust10.65
- B8708 68-79 RETAINER SET - transmission tunnel insulation, (4 pc.)10.95
- B8864 68-82 RIVET SET - transmission tunnel insulation retainer, 8pc.2.00
- C8711 70-77 SWITCH - automatic transmission control (down shift)36.60
- C8616 68 SWITCH - neutral safety & back-up lamp, automatic trans.69.95
- C8617 69-72 SWITCH - neutral safety & back-up lamp, automatic trans., 69-71 all, 72 w/o seat belt buzzer72.95
- C8671 72-73 SWITCH - neutral safety & back-up, automatic transmission52.50
- C8619 74-75 SWITCH - neutral safety & back-up lamp, automatic trans.74.95
- C8620 76-82 SWITCH - neutral safety & back-up lamp, automatic trans.69.95
- C8840 68-73 TUBE - automatic transmission dip stick18.50
- C8853 78L-81 TUBE - automatic transmission dip stick, (350 TH)32.50
- C8834 68-69 UNDERPAN - T 400 automatic transmission converter31.00
- C8835 70-74 UNDERPAN - T 400 automatic transmission converter47.20
- C8836 75-82 UNDERPAN - automatic transmission converter . 33.00
- C8716 68-70 YOKE - transmission, rear, all w/Turbo Hydro 400183.15

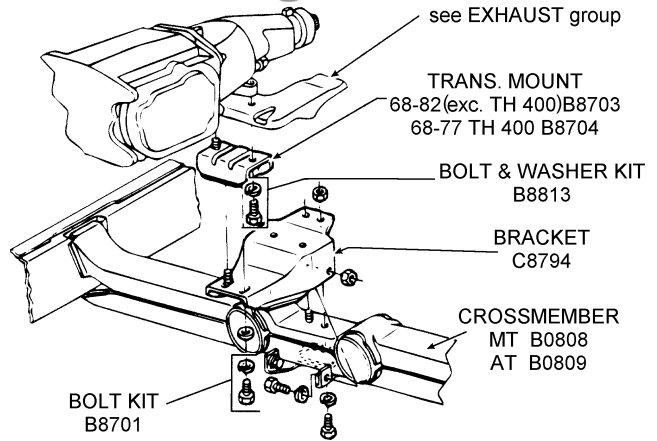
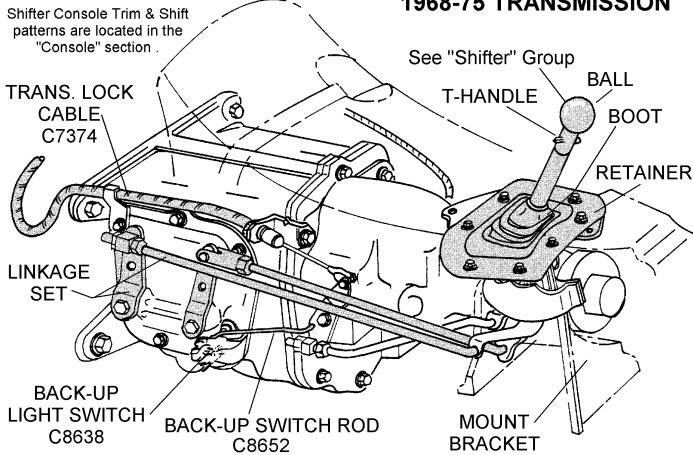
DO YOU HAVE A TECHNICAL QUESTION?

Call our technical department at 708-458-2500 for assistance.



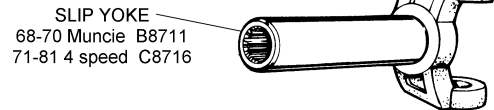
Manual

1968-75 TRANSMISSION



A8707	68-81	BOLT SET - flywheel to crankshaft, 6 pc.	8.75
A8703	68-81	BOLT SET - pressure plate to flywheel, 6 pc.	9.95
A8731	68-81	BOLT SET - transmission to bell housing 'TR' head mark, 4 pc.	8.00
B8701	68-82	BOLT SET - transmission mount to bracket, secures mounts to transmission w/'WB' head mark, 4 pc.	5.70
B8632	68-82	BOLT KIT - front transmission slip joint, 'U' type	7.35
B8813	68-82	BOLT KIT - w/washers, transmission mount to transmission	2.75
C8737	68-82	BOLT SET - transmission cross member to frame	7.25
C8782	69-73	BRACKET - steering column lock cable to 4 speed trans, rear, attaches to trans. by upper left tail housing bolt	10.10
C8783	69-75	BRACKET - steering column lock cable to 4 speed trans., front, attaches by upper front side cover bolt	9.00
C7935	69-81	BRACKET - trans control cable, lower steering column, w/4 speed, pre-owned	37.00
C8794	68-79	BRACKET - transmission mount support, reconditioned	45.50
A1814	68-70	BUSHING - transmission housing slip yoke, w/o turbo	18.50

B8703	68-82	MOUNT/CUSHION - 3 & 4 speed transmission	14.60
C8709	75-82	REBUILD KIT - Borg Warner, Super T-10 transmission	189.95
B8702	68-75	REBUILD KIT - Muncie transmission, includes bearings, syncros, gaskets, counter shift, seals, shims & small parts	189.95
B8791	68-74	RETAINER - front bearing, 4 speed Muncie transmission	65.00
C8848	75-79	RETAINER - front bearing, 4 speed	30.55
C8849	79-81	RETAINER - front bearing, 4 speed Borg-Warner transmission	92.00
B8708	68-75	RETAINER SET - transmission tunnel insulation, 12 pc.	10.95
C8708	68-69	RETAINER SET - under body insulation, 17 pc.	35.00
B8788	68	RING GEAR - flywheel 327 w/ 10 1/2' flywheel	31.25
B8864	68-82	RIVET SET - transmission tunnel insulation retainer, 8pc.	2.00
C8652	68-74	ROD W/CLIPS - back-up lamp switch, 3 pc	9.00
B8894	68-78	SCREW SET - back-up light switch mounting, 4 pc.	1.45
A1816	68-70	SEAL - transmission housing rear yoke, w/o turbo	10.00



C7374	69-76	CABLE - 4 speed trans. control lock, column to transmission	39.95
B1338	69-76	CLIP SET - steering column lock cable, pr.	3.40
C8844	68-79	COLLAR - transmission tunnel, foam, glues to bell housing	16.00
B8807	68-81	FITTING - speedo gear in Muncie transmission	20.00
C8845	68-70	GASKET SET - 3 speed Saginaw transmission	17.95
C8846	68-70	GASKET SET - 4 speed Muncie transmission	19.95
C8847	74-81	GASKET SET - 4 speed Borg-Warner transmission	32.95
C0016	78	HARNES - back-up lamp switch, all w/L48 & manual trans.	16.60
C9998	69-77E	HARNES - neutral safety switch to dash, w/manual trans., 77 1st design w/alarm switch in fender	13.45
C0024	78	HARNES - neutral safety and back-up lamp switch extension, w/manual trans.	26.90
C0048	79	HARNES - neutral safety and back-up lamp switch extension, w/manual trans.	13.45
C0049	80-81	HARNES - neutral safety and back-up lamp switch extension, w/manual trans.	13.45
B8767	68-75	INSULATION - transmission tunnel	35.95
C8714	68-69	INSULATION - under body blanket, LH	32.50
C8714	68-69	INSULATION - under body blanket, LH	32.50
C8712	68-69	INSULATION - under body blanket, RH	32.50

B8711	68-70	SLIP YOKE - transmission, 26 spline, all stick, used	159.95
C8716	71-81	SLIP YOKE - transmission, rear, all w/4 speed	183.15
C8795	69	SPACER PLATE - transmission mount, all w/side exhaust	10.65
C8638	68-78	SWITCH - back up light, w/4 speed trans, except 78 w/L48 w/4 spd	69.95
C8673	79	SWITCH - back-up light, w/manual transmission, 'T' shape wire connector	69.95
C8674	80-81	SWITCH - back-up light, w/manual transmission	79.95

Speedo Gears

B8807	68-81	FITTING - Muncie speedo gear, in transmission	20.00
A8796	68-70	GEAR - speedo drive, in transmission, 3:70-4:11 ratio rear ends	31.45
A8738	68-74	GEAR - speedo drive, in transmission, 3:08-3:55 ratio rear ends, used	33.75
C8762	71-74	GEAR - speedo drive, in transmission, 3:70-4:11 ratio rear ends, used	33.75
C8761	75-81	GEAR - speedo drive, in super T10 transmission, used, plastic, specify year & rear end ratio	72.00
A8739	68-74	GEAR SET - speedo drive, in transmission, 4:56-4:88 ratio rear ends, specify year & transmission type, both steel, used	66.95
A8791	68-81	GEAR - speedo drive, (18 tooth, brown)	9.95
B8820	71-74	GEAR - speedo drive, (19 tooth, natural)	9.95
B8792	68-81	GEAR - speedo drive, (20 tooth, blue)	9.95
B8793	68-81	GEAR - speedo drive, (21 tooth, red)	9.95
B8794	68-81	GEAR - speedo drive, (22 tooth, green)	9.95
B8821	68-81	GEAR - speedo drive, (22 tooth, silver)	9.95
B8822	68-81	GEAR - speedo drive, (23 tooth, black)	9.95
A8795	68-81	GEAR - speedo drive, (24 tooth, yellow)	9.95
B8823	68-81	GEAR - speedo drive, (25 tooth, orange)	9.95
C8800	68-82	GEAR - speedo drive, TH, (34 tooth, light green)	12.35

C8801	68-82	GEAR - speedo drive, TH, (35 tooth, pink) . . .	12.35
C8802	68-82	GEAR - speedo drive, TH, (36 tooth, white) . . .	13.80
C8803	68-82	GEAR - speedo drive, TH, (37 tooth, red) . . .	13.70
C8804	68-82	GEAR - speedo drive, TH, (38 tooth, blue) . . .	12.35
C8805	68-82	GEAR - speedo drive, TH, (39 tooth, brown) . . .	12.35
C8806	68-82	GEAR - speedo drive, TH, (40 tooth, black) . . .	12.35
C8807	68-82	GEAR - speedo drive, TH, (41 tooth, yellow) . . .	12.35
C8808	68-82	GEAR - speedo drive, TH, (42 tooth, green) . . .	12.35
C8809	68-82	GEAR - speedo drive, TH, (43 tooth, purple) . . .	12.35
C8810	68-82	GEAR - speedo drive, TH, (44 tooth, gray) . . .	12.35
C8811	68-82	GEAR - speedo drive, TH, (45 tooth, light blue) . . .	12.35
A8797	68-81	RETAINER - speedo gear fitting . . .	3.80

C9223	69L-75	WEATHERSTRIP - body lock pillar, LH . . .	28.25
C9244	69L-75	WEATHERSTRIP - body lock pillar, RH . . .	24.95
C9201	68	WEATHERSTRIP - all door main, LH . . .	59.95
C9231	68	WEATHERSTRIP - all door main, RH . . .	59.95
C9202	69-75	WEATHERSTRIP - door main, LH, convertible . . .	49.00
C9206	69-75	WEATHERSTRIP - door main, RH, convertible . . .	49.00
C9290	68-72	WEATHERSTRIP - hinge pillar, LH . . .	39.95
C9291	68-72	WEATHERSTRIP - hinge pillar, RH . . .	39.95
C9208	73-75	WEATHERSTRIP - windshield post, LH . . .	29.95
C9233	73-75	WEATHERSTRIP - windshield post, RH . . .	29.95
C9270	68	WEATHERSTRIP SET - door main, (pr) . . .	99.95
C9271	69-75	WEATHERSTRIP SET - convertible door main, (pr) . . .	91.00
C9274	68-72	WEATHERSTRIP SET - windshield post w/hinge pillar, (pr) . . .	129.00
C9275	73-75	WEATHERSTRIP SET - windshield post, (pr) . . .	53.95

WEATHERSTRIP

Convertible Top

1968-75

FRONT BOW C9215

FRONT SIDE RAIL LH C9216 RH C9236

CENTER SIDE RAIL LH C9217 RH C9237

REAR VERTICAL SIDE RAIL LH C9218 RH C9238

REAR BOW C9220

A5651	68-75	CORD - rear bow weatherstrip hold-in . . .	6.95
C9215	68-75	WEATHERSTRIP - front bow . . .	59.95
C9220	68-75	WEATHERSTRIP - rear bow . . .	24.00
C9219	68-75	WEATHERSTRIP - rear bow extensions on top, LH . . .	26.75
C9239	68-75	WEATHERSTRIP - rear bow extensions on top, RH . . .	26.75
C9217	68-75	WEATHERSTRIP - side rail center, LH . . .	24.95
C9237	68-75	WEATHERSTRIP - side rail center, RH . . .	24.95
C9216	68-75	WEATHERSTRIP - side rail front, LH . . .	23.00
C9236	68-75	WEATHERSTRIP - side rail front, RH . . .	23.00
C9218	68-75	WEATHERSTRIP - side rail, rear vertical, LH . . .	29.65
C9238	68-75	WEATHERSTRIP - side rail, rear vertical, RH . . .	29.65
C9221	68-75	WEATHERSTRIP KIT - convertible top, (10 pc.) . . .	219.95

Deck Lid

C9226	68-75	WEATHERSTRIP - deck lid, correct . . .	35.20
-------	-------	--	-------

Door - Convertible & Related

1968-75 CONVERTIBLE BODY

HOOD LEDGE B9240

WINDSHIELD HINGE PILLAR SET C9275

DECK LID C9226

DOOR MAIN SET 68 C9270 69-75 C9271

DOOR SEAL SET 68E C2634 69-75 C2638

C9209	68-75	CLIP SET - windshield post weatherstrip, outer retainer, (rubber coated) (pr) . . .	11.35
C3415	68-75	SCREW SET - door main weatherstrip, (10 pc.) . . .	3.10
C3362	68-72	SCREW SET - windshield pillar post weatherstrip, (12 pc.) . . .	6.25
C3399	73-75	SCREW SET - windshield pillar post weatherstrip, (8 pc.) . . .	4.75
C9293	68-69E	WEATHERSTRIP - body lock pillar, LH . . .	24.95
C9292	68-69E	WEATHERSTRIP - body lock pillar, RH . . .	24.95

BODY LOCK PILLAR WEATHERSTRIP
LH C9223
RH C9244

Door - Coupe & Related

1968-82 COUPE BODY & T-TOP

HOOD LEDGE B9240

T-TOP KIT 68-77E C9248 77L-82 C9278

REAR DOOR GLASS 68-69 LH C9241 68-69E RH C9245 69 LH C9247 69 RH C9249 70-77 LH C9210 70-77 RH C9234 78-82 LH C9211 78-82 RH C9235

WINDSHIELD HINGE PILLAR SET 68-72 C9274 73-82 C9275

DOOR MAIN 68 set C9270 69-77 set C9272 78-82 LH C9204, RH C9224 Pair C9273

DOOR SEAL SET 68E C2634 69-82 C2636

C9228 77-82 CLIP SET - windshield post weatherstrip retainer, rubber coated, pr . . .

CLIP SET C9209

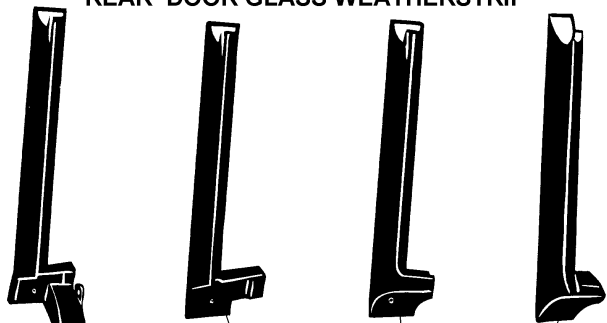
WEATHERSTRIP LH C9208 RH C9233

WEATHERSTRIP LH C9290 RH C9291

C9209	68-82	CLIP SET - windshield post weatherstrip, outer retainer (rubber coated) (pr) . . .	11.35
NOTE: 1968-76 use (4) C9209 clips, 77-82 use (4) C9228 outer clips & (4) C9228 inner clips.			
C9252	68-76	RETAINER - windshield post weatherstrip, LH, used, recon.	40.00
C9253	68-76	RETAINER - windshield post weatherstrip, RH, used, recon.	40.00
C9254	77-82	RETAINER - windshield post weatherstrip, LH, used, recon.	40.00
C9255	77-82	RETAINER - windshield post weatherstrip, RH, used, recon.	40.00
C3415	68-82	SCREW SET - door main weatherstrip, (10 pc.) . . .	3.10
C3362	68-72	SCREW SET - windshield pillar post weatherstrip, (12 pc.)	6.25
C3399	73-82	SCREW SET - windshield pillar post weatherstrip, (8 pc.)	4.75
C9201	68	WEATHERSTRIP - door main, LH, all	59.95
C9231	68	WEATHERSTRIP - door main, RH, all	59.95
C9224	78-82	WEATHERSTRIP - door main, RH, all	38.80
C9203	69-77	WEATHERSTRIP - door main, LH, coupe	35.80
C9241	68-69E	WEATHERSTRIP - coupe on body behind door glass, LH	46.95
C9245	68-69E	WEATHERSTRIP - coupe on body behind door glass, RH	46.95

CHICAGO CORVETTE
We're your 1-Stop-Shop for 1953-82
Corvette parts and accessories!

REAR DOOR GLASS WEATHERSTRIP



- 68-69E
LH C9241
RH C9245
 - 69L
LH C9247
RH C9249
 - 70-77
LH C9210
RH C9234
 - 78-82
LH C9211
RH C9235
- C9247 69L WEATHERSTRIP - coupe on body behind door glass, LH46.95
 - C9210 70-77 WEATHERSTRIP - coupe on body behind door glass, LH22.95
 - C9234 70-77 WEATHERSTRIP - coupe on body behind door glass, RH22.95
 - C9211 78-82 WEATHERSTRIP - coupe on body behind door glass, LH37.95
 - C9235 78-82 WEATHERSTRIP - coupe on body behind door glass, RH37.95
 - C9290 68-72 WEATHERSTRIP - hinge pillar, LH39.95
 - C9291 68-72 WEATHERSTRIP - hinge pillar, RH39.95
 - C9208 73-82 WEATHERSTRIP - windshield post, LH29.95
 - C9233 73-82 WEATHERSTRIP - windshield post, RH29.95
 - C9270 68 WEATHERSTRIP SET - door main, (pr)99.95
 - C9272 69-77 WEATHERSTRIP SET - coupe door main, (pr)89.95
 - C9273 78-82 WEATHERSTRIP SET - coupe door main, (pr)79.95
 - C9256 68-69E WEATHERSTRIP SET - coupe on body behind door glass, (pr)91.95
 - C9257 69 WEATHERSTRIP SET - coupe on body behind door glass, (pr)91.95
 - C9258 70-77 WEATHERSTRIP SET - coupe on body behind door glass, (pr)36.95
 - C9276 78-82 WEATHERSTRIP SET - coupe on body behind door glass (pr)69.95
 - C9275 73-82 WEATHERSTRIP SET - windshield post, (pr)53.95
 - C9274 68-72 WEATHERSTRIP SET - windshield post w/hinge pillar, (pr)129.00

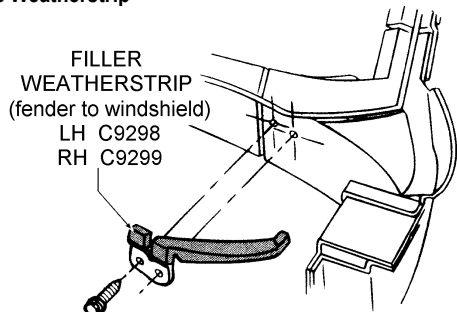
Hard Top

-
- 1968-75 HARDTOP WEATHERSTRIP KIT C9260**
- FRONT HEADER BOW C9225
 - SIDE RAIL (upper & rear) LH C9246, RH C9240
 - REAR BOW C9227
- C9225 68-75 WEATHERSTRIP - front bow84.95
 - C9246 68-75 WEATHERSTRIP - top side rail, upper & rear, LH104.95
 - C9240 68-75 WEATHERSTRIP - top side rail, upper & rear, RH104.95
 - C9227 68-75 WEATHERSTRIP - rear bow (to deck lid)99.95
 - C9260 68-75 WEATHERSTRIP KIT - hard top, includes fasteners394.95

Hood

- B9240 68-82 WEATHERSTRIP - hood ledge8.75

Miscellaneous Weatherstrip



- G0001 68-82 ADHESIVE - weatherstrip, 3M Super, (black) (5 oz)8.45

- G0080 68-82 ADHESIVE - weatherstrip, 3M Super, (yellow) (5 oz)8.20
- NOTE: GM always used yellow weatherstrip adhesive.**
- G5020 68-82 RELEASE AGENT - weatherstrip removal, 12 oz. aerosol37.75
 - C2900 68-82 SEAL KIT - outer splash shield weatherstrip, (pr)9.50
 - C9299 73-82 WEATHERSTRIP - fender to windshield filler, RH16.50

T-Top

- C9017 70-77E SCREW SET - T-top weatherstrip, (8 pc.)3.95
 - C9018 77L-82 SCREW SET - T-top weatherstrip, (8 pc.)5.75
 - C9297 68-77E WEATHERSTRIP - T-top panel (w/19 fasteners), RH69.95
- NOTE: 1968-69 installation requires modification.**
- C9230 77L-82 WEATHERSTRIP - T-top panel, (w/18 fasteners), LH69.95
 - C9243 77L-82 WEATHERSTRIP - T-top panel, (w/18 fasteners), RH69.95
 - C9248 68-77E WEATHERSTRIP KIT -T-top panel, (w/19 fasteners) (pr)119.95
 - C9278 77L-82 WEATHERSTRIP KIT -T-top panel, (w/18 fasteners) (pr)144.95

Weatherstripping Kits

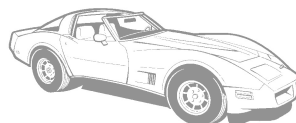
1968-75 BODY WEATHERSTRIP KITS			
C9281	68	WEATHERSTRIP KIT	
C9279	69	WEATHERSTRIP KIT	
C9285	70-72	WEATHERSTRIP KIT	
C9286	73-75	WEATHERSTRIP KIT	
G0080	68-82	Adhesive, yellow	✓ ✓ ✓ ✓
C9226	68-75	Deck Lid	✓ ✓ ✓ ✓
C9270	69	Door Main	✓
C9271	69-75	Door Main	✓ ✓ ✓
B9240	68-82	Hood Ledge	✓ ✓ ✓ ✓
C9275	68-72	Windshield Post	✓ ✓ ✓
C9274	73-75	Windshield Post	✓
C9281	68	WEATHERSTRIP KIT - convertible, see chart for details247.75
C9279	69	WEATHERSTRIP KIT - convertible, see chart for details229.95
C9285	70-72	WEATHERSTRIP KIT - convertible, see chart for details229.95
C9286	73-75	WEATHERSTRIP KIT - convertible, see chart for details240.10

ORDER BY PHONE:
1-800-872-2446



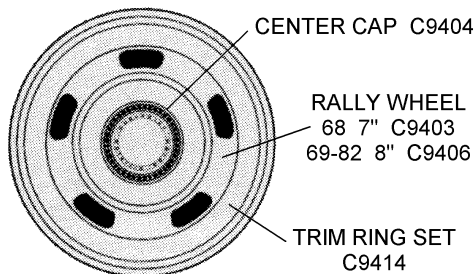
ORDER BY FAX:
708-458-2662

TECHNICAL QUESTIONS:
708-458-2500



CUSTOMER SERVICE:
708-458-6577

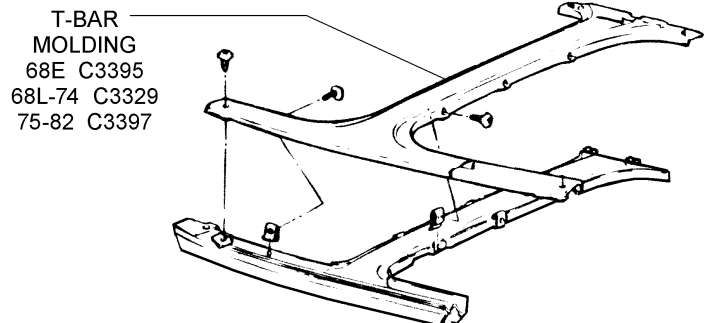
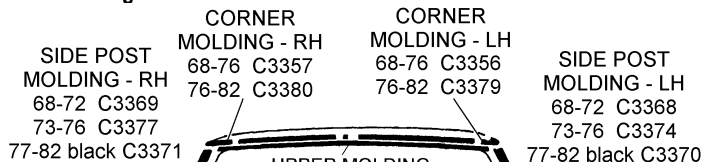
QUESTIONS ABOUT YOUR ORDER:
708-458-2500



- C9403 68 WHEEL - 7' rally, 'AG' code, original/reconditioned199.95
- C9406 69-82 WHEEL - 8' rally, black, must be painted ..103.20
- C9496 78 WHEEL - aluminum, pace car w/red strip, (ea)365.00
- C9424 68-79 WHEEL - aluminum, w/black center, (ea)309.00
- C9426 80-82 WHEEL - aluminum, w/polished center, (ea) ..309.00
- C9498 68-79 WHEEL SET - aluminum, (4 pc.)899.00
- C9497 78 WHEEL SET - aluminum, pace car w/red stripe, (4 pc.)949.00
- C9499 80-82 WHEEL SET - aluminum, (4 pc.)899.00
- G9800 68-82 WHITEWALL RESTORER - restores white sidewall tires to their original white luster, removes scuffs & grease, 32 oz.4.95

WINDOWS/GLASS & WINDOW TRIM

Trim & Moldings - Windshield



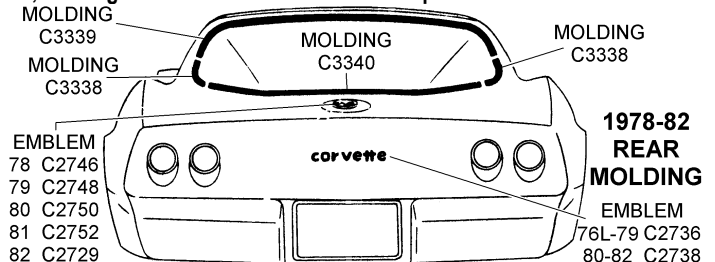
- C3345 68-82 BRACKET & RIVETS SET - upper windshield top molding to windshield frame14.95
- C4824 69-75 BUSHING SET - guide pin receiver, on windshield frame, (pr)4.00
- C3365 68-82 CLIP - upper & outer windshield moldings, 13 required, each2.45
- C3421 68-82 CLIP SET - upper inner & outer windshield moldings, 13pc21.95
- C3375 68-72 CLIP SET - lower outer windshield molding on fender, 4 pc.6.75
- C3341 68-82 CLIP SET - windshield pillar weatherstrip retainer12.45

NOTE: Clip Set C3341 is plastic coated to prevent glass abrasion. Clip rivets to upper part of weatherstrip retainer.

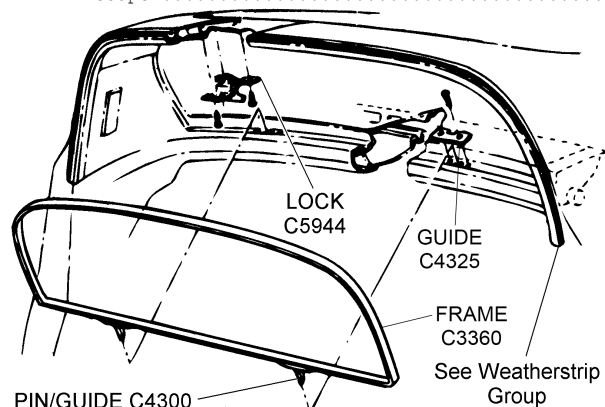
- C3437 68-72 CLIP/RETAINER SET - wiper door trim molding, 5 pc.15.95
- C3328 77-82 MOLDING - reveal, upper windshield, black, stainless steel125.00
- C3378 68L-76 MOLDING - reveal, upper windshield, stainless steel, uses 6 clipsCALL
- C3374 73-76 MOLDING - reveal, windshield post, LH, reconditioned48.00
- C3377 73-76 MOLDING - reveal, windshield post, RH, used, recon.48.00

- C3368 68-72 MOLDING - reveal, windshield post, LH, used, recon.95.00
- C3369 68-72 MOLDING - reveal, windshield post, RH, used, recon.95.00
- C3370 77-82 MOLDING - reveal, windshield post, LH, used, recon., black48.00
- C3371 77-82 MOLDING - reveal, windshield post, RH, used, reconditioned, black48.00
- C3395 68E MOLDING - roof 'T' bar, pre-owned, reconditioned174.95
- C3397 77-82 MOLDING - roof 'T' bar, pre-owned, reconditioned149.95
- C3329 68L-74 MOLDING - roof 'T' bar, stainless steel, stainless steel, pre-owned149.95
- C3333 68E MOLDING - top of windshield, roadster, pre-owned, recon.224.15
- C3355 68L-69E MOLDING - top of windshield, roadster, pre-owned, recon.215.50
- C3359 69-75 MOLDING - top of windshield, roadster, pre-owned, recon.CALL
- C3390 68-72 MOLDING - upper top fender by windshield, LH, w/screw44.85
- C3391 68-72 MOLDING - upper top fender by windshield, RH, w/screw31.05
- C3356 68-76 MOLDING SET - windshield header corner, LH & RH / chrome w/bushings109.50
- C3379 76-82 MOLDING - windshield header corner, LH, used59.95
- C3380 76-82 MOLDING - windshield header corner, RH59.95
- G5025 77-82 PAINT - window molding, black, 12 oz. aerosol6.50
- C9252 68-76 RETAINER - windshield post weatherstrip, LH, used, recon.40.00
- C9253 68-76 RETAINER - windshield post weatherstrip, RH, used, recon.40.00
- C3364 68-76 RETAINER - windshield weatherstrip molding, RH, stainless56.10
- C9254 77-82 RETAINER - windshield post weatherstrip, LH, used, recon.40.00
- C9255 77-82 RETAINER - windshield post weatherstrip, RH, used, recon.40.00
- B3393 68-82 SCREW - windshield trim, (ea)1.00
- C3497 68-72 SCREW SET - outer windshield moldings on fender, 2 pc.2.40
- C3396 68-82 SCREW SET - upper windshield molding, 4 pc.3.60
- B9682 68-82 SCREW SET - windshield molding clips, 13pc5.25

Trim, Moldings & Related - Rear Window / Coupe



- C5685 69-71 CLIP - rear window storage door, coupe20.20
- C4340 78-82 CLIP - rear window molding, (21 req.) (ea)3.80
- C3360 68-71 FRAME - removable rear window, aluminum, N.O.S.295.00
- C4325 69-72 GUIDE - rear window / on body7.95
- C5896 69-71 HANDLE - rear window storage door clip, coupe50.95

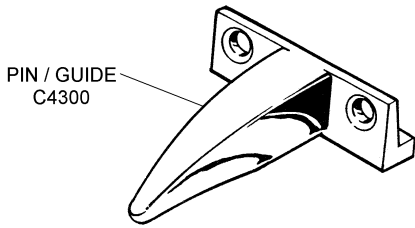


- C5944 68-72 LOCK ASSEMBLY - rear window, inside, coupe, (2 req.) (ea)109.00
- C5679 73-77 MOLDING/FRAME - inside rear window, paint as required75.55

NOTE: 1968 lock assembly (C5944) replacement appearance differs from original.

C3338	78-82	MOLDING - rear window corner, black, (2 req.) (ea)	21.70
C4300	68-72	PIN (Guide) - removable rear window	14.00
C4312	78-82	REPAIR KIT - rear window defogger	11.20
C3462	73-77	SCREW SET - rear window inside molding, (7 pc.)	4.55
C9213	68-72	WEATHERSTRIP - removable rear window	35.00

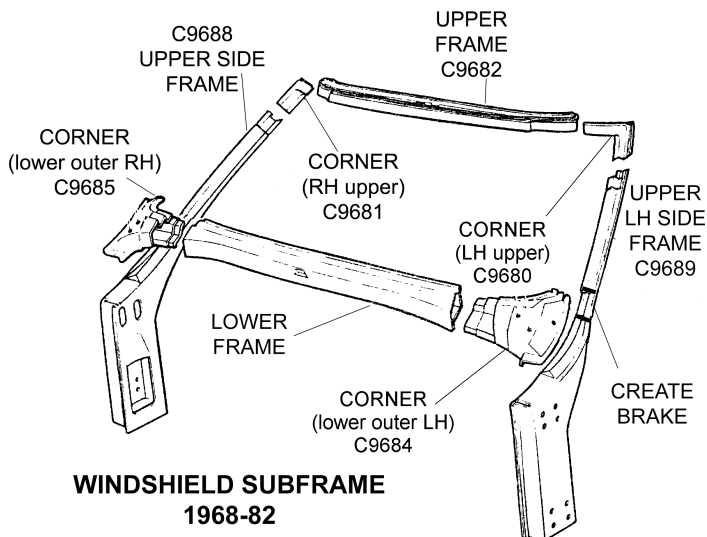
Windows & Glass



C4300	68-72	PIN (Guide) - removable rear window	14.00
G4300	68-82	POLISHING KIT - glass	48.25
G5114	68-82	REPAIR KIT-windshield, makes crystal clear repair of stone damage	12.25
C4319	68-82	TOOL - windshield removal wire	9.95
C4305	68-72	WINDOW - back glass, tinted, dated	173.45
C4306	73-75	WINDOW - back glass, tinted, non-dated	163.80
C4303	68-75	WINDOW - coupe door, astro vent, dated, LH ..	534.95
C4304	68-75	WINDOW - coupe door, astro vent, dated, RH ..	337.10
C4316	69	WINDOW - coupe door, astro vent, non dated, LH	199.95
C4317	69	WINDOW - coupe door, astro vent, non dated, RH	199.95
C4301	68-75	WINDOW - convertible door, astro vent, dated, LH	456.90
C4302	68-75	WINDOW - convertible door, astro vent, dated, RH	366.25
C4314	69-74	WINDOW - convertible door, astro vent, non dated, LH	394.85
C4315	69-74	WINDOW - convertible door, astro vent, non dated, RH	394.85
C4350	77-82	WINDOW - door, tinted, LH	179.95
C4351	77-82	WINDOW - door, tinted, RH	179.95
C4318	78-82	WINDOW/BACK GLASS - non-hatch, w/o tint or defroster	645.00
C4390	76-77	WINDOW/BACK GLASS - w/rear window defogger ..	710.35
C4309	68-72	WINDSHIELD - shaded	359.95
C4307	68-72	WINDSHIELD - shaded, dated	603.80
C4310	73-77	WINDSHIELD - shaded	291.40
C4308	73-75	WINDSHIELD - shaded, dated	524.95
C4311	78-82	WINDSHIELD - shaded	237.95

NOTE: 68-82 Windshield, door & back glass are available w/correct dates, manufacturer & logo. To order specify code from original glass, car serial number or build date. Glass is drop shipped direct to you, U.P.S., from our supplier, so orders must be prepaid by charge card or check. Shipping and crating are in addition. Call for more information!

WINDSHIELD SUB-FRAME & COMPONENTS



C9684	73-82	FRAME - lower outer corner, LH	CALL
C9685	73-82	FRAME - lower outer corner, RH	CALL
C9682	68-82	FRAME - upper windshield	239.00

C9680	68-82	FRAME - upper outer corner, LH	84.00
C9681	68-82	FRAME - upper outer corner, RH	84.00
C9627	68-82	FRAME - windshield, coupe, dash up, used, crating charge extra	425.00
C9629	68-75	FRAME - windshield, roadster, dash up, used, crating charge extra	450.00
C9688	68-82	FRAME - windshield side, RH	149.00
C9689	68-82	FRAME - windshield side, LH	149.00

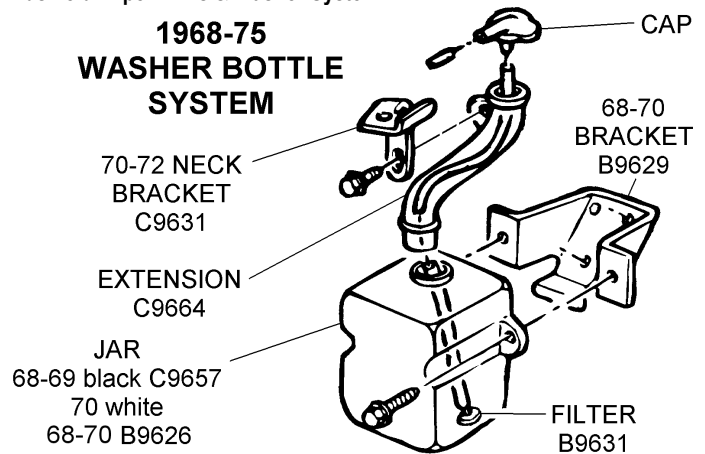
WINDSHIELD WIPER SYSTEM & RELATED

Windshield Wiper & Headlight Vacuum Hose Kits & Related

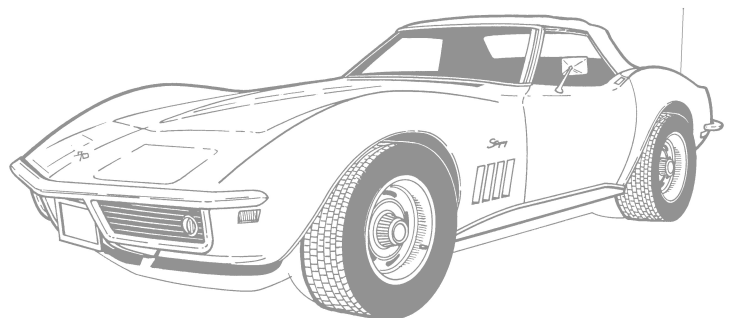
C4930	68-82	CHECK VALVE - vacuum, headlight reservoir ..	17.85
C4928	68-82	FILTER/VALVE - headlight hoses	5.00
C4974	68-72	GROMMET - vacuum lines & wire harness in radiator support	3.80
C4990	68	HOSE KIT - vacuum, standard	62.05
C4986	68	HOSE KIT - vacuum, deluxe	98.35
C4996	69	HOSE KIT - vacuum	72.40
C4987	69	HOSE KIT - vacuum, deluxe	109.95
C4992	70	HOSE KIT - vacuum	82.75
C4989	70	HOSE KIT - vacuum, deluxe	118.25
C4993	71-72	HOSE KIT - vacuum, standard	82.70
C4999	71-72	HOSE KIT - vacuum, deluxe	85.20
C4994	73-79	HOSE KIT - vacuum, standard	51.70
C4957	73-79	HOSE KIT - vacuum, deluxe	90.65
C4995	80-82	HOSE KIT - vacuum, standard	51.70
C4959	80-82	HOSE KIT - vacuum, deluxe	90.45
C4997	68-82	HOSE RETAINER - vacuum 'J'	5.95
C4941	71-72	LINE - firewall vacuum, steel	90.00
C4979	68-82	MANUAL - headlight & wiper vacuum system trouble shooting, complete step-by-step diagnostic guide	11.50

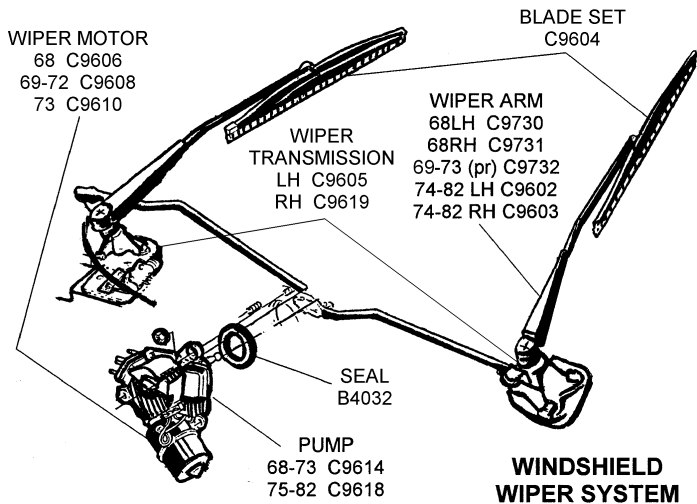
Windshield Wiper Arms & Washer System

1968-75 WASHER BOTTLE SYSTEM



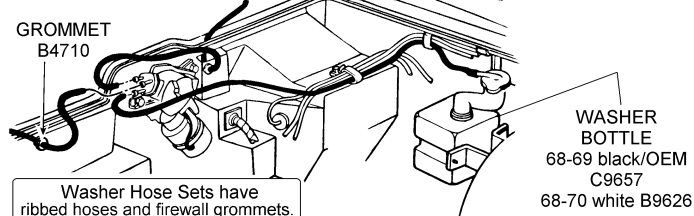
C9730	68	ARM - windshield wiper, LH, original, reconditioned	107.95
C9731	68	ARM - windshield wiper, RH, original, reconditioned	107.95
C9602	74L-82	ARM - windshield wiper, LH, original, reconditioned	39.95
C9603	74L-82	ARM - windshield wiper, RH, original, reconditioned	39.95
C9732	69-74E	ARM SET - windshield wiper, w/provision for windshield washer tubes (C9695 & C9667 below), LH & RH, original, reconditioned, (pr)	184.95
C9626	68	BAG - washer, w/cap & hose, w/AC	26.00
C9628	69-72	BAG - washer, w/cap & hose, w/AC	64.95



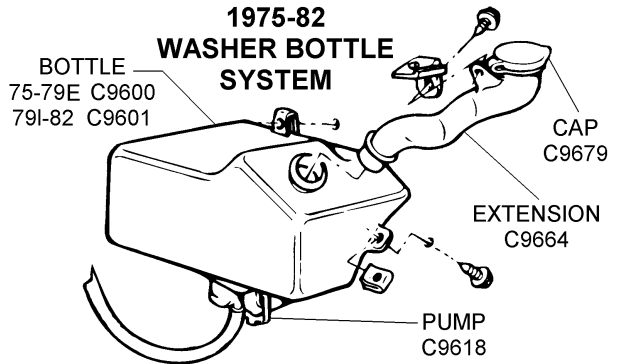


C9604	68-82	BLADE/INSERT SET - windshield wiper holder, rubber, 16'	11.95
C9663	74-82	BLADE/INSERT SET - windshield wiper holder, rubber, 16', NOS, Trico 3 line design	29.95
C9624	68-72	BOLT/ANCHOR SET - windshield wiper door vacuum reservoir tank to inner fender attaching, (8 pc.)	23.29
C9625	68-72	BOLT & BUSHING SET - windshield wiper door linkage pivot, mounts wiper door to linkage, include. 4-C9644 & 8-C9676	23.95
B9629	68-69	BRACKET - windshield washer jar, w/o AC	24.00
C9726	73-74	BRACKET - windshield washer jar	14.50
C9630	68	BRACKET - washer bag, w/AC	23.15
C9632	69-72	BRACKET - washer bag, w/AC	20.65
C9631	70-72	BRACKET - washer reservoir bottle extension	26.75
B9628	68-72	CAP - washer bag, w/air conditioning	5.95
B9627	68-74	CAP - washer bottle (68-72 w/o AC, all 73-74)	6.05
C9679	75-82	CAP - windshield washer reservoir extension	9.25
C9615	69-73	CLIP SET - windshield washer hose to tube nozzle, 2 per tube, silver, sharp tangs as original, (2 pc.)	2.35
C9633	69-77	CLIP SET - windshield washer nozzle tube, LH, (3 pc.)	16.25
C9635	69-77	CLIP SET - windshield washer nozzle tube, RH, (3 pc.)	16.25
C9725	74-82	CONNECTOR - windshield washer hose to arm hose, plastic	7.60
C9791	68-74	COVER - windshield washer motor pump	19.95
C9751	68-74	CUSHION - windshield wiper arm stop	4.50
C9664	71-82	EXTENSION - windshield washer reservoir bottle, (repl.)	12.95
B9631	68-74	FILTER - windshield washer hose pick-up	4.05
C9665	75-82	FILTER - windshield washer pump	4.60
C2899	68-82	GROMMET - vacuum hose thru firewall, 3 hole	7.25
B4710	68-82	GROMMET SET - washer/water hose firewall, 2 pc.	3.25

1968-82 WASHER HOSE SETS



C9692	68	HOSE SET - windshield washer, w/AC	14.95
C9691	68	HOSE SET - windshield washer, w/o AC	14.95
C9693	69-72	HOSE SET - windshield washer, w/AC	14.95
C9694	69	HOSE SET - windshield washer, w/o AC	14.95
C9696	70	HOSE SET - windshield washer, w/o AC	14.95
C9697	71-72	HOSE SET - windshield washer, w/o AC	14.95
C9698	73-74	HOSE SET - windshield washer	14.95
C9699	75-76	HOSE SET - windshield washer	14.95
C9671	77-82	HOSE SET - windshield washer	14.95
C9657	68-69	JAR/BOTTLE - washer, w/o AC, black, as original	23.55
B9626	68-69	JAR/BOTTLE - washer, w/o AC, white	10.95
C9662	70-74	JAR - washer reservoir	28.25



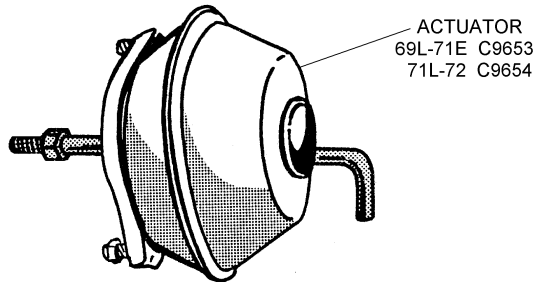
C9600	75-79E	JAR - washer reservoir	11.30
C9601	79L-82	JAR - washer reservoir	CALL
C9661	68-72	KNOB - wiper over ride switch	16.95
C2132	68-72	KNOB - wiper switch	6.40
C2134	73-77	KNOB - wiper switch	6.20
C9642	78-82	KNOB - wiper switch, (has arrow for delay)	14.90
B9671	68-74	REBUILD KIT - washer pump, standard, w/straight white nozzle end	14.95
B9707	68-70	RIVET SET - washer bottle bracket to inner fender, w/o AC, (3 pc.)	1.75
C9667	69	SOLENOID - headlight washer squirters anti drip valve, on wiper motor pump	204.95
B2984	68-74	TIE STRAP - 'T' style, 5' black	2.25
C2994	78-82	TIE STRAP - top shield to hood cable, (2 req.) (ea)	1.50
A9665	68-82	TOOL - windshield wiper arm removal	8.10
C9605	68-82	TRANSMISSION - windshield wiper link assembly LH, (used)	75.00
C9619	68-82	TRANSMISSION - windshield wiper link assembly RH, (used)	75.00
C9695	69-74E	TUBE/NOZZLE - windshield washer, brass, clips to wiper arm, LH	32.95
C9639	69-74E	TUBE/NOZZLE - windshield washer, brass, clips to wiper arm, RH	32.95

NOTE: C9695 and C9639 are used on Arm Set C9732 above.

C9646	68-73	WASHER PUMP - windshield wiper motor, w/barrel terminals & cover w/white pump body, 3 port, restored, original	139.95
C9614	68-73	WASHER PUMP - windshield wiper motor, (3 port)	86.50
C9618	75-82	WASHER PUMP - windshield wiper motor	19.95

Windshield Wiper Door

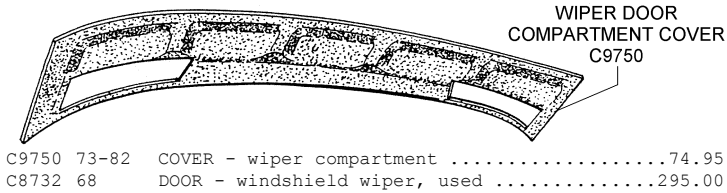
C9651	68E	ACTUATOR - vacuum, windshield wiper door, 1/4' shaft size	187.95
C9652	68-69	ACTUATOR - vacuum, windshield wiper door, 5/16' shaft size	147.95



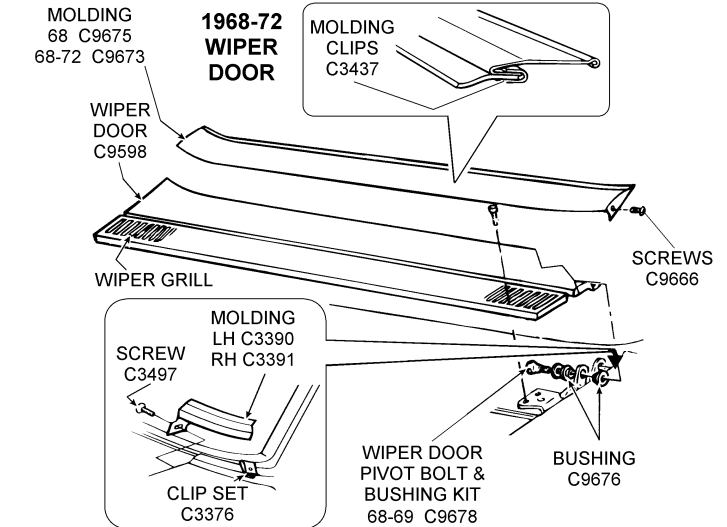
C9653	69L-71E	ACTUATOR-vacuum, windshield wiper door straight vacuum outlet	118.95
C9654	71L-72	ACTUATOR-vacuum, windshield wiper door curved vacuum outlet	118.95
C9644	68-72	BOLT - wiper door	4.75
C9648	68-72	BOOT - dust, wiper door actuator rod, rear / accordion style	11.25
C9678	68-69	BOLT & BUSHING KIT -windshield wiper door (2 bolts, 2 plastic bushings, for mounting 68/69 style wiper actuator to bracket) (set)	10.55
C9606	68-73	BRACKET - windshield wiper arm stop	8.00
C9850	68-69E	BRACKET - windshield wiper door actuator mounting	24.50
C9656	69L-72	BRACKET - windshield wiper door actuator mounting (will also work on 68-69 when 70-72 actuator is used)	19.95
C9676	68-72	BUSHING - windshield wiper door linkage, (8 req.) (ea)	1.35
C4951	68-82	CANISTER/RESERVOIR - headlight/wiper door vacuum storage.	64.15

NOTE: Canister C4951 can be used as a 1968-79 replacement.

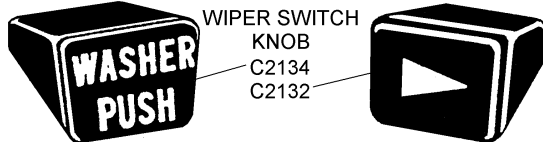
C4930	68-82	CHECK VALVE - vacuum, headlight reservoir	17.85
C3437	68-72	CLIP/RETAINER SET - wiper door trim molding, 5 pc.	15.95



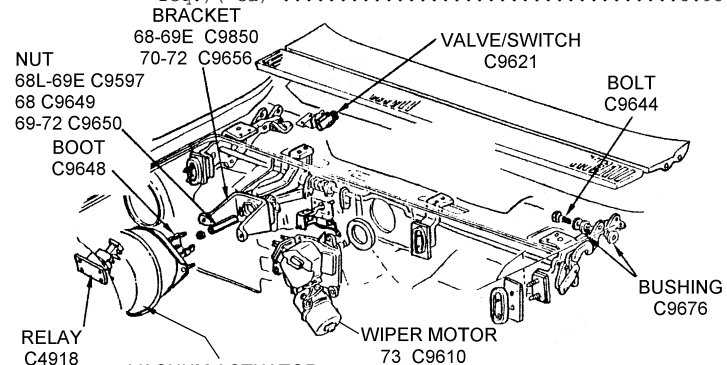
C9750 73-82 COVER - wiper compartment74.95
 C8732 68 DOOR - windshield wiper, used295.00



C9598 69-72 DOOR - windshield wiper, used145.00
 C9734 68-72 DOOR ASSEMBLY - windshield wiper door, mechanism door molding grill, complete, (original)849.95
 C9670 68-72 GRILLE - wiper door, reconditioned199.95
 B9689 68-82 GROMMET - wiper motor mount, w/sleeve & screw6.75
 C9661 68-72 KNOB - wiper over ride switch16.95



C2132 68-72 KNOB - wiper switch6.40
 C2134 73-77 KNOB - wiper switch6.20
 C9642 78-82 KNOB - wiper switch, has arrow for delay14.90
 C9683 68 LINKAGE - windshield wiper door, w/ 1/4-20 stud, reconditioned163.95
 C9690 69-72 LINKAGE - windshield wiper door, w/ 5/16-20 stud, reconditioned295.00
 C4979 68-82 MANUAL - headlight & wiper vacuum system trouble shooting, complete step-by-step diagnostic guide11.50
 C9675 68 MOLDING - windshield wiper door195.00
 C9673 69-72 MOLDING - windshield wiper door, original ..163.95
 C9649 68 NUT - wiper door actuator rod, LH/RH threads, (1/4" both ends)12.95
 C9597 68L-69E NUT - wiper door actuator rod, 5/16 RH & 1/4 LH thread16.95
 C9650 69-72 NUT - wiper door actuator rod, LH/RH threads, (5/16" both ends)12.75
 C9727 68-72 REINFORCEMENT - wiper door control, (3 req.) (ea)5.95



C4918 68-72 RELAY - wiper door actuator solenoid valve, on inner fender72.25

C9645 68-72 REPAIR KIT - deluxe, windshield wiper door linkage, (16 rivets & 32 bushings)52.70
 C9674 68-72 REPAIR KIT - windshield wiper door (8 bushings, 4 long bolts), mounts wiper door to linkage23.00
 C9634 68-72 REPAIR KIT - windshield wiper door linkage, (1 rivet & 2 bushings)3.40
 C9631 68-72 SCREW SET - linkage, wiper grille to wiper door, fastens w/special undersize fillister head, (8 pc.)26.75
 C3497 68-82 SCREW SET - windshield molding on fender top, outer, (2 pc.)2.40
 C3431 68-72 SCREW SET - wiper door grille, (8 pc.)3.95
 C9658 69L-72 SEAL - wiper actuator rod, on actuator11.35
 C9728 69L-72 SEAL KIT - wiper actuator, plug, boot & seal21.10
 C9617 68-72 SHIM - windshield wiper door actuator3.75
 C9669 68-72 SOLENOID/VALVE - wiper door on rear of tachometer105.00
 C9621 68-72 SWITCH - wiper door limiting, on firewall, micro type (w/o harness)35.95
 C8642 68-72 SWITCH/VALVE - wiper door vacuum on firewall24.95

NOTE: Switch C8642 mounts near RH wiper arm. It releases the vacuum when wipers are turned on and acts as a wiper door safety switch.

Windshield Wiper Motor & Related

B9689 68-82 GROMMET W/SCREW & SLEEVE - wiper motor mount6.75
 C9729 68-82 NUT SET - wiper motor mounting to fasteners, (3 pc.)1.50
 C9620 68-74 REPAIR KIT - washer pump, 3 port pump8.00
 B9685 68-82 SEAL - wiper motor, rear drive/transmission ..5.45
 B2928 68-82 SEAL - wiper motor, to firewall3.95
 C9622 68-82 SWITCH - park solenoid, (install in motor) ..49.95
 C8632 68-76 SWITCH - windshield wiper, on center dash45.00
 C3000 77 SWITCH - windshield wiper, w/T & T199.95
 C8640 70-72 SWITCH - windshield wiper override20.95
 C9590 75-82 SWITCH & TERMINAL BOARD - wiper motor48.45
 C9636 68 WINDSHIELD WIPER MOTOR & PUMP - restored, exchange229.95
 C9637 69-72 WINDSHIELD WIPER MOTOR & PUMP - restored, exchange229.95
 C9641 73 WINDSHIELD WIPER MOTOR & PUMP - restored, exchange229.95
 C9623 74 WINDSHIELD WIPER MOTOR & PUMP - restored, exchange229.95
 C9672 75-82 WINDSHIELD WIPER MOTOR & PUMP - restored, exchange229.95
 C9560 68 WINDSHIELD WIPER MOTOR - restored w/o pump - outright, no core or exchange required ...214.95
 C9561 69-72 WINDSHIELD WIPER MOTOR - restored w/o pump - outright, no core or exchange required ...194.95
 C9562 73 WINDSHIELD WIPER MOTOR - restored w/o pump - outright, no core or exchange required ...194.95
 C9563 74-82 WINDSHIELD WIPER MOTOR - restored w/o pump - outright, no core or exchange required ...194.95

WIRE HARNESSSES, FLASHERS & FUSES

Air Conditioning System

B9942 68-74 GROUND WIRE - air conditioning compressor ...11.25
 C1080 75 GROUND WIRE - air conditioning compressor ...9.35
 C1081 76-79 GROUND WIRE - air conditioning compressor ...10.35
 C9946 68 HARNESS - air conditioning113.80
 C9947 69-70 HARNESS - air conditioning113.80
 C9949 71 HARNESS - air conditioning113.80
 C9950 72-73 HARNESS - air conditioning249.00
 C9952 74 HARNESS - air conditioning188.35
 C9953 75 HARNESS - air conditioning188.35
 C9954 76 HARNESS - air conditioning155.20
 C9901 77E HARNESS - air conditioning, alarm switch in fender146.90
 C0027 77L HARNESS - air conditioning, alarm switch in door146.90
 C0075 78 HARNESS - air conditioning146.90
 C0076 79 HARNESS - air conditioning w/auxiliary radiator cooling fan146.90
 C0028 79 HARNESS - air conditioning w/o auxiliary radiator cooling fan146.90

Alarm System

C9775 70L-77 BEZEL - theft arm lock, stainless steel6.95
 B8648 74-82 FLASHER - anti-theft horn19.95
 C9902 68 HARNESS - alarm system81.75
 C9903 69-70 HARNESS - alarm system81.75

C1056 78E	HARNESS - dash main, 1st design, courtesy light timer located to the left of steering column964.35
C1057 77-78L	HARNESS - dash main, 2nd design, courtesy light timer located to the right of glove box964.35
C1058 79	HARNESS - dash main, all w/dome light delay, power windows, power door locks or pulse wipers959.50
C1059 79	HARNESS - dash main, all w/o dome light delay, power windows, power door locks or pulse wipers959.50
C1060 80	HARNESS - dash main, all w/automatic trans. 964.35
C1061 80	HARNESS - dash main, all w/manual trans. .964.35
Reconditioned harnesses are un-wrapped, completely inspected, professionally repaired as necessary and re-wrapped. This provides the customer with a clean, economical replacement.	
C1063 81	HARNESS - dash main, all w/manual trans., reconditioned889.95
C1064 82	HARNESS - dash main, reconditioned889.95
A2115 68-79	SHIELD - cigarette lighter light bulb11.40

Engine System

C7880 68-82	CLIP - starter solenoid wires to solenoid ...20.25
C0079 68-71	CONVERSION KIT - transistorized ignition, all terminals & connectors w/instructions, as used by factory to install TI8.45
C0423 68-71	EXTENSION WIRE - transistorized ignition (from ignition switch to transistor ignition auxiliary harness)14.50
C9983 68	HARNESS - engine, all transmissions188.35
C9912 68	HARNESS - TI ignition auxiliary for amplifier box, w/integral external harness .127.00
C0035 68E	HARNESS - TI ignition auxiliary for amplifier box, w/o integral external harness 107.60
B9959 68E	HARNESS - TI amplifier box extension35.20
C2898 68-72	GROMMET - engine harness, TI/vacuum line (in radiator support)3.25
C0033 68L-71	HARNESS - TI box extension, w/retainer43.45
NOTE: Part #C0033 harness allows you to replace your worn-out amplifier box extension.	
C9913 69	HARNESS - engine, all transmissions188.35
C9985 69-71	HARNESS - TI ignition auxiliary127.00
C9986 70	HARNESS - engine / ignition, automatic transmission, all188.35
C9914 70	HARNESS - engine / ignition, manual transmission, all188.35
C9988 71	HARNESS - engine / ignition, automatic transmission, all188.35
C9987 71	HARNESS - engine / ignition, manual transmission, all188.35
C9916 72	HARNESS - engine / ignition, 350, auto transmission188.35
C9915 72	HARNESS - engine / ignition, 350, manual transmission188.35
C9918 72	HARNESS - engine / ignition, 454, auto transmission188.35
C9917 72	HARNESS - engine / ignition, 454, manual transmission188.35
C9920 73	HARNESS - engine / ignition, 350, auto transmission188.35
C9919 73	HARNESS - engine / ignition, 350, manual transmission188.35
C9922 73	HARNESS - engine / ignition, 454, auto transmission188.35
C9921 73	HARNESS - engine / ignition, 454, manual transmission188.35
C9924 74	HARNESS - engine / ignition, 350, auto transmission188.35
C9923 74	HARNESS - engine / ignition, 350, manual transmission188.35
C9926 74	HARNESS - engine / ignition, 454, auto transmission188.35
C9925 74	HARNESS - engine / ignition, 454, manual transmission188.35
C0050 75	HARNESS - engine / ignition, w/seat belt interlock, auto trans179.00
C0051 75	HARNESS - engine / ignition, w/o seat belt interlock, auto trans179.00
C0052 75	HARNESS - engine / ignition, w/seat belt interlock, manual trans179.00
C0053 75	HARNESS - engine / ignition, w/o seat belt interlock, manual trans179.00
C0077 76	HARNESS - engine / ignition, auto trans ...205.85
C0078 76	HARNESS - engine / ignition, manual trans .179.00
C0001 77E	HARNESS - engine / ignition, 1st design, automatic transmission188.35
C0036 77E	HARNESS - engine, 1st design, manual transmission188.35
C0002 77L	HARNESS - engine, 2nd design188.35
C0003 78	HARNESS - engine205.90
C0009 79	HARNESS - engine188.35

C1065 80	HARNESS - engine212.10
C1066 80	HARNESS - engine, California212.10
C1067 81	HARNESS - engine, w/automatic trans.212.10
C1068 81	HARNESS - engine, w/manual trans.212.10
C1069 82	HARNESS - engine195.00
A9917 68-70	LEAD WIRE - distributor to coil (in 1970 distributors #1111490, 1111493 only)9.00
C0043 70-74	LEAD WIRE - distributor to coil (in 1970 distributors #1111464, 1112020, 1112021, 1112050, 1112057 only)12.75
A2008 68-78	REPAIR KIT - engine harness, temperature sender wire (dark blue) w/terminal11.95
C0424 80-81	WIRE - oil pressure extension, engine harness to sending unit9.35

Gas Tank Sender

C1078 75-76	HARNESS - gas tank sending unit27.95
-------------	--

Ground Strap

C7120 68-70	GROUND STRAP KIT - all except side exhaust .26.00
C0080 69-71	GROUND STRAP SET - 1969 w/side exhaust, 1970/1 all19.70
C0082 73-74	GROUND STRAP SET - all19.70
C0083 75-77	GROUND STRAP SET - all19.70
C0084 78	GROUND STRAP SET - all w/power antenna22.80
C0085 78-80	GROUND STRAP SET - all w/o power antenna22.80
C0086 79-80	GROUND STRAP SET - all w/power antenna24.65
C0088 81-82	GROUND STRAP SET - all w/o power antenna22.80
C0087 81-82	GROUND STRAP SET - all w/power antenna22.80

Headlight & Forward Lamp System

C0972 68-71	BOOT & FERRULE KIT - dust, fiber optic, for attaching strand to lens, (2 - 1/2' boots & 2-ferrules)9.85
B0411 68-82	BOOT - positive terminal cover, rear of alternator wire harness4.60
B0407 68-82	BOOT - positive terminal cover, rear of alternator wire harness, with correct cross marking10.35
C4974 68-72	GROMMET - wire harness & vacuum lines, in radiator support3.80
C4700 68-74	GROMMET - wire harness, tach cable & oil line, 1' OD7.20
C9942 68-71	HARNESS - headlight (fiber optic sub assembly only)179.00
C9938 68	HARNESS - headlight, w/fiber optics290.00
C9939 69	HARNESS - headlight, w/fiber optics281.40
C9940 70	HARNESS - headlight, w/fiber optics281.40
C9941 71	HARNESS - headlight, w/fiber optics295.90
C9943 72	HARNESS - headlight main212.10
C1070 73	HARNESS - headlight main212.10
C9944 74	HARNESS - headlight main212.10
C9945 75	HARNESS - headlight main212.10
C1071 76	HARNESS - headlight main223.45
C0018 77E	HARNESS - headlight main212.10
C0019 77L-78	HARNESS - headlight main w/molded, black rubber connector on brake pressure warning switch212.10
C0022 78L-79	HARNESS - headlight main w/ cream colored plastic connector on brake pressure warning switch212.10
C1072 80	HARNESS - headlight main, w/stereo tape player255.55
C1073 80	HARNESS - headlight main, w/o stereo tape player255.55
C1074 81	HARNESS - headlight main, w/stereo tape player255.55
C1075 81	HARNESS - headlight main, w/o stereo tape player255.55
C1076 82	HARNESS - headlight main, w/stereo tape player255.55
C1077 82	HARNESS - headlight main, w/o stereo tape player255.55
C6068 70-77E	HARNESS SET - front parking lamp extension, (pr)46.55
C0010 77L-78	HARNESS SET - front parking lamp extension, (pr)26.90
C1079 79	HARNESS SET - front parking lamp/turn signal lamp extension, (pr)26.90
C0971 68-71	LENS KIT -amber, fiber optic, w/grommet, ferrule & boot to fit 1/2' hole23.90
C1912 68	PLATE - fiber optic trim23.75
C1914 69-71	PLATE - fiber optic trim23.75
C0970 68-71	REPAIR KIT - fiber optic strand14.40
C9948 68-71	SEAL SET - fiber optic bulbs, 4pc5.45

Heater

- L0241 BOOK - 'Wired For Success - Auto Electrical Made Easy' By Randy Rundle. Cut the expense and do it yourself with this easy-to-understand guide to fixing and maintaining your car's electrical system. Join restoration expert Randy Rundle as he takes you beneath the hood for a no-nonsense look at your car's 6 & 12 volt electrical innards. With this step-by-step book, you'll discover the best tools and techniques for the electrical maintenance of your automobile. Illustrated27.55
- C9979 75 HARNESS - heater, w/o AC48.65
- C9980 76 HARNESS - heater, w/o AC48.65
- C1083 77E HARNESS - heater, all w/o AC, 1st design, alarm switch in fender48.65
- C1084 77L HARNESS - heater, all w/o AC, 2nd design, alarm switch in door46.60
- C1086 78-79 HARNESS - heater, all w/o AC48.65
- C1085 77-82 HARNESS - heater/AC control panel lights13.45

Hood

- C0425 77-80 GROUND WIRE - under hood lamp9.35
- C9981 73-75 HARNESS - hood scoop air door16.60

Horn

- C9982 74-76 HARNESS - headlight harness to dual horn extension13.45
- C1087 82 HARNESS - headlight harness to horn extension, (2 req.) (ea)16.60

Map Light

- C9992 73-76 HARNESS - map light16.60

Miscellaneous

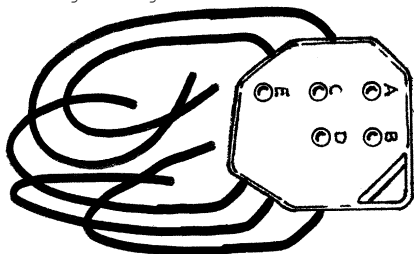
- C0021 77-82 CIRCUIT BOARD/PRINTED - small gauge cluster . 77.60
- A9961 68-82 HARNESS TAPE - non-adhesive, (roll)15.00
- A2008 68-78 INSULATION - temperature sender wire w/ terminal11.95
- C1916 68-71 LENS SET - fiber optic in dash front and rear, (pr)20.65

Power Antenna

- C1039 78E HARNESS - power antenna, radio to relay, all 1st design, courtesy lamp timer located to left of steering column19.70
- C1040 78L HARNESS - power antenna, radio to relay, all 2nd design, courtesy lamp timer located to right of glove box19.70
- C1090 79 HARNESS - power antenna, radio to antenna ...19.70
- C1089 79 HARNESS - power antenna, radio to relay19.70
- C1091 80-82 HARNESS - power antenna, radio to relay22.00

Power Door Lock

- C0094 78 HARNESS - power door lock, drivers door, all81.75
- C0095 78 HARNESS - power door lock, passengers door, all81.75
- C0096 78 HARNESS - power door lock, under dash, all 1st design w/courtesy lamp timer located to left of steering column81.75
- C0097 78 HARNESS - power door lock, under dash, all 2nd design w/courtesy lamp timer located to right of glove box81.75



- C0046 78-82 HARNESS - power door lock, repair switch terminal w/wires correctly color coded for easy installation, LH16.55
- C0047 78-82 HARNESS - power door lock, repair switch terminal w/wires correctly color coded for easy installation, RH16.55
- C0098 79 HARNESS - power door lock, drivers door, all (includes power window wiring)81.75
- C0099 79 HARNESS - power door lock, passengers door, all (includes power window wiring)81.75

- C0300 80-82 HARNESS - power door lock, drivers door, all (includes power window wiring)81.75
- C0301 80-82 HARNESS - power door lock, passengers door, all (incl. power window wiring)81.75
- C0302 81 HARNESS - power door lock adapter, under dash, all16.60
- C0303 82 HARNESS - power door lock adapter, under dash, all16.60

Power Mirror

- C1093 81-82 HARNESS - power mirrorCALL

Power Seat

- C1094 81 HARNESS - power seat, power supply feed19.70
- C1095 82 HARNESS - power seat, power supply feed19.70

Power Window Harness

- B4910 68-82 CONNECTOR - power window switch, installs on wire harness16.55
- C9907 68 HARNESS - power window149.00
- B9811 68-82 HARNESS - power window motor conversion / when installing a type '2' motor w/'t' configured terminals10.35
- A0120 68-82 HARNESS - power window motor conversion / when installing a type '3' style motor w/2 parallel terminals10.35
- C9908 69 HARNESS - power window145.00
- C0057 70-71 HARNESS - power window system145.00
- C0058 72-74 HARNESS - power window system145.00
- C9910 75 HARNESS - power window145.00
- C0081 76E HARNESS - power window , (built before 11/25/75)149.00
- C0089 76L HARNESS - power window system, (built after 11/25/75)149.00
- C0059 77E HARNESS - power window, w/alarm switch in fender149.00
- C9911 77L-78E HARNESS - power window, w/alarm switch in door149.00
- C0037 78L HARNESS - power window, w/courtesy lamp timer located to right of glove box149.00
- C0038 79-80 HARNESS - power window, drivers door, w/o power door locks54.85
- C0039 79-80 HARNESS - power window, passenger door, w/o power door locks54.85
- C0304 81 HARNESS - power window adapt. under dash, w/o power door locks16.60
- C0306 81-82 HARNESS - power window, drivers door, all w/o power door locks54.85
- C0307 81-82 HARNESS - power window, pass. door, all w/o power door locks54.85
- C0305 82 HARNESS - power window adapt. under dash, w/o power door locks16.60

Radio Speaker & Antenna

- C9993 74-76 HARNESS - front speakers to radio26.00
- C0159 77 HARNESS - front speakers to radio, monaural . 21.75
- C0160 77 HARNESS - front speakers to radio, stereo ...21.75
- C1038 78 HARNESS - speaker, radio to front & rear speakers40.35
- C0070 78-80 HARNESS - front speakers, all monaural radio or stereo radio w/front & rear speakers, radio to front speakers21.75
- C0071 78-80 HARNESS - front speakers, all w/stereo radio, w/front speakers only, radio to front speakers21.75
- C0072 79 HARNESS - rear speaker, radio to front & rear speakers38.30
- C0073 80 HARNESS - rear speaker, radio to rear speaker38.30
- C0074 81-82 HARNESS - rear speaker, RH, wiring rear lamp harness to right rear speaker16.60

Rear Body Lamp

- B9857 68-73 BOOT / RUBBER / ACCORDION - tail/stop/back-up lamps, (ea)19.30
- C9929 68 HARNESS - rear, w/fiber optics269.00
- C9932 68-69 HARNESS - rear, (fiber optic sub assembly only)135.55
- C9930 69 HARNESS - rear, w/fiber optics260.00
- C9933 70-71 HARNESS - rear, (fiber optic sub assembly only)158.15
- C9994 70-71 HARNESS - rear, w/fiber optics260.00
- C0090 71 HARNESS - rear, all w/alarm system, w/fiber optics260.00
- C9934 72 HARNESS - rear212.10
- C9935 73 HARNESS - rear212.10
- C9936 74 HARNESS - rear255.35
- C0040 75 HARNESS - rear, w/seat belt interlock255.35

C9937 75-76	HARNES - rear (75 w/o seat belt interlock, all 76l)	255.35
C1096 77E	HARNES - rear, all 1st design, alarm switch located in fender	255.35
C1097 77L	HARNES - rear, all 2nd design, alarm switch located in door	255.35
C1099 78	HARNES - rear, all w/o rear speakers	277.25
C1020 79	HARNES - rear, all w/rear window defogger	277.25
C1021 79	HARNES - rear, all w/o rear window defogger	277.25
C1022 80E	HARNES - rear, all w/rear window defogger, 1st design, separate defogger/relay timer	277.25
C1023 80L	HARNES - rear, all w/rear window defogger, 2nd design, internal defogger switch/relay/timer	277.25
C1024 80	HARNES - rear, all w/o rear window defogger	277.25
C1025 81	HARNES - rear, all w/rear window defogger	277.25
C1026 81	HARNES - rear, all w/o rear window defogger	277.25
C1028 82	HARNES - rear, all w/rear window defogger, except collector's edition	277.25
C1029 82	HARNES - rear, all w/o rear window defogger	277.25
C1027 82	HARNES - rear, all collector's edition	277.25
B6095 68-73	PIGTAIL - back-up light connector w/wire	11.00
A6036 68-73	PIGTAIL - tail light connector, turn/stop w/wires	11.50
C9948 68-71	SEAL SET - fiber optic bulbs, 4pc	5.45

Rear Window Defogger

C9995 68-73	HARNES - rear window defogger	53.80
C9996 74-75	HARNES - rear window defogger	53.80
C1030 76	HARNES - rear window defogger	53.80
C1031 77	HARNES - rear window defogger	53.80
C1032 78	HARNES - rear window defogger, all 1st design, courtesy lamp timer located to left of steering column	53.80
C1033 78	HARNES - rear window defogger, all 2nd design, courtesy lamp timer located to right of glove box	53.80
C1034 79	HARNES - rear window defogger	53.80
C1035 80E	HARNES - rear window defogger, all 1st design, separate defogger relay timer	53.80

Seat Belt Warning Light

C0426 69-71	WIRE - seat belt warning extension, gas gauge to warning light	9.35
C9955 72-73	HARNES - seat belt warning, 72 w/manual trans & buzzer, 73 all	41.40
C9956 74	HARNES - seat belt warning	48.65

Speaker

C1036 77	HARNES - speaker, monaural radio, wires radio to speakers	20.70
C1037 77	HARNES - speaker, stereo radio, wires radio to speakers	CALL

Speed Warning

C9957 68-69	HARNES - speed warning	17.60
-------------	------------------------------	-------

Starter Jumper

C9991 75-77E	HARNES - starter, solenoid extension, (75 w/o seat belt interlock)	13.45
C0092 77L-78	HARNES - starter jumper extension, w/AC	76.55
C0004 77L-78	HARNES - starter jumper extension, w/o AC	65.20
C0093 79	HARNES - starter jumper extension, w/o AC	76.55
C0006 79	HARNES - starter jumper w/AC, w/auxiliary radiator cooling fan	65.20
C0005 79	HARNES - starter jumper w/AC, w/o auxiliary radiator cooling fan	76.55
C0014 80	HARNES - starter jumper, all w/o L82	65.20
C0091 80	HARNES - starter jumper, w/L82	65.20
C0007 81	HARNES - starter motor solenoid, all	65.20
C0008 82	HARNES - starter motor solenoid, all	65.20

Temperature Control

C0045 70-74	HARNES - transmission control spark jumper	15.55
A0015 53-82	TAPE - wire harness, non-adhesive, 3/4' wide (100 ft. roll)	15.00

Transmission

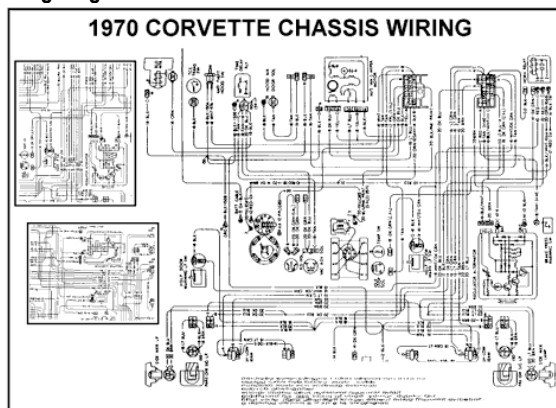
C0016 78	HARNES - back-up lamp switch, all w/L48 & manual trans.	16.60
C9997 68-69	HARNES - kick-down, automatic trans	23.80
C0017 76-77	HARNES - kick-down, automatic trans.	23.80

C9998 69-77E	HARNES - neutral safety switch to dash, w/manual trans., 77 1st design w/alarm switch in fender	13.45
C0023 77L	HARNES - neutral safety and back-up lamp switch extension, w/auto. trans., 2nd design, alarm switch located in door	26.90
C0024 78	HARNES - neutral safety and back-up lamp switch extension, w/manual trans.	26.90
C0048 79	HARNES - neutral safety and back-up lamp switch extension, w/manual trans.	13.45
C0049 80-81	HARNES - neutral safety and back-up lamp switch extension, w/manual trans.	13.45
C1050 80	HARNES - torque converter clutch, w/auto trans.	30.00
C1051 81	HARNES - torque converter clutch, w/auto trans.	31.05
C1052 82	HARNES - torque converter clutch, w/auto trans.	31.05

Windshield Wiper System

C0427 70	FIBER OPTIC LEAD - windshield washer monitor	11.40
C9900 70	HARNES - windshield washer monitor, all w/AC	11.40
C0428 70	HARNES - windshield washer monitor, all w/o AC	16.60

Wiring Diagrams



LAMINATED WIRING DIAGRAMS

All wiring diagrams are plastic laminated on both sides for ease of use and durability. Use them while working on your Corvette's electrical system. Oil and grease easily wipe off.

G0012 68	WIRING DIAGRAM - (17' x 22'), laminated	14.85
G0014 69	WIRING DIAGRAM - (17' x 22'), laminated	14.85
G0016 70	WIRING DIAGRAM - (17' x 22'), laminated	14.85
G0075 71	WIRING DIAGRAM - (17' x 22'), laminated	14.85
G0018 72	WIRING DIAGRAM - (17' x 22'), laminated	14.85
G0025 73	WIRING DIAGRAM - (17' x 22'), laminated	14.85
G0027 74	WIRING DIAGRAM - (17' x 22'), laminated	14.85
G0029 75	WIRING DIAGRAM - (17' x 22'), laminated	14.85
G0031 76	WIRING DIAGRAM - (17' x 22'), laminated	14.85
G0033 77	WIRING DIAGRAM - (17' x 22'), laminated	14.85
G0035 78	WIRING DIAGRAM - (17' x 22'), laminated	14.85
G0037 79	WIRING DIAGRAM - (17' x 22'), laminated	14.85
G0039 80	WIRING DIAGRAM - (17' x 22'), laminated	14.85
G0041 81	WIRING DIAGRAM - (17' x 22'), laminated	14.85
G0043 82	WIRING DIAGRAM - (17' x 22'), laminated	14.85

ORDER BY PHONE:

1-800-872-2446



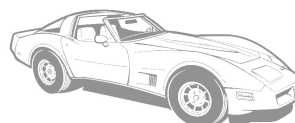
ORDER BY FAX:

708-458-2662



TECHNICAL QUESTIONS:

708-458-2500



CUSTOMER SERVICE:

708-458-6577

QUESTIONS ABOUT YOUR ORDER:

708-458-2500

ORDER FORM

PLEASE PRINT

See "Ordering Information and Policies" (inside back cover)

Customer # _____ Date _____

SOLD TO:

NAME _____
 ADDRESS _____
 CITY _____ STATE _____ ZIP _____ COUNTRY _____

SHIP TO: _____ Residential Delivery _____ Business Delivery

NAME _____
 ADDRESS _____
 CITY _____ STATE _____ ZIP _____ COUNTRY _____

PHONE: Daytime (work) number
 (_____) _____
 Home Number
 (_____) _____

CHECK ONE: Ship my order now, and ship any back ordered items when available.
 Ship my order only when all items are available.

If you need additional order forms, please photocopy this order form or list additional items on a blank sheet of paper. Please provide the pertinent information required on this page.

Model Year:	<input type="checkbox"/> Coupe <input type="checkbox"/> Conv. <input type="checkbox"/> Other	<input type="checkbox"/> Auto <input type="checkbox"/> 3-Spd. <input type="checkbox"/> 4-Spd.	Engine Size (cu. in.)	H/P:
Trim Tag (Code No.)	Interior Color (Code No.)	Exterior Color	Options <input type="checkbox"/> A/C <input type="checkbox"/> PB <input type="checkbox"/> P/S <input type="checkbox"/> P/W	<input type="checkbox"/> Personal Check <input type="checkbox"/> Company Check <input type="checkbox"/> Money Order <input type="checkbox"/> C.O.D. - \$7.00 fee <small>(C.O.D. cash no longer accepted by U.P.S Driver)</small>
CREDIT CARD (check one): <input type="checkbox"/> Visa <input type="checkbox"/> Master Card <input type="checkbox"/> Discover				
CARD NUMBER: _____				
EXPIRATION DATE: _____				
NAME ON CARD				
AUTHORIZED SIGNATURE				

Quantity	Part #	Full Description	Page	Price	Total
	G0305	Gift Certificate - Name of Recipient: _____	- - -		
- - - -	- - - -	Circle Catalog Desired (A - 53-62) (B - 63-67) (C - 68-82)	- - -	FREE	FREE



MAIL or FAX to:

CHICAGO CORVETTE

7322 S. Archer Rd. Justice, IL 60458
 Fax: (708) 458-2662

For more information, visit us online at www.ChicagoCorvette.net

Sub Total (No minimum order)	
** Express Service \$5.00	
Handling	3.95
* Shipping - 10% or minimum \$5.00	
Illinois Residents - add 7.75% sales tax	
C.O.D. \$7.00	
Order Total	

*Call for a shipping quote if you are pre-paying (check or money order) on orders with oversized or extra heavy items (rear ends, trailing arms, large fiberglass parts, etc.)
 ** Products in stock will ship the next working day after the order is received. Check "Ship my order now" box above.

TECH. QUESTIONS: (708) 458-6577 (Mon.-Fri. only) **ORDERS ONLY:** (non 312, 630, 708, 773, 847 area codes): 1-800-872-2446
ORDERS (local): (708) 458-2500 FAX: (708) 458-2662

PHONE SALES HOURS: Monday – Friday: 8 AM – 6PM (CST) Saturday: 9 AM – 2 PM (CST) Closed Sundays and Holidays
 Not responsible for typographical errors or omissions. All prices and part numbers subject to change without notice. See "Ordering Information and Policies" for more info.